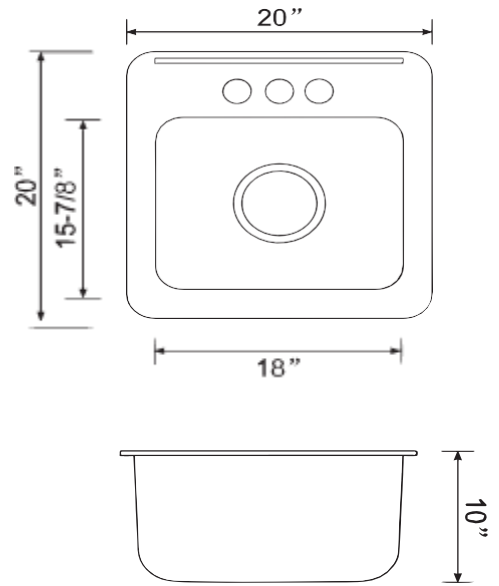


ONEX[®]

STAINLESS STEEL SINKS



MODEL OD2020-10 3H

OVERALL SIZE	508 mm X 508 mm 20" X 20"
BOWL SIZE	456 mm X 404 mm 18" X 15-7/8"
DEPTH	10"

- 304 brushed finish stainless steel 18 gauge
- Stainless steel strainer, clips and template included
- Sound deadening pads
- Drain located towards rear to provide more space under the sink
- Product certified ASME A112.19.3, CSA B45.0, and CSA B45.4