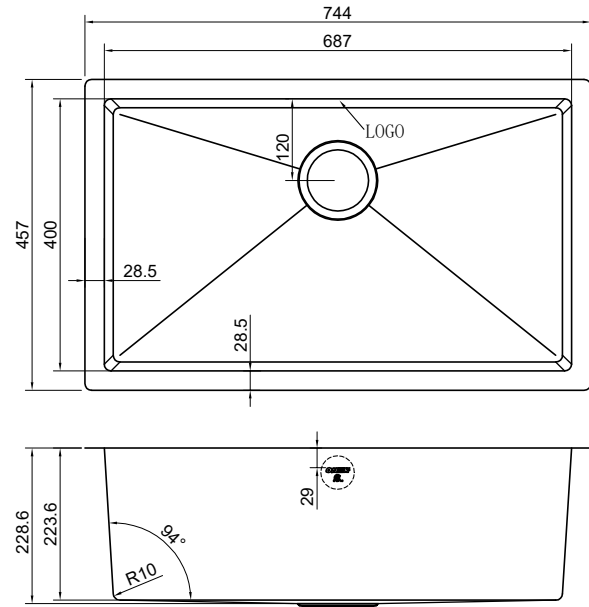


ONEX[®]

STAINLESS STEEL SINKS



MODEL OU3018-SQR-R10

OVERALL SIZE	744 mm X 457 mm	<ul style="list-style-type: none"> • 304 brushed finish stainless steel 18 gauge • Stainless steel strainer, clips and template included • Sound deadening pads • Drain located towards rear to provide more space under the sink • Product certified ASME A112.19.3, CSA B45.0, and CSA B45.4
	29.29" X 18"	
BOWL SIZE	687 mm X 400 mm	
	27" X 16"	
DEPTH	228.6 mm / 9"	