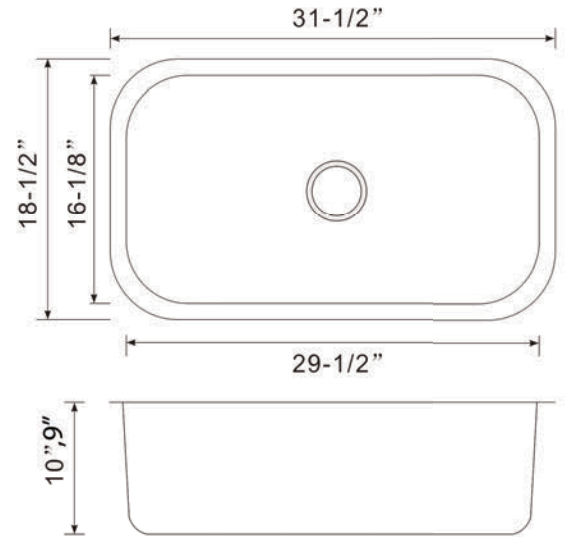


ONEX[®]

STAINLESS STEEL SINKS



MODEL OUS3118-10

<p>OVERALL SIZE</p> <p>787 mm X 457.2 mm</p> <p>31-1/2" X 18-1/2"</p>	<ul style="list-style-type: none"> • 304 brushed finish stainless steel 18 gauge • Stainless steel strainer, clips and template included • Sound deadening pads • Drain located towards rear to provide more space under the sink • Product certified ASME A112.19.3, CSA B45.0, and CSA B45.4
<p>BOWL SIZE</p> <p>635 mm X 749 mm</p> <p>16" X 29-1/2"</p>	
<p>DEPTH</p> <p>254 mm /10"</p>	