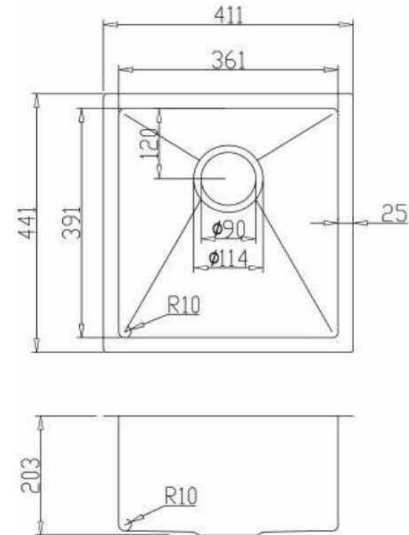


ONEX[®]

STAINLESS STEEL SINKS



MODEL OUS1816-SQR

OVERALL SIZE	441 mm X 411 mm 17-3/8" X 16-1/8"
BOWL SIZE	391 mm X 361 mm 15-3/8" X 14-1/4"
DEPTH	203 mm 8"

- 304 brushed finish stainless steel 18 gauge
- Stainless steel strainer, clips and template included
- Sound deadening pads
- Drain located towards rear to provide more space under the sink
- Product certified ASME A112.19.3, CSA B45.0, and CSA B45.4