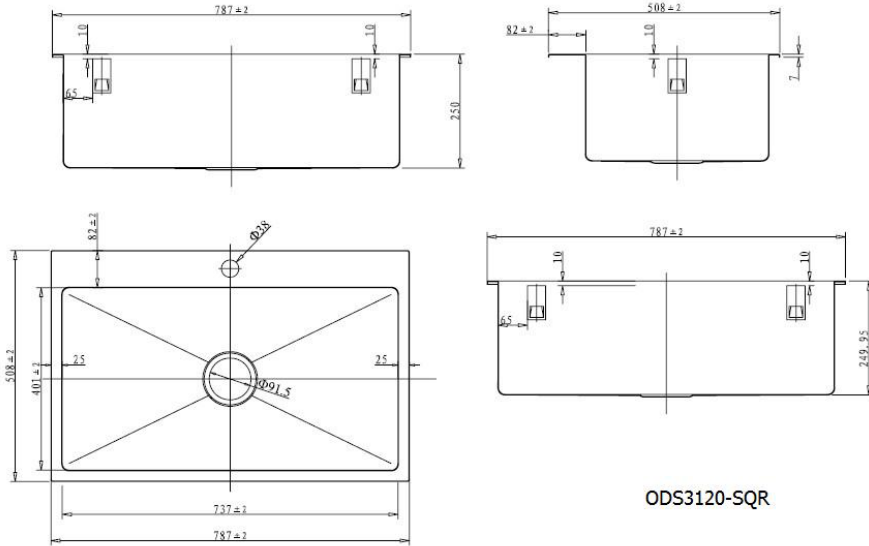


ONEX[®]

STAINLESS STEEL SINKS



ODS3120-SQR



MODEL ODS3120-SQR

OVERALL SIZE	787mm X 508mm	<ul style="list-style-type: none"> • 304 brushed finish stainless steel 18 gauge • Stainless steel strainer, clips and template included • Sound deadening pads • Drain located towards rear to provide more space under the sink • Product certified ASME A112.19.3, CSA B45.0, and CSA B45.4
	31" X 20"	
BOWL SIZE	737mm X 400mm	
	29" X 16"	
DEPTH	10"	