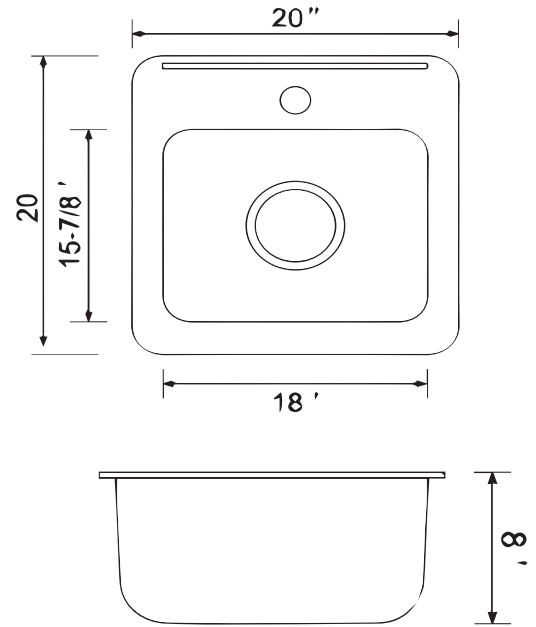


ONEX[®]

STAINLESS STEEL SINKS



MODEL OD2020-8 1H

OVERALL SIZE	510 mm X 510 mm	<ul style="list-style-type: none"> • 304 brushed finish stainless steel 18 gauge • Stainless steel strainer, clips and template included • Sound deadening pads • Drain located towards rear to provide more space under the sink • Product certified ASME A112.19.3, CSA B45.0, and CSA B45.4
	20" X 20"	
BOWL SIZE	460 mm X 406 mm	
	18" X 15.7/8"	
DEPTH	203.2mm / 8"	