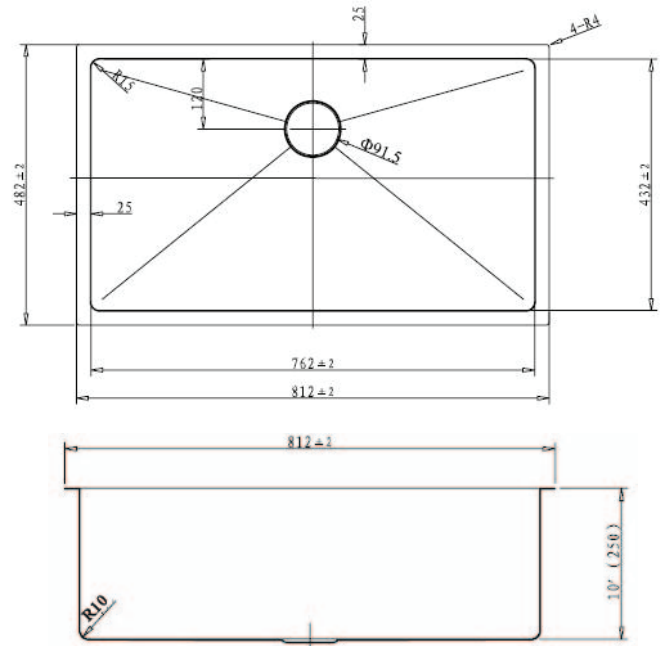


# ONEX<sup>®</sup>

STAINLESS STEEL SINKS



## MODEL OUS3219-SQR

<b>OVERALL SIZE</b>	812 mm X 482 mm 32" X 19"
<b>BOWL SIZE</b>	762 mm X 432 mm 30" X 17"
<b>DEPTH</b>	254 mm / 10"

- 304 brushed finish stainless steel 18 gauge
- Stainless steel strainer, clips and template included
- Sound deadening pads
- Drain located towards rear to provide more space under the sink
- Product certified ASME A112.19.3, CSA B45.0, and CSA B45.4