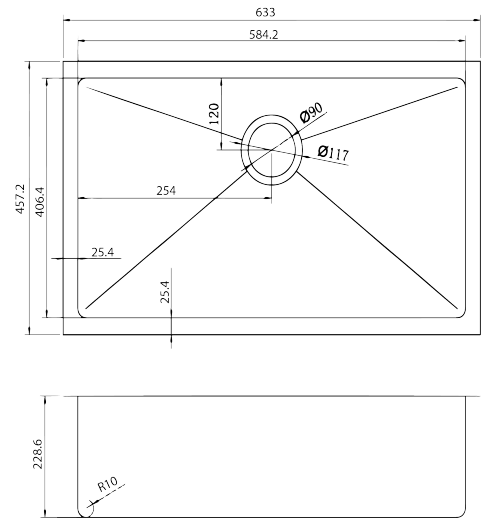


ONEX[®]

STAINLESS STEEL SINKS



MODEL OUS2518-SQR R10

OVERALL SIZE	633 mm X 457.2 mm	<ul style="list-style-type: none"> • 304 brushed finish stainless steel 18 gauge • Stainless steel strainer, clips and template included • Sound deadening pads • Drain located towards rear to provide more space under the sink • Product certified ASME A112.19.3, CSA B45.0, and CSA B45.4
	25" X 18"	
BOWL SIZE	584.2 mm X 406.4 mm	
	23" X 16"	
DEPTH	228.6 mm / 9"	