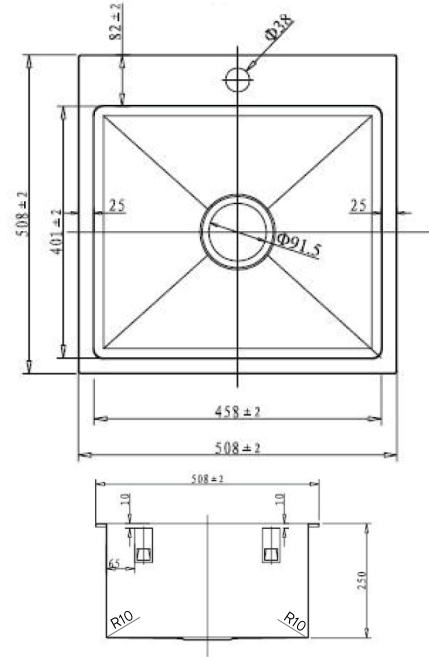


ONEX[®]

STAINLESS STEEL SINKS



MODEL OD2020-SQR R10

OVERALL SIZE
508mm X 508 mm
20" X 20"

BOWL SIZE
460 mm X 410 mm
18" X 15.78"

DEPTH
250 mm / 10"

- 304 brushed finish stainless steel 18 gauge
- Stainless steel strainer, clips and template included
- Sound deadening pads
- Drain located towards rear to provide more space under the sink
- Product certified ASME A112.19.3, CSA B45.0, and CSA B45.4