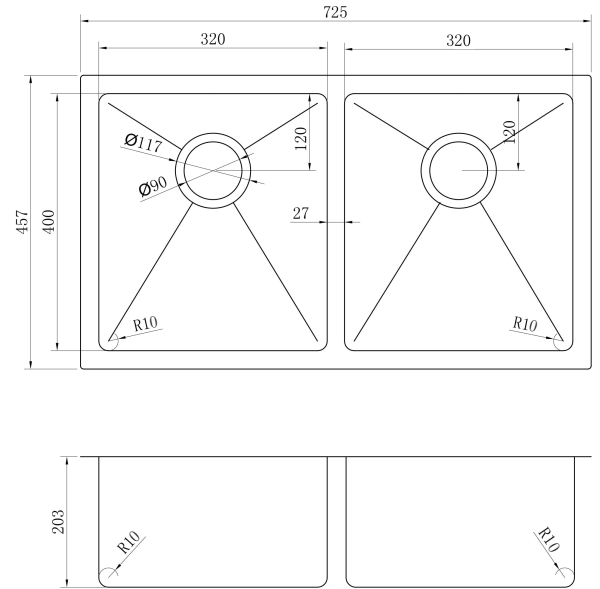


# ONEX<sup>®</sup>

STAINLESS STEEL SINKS



## MODEL OU2918-SQR R10

<b>OVERALL SIZE</b>	725 mm X 457 mm	<ul style="list-style-type: none"> <li>• 304 brushed finish stainless steel 18 gauge</li> <li>• Stainless steel strainer, clips and template included</li> <li>• Sound deadening pads</li> <li>• Drain located towards rear to provide more space under the sink</li> <li>• Product certified ASME A112.19.3, CSA B45.0, and CSA B45.4</li> </ul>
<b>BOWL SIZE</b>	28.54" X 18"	
<b>BOWL SIZE</b>	320 mm X 400 mm / 320 mm X 400 mm	
<b>DEPTH</b>	12.6" X 15.75" / 12.6" X 15.75"	
<b>DEPTH</b>	203 mm / 8"	