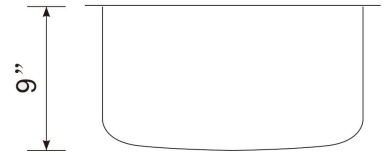
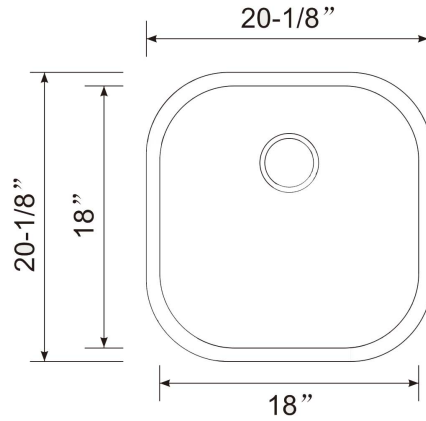


ONEX[®]

STAINLESS STEEL SINKS



MODEL OUS2020-9

<p>OVERALL SIZE</p> <p>510 mm X 510 mm</p> <p>20-1/8" X 20-1/8"</p>	<ul style="list-style-type: none"> • 304 brushed finish stainless steel 18 gauge • Stainless steel strainer, clips and template included • Sound deadening pads • Drain located towards rear to provide more space under the sink • Product certified ASME A112.19.3, CSA B45.0, and CSA B45.4
<p>BOWL SIZE</p> <p>457 mm X 457 mm</p> <p>18" X 18"</p>	
<p>DEPTH</p> <p>228.6 mm / 9"</p>	