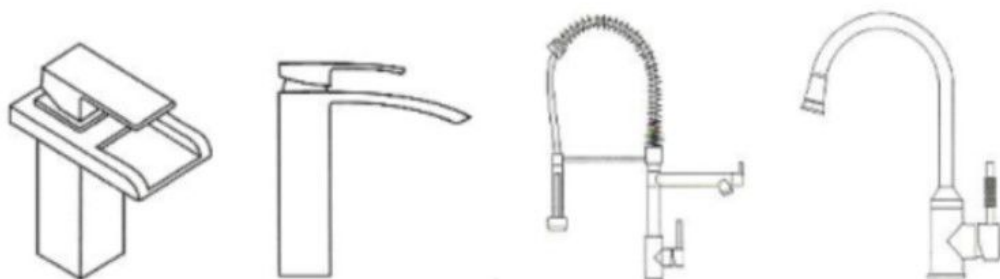


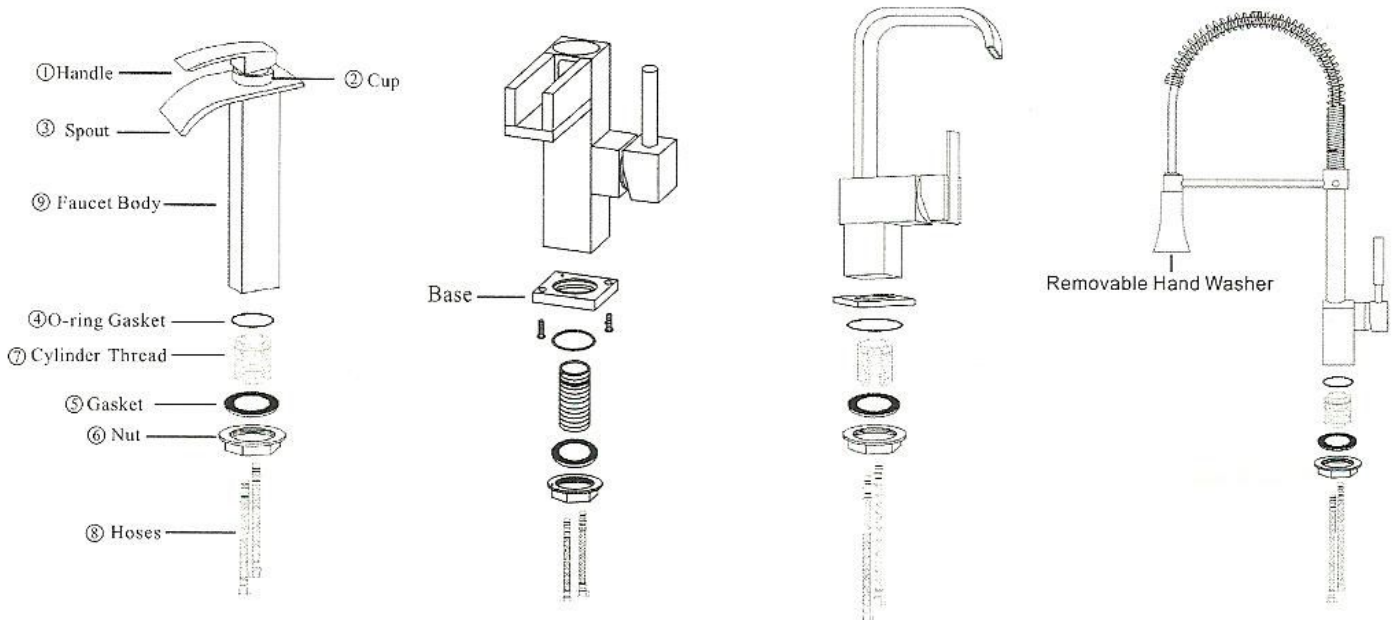
Basin & Kitchen Faucet Instruction Paper

Enjoy the water



Basin&Kitchen Faucet Installation (I)

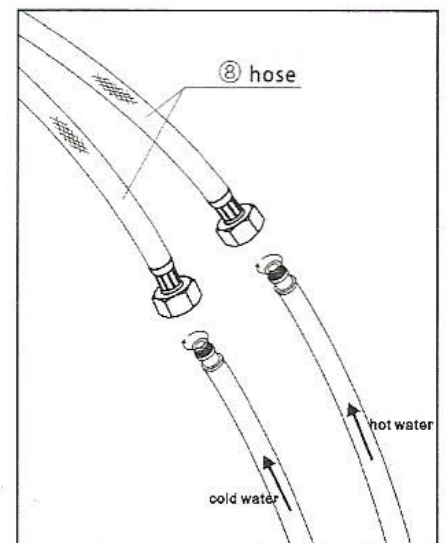
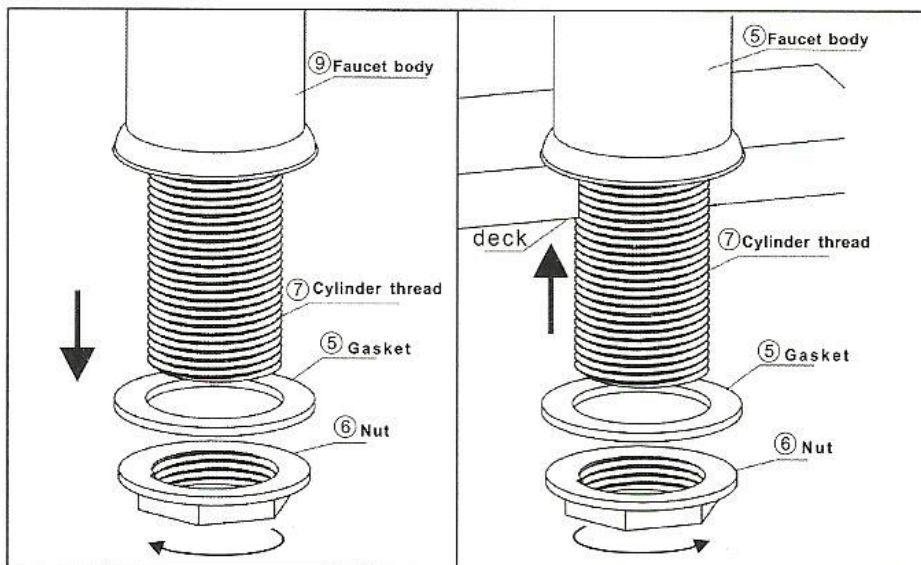
Spare parts list:



Installation Procedure

1. Put apart gasket (5) and nut (6) from cylinder thread (7) of faucet. And then, install the faucet body (9) on the deck according to figure.

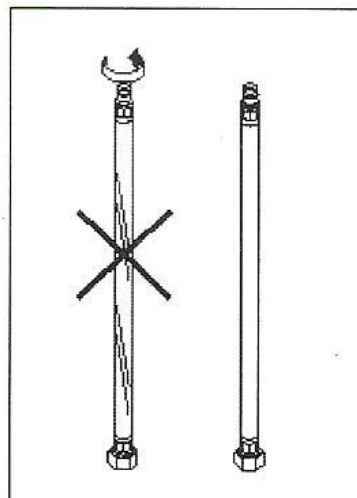
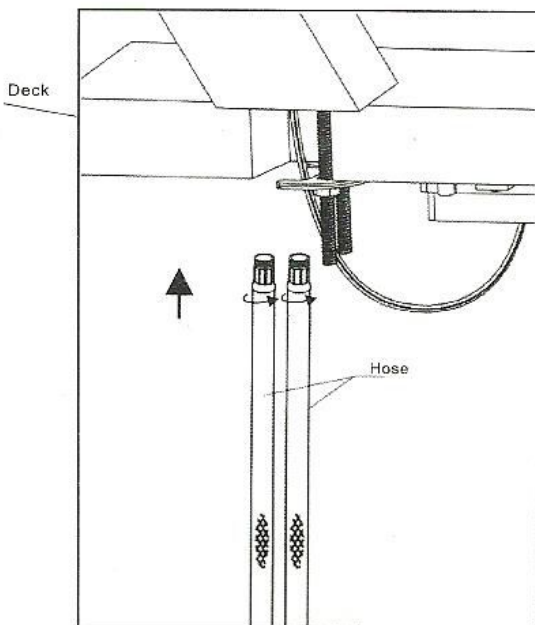
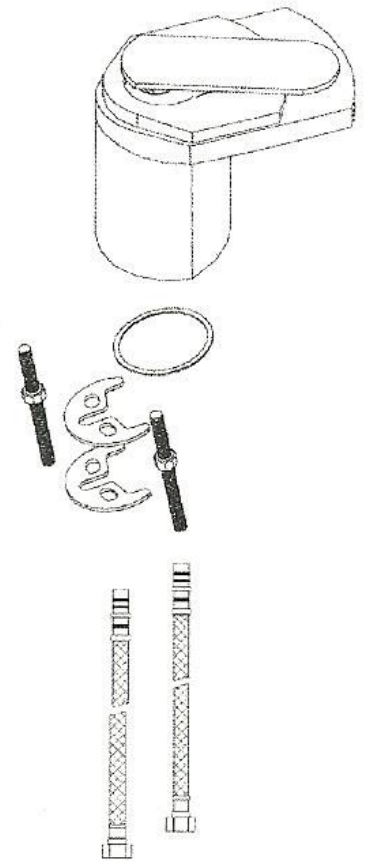
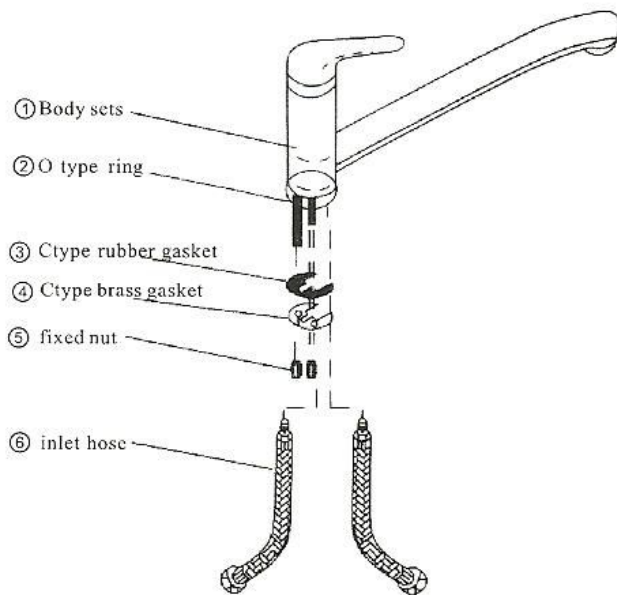
2. Eliminate any dirt in lines first. And then, connect two 50cm hoses (8) with the water supply lines (not provided)



Note: Don't allow the supply hoses (8) to twist.

● Basin&Kitchen Faucet Installation(II)

1. Before installing the faucet, flush lines to eliminate any dirt that may have accumulated in the pipes.
2. Put the O-ring on the counter.
3. Screw the fixing rod on the body.
4. Put the rubber gasket and stainless gasket on the fixing rod.
5. Fix the screw nut.
6. Screw the hose on the faucet body.

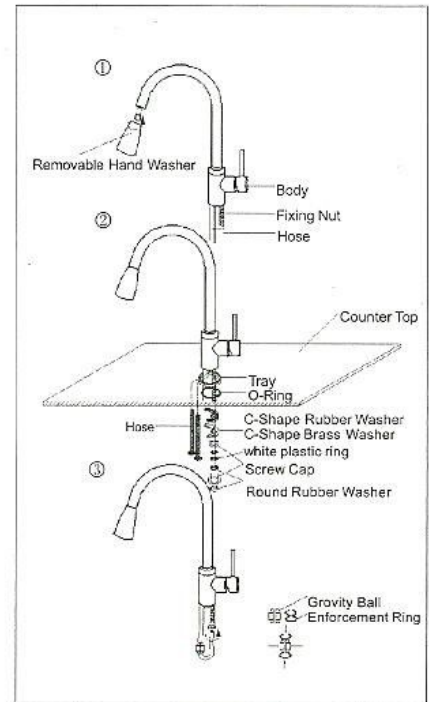
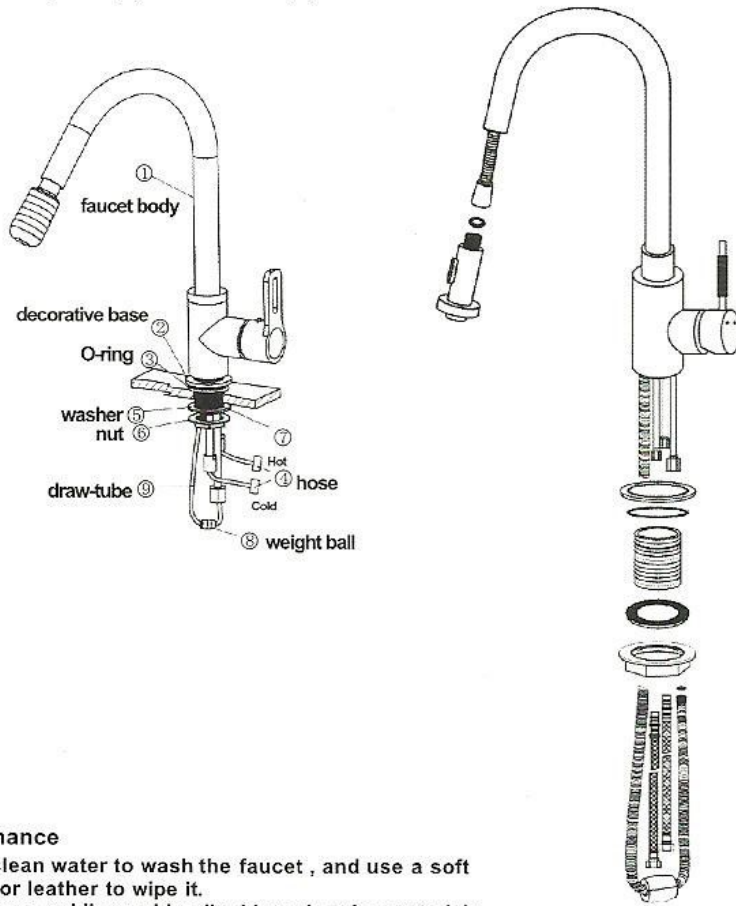


Tips :

1. Before installation, please make sure none of dirt in the pipes to prevent faucet jam.
2. After installation, please check leakage cases for all connects, don't allow the supply hoses to twist.

Pull-out/spray Kitchen Faucet Installation (III)

1. Put the decorative base (2) and O-ring (3) through the thread pipe (7) and close to the faucet bottom
2. Put the faucet thread pipe (7) part into the deck hole, screw it with washer (5) and nut (6).
3. Screw the cold and hot hose (4) with the faucet body and connecting the end of the hoses to the connector of water supply system .
4. Hang the weight ball (8) in the draw-tube (9) .



Maintenance

- Use clean water to wash the faucet , and use a soft cloth or leather to wipe it.
- Don't use acidic washing liquid or abrasive materials to wash the faucet.

Trouble Shooting

If you've followed the instructions carefully and your faucet still doesn't work properly, take these corrective steps

Problem	Cause	Action
Leaks	<ol style="list-style-type: none"> 1. Cartridge or parts has come loose. 2. O-ring is dirty or damaged 	<ol style="list-style-type: none"> 1.Re-install the cartridge or tighten the retainer nut 2. Clean or replace O-ring
The flow of water reduces	Filter, pipes or hoses are dirty.	Remove and clean the dirty parts.