

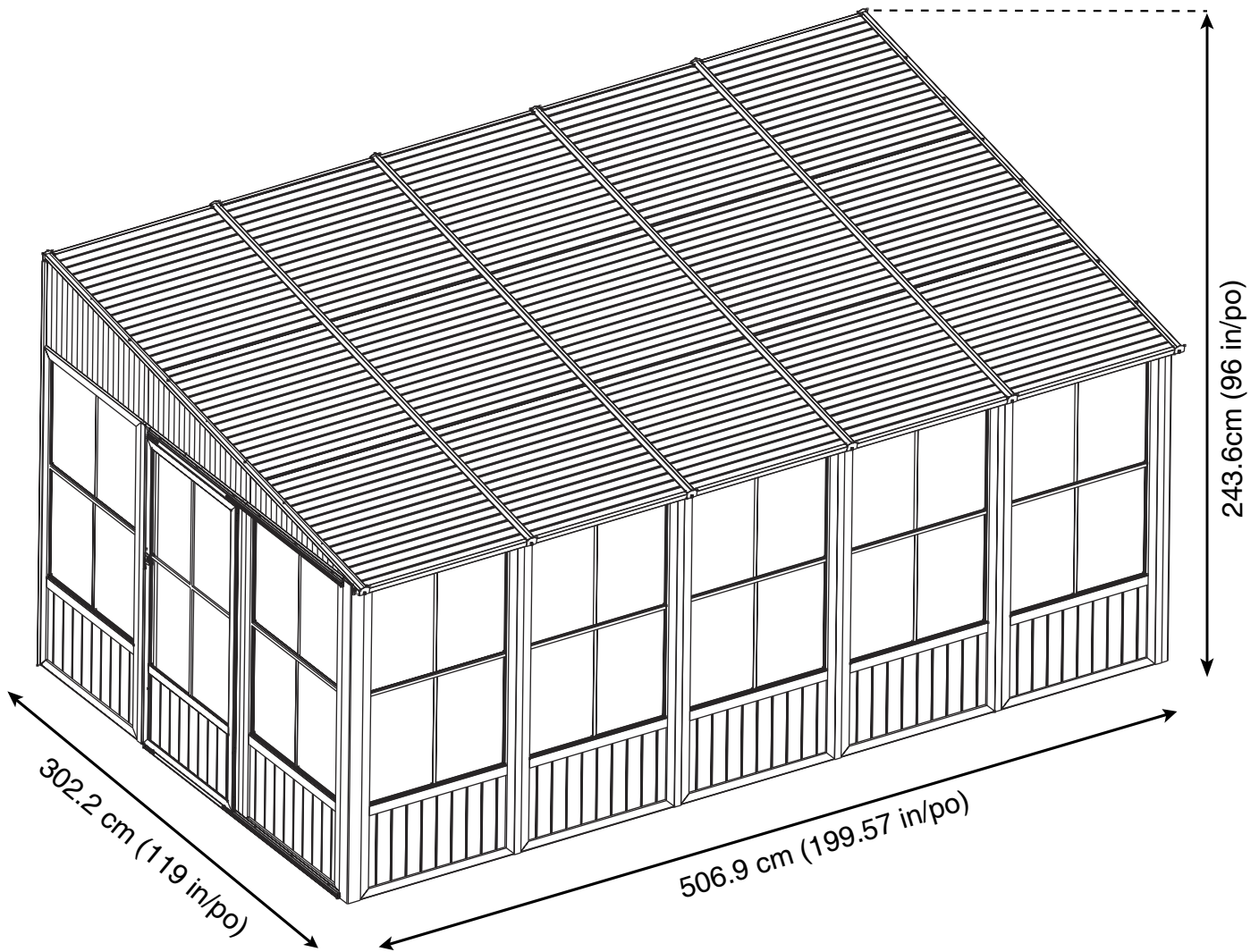
SOJAG

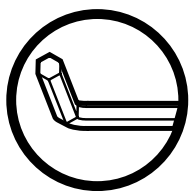
produits saisonniers • seasonal products



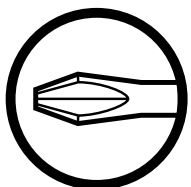
QUESTIONS? 1 866-901-1649

Assembly Manual / Guide d'assemblage / Manual de ensamblaje / 조립설명서 / Montageanleitung

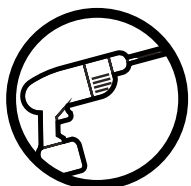




Use the hex keys in the box. / Utilisez les clés hexagonales fournies dans la boîte. / Utilice las llaves hexagonales en la caja. / 상자에 육각 키를 사용 하십시오. / Verwenden Sie die Sechskantschlüssel in der Box.



Please use a Phillips screwdriver. / Utilisez un tournevis de type Phillips / Por favor, use un destornillador Phillips. / 십자 드라이버를 사용 하십시오. / Bitte verwenden Sie einen Kreuzschraubenzieher.



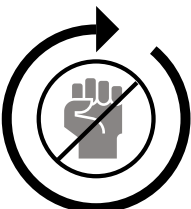
You may need to use a drill for this step. / Vous pouvez avoir besoin d'utiliser une perceuse pour cette étape. / Puede que tenga que utilizar un taladro para este paso. / 이 단계에선 드릴을 사용해야 할 수도 있습니다. / Für diesen Schritt können Sie einen Bohrer verwenden.



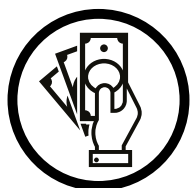
Wearing protective gloves is recommended. / Le port de gants de protection est recommandé / El uso de guantes de protección se recomienda. / 보호 장갑을 착용 하는 것이 좋습니다. / Das Tragen von Schutzhandschuhen wird empfohlen.



Two or more people are required at this stage. / Deux personnes ou plus sont nécessaires à cette étape. / Dos o más personas se requieren en esta etapa. / 이 단계에서는 두 명 이상이 필요합니다. / Für diesen Bauschritt sind 2 oder mehr Personen erforderlich.

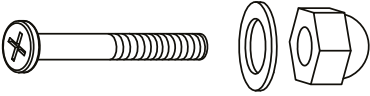


Do not tighten screws all the way for now. / Ne pas visser fermement pour l'instant. / No atornille con firmeza por ahora. / 아직 나사를 단단히 조이지 마십시오. / Bitte die Schrauben zum jetzigen Zeitpunkt noch nicht fest anziehen.

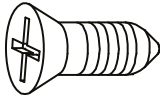


Sold separately. / Vendus séparément. / vendido en las opciones. / 옵션 판매 / Optional erhältlich

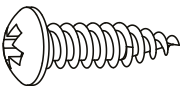
Ha X 24 (+2)



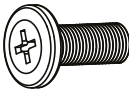
Hb X 16 (+3)



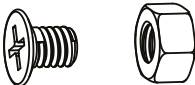
Hc X 26 (+4)



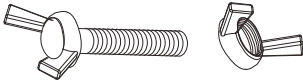
Hd X 60 (+5)



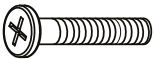
He X 30 (+3)



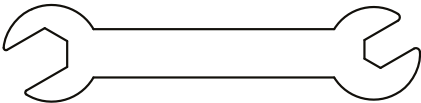
Hf X 2 (+1)



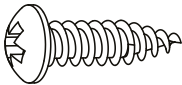
Hg X 28 (+3)

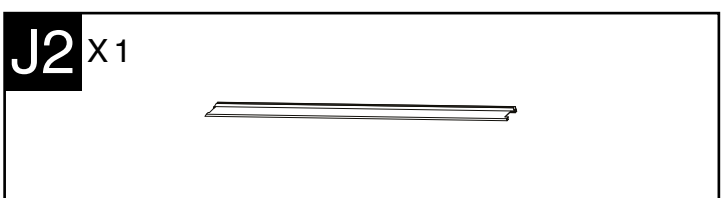
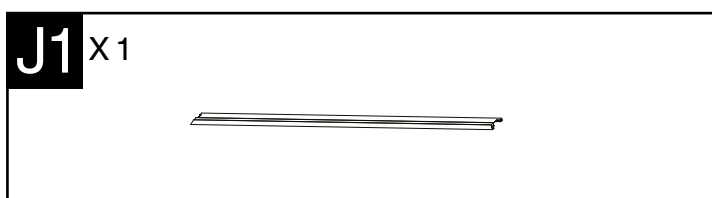
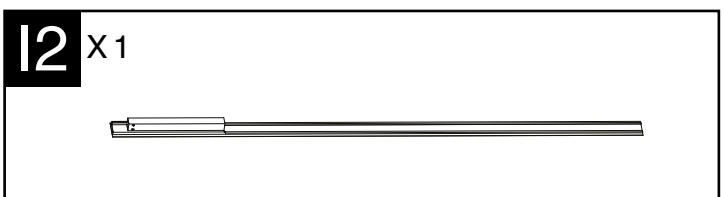
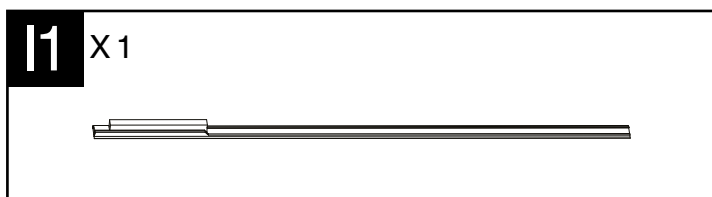
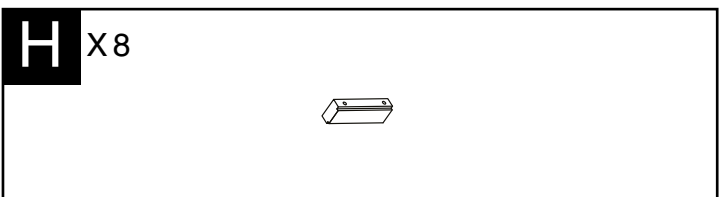
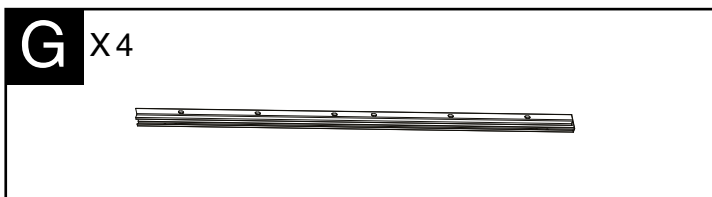
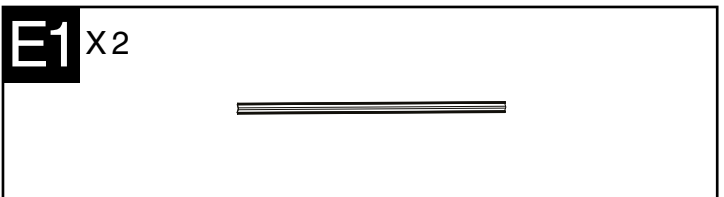
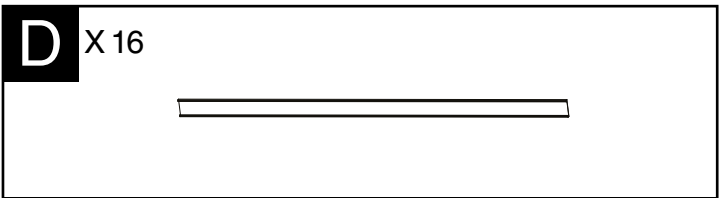
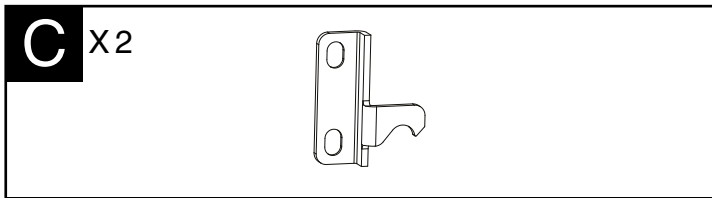
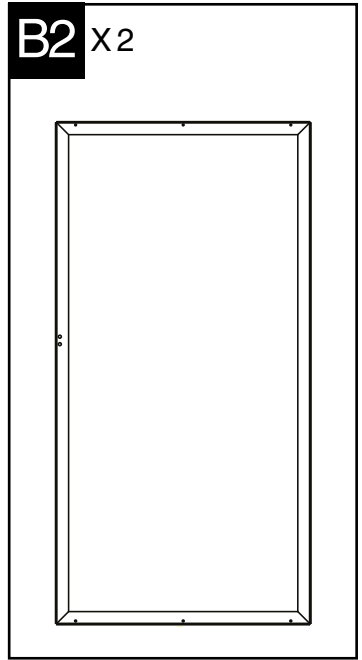
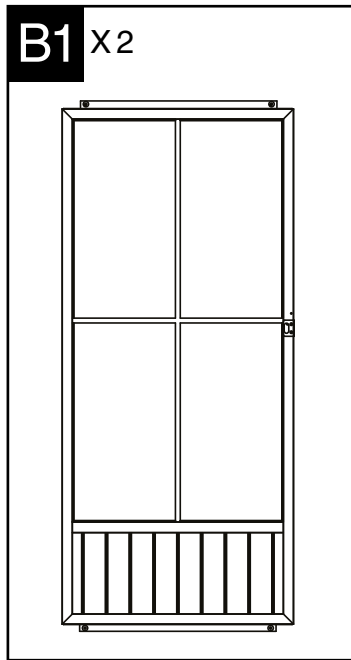
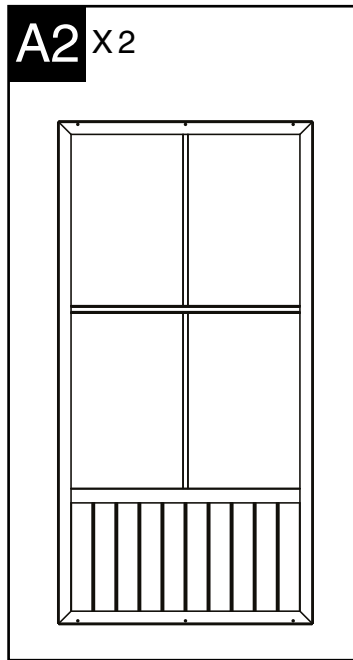
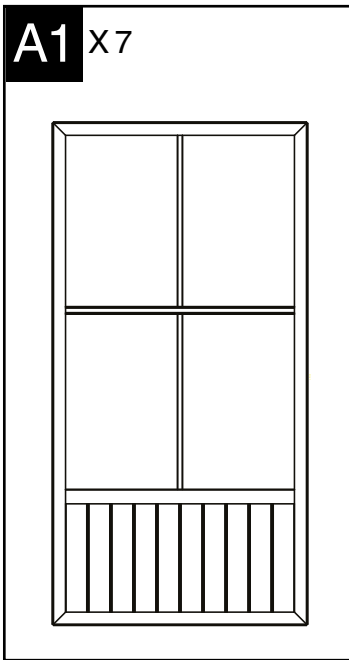


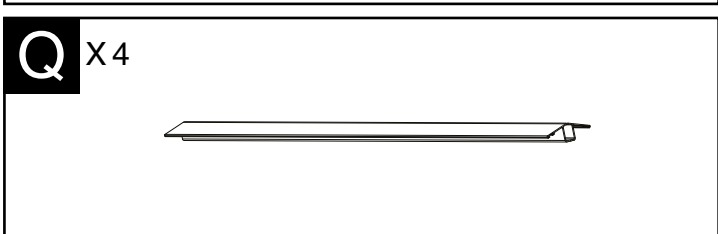
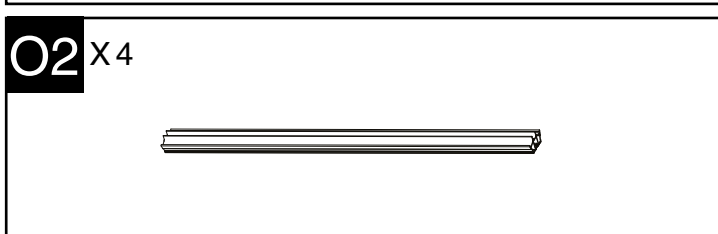
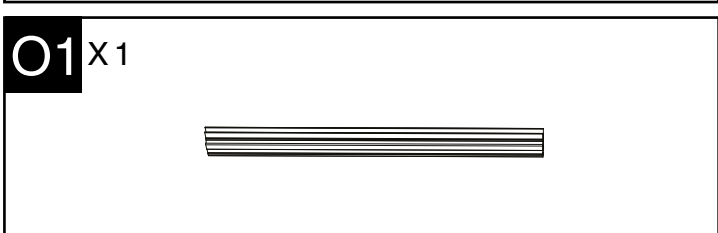
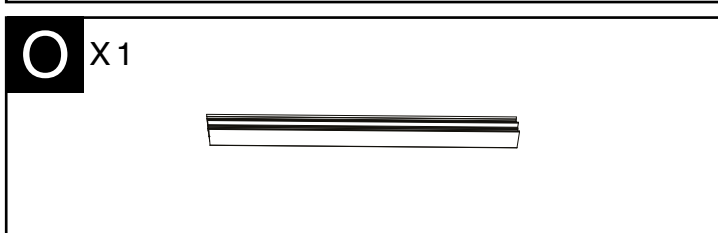
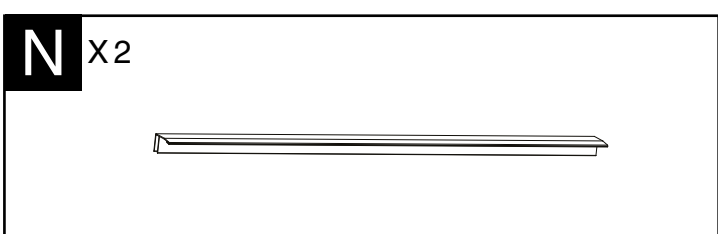
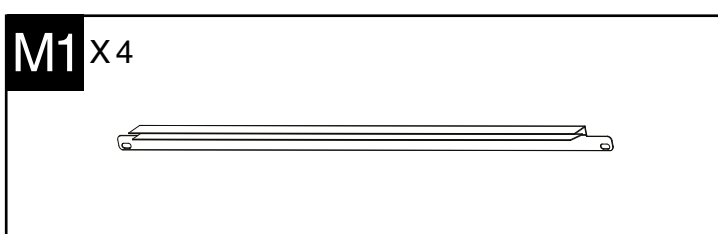
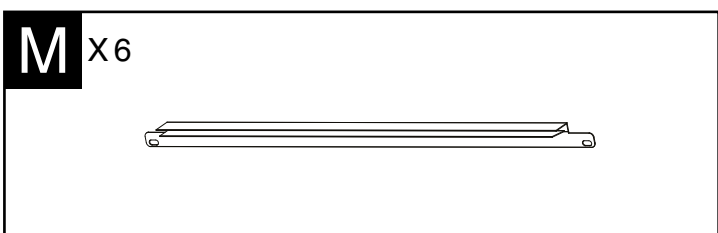
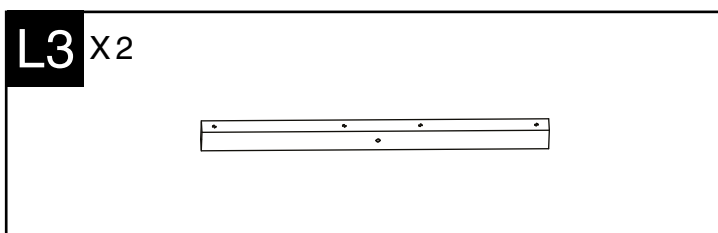
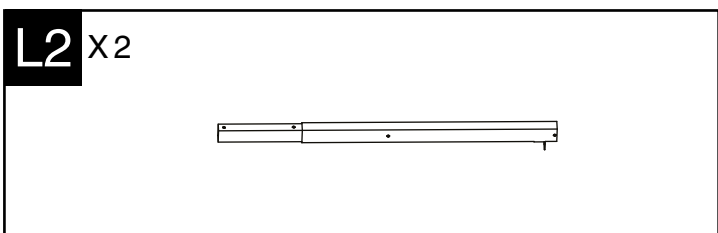
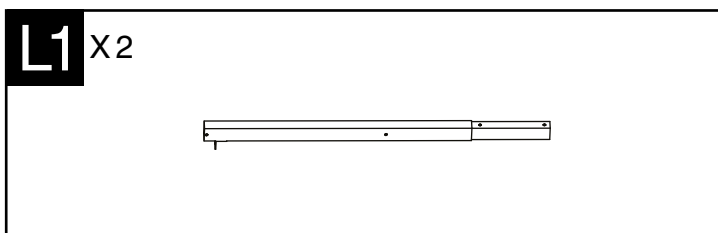
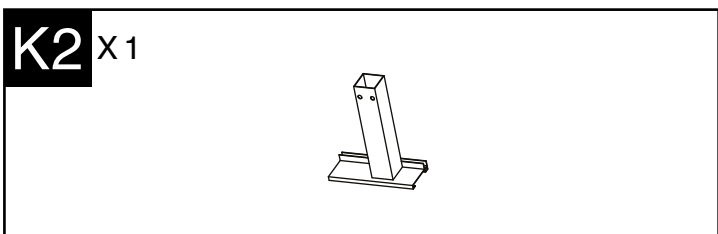
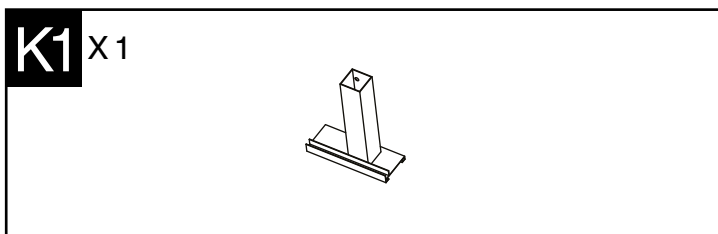
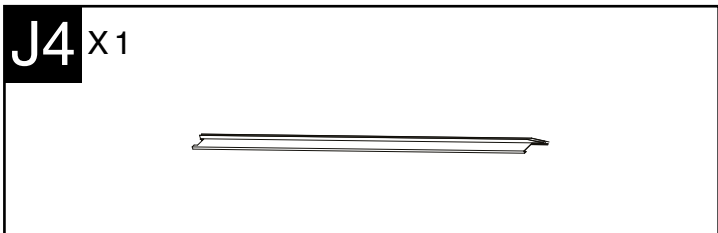
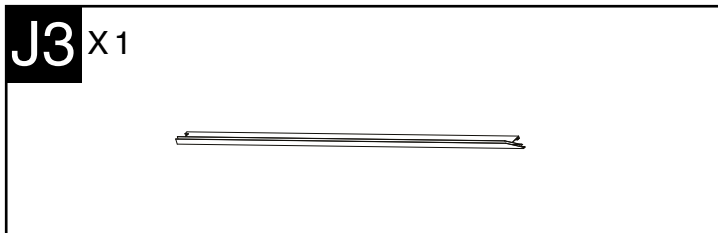
Hh X 1



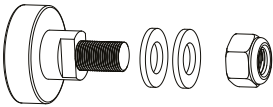
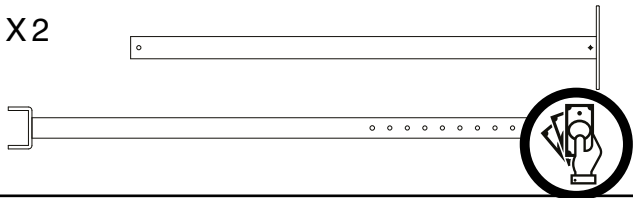
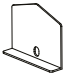

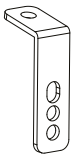
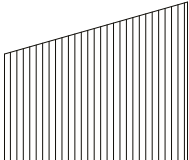
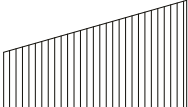

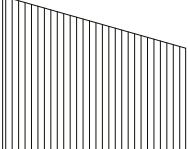
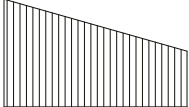

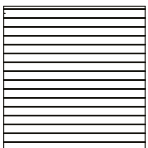
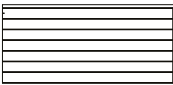
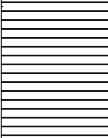
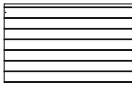


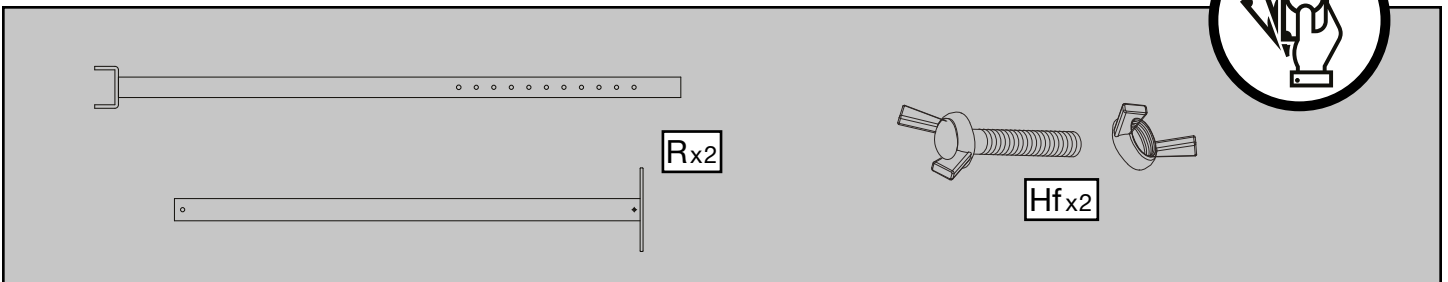
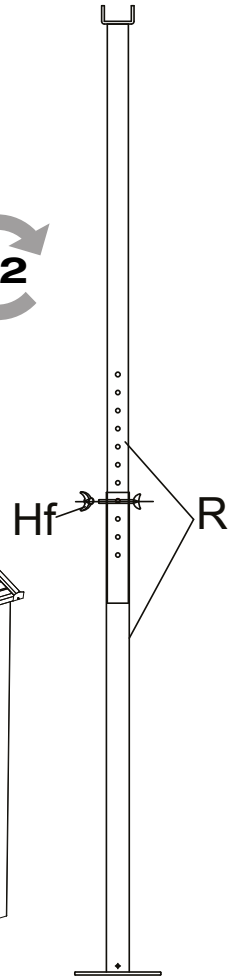
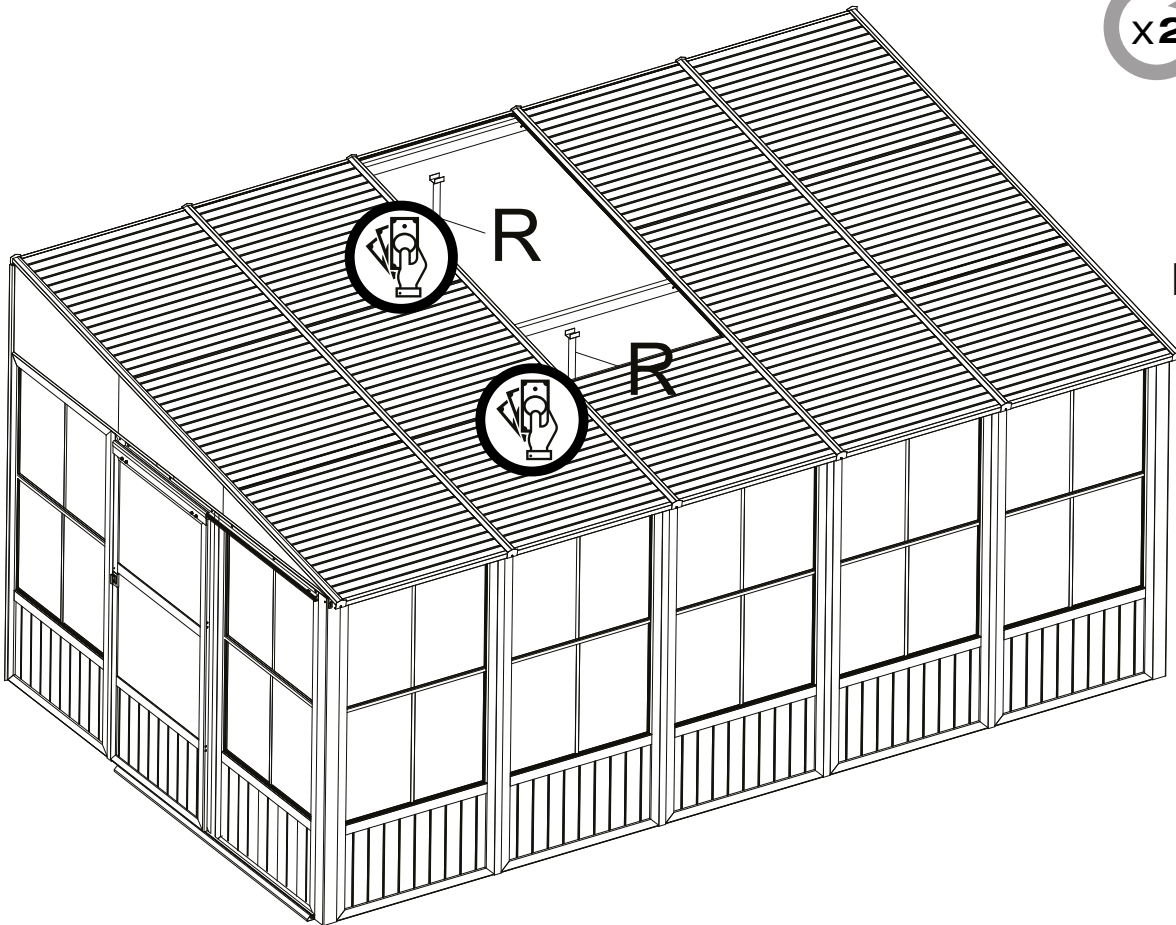
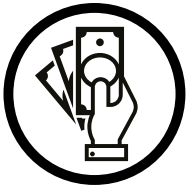
Hk X 8 (+2)

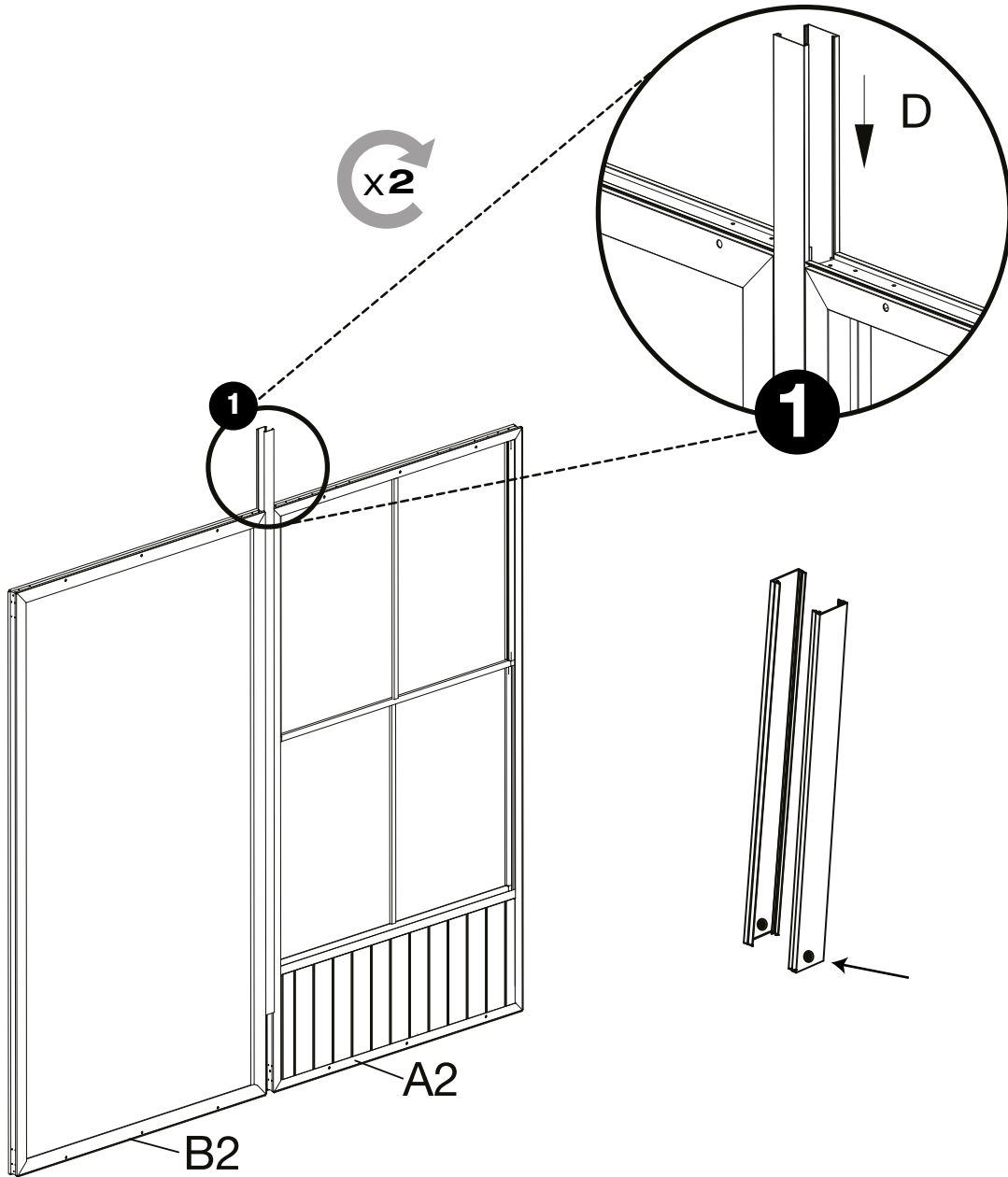






P X3 	P1 X2 	
B3 X8 	R X2 	
S X12 	T X4 	
U X16 	V1 X1 	
V2 X1 	V3 X1 	
V4 X1 	V5 X1 	
V6 X1 	W X6 	Wa X2 
W1 X9 	W1a X3 	



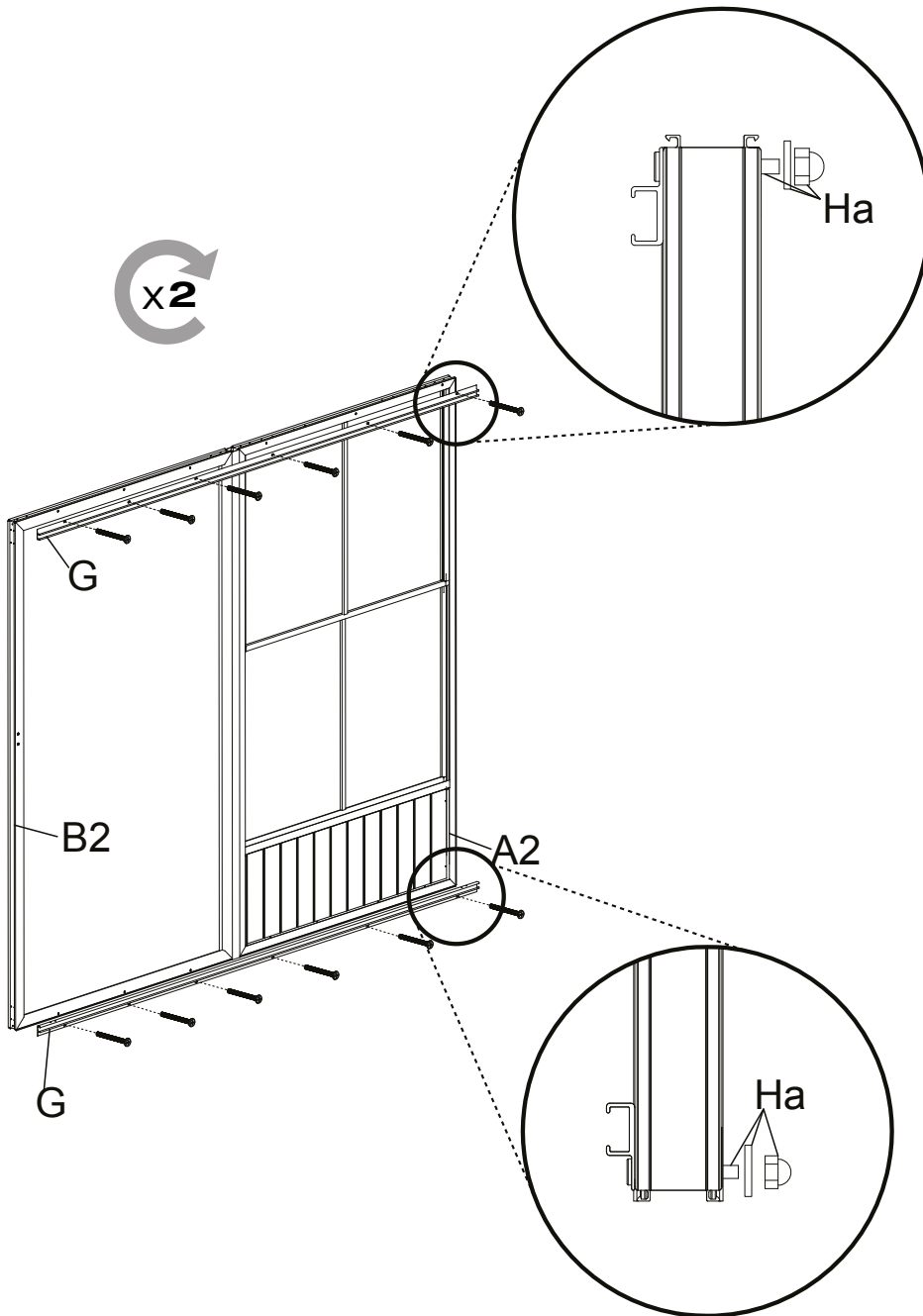


A2x2

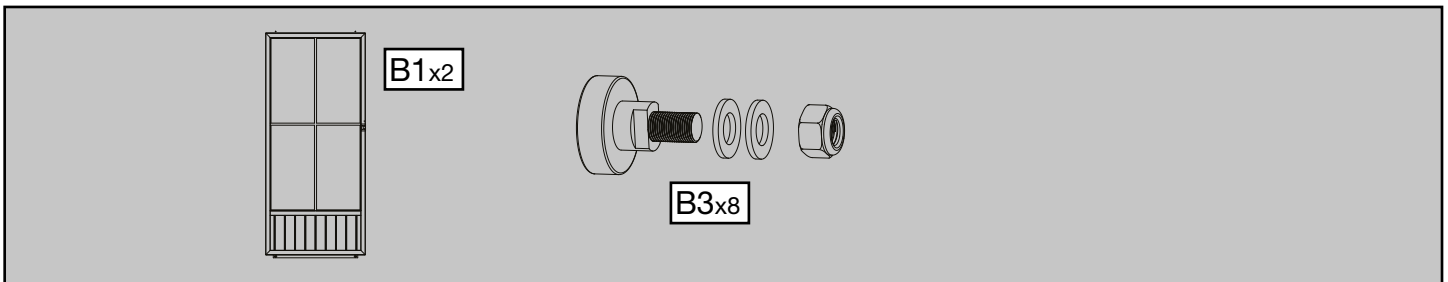
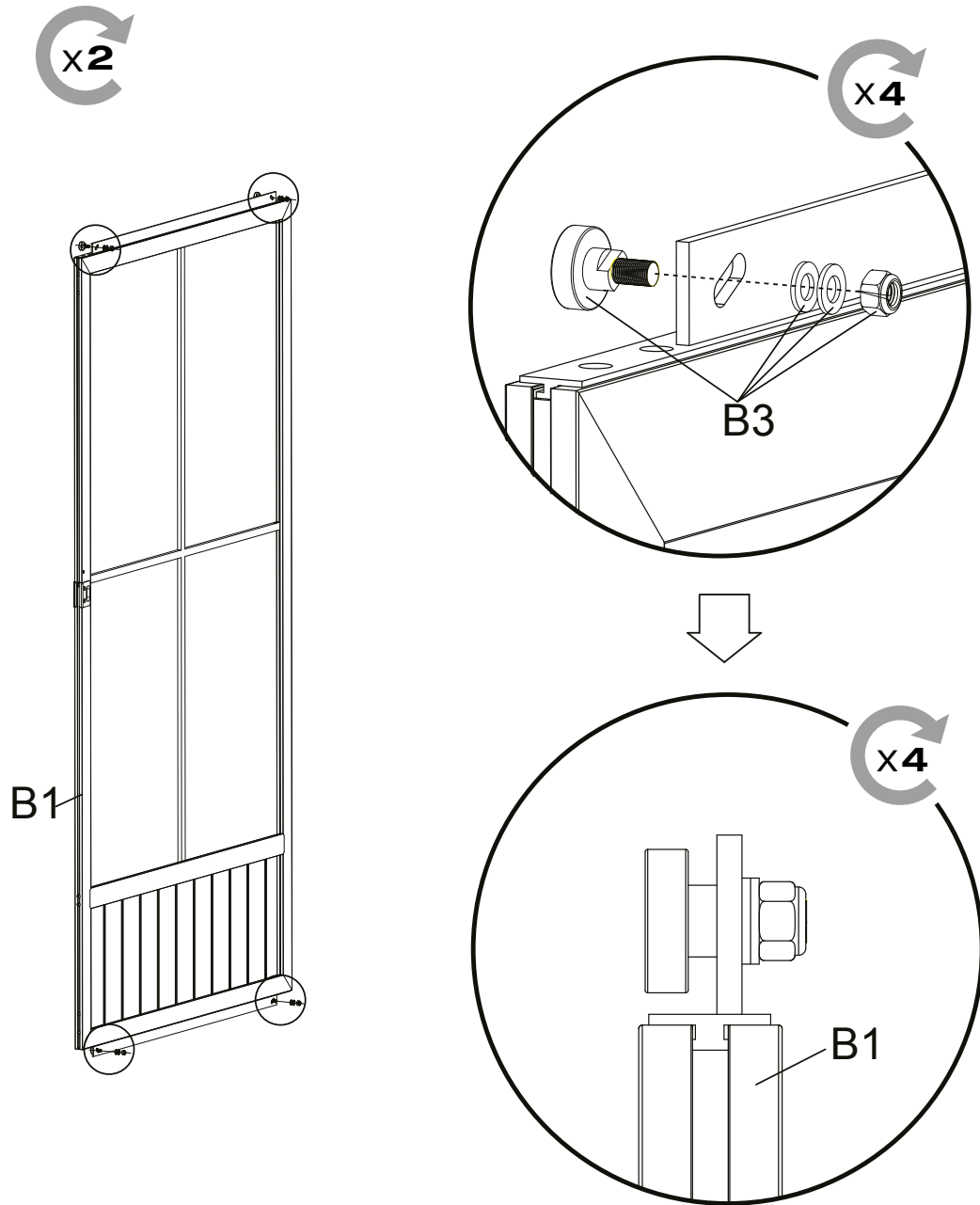
B2x2

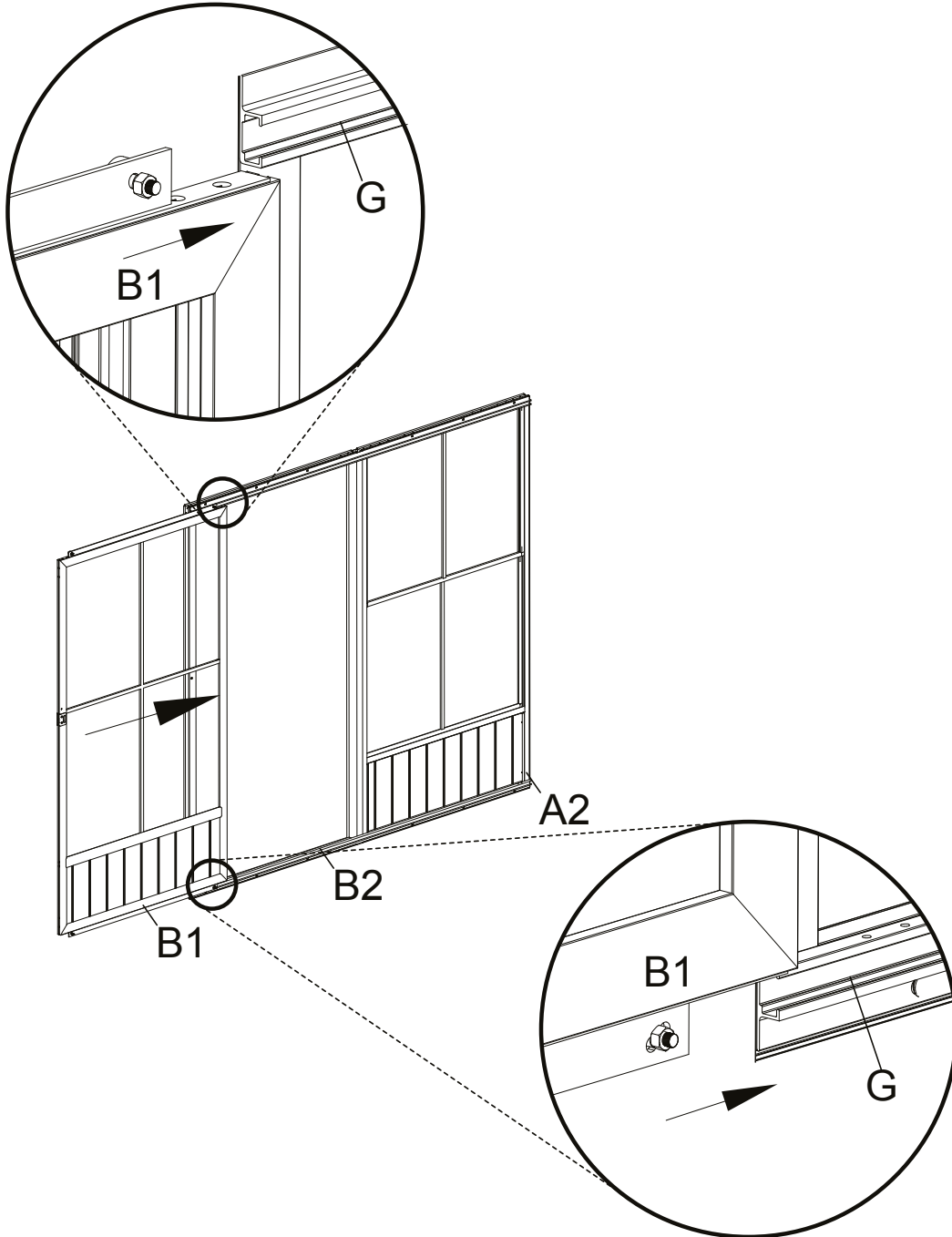
Dx4

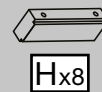
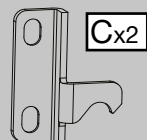
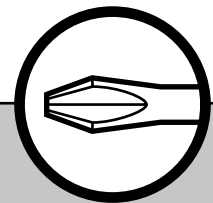
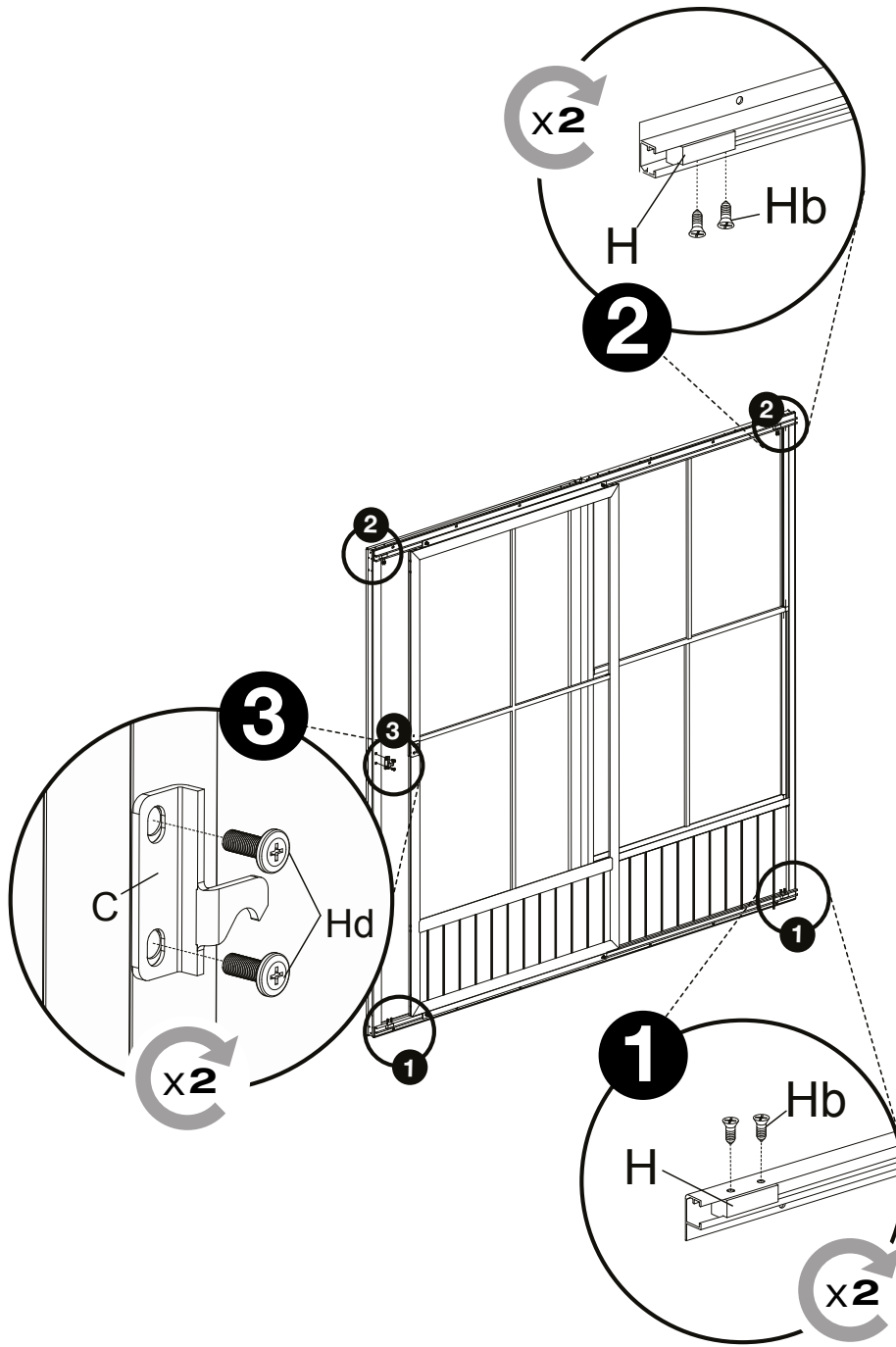
2+

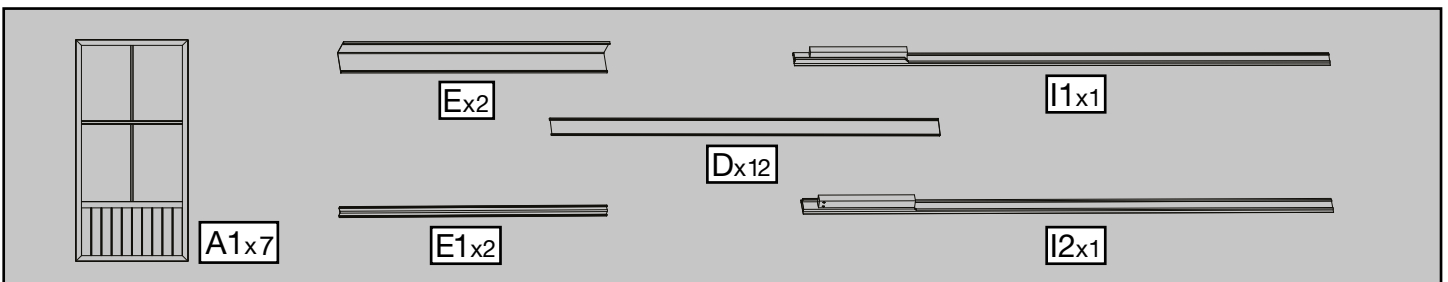
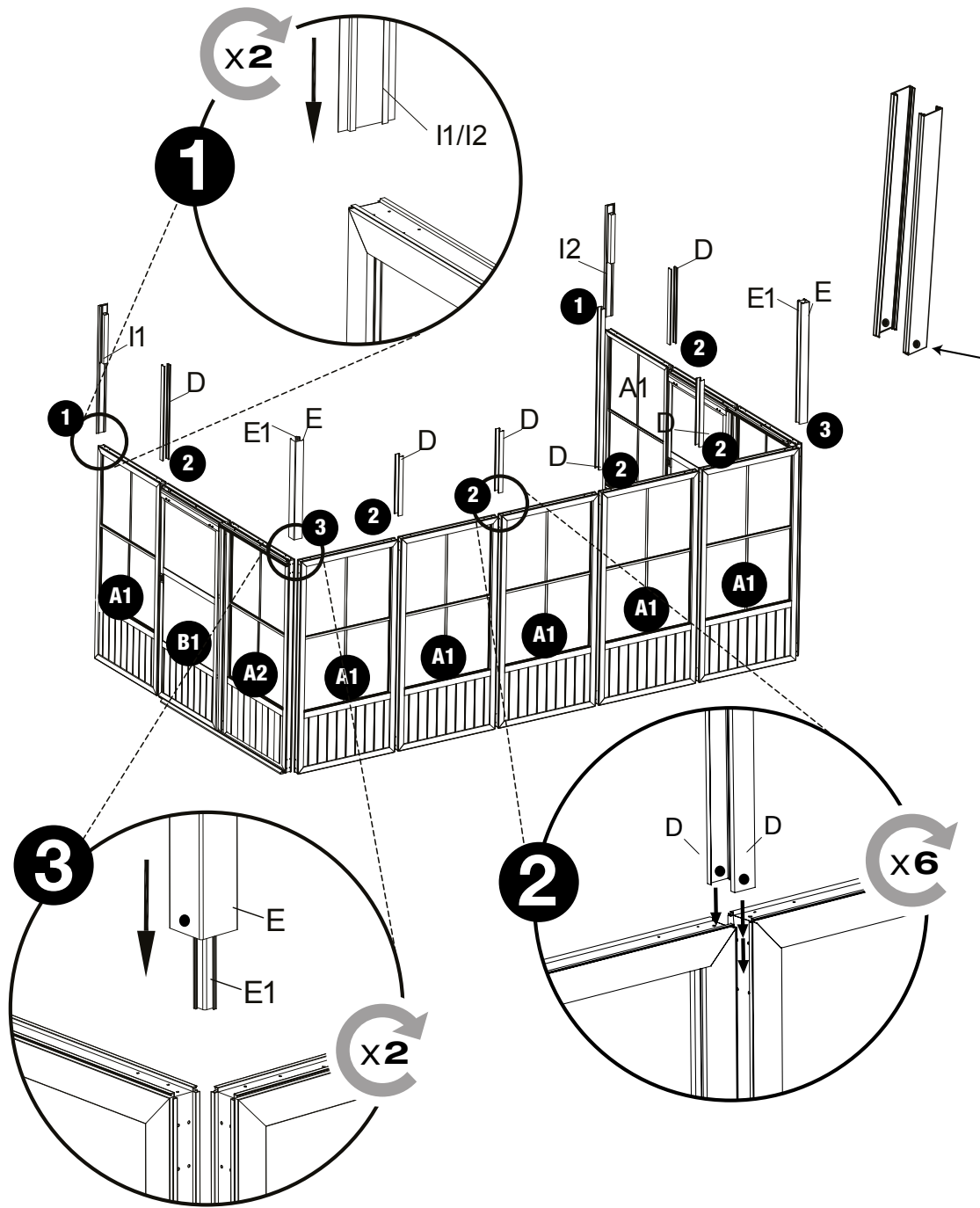


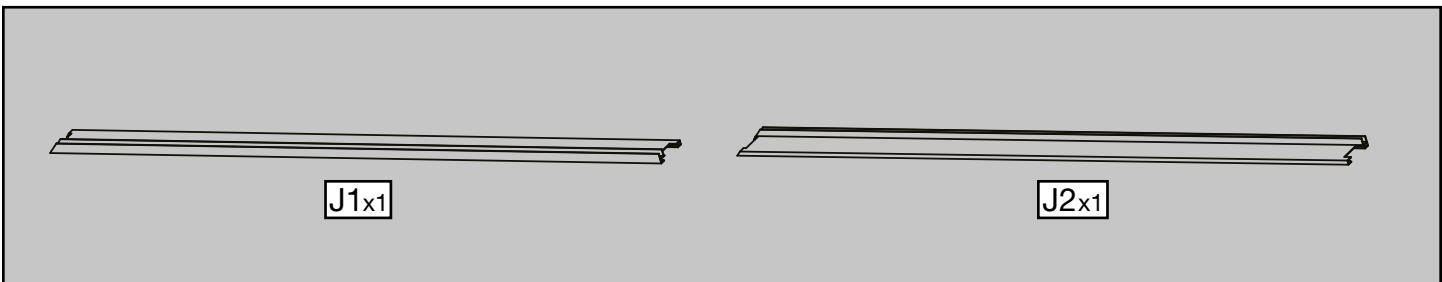
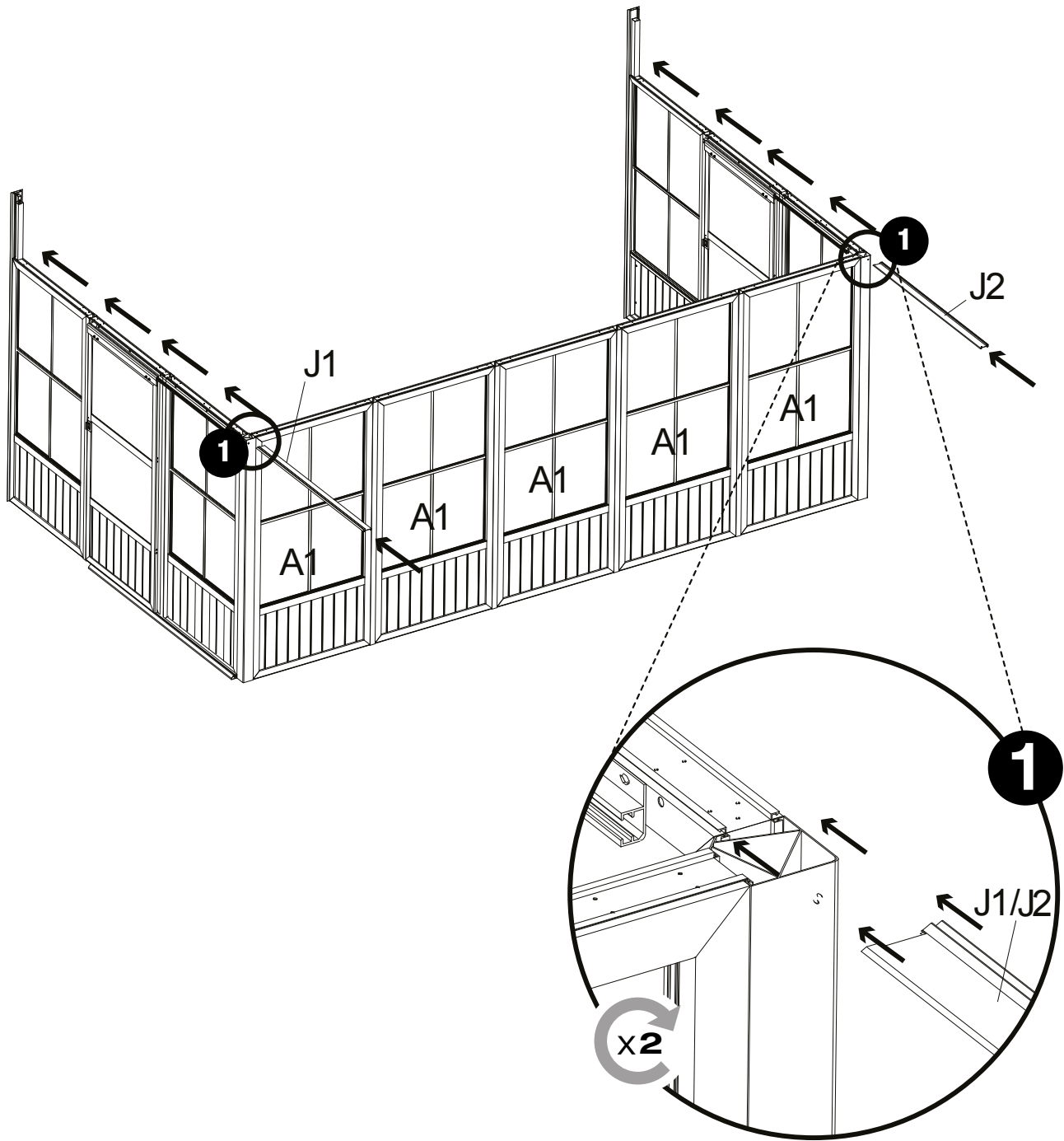
This section contains a parts list and safety icons. On the left, a long horizontal bar is labeled 'Gx4'. In the center, there is a screw and a nut labeled 'Ha x24'. On the right, there are two circular icons: one showing two people with '2+' below them, and another showing a hand with a crossed-out arrow, indicating a warning or prohibition.

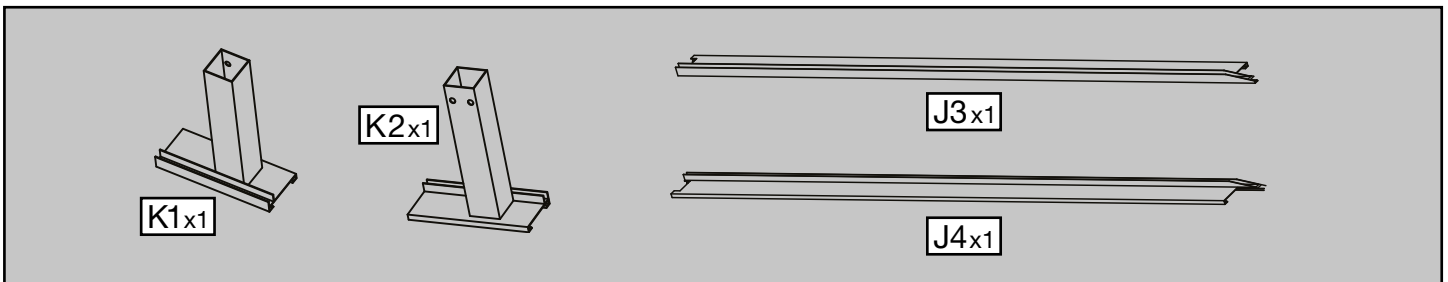
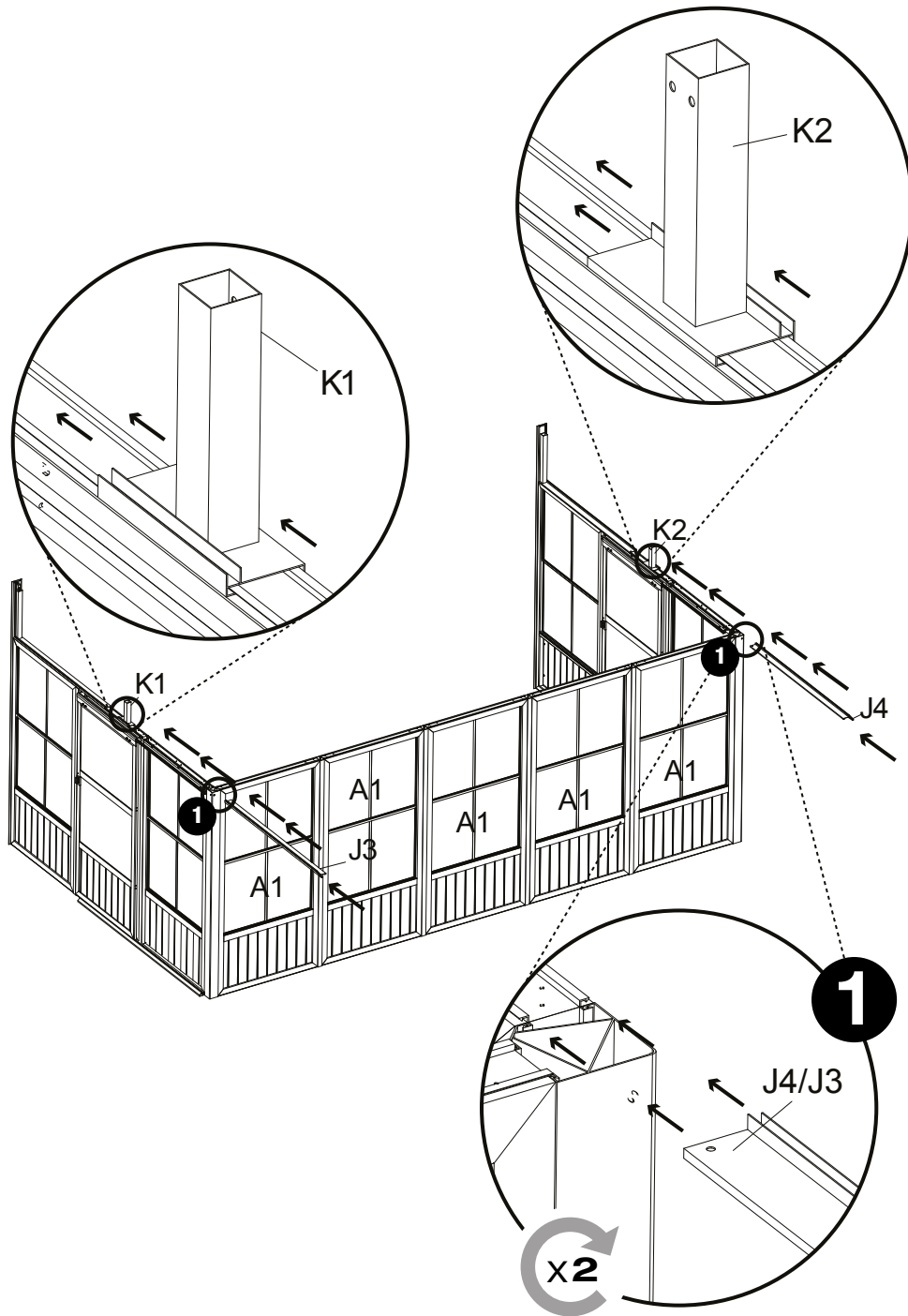


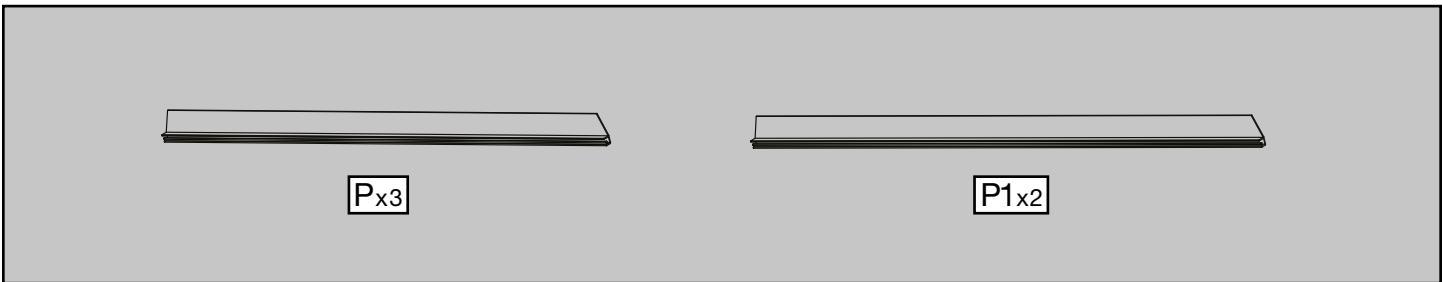
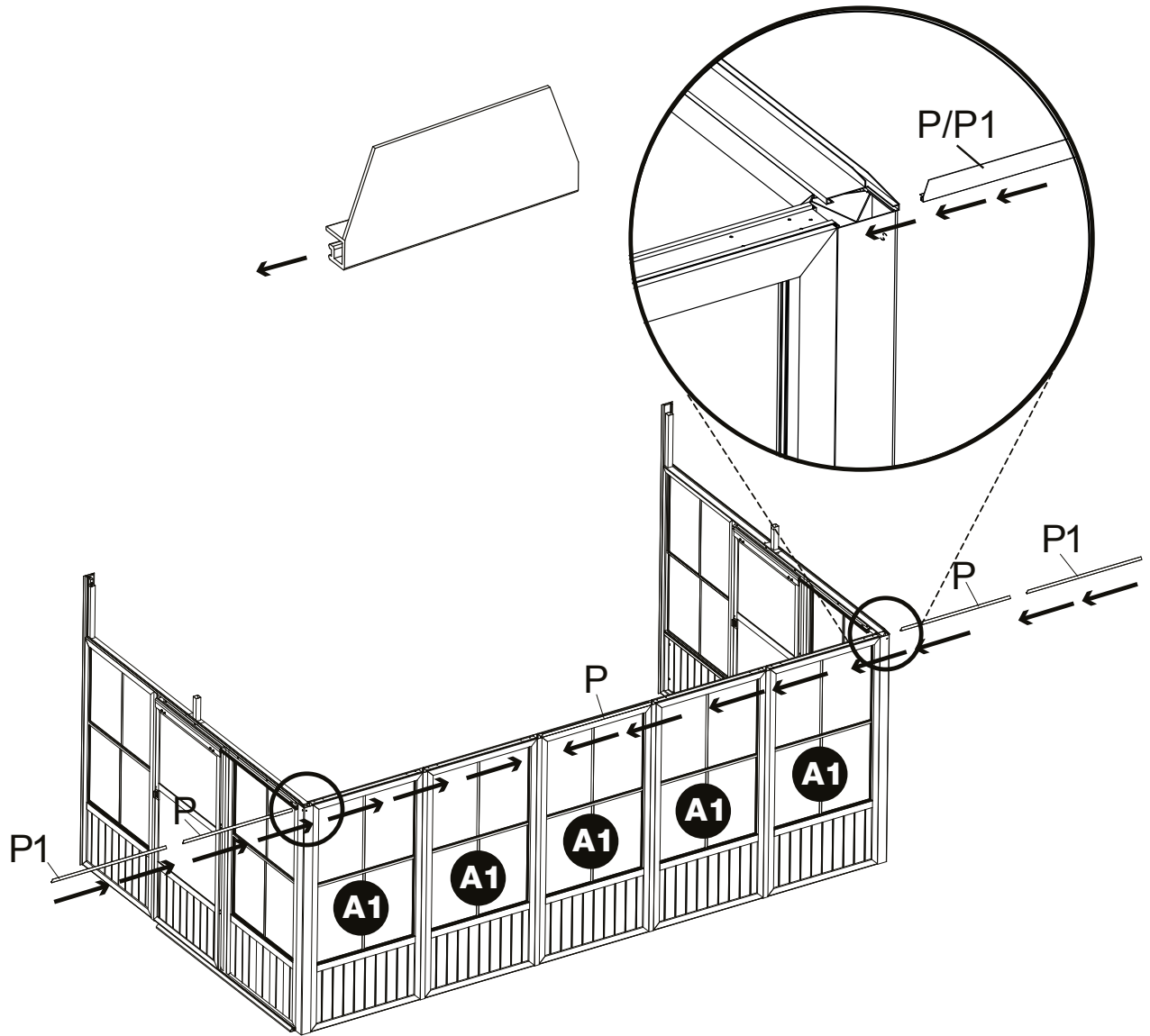


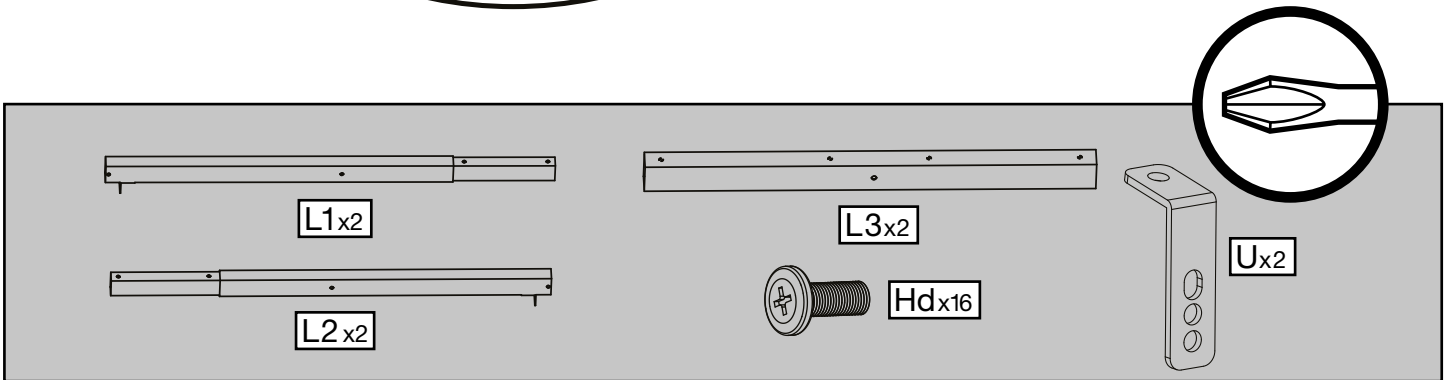
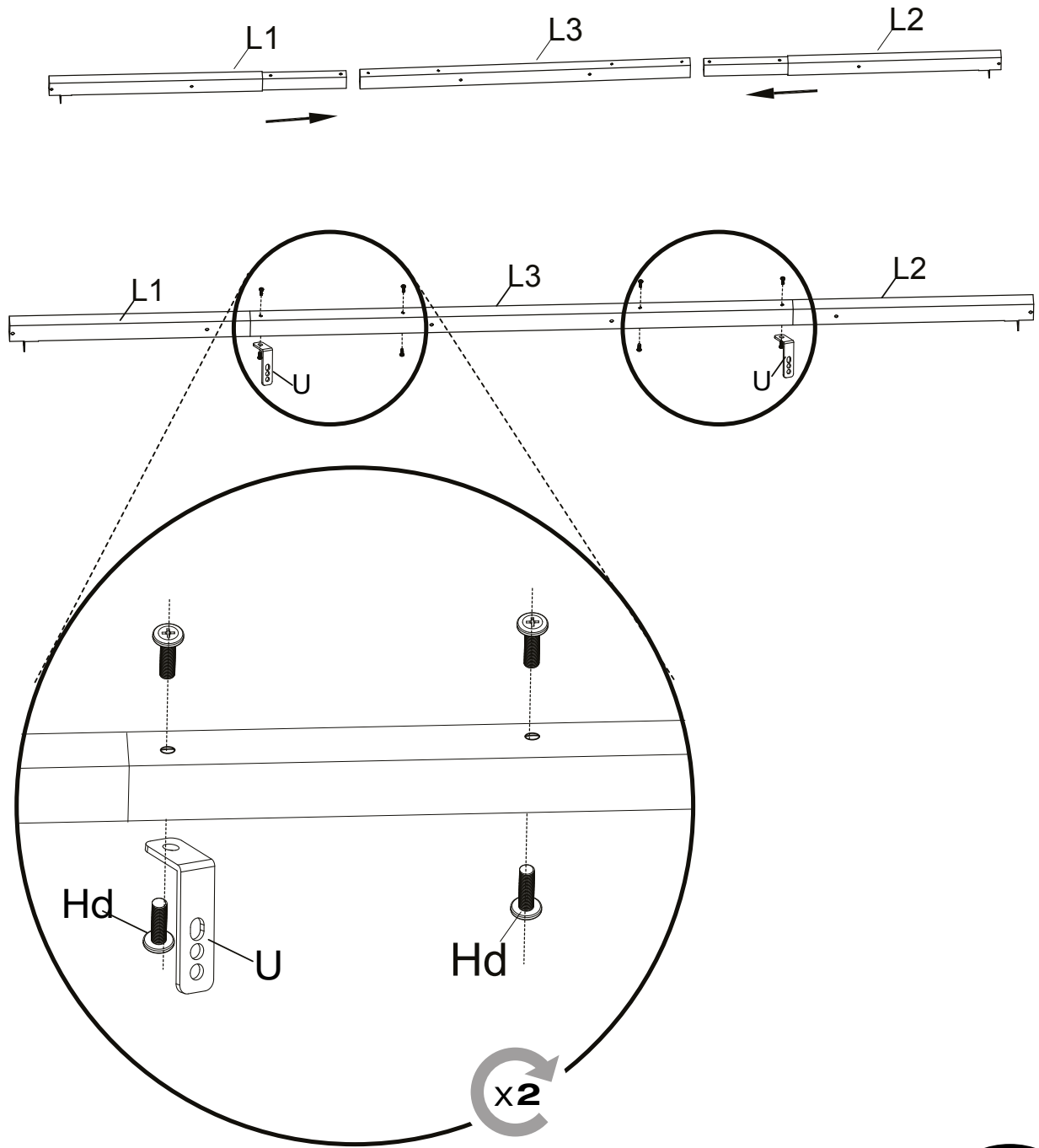


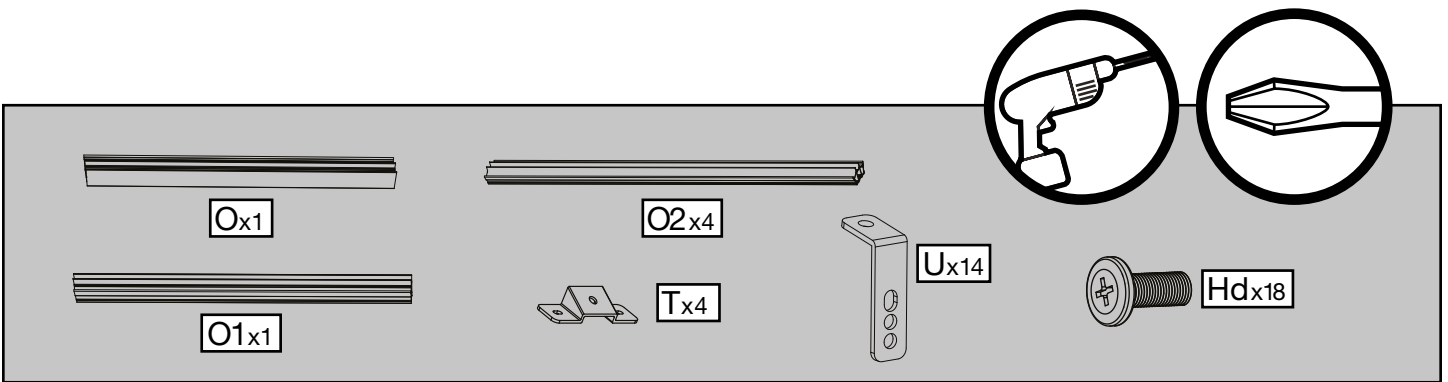
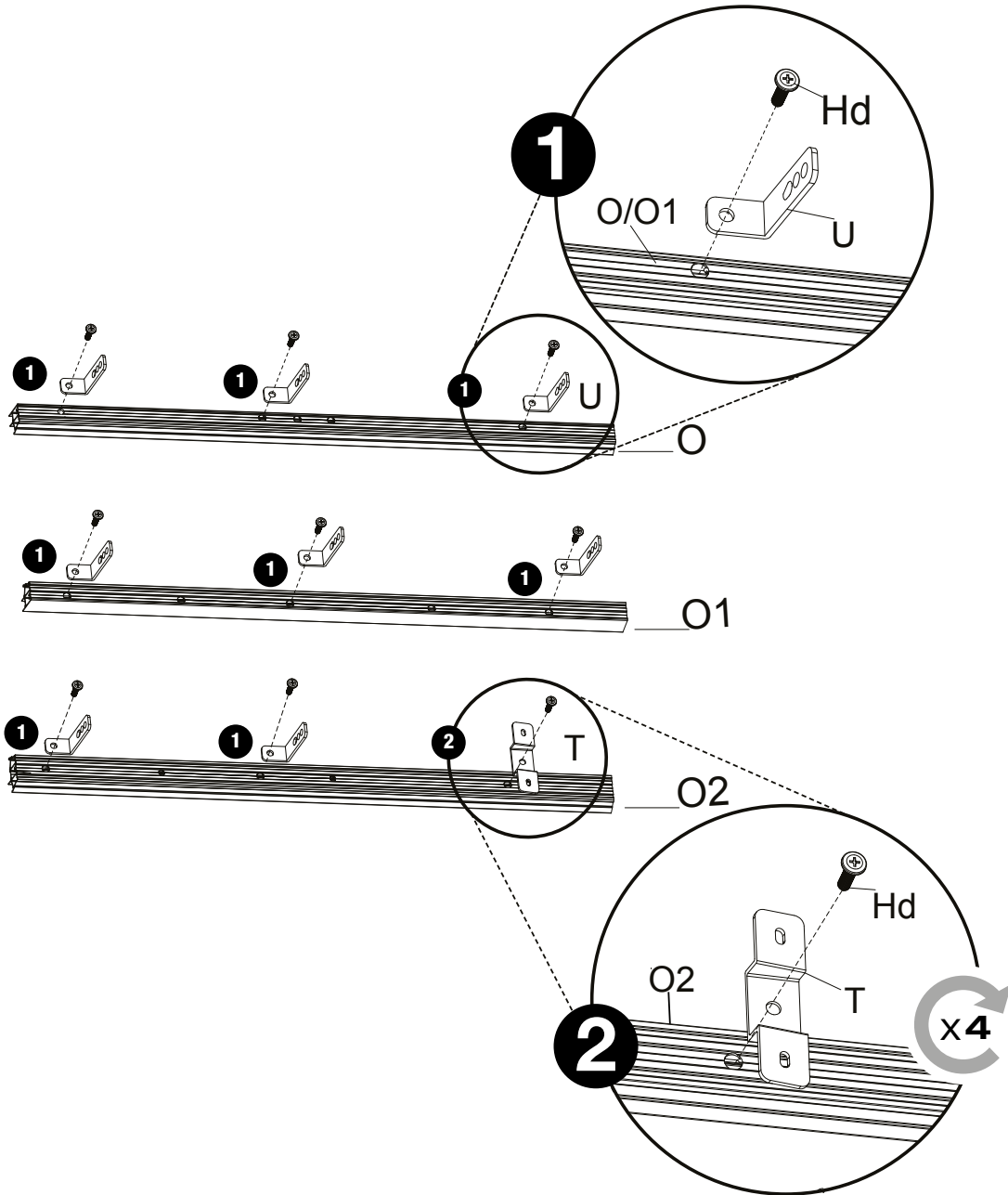


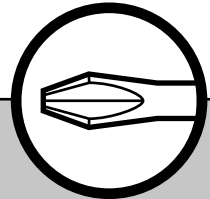
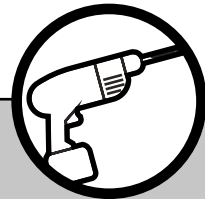
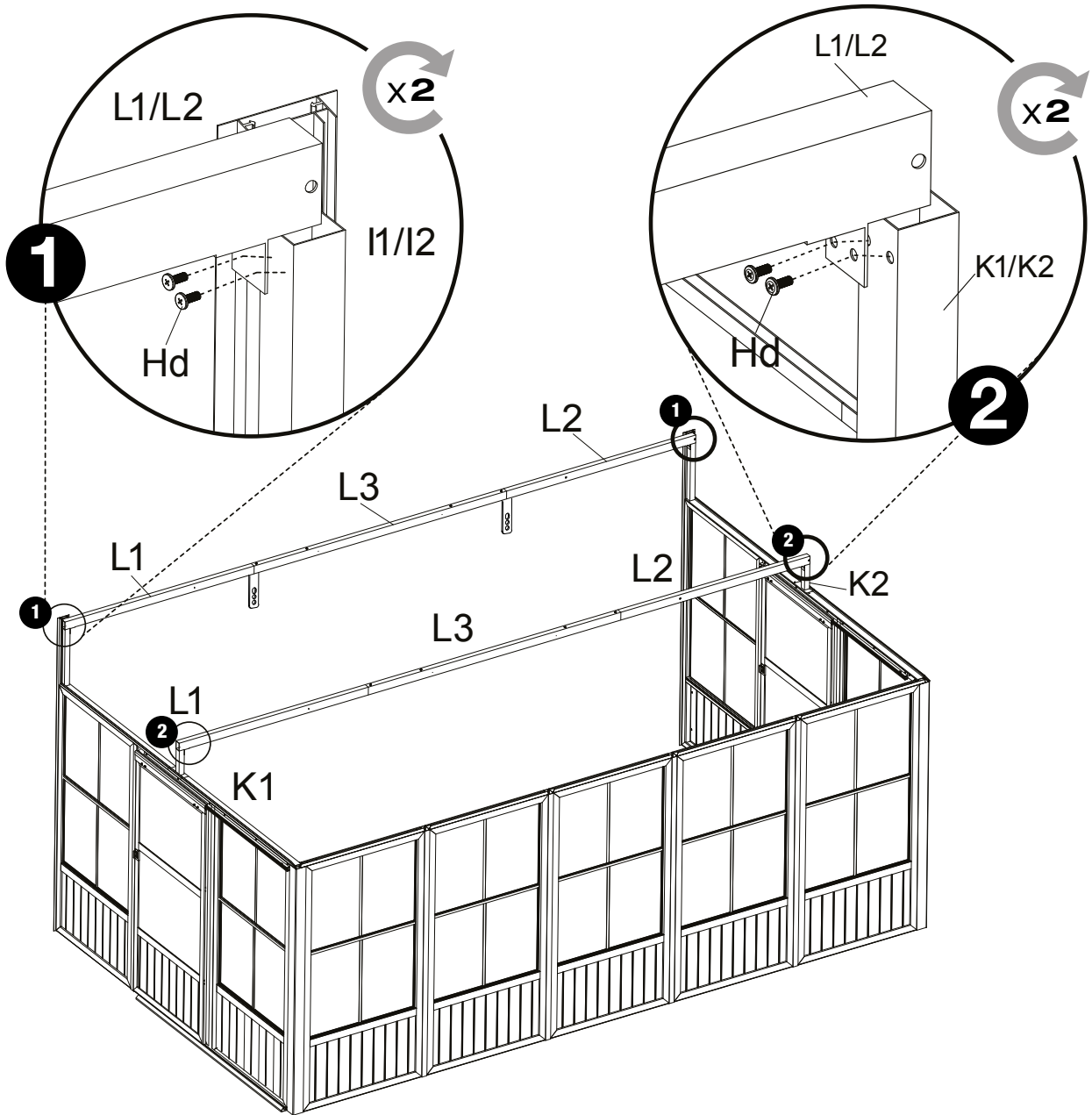


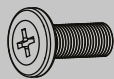
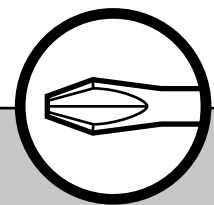
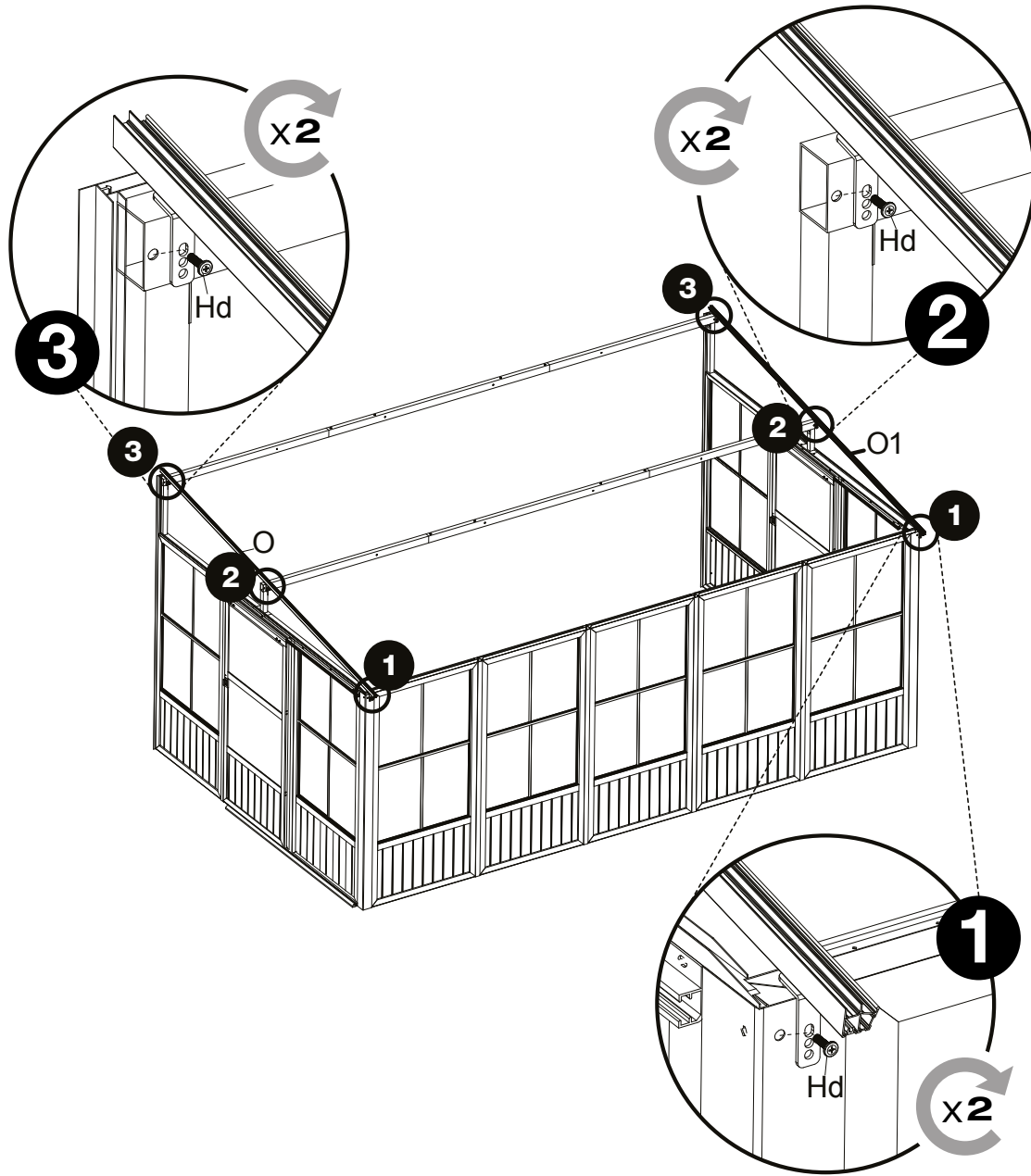




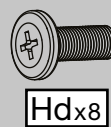
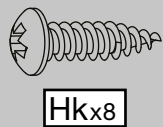
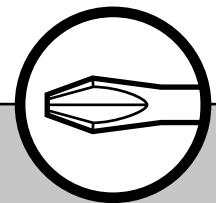
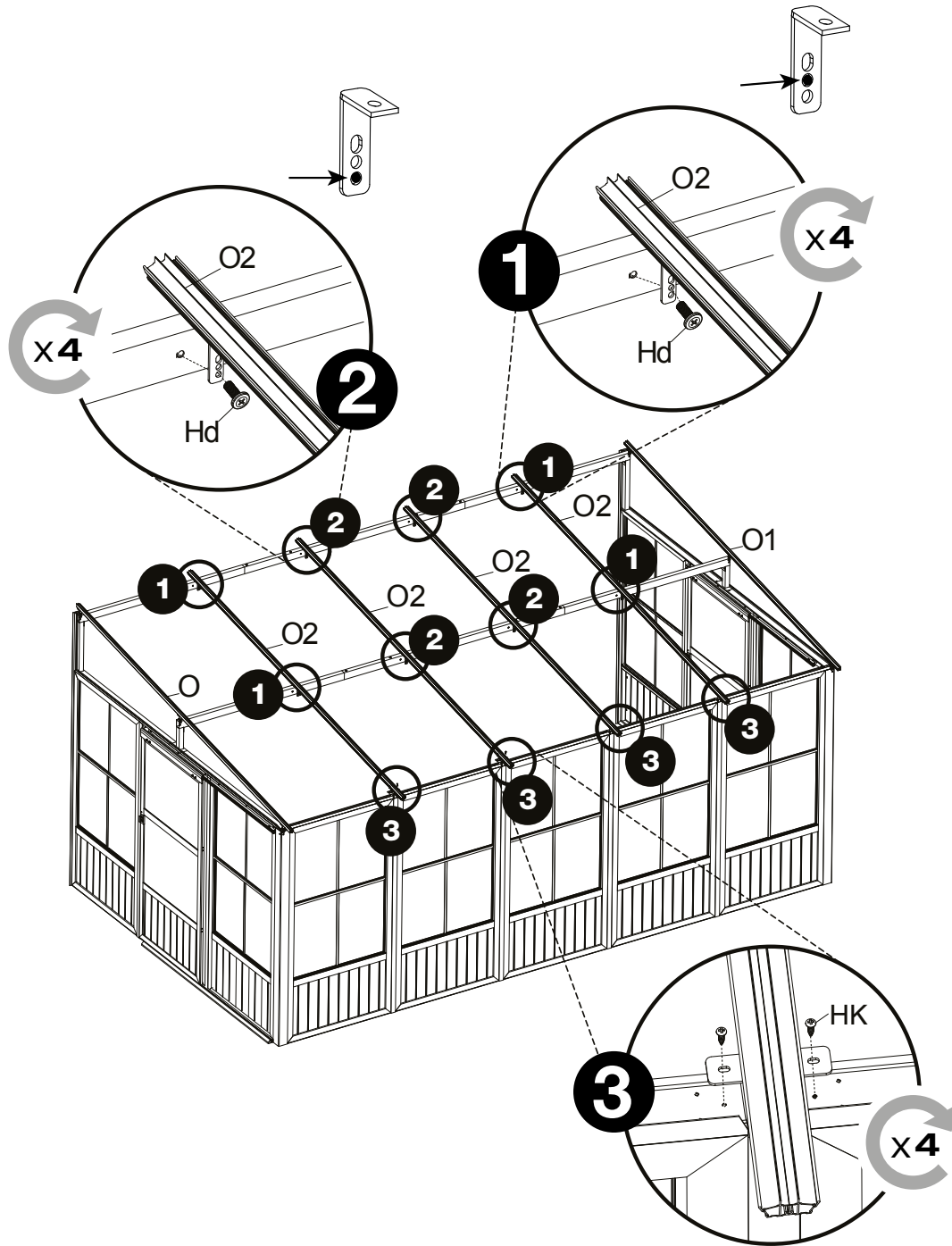


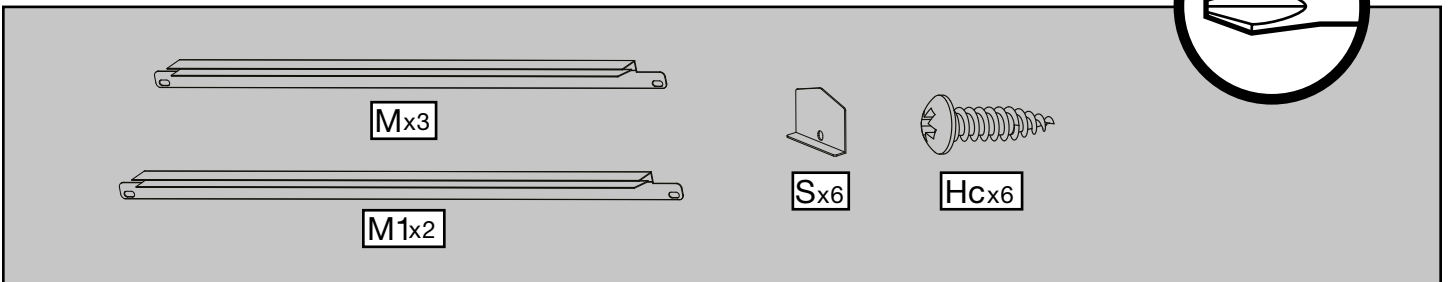
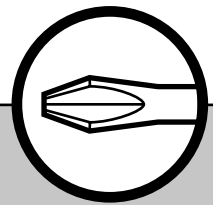
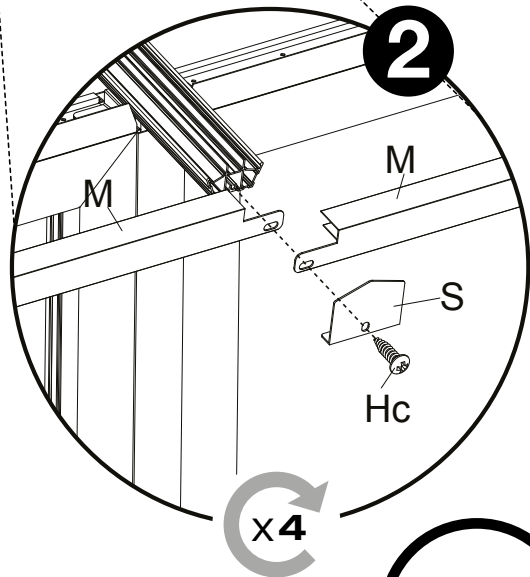
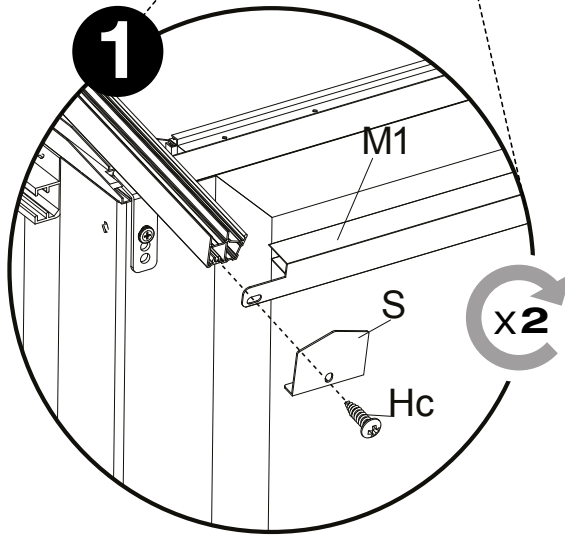
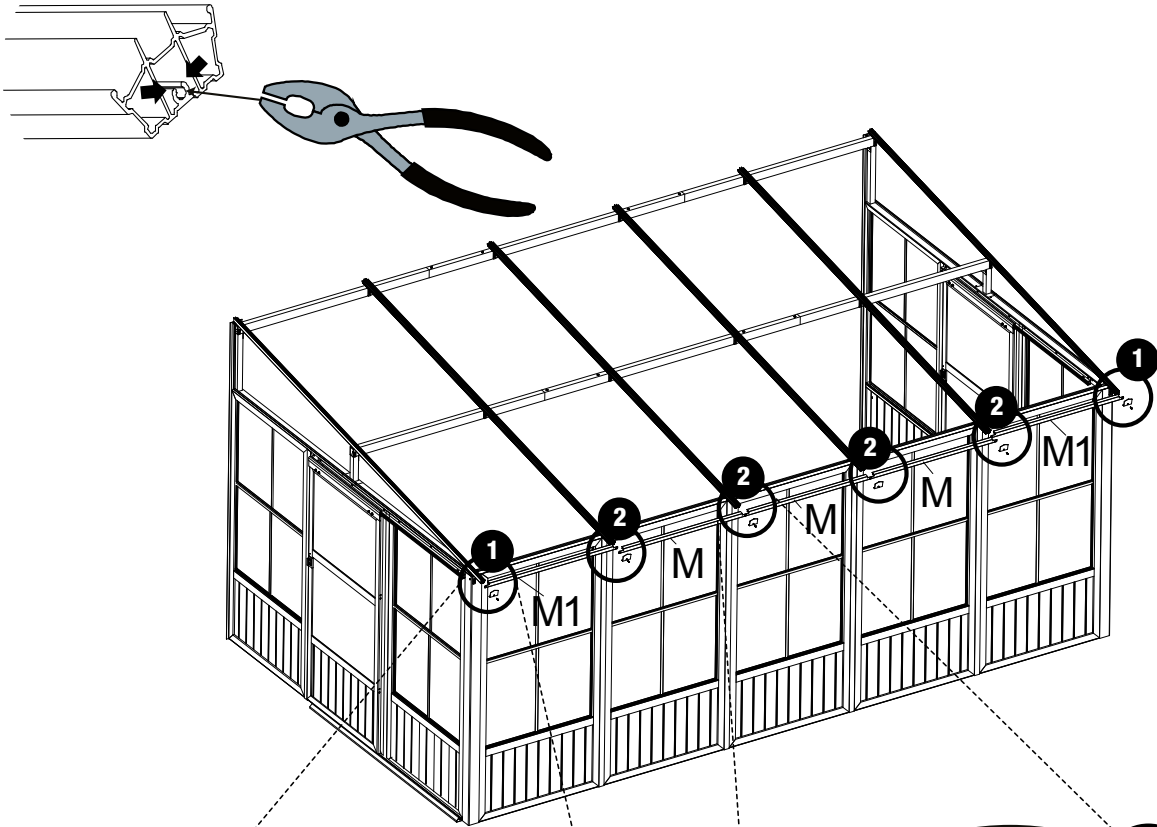


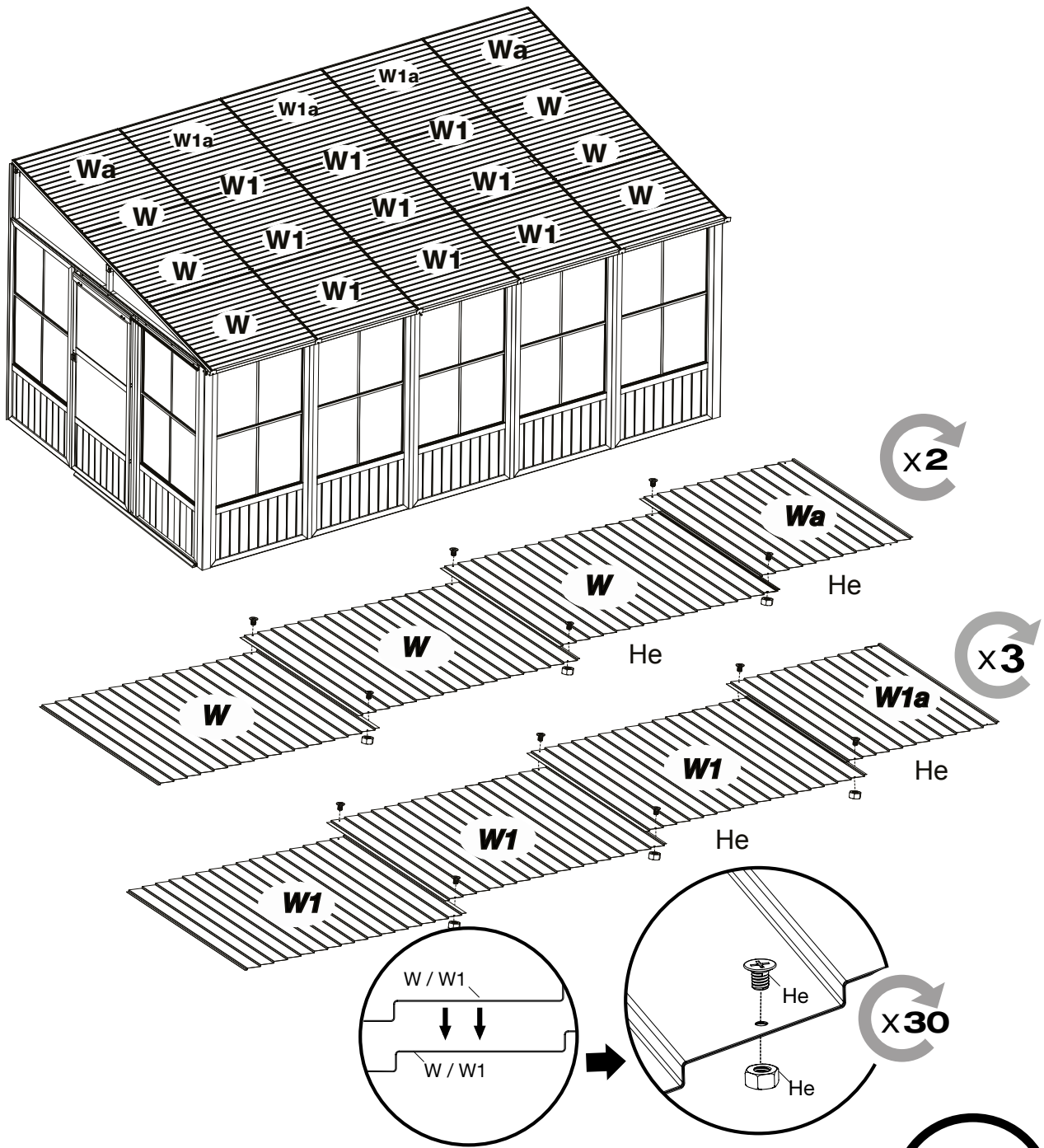




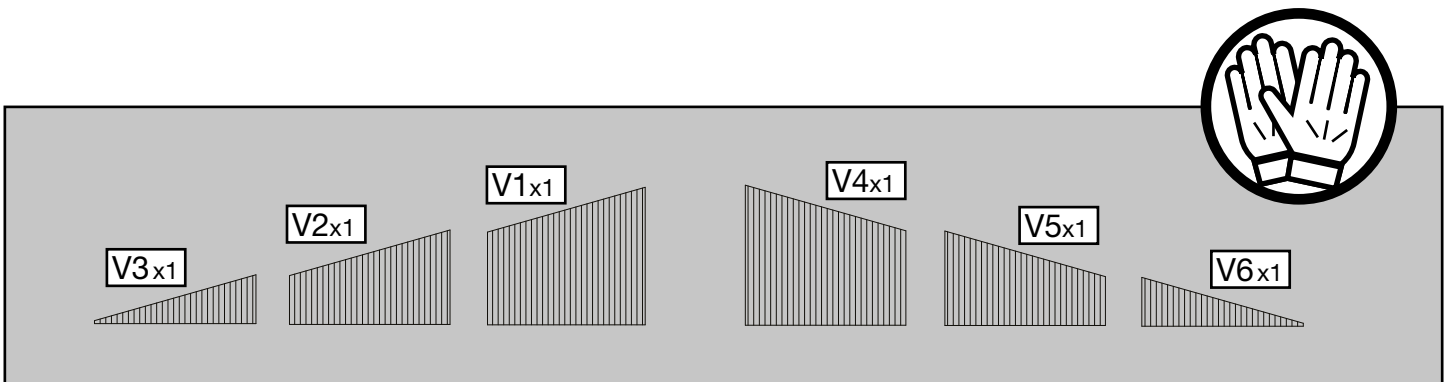
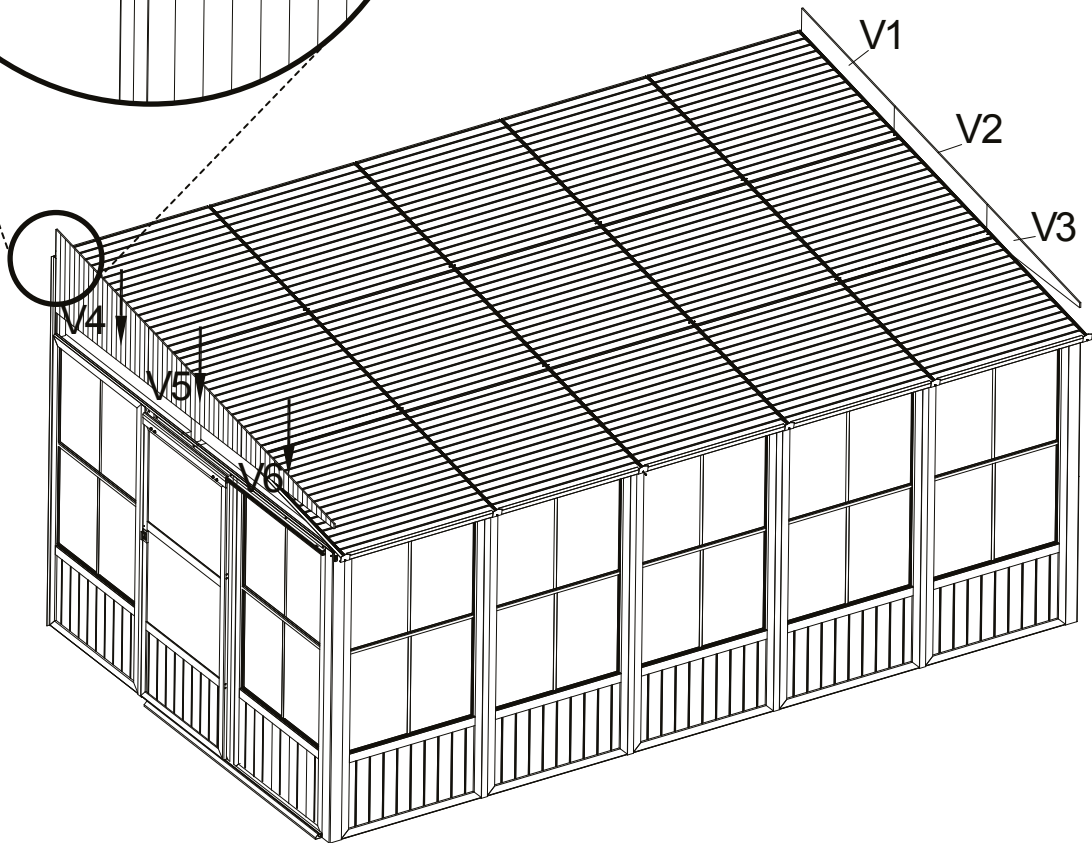
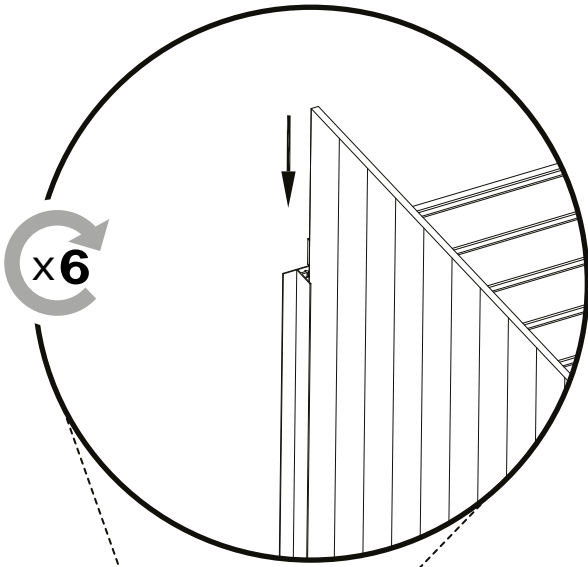
Hd x6

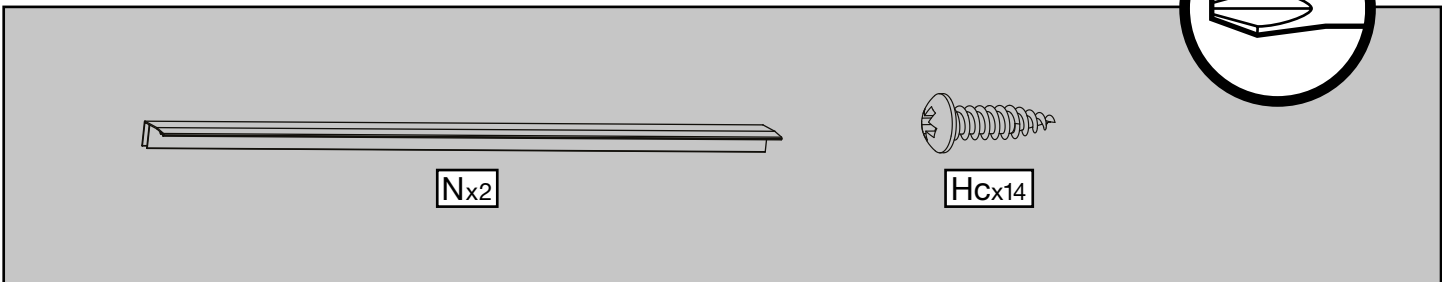
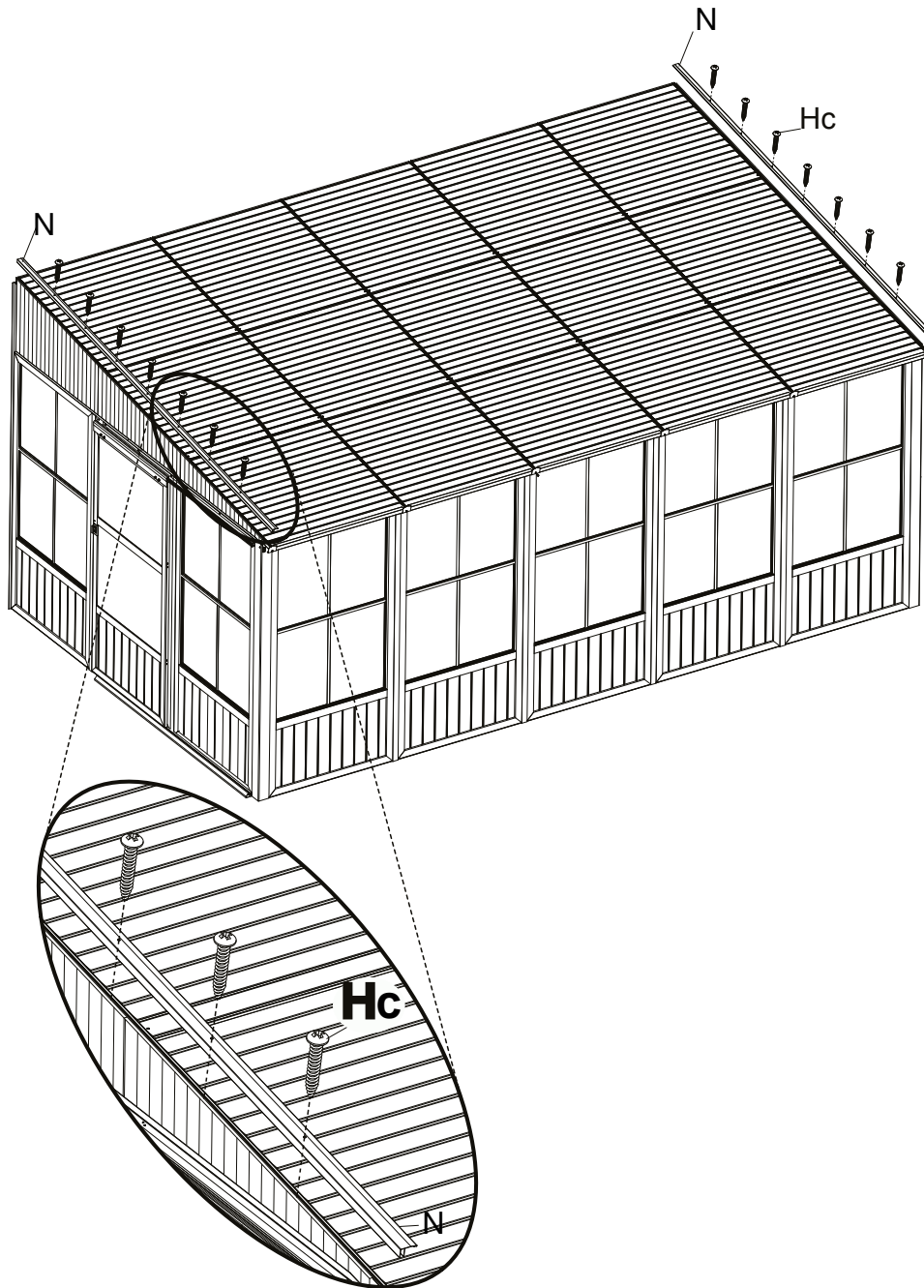


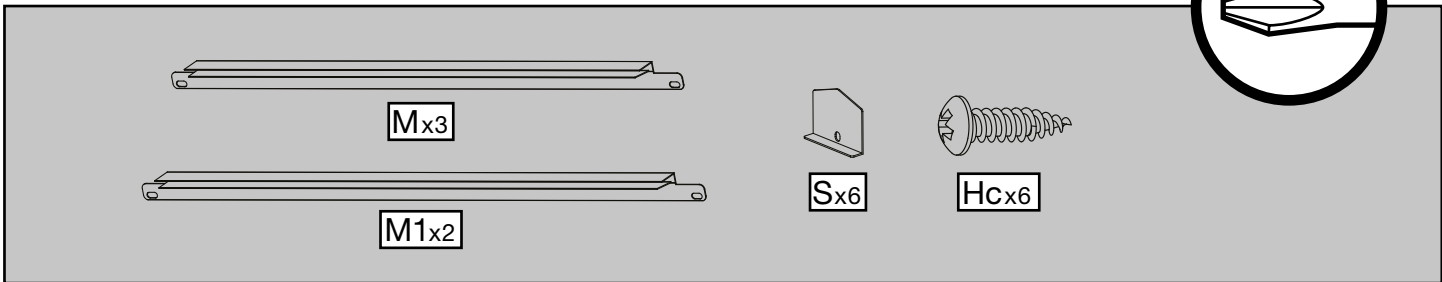
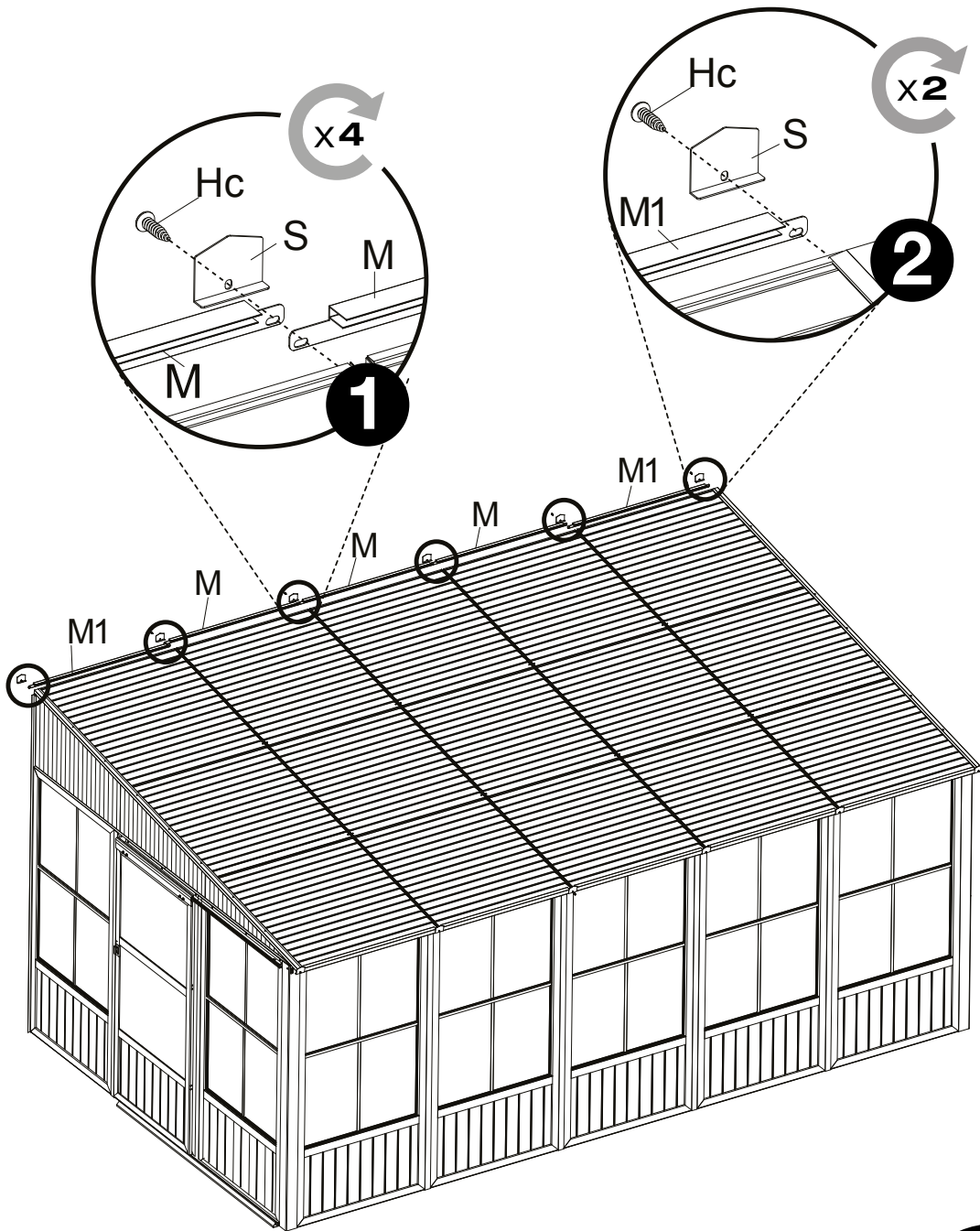


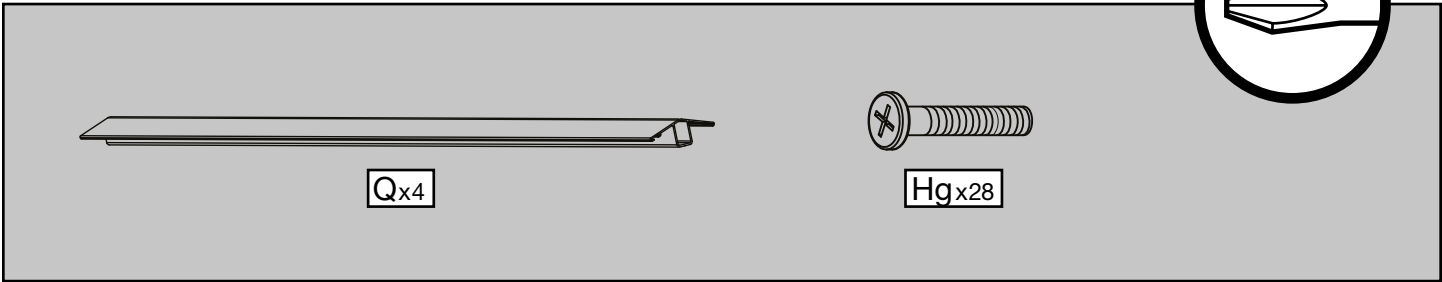
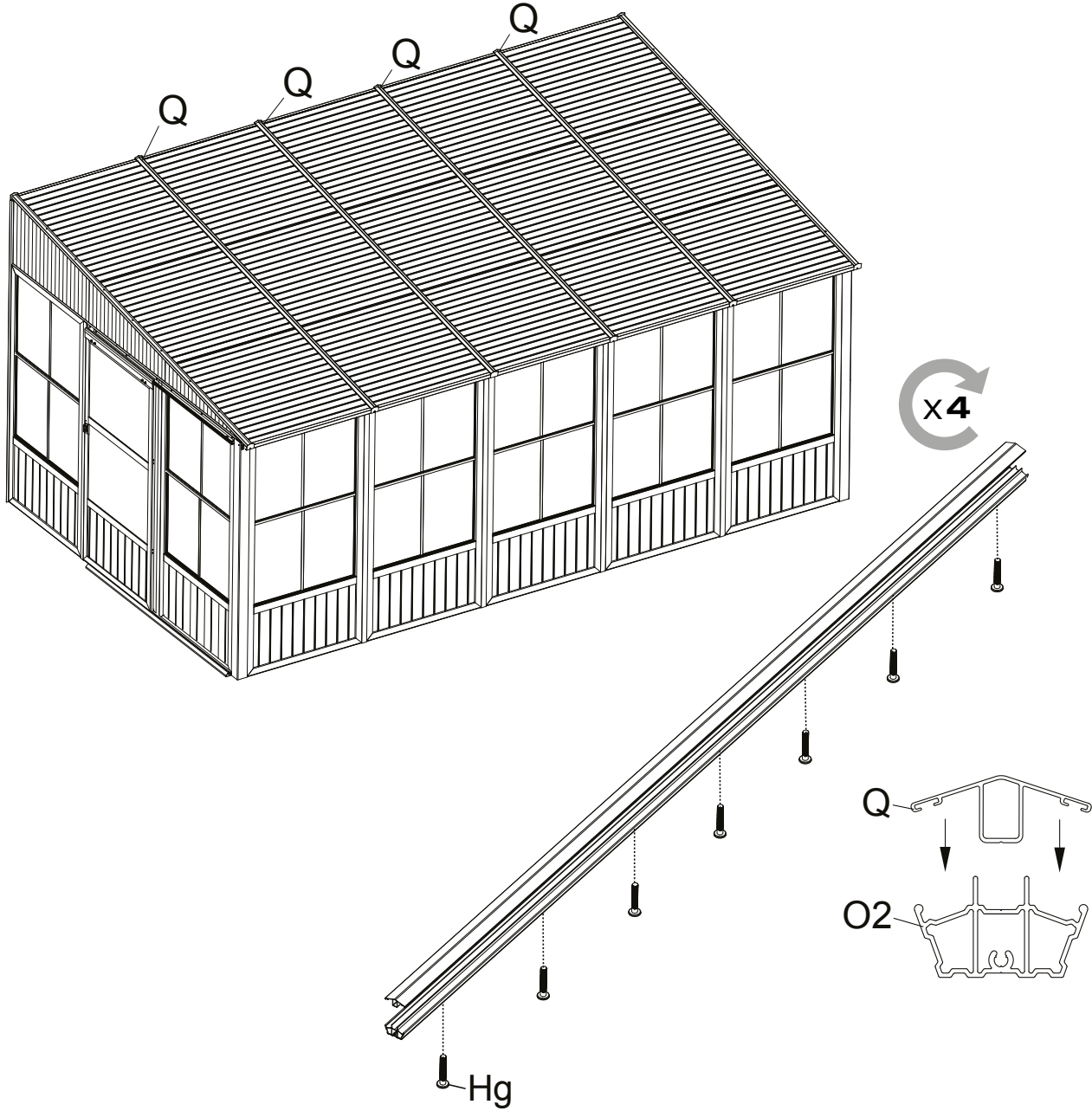


A parts list diagram showing the required components for the roof assembly. It includes four types of panels: **Wa x2**, **W x6**, **W1a x3**, and **W1 x9**. Additionally, it shows a screw and a nut, both labeled **Hex30**. A circular icon of a hex key is also present.









SOJAG ■ I
produits saisonniers • seasonal products