

SOJAG

produits saisonniers • seasonal products

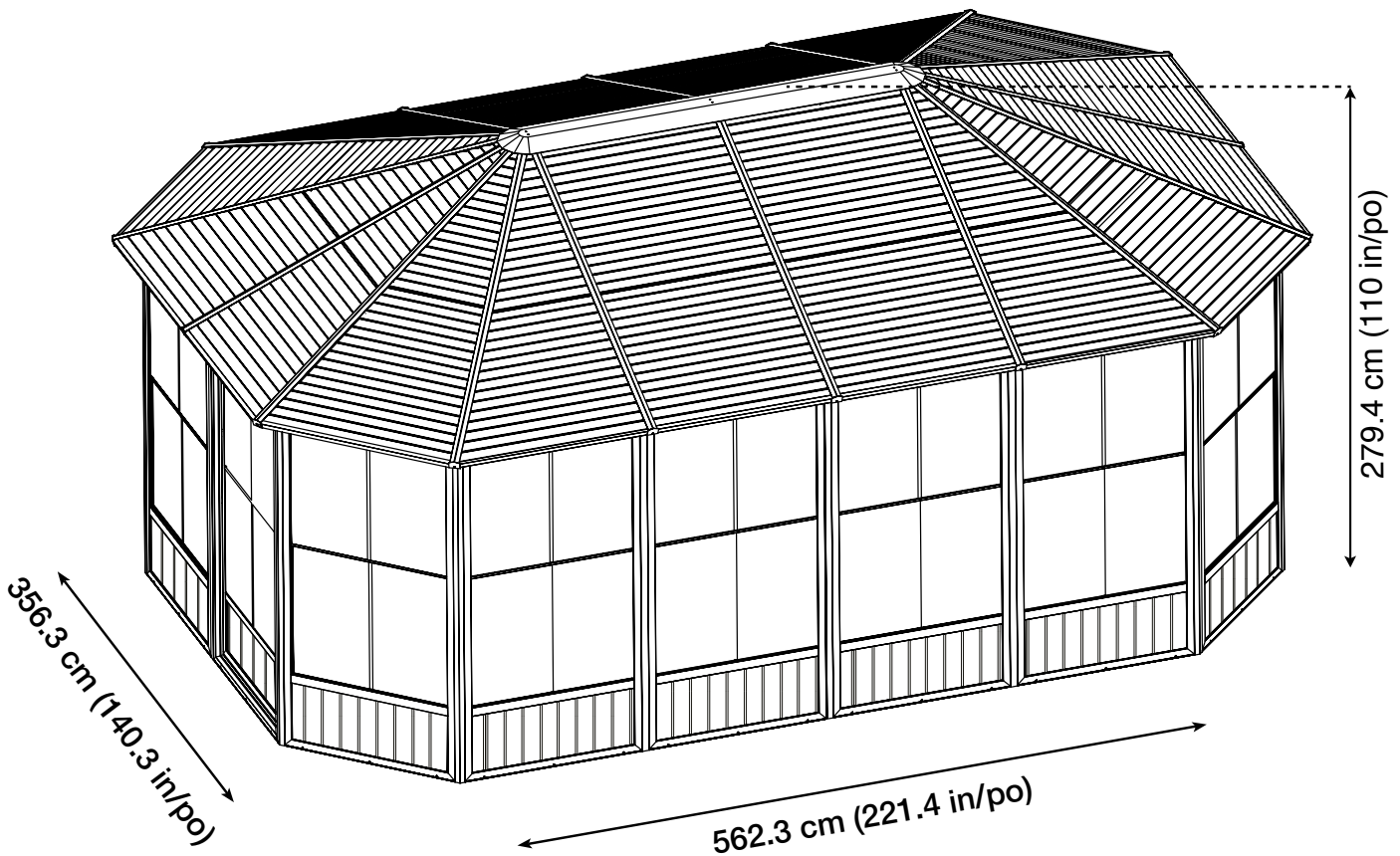


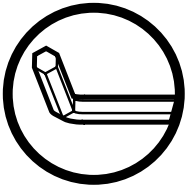
Sojag code: 448-9159165

CUP/UPC code: 772830159165

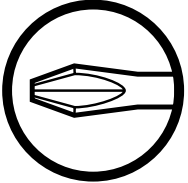
QUESTIONS? 1 866-901-1649

Assembly Manual / Guide d'assemblage / Manual de ensamblaje / 조립 설명서 / Montageanleitung

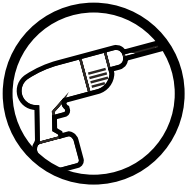




Use the hex keys in the box. / Utilisez les clés hexagonales fournies dans la boîte. /
Utilice las llaves hexagonales en la caja. / 상자에 육각 키를 사용 하십시오. / Verwenden Sie
die Sechskantschlüssel in der Box.



Please use a Phillips screwdriver. / Utilisez un tournevis de type Phillips / Por favor,
use un destornillador Phillips. / 십자 드라이버를 사용 하십시오. / Bitte verwenden
Sie einen Kreuzschraubenzieher.



You may need to use a drill for this step. / Vous pouvez avoir besoin d'utiliser une
perceuse pour cette étape. / Puede que tenga que utilizar un taladro para este paso. /
이 단계에선 드릴을 사용해야 할 수도 있습니다. / Für diesen Schritt können Sie einen
Bohrer verwenden.



Wearing protective gloves is recommended. / Le port de gants de protection est recommandé /
El uso de guantes de protección se recomienda. / 보호 장갑을 착용 하는 것이 좋습니다. /
Das Tragen von Schutzhandschuhen wird empfohlen.



Two or more people are required at this stage. / Deux personnes ou plus sont nécessaires à cette
étape. / Dos o más personas se requieren en esta etapa. / 이 단계에서는 두 명 이상 이 필요합니다. /
Für diesen Bauschritt sind 2 oder mehr Personen erforderlich.

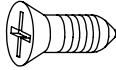


Do not tighten screws all the way for now. / Ne pas visser fermement pour l'instant. /
No atornille con firmeza por ahora. / 아직 나사를 단단히 조이지 마십시오. / Bitte die
Schrauben zum jetzigen Zeitpunkt noch nicht fest anziehen.




Sold separately. / Vendus séparément. / vendido en las opciones. /
옵션 판매 / Optional erhältlich

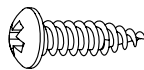
R X 16 (+4)




S X 32 (+4)



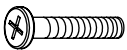
S1 X 16 (+2)



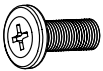
T X 40 (+6)



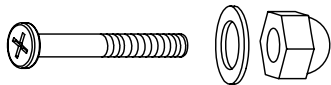
U X 80 (+8)




V X 74 (+8)



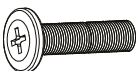
W X 24 (+3)



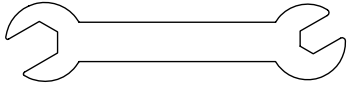
X X 3



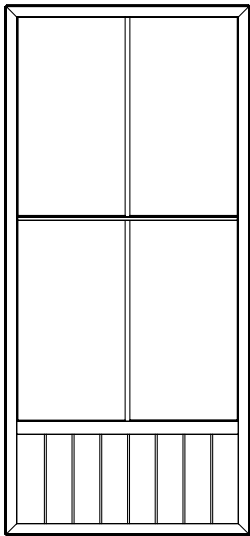
V1 X 3 (+1)



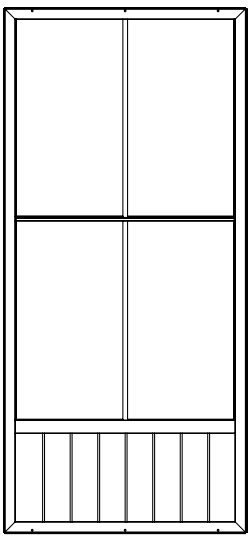
Y X 1



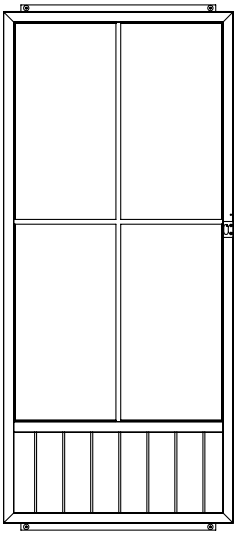
A X 12



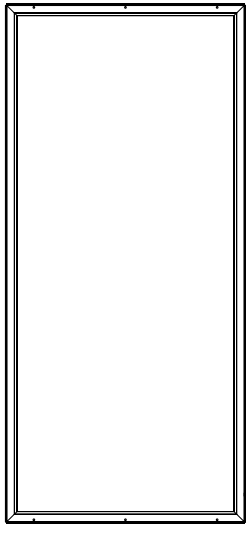
A1 X 2




B X 2




B1 X 2



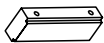
C X 16




D X 4




D1 X 8

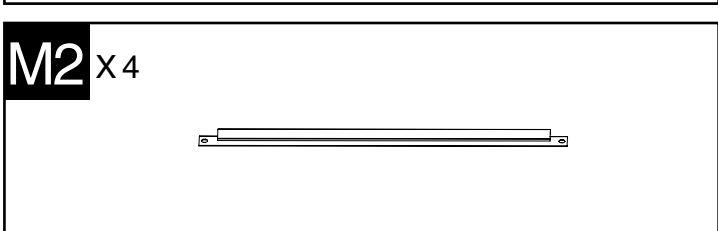
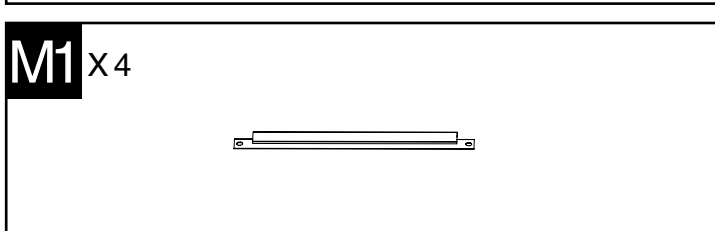
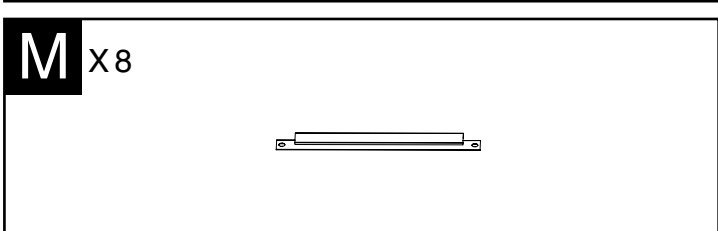
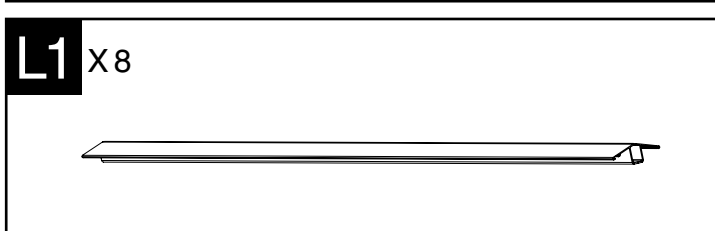
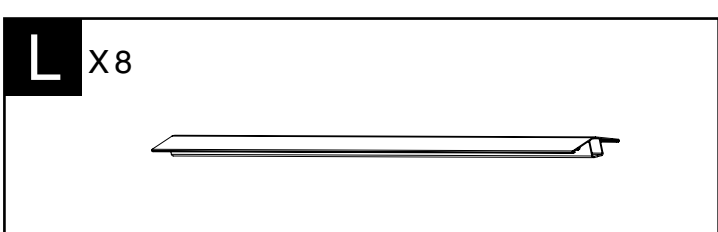
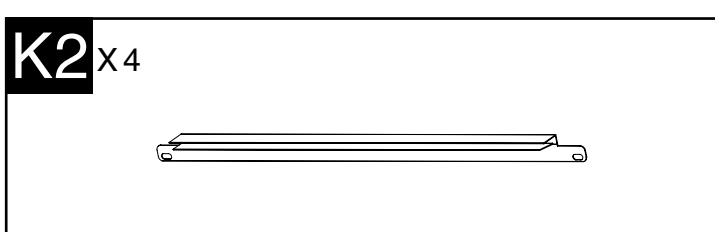
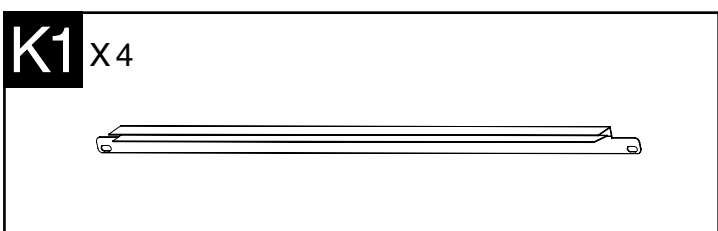
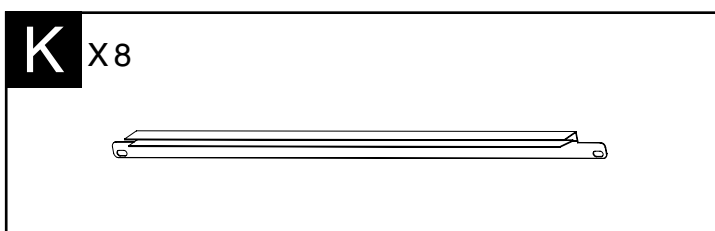
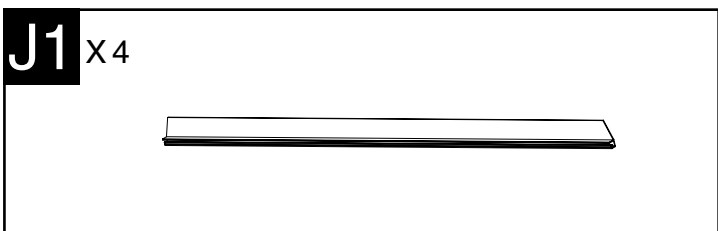
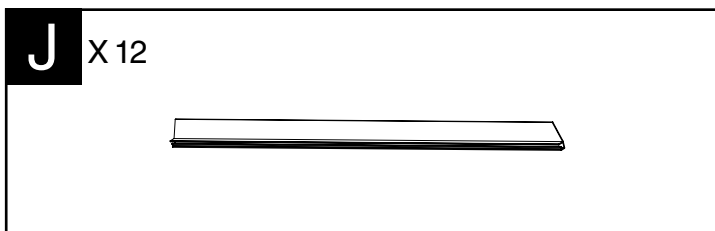
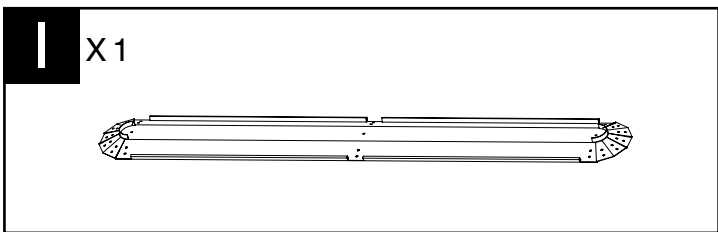
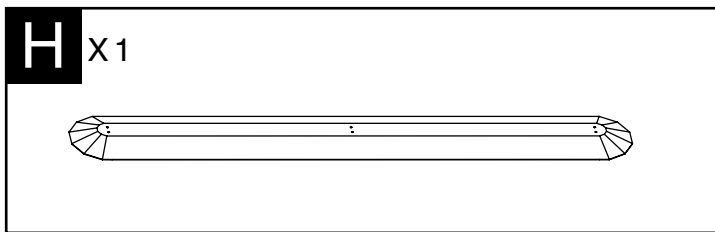
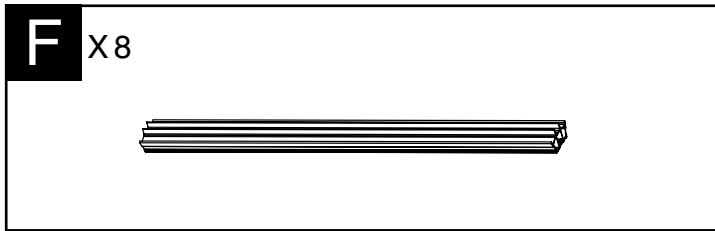


E X 8



E1 X 8





B3 x8

N x8

O x8

P x16

Q x2

Qa x4

Qb x4

Qc x4

Ra x4

Rb x4

R1a x4

R1b x4

Sa x4

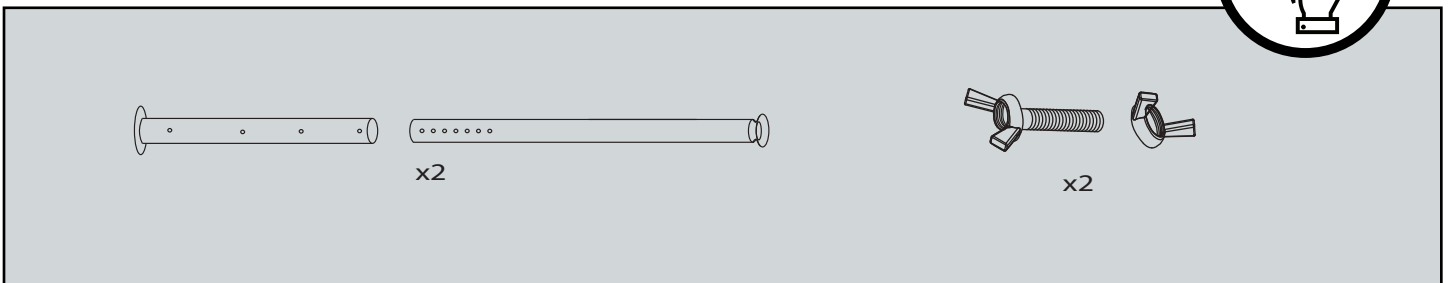
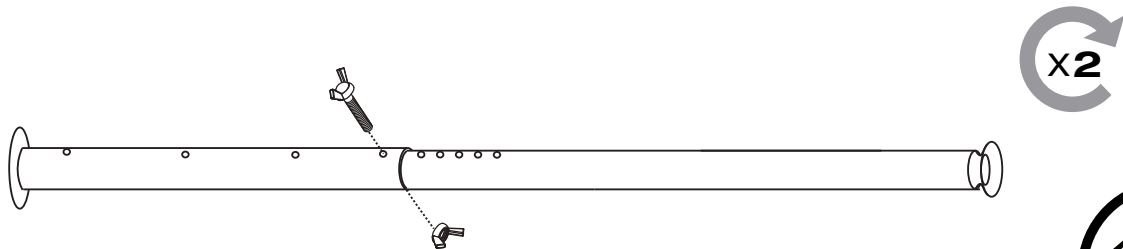
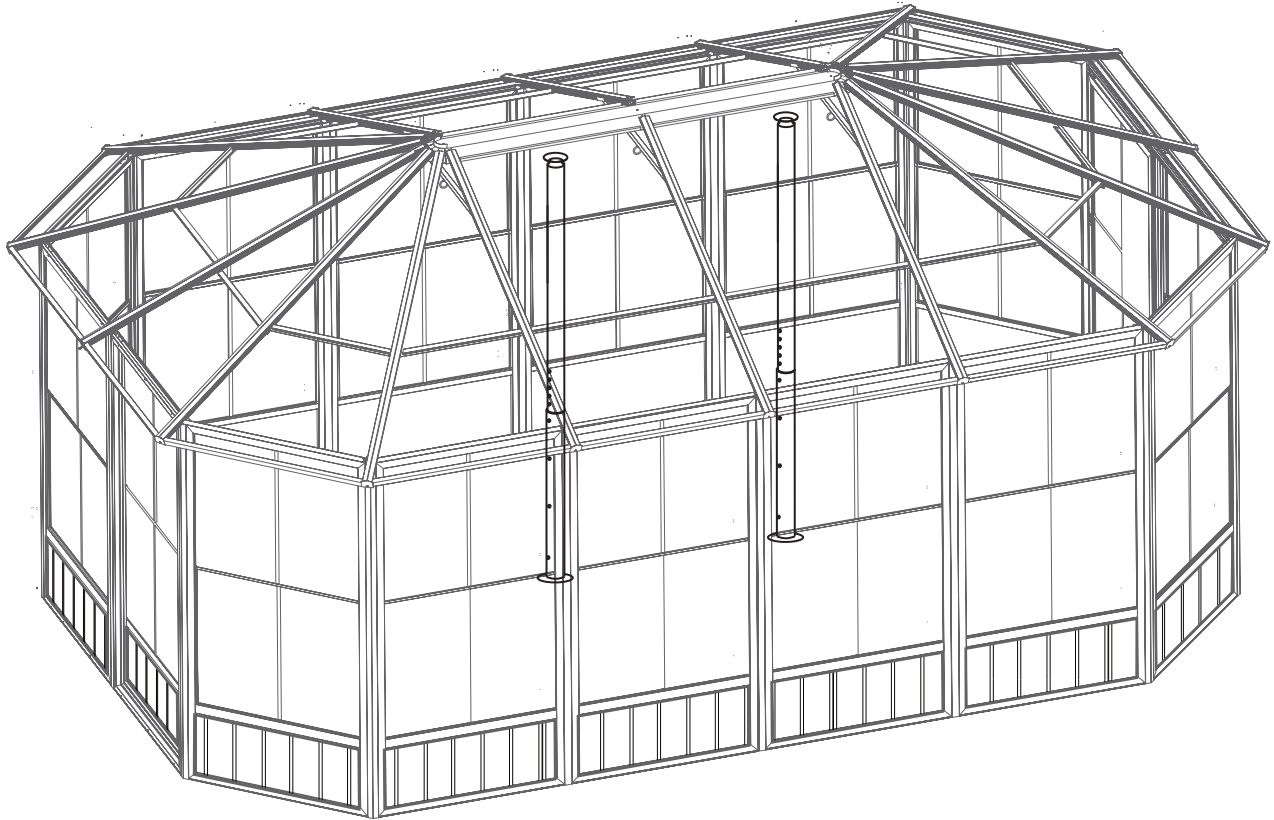
Sb x4

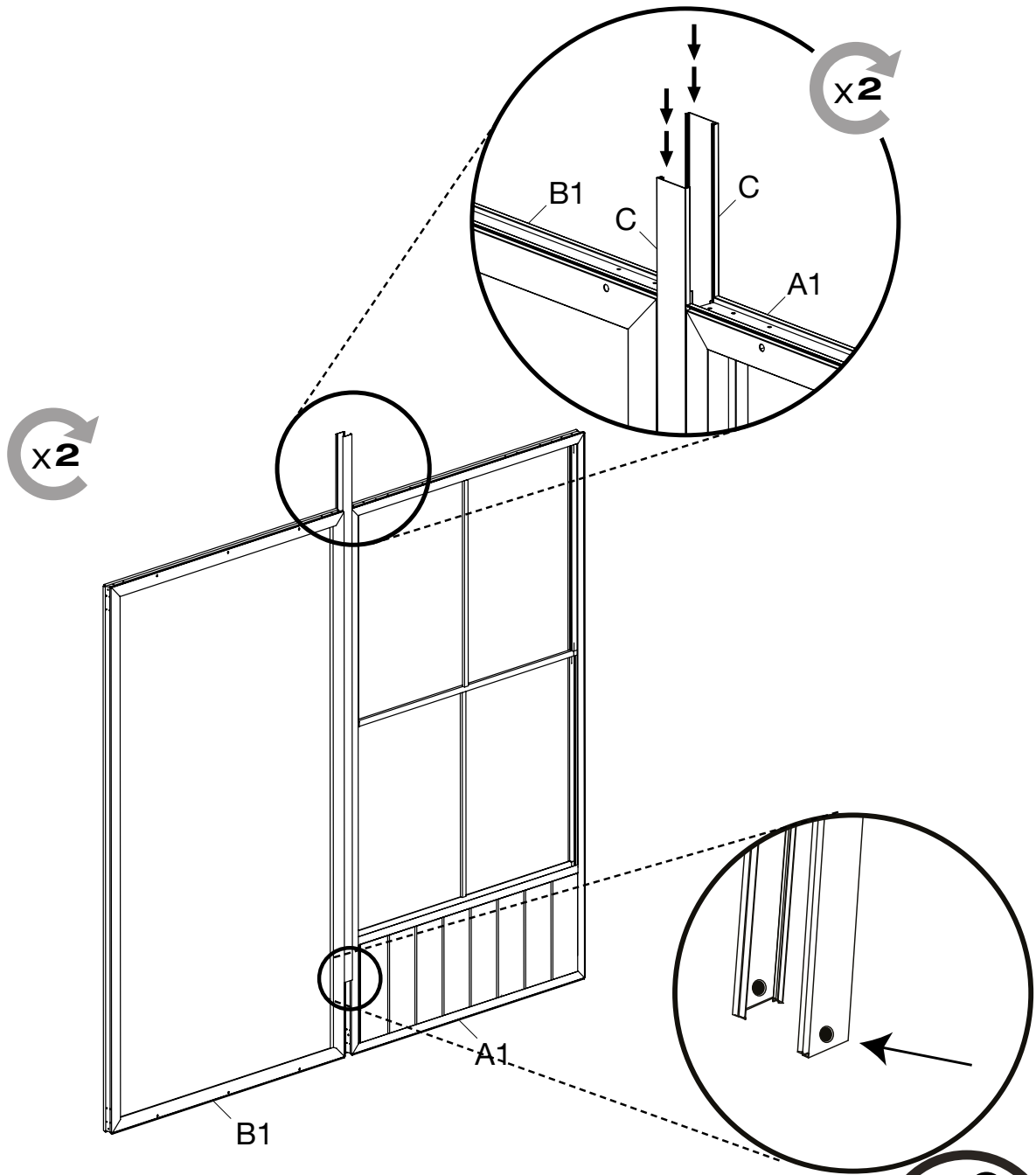
Z x3

Winter Bar / Barre hivernale Ajustable

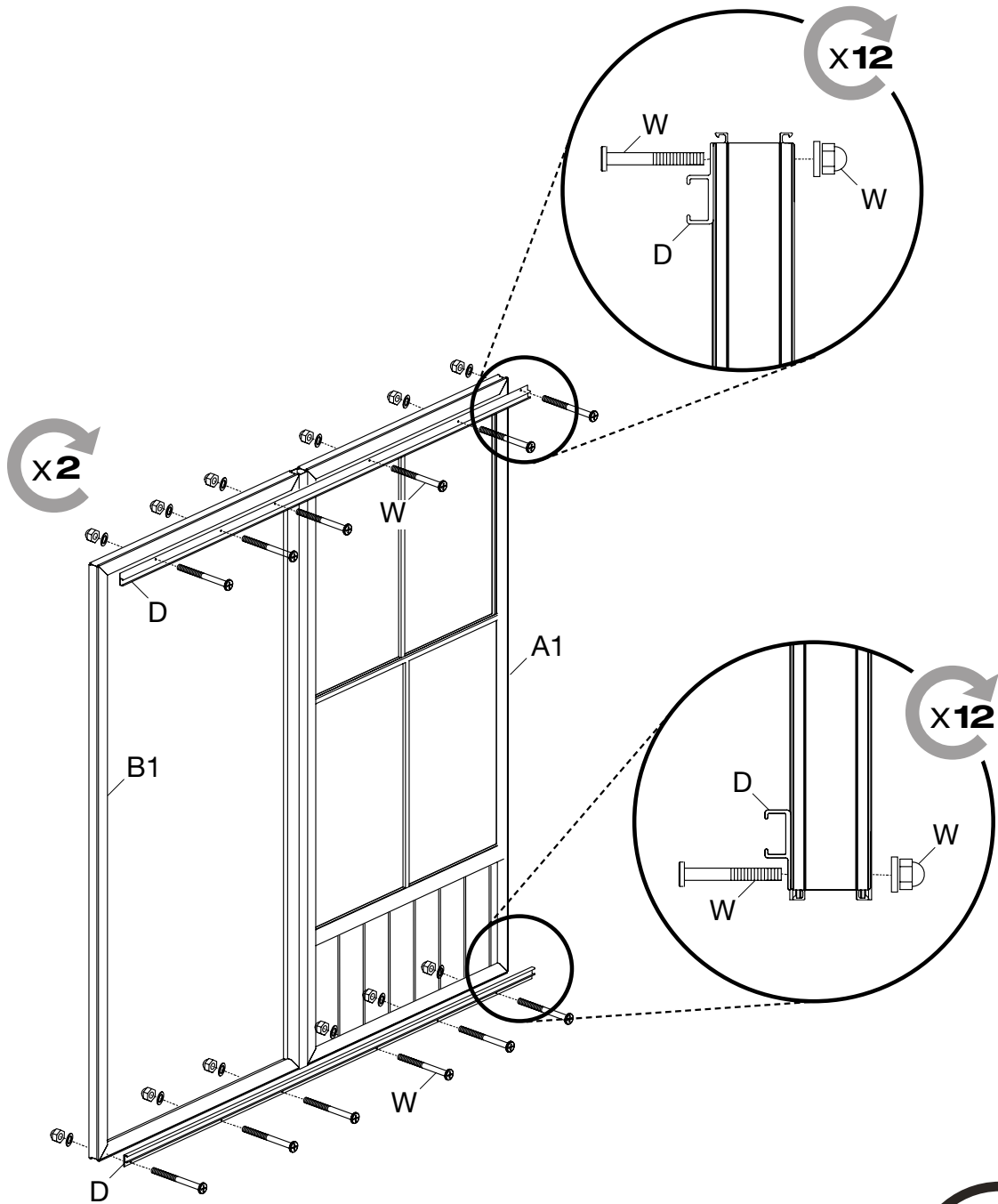
X2

X2

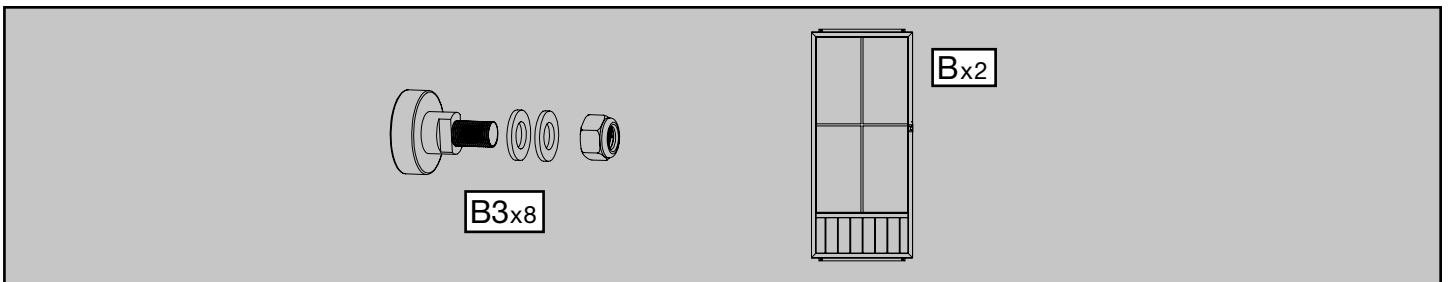
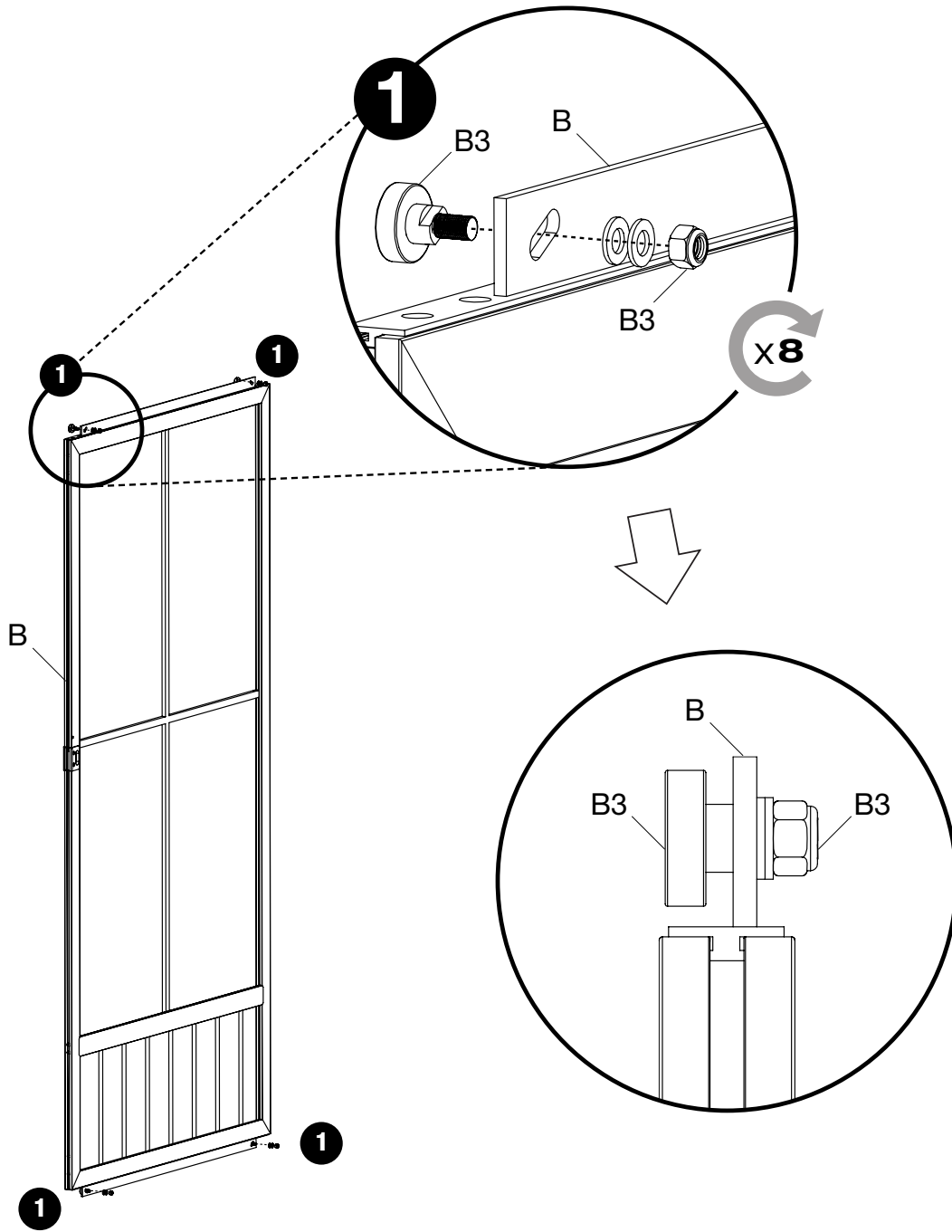


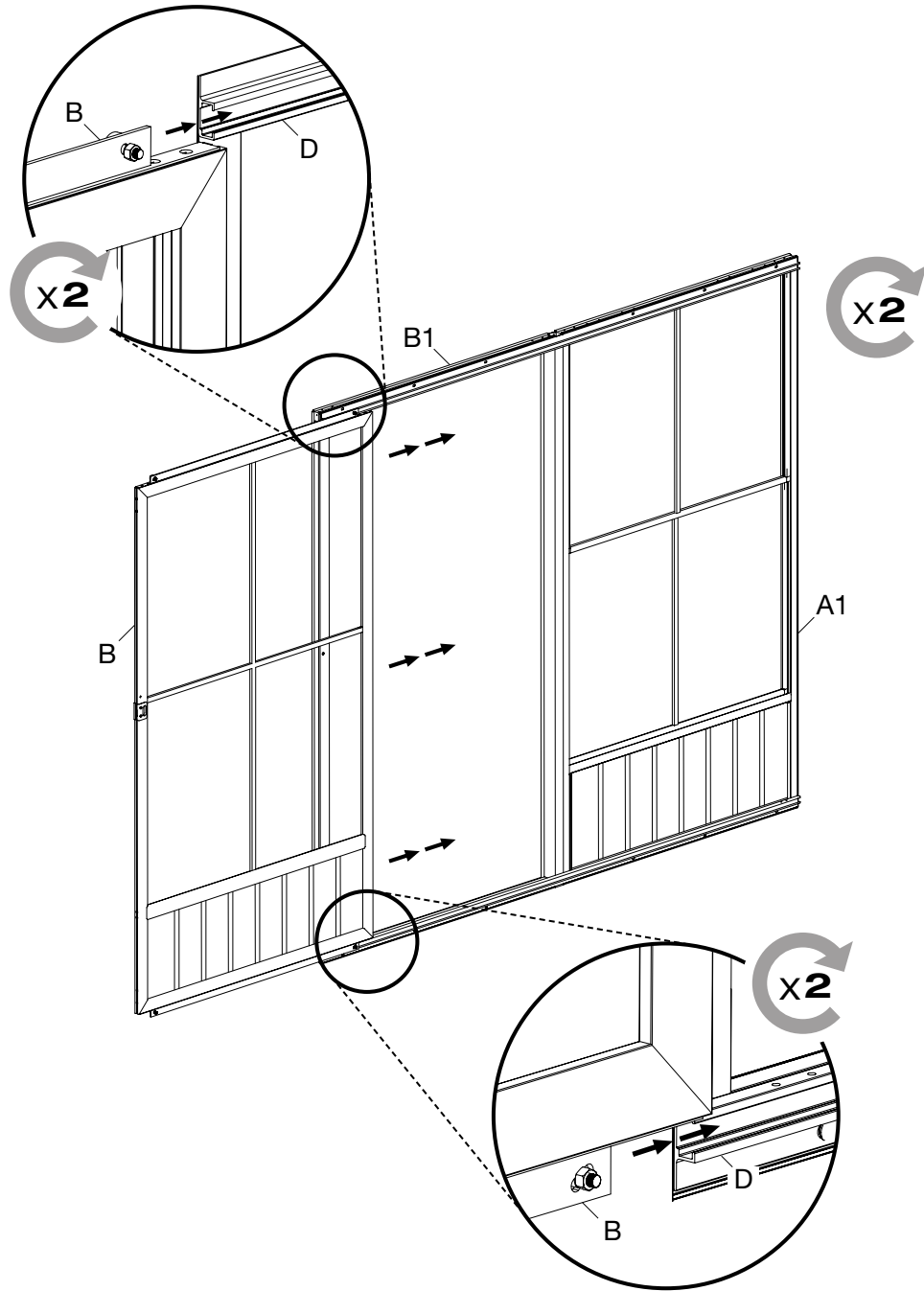


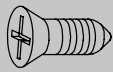
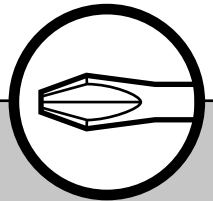
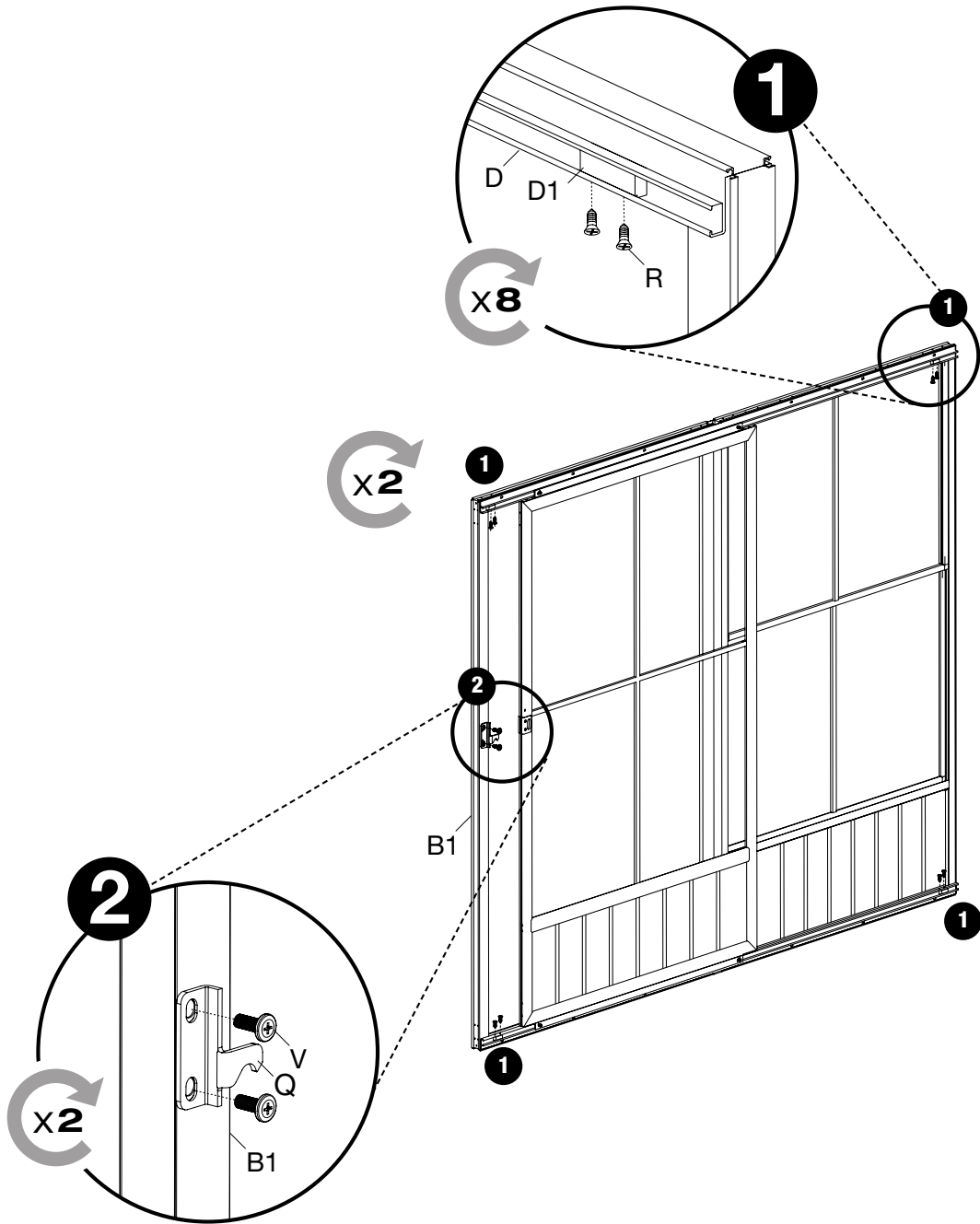
This section contains a parts list and an icon. On the left, there are two window icons: the first is labeled 'A1x2' and the second is labeled 'B1x2'. In the center, there is a long horizontal bar labeled 'Cx4'. On the right, there is a circular icon containing two stylized human figures and the text '2+', indicating that two people are required for installation.



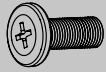
This section contains the parts list and an icon for two people. The parts list includes a screw labeled Wx24, a washer, a nut, and a frame labeled Dx4. The icon shows two stylized human figures with the text 2+ below them, indicating that two or more people are required for the assembly.



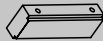




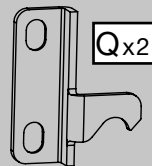
Rx16



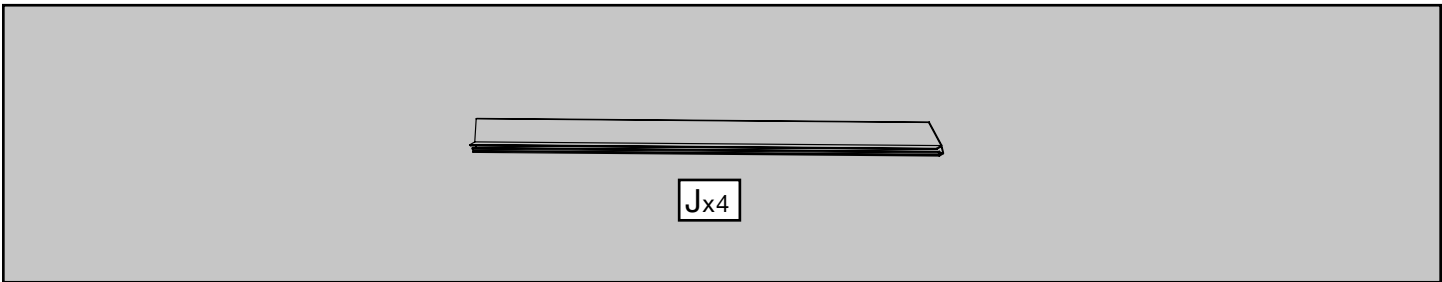
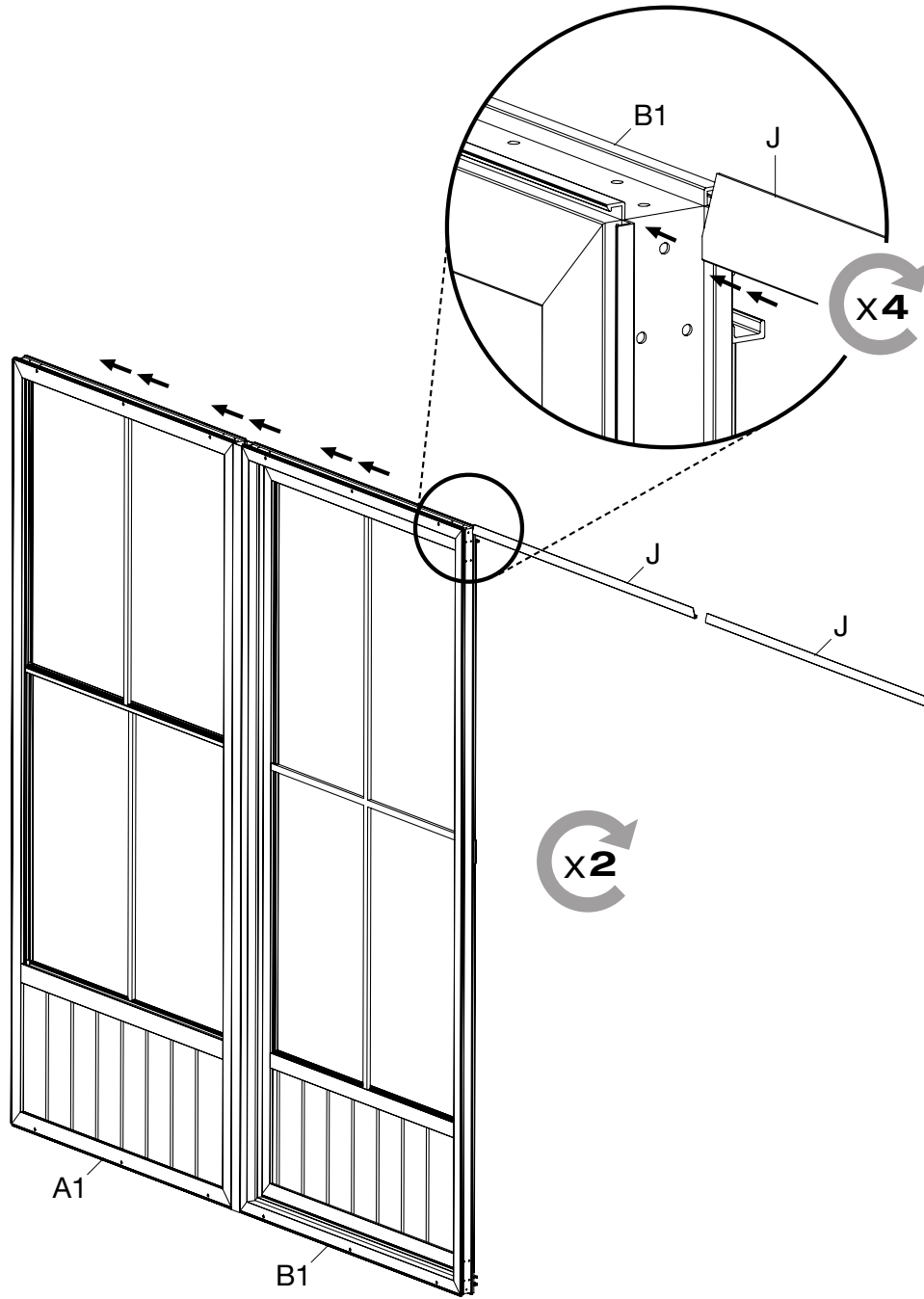
Vx4

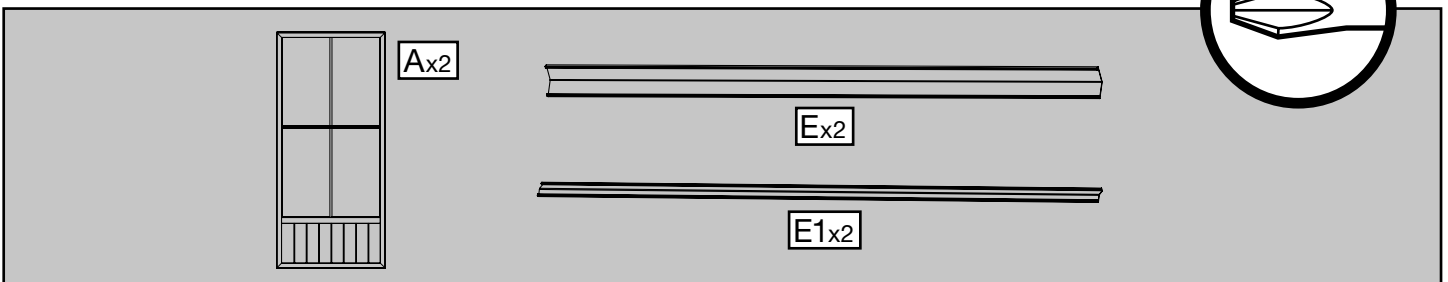
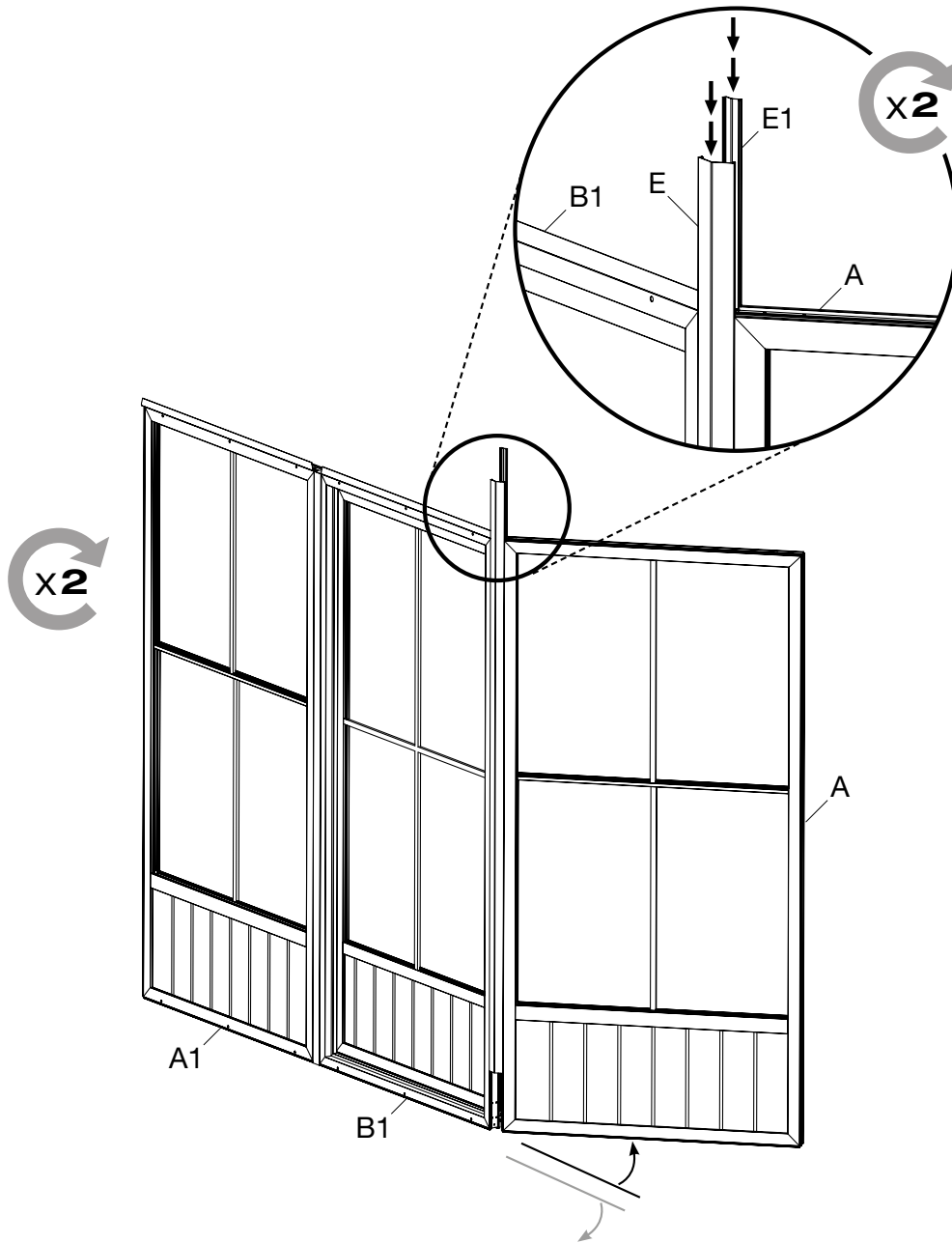


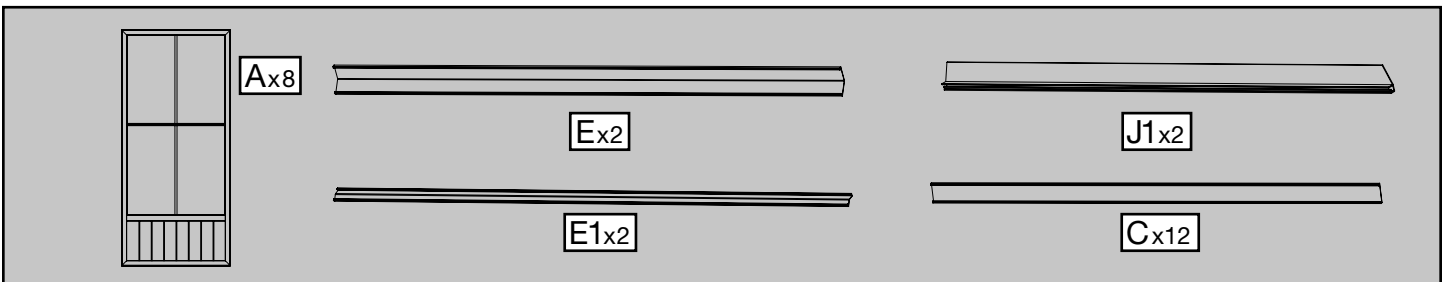
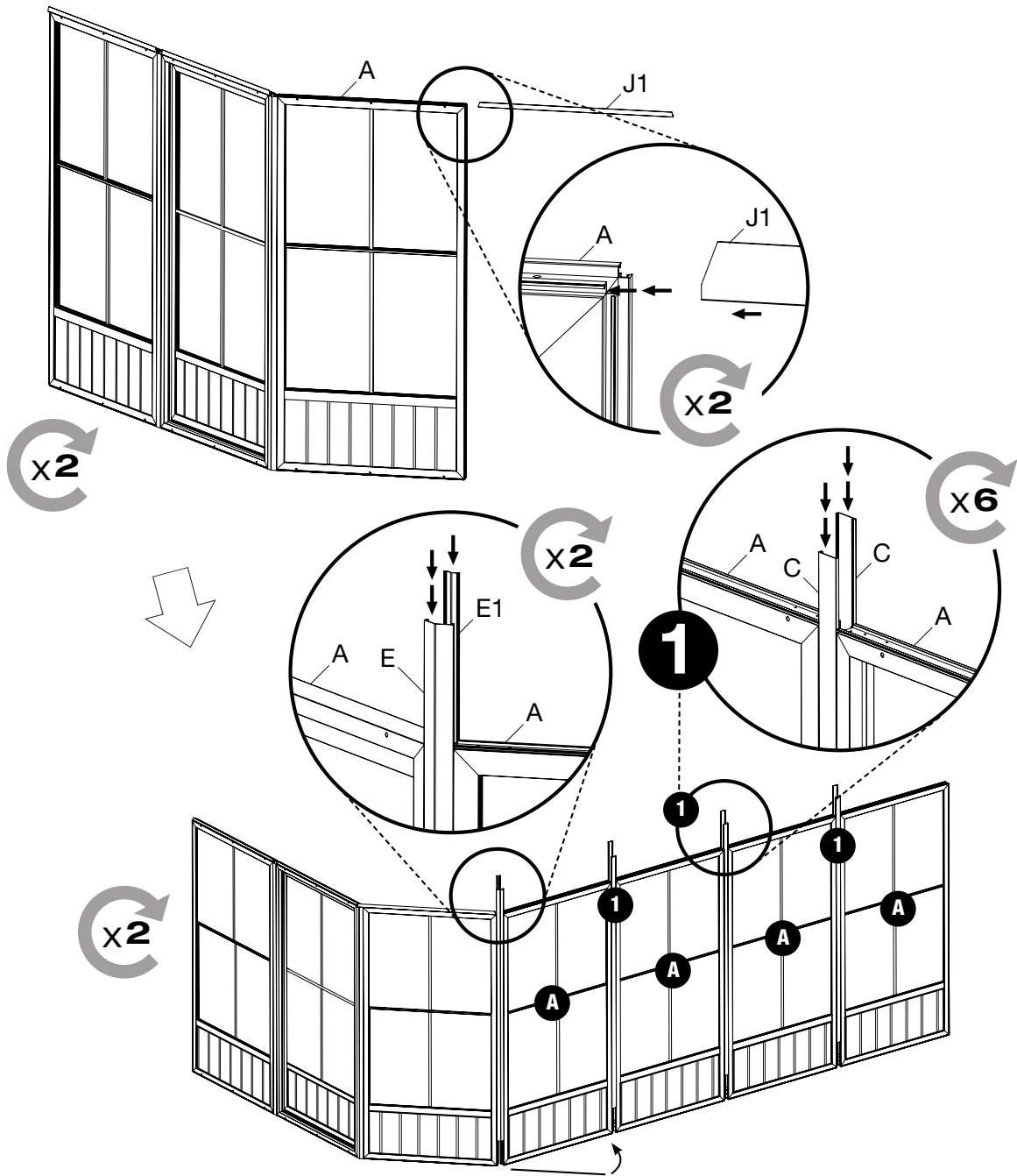
D1x8

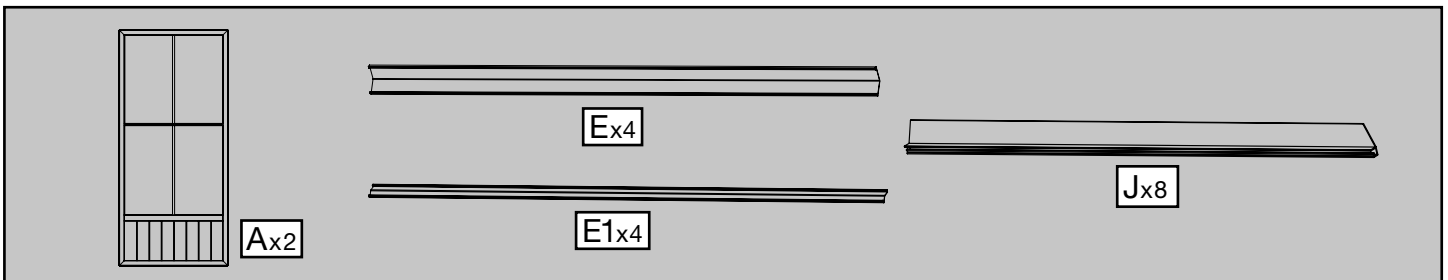
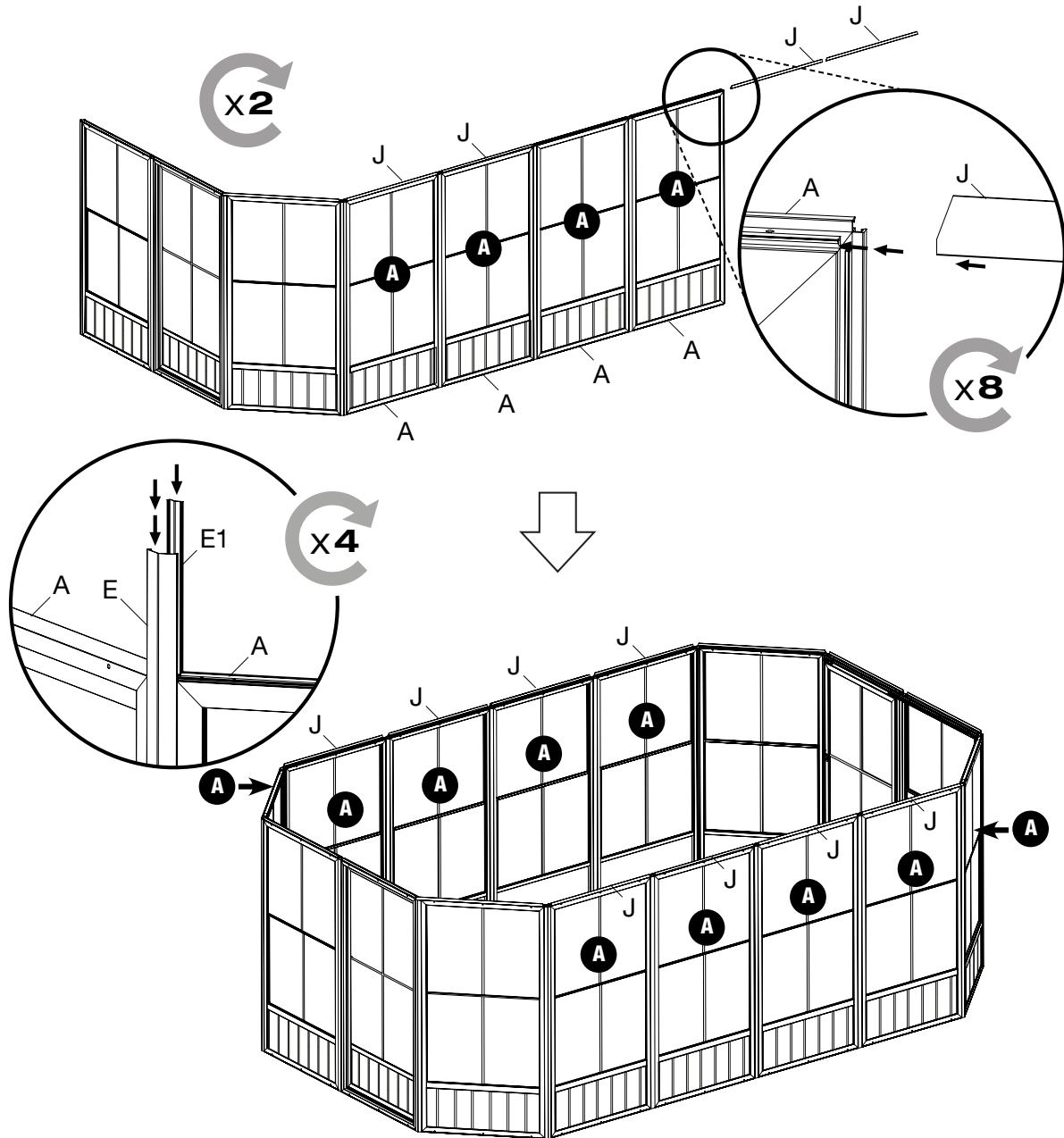


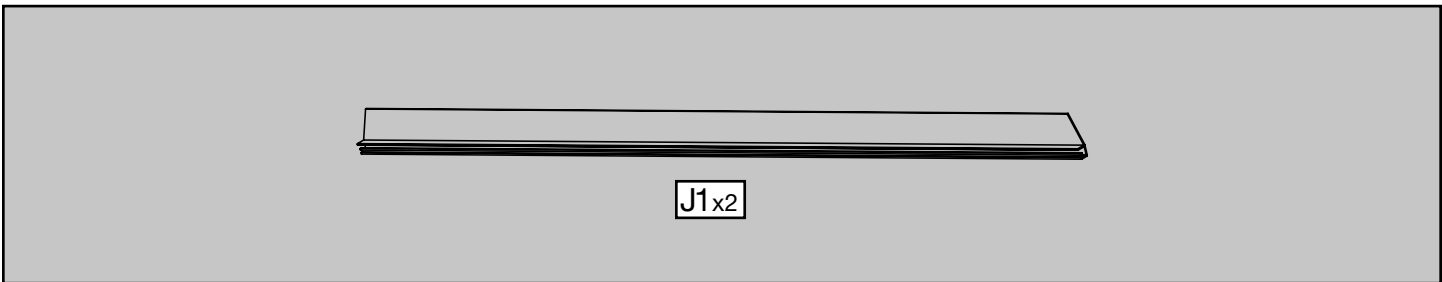
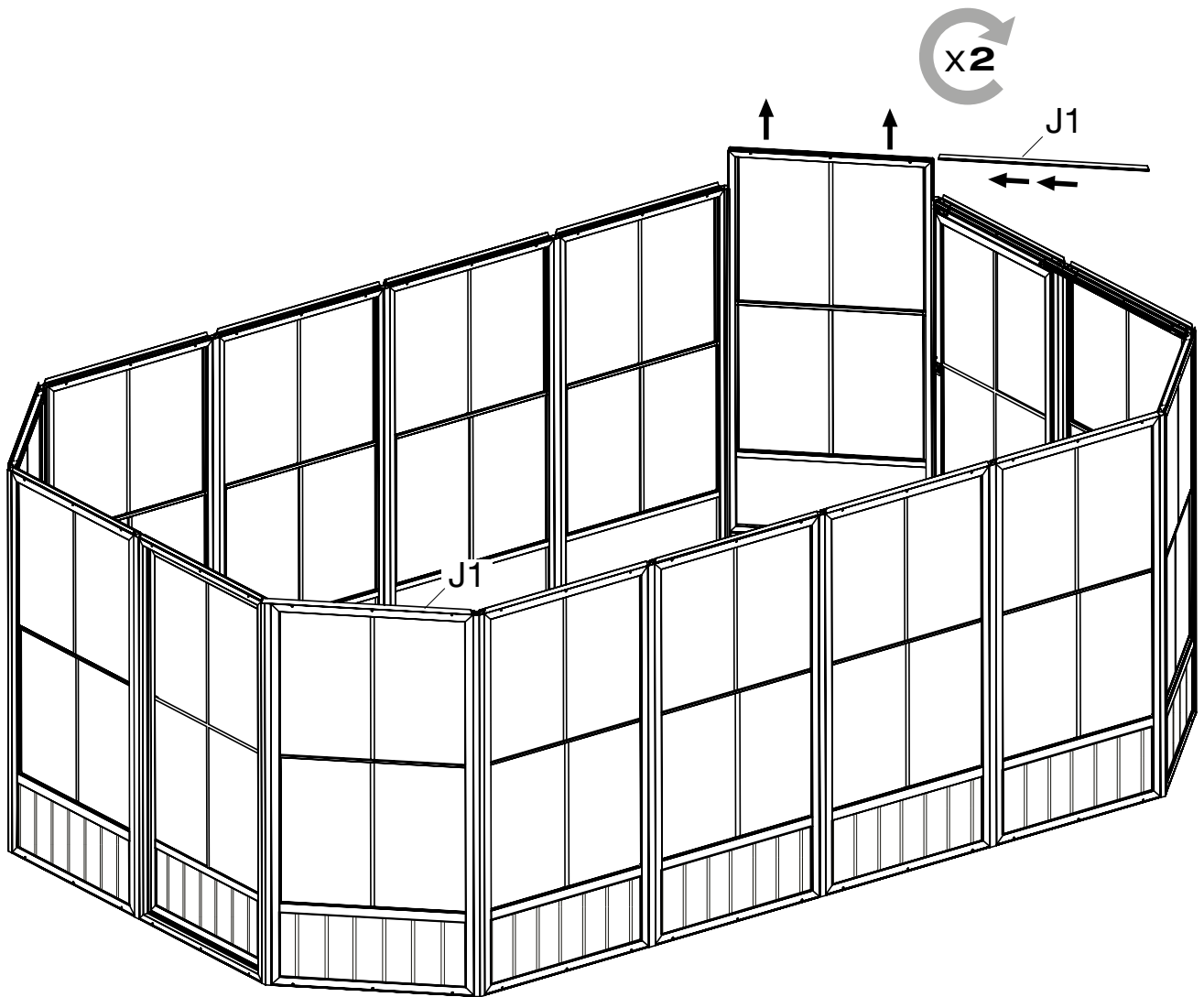
Qx2

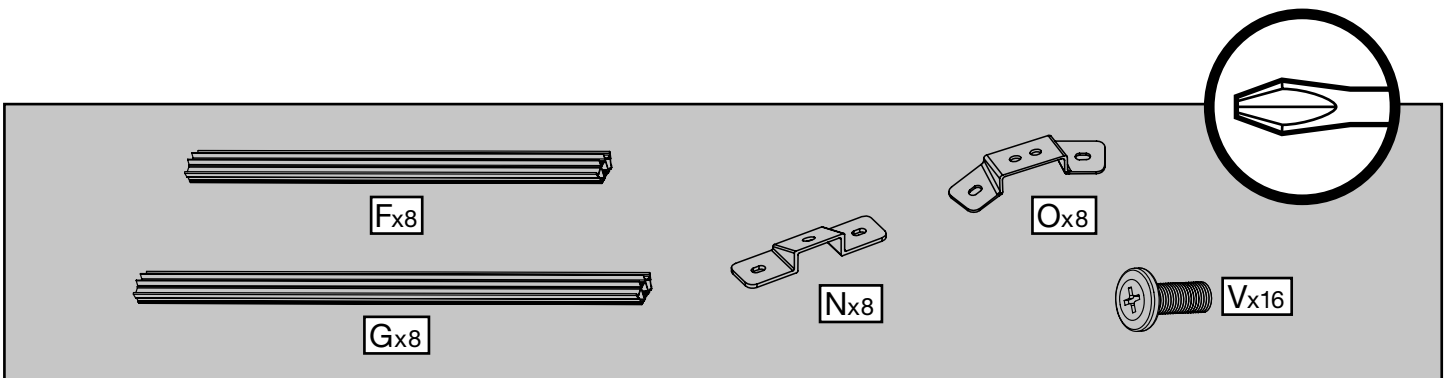
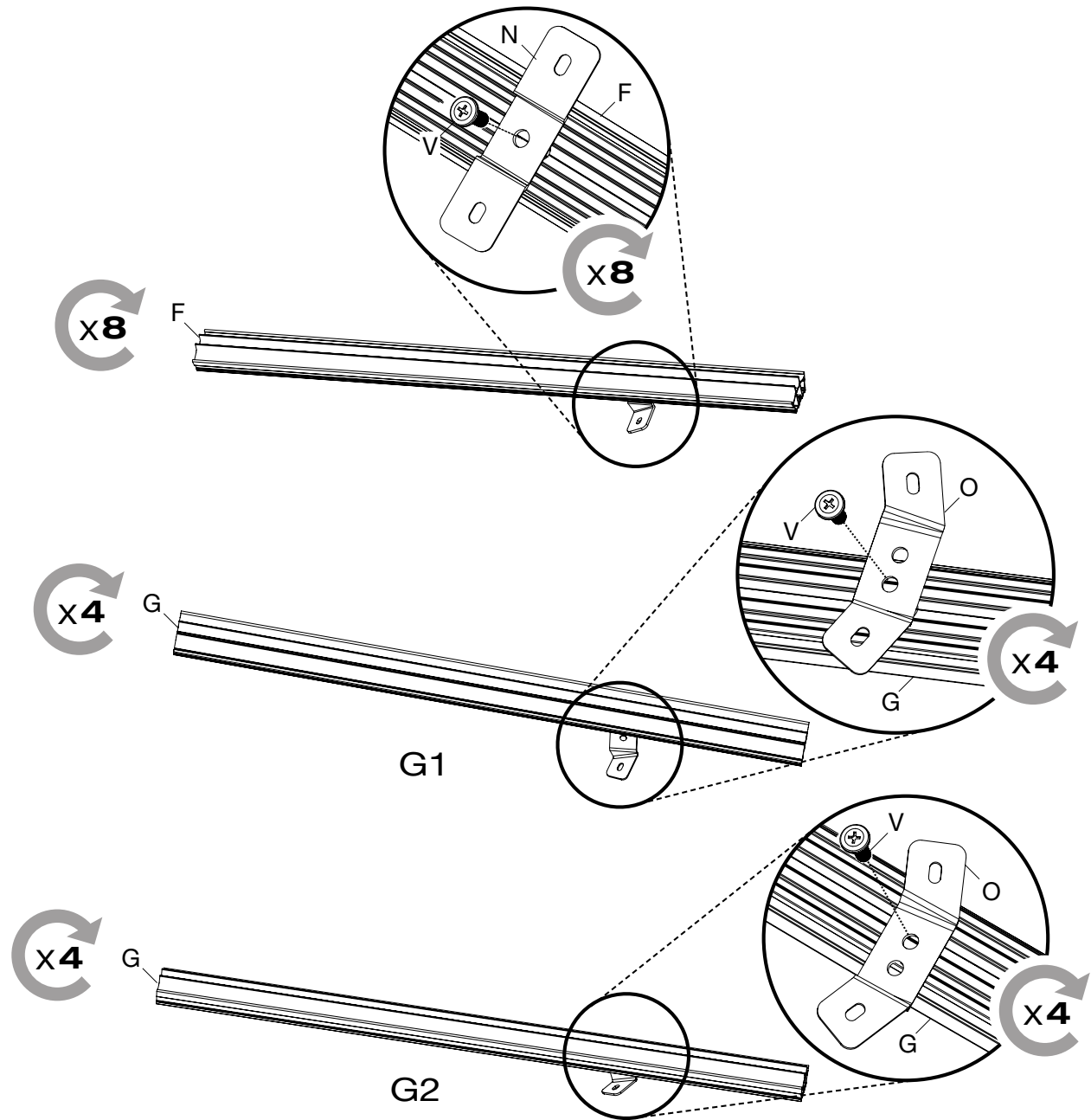


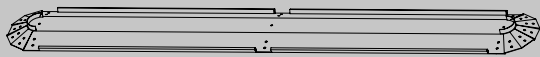
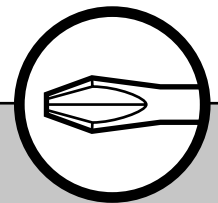
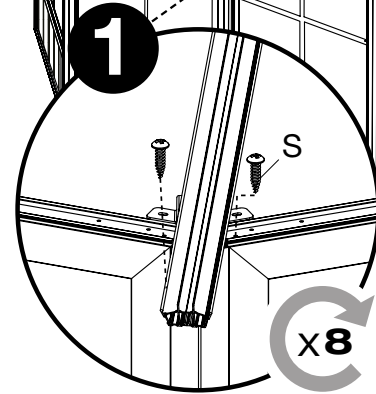
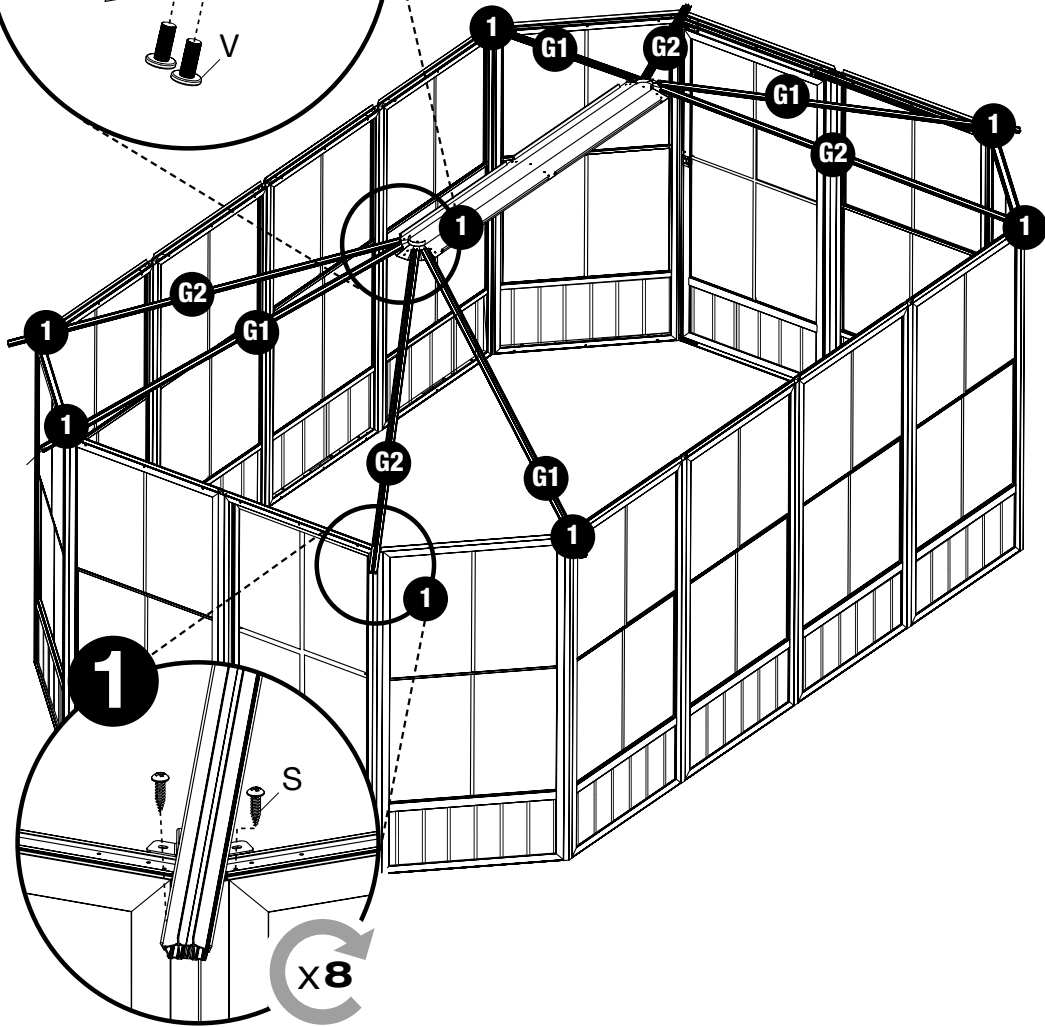
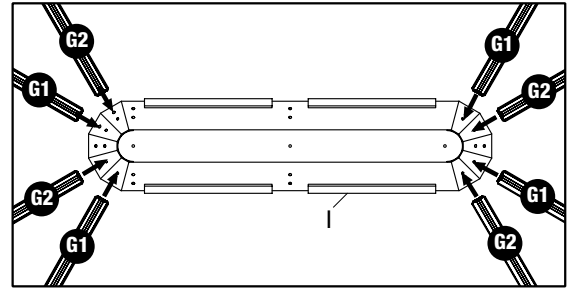
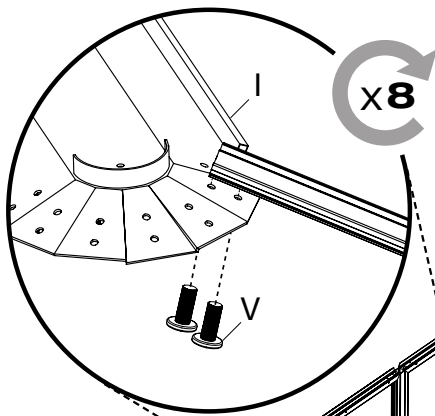




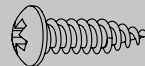




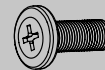




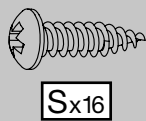
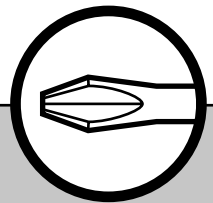
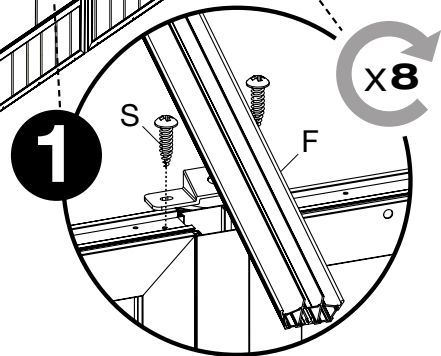
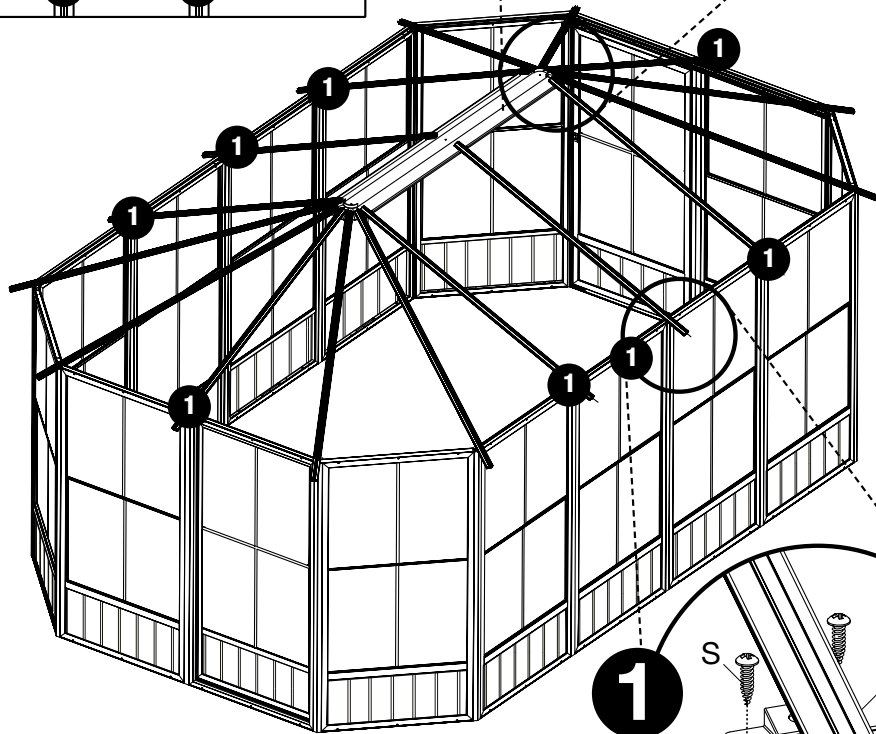
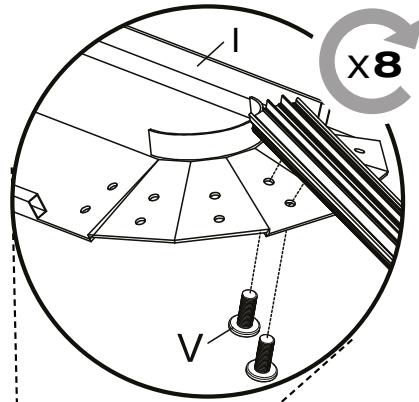
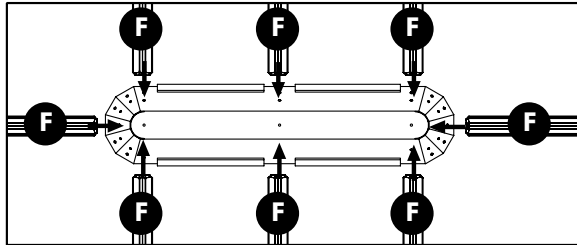
Ix1

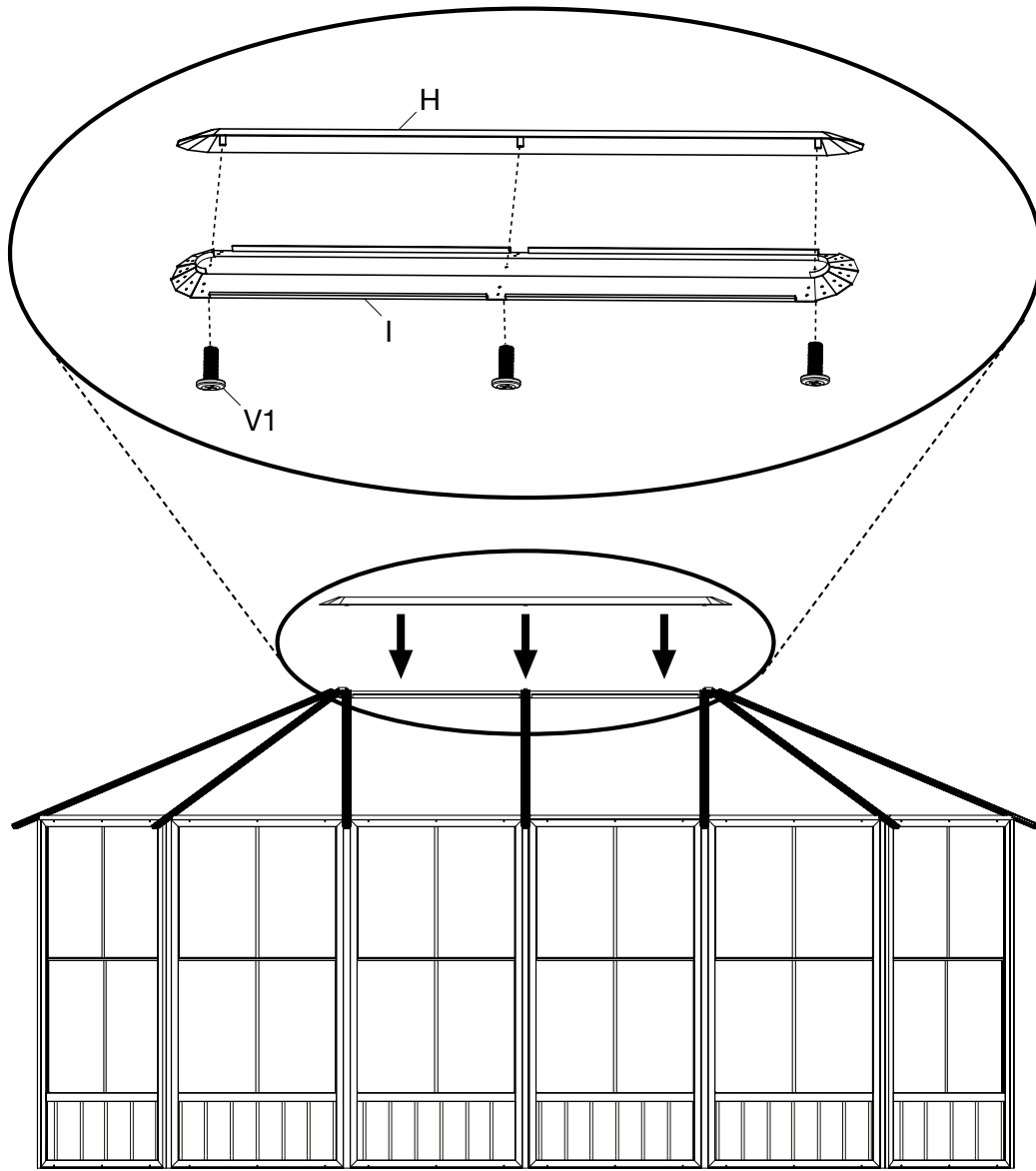


Sx16



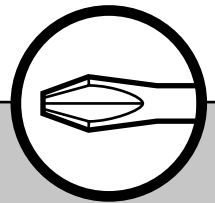
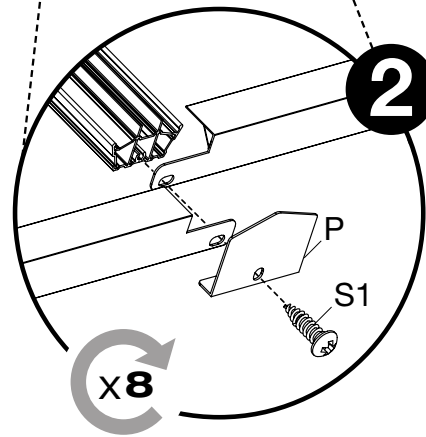
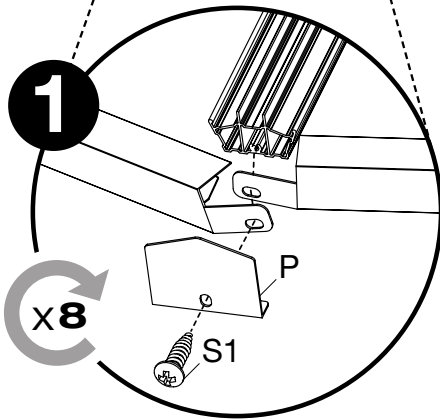
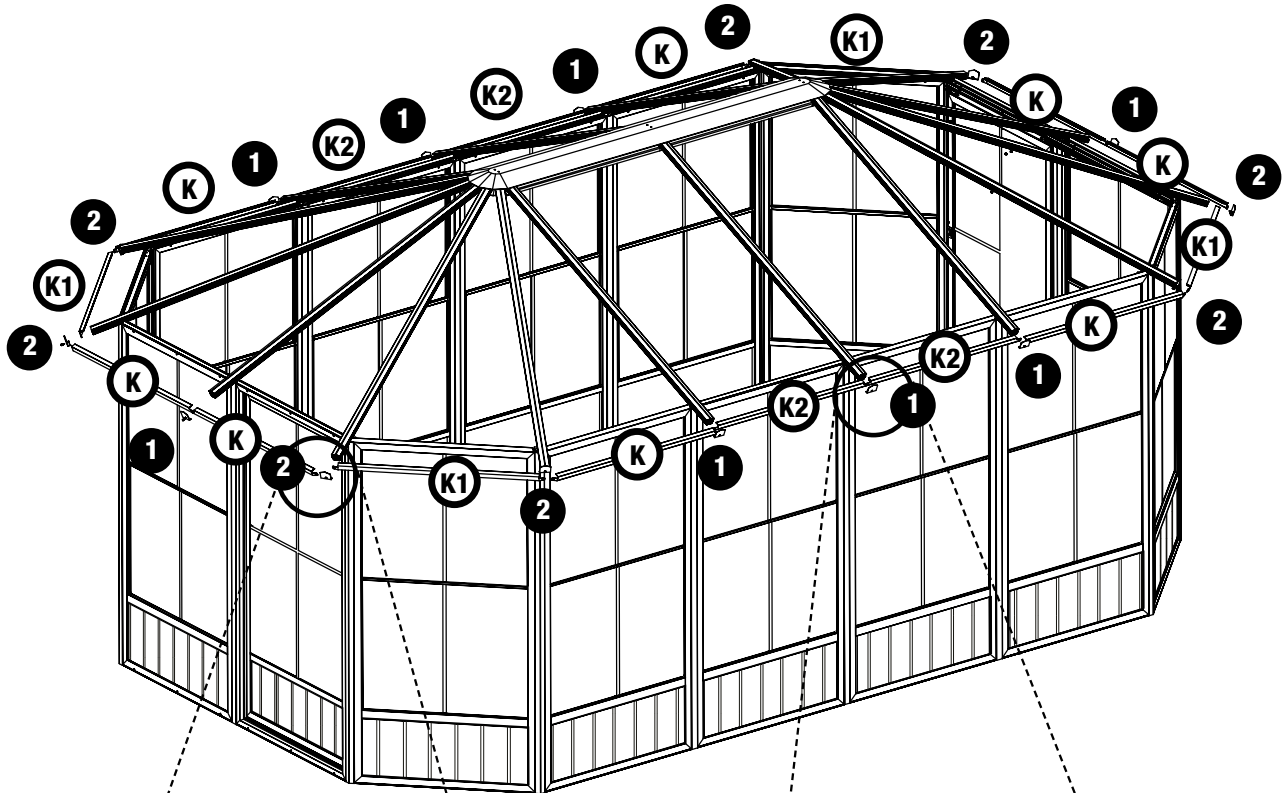
Vx16



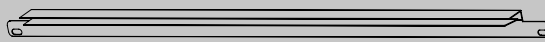


Parts list and safety icons:

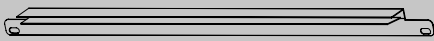
- Shelf: $H \times 1$
- Screws: $V1 \times 3$
- Safety icons: No hand icon, Hand icon holding a screwdriver.



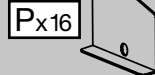
Kx8



K2x4



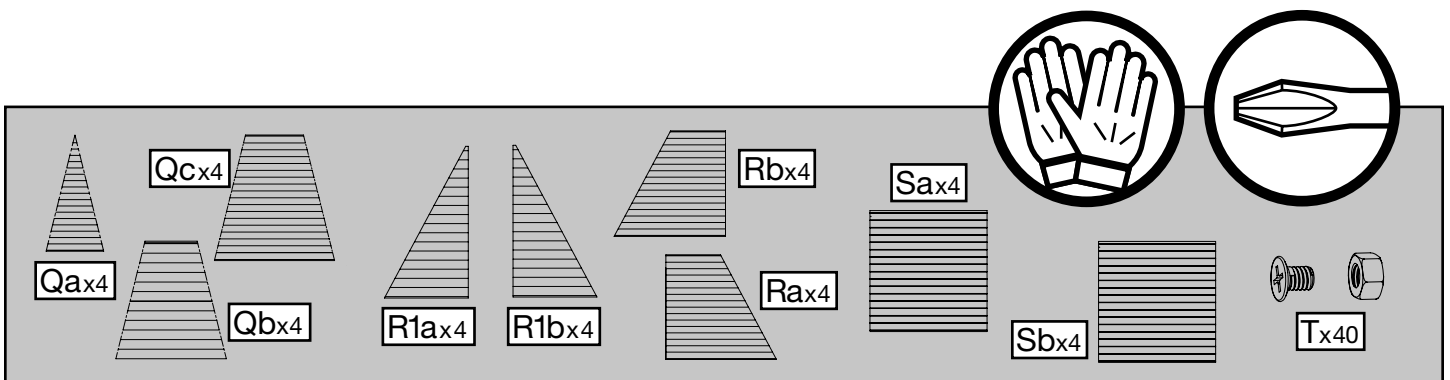
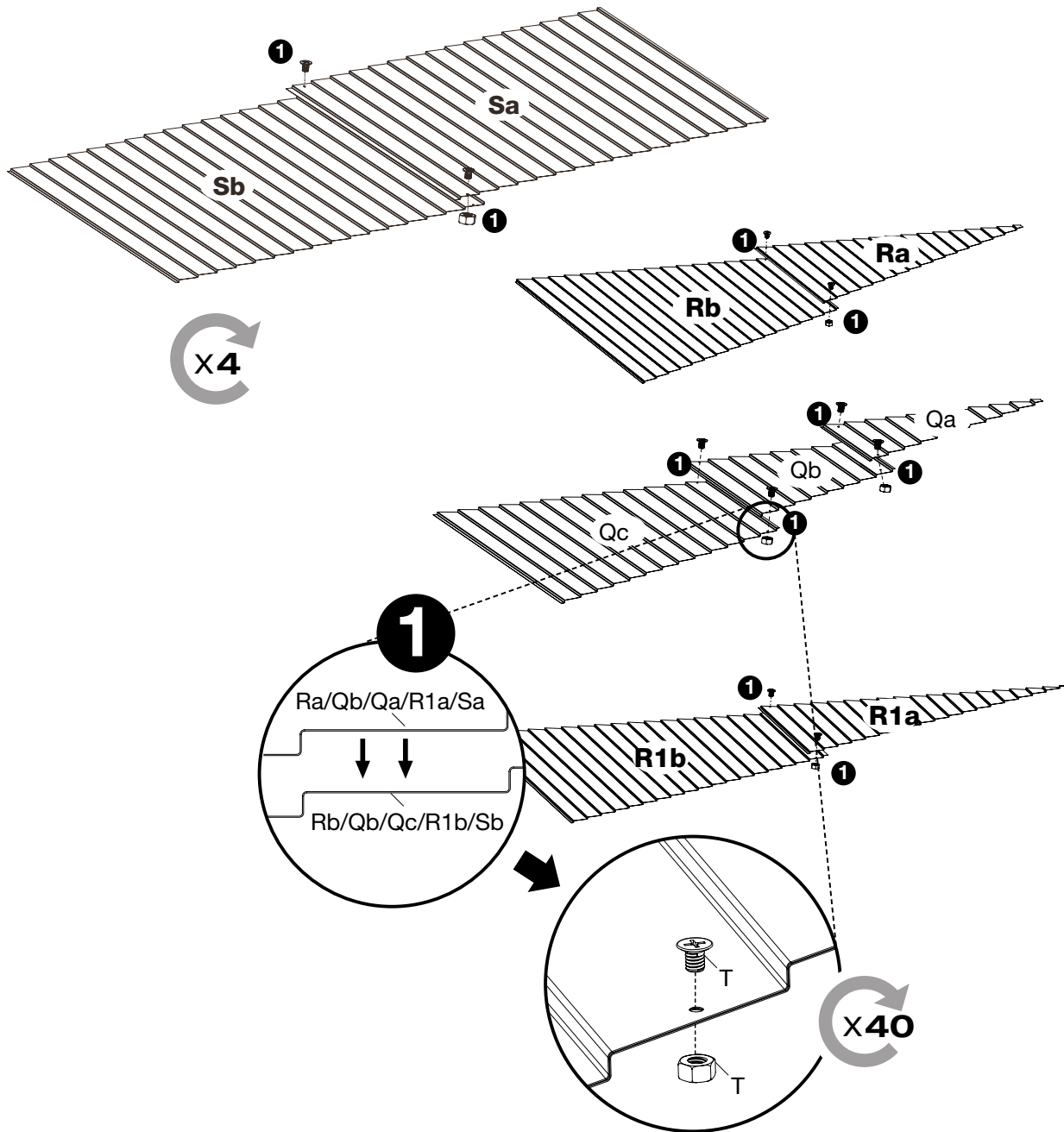
K1x4

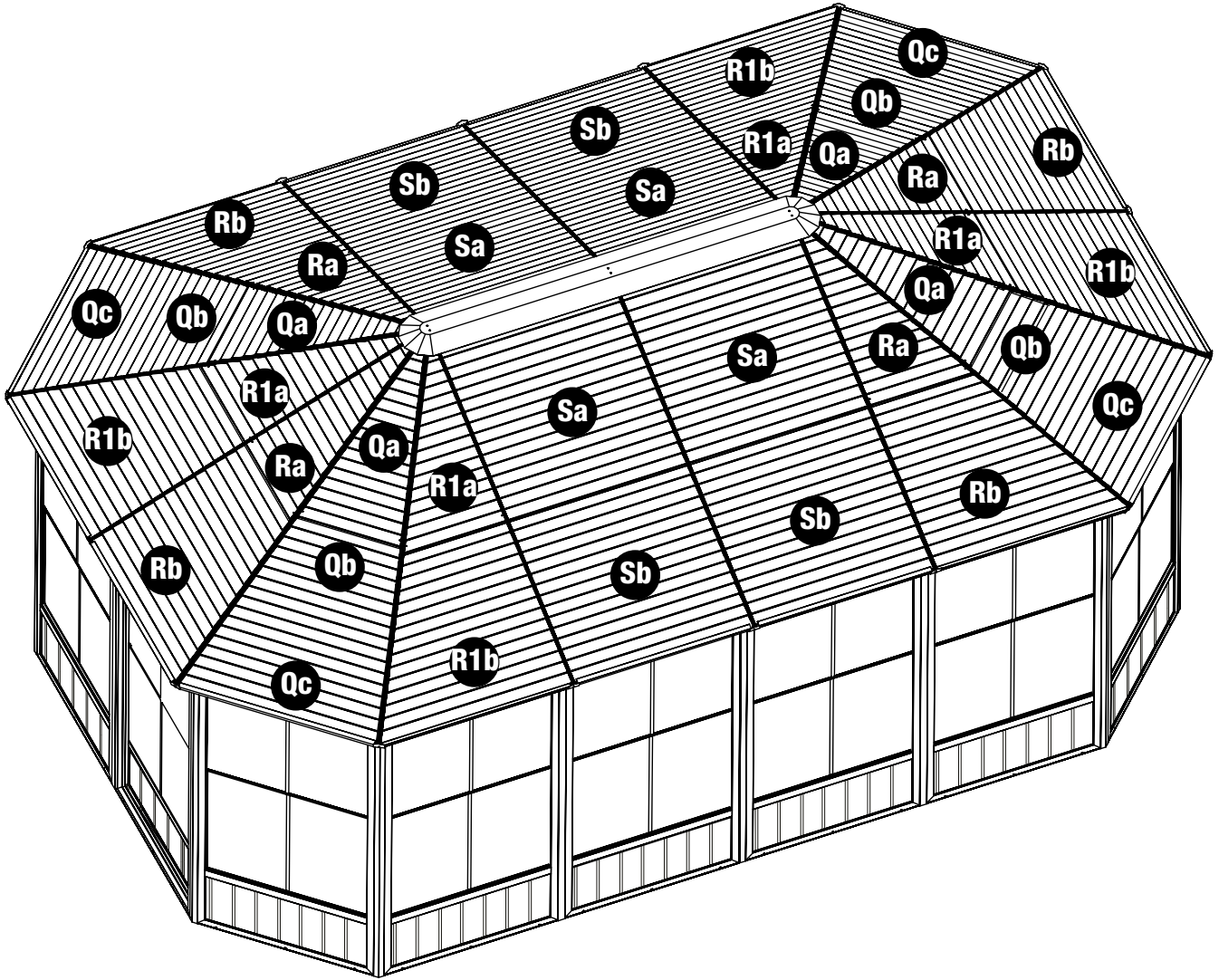


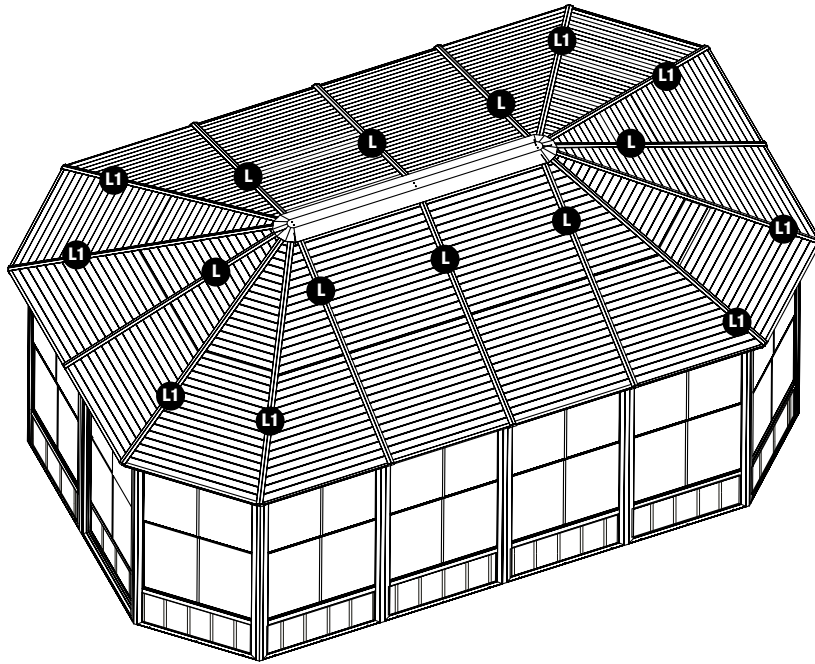
Px16



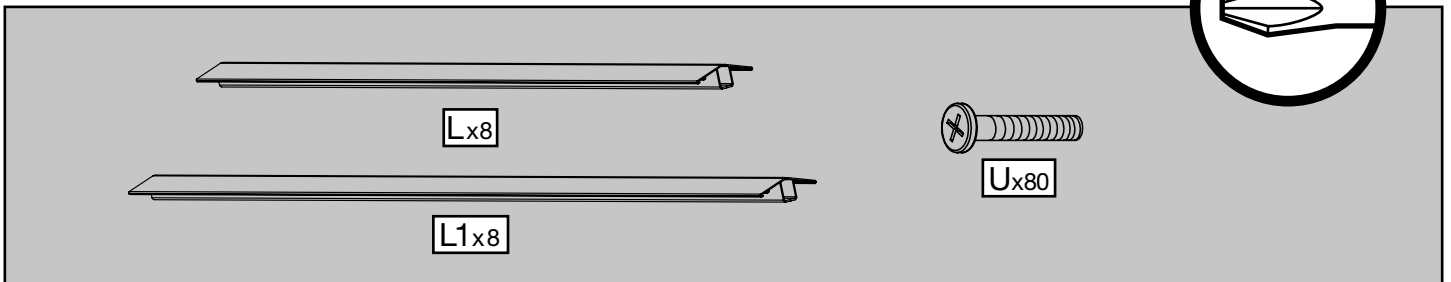
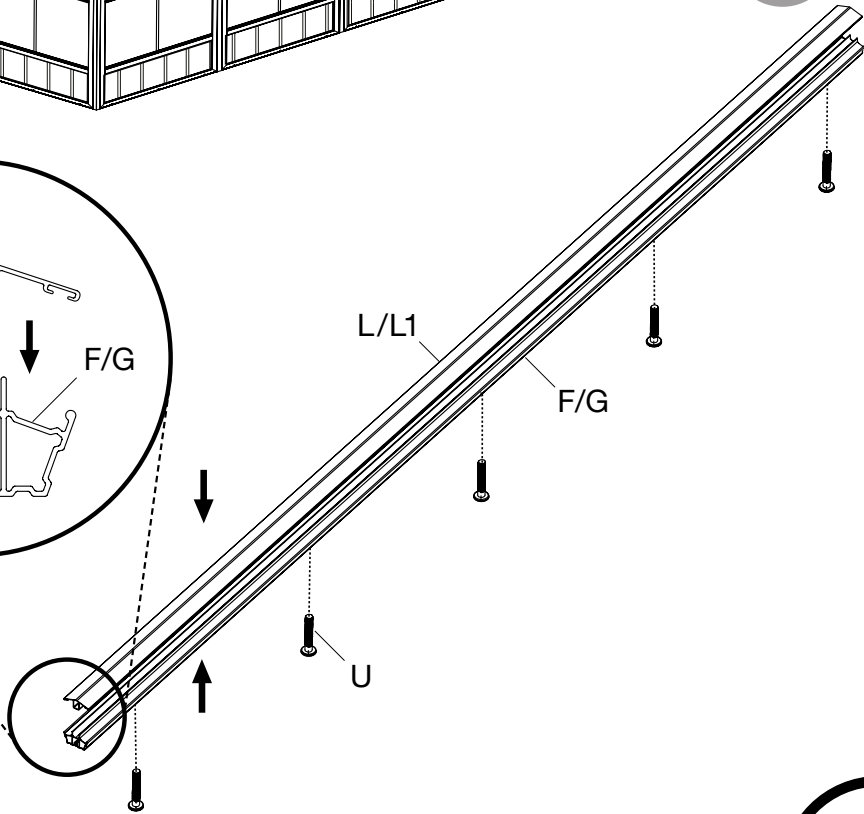
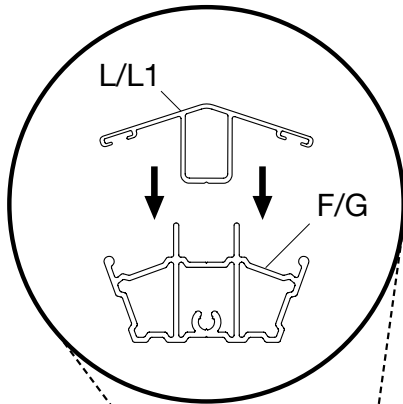
S1x16

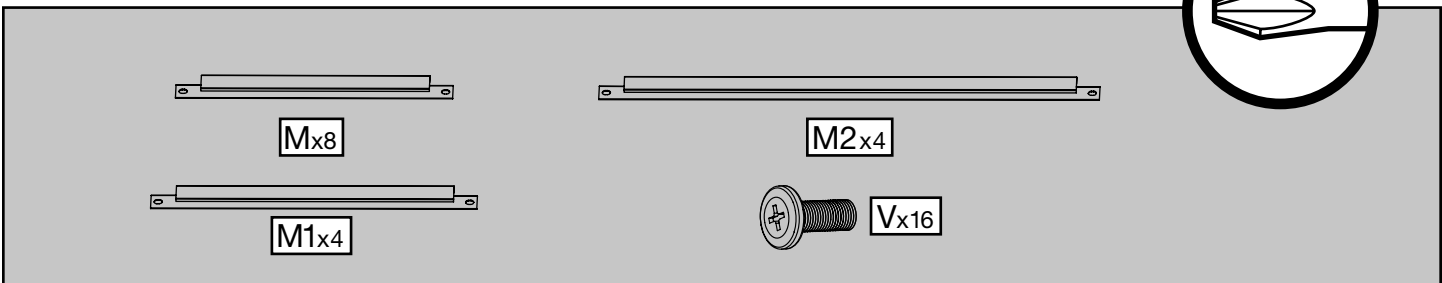
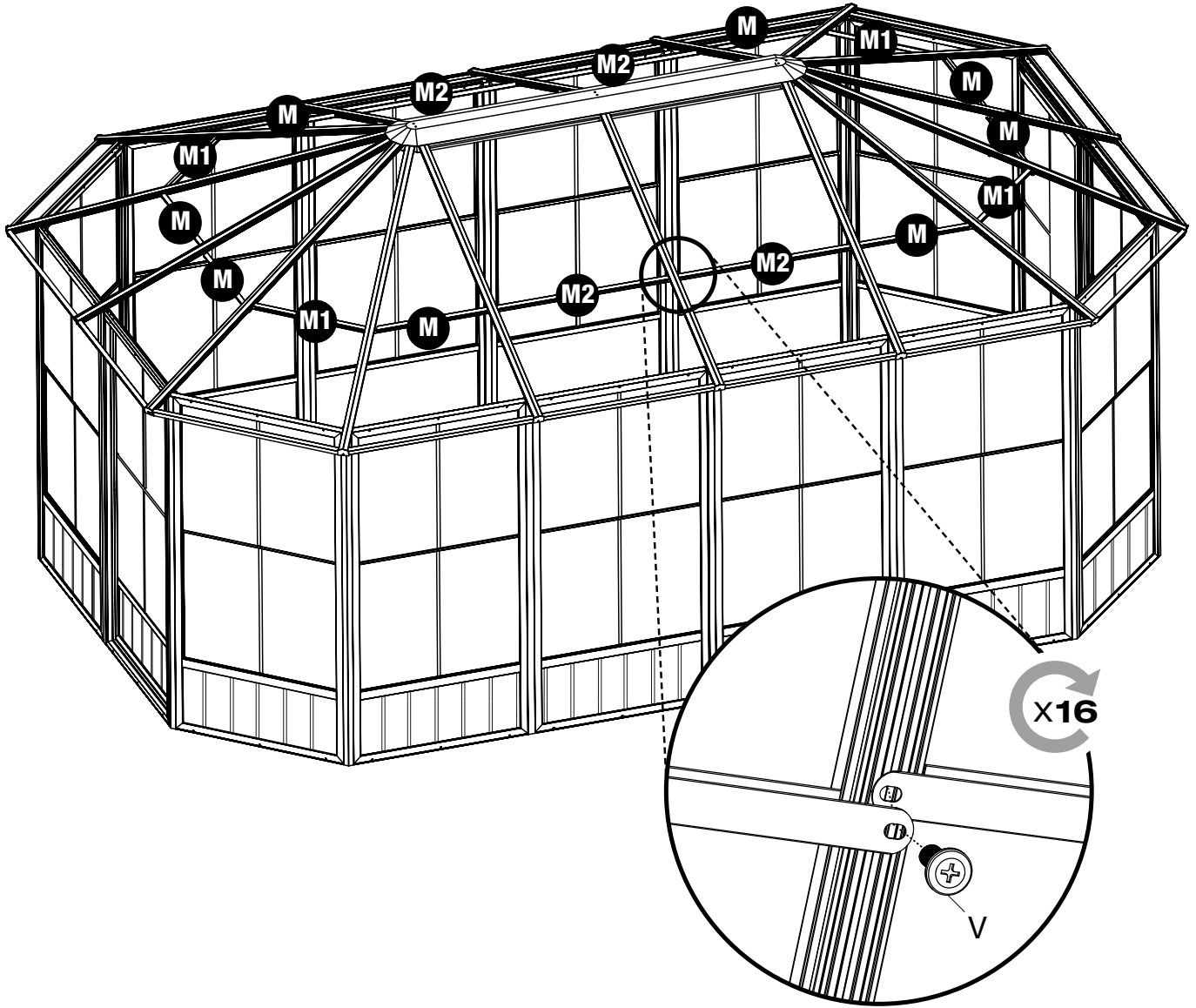


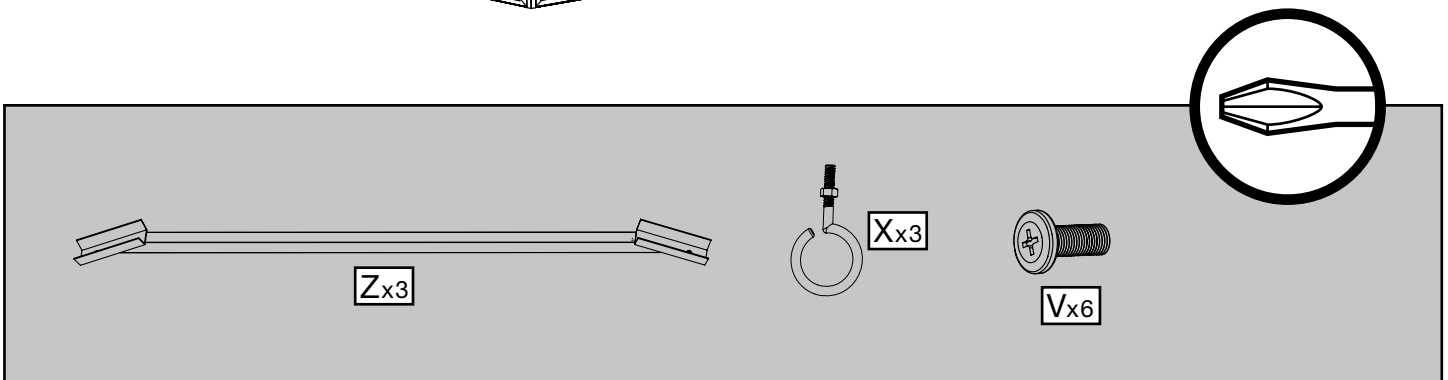
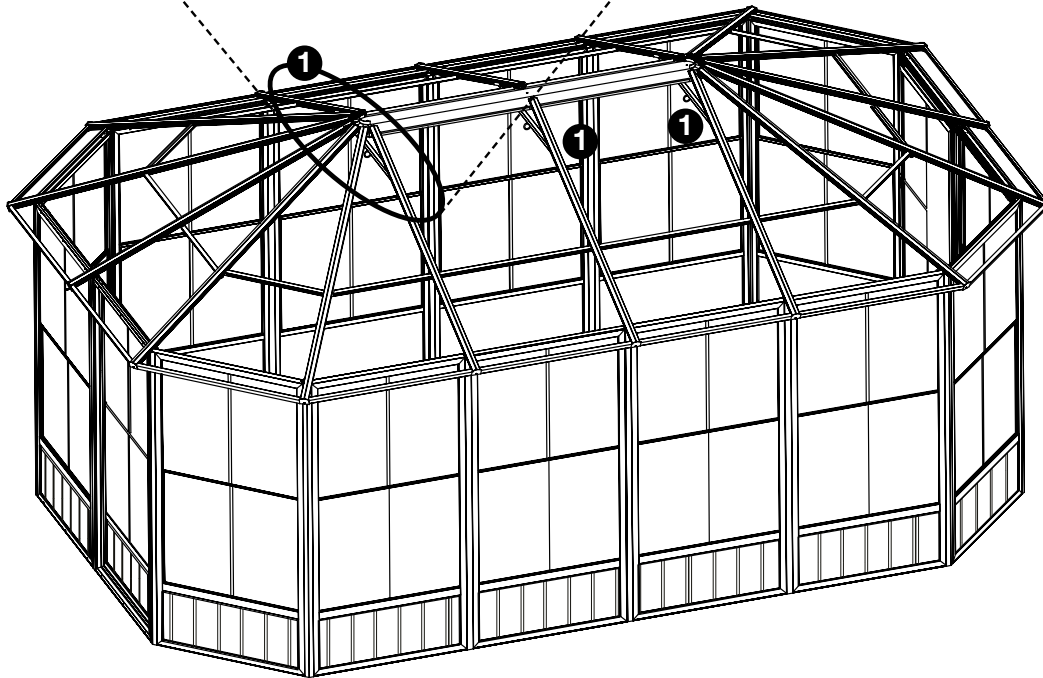
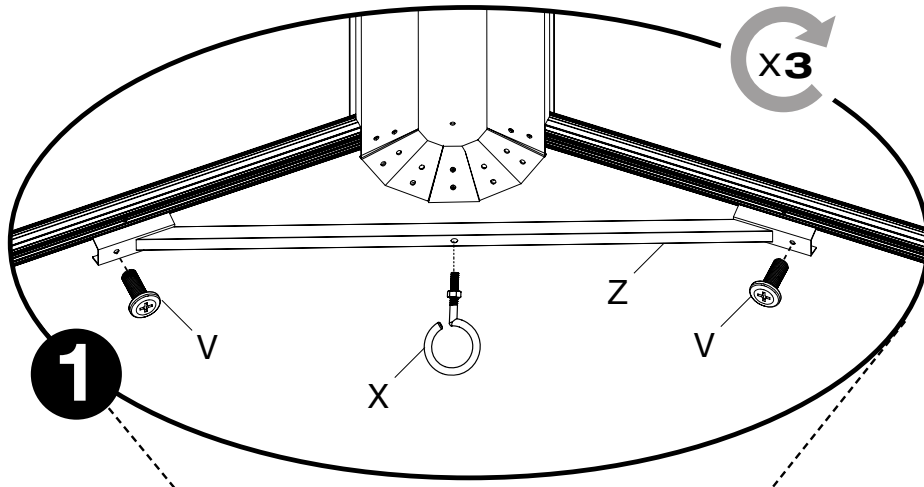




X16







SOJAG ■ I
produits saisonniers • seasonal products