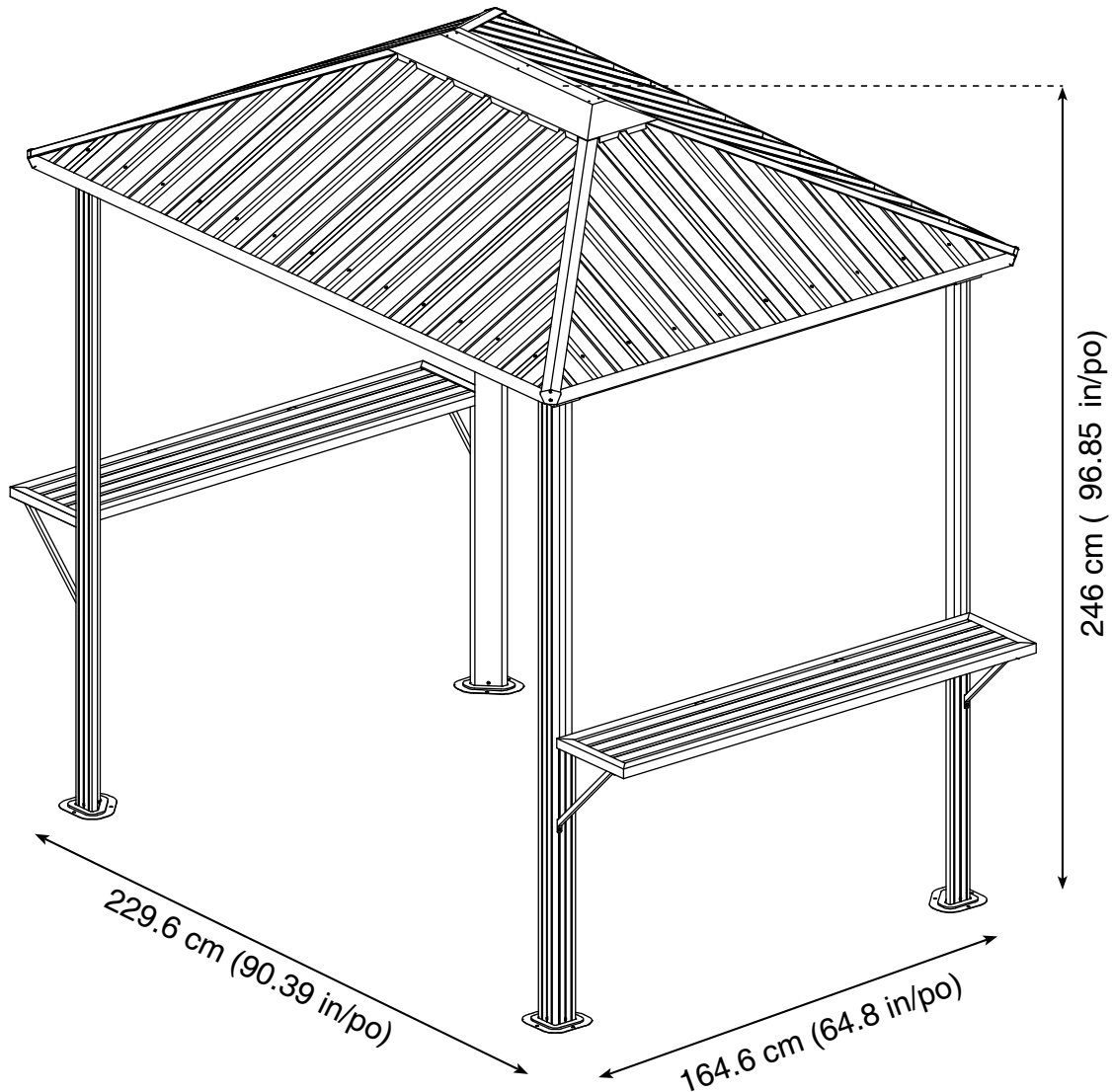


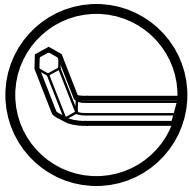
SOJAG

produits saisonniers • seasonal products

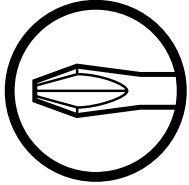
QUESTIONS? 1-866-901-1649

Assembly Manual / Guide d'assemblage / Manual de ensamblaje / 조립설명서 / Montageanleitung





Use the hex keys in the box. / Utilisez les clés hexagonales fournies dans la boîte. / Utilice las llaves hexagonales en la caja. / 상자에 육각 키를 사용 하십시오. / Verwenden Sie die Sechskantschlüssel in der Box.



Please use a Phillips screwdriver. / Utilisez un tournevis de type Phillips / Por favor, use un destornillador Phillips. / 십자 드라이버를 사용 하십시오. / Bitte verwenden Sie einen Kreuzschraubenzieher.



You may need to use a drill for this step. / Vous pouvez avoir besoin d'utiliser une perceuse pour cette étape. / Puede que tenga que utilizar un taladro para este paso. / 이 단계에선 드릴을 사용해야 할 수도 있습니다. / Für diesen Schritt können Sie einen Bohrer verwenden.



Wearing protective gloves is recommended. / Le port de gants de protection est recommandé / El uso de guantes de protección se recomienda. / 보호 장갑을 착용 하는 것이 좋습니다. / Das Tragen von Schutzhandschuhen wird empfohlen.



Two or more people are required at this stage. / Deux personnes ou plus sont nécessaires à cette étape. / Dos o más personas se requieren en esta etapa. / 이 단계에서는 두 명 이상이 필요합니다. / Für diesen Bauschritt sind 2 oder mehr Personen erforderlich.

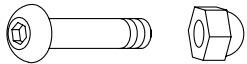


Do not tighten screws all the way for now. / Ne pas visser fermement pour l'instant. / No atornille con firmeza por ahora. / 아직 나사를 단단히 조이지 마십시오. / Bitte die Schrauben zum jetzigen Zeitpunkt noch nicht fest anziehen.

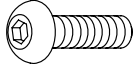


Sold separately. / Vendus séparément. / vendido en las opciones. / 옵션 판매 / Optional erhältlich

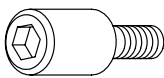
T X 44 (+4)



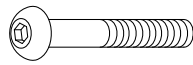
V X 45 (+5)



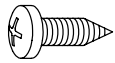
X X 32 (+3)




X2 X 4 (+1)



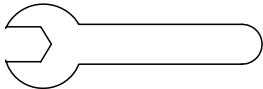
Y X 16(+2)



Wa X 2



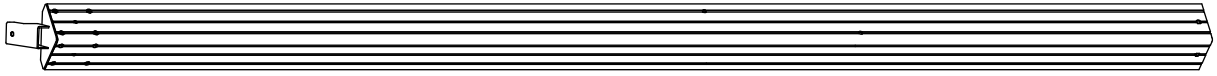
W2 X 1



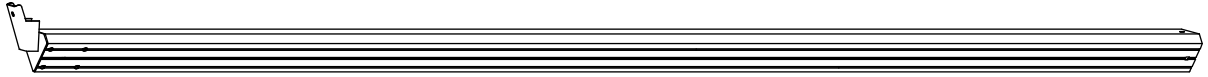
Z X 1



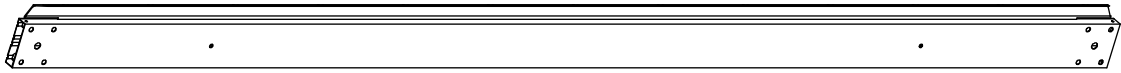
A X2



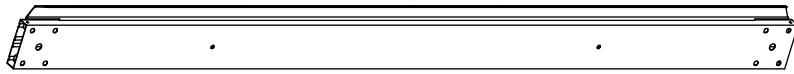
A1 X2



B X2



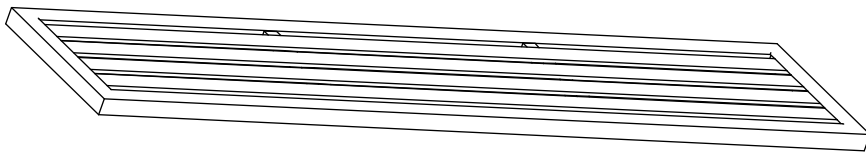
C X2



E X4



G X2



G2 X2



G3 X2



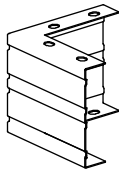
G1 X4



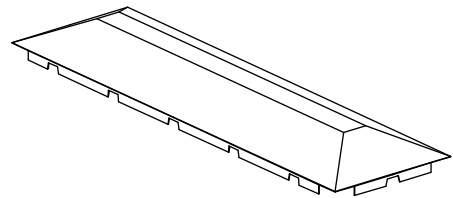
I X4



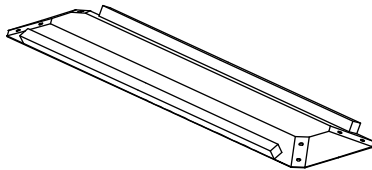
J1 X4



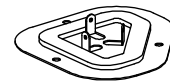
K X1



K1 X1



L X4



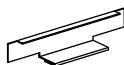
M2 X4



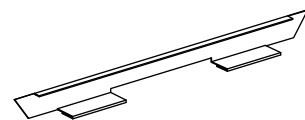
M5 X44 (+3)

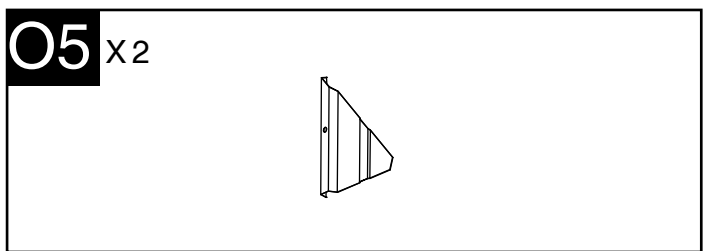
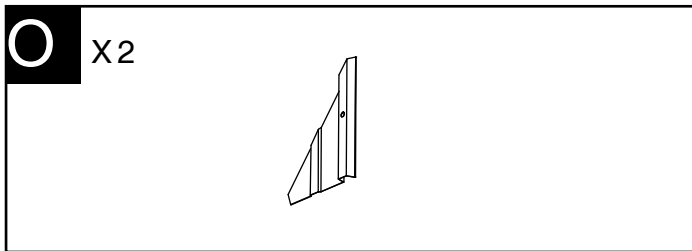
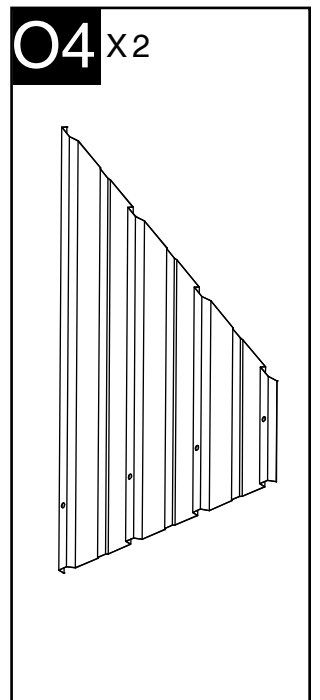
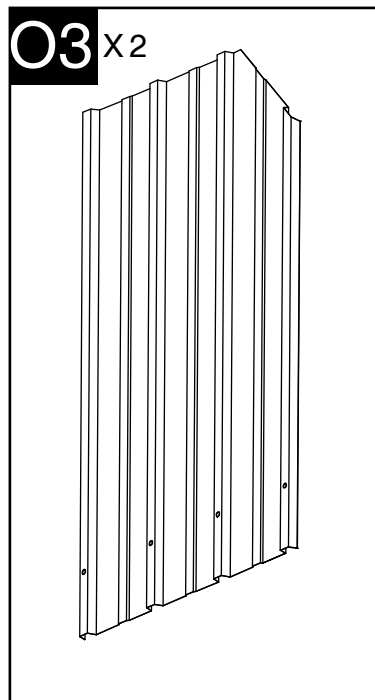
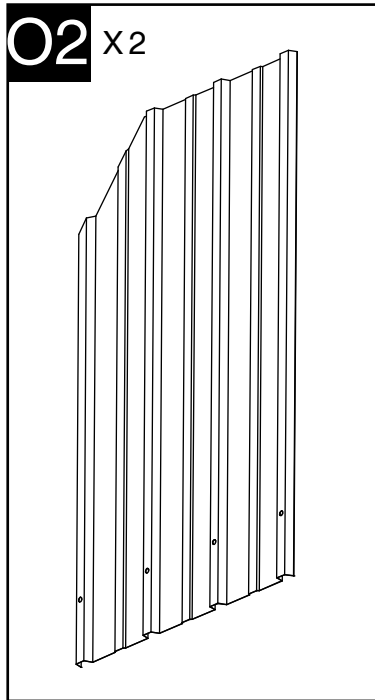
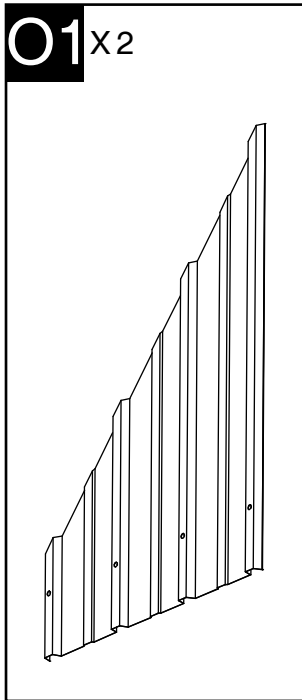
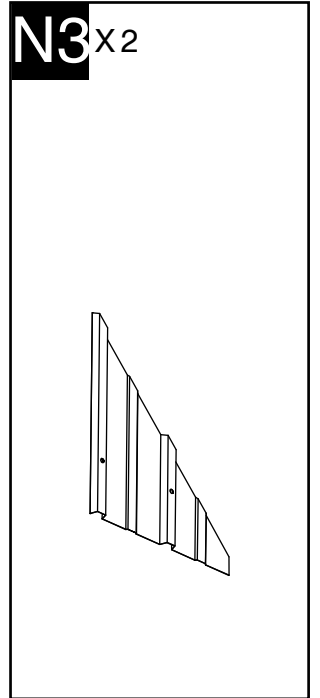
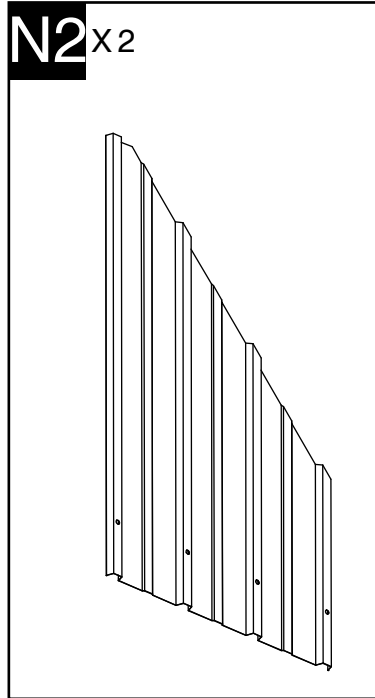
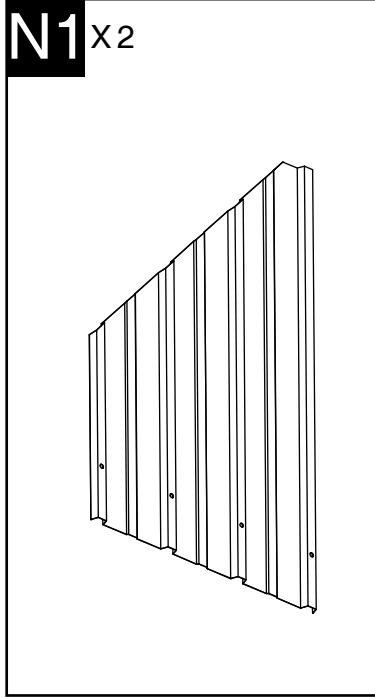
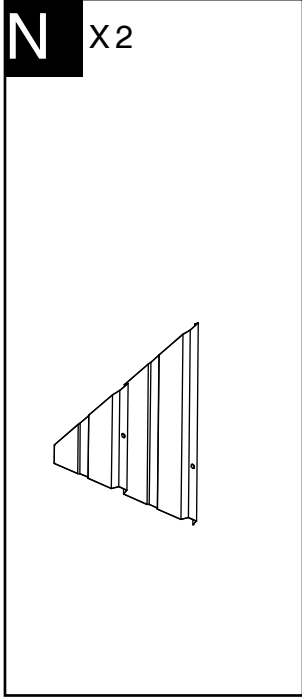


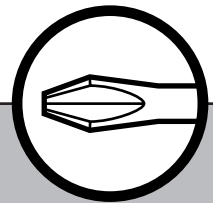
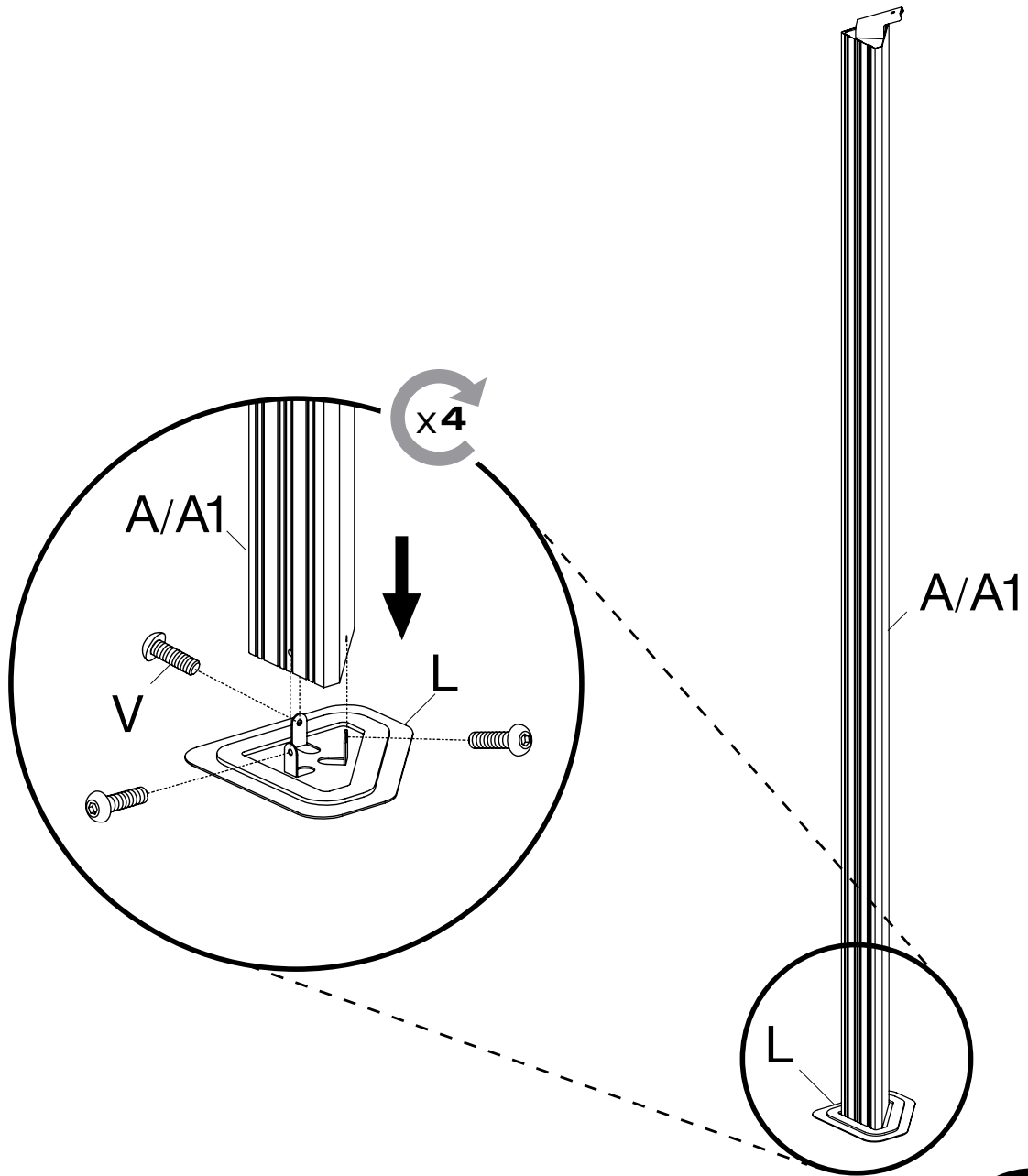
D1 X12 (+1)



R X28 (+2)







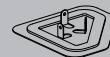
Ax2



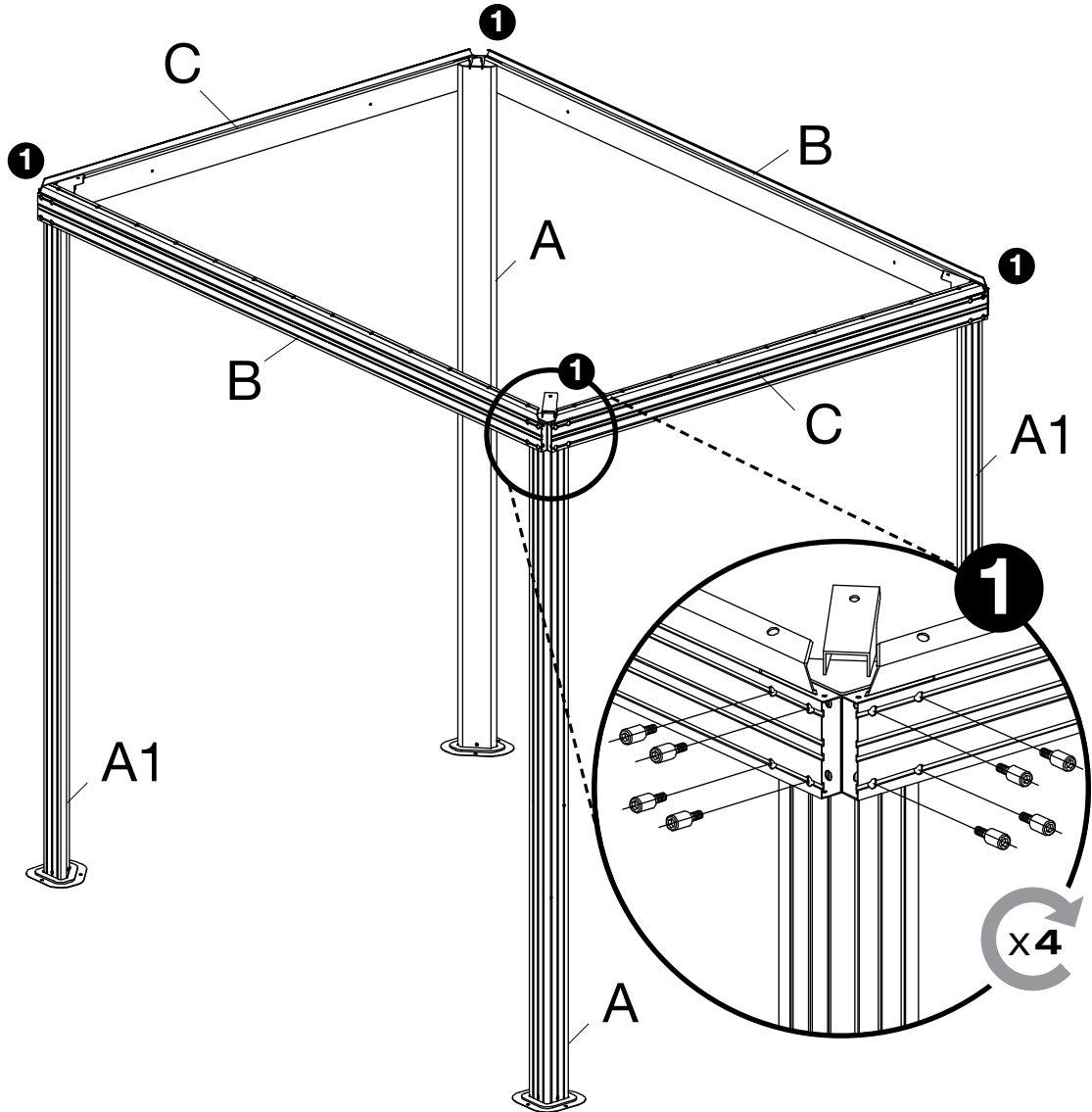
A1x2



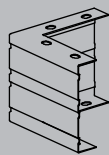
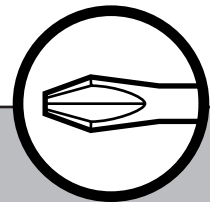
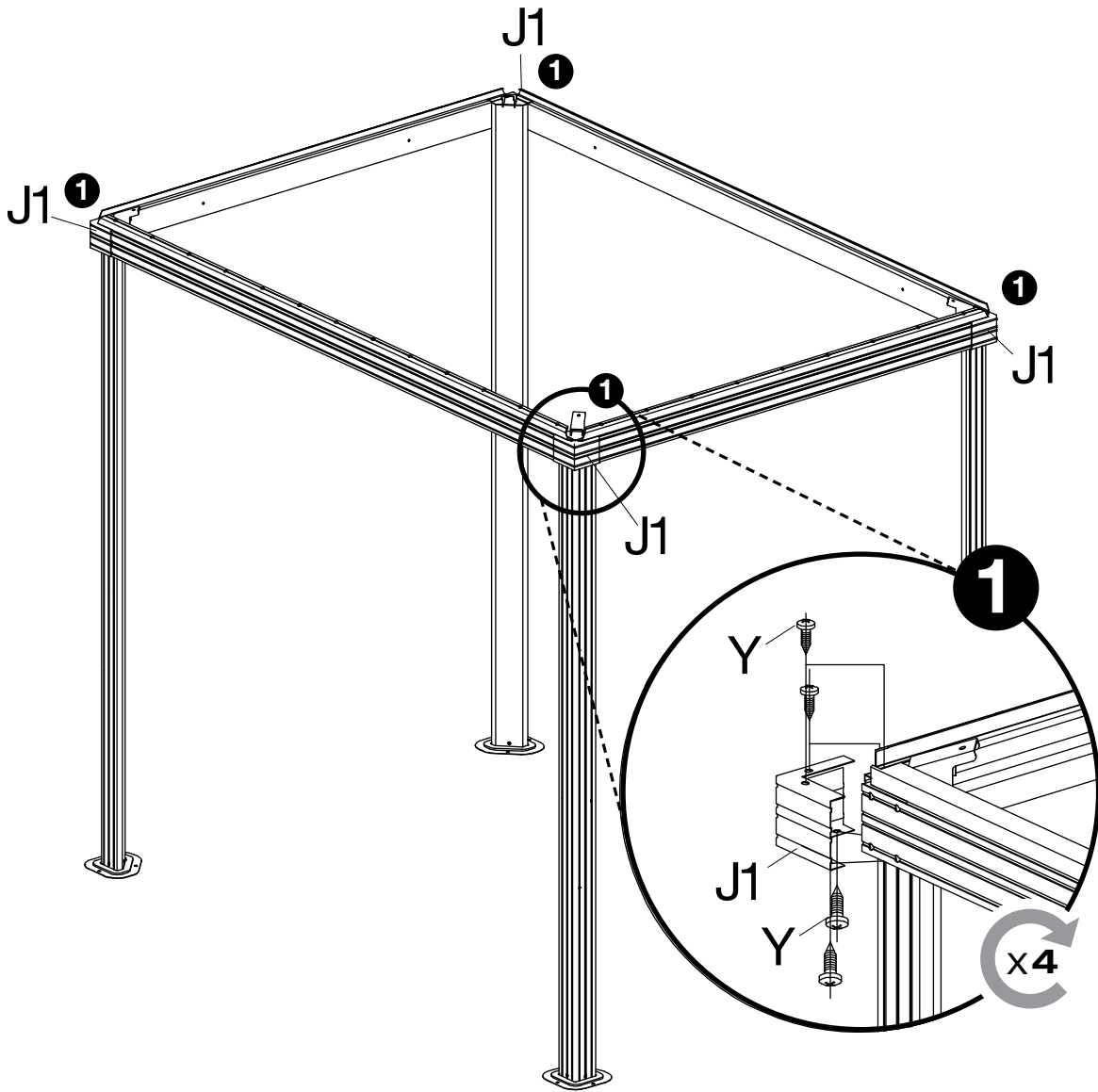
Vx12



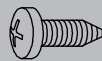
L x4



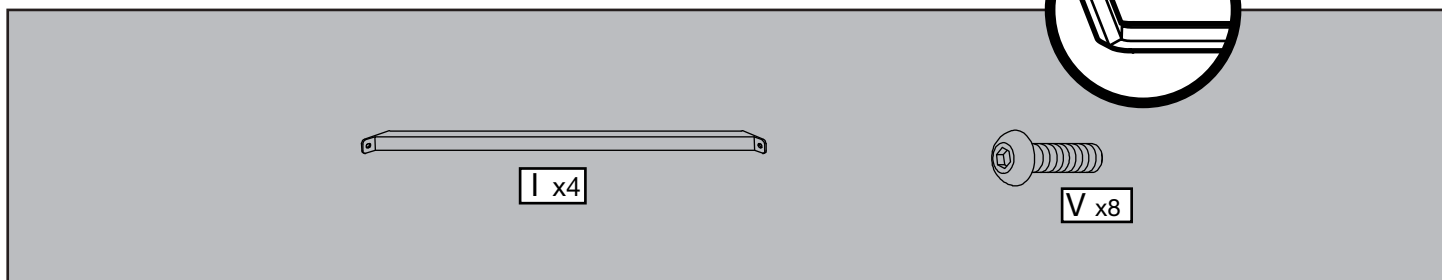
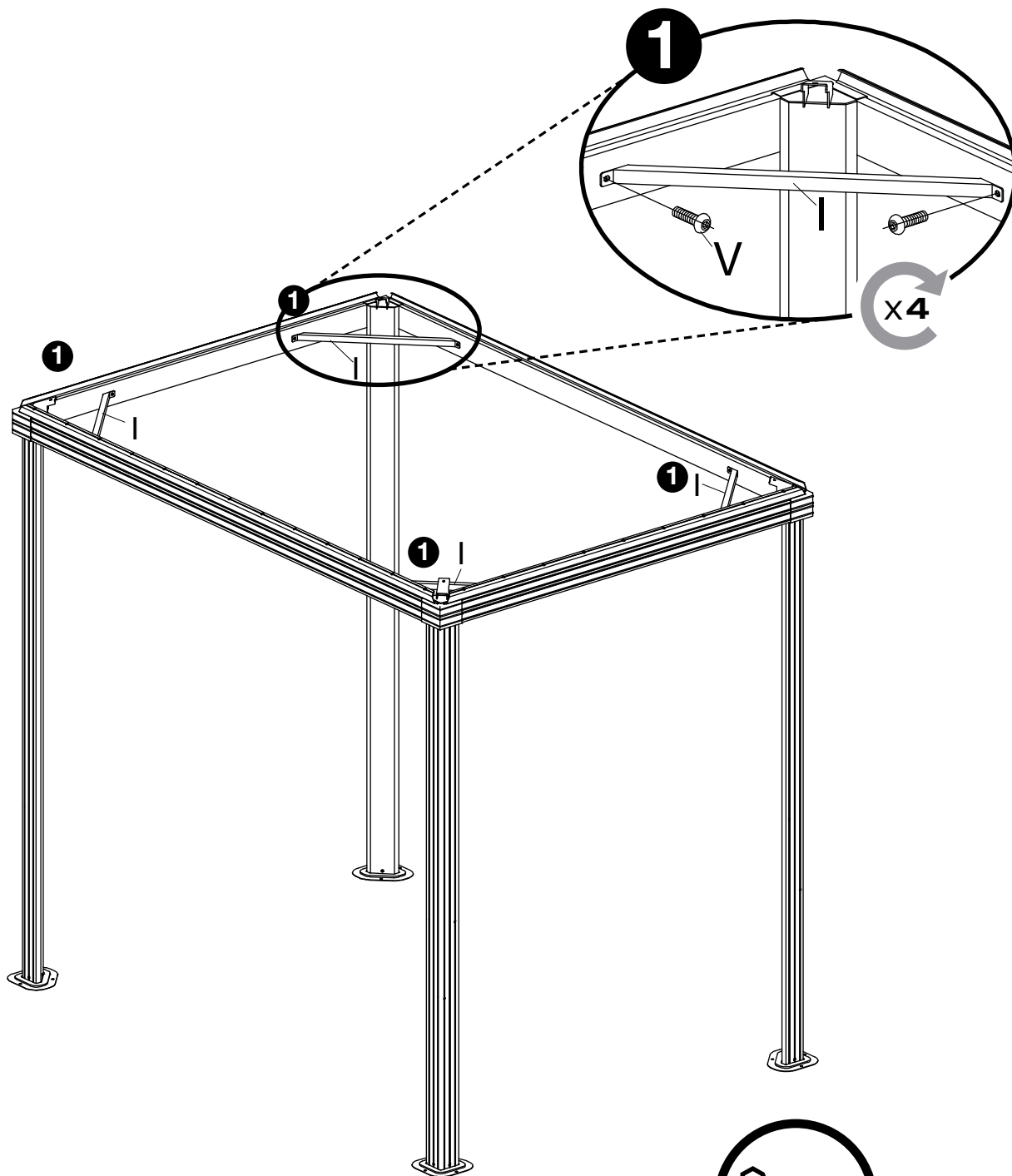
This section contains the parts list and assembly icons. On the left, there are two long rectangular rails: the top one is labeled **B x2** and the bottom one is labeled **C x2**. To the right of these rails is a small cylindrical component labeled **X x32**. On the far right, there are two circular icons: the first shows two stylized human figures with the number **2+** below them, indicating that two or more people are required for assembly; the second shows a corner bracket being used to join two pieces of the frame.

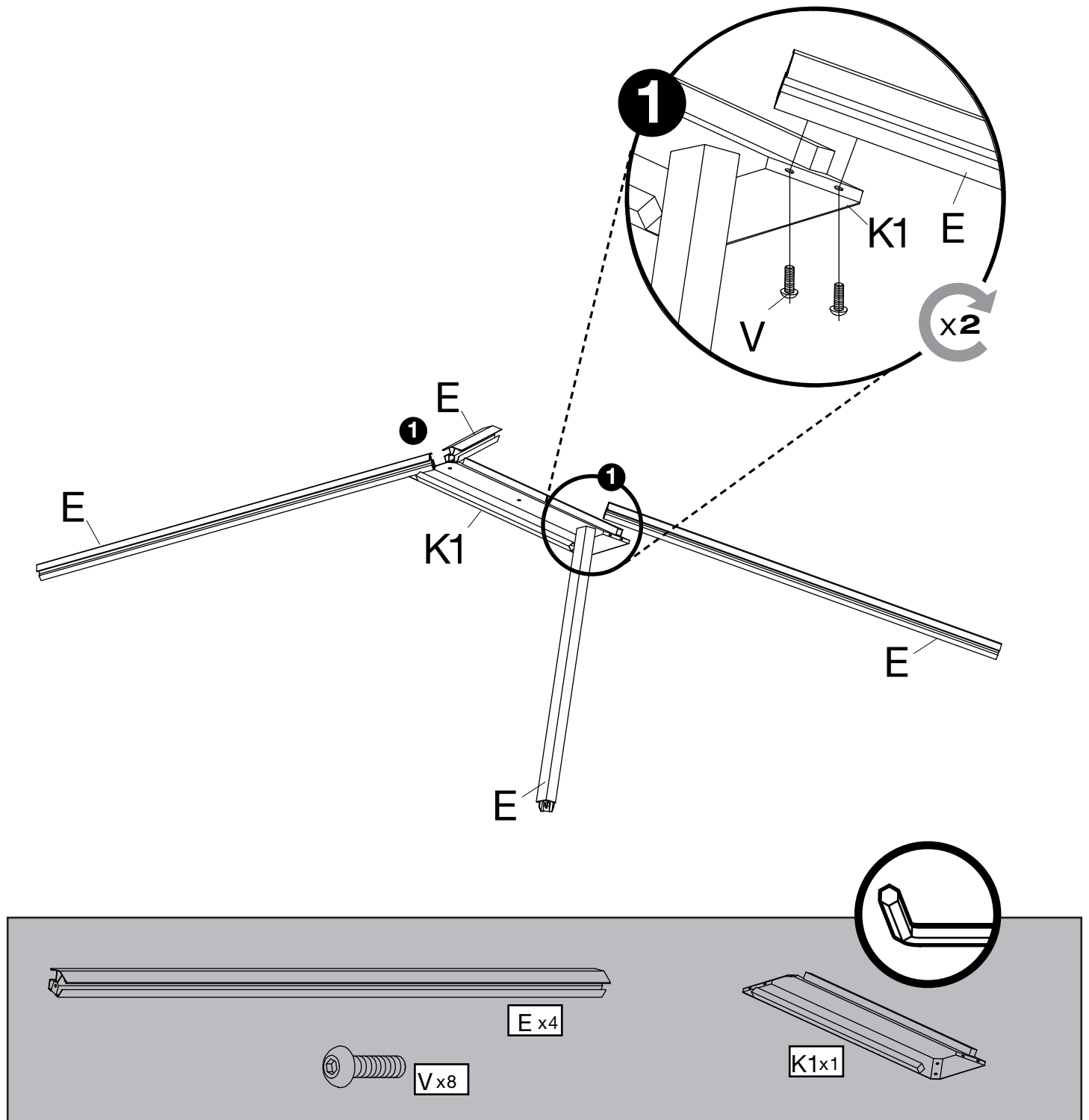


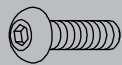
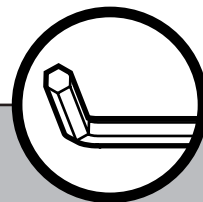
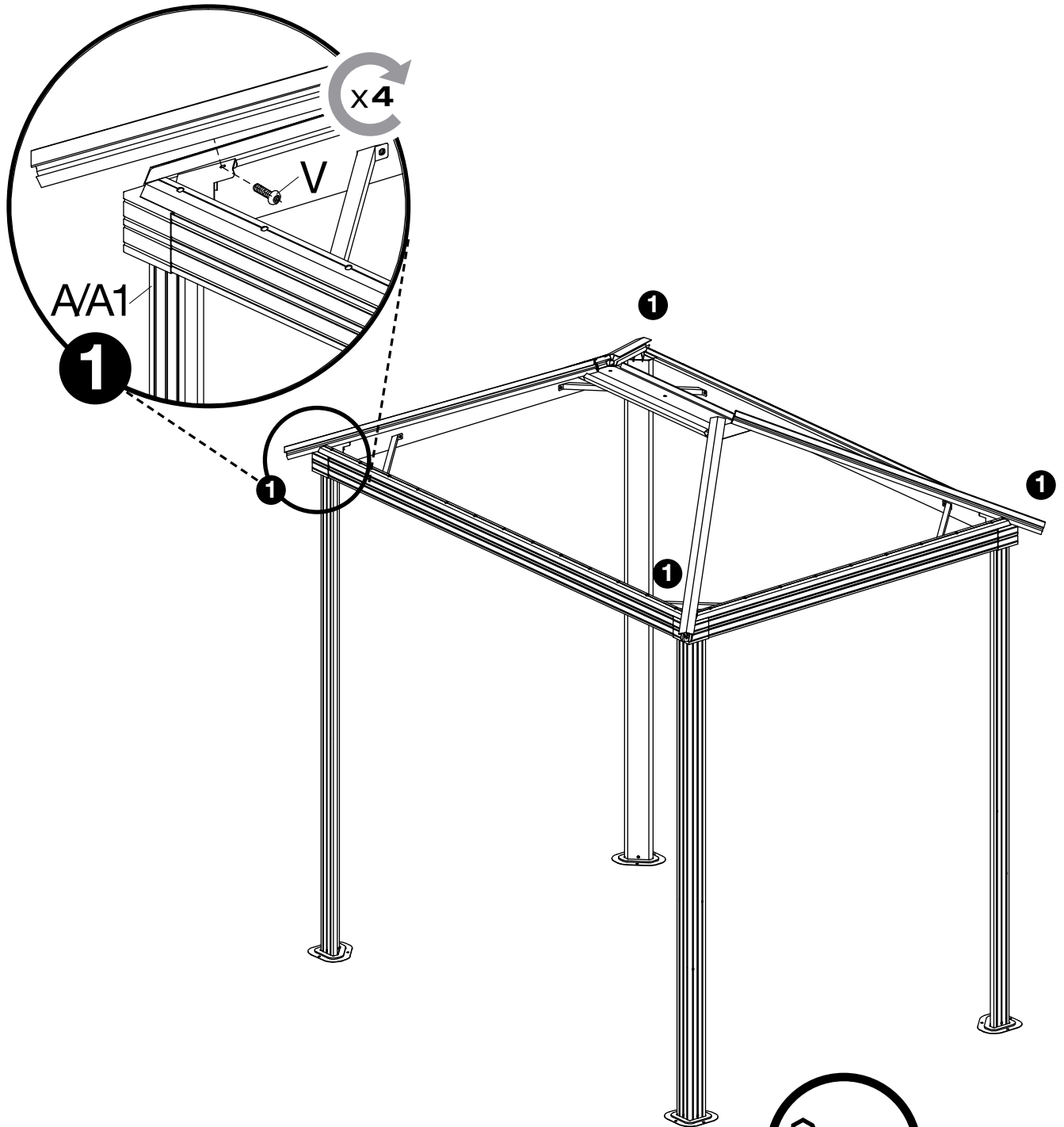
J1 x4



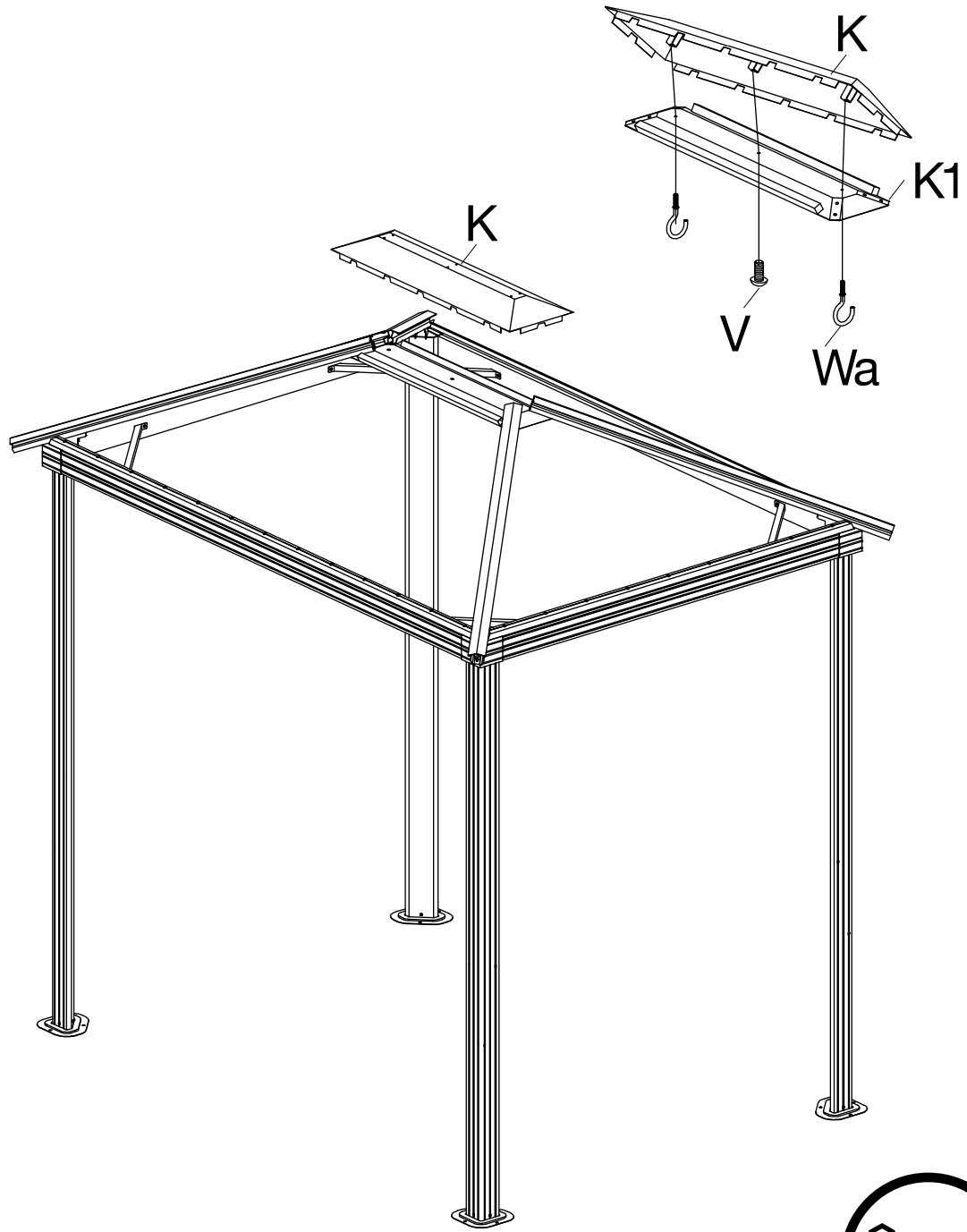
Y x16





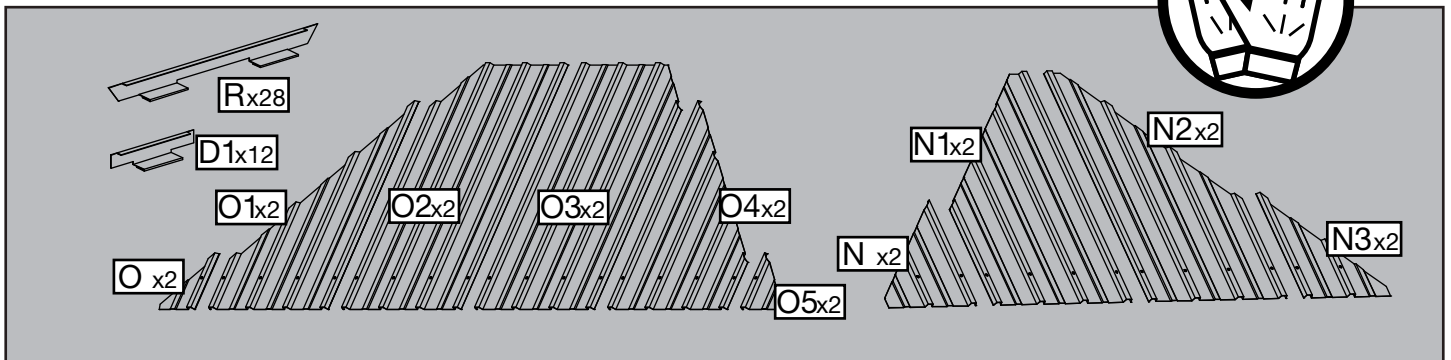
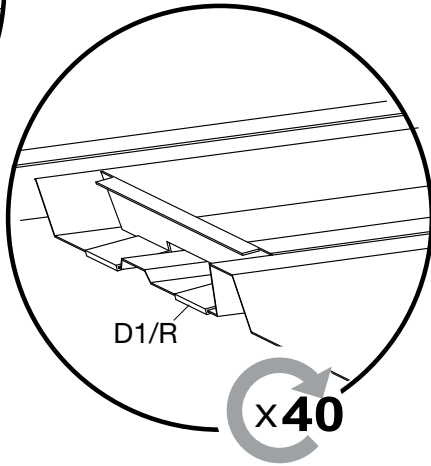
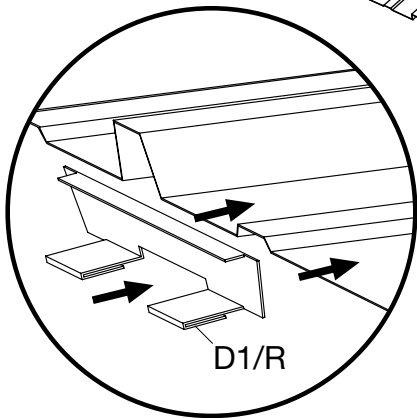
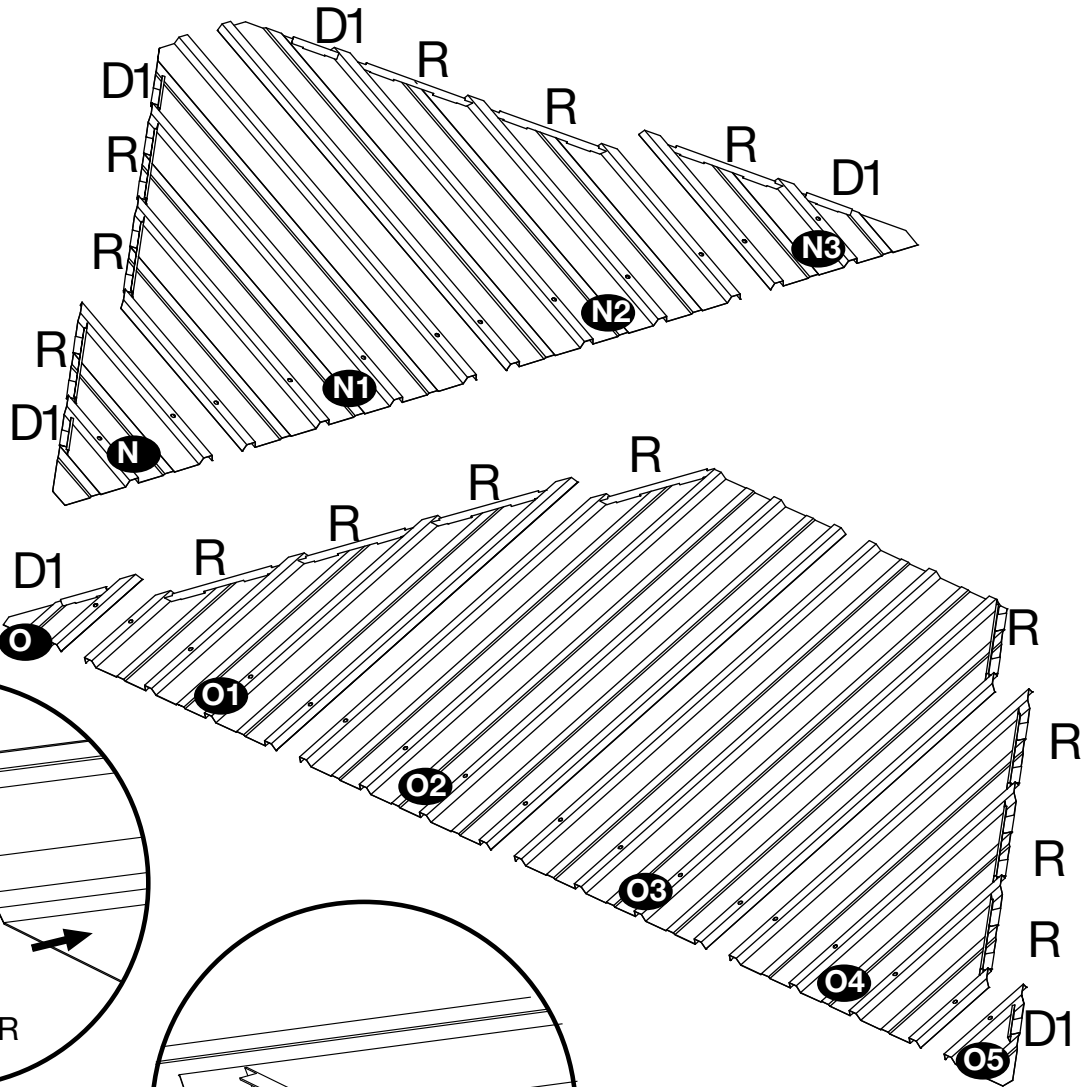


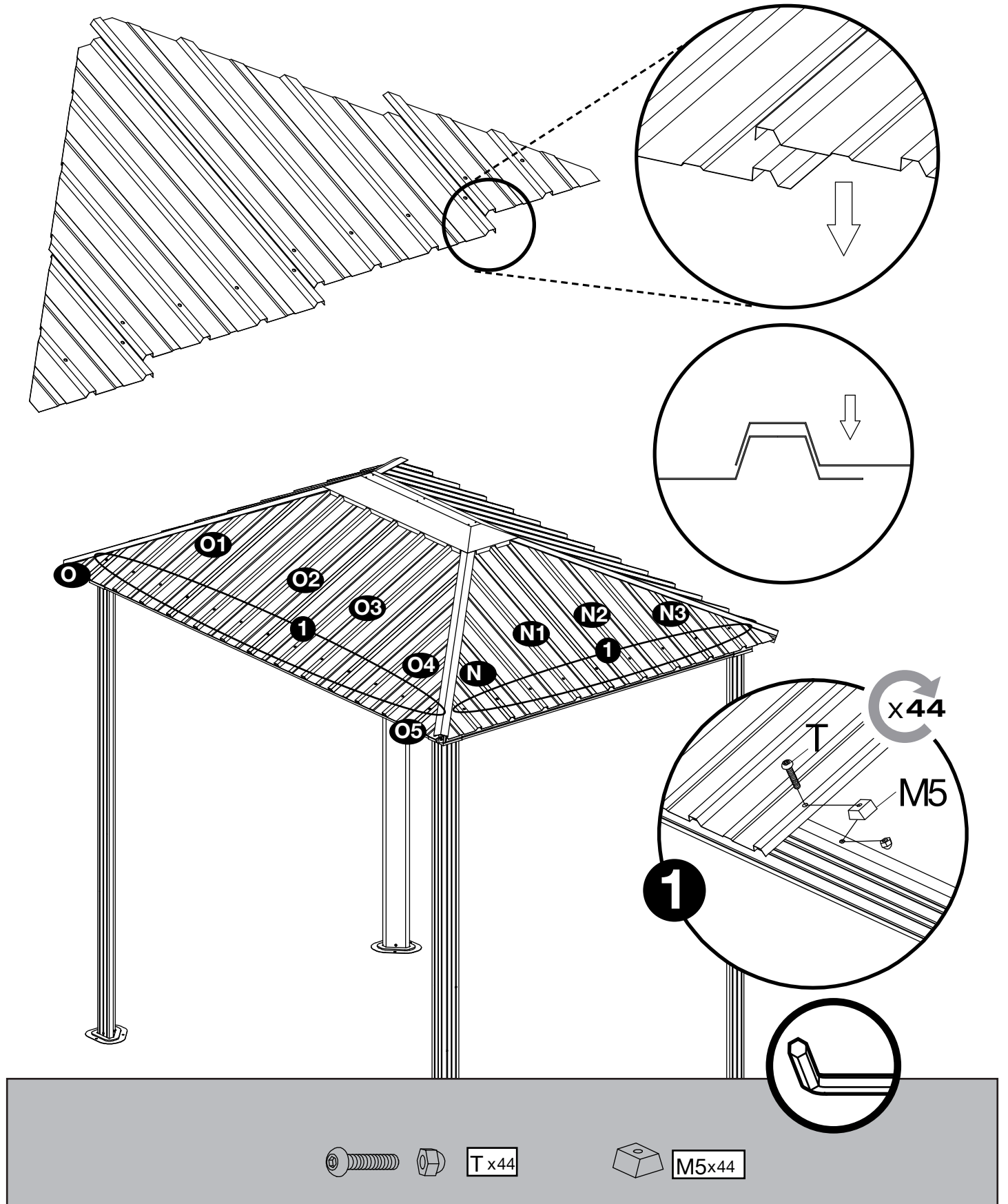
V x4

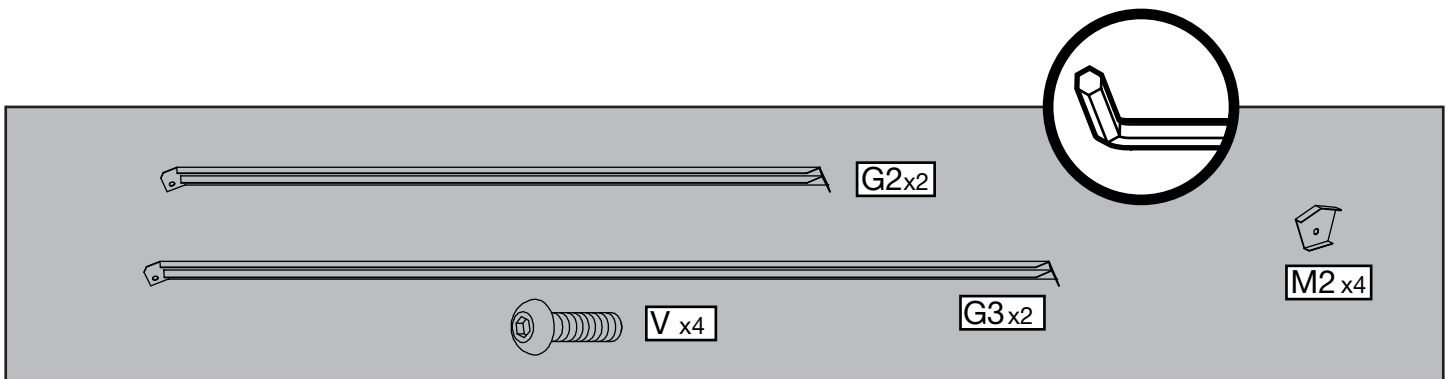
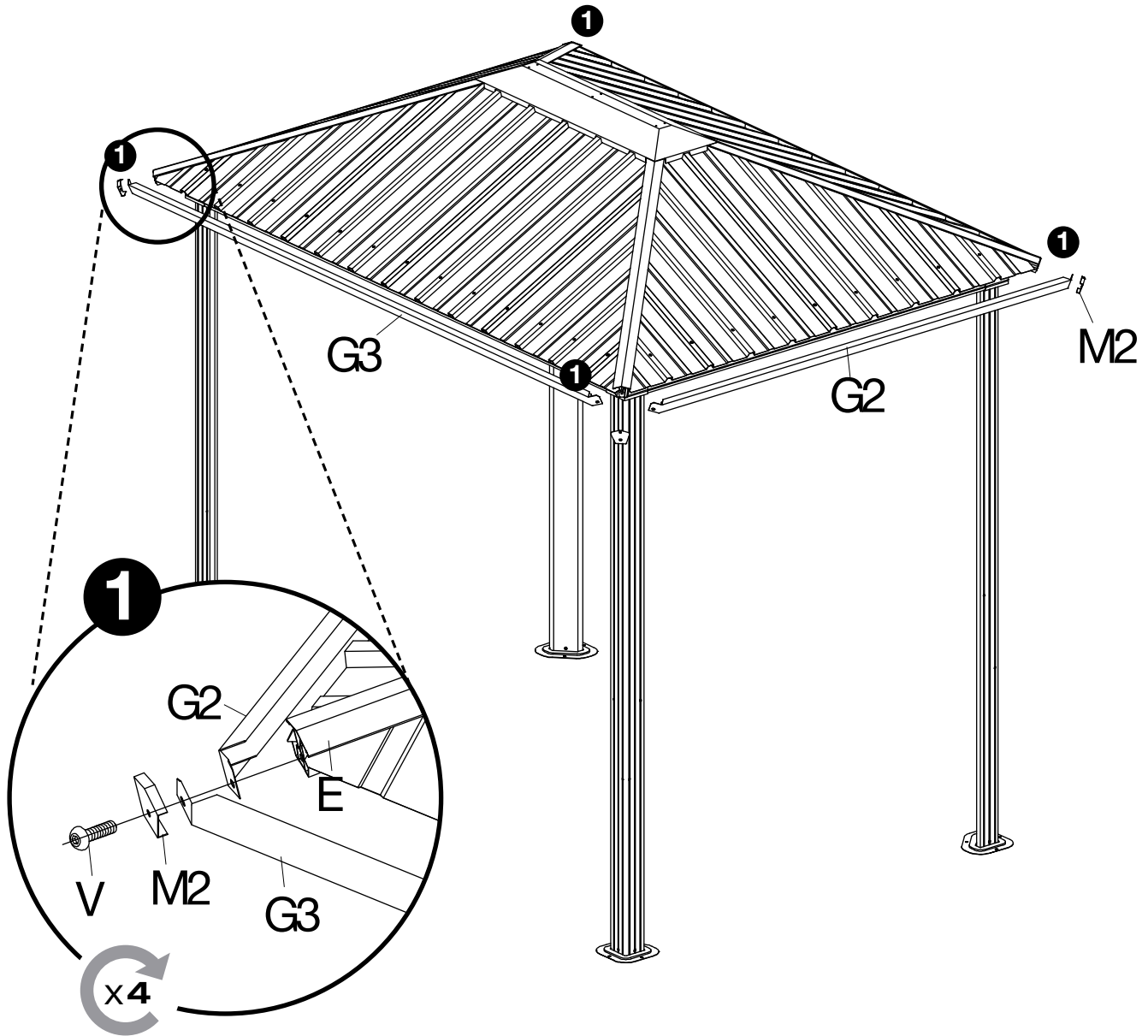


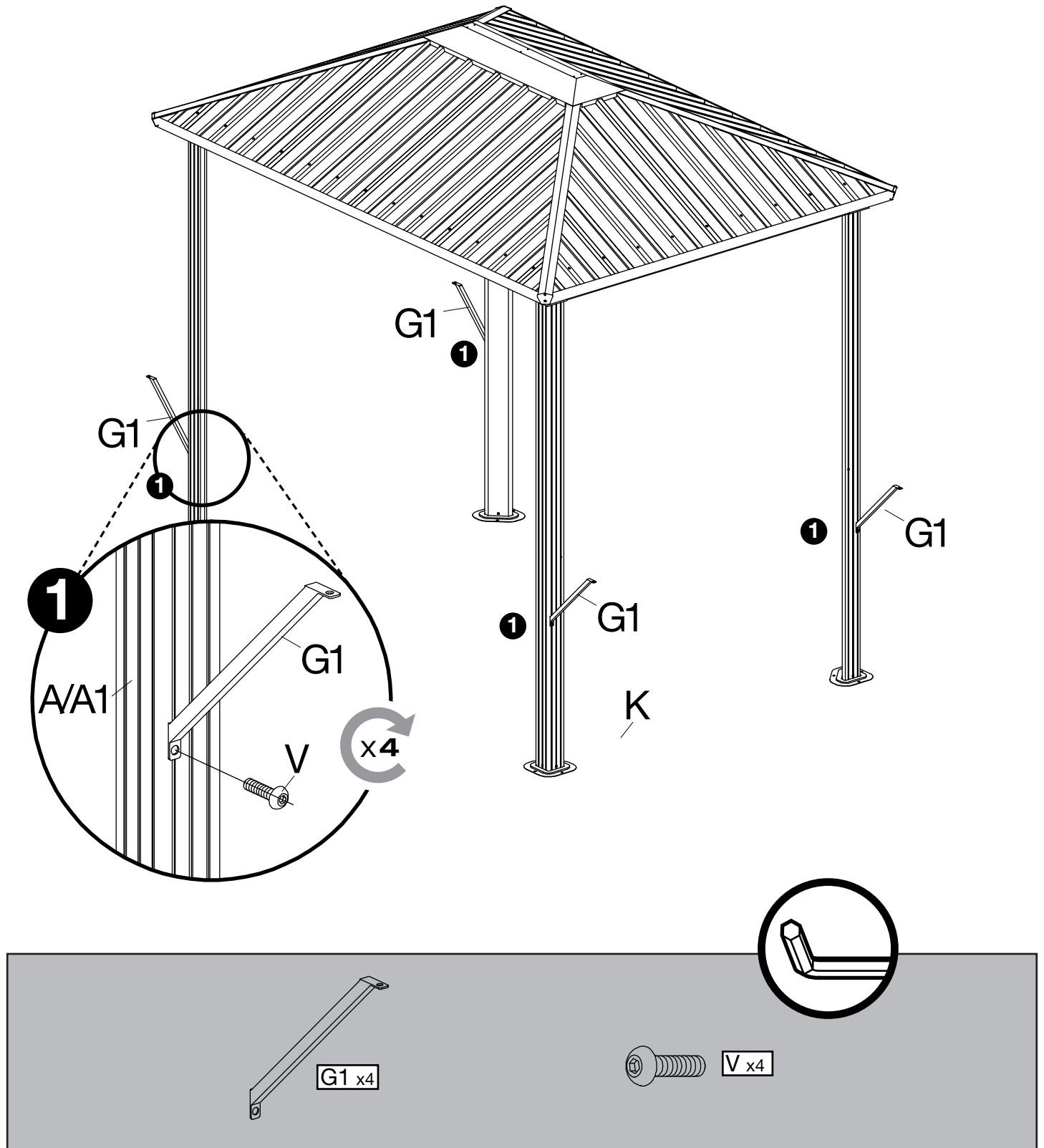
This section contains the parts list for the assembly. It includes a canopy panel labeled K x1, a bolt labeled V x1, and two hooks labeled Wa x2. A circular inset shows a detail of the hook attachment to the frame.

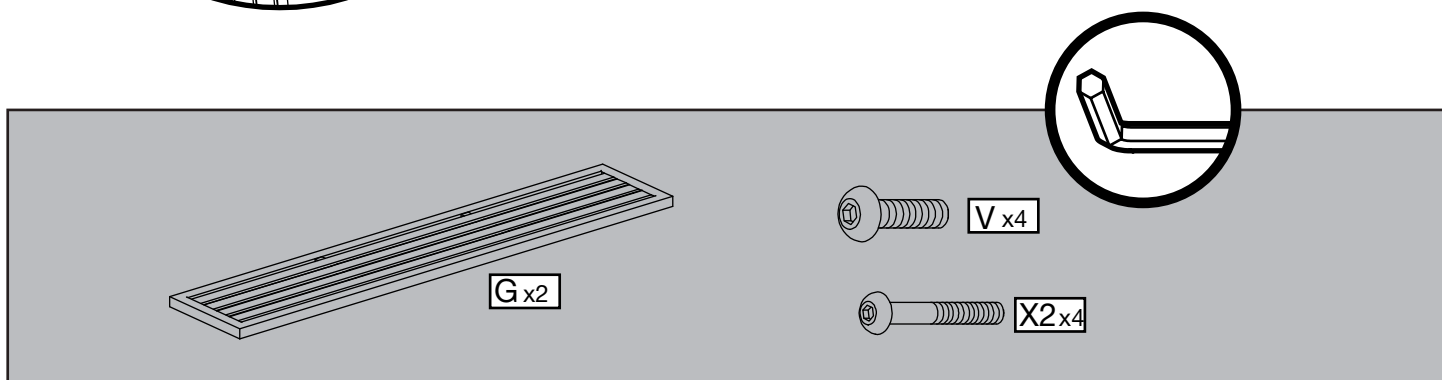
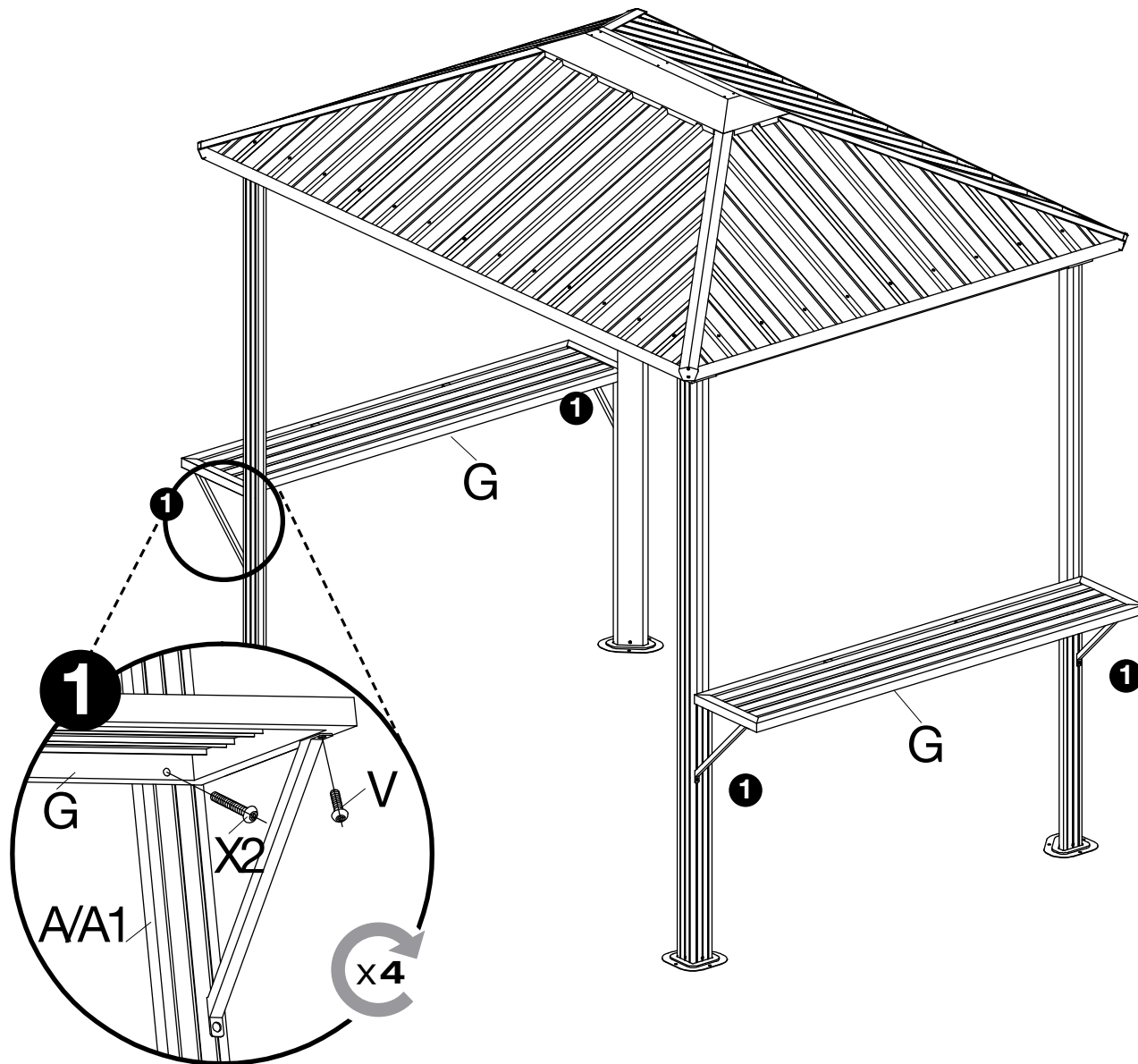
- K x1
- V x1
- Wa x2











SOJAG ■ I
produits saisonniers • seasonal products