

PRO-FORM®

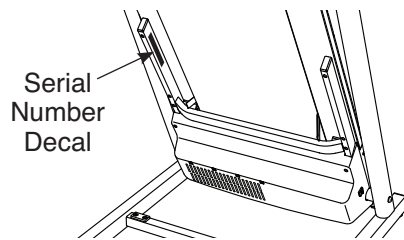
CADENCE WLT

proform.com

Model No. PFTL29619.2

Serial No. _____

Write the serial number in the space above for reference.



REGISTER YOUR PRODUCT

To register your product and activate your warranty today, go to my.proform.com.

CUSTOMER CARE

For service at any time, go to support.proform.com.

Or call 1-888-533-1333
Mon.–Fri. 6 a.m.–6 p.m. MT
Sat. 8 a.m.–12 p.m. MT

Please do not contact the store.

⚠ CAUTION

Read all precautions and instructions in this manual before using this equipment. Save this manual for future reference.

USER'S MANUAL

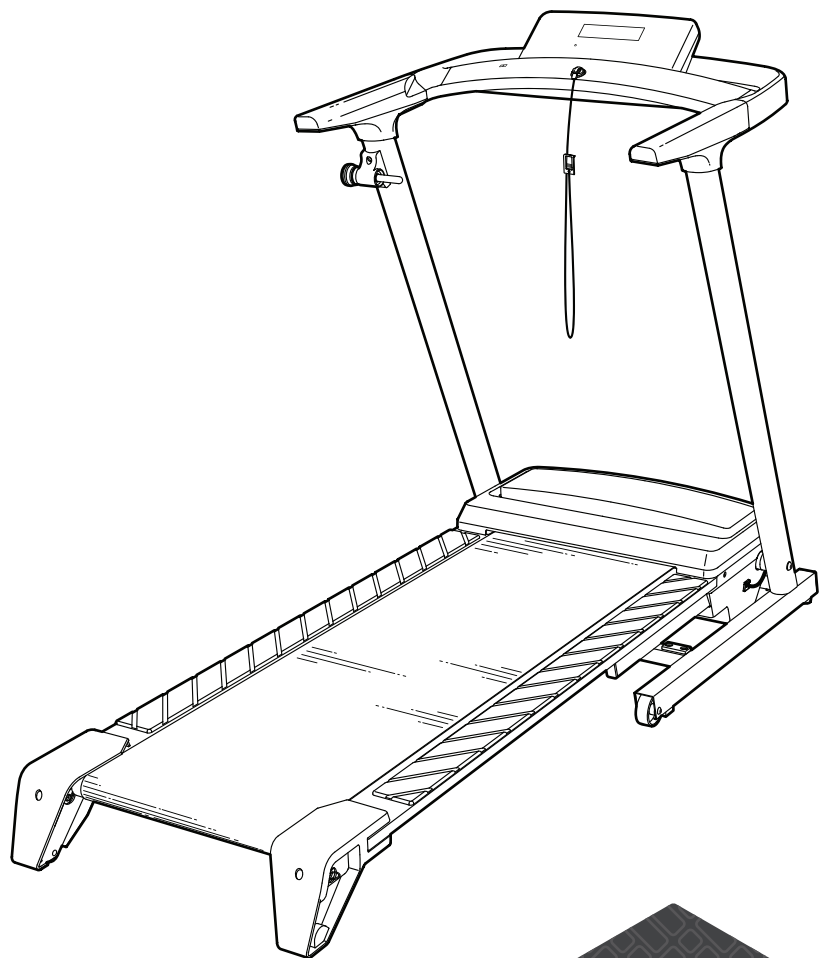


TABLE OF CONTENTS

WARNING DECAL PLACEMENT 2

IMPORTANT PRECAUTIONS 3

BEFORE YOU BEGIN 6

PART IDENTIFICATION CHART 7

ASSEMBLY 8

HOW TO USE THE TREADMILL 16

FCC INFORMATION 23

HOW TO FOLD AND MOVE THE TREADMILL 24

MAINTENANCE AND TROUBLESHOOTING 25

EXERCISE GUIDELINES 28

PART LIST 31

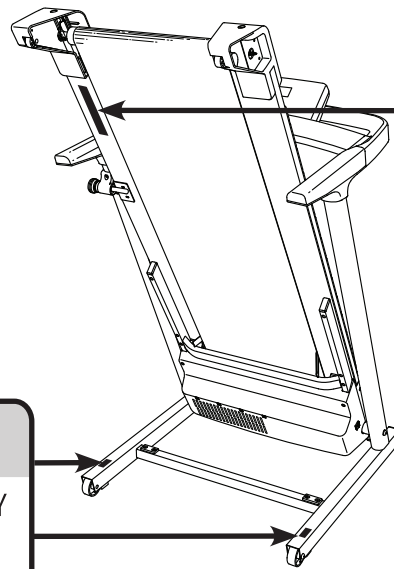
EXPLODED DRAWING 32

ORDERING REPLACEMENT PARTS Back Cover


LIMITED WARRANTY Back Cover

WARNING DECAL PLACEMENT

This drawing shows the location(s) of the warning decal(s). **If a decal is missing or illegible, see the front cover of this manual and request a free replacement decal. Apply the decal in the location shown.** Note: The decal(s) may not be shown at actual size.



▲ WARNING:
Protect yourself and others from risk of serious injury. Read the user's manual, and:

-  Stand only on the side rails when starting or stopping treadmill.
- Change speed in small increments.
- Hold handrails to prevent falling, and always wear the safety clip while operating the treadmill.
- Stop if you feel faint, dizzy, or short of breath.
- Fully engage the storage latch before the treadmill is moved or stored.
- Incline should be set to zero before folding the treadmill into a storage position.
- Never allow children on or around the treadmill.
- Remove the safety key when treadmill is not in use.
- Keep clothing, fingers, and hair away from moving parts.
- Never try to adjust or fix the belt while it is moving.
- Always wear athletic shoes while operating the treadmill.

PROFORM and iFit are registered trademarks of ICON Health & Fitness, Inc. App store is a trademark of Apple Inc., registered in the U.S. and other countries. Android and Google Play are trademarks of Google LLC. The Bluetooth® word mark and logos are registered trademarks of Bluetooth SIG, Inc. and are used under license. IOS is a trademark or registered trademark of Cisco in the U.S. and other countries and is used under license.

IMPORTANT PRECAUTIONS

⚠ WARNING: To reduce the risk of burns, fire, electric shock, or injury to persons, read all important precautions and instructions in this manual and all warnings on your treadmill before using your treadmill. ICON assumes no responsibility for personal injury or property damage sustained by or through the use of this product.

1. It is the responsibility of the owner to ensure that all users of this treadmill are adequately informed of all warnings and precautions.
2. Before beginning any exercise program, consult your physician. This is especially important for persons over age 35 or persons with pre-existing health problems.
3. The treadmill is not intended for use by persons with reduced physical, sensory, or mental capabilities or lack of experience and knowledge, unless they have been given supervision or instruction concerning use of the treadmill by someone responsible for their safety.
4. Use the treadmill only as described.
5. The treadmill is intended for home use only. Do not use the treadmill in any commercial, rental, or institutional setting.
6. Keep the treadmill indoors, away from moisture and dust. Do not put the treadmill in a garage or covered patio, or near water.
7. Place the treadmill on a level surface, with at least 8 ft. (2.4 m) of clearance behind it and 2 ft. (0.6 m) on each side. Do not place the treadmill on any surface that blocks air openings. To protect the floor or carpet from damage, place a mat under the treadmill.
8. Do not operate the treadmill where aerosol products are used or where oxygen is being administered.
9. Keep children under age 16 and pets away from the treadmill at all times.
10. The treadmill should be used only by persons weighing 275 lbs. (125 kg) or less.
11. Never allow more than one person on the treadmill at a time.
12. Wear appropriate exercise clothes while using the treadmill. Do not wear loose clothes that could become caught in the treadmill. Athletic support clothes are recommended for both men and women. *Always wear athletic shoes. Never use the treadmill with bare feet, wearing only stockings, or in sandals.*
13. Plug the power cord into a surge suppressor (not included), and plug the surge suppressor into an appropriate outlet (see page 16). To avoid overloading the circuit, do not plug other electrical devices, except for low-power devices such as cell phone chargers, into the surge suppressor or into an outlet on the same circuit.
14. Use only a surge suppressor that meets all of the specifications described on page 16. To purchase a surge suppressor, see your local PROFORM dealer, call the telephone number on the front cover of this manual, or see your local electronics store.
15. Failure to use a properly functioning surge suppressor could result in damage to the control system of the treadmill. If the control system is damaged, the walking belt may slow, accelerate, or stop unexpectedly, which may result in a fall and serious injury.
16. Keep the power cord and the surge suppressor away from heated surfaces.
17. Never move the walking belt while the power is turned off. Do not operate the treadmill if the power cord or plug is damaged, or if the treadmill is not working properly. (See MAINTENANCE AND TROUBLESHOOTING on page 25 if the treadmill is not working properly.)
18. Read, understand, and test the emergency stop procedure before using the treadmill (see HOW TO TURN ON THE POWER on page 18). Always wear the clip while using the treadmill.

19. Always stand on the foot rails when starting or stopping the walking belt. Always hold the handrails while using the treadmill.
20. When a person is walking on the treadmill, the noise level of the treadmill will increase.
21. Keep fingers, hair, and clothing away from the moving walking belt.
22. The treadmill is capable of high speeds. Adjust the speed in small increments to avoid sudden jumps in speed.
23. The heart rate monitor is not a medical device. Various factors, including the user's movement, may affect the accuracy of heart rate readings. The heart rate monitor is intended only as an exercise aid in determining heart rate trends in general.
24. Never leave the treadmill unattended while it is running. Always remove the key, press the power switch into the off position (see the drawing on page 6 for the location of the power switch), and unplug the power cord when the treadmill is not in use.
25. Do not attempt to move the treadmill until it is properly assembled. (See ASSEMBLY on page 8 and HOW TO FOLD AND MOVE THE TREADMILL on page 24.) You must be able to safely lift 45 lbs. (20 kg) to move the treadmill.
26. When folding or moving the treadmill, make sure that the storage latch is holding the frame securely in the storage position. Do not operate the treadmill while it is folded.
27. Do not change the incline of the treadmill by placing objects under the treadmill.
28. Never insert any object into any opening on the treadmill.
29. Inspect and properly tighten all parts each time the treadmill is used.
30. **DANGER:** Always unplug the power cord immediately after use, before cleaning the treadmill, and before performing the maintenance and adjustment procedures described in this manual. Never remove the motor hood unless instructed to do so by an authorized service representative. Servicing other than the procedures in this manual should be performed by an authorized service representative only.
31. Over exercising may result in serious injury or death. If you feel faint, if you become short of breath, or if you experience pain while exercising, stop immediately and cool down.

SAVE THESE INSTRUCTIONS

PROTECT

YOUR FITNESS EQUIPMENT
WITH AN EXTENDED SERVICE PLAN



Your new fitness equipment is not an ordinary purchase; it is an investment in your health and well being for years to come.

As the leading provider of manufacturer's extended service plans, ICON strives to protect your equipment and your future.

Please review the following service plans and find one that best fits your needs.

PREVENTIVE MAINTENANCE SERVICE PLANS

Equipment Price	3-Year Plan	5-Year Plan
\$0.00 to \$1000.00	\$199.99	\$289.99
\$1001.00 to \$1500.00	\$259.99	\$379.99
\$1501.00 to \$2500.00	\$339.99	\$489.99
(Bikes/Systems Only) \$0.00 to \$2500.00	\$139.99	NA

Features:

- Includes an annual preventive maintenance and performance check at your convenience
- Unlimited in-home repairs; no shipping required
- Covers parts and labor on all manufacturer's defects, as well as wear and tear on parts
- Up to 5 years of coverage available

STANDARD SERVICE PLANS

Equipment Price	1-Year Plan	2-Year Plan	3-Year Plan
\$0.00 to \$300.00	\$29.99	\$39.99	\$59.99
\$301.00 to \$1000.00	\$89.99	\$119.99	\$149.99
\$1001.00 to \$2000.00	\$109.99	\$139.99	\$179.99
\$2001.00 to \$3000.00	\$179.99	\$209.99	\$239.99

Features:

- Unlimited in-home repairs; no shipping required
- Covers parts and labor on all manufacturer's defects, as well as wear and tear on parts
- Up to 3 years of coverage available

To protect your fitness equipment today, please
call Customer Care at **1-800-677-3838.**
Or, visit us online at **www.utserv.com.**



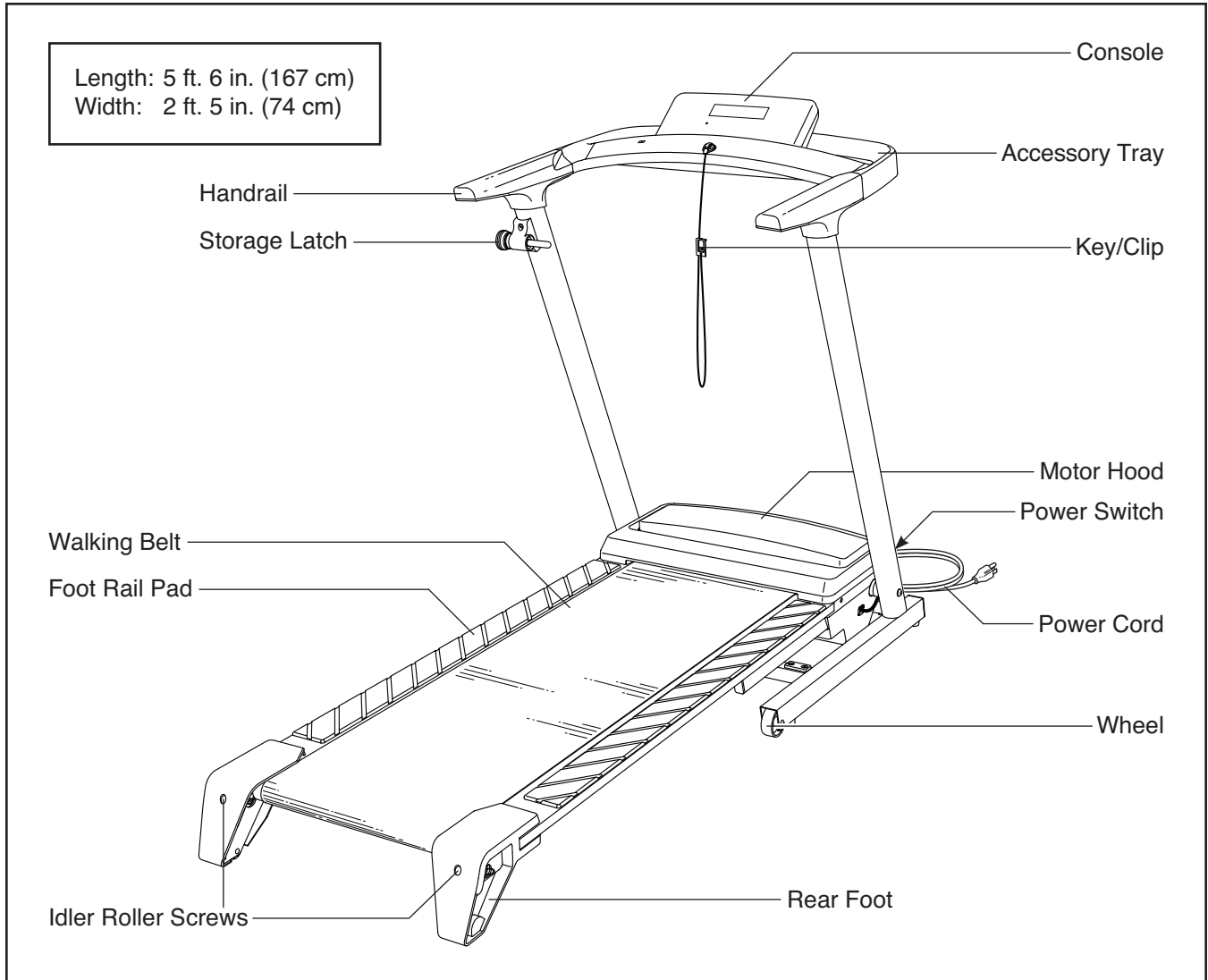
BEFORE YOU BEGIN

Thank you for selecting the new PROFORM® CADENCE WLT treadmill. The CADENCE WLT treadmill offers a selection of features designed to make your workouts at home more effective. And when you're not exercising, the treadmill can be folded up, requiring less than half the floor space of other treadmills.

For your benefit, read this manual carefully before

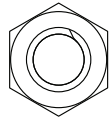
using the treadmill. If you have questions after reading this manual, please see the front cover of this manual. To help us assist you, note the product model number and serial number before contacting us. The model number and the location of the serial number decal are shown on the front cover of this manual.

Before reading further, please review the drawing below and familiarize yourself with the labeled parts.

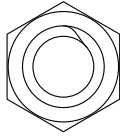


PART IDENTIFICATION CHART

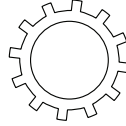
Use the drawings below to identify small parts used for assembly. The number in parentheses below each drawing is the key number of the part, from the PART LIST near the end of this manual. The number following the key number is the quantity used for assembly. **Note: If a part is not in the hardware kit, check to see whether it is preattached. Extra parts may be included.**



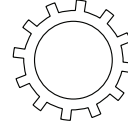
M8 Nut
(12)-4



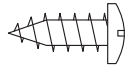
M10 Nut
(11)-6



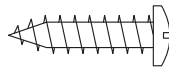
M10 Star
Washer (13)-4



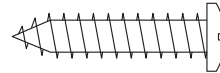
M10 Black Star
Washer (14)-4



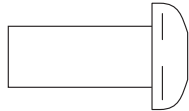
M4.2 x 13mm
Screw (5)-2



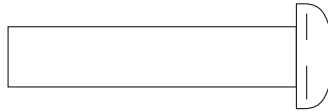
M4.2 x 19mm
Screw (3)-16



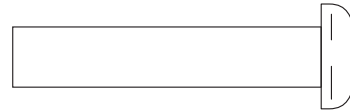
#10 x 1"
Screw (4)-2



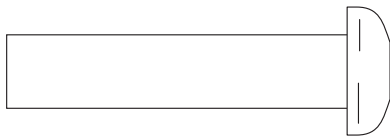
M8 x 19mm
Screw (8)-4



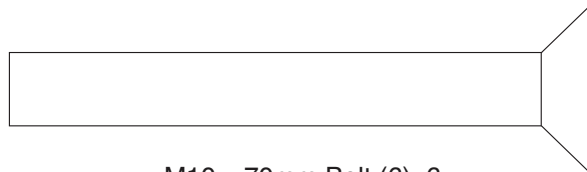
M8 x 38mm Bolt (7)-4



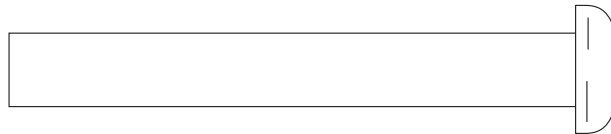
M8 x 41mm Screw (9)-4



M10 x 45mm Screw (2)-4



M10 x 70mm Bolt (6)-6



M10 x 75mm Screw (1)-4

ASSEMBLY

Easy step-by-step interactive 3D assembly instructions for this product can be found on

BILT.®




Download the **FREE** App



Scan here and search by your model number



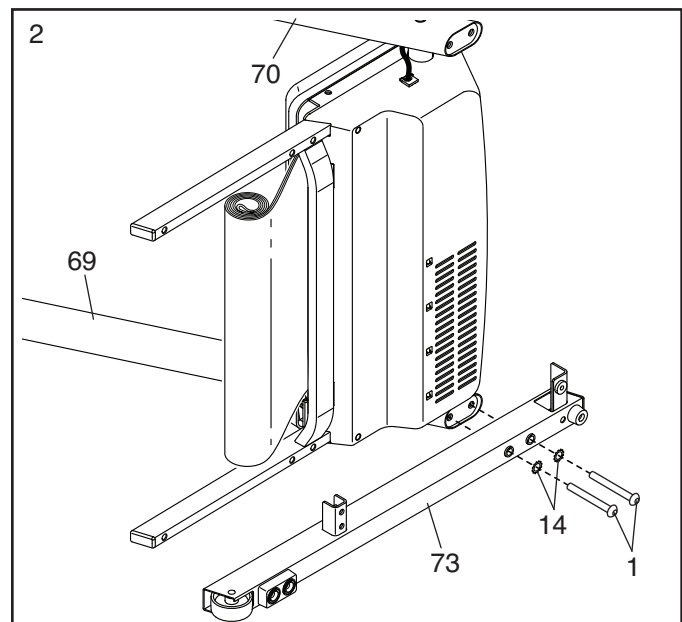
1. To use the assembly steps in this manual, first see the helpful tips below.

- To hire an authorized service technician to assemble the treadmill, call 1-800-445-2480.
 - Assembly requires two persons.
 - Place all parts in a cleared area and remove the packing materials. Do not dispose of the packing materials until you finish all assembly steps.
 - After shipping, there may be an oily substance on the exterior of the treadmill. This is normal. If there is an oily substance on the treadmill, wipe it off with a soft cloth and a mild, non-abrasive cleaner.
 - Left parts are marked “L” or “Left” and right parts are marked “R” or “Right.”
 - To identify small parts, see page 7.
 - Assembly requires the following tools:
 - the included hex keys 
 - one Phillips screwdriver 
 - one adjustable wrench 
- To avoid damaging parts, do not use power tools.

2. Make sure that the power cord is unplugged.

With the help of a second person, set the treadmill on a piece of packaging on the floor. Tip the treadmill onto its left side, and position the Left and Right Uprights (69, 70) as shown.

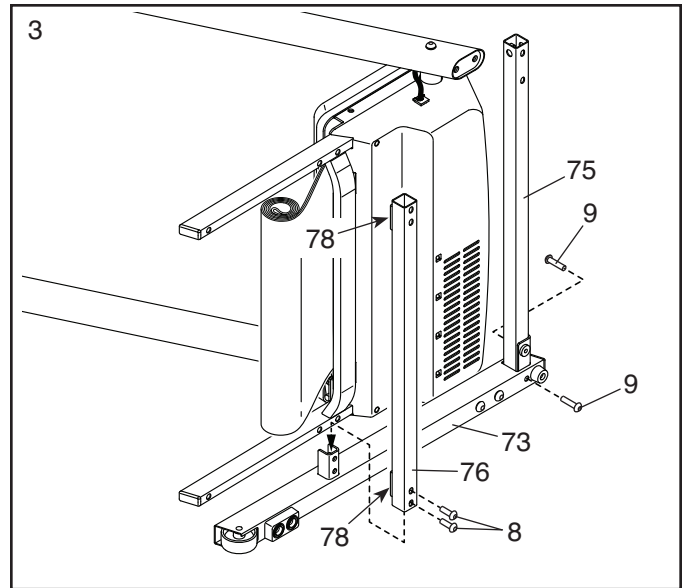
Next, identify the Left Base Leg (73). Orient the Left Base Leg as shown, and attach it with two M10 x 75mm Screws (1) and two M10 Black Star Washers (14); **start both Screws, and then tighten them.**



- Identify the Rear Base Crossbar (76) by the Thin Base Pads (78) attached to its top.

Attach the Rear Base Crossbar (76) to the Left Base Leg (73) with two M8 x 19mm Screws (8); **do not fully tighten the Screws yet.**

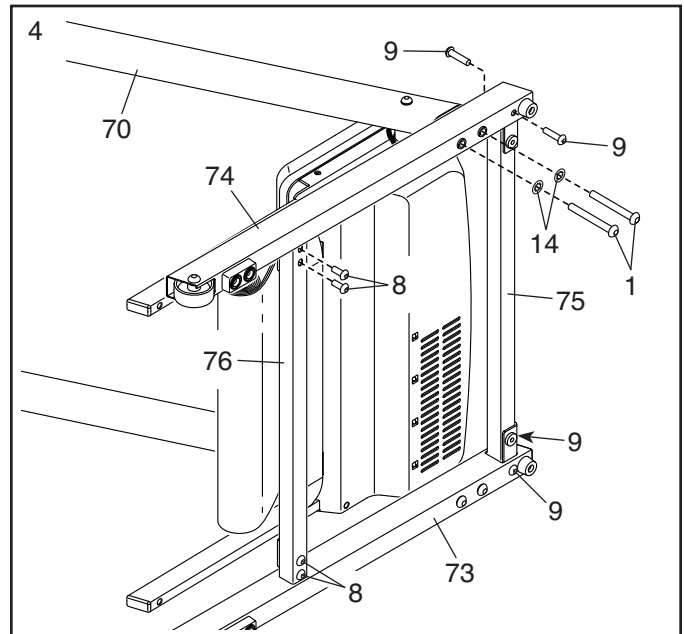
Next, identify the Front Base Crossbar (75) and orient it so that the “this side up” decals will face upward when the treadmill is set upright. Then, attach the Front Base Crossbar with two M8 x 41mm Screws (9); **do not fully tighten the Screws yet.**



- Slide the Right Base Leg (74) onto the Front and Rear Base Crossbars (75, 76).

While a second person supports the Right Upright (70), attach the Right Base Leg (74) with two M8 x 19mm Screws (8), two M8 x 41mm Screws (9), and two M10 x 75mm Screws (1) with two M10 Black Star Washers (14); **start all of the Screws, and then tighten them.**

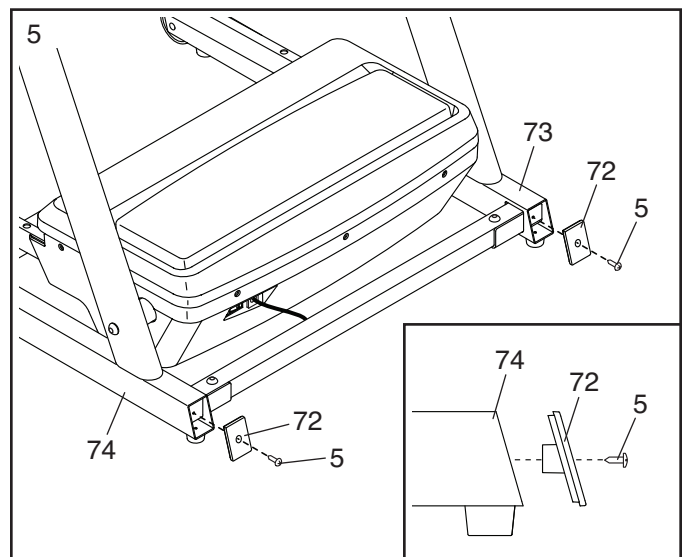
Then, tighten the two M8 x 19mm Screws (8) and the two M8 x 41mm Screws (9) in the Left Base Leg (73).



- With the help of a second person, tip the treadmill upright so that the Base Legs (73, 74) are resting on the floor.

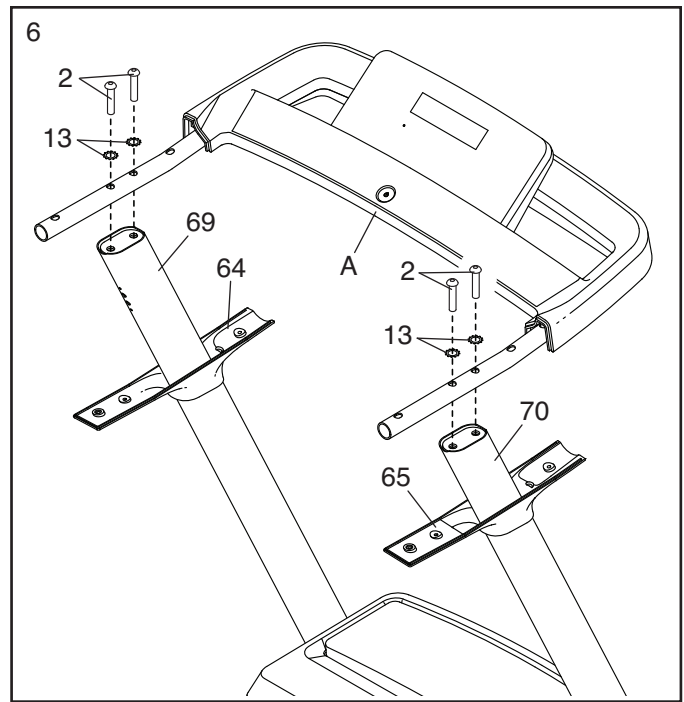
See the inset drawing. Identify the two Base Leg Caps (72) and orient them as shown.

Attach the Base Leg Caps (72) with two M4.2 x 13mm Screws (5); **do not overtighten the Screws.**



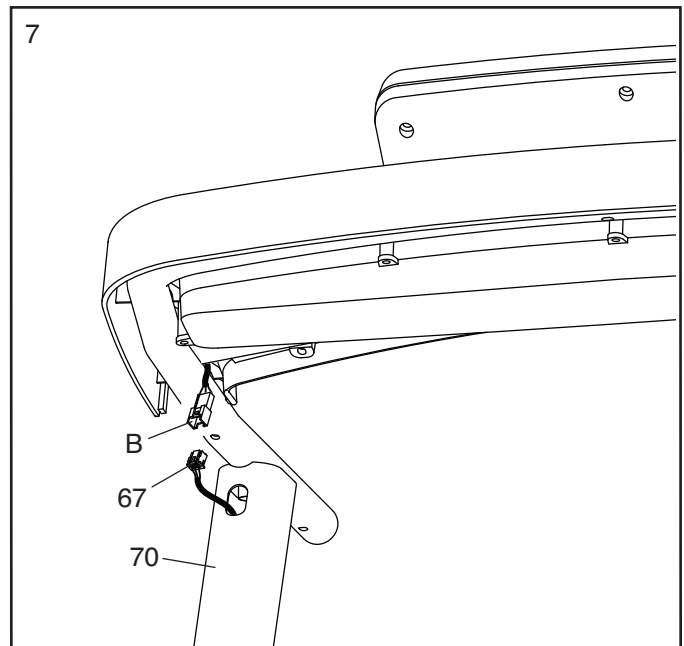
6. Identify the Left and Right Handrail Bottoms (64, 65) and slide them onto the Uprights (69, 70) as shown.

With the help of a second person, attach the handrail assembly (A) to the Uprights (69, 70) with four M10 x 45mm Screws (2) and four M10 Star Washers (13); **start all four Screws, and then tighten them.**



7. Connect the Upright Wire (67) to the console wire (B). **The connectors should slide together easily and snap into place.** If they do not, turn one connector and try again.

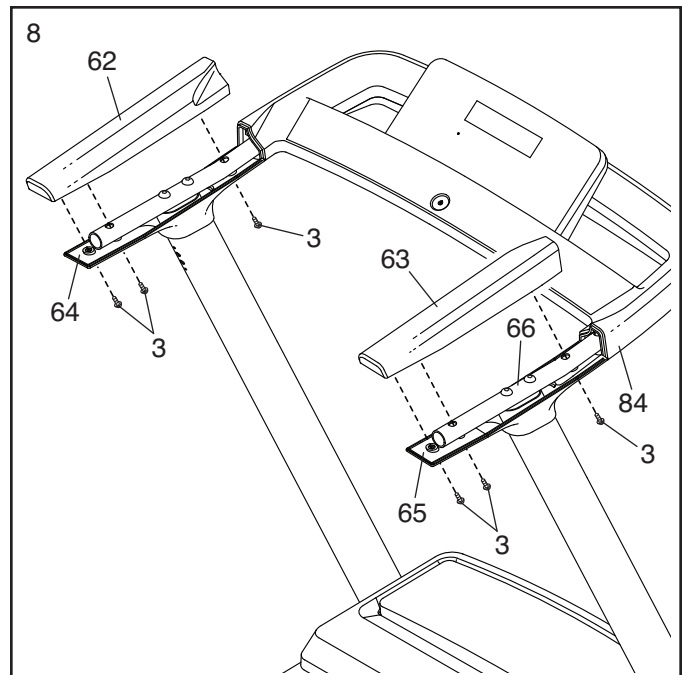
Insert any excess wire (B, 67) into the Right Upright (70).



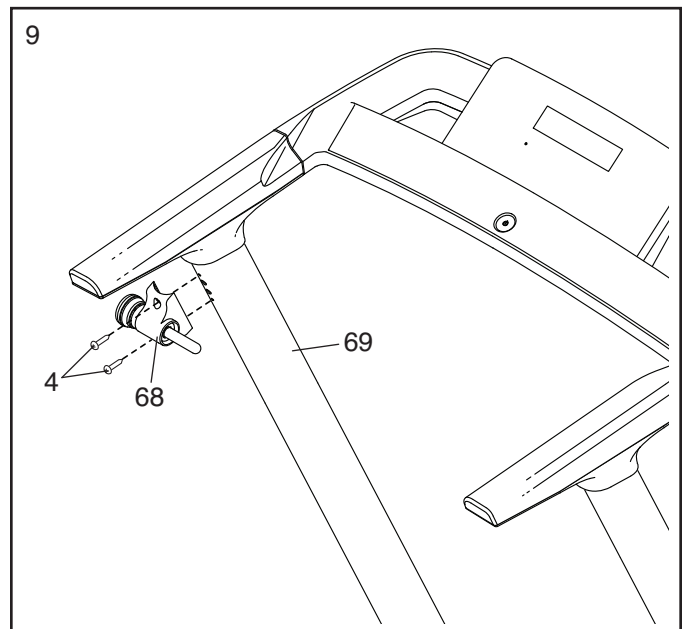
8. Identify the Right Handrail Top (63). Set the Right Handrail Top on the Handrail (66) and slide it forward against the Console Base (84).

Next, slide the Right Handrail Bottom (65) upward. **Make sure that the Upright Wire (see step 7) is covered by the Right Handrail Bottom and is not pinched.** Attach the Right Handrail Bottom to the Right Handrail Top (63) with three M4.2 x 19mm Screws (3). **Note: The Screws need to be inserted at an angle as shown. Do not overtighten the Screws.**

Repeat this step on the left side with the Left Handrail Top (62) and the Left Handrail Bottom (64). Note: There are no wires on the left side.



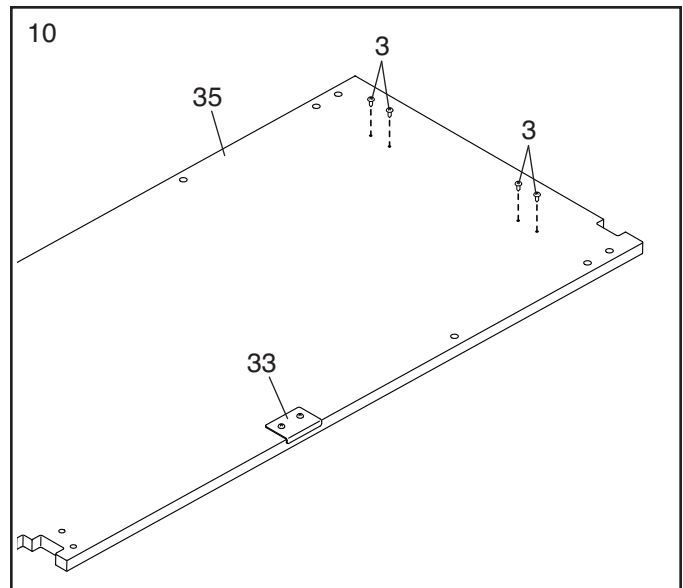
9. Orient the Storage Latch (68) as shown. Attach the Storage Latch to the Left Upright (69) with two #10 x 1" Screws (4); **start both Screws, and then tighten them.**



10. Lay the Walking Platform (35) on a soft surface to avoid scratching the Walking Platform. Make sure that the Latch Plate (33) is on the top surface.

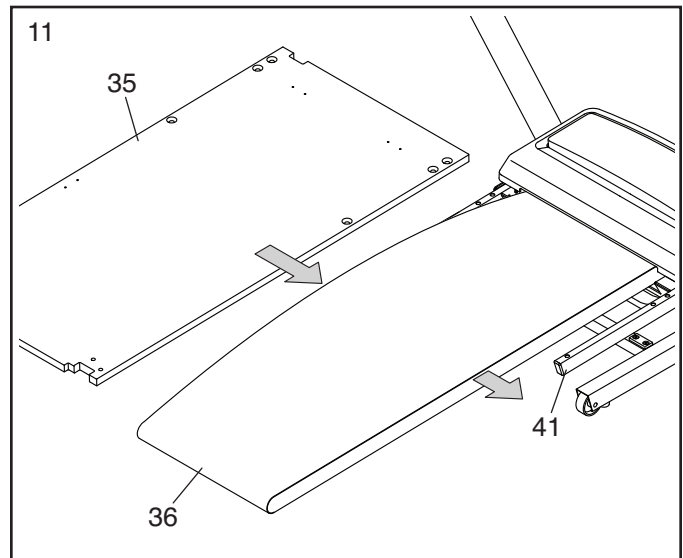
Start four M4.2 x 19mm Screws (3) in the locations shown. **Do not fully tighten the Screws; leave about a 1/8" (3mm) gap between each Screw head and the surface of the Walking Platform (35).**

Then, turn the Walking Platform (35) over so that the Latch Plate (33) is on the bottom.

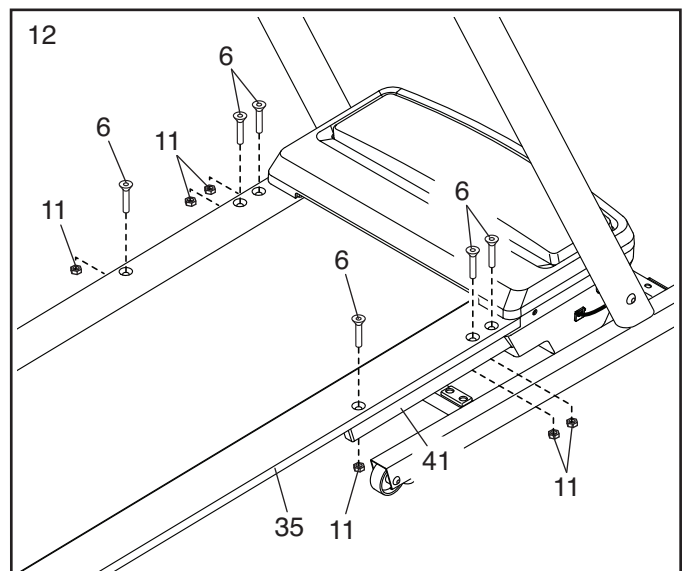


11. **IMPORTANT:** Make sure that the Screws on the bottom of the Walking Platform (35) that you attached in step 10 do not catch on the Walking Belt (36) or the Frame (41) during this step.

Unroll the Walking Belt (36). Orient the Walking Platform (35) as shown. Then, have a second person hold one side of the Walking Belt open as you slide the Walking Platform into the Walking Belt.



12. Attach the Walking Platform (35) to the Frame (41) with six M10 x 70mm Bolts (6) and six M10 Nuts (11); **insert all six Bolts, and then tighten the Nuts.**

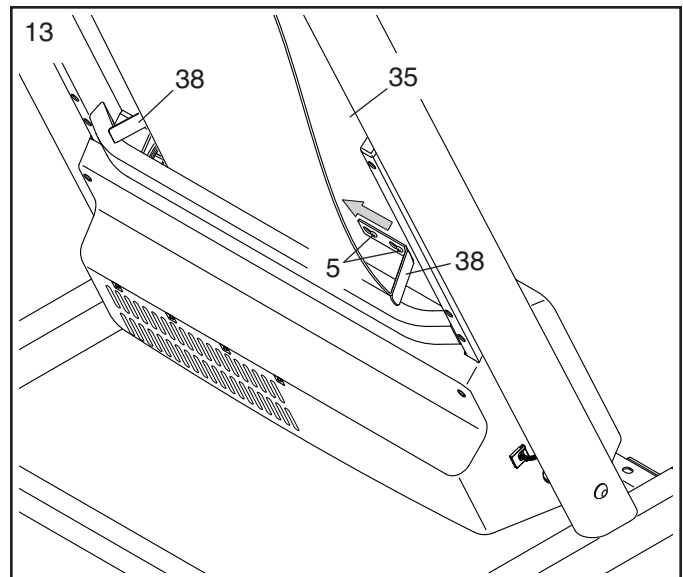


13. Raise the Walking Platform (35) to the storage position (see HOW TO FOLD THE TREADMILL on page 24).

Next, orient a Belt Guide (38) as shown, and set it over the M4.2 x 13mm Screws (5) that you started in step 6. **Slide the Belt Guide toward the center of the Walking Platform (35) as far as the Screws will allow. Then, firmly tighten the Screws.**

Attach the other Belt Guide (38) as described above.

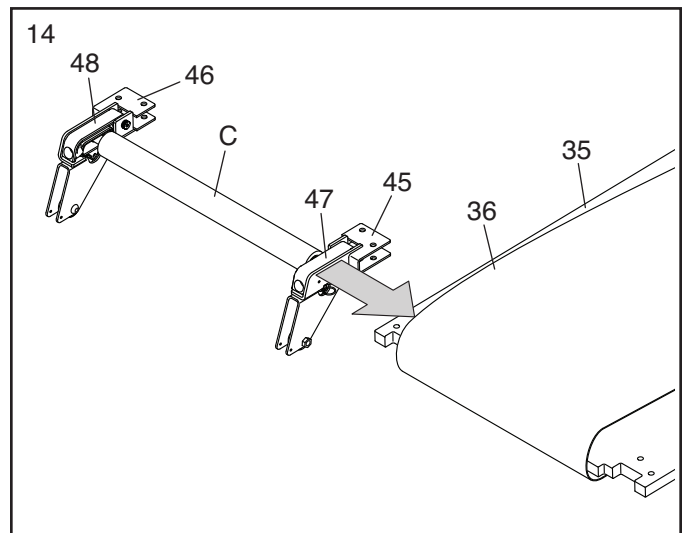
Then, lower the Walking Platform (35) (see HOW TO LOWER THE TREADMILL FOR USE on page 24).



14. **IMPORTANT: Identify the idler roller assembly (C). To avoid scratching the Walking Platform (35), do not remove the protective materials from the Right and Left Rear Feet (45, 46) until this step is completed.**

Carefully slide the idler roller assembly (C) between the Walking Belt (36) and the top of the Walking Platform (35).

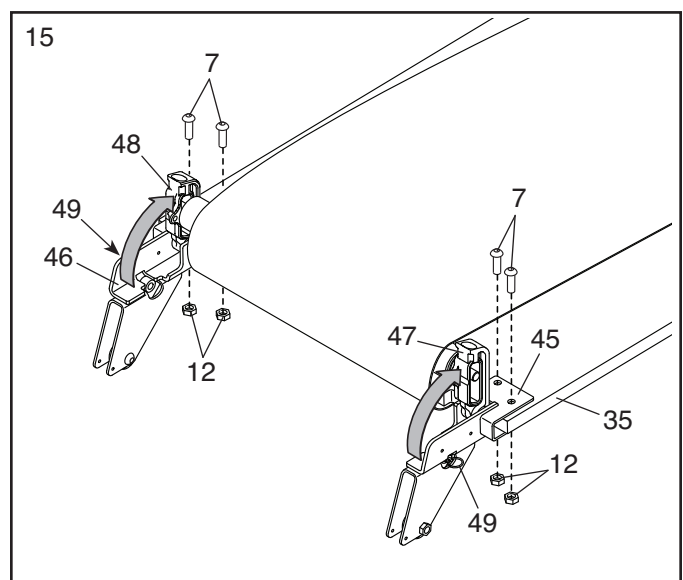
Then, remove the protective materials from the Rear Feet (45, 46).



15. Pull the Roller Bracket Pins (49), and rotate the Right and Left Roller Brackets (47, 48) to the vertical position shown.

Next, slide the Right and Left Rear Feet (45, 46) onto the Walking Platform (35); **avoid scratching the surface of the Walking Platform.**

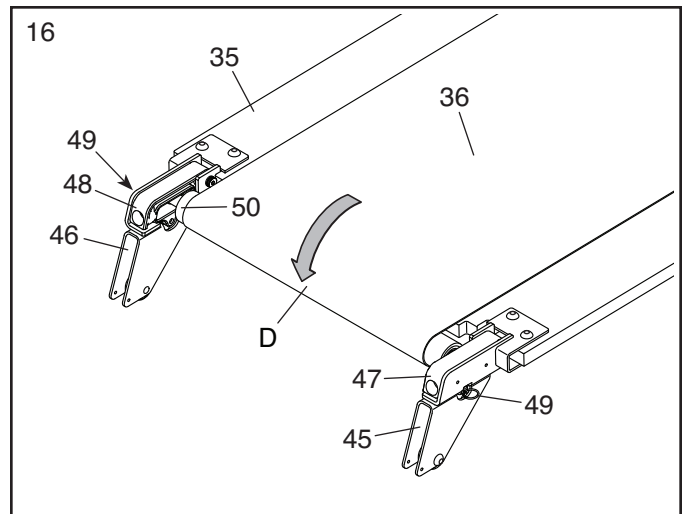
Attach the Right and Left Rear Feet (45, 46) with four M8 x 38mm Bolts (7) and four M8 Nuts (12).



16. Center the Walking Belt (36) on the Walking Platform (35).

IMPORTANT: Keep hands, clothing, and other objects away from the Right and Left Roller Brackets (47, 48) during this step.

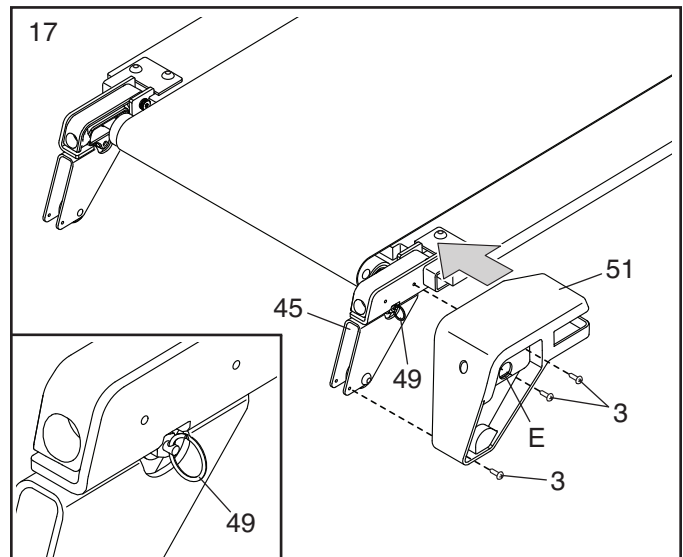
Grasp the center (D) of the Idler Roller (50) and the Walking Belt (36) firmly with both hands. Rotate the Idler Roller downward until both Roller Brackets lock into the Right and Left Rear Feet (45, 46); pull the Roller Bracket Pins (49) if needed to fully seat the Roller Brackets in the Rear Feet. **Then, make sure that the Roller Bracket Pins are fully engaged.**



17. **See the inset drawing.** Turn the ring on the right Roller Bracket Pin (49) to a vertical position as shown.

Slide the Right Foot Cover (51) over the Right Rear Foot (45) as shown. **Make sure that the ring on the Roller Bracket Pin (49) goes through the hole (E) in the Right Foot Cover.** Attach the Right Foot Cover with three M4.2 x 19mm Screws (3); **start all three Screws, and then tighten them.**

Attach the Left Foot Cover (not shown) as described above.

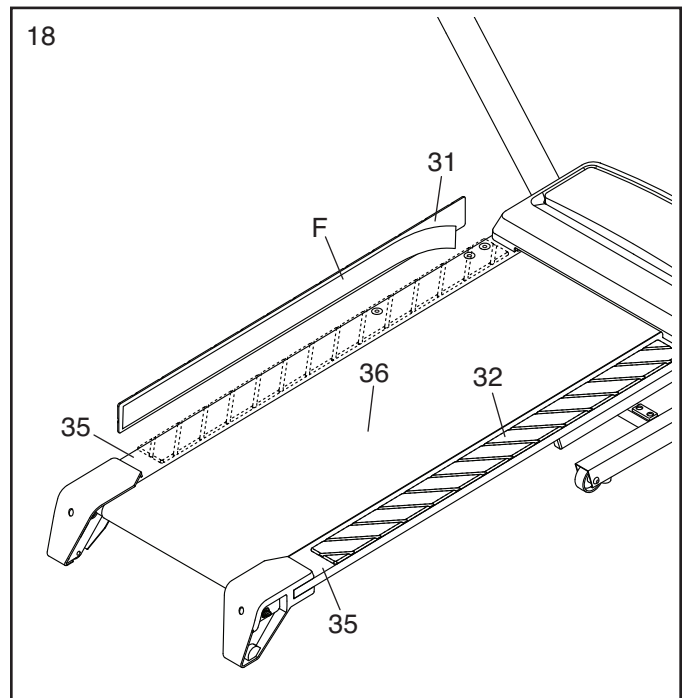


18. Identify the Left and Right Foot Rail Pads (31, 32).

IMPORTANT: Before you adhere the Foot Rail Pads (31, 32), you must first prepare the surface of the Walking Platform (35). Using a towelette or cloth moistened with 70–90% isopropyl alcohol (rubbing alcohol), clean the surface of the Walking Platform on each side of the Walking Belt (36). **Make sure that these areas are free of oil, dirt, or any other debris.**

Next, peel the paper backing (F) off the bottom of the Left Foot Rail Pad (31). Carefully align the edge of the Left Foot Rail Pad with the outer edge of the Walking Platform (35), and press it onto the Walking Platform in the location shown.

Attach the Right Foot Rail Pad (32) as described above.

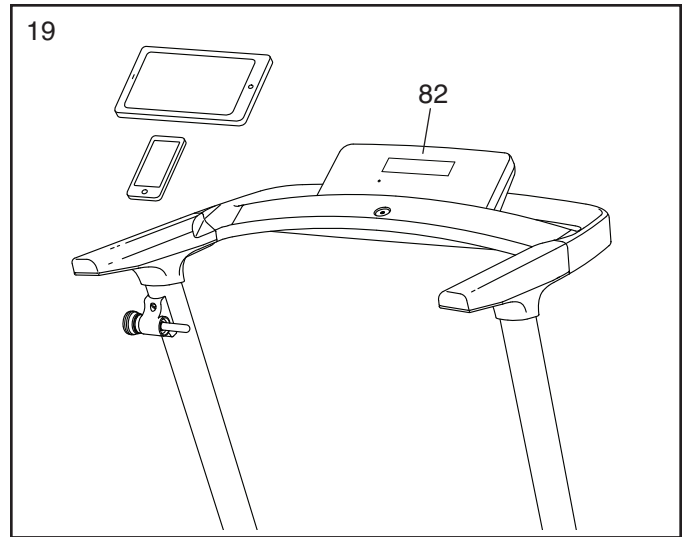


19. **IMPORTANT: You must activate your Console (82) to begin using its exclusive features.**

First, plug in the power cord (see page 16) and turn on the power (see page 18).

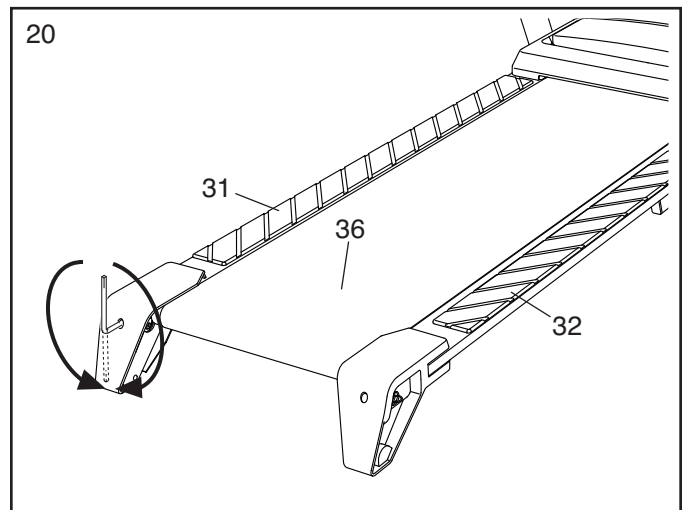
Then, using your smartphone or tablet, go to **iFit.com/activate** and follow the instructions to activate the Console (82).

Note: If you do not have a smartphone or tablet, use your computer to go to **iFit.com/activate** for an alternate way to activate the Console (82). If you do not have a computer, call Customer Care (see the front cover of this manual).



20. **Before using the treadmill, you must properly align and tighten the Walking Belt (36). Improper alignment or tension can cause performance issues and may damage your treadmill.**

Start the Walking Belt (36) at 1 mph (see page 18). While walking on the treadmill, observe the Walking Belt. If the Walking Belt slips, slows, or does not remain centered between the Foot Rail Pads (31, 32), stop the Walking Belt and see pages 26 and 27 to make the proper adjustments. **Make sure to adjust the Walking Belt in small increments and to observe the Walking Belt for a minute after each adjustment.**



21. **Make sure that all parts are properly tightened before you use the treadmill.** To protect the floor or carpet, place a mat under the treadmill. To avoid damage to the console, keep the treadmill out of direct sunlight. Keep the included hex keys in a secure place. One of the hex keys is used to adjust the walking belt (see pages 26 and 27). Note: Extra parts may be included.

To register your product and activate your warranty today, go to my.proform.com.

HOW TO USE THE TREADMILL

HOW TO CONNECT THE POWER CORD

Use a Surge Suppressor

Your treadmill, like other electronic equipment, can be damaged by sudden voltage changes in your home's power. Voltage surges, spikes, and noise interference can result from weather conditions or from other appliances being turned on or off. **To decrease the risk of damaging the treadmill, always use a surge suppressor (A) with the treadmill. To purchase a surge suppressor, see precaution 14 on page 3.**

Use only a surge suppressor (A) that is UL 1449 listed as a transient voltage surge suppressor (TVSS). The surge suppressor must have a UL suppressed voltage rating of 400 volts or less and a minimum surge dissipation of 450 joules. The surge suppressor must also be electrically rated for 120 volts AC and 15 amps. There must be a monitoring light on the surge suppressor to indicate whether it is functioning properly. **Failure to use a properly functioning surge suppressor could result in damage to the control system of the treadmill and serious injury to users.**

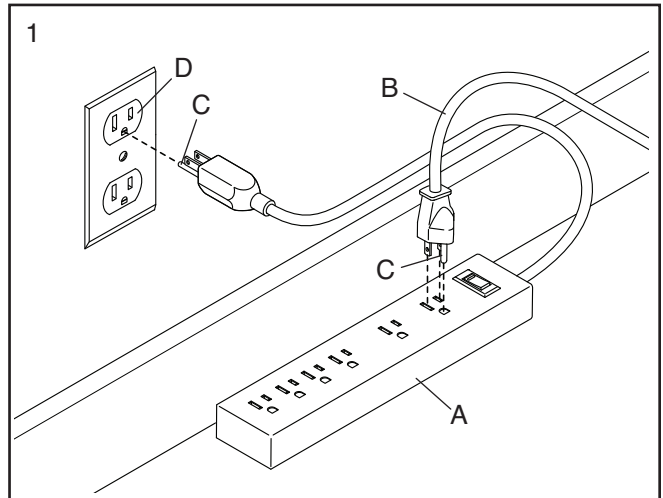
Plug in the Power Cord

The treadmill must be grounded. If it should malfunction or break down, grounding provides a path of least resistance for electric current to reduce the risk of electric shock. The treadmill power cord (B) has a plug with a grounding pin (C) (see drawing 1 on this page).

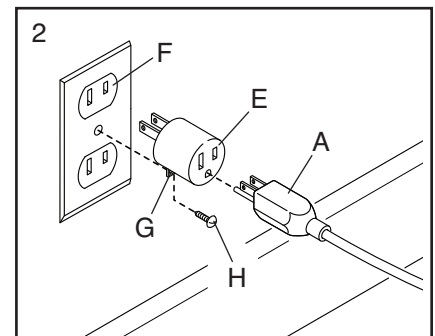
⚠ DANGER: Improper connection of the power cord increases the risk of electric shock. Do not modify the plug—if it will not fit an outlet, have a proper outlet installed by a qualified electrician. If you are unsure whether the treadmill is properly grounded, contact a qualified electrician.

Plug the power cord (B) into a surge suppressor (A), and plug the surge suppressor into an appropriate outlet (D) that is properly installed and grounded in accordance with all local codes and ordinances. **The outlet must be on a nominal 120-volt circuit**

capable of carrying 15 or more amps. To avoid overloading the circuit, do not plug other electrical devices, except for low-power devices such as cell phone chargers, into the surge suppressor or into an outlet on the same circuit. **IMPORTANT: If the treadmill is connected to an AFCI-equipped outlet and your circuit breaker trips repeatedly when the treadmill is used, see the front cover of this manual to purchase an arc filter.**

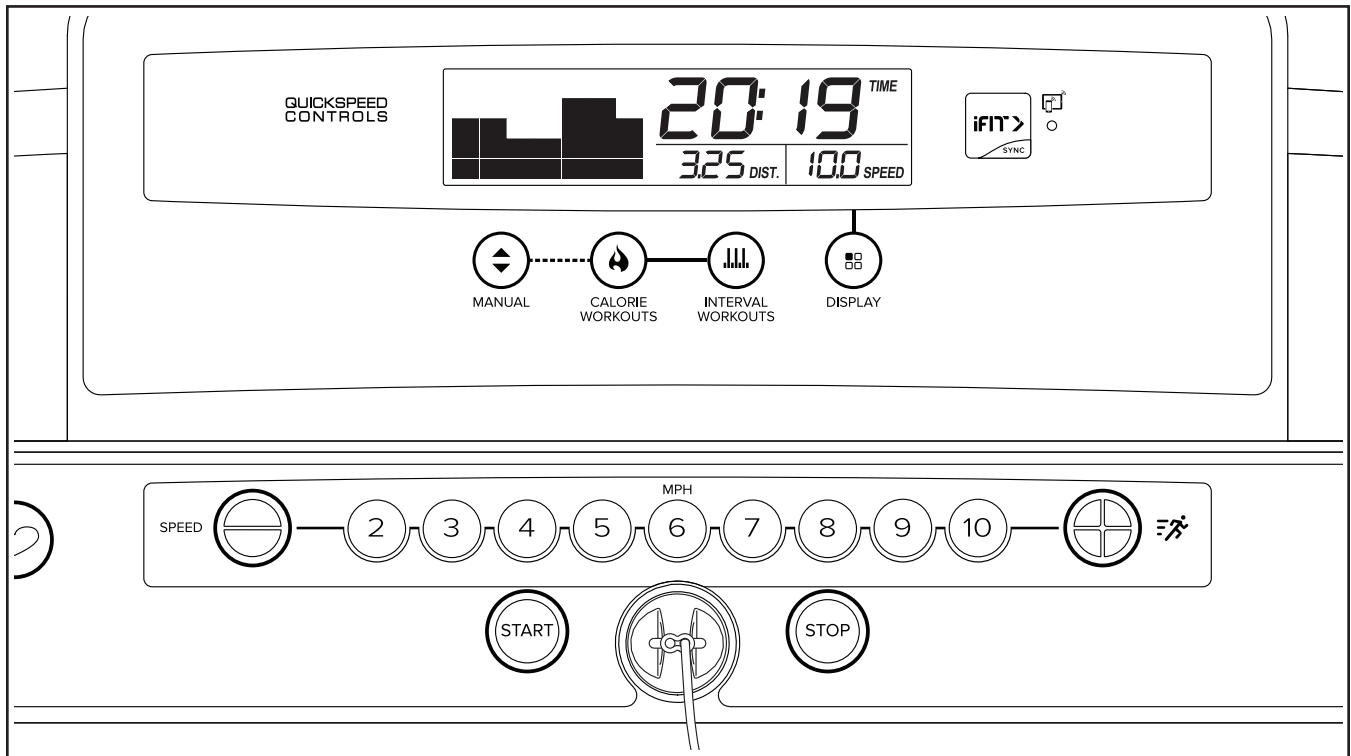


A temporary adapter (E) may be used to connect the surge suppressor (A) to a 2-pole receptacle (F) if a properly grounded outlet is not available.



The lug (G) or wire extending from the adapter must be connected with a metal screw (H) to a permanent ground such as a properly grounded outlet box cover. **Some 2-pole receptacle outlet box covers are not grounded. Before using an adapter, contact a qualified electrician to determine whether the outlet box cover is grounded. The temporary adapter should be used only until a properly grounded outlet can be installed by a qualified electrician.**

CONSOLE DIAGRAM



FEATURES OF THE CONSOLE

IMPORTANT: To activate your console and begin using its exclusive features, see assembly step 19 on page 15.

The treadmill console offers a selection of features designed to make your workouts more effective. When you select the manual mode of the console, you can change the speed of the treadmill with the touch of a button. As you exercise, the displays will provide continuous exercise feedback. You can even measure your heart rate using the built-in heart rate monitor or a compatible Bluetooth heart rate monitor. **See page 22 for information about purchasing an optional chest heart rate monitor.**

The console also offers a selection of onboard workouts. Each workout automatically controls the speed of the treadmill as it guides you through an effective exercise session.

You can also connect your tablet to the console and use the iFit®-Smart Cardio Equipment app to record and track your workout information.

To turn on the power, see page 18. To use the manual mode, see page 18. To use an onboard workout, see page 20. To connect your tablet to the console, see page 21. To connect a heart rate monitor to the console, see page 21. To use the information mode, see page 22.

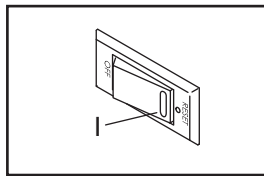
IMPORTANT: If there is a sheet of plastic on the face of the console, remove the plastic. To prevent damage to the walking platform, wear clean athletic shoes while using the treadmill. The first time the treadmill is used, observe the alignment of the walking belt, and center the walking belt if necessary (see page 26).

Note: The console can display speed and distance in either miles or kilometers. To find which unit of measurement is selected, see THE INFORMATION MODE on page 22. **For simplicity, all instructions in this section refer to miles.**

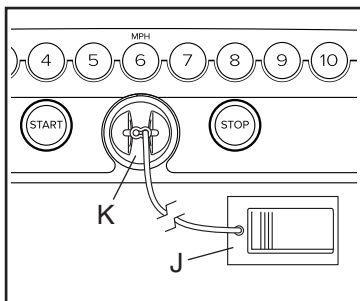
HOW TO TURN ON THE POWER

IMPORTANT: If the treadmill has been exposed to cold temperatures, allow it to warm to room temperature before you turn on the power. If you do not do this, you may damage the console displays or other electrical components.

Plug in the power cord (see page 16). Next, locate the power switch on the treadmill frame near the power cord. Make sure that the switch is in the reset position (I).



Next, stand on the foot rails of the treadmill. Find the clip (J) attached to the key (K), and slide the clip onto the waistband of your clothes. Then, insert the key into the console. After a moment, the displays will light. **IMPORTANT:** In an emergency, the key can be pulled from the console, causing the walking belt to slow to a stop. Test the clip by carefully taking a few steps backward; if the key is not pulled from the console, adjust the position of the clip.



HOW TO USE THE MANUAL MODE

1. Insert the key into the console.

See HOW TO TURN ON THE POWER at the left.

2. Select the manual mode.

When the key is inserted, the manual mode will be selected. If you have selected an onboard workout, return to the manual mode by pressing the Manual button.



3. Start the walking belt.

To start the walking belt, press the Start button or one of the numbered speed buttons.

If you press the Start button, the walking belt will begin to move at 1 mph. As you exercise, change the speed of the walking belt as desired by pressing the speed increase and decrease buttons. Each time you press one of the buttons, the speed setting will change by 0.1 mph; if you hold down the button, the speed setting will change in increments of 0.5 mph. Note: After you press the buttons, it may take a moment for the walking belt to reach the selected speed setting.

If you press one of the numbered speed buttons, the walking belt will gradually change speed until it reaches the selected speed setting. To select a speed setting that includes a decimal—such as 3.5 mph—press two numbered buttons in succession. For example, to select a speed setting of 3.5 mph, press the 3 button and then immediately press the 5 button. Note: This feature will not function when the console is set to metric units.

To stop the walking belt, press the Stop button. The time will begin to flash in the left display. To restart the walking belt, press the Start button or the speed increase button.

4. Follow your progress with the displays.

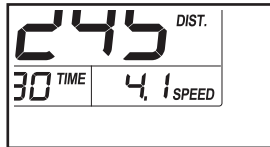
When you select the manual mode, a track representing 1/4 mile (400 m) will appear in the matrix. As you walk or run on the treadmill, the indicators around the track will appear in succession until the entire track appears. The track will then disappear and the indicators will again begin to appear in succession.



The lower left display can show the elapsed time and the distance that you have walked or run during your workout. Note: When an onboard workout is selected, the display will show the time remaining in the workout instead of the elapsed time.



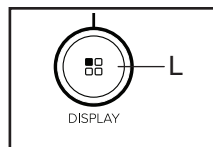
The lower right display can show the speed of the walking belt and the approximate number of calories that you have burned during your workout. The display will also show your heart rate when you use the handgrip heart rate monitor (see step 5).



The upper display can show the elapsed time, the distance that you have walked or run, the approximate number of calories you have burned, or the speed of the walking belt.



The Display button (L) can be used to select which information is shown in the upper display.



To reset the displays, press the Stop button repeatedly.

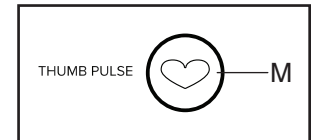
5. Measure your heart rate if desired.

You can measure your heart rate using either the thumb heart rate monitor or a compatible heart rate monitor. **For information about purchasing an optional chest heart rate monitor, see page 22.**

The console is compatible with Bluetooth® Smart heart rate monitors. To connect a heart rate monitor to the console, see page 21.

Note: If you use both heart rate monitors at the same time, the Bluetooth Smart heart rate monitor will have priority.

To measure your heart rate, **stand on the foot rails** and place your thumb on the heart rate monitor (M). **Do not press too hard, or the circulation in your thumb will be restricted and your heart rate may not be detected.**



When your heart rate is detected, the small heart symbol in the left display will flash and your heart rate will be shown. For the most accurate heart rate reading, hold your thumb on the heart rate monitor for at least 15 seconds.

If the displayed heart rate appears to be too high or too low, or if your heart rate is not displayed, lift your thumb for a few seconds, and then reposition your thumb on the heart rate monitor. Remember to stand still while measuring your heart rate.

6. When you are finished exercising, remove the key from the console.

Step onto the foot rails and press the Stop button. Then, remove the key from the console and put it in a secure place.

When you are finished using the treadmill, press the power switch into the off position and unplug the power cord. **IMPORTANT: If you do not do this, the treadmill's electrical components may wear prematurely.**

HOW TO USE AN ONBOARD WORKOUT

1. Insert the key into the console.

See HOW TO TURN ON THE POWER on page 18.

2. Select a workout.

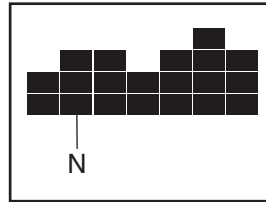
To select an onboard workout, press the Calorie Workouts or Interval Workouts button repeatedly until the number of the desired workout appears in the display. When you select a workout, the time, distance, and maximum speed settings of the workout will appear in the display for a few seconds.

3. Start the walking belt.

Press the Start button. A moment after you press the button, the treadmill will automatically adjust to the first speed setting of the workout. Hold the handrails and begin walking.

Each workout is divided into segments. A speed setting is programmed for each segment. Note: The same speed setting may be programmed for consecutive segments.

During the workout, the profile will show your progress. The flashing segment (N) of the profile represents the current segment of the workout. The height of the flashing segment indicates the speed setting for the current segment. At the end of each segment, a series of tones will sound. If a different speed setting is programmed for the next segment of the workout, the new setting will flash in the display to alert you. The treadmill will then automatically adjust to the setting for the next segment.



The workout will continue in this way until the last segment of the profile flashes and the last segment ends. The walking belt will then slow to a stop.

If the speed setting for the current segment is too high or too low, you can manually override the setting by pressing the speed buttons; **however, when the current segment of the workout ends, the treadmill will automatically adjust to the speed setting for the next segment.**

To stop the workout at any time, press the Stop button. To restart the workout, press the Start button. The walking belt will begin to move at 1 mph. When the next segment of the workout begins, the treadmill will automatically adjust to the speed setting for that segment.

You may also return to manual control at any time by pressing the Manual button. Doing so will end the current workout and return the treadmill to manual mode at the currently selected speed.

4. Follow your progress with the displays.

See step 4 on page 19.

5. Measure your heart rate if desired.

See step 5 on page 19.

6. When you are finished exercising, remove the key from the console.

See step 6 on page 19.

HOW TO CONNECT YOUR TABLET TO THE CONSOLE

The console supports Bluetooth connections to tablets via the iFit–Smart Cardio Equipment app and to compatible heart rate monitors. Note: Other Bluetooth connections are not supported.

1. Download and install the iFit–Smart Cardio Equipment app on your tablet.

On your iOS® or Android™ tablet, open the App StoreSM or the Google Play™ store, search for the free iFit–Smart Cardio Equipment app, and then install the app on your tablet. **Make sure that the Bluetooth option is enabled on your tablet.**

Then, open the iFit–Smart Cardio Equipment app and follow the instructions to set up an iFit account and customize settings.

2. Connect a heart rate monitor to the console if desired.

If you are connecting both your heart rate monitor and your tablet to the console, **you must connect your heart rate monitor before you connect your tablet.** See HOW TO CONNECT A HEART RATE MONITOR TO THE CONSOLE at the right.

3. Connect your tablet to the console.

Press the iFit Sync button on the console; the console pairing number will appear in the display. Then, follow the instructions in the iFit–Smart Cardio Equipment app to connect your tablet to the console.

When a connection is established, the LED on the console will turn solid blue.

4. Record and track your workout information.

Follow the instructions in the iFit–Smart Cardio Equipment app to record and track your workout information.

5. Disconnect your tablet from the console if desired.

To disconnect your tablet from the console, first select the disconnect option in the iFit–Smart Cardio Equipment app. Then, press and hold the iFit Sync button on the console until the LED on the console turns solid green.

Note: All Bluetooth connections between the console and other devices (including any tablets, heart rate monitors, and so forth) will be disconnected.

HOW TO CONNECT A HEART RATE MONITOR TO THE CONSOLE

The console is compatible with Bluetooth Smart heart rate monitors. **See page 17 for information about purchasing an optional chest heart rate monitor.**

To connect your Bluetooth Smart heart rate monitor to the console, press the iFit Sync button on the console; the console pairing number will appear in the display. When a connection is established, the LED on the console will flash red twice.

Note: If there is more than one compatible heart rate monitor near the console, the console will connect to the heart rate monitor with the strongest signal.

To disconnect your heart rate monitor from the console, press and hold the iFit Sync button on the console until the LED on the console turns solid green.

Note: All Bluetooth connections between the console and other devices (including any tablets, heart rate monitors, and so forth) will be disconnected.

THE INFORMATION MODE

The console features an information mode that keeps track of treadmill usage information and allows you to view and change the console settings.

1. Select the information mode.

To select the information mode, insert the key into the console while holding down the Stop button. Then, release the Stop button. Note: If a workout has been selected, you may need to press the Stop button twice to exit the workout before you can access the information mode. When the information mode is selected, the following information will be shown:

The upper display will show the software version of the console.

An “E” for English miles or an “M” for metric kilometers will appear in the lower right display. Press the Speed increase button to change the unit of measurement, if desired.

2. Navigate the information mode.

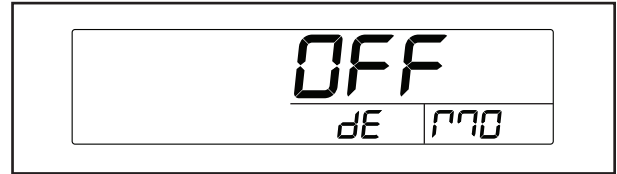
While the information mode is selected, you can navigate through several screens. Press the Stop button repeatedly to select the desired screen.

3. Change settings as desired.

Display Test—This screen is intended to be used by service technicians to identify whether the display is working correctly.

Button Test—This screen is intended to be used by service technicians to identify whether a certain button is working correctly.

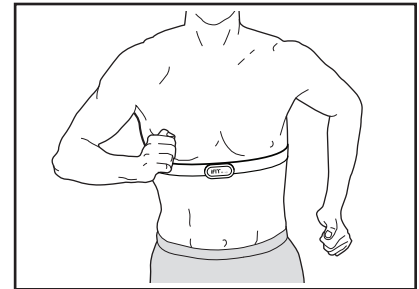
Demo Mode—The currently selected demo mode option will appear in the display. The console features a demo mode, designed to be used if the treadmill is displayed in a store. If the demo mode is turned on, the console will not turn off and the display will not be reset when you finish exercising. Press the Speed increase button to toggle the demo mode on or off.



To exit the information mode, remove the key from the console, or press the Stop button repeatedly.

THE OPTIONAL CHEST HEART RATE MONITOR

Whether your goal is to burn fat or to strengthen your cardiovascular system, the key to achieving the best results is to maintain the proper heart rate during your



workouts. The optional chest heart rate monitor will enable you to continuously monitor your heart rate while you exercise, helping you to reach your personal fitness goals. To purchase a chest heart rate monitor, please see the front cover of this manual.

Note: The console is compatible with all Bluetooth Smart heart rate monitors.

FCC INFORMATION

This console has been tested and found to comply with the limits for a Class B digital device, pursuant to part 15 of the FCC Rules. These limits are designed to provide reasonable protection against harmful interference in a residential installation. This equipment generates, uses, and can radiate radio frequency energy and, if not installed and used in accordance with the instructions, may cause harmful interference to radio communications. However, there is no guarantee that interference will not occur in a particular installation. If this equipment does cause harmful interference to radio or television reception, which can be determined by turning the equipment off and on, try to correct the interference by one or more of the following measures:

- Reorient or relocate the receiving antenna.
- Increase the separation between the equipment and the receiver.
- Connect the equipment into an outlet on a circuit different from that to which the receiver is connected.
- Consult the dealer or an experienced radio/TV technician for help.

FCC CAUTION: To assure continued compliance, use only shielded interface cables when connecting to computer or peripheral devices. Changes or modifications not expressly approved by the party responsible for compliance could void the user's authority to operate this equipment.

IMPORTANT: To satisfy exposure compliance requirements, the antenna and transmitter in the console must be at least 8 in. (20 cm) from all persons and must not be near or connected to any other antenna or transmitter.

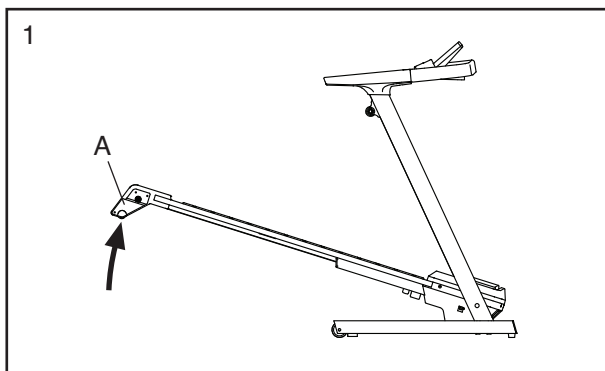
Note: The console contains FCC ID: OMCBMD1.

HOW TO FOLD AND MOVE THE TREADMILL

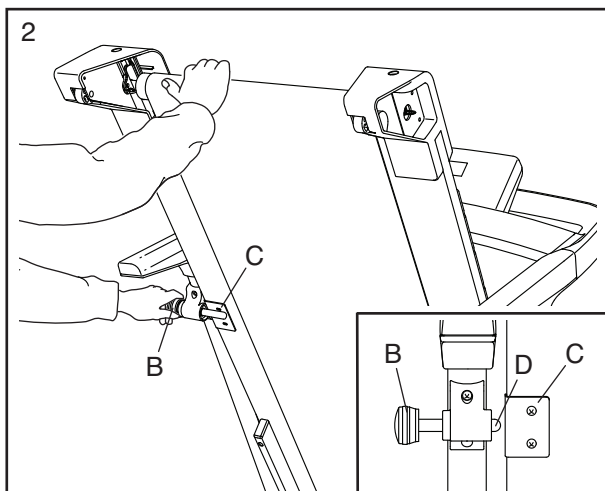
HOW TO FOLD THE TREADMILL

Before folding the treadmill, remove the key and unplug the power cord. **CAUTION:** You must be able to safely lift 45 lbs. (20 kg) to raise, lower, or move the treadmill.

1. Hold the rear feet (A) firmly in the location shown by the arrow below. **CAUTION: Bend your legs and keep your back straight.** Raise the walking platform about halfway to the vertical position.



2. Hold the treadmill firmly with your right hand as shown. Pull the latch knob (B) to the left and hold it. Raise the walking platform until the latch plate (C) is past the latch pin (D). Then, slowly release the latch knob; **make sure that the latch plate is resting against the latch pin.**

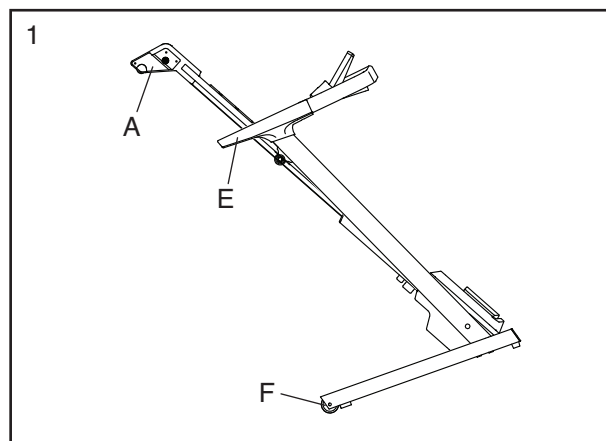


To protect the floor or carpet, place a mat under the treadmill. Keep the treadmill out of direct sunlight. Do not leave the treadmill in the storage position in temperatures above 85°F (30°C).

HOW TO MOVE THE TREADMILL

Before moving the treadmill, fold it as described at the left. **CAUTION: Make sure that the latch plate is resting against the latch pin.** Moving the treadmill may require two people.

1. Hold a rear foot (A) and one of the handrails (E), and place one foot against a wheel (F).



2. Pull back on the handrail (E) until the treadmill will roll on the wheels, and carefully move it to the desired location. **CAUTION: Do not move the treadmill without tipping it back, and do not move the treadmill over an uneven surface.**
3. Place one foot against a wheel (F), and carefully lower the treadmill.

HOW TO LOWER THE TREADMILL FOR USE

1. **See drawing 2.** Hold the upper end of the treadmill with your right hand as shown. Pull the latch knob (B) to the left and hold it. Next, lower the walking platform until it is past the latch pin (D). Then, release the latch knob.
2. **See drawing 1 at the left.** Hold the rear feet (A) firmly with both hands, and lower it to the floor. **CAUTION: Bend your legs and keep your back straight.**

MAINTENANCE AND TROUBLESHOOTING

MAINTENANCE

Regular maintenance is important for optimal performance and to reduce wear. Inspect and properly tighten all parts each time the treadmill is used. Replace any worn parts immediately.

Regularly clean the treadmill and keep the walking belt clean and dry. First, **press the power switch into the off position and unplug the power cord.** Wipe exterior parts of the treadmill with a damp cloth and a small amount of mild soap. **IMPORTANT: Do not spray liquids directly onto the treadmill. To avoid damage to the console, keep liquids away from the console.** Then, thoroughly dry the treadmill with a soft towel.

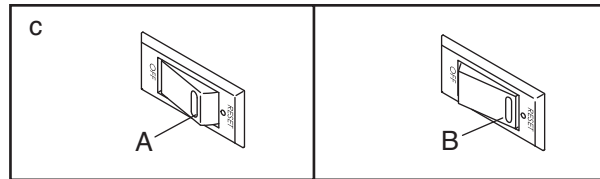
TROUBLESHOOTING

Most treadmill problems can be solved by following the simple steps below. Find the symptom that applies, and follow the steps listed. If further assistance is needed, see the front cover of this manual.

SYMPTOM: The power does not turn on

- Make sure that the power cord is plugged into a surge suppressor and that the surge suppressor is plugged into a properly grounded outlet (see page 16). Use only a surge suppressor that meets all of the specifications described on page 16. **IMPORTANT: If the treadmill is connected to an AFCI-equipped outlet and your circuit breaker trips repeatedly when the treadmill is used, see the front cover of this manual to purchase an arc filter.**
- After the power cord has been plugged in, make sure that the key is inserted into the console.

- Check the power switch located on the treadmill frame near the power cord. If the switch protrudes as shown (A), the switch has tripped. To reset the power switch, wait for five minutes and then press the switch back in (B).



- The console requires activation. If you have not activated the console, see assembly step 19 on page 15.

SYMPTOM: The power turns off during use

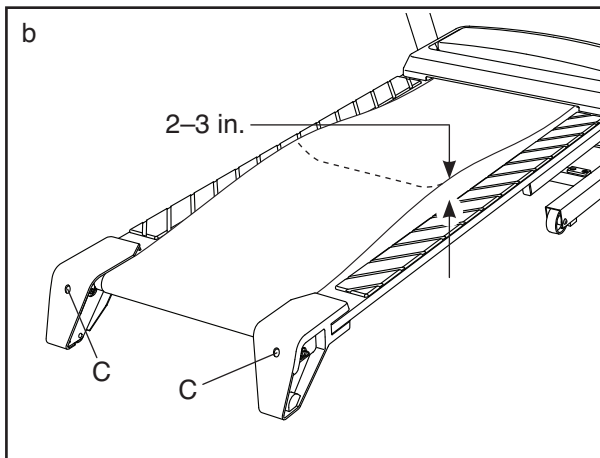
- Check the power switch (see drawing c above). If the switch has tripped, wait for five minutes and then press the switch back in.
- Make sure that the power cord is plugged in. If the power cord is plugged in, unplug it, wait for five minutes, and then plug it back in.
- Remove the key from the console, and then reinsert it.
- If the treadmill still will not run, please see the front cover of this manual.

SYMPTOM: The console displays remain lit when the key is removed from the console

- The console features a display demo mode, designed to be used if the treadmill is displayed in a store. See step 3 on page 22 to check your console settings and turn off the demo mode if needed.

SYMPTOM: The walking belt slows when walked on

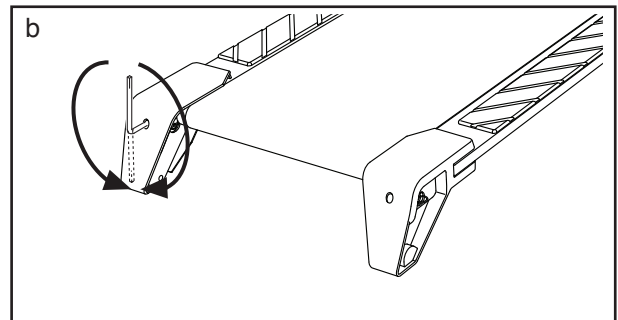
- a. Use only a surge suppressor that meets all of the specifications described on page 16.
- b. If the walking belt is overtightened, treadmill performance may decrease and the walking belt may become damaged. Remove the key and **UNPLUG THE POWER CORD**. Using the hex key, turn both idler roller screws (C) counterclockwise, 1/4 of a turn. When the walking belt is properly tightened, you should be able to lift each edge of the walking belt 2 to 3 in. (5 to 7 cm) off the walking platform. Be careful to keep the walking belt centered. Plug in the power cord, insert the key, and start the walking belt at 1 mph. Walk on the treadmill and observe the walking belt. Repeat until the walking belt is properly tightened. **Make sure to adjust the walking belt in small increments and to observe the walking belt for a minute after each adjustment.**



- c. Your treadmill features a walking belt coated with high-performance lubricant. **IMPORTANT: Never apply silicone spray or other substances to the walking belt or the walking platform unless instructed to do so by an authorized service representative. Such substances may deteriorate the walking belt and cause excessive wear.** If you suspect that the walking belt needs more lubricant, see the front cover of this manual.
- d. If the walking belt still slows when walked on, see the front cover of this manual.

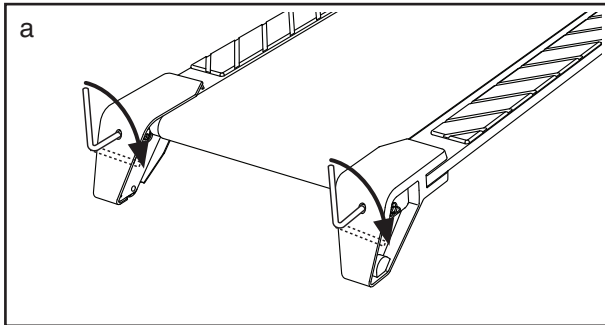
SYMPTOM: The walking belt is not centered between the foot rails

- a. Fold the treadmill into the storage position (see HOW TO FOLD AND MOVE THE TREADMILL on page 24). Next, see assembly step 13 on page 13, and make sure that the Belt Guides (38) are properly installed as described.
- b. Remove the key and **UNPLUG THE POWER CORD**. **If the walking belt has shifted to the left,** use the hex key to turn the left idler roller screw clockwise 1/2 of a turn; **if the walking belt has shifted to the right,** turn the left idler roller screw counterclockwise 1/2 of a turn. Be careful not to overtighten the walking belt. Plug in the power cord, insert the key, and start the walking belt at 1 mph. Walk on the treadmill and observe the walking belt. Repeat until the walking belt is centered. **Make sure to adjust the walking belt in small increments and to observe the walking belt for a minute after each adjustment.**



SYMPTOM: The walking belt slips when walked on

- a. First, remove the key and **UNPLUG THE POWER CORD**. Using the hex key, turn both idler roller screws clockwise, 1/4 of a turn. When the walking belt is correctly tightened, you should be able to lift each edge of the walking belt 2 to 3 in. (5 to 7 cm) off the walking platform. Be careful to keep the walking belt centered. Plug in the power cord, insert the key, and start the walking belt at 1 mph. Walk on the treadmill and observe the walking belt. Repeat until the walking belt is properly tightened. **Make sure to adjust the walking belt in small increments and to observe the walking belt for a minute after each adjustment.**



EXERCISE GUIDELINES

⚠️ WARNING: Before beginning this or any exercise program, consult your physician. This is especially important for persons over age 35 or persons with pre-existing health problems.

The heart rate monitor is not a medical device. Various factors may affect the accuracy of heart rate readings. The heart rate monitor is intended only as an exercise aid in determining heart rate trends in general.

These guidelines will help you to plan your exercise program. For detailed exercise information, obtain a reputable book or consult your physician. Remember, proper nutrition and adequate rest are essential for successful results.

EXERCISE INTENSITY

Whether your goal is to burn fat or to strengthen your cardiovascular system, exercising at the proper intensity is the key to achieving results. You can use your heart rate as a guide to find the proper intensity level. The chart below shows recommended heart rates for fat burning and aerobic exercise.

165	155	145	140	130	125	115	❤️
145	138	130	125	118	110	103	❤️
125	120	115	110	105	95	90	❤️
<hr/>							
20	30	40	50	60	70	80	

To find the proper intensity level, find your age at the bottom of the chart (ages are rounded off to the nearest ten years). The three numbers listed above your age define your "training zone." The lowest number is the heart rate for fat burning, the middle number is the heart rate for maximum fat burning, and the highest number is the heart rate for aerobic exercise.

Burning Fat—To burn fat effectively, you must exercise at a low intensity level for a sustained period of time. During the first few minutes of exercise, your body uses carbohydrate calories for energy. Only after the first few minutes of exercise does your body begin to use stored fat calories for energy. If your goal is to burn fat, adjust the intensity of your exercise until your heart rate is near the lowest number in your training zone. For maximum fat burning, exercise with your heart rate near the middle number in your training zone.

Aerobic Exercise—If your goal is to strengthen your cardiovascular system, you must perform aerobic exercise, which is activity that requires large amounts of oxygen for prolonged periods of time. For aerobic exercise, adjust the intensity of your exercise until your heart rate is near the highest number in your training zone.

WORKOUT GUIDELINES

Warming Up—Start with 5 to 10 minutes of stretching and light exercise. A warm-up increases your body temperature, heart rate, and circulation in preparation for exercise.

Training Zone Exercise—Exercise for 20 to 30 minutes with your heart rate in your training zone. (During the first few weeks of your exercise program, do not keep your heart rate in your training zone for longer than 20 minutes.) Breathe regularly and deeply as you exercise; never hold your breath.

Cooling Down—Finish with 5 to 10 minutes of stretching. Stretching increases the flexibility of your muscles and helps to prevent post-exercise problems.

EXERCISE FREQUENCY

To maintain or improve your condition, complete three workouts each week, with at least one day of rest between workouts. After a few months of regular exercise, you may complete up to five workouts each week, if desired. Remember, the key to success is to make exercise a regular and enjoyable part of your everyday life.

SUGGESTED STRETCHES

The correct form for several basic stretches is shown at the right. Move slowly as you stretch—never bounce.

1. Toe Touch Stretch

Stand with your knees bent slightly and slowly bend forward from your hips. Allow your back and shoulders to relax as you reach down toward your toes as far as possible. Hold for 15 counts, then relax. Repeat 3 times. Stretches: Hamstrings, back of knees and back.

2. Hamstring Stretch

Sit with one leg extended. Bring the sole of the opposite foot toward you and rest it against the inner thigh of your extended leg. Reach toward your toes as far as possible. Hold for 15 counts, then relax. Repeat 3 times for each leg. Stretches: Hamstrings, lower back and groin.

3. Calf/Achilles Stretch

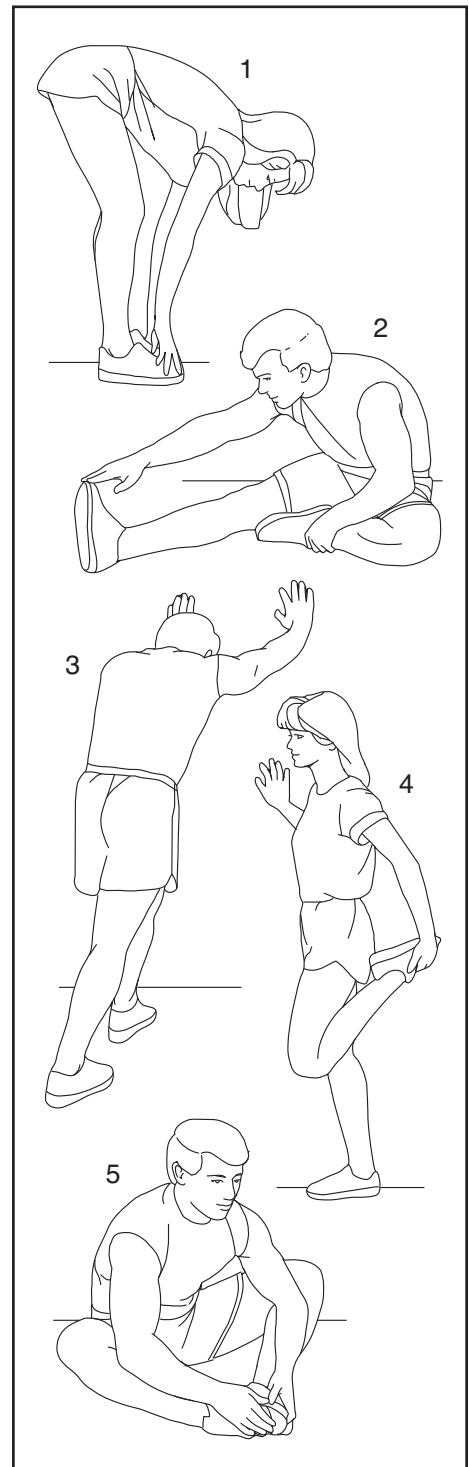
With one leg in front of the other, reach forward and place your hands against a wall. Keep your back leg straight and your back foot flat on the floor. Bend your front leg, lean forward and move your hips toward the wall. Hold for 15 counts, then relax. Repeat 3 times for each leg. To cause further stretching of the achilles tendons, bend your back leg as well. Stretches: Calves, achilles tendons and ankles.

4. Quadriceps Stretch

With one hand against a wall for balance, reach back and grasp one foot with your other hand. Bring your heel as close to your buttocks as possible. Hold for 15 counts, then relax. Repeat 3 times for each leg. Stretches: Quadriceps and hip muscles.

5. Inner Thigh Stretch

Sit with the soles of your feet together and your knees outward. Pull your feet toward your groin area as far as possible. Hold for 15 counts, then relax. Repeat 3 times. Stretches: Quadriceps and hip muscles.



NOTES

PART LIST

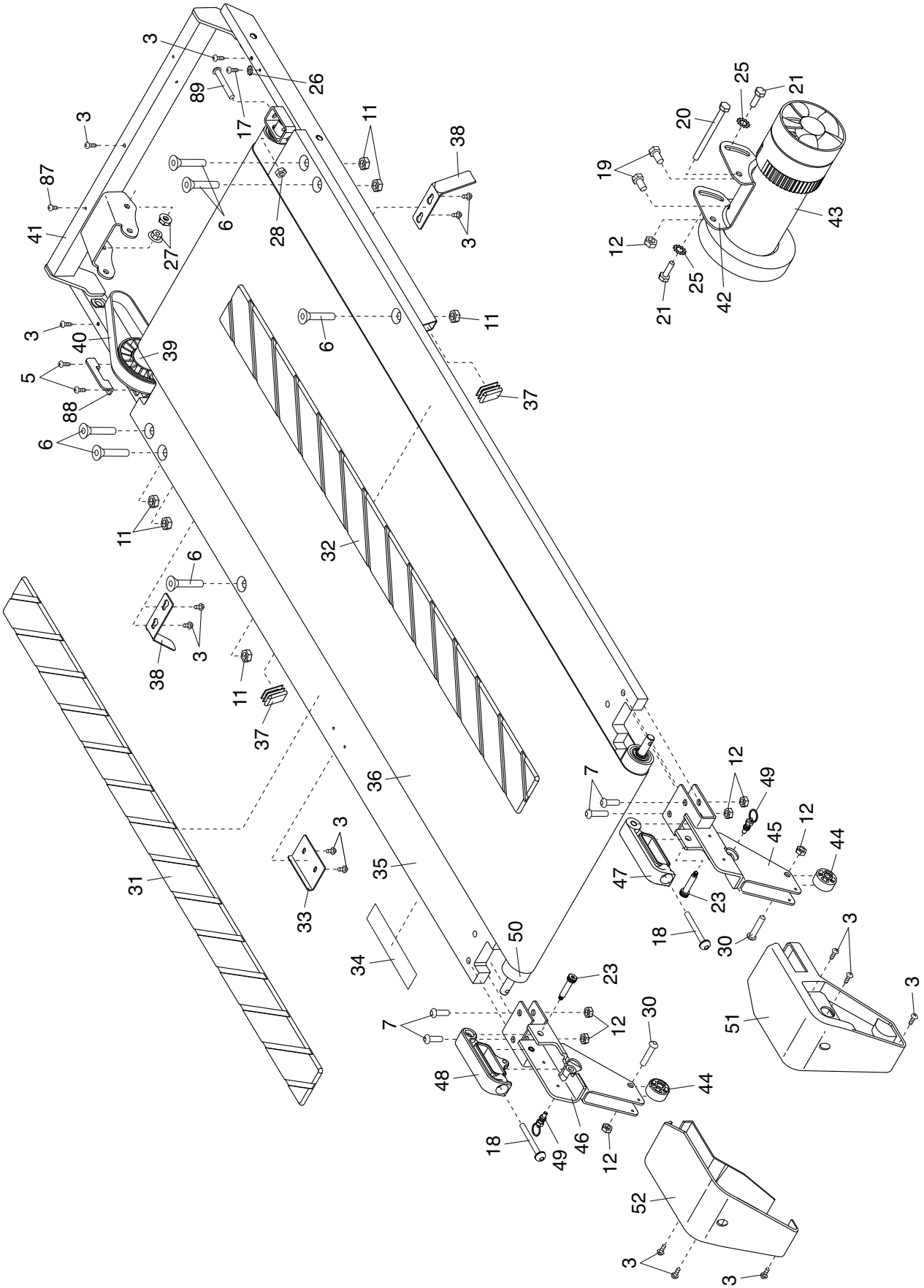
Model No. PFTL29619.2 R1220A

Key No.	Qty.	Description	Key No.	Qty.	Description
1	4	M10 x 75mm Screw	47	1	Right Roller Bracket
2	4	M10 x 45mm Screw	48	1	Left Roller Bracket
3	36	M4.2 x 19mm Screw	49	2	Roller Bracket Pin
4	2	#10 x 1" Screw	50	1	Idler Roller
5	35	M4.2 x 13mm Screw	51	1	Right Foot Cover
6	6	M10 x 70mm Bolt	52	1	Left Foot Cover
7	4	M8 x 38mm Bolt	53	1	Hood Cover
8	4	M8 x 19mm Screw	54	1	Hood
9	4	M8 x 41mm Screw	55	1	Controller
10	2	M10 Washer	56	3	Hood Post
11	6	M10 Nut	57	1	Power Cord
12	7	M8 Nut	58	1	Power Cord Grommet
13	4	M10 Star Washer	59	1	Power Switch
14	4	M10 Black Star Washer	60	2	Grommet
15	6	M4.2 x 19mm Tek Screw	61	1	Belly Pan
16	5	Hood Clip	62	1	Left Handrail Top
17	3	M4.2 x 10mm Screw	63	1	Right Handrail Top
18	3	M6 x 60mm Screw	64	1	Left Handrail Bottom
19	2	1/4" Motor Screw	65	1	Right Handrail Bottom
20	1	M8 x 102mm Bolt	66	1	Handrail
21	2	M8 x 20mm Screw	67	1	Upright Wire
22	2	3/8" x 2" Bolt	68	1	Storage Latch
23	2	M6 x 26mm Screw	69	1	Left Upright
24	2	M10 x 95mm Screw	70	1	Right Upright
25	2	M8.4 Star Washer	71	2	Frame Spacer
26	3	M4.2 Star Washer	72	2	Base Leg Cap
27	2	M8 Flange Nut	73	1	Left Base Leg
28	1	M6 Nut	74	1	Right Base Leg
29	2	3/8" Nut	75	1	Front Base Crossbar
30	2	M8 x 36mm Bolt	76	1	Rear Base Crossbar
31	1	Left Foot Rail Pad	77	2	Base Foot
32	1	Right Foot Rail Pad	78	2	Thin Base Pad
33	1	Latch Plate	79	2	Upright Sleeve
34	1	Warning Decal	80	2	Caution Decal
35	1	Walking Platform	81	2	Wheel
36	1	Walking Belt	82	1	Console
37	2	Frame Cap	83	1	Key/Clip
38	2	Belt Guide	84	1	Console Base
39	1	Drive Roller/Pulley	85	1	Console Bottom
40	1	Motor Belt	86	1	Wire Tie
41	1	Frame	87	1	4mm x 13mm Screw
42	1	Motor Bracket	88	1	Drive Roller Bracket
43	1	Drive Motor	89	1	M6 x 65mm Bolt
44	2	Rear Wheel	90	2	Base Pad
45	1	Right Rear Foot	*	-	User's Manual
46	1	Left Rear Foot			

Note: Specifications are subject to change without notice. For information about ordering replacement parts, see the back cover of this manual. *These parts are not illustrated.

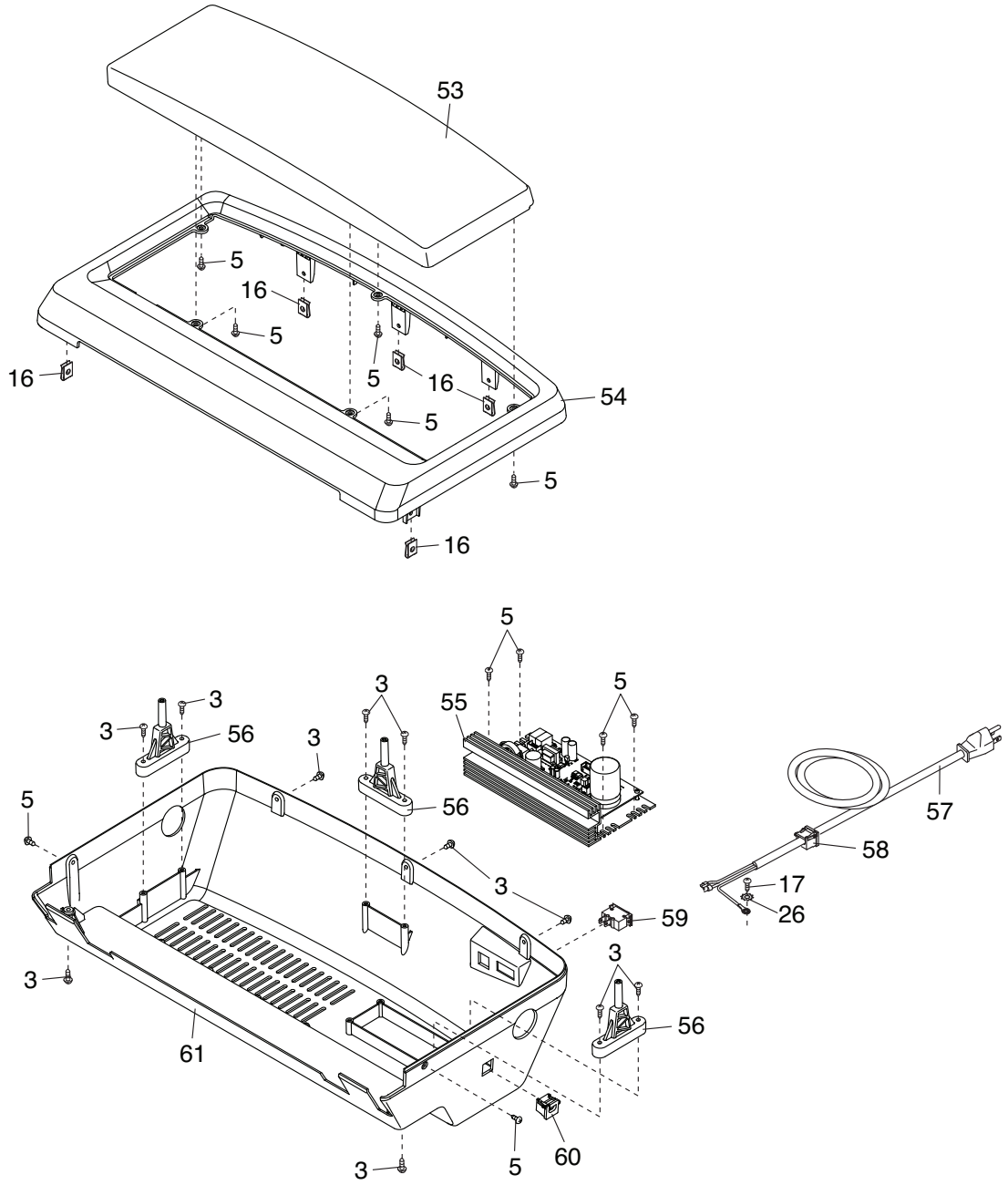
EXPLODED DRAWING A

Model No. PFTL29619.2 R1220A



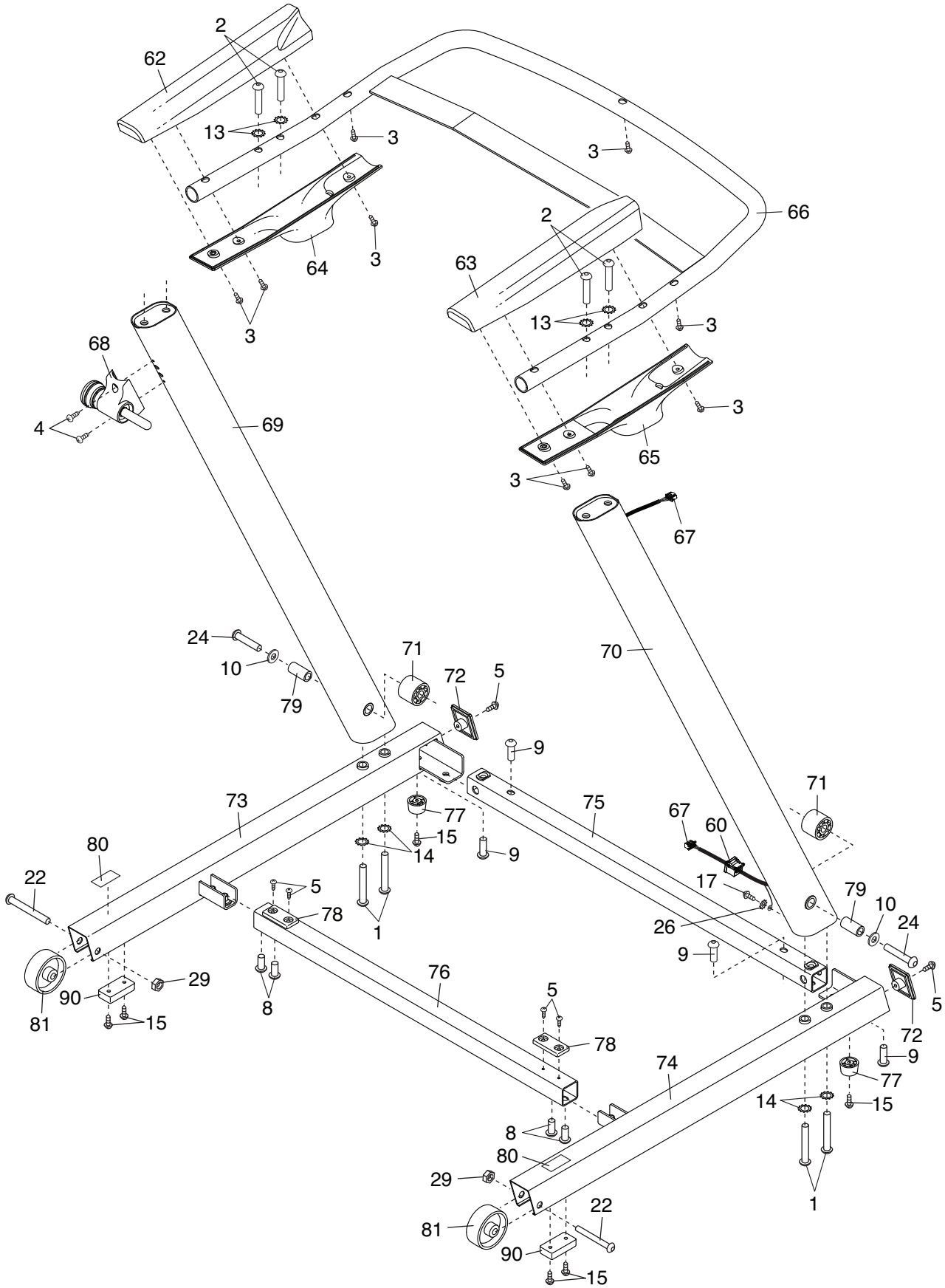
EXPLODED DRAWING B

Model No. PFTL29619.2 R1220A



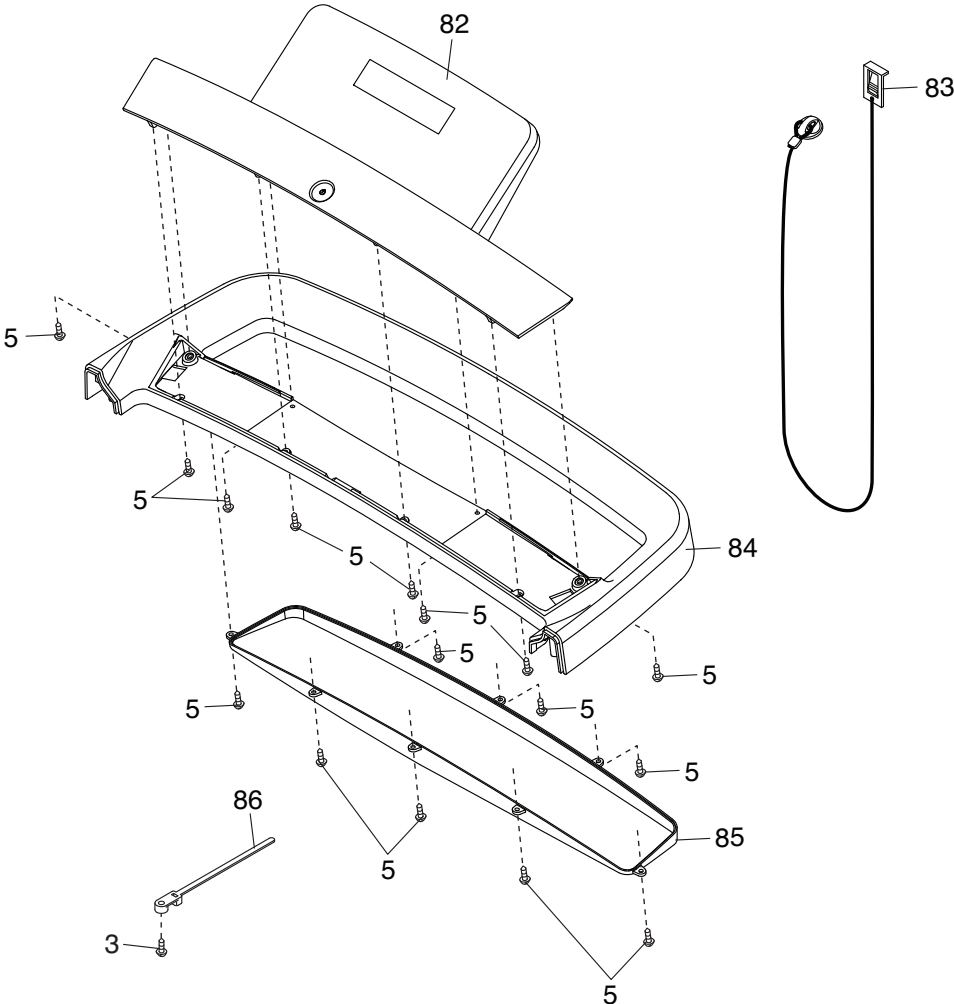
EXPLODED DRAWING C

Model No. PFTL29619.2 R1220A



EXPLODED DRAWING D

Model No. PFTL29619.2 R1220A



ORDERING REPLACEMENT PARTS

To order replacement parts, please see the front cover of this manual. To help us assist you, be prepared to provide the following information when contacting us:

- the model number and serial number of the product (see the front cover of this manual)
- the name of the product (see the front cover of this manual)
- the key number and description of the replacement part(s) (see the PART LIST and the EXPLODED DRAWING near the end of this manual)

LIMITED WARRANTY

IMPORTANT: To protect your fitness equipment with an extended service plan, see page 5.

ICON Health & Fitness, Inc. (ICON) warrants this product to be free from defects in workmanship and material, under normal use and service conditions. The drive motor is warranted for one (1) year from the date of purchase. Parts and labor are warranted for ninety (90) days from the date of purchase.

This warranty extends only to the original purchaser (customer) and is not transferrable. ICON's obligation under this warranty is limited to repairing or replacing, at ICON's option, the product through one of its authorized service providers. All repairs for which warranty claims are made must be preauthorized by ICON. If replacement parts are shipped while the product is under warranty, the customer will be responsible for a minimal handling charge. For in-home service, the customer may be responsible for a minimal trip charge. This warranty does not extend to freight damage to the product. This warranty will automatically be voided by the following conditions: (1) if the product is used as a store display model, (2) if the product is purchased or transported outside the USA, (3) if all instructions and warnings in this manual are not followed, (4) if the product is abused or improperly or abnormally used, or (5) if the product is used for commercial or rental purposes. No other warranty beyond that specifically set forth above is authorized by ICON.

ICON is not responsible or liable for the following damages: (1) indirect, special, or consequential damages arising out of or in connection with the use or performance of the product; (2) damages with respect to any economic loss, loss of property, loss of revenues or profits, loss of enjoyment or use, or costs of removal or installation; or (3) other consequential damages of any kind. Some states do not allow the exclusion or limitation of incidental or consequential damages. Accordingly, the above limitation may not apply to the customer.

The warranty extended hereunder is in lieu of any and all other warranties, and any implied warranties of merchantability or fitness for a particular purpose are limited in their scope and duration to the terms set forth herein. Some states do not allow limitations on how long an implied warranty lasts. Accordingly, the above limitation may not apply to the customer. This warranty provides specific legal rights; the customer may have other rights that vary from state to state.

For warranty service, please call the telephone number on the front cover of this manual. Please be prepared to provide the model number and serial number of the product (see the front cover of this manual).

ICON Health & Fitness, Inc., 1500 S. 1000 W., Logan, UT 84321-9813