



PORTABLE AIR CONDITIONER Owner's Manual.....	1 - 20
CLIMATISEUR PORTABLE Manuel du propriétaire.....	21 - 40
AIRE ACONDICIONADO PORTÁTIL Manual del propietario.....	41 - 60

MODEL • MODÈLE • MODELO
DPA080E3WDB-6
DPA080E3BDB-6
DPA080HE3WDB-6
DPA080HE3BDB-6

Welcome to the Danby family.

We are proud of our quality products and we believe in dependable service. We suggest that you read this owner's manual before plugging in your new appliance as it contains important operation information, safety information, troubleshooting, and maintenance tips to ensure the reliability and longevity of your appliance.

You are entitled to the warranty coverage as described in the owner's manual provided with your new appliance.

1. Please write down your appliance information below. **You must keep the original proof of purchase receipt to validate and receive warranty services.**
2. Register your product online and receive a **FREE 2 MONTH WARRANTY EXTENSION** after filling out a product survey, at www.danby.com/support/product-registration/

Model Number: _____

Serial Number: _____

Date of Purchase: _____

Need Help?

1. Read your Owner's Manual for installation help, troubleshooting, and maintenance assistance.
2. Visit www.Danby.com to access self-service tools, FAQs and much more by searching your model number in the search bar.
3. For the **Quickest Customer Service**, please fill out the web form at www.danby.com/support. Your submission will go directly to an expert on your particular appliance. Our average response times are between 20 minutes and 2 hours, during EST business hours.
4. Call **1-800-263-2629** - please note that during peak hours, hold times can exceed one hour.



Important Safety Information

READ AND FOLLOW ALL SAFETY INSTRUCTIONS



SAFETY REQUIREMENTS

DANGER: Risk of fire or explosion. Flammable refrigerant used. Do not damage the refrigerant circuit.

- Ensure that servicing is done by factory authorized service personnel, to minimize product damage or safety issues.
- Consult repair manual or owner's guide before attempting to service this product. All safety precautions must be followed.
- Dispose of properly in accordance with federal or local regulations.
- Follow handling instructions carefully.
- Keep ventilation openings, in the appliance clear of obstruction.
- Do not use mechanical devices or other means to accelerate the defrosting process.
- Children should be supervised to ensure that they do not play with the appliance.
- Do not store or install the appliance near continuously operating ignition sources such as open flames or a gas stove.
- Do not operate near water or in a wet room.
- Do not pierce or burn.
- Be aware that refrigerants may not contain an odor.
- The appliance must be stored so as to prevent mechanical damage from occurring.

All wiring must comply with local and national codes and must be installed by a qualified electrician. Check the available power supply and resolve any wiring problems before installing and operating this appliance.

The rating plate located on the right side of the appliance just above the power cord contains electrical and other technical data.

This appliance is not intended for use by persons (including children) whose physical, sensory or mental capabilities may be different or reduced, or who lack experience or knowledge, unless such persons receive supervision or training to operate the appliance by a person responsible for their safety.

GROUNDING INSTRUCTIONS

This appliance must be grounded. Grounding reduces the risk of electrical shock by providing an escape wire for the electrical current.

This appliance has a cord that has a grounding wire with a 3-prong plug. The power cord must be plugged into an outlet that is properly grounded. If the outlet is a 2-prong wall outlet, it must be replaced with a properly grounded 3-prong wall outlet. The serial rating plate indicates the voltage and frequency the appliance is designed for.

WARNING - Improper use of the grounding plug can result in a risk of electric shock. Consult a qualified electrician or service agent if the grounding instructions are not completely understood, or if doubt exists as to whether the appliance is properly grounded.

Do not connect your appliance to extension cords or together with another appliance in the same wall outlet. Do not splice the power cord. Do not under any circumstances cut or remove the third ground prong from the power cord. Do not use extension cords or ungrounded (two prongs) adapters.

If the power supply cord is damaged, it must be replaced by the manufacturer, its service agent or similar qualified person in order to avoid hazard.



CAUTION: RISK OF FIRE

Flammable refrigerant used. When maintaining or disposing of the air conditioner, the refrigerant must not be allowed to vent into the open air.

SAVE THESE INSTRUCTIONS!



Important Safety Information

READ AND FOLLOW ALL SAFETY INSTRUCTIONS

Any person involved with working on the refrigerant circuit should hold a current, valid certificate from an industry accredited assessment authority which authorizes their competence to handle refrigerants safely in accordance with an industry recognized assessment specification.

Servicing shall only be performed as recommended by the manufacturer. Maintenance and repair requiring the assistance of other skilled personnel shall be carried out under the supervision of the person competent in the use of flammable refrigerants.

When maintaining or disposing of the appliance the refrigerant must be recovered properly and should not be allowed to discharge to the air directly.

Information on servicing

- 1. Checks to the area:** Prior to beginning work on systems containing flammable refrigerants, safety checks are necessary to ensure that the risk of ignition is minimized. For repair to the refrigerating system, the following precautions shall be complied with prior to conducting work on the system.
- 2. Work procedure:** Work shall be undertaken under a controlled procedure so as to minimize the risk of a flammable gas or vapour being present while the work is being performed.
- 3. General work area:** All maintenance staff and others working in the local area shall be instructed on the nature of work being carried out. Work in confined spaces shall be avoided. The area around the work space shall be sectioned off. Ensure that the conditions within the work area have been made safe by removing all flammable material.
- 4. Checking for the presence of refrigerant:** The area shall be checked with an appropriate refrigerant detector prior to and during work to ensure the technician is aware of potentially flammable atmospheres. Ensure that the leak detection equipment being used is suitable for use with flammable refrigerants, i.e. non-sparking, adequately sealed and intrinsically safe.
- 5. Presence of fire extinguisher:** If any hot work is to be conducted on the refrigeration equipment or any associated parts, appropriate fire extinguishing equipment shall be available to hand. Have a dry powder or CO₂ fire extinguisher adjacent to the work area.
- 6. No ignition sources:** No person carrying out work in relation to a refrigeration system which involves exposing any pipe work that contains or has contained flammable refrigerant shall use any sources of ignition in such a manner that it may lead to risk of fire or explosion. All possible ignition sources including cigarette smoking, should be kept sufficiently far away from the site of installation, repairing, removing and disposal during which flammable refrigerant can possibly be released to the surrounding space. Prior to work taking place, the area around the equipment is to be surveyed to make sure there are no flammable hazards or ignition risks. No smoking signs shall be displayed.
- 7. Ventilated area:** Ensure that the area is in the open or that it is adequately ventilated before breaking into the system or conducting any hot work. A degree of ventilation shall continue during the period that the work is carried out. The ventilation should safely disperse any released refrigerant and preferably expel it externally into the atmosphere.
- 8. Checks to the refrigeration equipment:** Where electrical components are being changed, they shall be fit for the purpose and to the correct specification. At all times the manufacturer's maintenance and service guidelines shall be followed. If in doubt consult the manufacturer's technical department for assistance.



Important Safety Information

READ AND FOLLOW ALL SAFETY INSTRUCTIONS

The following checks shall be applied to installations using flammable refrigerants:

- The charge size is in accordance with the room size within which the refrigerant containing parts are installed.
 - The ventilation machinery and outlets are operating adequately and are not obstructed.
 - If an indirect refrigerating circuit is being used, the secondary circuit shall be checked for the presence of refrigerant.
 - Marking to the equipment continues to be visible and legible. Markings and signs that become illegible must be corrected.
 - Refrigeration pipe or components are installed in a position where they are unlikely to be exposed to any substance which may corrode refrigerant containing components, unless the components are constructed of materials which are inherently resistant to being corroded or are suitable protected against being corroded.
9. **Checks to electrical devices:** Repair and maintenance to electrical components shall include initial safety checks and component inspection procedures. If a fault exists that could compromise safety, then no electrical supply shall be connected to the circuit until it is satisfactorily dealt with. If the fault cannot be corrected immediately but it is necessary to continue operation, an adequate temporary solution shall be used. This shall be reported to the owner of the equipment so all parties are advised.

Initial safety checks shall include:

- That capacitors are discharged. This shall be done in a safe manner to avoid possibility of sparking.
- That no live electrical components and wiring are exposed while charging, recovering or purging the system.
- That there is continuity of earth bonding.

Repairs to sealed components

1. During repairs to sealed components, all electrical supplies shall be disconnected from the equipment being worked upon prior to any removal of sealed covers, etc. If it is absolutely necessary to have an electrical supply to equipment during servicing then a permanently operating form of leak detection shall be located at the most critical point to warn of a potentially hazardous situation.
2. To ensure that by working on electrical components the casing is not altered in such a way that the level of protection is affected, particular attention shall be paid to the following:
 - Damage to cables, excessive number of connections, terminals not made to original specification, damage to seals, incorrect fitting of glands, etc.
 - Ensure the apparatus is mounted securely.
 - Ensure that seals or sealing materials have not degraded such that they no longer serve the purpose of preventing the ingress of flammable atmospheres. Replacement parts shall be in accordance with the manufacturer's specifications.

Note: The use of silicon sealant may inhibit the effectiveness of some types of leak detection equipment. Intrinsically safe components do not have to be isolated prior to working on them.

Repair to intrinsically safe components

Do not apply any permanent inductive or capacitance loads to the circuit without ensuring that this will not exceed the permissible voltage and current permitted for the equipment in use. Intrinsically safe components are the only types that can be worked on while live in the presence of a flammable atmosphere. The test apparatus shall be at the correct rating. Replace components only with parts specified by the manufacturer. Other parts may result in the ignition of refrigerant in the atmosphere from a leak.



Important Safety Information

READ AND FOLLOW ALL SAFETY INSTRUCTIONS

Cabling

Check that cabling will not be subject to wear, corrosion, excessive pressure, vibration, sharp edges or any other adverse environmental effects. The check shall also take into account the effects of aging or continual vibration from sources such as compressors or fans.

Detection of flammable refrigerants

Under no circumstances shall potential sources of ignition be used in the searching for or detection of refrigerant leaks. A halide torch or any other detector using a naked flame shall not be used.

Leak detection methods

The following leak detection methods are deemed acceptable for systems containing flammable refrigerants:

- Electronic leak detectors shall be used to detect flammable refrigerants but the sensitivity may not be adequate or may need recalibration. Detection equipment shall be calibrated in a refrigerant-free area. Ensure that the detector is not a potential source of ignition and is suitable for the refrigerant used.
- Leak detection equipment shall be set at a percentage of the LFL of the refrigerant and shall be calibrated to the refrigerant employed and the appropriate percentage of gas (25% maximum) is confirmed.
- Leak detection fluids are suitable for use with most refrigerants but the use of detergents containing chlorine shall be avoided as the chlorine may react with the refrigerant and corrode the copper or pipe-work.
- If a leak is suspected, all naked flames shall be removed or extinguished.
- If a leakage of refrigerant is found which requires brazing, all of the refrigerant shall be recovered from the system or isolated by means of shut off valves in a part of the system remote from the leak. Oxygen free nitrogen (OFN) shall then be purged through the system both before and during the brazing process.

Removal and evacuation

When breaking into the refrigerant circuit to make repairs or for any other purpose conventional procedures shall be used. However, it is important that the best practice is followed since flammability is a consideration. The following procedures shall be adhered to:

- Remove refrigerant.
- Purge the circuit with inert gas.
- Evacuate.
- Purge again with inert gas.
- Open the circuit by cutting or brazing.
- The refrigerant charge shall be recovered into the correct recovery cylinders. The system shall be flushed with OFN to render the unit safe. This process may need to be repeated several times. Compressed air or oxygen shall not be used for this task.
- Flushing shall be achieved by breaking the vacuum in the system with OFN and continuing to fill until the working pressure is achieved, then venting to atmosphere and finally pulling down to a vacuum. This process shall be repeated until no refrigerant is within the system. When the final OFN charge is used, the system shall be vented down to atmospheric pressure to enable work to take place. This operation is absolutely vital is brazing operations on the pipe-work are to take place.
- Ensure that the outlet for the vacuum pump is not close to any ignition sources and there is ventilation available.

Charging procedures

In addition to conventional charging procedures, the following requirements shall be followed:

- Ensure that contamination of different refrigerants does not occur when using charging equipment. Hoses or lines shall be as short as possible to minimize the amount of refrigerant contained in them.
- Cylinders shall be kept upright.
- Ensure that the refrigeration system is earthed prior to charging the system with refrigerant.
- Label the system when charging is complete, if not already labeled.
- Extreme care shall be taken not to overfill the refrigeration system.
- Prior to recharging the system it shall be pressure tested with OFN. The system shall be leak tested on completion of charging but prior to commissioning. A follow up leak test shall be carried out prior to leaving the site.



Important Safety Information

READ AND FOLLOW ALL SAFETY INSTRUCTIONS

Decommissioning

Before carrying out this procedure, it is essential that the technician is completely familiar with the equipment in all its detail. It is recommended good practice that all refrigerants are recovered safely. Prior to the task being carried out, an oil and refrigerant sample shall be taken in case analysis is required prior to re-use of reclaimed refrigerant. It is essential that electrical power is available before the task is commenced.

- A. Become familiar with the equipment and its operation.
- B. Isolate system electrically.
- C. Before attempting the procedure ensure that:
 - Mechanical handling equipment is available if required for handling refrigerant cylinders.
 - All personal protective equipment is available and being used correctly.
 - The recovery process is supervised at all times by a competent person.
 - Recovery equipment and cylinders conform to the appropriate standards.
- D. Pump down refrigerant system, if possible.
- E. If a vacuum is not possible, make a manifold so that refrigerant can be removed from various parts of the system.
- F. Make sure that cylinder is situated on the scales before recovery takes place.
- G. Start the recovery machine and operate in accordance with the manufacturer's instructions.
- H. Do not overfill cylinders. No more than 80% volume liquid charge.
- I. Do not exceed the maximum working pressure of the cylinder, even temporarily.
- J. When the cylinders have been filled correctly and the process is completed, make sure that the cylinders and the equipment are removed from the site promptly and all isolation valves on the equipment are closed off.
- K. Recovered refrigerant shall not be charged into another refrigeration system unless it has been cleaned and checked.

Labeling

Equipment shall be labeled stating that it has been decommissioned and emptied of refrigerant. The label shall be dated and signed. Ensure that there are labels on the equipment stating the equipment contains flammable refrigerant.

Recovery

When removing refrigerant from a system, either for servicing or decommissioning, it is recommended good practice that all refrigerants are removed safely.

When transferring refrigerant into cylinders, ensure that only appropriate refrigerant recovery cylinders are employed. Ensure that the correct number of cylinders for holding the total system charge are available. All cylinders to be used are designed for the recovered refrigerant and labeled for that refrigerant, i.e. special cylinders for the recovery of refrigerant. Cylinders shall be complete with pressure relief valve and associated shut-off valves in good working order. Empty recovery cylinders are evacuated and, if possible, cooled before recovery occurs.

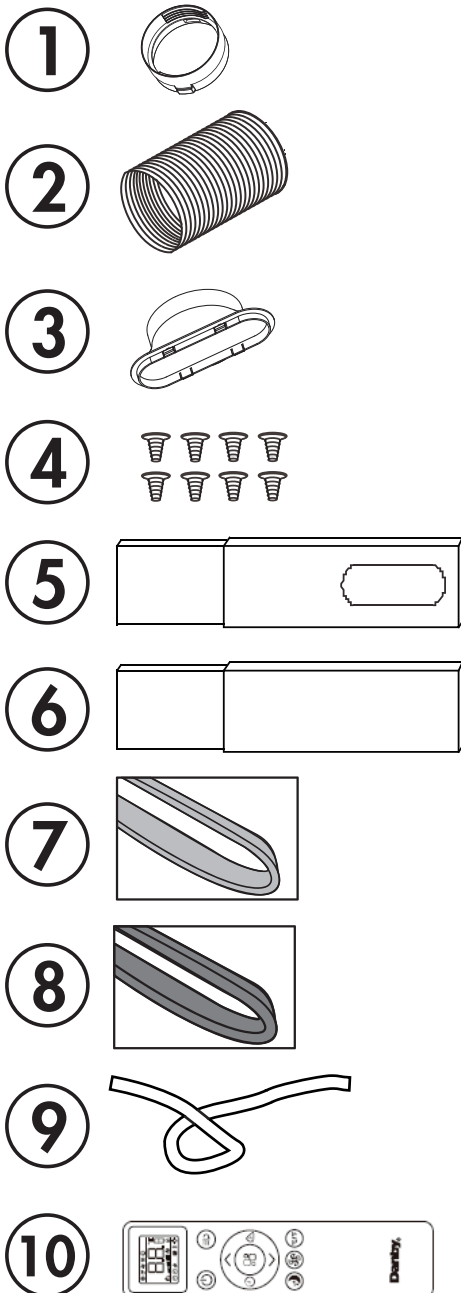
The recovery equipment shall be in good working order with a set of instructions concerning the equipment that is at hand and shall be suitable for the recovery of flammable refrigerants. In addition, a set of calibrated weighing scales shall be available and in good working order. Hoses shall be complete with leak-free disconnect couplings and in good condition. Before using the recovery machine, check that it is in satisfactory working order, has been properly maintained and that any associated electrical components are sealed to prevent ignition in the event of a refrigerant leak. Consult the manufacturer if in doubt.

The recovered refrigerant shall be returned to the refrigerant supplier in the correct recovery cylinder and the relevant waste transfer note shall be arranged. Do not mix refrigerants in recovery units and especially not in cylinders. If compressors or compressor oils are to be removed, ensure that they have been evacuated to an acceptable level to make certain that flammable refrigerant does not remain within the lubricant. The evacuation process shall be carried out prior to returning the compressor to the suppliers. Only electric heating to the compressor body shall be employed to accelerate this process. When oil is drained from a system, it shall be carried out safely.

INSTALLATION INSTRUCTIONS

ACCESSORIES

1. Air outlet adapter
2. Exhaust hose
3. Window slider adapter
4. 8 Bolts
5. Window slider A and B
6. Window slider B and C
7. Foam seal A and B (adhesive)
8. Foam seal C (non-adhesive)
9. Drain hose
10. Remote control and batteries



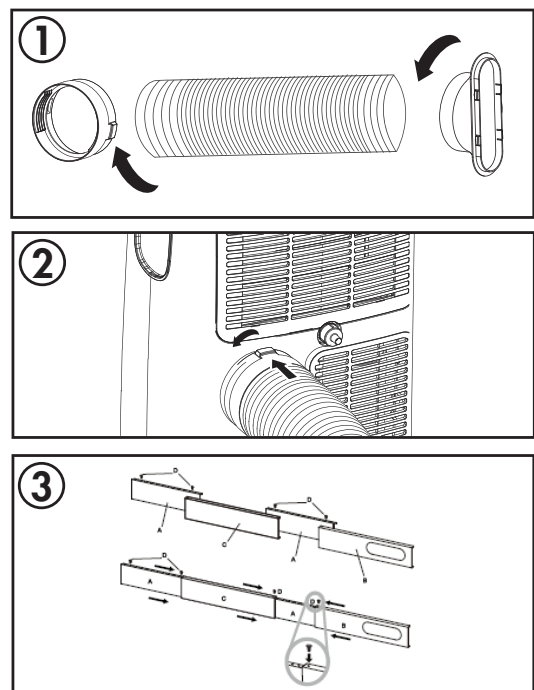
Important: The drain hose is only included on models that include heat mode.

REQUIRED TOOLS

1. Medium sized Phillips screwdriver
2. Tape measure or ruler
3. Knife or scissors
4. Saw (if window sliders need to be cut to size)

ASSEMBLING THE WINDOW KIT

1. Attach the air outlet adapter and the window slider adapter onto either end of the exhaust hose.
2. Insert the air outlet adapter into the back of the appliance by placing over the air exhaust and then pushing in the direction of the arrow to lock into place.
3. Measure the window opening where the window kit will be installed. Assemble as many sliders as necessary to fit the window. If the length of the window requires all three sliders, use two bolts to fasten the sliders at the correct length. If the window opening is less than the minimum length of a single slider, use the slider that has the hole in it and cut it to the correct length. Make sure not to cut the end that has the hole as this is necessary to attach the exhaust hose adapter.



INSTALLATION INSTRUCTIONS

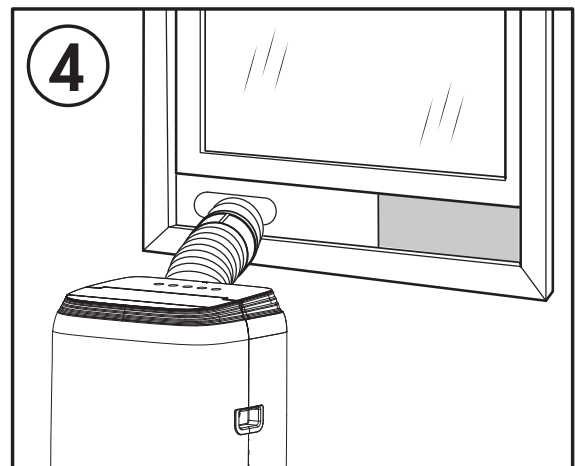
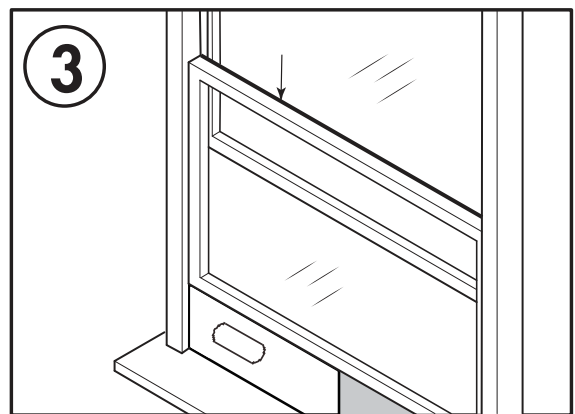
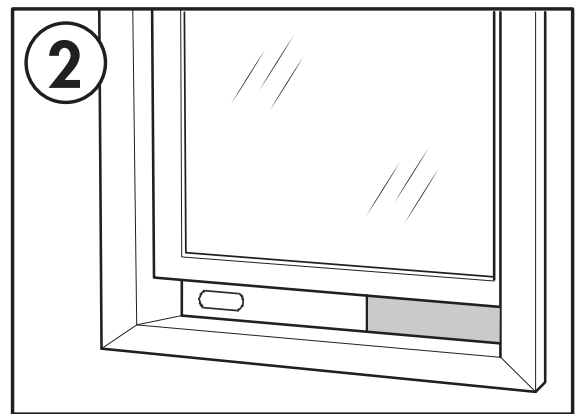
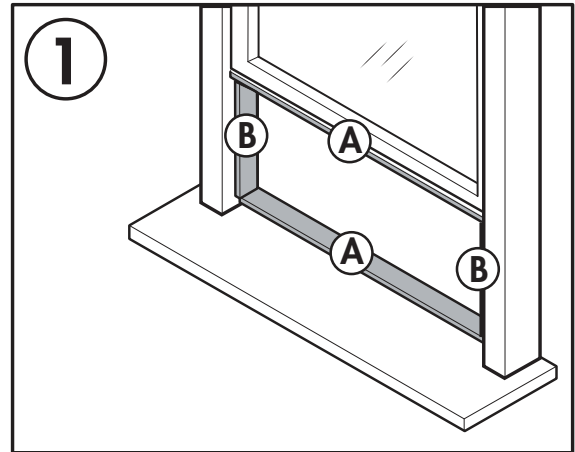
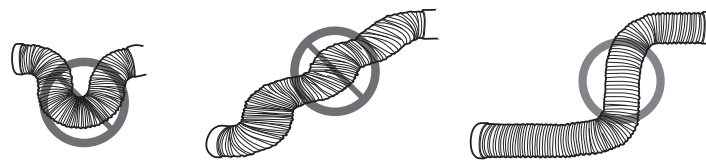
INSTALLING THE WINDOW KIT

The window kit can be used in either a hung window or a sliding window application. The images at the right are for a hung window. The steps for a sliding window are the same.

1. Cut the adhesive foam seals A and B to the correct length for the window. Attach them to the window sash and frame as shown.
2. Insert the assembled window slider kit into the window opening.
3. Cut the non-adhesive foam seal C to match the width of the window. Insert the foam seal between the glass and the window frame to prevent air and insects from getting into the room.
4. Attach the window slider adapter to the hole in the window slider kit.

Note: It may be easier to attach the window slider adapter to the window slider kit before placing the kit in the window.

Note: Do not over extend or bend the hose as this will impede air flow.



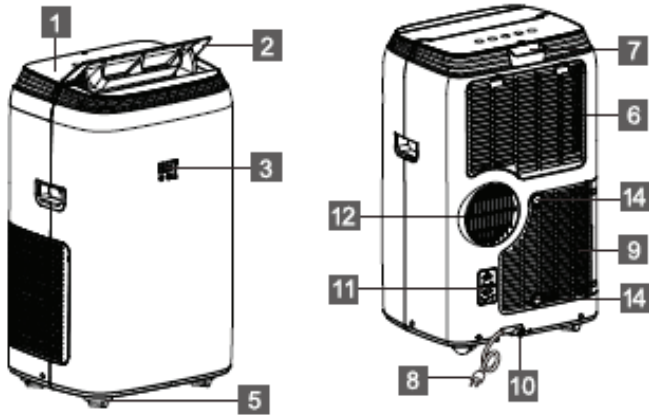
IMPORTANT WARNING

Do not leave this appliance unattended in a space where people or animals who cannot react to a malfunction are located. A malfunction such as the exhaust hose becoming dislocated, can cause extreme overheating or death in an enclosed, unattended space.

OPERATING INSTRUCTIONS

FEATURES

1. Control panel
2. Louver
3. Display
4. Handle (both sides)
5. Casters
6. Air intake
7. Remote control holder
8. Power cord
9. Intake grille
10. Condenser drain
11. Plug fixer
12. Air outlet grille



LOCATION

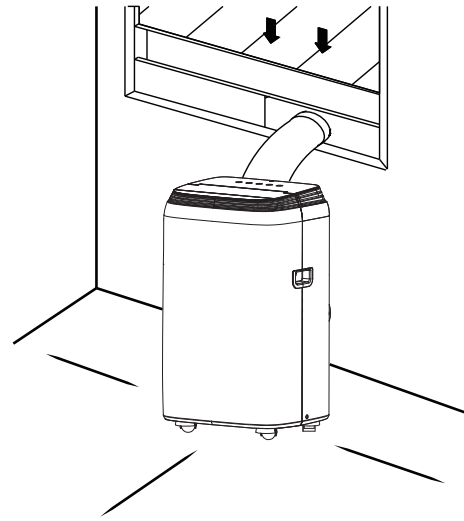
Place the air conditioner on a smooth, level floor that is strong enough to support it and all included accessories.

Make sure the appliance is level to minimize noise and vibration.

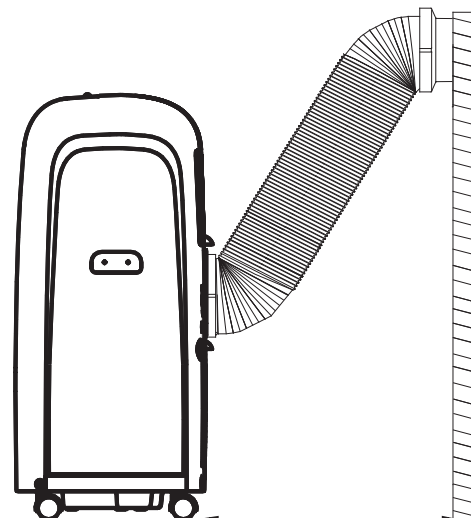
The appliance must be installed near a grounded receptacle and the overflow drain outlet on the rear of the appliance must be accessible.

Do not cover air inlets or outlets or the remote control receiver on the control panel.

The appliance requires 45 cm (17.7 inches) of clearance on the front and sides.



The appliance requires at least 50 cm (20 inches) of clearance on the back.

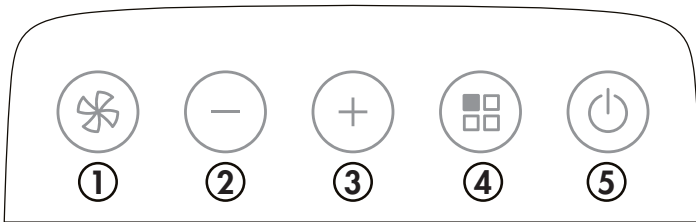


OPERATING INSTRUCTIONS

CONTROL PANEL

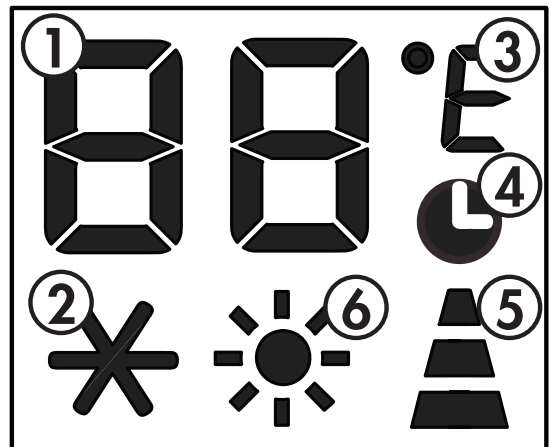
1. Fan button: Used to set the fan speed; low, medium, high or auto.
2. Decrease button: Used to decrease the set temperature.
3. Increase button: Used to increase the set temperature.
4. Mode button: Used to choose the mode; cool, heat, fan or dry.
5. Power button: Used to turn the appliance on or off.

Note: Certain functions can only be accessed through the remote control.



DISPLAY PANEL

1. Temperature, time and icon display
2. Cool mode indicator
3. Temperature scale indicator
4. Timer indicator
5. Fan speed indicator
 - Low fan is indicated by one bar.
 - Medium fan is indicated by two bars.
 - High fan is indicated by three bars.
 - Auto fan speed is indicated by cycling bars.
6. Heat mode indicator (not available on all models)



OPERATING INSTRUCTIONS

OPERATING MODES

Cool Mode

- Press the mode button until the snowflake icon appears on the display.
- Use the increase and decrease buttons to choose the desired temperature.
- Use the fan button to choose the desired fan speed.
- The temperature can be set within a range of 18 - 32°C (64 - 90°F).
- The exhaust hose should be installed during cool mode to ensure the best results.

Dry Mode

- Press the mode button until the "dh" symbol appears on the display.
- The fan speed will be set to auto.
- The exhaust hose should be installed during dry mode to ensure the best results.
- It may be necessary to install the continuous drain hose during dry mode to remove excess water.

OPERATING MODES

Fan Mode

- Press the mode button until the fan icon appears on the display.
- Press the fan button to choose the desired fan speed: low, medium or high.
- The exhaust hose does not need to be installed during fan mode.
- Fan mode can be used to run the fan without engaging the cooling, heating or dehumidifying functions.

Heat Mode

- Press the mode button until the sun icon appears on the display.
- Use the increase and decrease buttons to choose the desired temperature.
- Press the fan button to choose the desired fan speed.
- The temperature can be set within a range of 13 - 27°C (55 - 81°F).
- The exhaust hose should be installed during heat mode to ensure the best results.
- It may be necessary to install the continuous drain hose during heat mode to remove excess water.
- Heat mode is not available on all models.

OPERATING INSTRUCTIONS

TIMER

The timer function can be used to turn the appliance on or off after a period of time to conserve energy.

To set the timer to turn the appliance off:

1. While the appliance is running, press the timer button. The time display will flash.
2. Press the timer button to choose the number of hours before the appliance will turn off.
3. Wait 5 seconds to confirm the setting. The timer icon will illuminate.

To set the timer to turn the appliance on:

1. Turn the appliance on and choose the desired mode and settings. Turn the appliance off.
2. While the appliance is turned off, press the timer button. The time display will flash.
3. Press the timer button to choose the number of hours before the appliance will turn on.
4. Wait 5 seconds to confirm the setting. The timer icon will illuminate.

Notes: Turning the appliance on or off at any time or adjusting the timer setting to 0 hours will cancel the timer settings.

CHILD LOCK

The child lock can be activated by pressing the temperature control buttons on the remote control at the same time for 3 seconds. The buttons on the remote control cannot be used while the child lock is active. To deactivate the child lock, press and hold the temperature control buttons at the same time for 3 seconds.

The child lock can only be activated or deactivated using the remote control.

OPERATING INSTRUCTIONS

SLEEP

The sleep feature can be used to conserve energy during sleeping hours. This feature can be used during cool and heat mode.

When selected in cool mode, the set temperature will increase by 1 degree per hour for 2 hours. The appliance will hold the new set temperature for 6 hours before automatically returning to normal operation.

When selected in heat mode, the set temperature will decrease by 1 degree per hour for 3 hours. The appliance will hold the new set temperature for 5 hours before automatically returning to normal operation.

The sleep feature can only be activated with the remote control and can be canceled at any time by pressing the sleep button.

FOLLOW ME

The follow me feature can only be activated from the remote control.

The remote control has a thermostat inside of it. Keep the remote control with you and the air conditioner will automatically adjust the set temperature based on the ambient temperature at your location.

The maximum distance for the follow me feature is 8 meters (26 feet). This feature is available in cool and auto modes.

To activate follow me, press the turbo button and then press the temperature control buttons until the follow me icon appears on the display and then press the turbo button to confirm the selection.

The remote control display will show the actual ambient temperature at its location. The remote control will send a signal to the air conditioner every 20 minutes to update the set temperature. If the air conditioner does not receive a signal from the remote control during any 25 minute period, the follow me feature will deactivate.

To deactivate follow me, press the turbo button and then press the temperature control buttons until the follow me icon flashes on the display and then press the turbo button to confirm the selection.

OPERATING INSTRUCTIONS






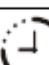
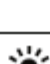

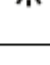
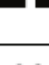


REMOTE CONTROL

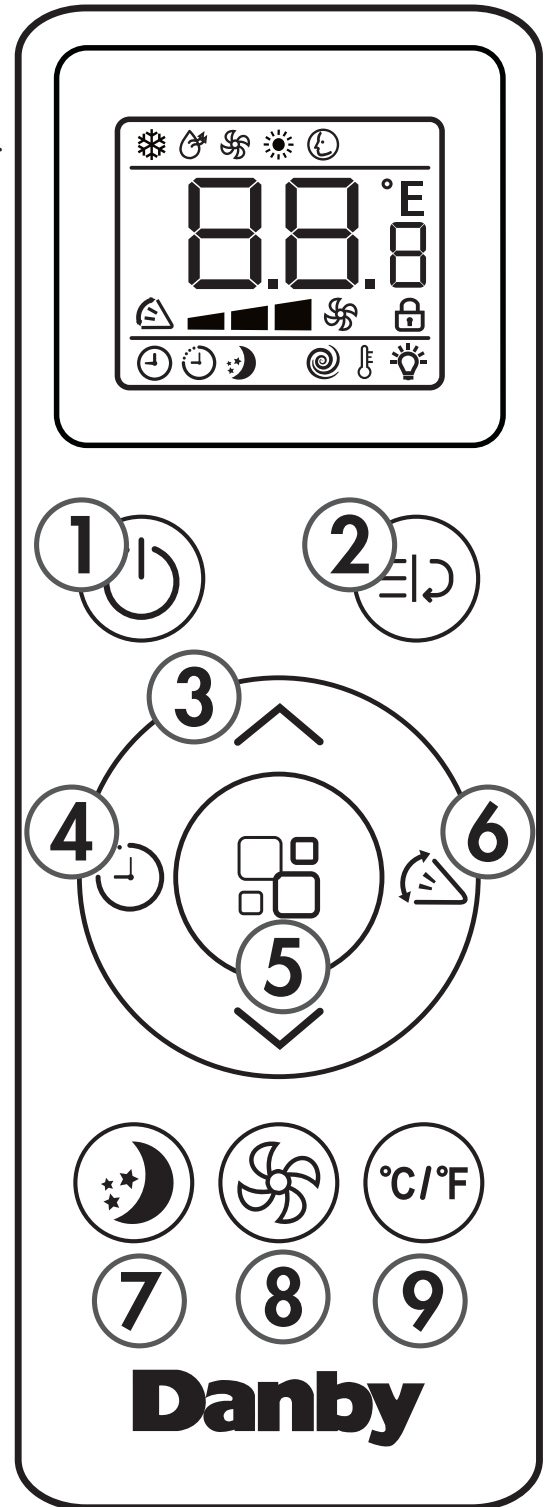
1. Power button: Used to turn the appliance on or off.
2. Turbo button: The turbo feature is not available on this model.
3. Temperature control buttons: Used to increase or decrease the set temperature.
4. Timer button: Used to set the timer function.
5. Mode button: Used to choose the mode.
6. Swing button: The swing feature is not available on this model.
7. Sleep button: Used to set the sleep function.
8. Fan button: Used to set the fan speed.
9. °C/°F button: Used to change the temperature scale between Celsius and Fahrenheit.

Note: The remote control will function within a range of 7 meters (23 feet) of the appliance.

REMOTE DISPLAY

The digital display on the remote control will show the below symbols. Please note that not all features may be available on your model. If you try to use a feature that your model does not support, the appliance will default to fan mode.

	COOL		SLEEP
	DRY		Timer ON
	FAN		Timer OFF
	HEAT		Fan speed
	SMART		Turbo
	SWING		Child lock



OPERATING INSTRUCTIONS

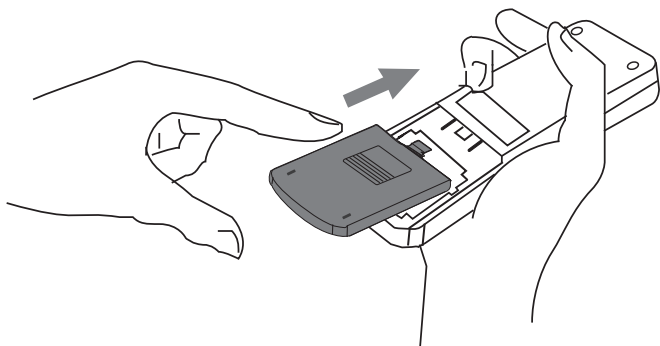
REPLACING THE REMOTE BATTERIES

This air conditioner comes with two AAA batteries. Place the batteries in the remote control before use.

1. Slide the back cover from the remote downward to expose the battery compartment.
2. Insert the batteries, ensure to match the (+) and (-) symbols on the ends of the batteries with the symbols inside the battery compartment.
3. Slide the battery cover back into place.

Notes:

- The air conditioner will not respond if curtains, doors or other materials block the signal from the remote control to the unit.
- Prevent any liquid from contact with the remote control. Do not expose the remote control to direct sunlight or heat.
- If the infrared signal receiver on the indoor unit is exposed to direct sunlight, the air conditioner may not function properly. Use curtains to prevent the sunlight from falling on the receiver.
- Do not mix old and new batteries or batteries of different types.
- Do not leave the batteries in the remote control if it is not going to be used for more than 2 months.



This equipment has been tested and found to comply with the limits for a Class B digital device, pursuant to Part 15 of the FCC Rules. These limits are designed to provide reasonable protection against harmful interference in a residential installation. This equipment generates, uses and can radiate radio frequency energy and, if not installed and used in accordance with the instructions, may cause harmful interference to radio communications. However, there is no guarantee that interference will not occur in a particular installation.

If this equipment does cause harmful interference to radio or television reception, which can be determined by turning the equipment off and on, the user is encouraged to try to correct the interference by one or more of the following measures:

1. Reorient or relocate the receiving antenna
2. Increase the separation between the equipment and receiver
3. Connect the equipment into an outlet on a circuit different from that to which the receiver is connected
4. Consult the dealer or an experienced radio/TV technician for help

Changes or modifications not approved by the party responsible for FCC compliance could void the user's authority to operate the equipment. This appliance complies with Part 15 of the FCC Rules.

Operation is subject to the following conditions:

1. This device may not cause harmful interference.
2. This device must accept any interference received, including interference that may cause undesired operation.

This device complies with Canadian CAN ICES-3 (B) / NMB-3 (B)

IMPORTANT

Do not dispose of batteries as unsorted municipal waste. Refer to local laws for proper disposal of batteries.

OPERATING INSTRUCTIONS

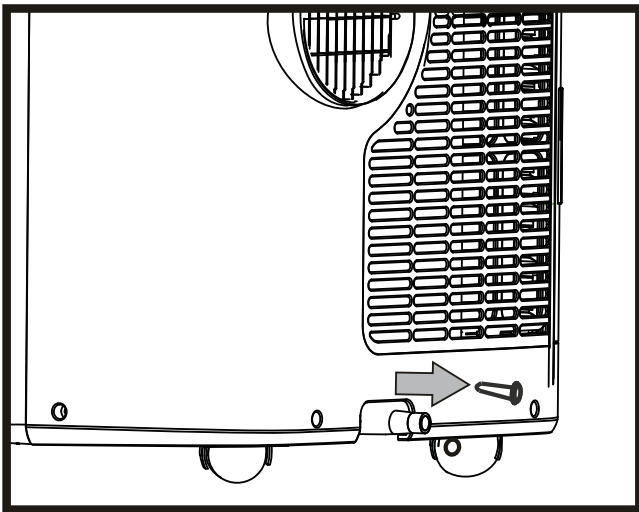
WATER DRAINAGE

When the internal drain pan becomes full the appliance will stop operating and the display will show error code "Ft". The air conditioning or dehumidifying action will stop but the fan may continue to operate.

There are two methods to drain water from the appliance:

1. Drain Plug

1. Turn the appliance off and unplug it from the power source.
2. Carefully move the appliance to a location where the water can be drained.
3. Remove the drain plug and allow the water to completely drain.
4. Replace the bottom drain plug, pressing firmly to ensure a tight fit and no leaks.
5. The "Ft" error symbol will disappear and the appliance will resume regular function once power is restored.



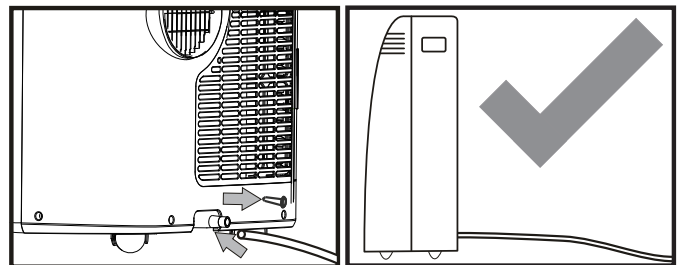
2. Continuous Drain

During the dry mode, you may wish to set up the continuous drain option so that the appliance will automatically drain collected water. Ensure that the appliance is turned off and unplugged from the power source before setting up the drain hose.

Remove the drain plug and attach the drain hose that was provided with the appliance. Ensure that there are no kinks or bends in the drain hose as this can stop water from draining.

Place the open end of the drain hose over the receptacle that the appliance will drain into; this could be a basement floor drain, a sink or similar.

Remember that there is no drain pump in this appliance, the continuous drain is activated by gravity only. Ensure that the drain hose goes straight down toward the floor from the drain connection. If the hose is not positioned directly downwards, water will not drain correctly.



CARE & MAINTENANCE

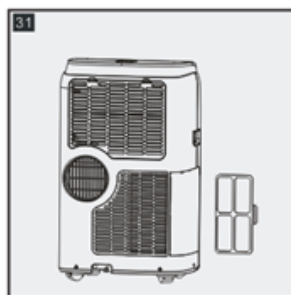
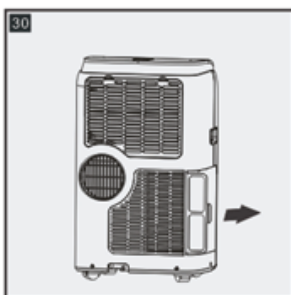
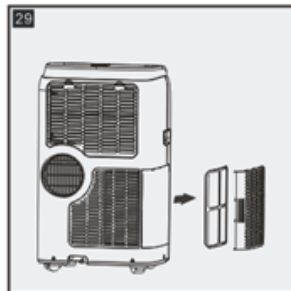
CLEANING

- Unplug the appliance before cleaning or servicing.
- Clean the cabinet with a lukewarm damp cloth and neutral detergent. Dry the cabinet with a lint-free dry cloth.
- Do not use gasoline, paint thinner or other chemicals to clean the appliance.
- Do not wash the appliance directly under a tap or using a hose. It may cause electrical damage.

AIR FILTER

The filters in this appliance that should be cleaned every two weeks to ensure efficient performance.

In households with animals, the air filters may need to be cleaned more often and the external grills may need to be wiped to prevent blocked air flow.



LONG-TERM STORAGE

1. Drain all water from the appliance.
2. Run the appliance on fan mode for half a day in a warm room to dry the inside of the appliance and prevent mold formation.
3. Turn off the appliance and unplug it, wrap the cord and bundle it with tape.
4. Remove the battery from the remote control.
5. Clean the air filters and reinstall them.
6. Store the appliance in a cool, dark place. Prolonged exposure to direct sunlight or extreme heat can shorten the lifespan of the appliance.

DISPOSAL

This appliance should not be treated as regular household waste. Check for local regulatory compliance regarding the approved and safe disposal of this appliance.

Do not dispose of batteries as unsorted municipal waste. Refer to local laws for proper disposal of batteries.

ERROR CODES

Lt - low temperature - the appliance will pause functioning if ice forms on the internal structure; the appliance will resume normal functioning automatically when the ice melts

PF - sensor failure - unplug the appliance for 5 minutes to reset the internal sensors; if the error code persists after plugging the appliance back in, please contact consumer care for servicing information

Ft - water tray is full - attach drain hose and drain excess water

FREQUENTLY ASKED QUESTIONS

Can I leave my AC in place through the winter?

This is not recommended.

What are the standard wattage and amps used?

Information pertaining to watts and amps can be found on the rating plate located on the side of the unit.

When should I use the exhaust hose?

The exhaust hose should be used in cool, dry, heat and auto modes. It is not required in fan mode.

Can I use an extension cord?

No, an extension cord may not be used.

Can I extend the length of the exhaust hose?

No. The unit was designed with the length of the hose in mind and has only been tested under those conditions. Instead use an additional fan to blow the cool air to other locations.

When should I use the drain hose?

The drain hose should be used in heat mode, dry mode or if using the continuous drain.

Where do I drain water from?

The water drains from the drainage port. If you are not using the continuous drain, the internal pan drains from the bottom outlet.

Odors

Odour is caused by the formation of mold or mildew on internal surfaces. This can happen when there is poor air circulation, a dirty filter or the air conditioner was not used for a period of time.

- Ensure the filter is clean.
- Run the unit on fan mode to remove any internal moisture.
- Check for any blockages in the drain lines and ensure there are no obstructions.

Please give your unit a hard reboot. Unplug it and plug it back in after 15-20 minutes. This allows the unit to warm and drain if there is any frost stopping draining and go back to factory settings. For odour in a unit, we suggest using an algacide tablet. You first need to turn the unit off, remove the lower grill and filter from the grill at the base of the unit, and then place the tablet in base.

TROUBLESHOOTING

Appliance will not operate

- Plug is not fully inserted into the wall outlet
- Blown fuse or circuit breaker

Insufficient cooling

- Air filter is dirty
- Blocked air flow
- Appliance size is too small for application

Noise

- The ground is not level
- The air filter is dirty or blocked
- Gurgling sounds are normal, this is coolant moving inside the appliance

Odors

- Formation of mold or mildew on internal wet surfaces
- Place an algacide tablet in the base pan; ensure the appliance is unplugged, remove the upper grille and filter, place the tablet in the middle water tray and replace the grille and filter

LIMITED "IN HOME" WARRANTY

This quality product is warranted to be free from manufacturer's defects in material and workmanship, provided that the unit is used under the normal operating conditions intended by the manufacturer.

This warranty is available only to the person to whom the unit was originally sold by Danby Products Limited (Canada) or Danby Products Inc. (U.S.A.) (hereafter "Danby") or by an authorized distributor of Danby, and is non-transferable.

TERMS OF WARRANTY

Plastic parts are warranted for thirty (30) days from the date of purchase, with no extensions provided.

First 24 months During the first **twenty four (24) months**, any functional parts of this product found to be defective, will be repaired or replaced, at warrantor's option, at no charge to the original purchaser.

To obtain service Contact the dealer where the unit was purchased, or contact the nearest authorized Danby service depot, where service must be performed by a qualified service technician. If service is performed on the unit by anyone other than an authorized service depot, all obligations of Danby under this warranty shall be void.

Boundaries of in-home service Danby reserves the right to limit the boundaries of "In Home Service" to the proximity of an authorized service depot. Any appliance requiring service outside the limited boundaries of "In Home Service", will be the consumer's responsibility to transport at their own expense to the original point of purchase or a service depot for repair. If the appliance is installed in a location that is **100 kilometers (62 miles)** or more from the nearest service center, it must be delivered to the nearest authorized Danby Service Depot by the purchaser.

Transportation charges to and from the service location are not protected by this warranty and are the responsibility of the purchaser.

Nothing within this warranty shall imply that Danby will be responsible or liable for any spoilage or damage to food or other contents of this appliance, whether due to any defect of the appliance, or its use, whether proper or improper.

EXCLUSIONS

Save as herein provided, by Danby, there are no other warranties, conditions, representations or guarantees, express or implied, made or intended by Danby or its authorized distributors and all other warranties, conditions, representations or guarantees, including any warranties, conditions, representations or guarantees under any Sale of Goods Act or like legislation or statute is hereby expressly excluded. Save as herein provided, **Danby shall not be responsible for any damages to persons or property, including the unit itself, howsoever caused or any consequential damages arising from the malfunction of the unit and by the purchase of the unit, the purchaser does hereby agree to indemnify and hold harmless Danby from any claim for damages to persons or property caused by the unit.**

GENERAL PROVISIONS

No warranty or insurance herein contained or set out shall apply when damage or repair is caused by any of the following:

- 1) Power failure.
- 2) Damage in transit or when moving the appliance.
- 3) Improper power supply such as low voltage, defective house wiring or inadequate fuses.
- 4) Accident, alteration, abuse or misuse of the appliance such as inadequate air circulation in the room or abnormal operating conditions (ie. extremely high or low room temperature).
- 5) Use for commercial or industrial purposes (ie. If the appliance is not installed in a domestic residence).
- 6) Fire, water damage, theft, war, riot, hostility, acts of God such as hurricanes, floods etc.
- 7) Service calls resulting in customer education.
- 8) Improper Installation (ie. Building-in of a free standing appliance or using an appliance outdoors that is not approved for outdoor application, including but not limited to: garages, patios, porches or anywhere that is not properly insulated or climate controlled).

Proof of purchase date will be required for warranty claims; retain bills of sale. In the event that warranty service is required, present the proof of purchase to our authorized service depot.

**Warranty Service
In Home**

Danby Products Limited
PO Box 1778, Guelph, Ontario, Canada N1H 6Z9
Telephone: (519) 837-0920 FAX: (519) 837-0449

**1-800-263-2629
04/17**

Danby Products Inc.
PO Box 669, Findlay, Ohio, U.S.A. 45840
Telephone: (419) 425-8627 FAX: (419) 425-8629

Bienvenue dans la famille Danby.

Nous sommes fiers de nos produits de qualité et nous croyons en un service fiable. Nous vous suggérons de lire ce manuel du propriétaire avant de brancher votre nouvel appareil car il contient des informations de fonctionnement importantes, des informations de sécurité, des conseils de dépannage et d'entretien pour assurer la fiabilité et la longévité de votre appareil.

Vous avez droit à la couverture de la garantie décrite dans le manuel du propriétaire fourni avec votre nouvel appareil.

1. Veuillez noter ci-dessous les informations relatives à votre appareil. Vous devez conserver la preuve d'achat originale pour valider et bénéficier des services de garantie.
2. Enregistrez votre produit en ligne et recevez une **PROLONGATION DE GARANTIE GRATUITE DE 2 MOIS** après avoir rempli une enquête sur les produits, à l'adresse www.danby.com/support/product-registration/

Numéro de modèle : _____

Numéro de série : _____

Date d'achat : _____

Besoin d'assistance?

1. Lisez votre manuel du propriétaire pour obtenir de l'aide à l'installation, au dépannage et à la maintenance.
2. Visitez www.Danby.com pour accéder aux outils en libre-service, aux FAQ et bien plus encore en recherchant votre numéro de modèle dans la barre de recherche.
3. Pour bénéficier du **service client le plus rapide**, veuillez remplir le formulaire Web à l'adresse www.danby.com/support. Votre soumission ira directement à un expert de votre appareil particulier. Nos temps de réponse moyens sont compris entre 20 minutes et 2 heures, pendant les heures ouvrables EST.
4. Composez le **1-800-263-2629** - veuillez noter que pendant les heures de pointe, les temps d'attente peuvent dépasser une heure.



Consignes de sécurité importantes

LIRE ET SUIVRE TOUTES LES INSTRUCTIONS DE SÉCURITÉ



EXIGENCES DE SÉCURITÉ

DANGER: Risque d'incendie ou d'explosion. Fluide frigorigène inflammable utilisé. Ne pas endommager le circuit de réfrigérant.

- Assurez-vous que les réparations sont effectuées par du personnel autorisé par l'usine, afin de minimiser les dommages au produit ou les problèmes de sécurité.
- Consultez le manuel de réparation ou le guide du propriétaire avant de tenter de réparer ce produit. Toutes les précautions de sécurité doivent être suivies.
- Éliminer correctement conformément aux réglementations fédérales ou locales.
- Suivez attentivement les instructions de manipulation.
- Veillez à ce que les ouvertures de ventilation de l'appareil ne soient pas obstruées.
- N'utilisez pas d'appareils mécaniques ou d'autres moyens pour accélérer le processus de dégivrage.
- Les enfants doivent être surveillés pour s'assurer qu'ils ne jouent pas avec l'appareil.
- Ne rangez pas et n'installez pas l'appareil à proximité de sources d'allumage fonctionnant en continu, telles que des flammes nues ou une cuisinière à gaz.
- Ne pas utiliser près de l'eau ou dans une pièce humide.
- Ne pas percer ou brûler.
- Sachez que les réfrigérants peuvent ne pas contenir d'odeur.
- L'appareil doit être rangé de manière à éviter tout dommage mécanique.

Tout le câblage doit être conforme aux codes locaux et nationaux et doit être installé par un électricien qualifié. Vérifiez l'alimentation disponible et résolvez tout problème de câblage avant d'installer et d'utiliser cet appareil.

La plaque signalétique située sur le côté droit de l'appareil, juste au-dessus du cordon d'alimentation, contient des données électriques et techniques.

Cet appareil n'est pas destiné à être utilisé par des personnes (y compris des enfants) dont les capacités physiques, sensorielles ou mentales peuvent être différentes ou réduites, ou qui manquent d'expérience ou de connaissances, à moins que ces personnes ne soient supervisées ou formées pour faire fonctionner l'appareil par une personne responsable de leur utilisation. sécurité.

INSTRUCTIONS DE MISE À LA TERRE

Cet appareil doit être mis à la terre. La mise à la terre réduit le risque de choc électrique en fournissant un fil d'échappement pour le courant électrique.

Cet appareil possède un cordon doté d'un fil de mise à la terre avec une fiche à 3 broches. Le cordon d'alimentation doit être branché sur une prise correctement mise à la terre. Si la sortie est une prise murale à 2 broches, elle doit être remplacée par une prise murale à 3 broches correctement mise à la terre. La plaque signalétique en série indique la tension et la fréquence auxquelles l'appareil est conçu.

AVERTISSEMENT - Une utilisation incorrecte de la fiche de mise à la terre peut entraîner un risque d'électrocution. Consultez un électricien qualifié ou un agent de service si les instructions de mise à la terre ne sont pas complètement comprises ou s'il existe un doute quant à savoir si l'appareil est correctement mis à la terre.

Ne branchez pas votre appareil à des rallonges ou avec un autre appareil dans la même prise murale. Ne pas épisser le cordon d'alimentation. Ne coupez ou retirez en aucun cas la troisième broche du cordon d'alimentation. N'utilisez pas de cordons de prolongement ou d'adaptateurs sans mise à la terre (deux broches).

Si le cordon d'alimentation est endommagé, il doit être remplacé par le fabricant, son agent de service ou une personne qualifiée similaire afin d'éviter tout risque.



ATTENTION: RISQUE D'INCENDIE

Fluide frigorigène inflammable utilisé. Lors de l'entretien ou de la mise au rebut du climatiseur, le réfrigérant ne doit pas pouvoir s'échapper à l'air libre.

GARDEZ CES INSTRUCTIONS!



Consignes de sécurité importantes

LIRE ET SUIVRE TOUTES LES INSTRUCTIONS DE SÉCURITÉ

Toute personne impliquée dans le travail sur le circuit de fluide frigorigène doit détenir un certificat en cours de validité, délivré par une autorité d'évaluation accréditée du secteur, attestant de sa compétence pour manipuler les fluides frigorigènes en toute sécurité, conformément à une spécification d'évaluation reconnue par l'industrie.

L'entretien ne doit être effectué que selon les recommandations du fabricant. L'entretien et les réparations nécessitant l'assistance d'un autre personnel qualifié doivent être effectués sous la supervision de la personne compétente pour l'utilisation de réfrigérants inflammables.

Lors de l'entretien ou de la mise au rebut de l'appareil, le réfrigérant doit être récupéré correctement et ne doit pas être autorisé à se décharger directement dans l'air.

Informations sur le service

- 1. Chèques à la région:** Avant de commencer à travailler sur des systèmes contenant des frigorigènes inflammables, des contrôles de sécurité sont nécessaires pour réduire au minimum le risque d'inflammation. Pour réparer le système de réfrigération, les précautions suivantes doivent être respectées avant de procéder à des travaux sur le système.
- 2. Procédure de travail:** Les travaux doivent être effectués selon une procédure contrôlée, de manière à minimiser le risque de présence de gaz ou de vapeurs inflammables pendant l'exécution des travaux.
- 3. Zone de travail générale:** Tout le personnel de maintenance et les autres personnes travaillant dans la zone locale doivent être informés de la nature des travaux effectués. Les travaux dans des espaces confinés doivent être évités. La zone autour de l'espace de travail doit être divisée. Assurez-vous que les conditions dans la zone de travail ont été sécurisées en retirant tout matériau inflammable.
- 4. Vérification de la présence de réfrigérant:** Les zones doivent être vérifiées avec un détecteur de réfrigérant approprié avant et pendant le travail pour s'assurer que le technicien est conscient des atmosphères potentiellement inflammables. Assurez-vous que l'équipement de détection des fuites utilisé convient aux fluides frigorigènes inflammables, c'est-à-dire qu'il ne produit pas d'étincelles, est correctement scellé et de sécurité intrinsèque.
- 5. Présence d'extincteur:** Si des travaux à chaud doivent être effectués sur l'équipement de réfrigération ou sur toute pièce associée, un équipement d'extinction d'incendie approprié doit être disponible. Avoir un extincteur à poudre sèche ou au CO2 adjacent à la zone de travail.
- 6. Aucune source d'inflammation:** Aucune personne effectuant des travaux en rapport avec un système de réfrigération impliquant l'exposition de tuyauteries contenant ou ayant contenu un réfrigérant inflammable ne doit utiliser une source d'inflammation de manière à entraîner un risque d'incendie ou d'explosion. Toutes les sources d'inflammation possibles, y compris le tabagisme, doivent être suffisamment éloignées du lieu d'installation, de réparation, de retrait et d'élimination, pendant lesquelles un réfrigérant inflammable peut éventuellement être rejeté dans l'espace environnant. Avant le début des travaux, la zone autour de l'équipement doit être inspectée pour s'assurer qu'il n'y a pas de danger d'inflammabilité ou de risque d'inflammation. Aucun signe de fumer ne doit être affiché.
- 7. Zone ventilée:** Assurez-vous que la zone est à l'air libre ou qu'elle est correctement ventilée avant de pénétrer dans le système ou d'effectuer des travaux à chaud. Une certaine ventilation doit être maintenue pendant la durée des travaux. La ventilation doit disperser en toute sécurité tout fluide réfrigérant libéré et de préférence l'expulser de l'extérieur vers l'atmosphère.
- 8. Contrôles à l'équipement de réfrigération:** Lorsque des composants électriques sont remplacés, ils doivent être adaptés à l'usage prévu et aux spécifications appropriées. Respectez à tout moment les directives du fabricant en matière d'entretien et de maintenance. En cas de doute, consultez le service technique du fabricant.



Consignes de sécurité importantes

LIRE ET SUIVRE TOUTES LES INSTRUCTIONS DE SÉCURITÉ

Les contrôles suivants doivent être appliqués aux installations utilisant des réfrigérants inflammables:

- La taille de la charge est conforme à la taille de la pièce dans laquelle les pièces contenant le réfrigérant sont installées.
- Les machines de ventilation et les sorties fonctionnent de manière adéquate et ne sont pas obstruées.
- Si un circuit de réfrigération indirect est utilisé, le circuit secondaire doit être vérifié pour la présence de réfrigérant.
- Le marquage sur l'équipement continue d'être visible et lisible. Les marques et les signes qui deviennent illisibles doivent être corrigés.
- Les tuyaux ou composants de réfrigération sont installés dans une position où ils ne risquent pas d'être exposés à une substance susceptible de corroder les composants contenant du réfrigérant, à moins que les composants ne soient construits avec des matériaux intrinsèquement résistants à la corrosion ou protégés de manière adéquate.

1. **Contrôles aux appareils électriques:** La réparation et la maintenance des composants électriques doivent inclure les contrôles de sécurité initiaux et les procédures d'inspection des composants. S'il existe un défaut susceptible de compromettre la sécurité, aucune alimentation électrique ne doit être connectée au circuit jusqu'à ce que le problème soit résolu. Si le défaut ne peut pas être corrigé immédiatement mais qu'il est nécessaire de poursuivre le fonctionnement, une solution temporaire adéquate doit être utilisée. Cela doit être signalé au propriétaire de l'équipement afin que toutes les parties soient informées.

Les contrôles de sécurité initiaux doivent inclure:

- Que les condensateurs sont déchargés. Ceci doit être fait de manière sûre pour éviter la possibilité d'étincelles.
- Qu'aucun composant ni câblage électrique sous tension ne soit exposé pendant le chargement, la récupération ou la purge du système.
- Qu'il existe une continuité de la mise à la terre.

Réparation de composants scellés

1. Lors de la réparation de composants scellés, toutes les alimentations électriques doivent être débranchées de l'équipement utilisé avant toute dépose de couvercles scellés, etc. S'il est absolument nécessaire de prévoir une alimentation électrique de l'équipement pendant l'entretien, une détection des fuites fonctionnant en permanence doit être situé au point le plus critique pour avertir d'une situation potentiellement dangereuse.
2. Afin de garantir qu'en manipulant des composants électriques, le boîtier ne soit pas modifié de telle sorte que le niveau de protection soit affecté, une attention particulière doit être accordée aux éléments suivants:
 - Dommages aux câbles, nombre excessif de connexions, bornes non conformes aux spécifications d'origine, dommages aux joints, mauvais montage des presse-étoupes, etc.
 - Assurez-vous que l'appareil est bien monté.
 - Assurez-vous que les joints ou les matériaux d'étanchéité ne se sont pas dégradés de telle sorte qu'ils ne servent plus à empêcher la pénétration d'atmosphères inflammables. Les pièces de rechange doivent être conformes aux spécifications du fabricant.

Remarque: l'utilisation d'un produit d'étanchéité à base de silicone peut nuire à l'efficacité de certains types d'équipement de détection de fuites. Les composants de sécurité intrinsèque ne doivent pas nécessairement être isolés avant de travailler dessus.

Réparation de composants à sécurité intrinsèque

N'appliquez aucune charge inductive ou capacitive permanente sur le circuit sans vous assurer que cela ne dépassera pas la tension et le courant autorisés pour l'équipement utilisé. Les composants à sécurité intrinsèque sont les seuls types sur lesquels on peut travailler tout en vivant dans une atmosphère inflammable. L'appareil d'essai doit avoir la cote correcte. Remplacez les composants uniquement par des pièces spécifiées par le fabricant. D'autres pièces peuvent provoquer l'inflammation de réfrigérant dans l'atmosphère par une fuite.



Consignes de sécurité importantes

LIRE ET SUIVRE TOUTES LES INSTRUCTIONS DE SÉCURITÉ

Le câblage

Vérifiez que le câblage ne sera pas soumis à l'usure, à la corrosion, à une pression excessive, aux vibrations, aux arêtes vives ou à tout autre effet néfaste sur l'environnement. La vérification doit également prendre en compte les effets du vieillissement ou des vibrations continues provenant de sources telles que les compresseurs ou les ventilateurs.

Détection de réfrigérants inflammables

En aucun cas, des sources d'inflammation potentielles ne doivent être utilisées pour rechercher ou détecter des fuites de réfrigérant. Une lampe à incandescence ou tout autre détecteur utilisant une flamme nue ne doit pas être utilisé.

Méthodes de détection de fuite

Les méthodes de détection des fuites suivantes sont jugées acceptables pour les systèmes contenant des réfrigérants inflammables:

- Des détecteurs de fuites électroniques doivent être utilisés pour détecter les réfrigérants inflammables, mais la sensibilité peut ne pas être adéquate ou nécessiter un réétalonnage. L'équipement de détection doit être étalonné dans une zone sans réfrigérant. Assurez-vous que le détecteur n'est pas une source potentielle d'inflammation et qu'il convient au réfrigérant utilisé.
- L'équipement de détection de fuites doit être réglé sur un pourcentage de la LF du réfrigérant et doit être calibré avec le réfrigérant utilisé et le pourcentage de gaz approprié (25% maximum) est confirmé.
- Les fluides de détection des fuites peuvent être utilisés avec la plupart des réfrigérants, mais l'utilisation de détergents contenant du chlore doit être évitée car le chlore peut réagir avec le réfrigérant et corroder le cuivre ou les tuyauteries.
- Si une fuite est suspectée, toutes les flammes nues doivent être supprimées ou éteintes.
- Si une fuite de réfrigérant nécessitant un brasage est détectée, tout le réfrigérant doit être récupéré du système ou isolé au moyen de vannes d'arrêt dans une partie du système éloignée de la fuite. L'azote libre d'oxygène (OFN) doit ensuite être purgé à travers le système avant et pendant le processus de brasage.

Enlèvement et évacuation

Lorsque vous pénétrez dans le circuit de fluide frigorigène pour effectuer des réparations ou à toute autre fin, vous devez utiliser des procédures classiques. Cependant, il est important que la meilleure pratique soit suivie car l'inflammabilité est une considération. Les procédures suivantes doivent être respectées:

- Retirer le réfrigérant.
- Purger le circuit avec du gaz inerte.
- Évacuer.
- Purger à nouveau avec un gaz inerte.
- Ouvrir le circuit en coupant ou en soudant.
- La charge de réfrigérant doit être récupérée dans les bonnes bouteilles de récupération. Le système doit être rincé avec OFN pour sécuriser l'unité. Ce processus peut avoir besoin d'être répété plusieurs fois. L'air comprimé ou l'oxygène ne doit pas être utilisé pour cette tâche.
- Le rinçage doit être réalisé en rompant le vide dans le système avec OFN et en continuant à se remplir jusqu'à atteindre la pression de travail, puis en relâchant dans l'atmosphère et en tirant finalement vers le vide. Ce processus doit être répété jusqu'à ce qu'il n'y ait plus de réfrigérant dans le système. Lorsque la dernière charge OFN est utilisée, le système doit être purgé à la pression atmosphérique pour permettre le travail. Cette opération est absolument essentielle si des opérations de brasage sur la tuyauterie doivent avoir lieu.
- Assurez-vous que la sortie de la pompe à vide ne se trouve pas à proximité de sources d'inflammation et qu'il existe une ventilation.

Procédures de charge

Outre les procédures de chargement classiques, les exigences suivantes doivent être respectées:

- Assurez-vous que les différents réfrigérants ne soient pas contaminés lors de l'utilisation d'un équipement de charge. Les tuyaux ou les conduites doivent être aussi courts que possible pour minimiser la quantité de réfrigérant qu'ils contiennent.
- Les bouteilles doivent être maintenues debout.
- Assurez-vous que le système de réfrigération est mis à la terre avant de le charger avec du réfrigérant.
- Étiquetez le système lorsque le chargement est terminé, s'il ne l'est pas déjà.
- Un soin extrême doit être pris pour ne pas trop remplir le système de réfrigération.
- Avant de recharger le système, il doit être testé sous pression avec OFN. Le système doit être soumis à un test d'étanchéité à la fin du chargement mais avant la mise en service. Un contrôle d'étanchéité doit être effectué avant de quitter le site.



Consignes de sécurité importantes

LIRE ET SUIVRE TOUTES LES INSTRUCTIONS DE SÉCURITÉ

Déclassement

Avant d'effectuer cette procédure, il est essentiel que le technicien connaisse parfaitement l'équipement dans tous ses détails. Il est recommandé, conformément aux bonnes pratiques, que tous les réfrigérants soient récupérés en toute sécurité. Avant l'exécution de la tâche, un échantillon d'huile et de réfrigérant doit être prélevé au cas où une analyse serait nécessaire avant de réutiliser le réfrigérant récupéré. Il est essentiel que l'alimentation électrique soit disponible avant le début de la tâche.

- A. Familiarisez-vous avec l'équipement et son fonctionnement.
- B. Isoler le système électriquement.
- C. Avant de tenter la procédure, assurez-vous que:
 - Un équipement de manutention mécanique est disponible si nécessaire pour la manipulation des bouteilles de réfrigérant.
 - Tous les équipements de protection individuelle sont disponibles et utilisés correctement.
 - Le processus de récupération est supervisé à tout moment par une personne compétente.
 - L'équipement de récupération et les bouteilles sont conformes aux normes appropriées.
- D. Pomper le système de réfrigérant, si possible.
- E. Si le vide n'est pas possible, créez un collecteur afin que le réfrigérant puisse être éliminé de différentes parties du système.
- F. Assurez-vous que le cylindre est situé sur la balance avant la récupération.
- G. Démarrez la machine de récupération et utilisez-la conformément aux instructions du fabricant.
- H. Ne pas trop remplir les bouteilles. Pas plus de 80% de volume de charge liquide.
- I. Ne dépassez pas la pression de service maximale du cylindre, même temporairement.
- J. Lorsque les bouteilles ont été remplies correctement et que le processus est terminé, assurez-vous que les bouteilles et l'équipement sont retirés du site rapidement et que toutes les vannes d'isolement de l'équipement sont fermées.
- K. Le réfrigérant récupéré ne doit pas être chargé dans un autre système de réfrigération à moins d'avoir été nettoyé et vérifié.

Étiquetage

L'équipement doit porter une étiquette indiquant qu'il a été mis hors service et vidé du réfrigérant. L'étiquette doit être datée et signée. Assurez-vous qu'il y a des étiquettes sur l'équipement indiquant que celui-ci contient du réfrigérant inflammable.

Récupération

Lorsque vous retirez du fluide frigorigène d'un système, que ce soit pour un entretien ou une mise hors service, il est recommandé de procéder à l'élimination de tous les fluides frigorigènes en toute sécurité.

Lors du transfert du réfrigérant dans les bouteilles, assurez-vous que seul le récupérateur approprié récupère les bouteilles. Assurez-vous que le nombre correct de cylindres permettant de contenir la charge totale du système est disponible. Tous les cylindres à utiliser sont conçus pour le réfrigérant récupéré et étiquetés pour ce réfrigérant, c'est-à-dire des cylindres spéciaux pour la récupération du réfrigérant. Les bouteilles doivent être équipées d'une soupape de surpression et des vannes d'arrêt associées en bon état de fonctionnement. Les bouteilles de récupération vides sont évacuées et, si possible, refroidies avant la récupération.

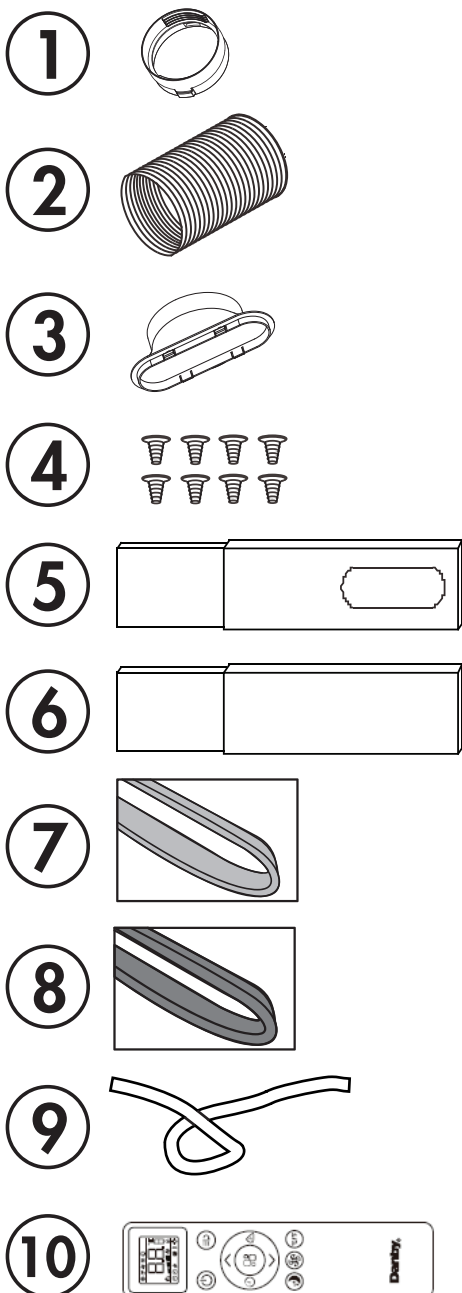
L'équipement de récupération doit être en bon état de fonctionnement, avec un ensemble d'instructions concernant l'équipement disponible et doit être adapté à la récupération des réfrigérants inflammables. En outre, un jeu de balances étalonnées doit être disponible et en bon état de fonctionnement. Les flexibles doivent être complets avec des raccords débranchés sans fuite et en bon état. Avant d'utiliser la machine de récupération, vérifiez qu'elle est en bon état de fonctionnement, correctement entretenue et que tous les composants électriques associés sont scellés pour éviter toute inflammation en cas de fuite du réfrigérant. Consultez le fabricant en cas de doute.

Le fluide frigorigène récupéré doit être renvoyé au fournisseur de fluide frigorigène dans la bouteille de récupération appropriée et la note de transfert de déchets correspondante doit être préparée. Ne mélangez pas les réfrigérants dans les unités de récupération et en particulier dans les bouteilles. Si des compresseurs ou des huiles de compresseurs doivent être éliminés, assurez-vous qu'ils ont été évacués à un niveau acceptable pour vous assurer que le réfrigérant inflammable ne reste pas dans le lubrifiant. Le processus d'évacuation doit être effectué avant de renvoyer le compresseur aux fournisseurs. Seul un chauffage électrique du corps du compresseur doit être utilisé pour accélérer ce processus. Lorsque l'huile est vidangée d'un système, elle doit être effectuée en toute sécurité.

INSTRUCTIONS D'INSTALLATION

ACCESSOIRES

1. Adaptateur de sortie d'air
2. Tuyau d'échappement
3. Adaptateur de glissière de fenêtre
4. 8 boulons
5. Curseur de fenêtre A et B
6. Curseur de fenêtre B et C
7. Joint en mousse A et B (adhésif)
8. Joint en mousse C (non adhésif)
9. Tuyau de drainage
10. Télécommande et batteries

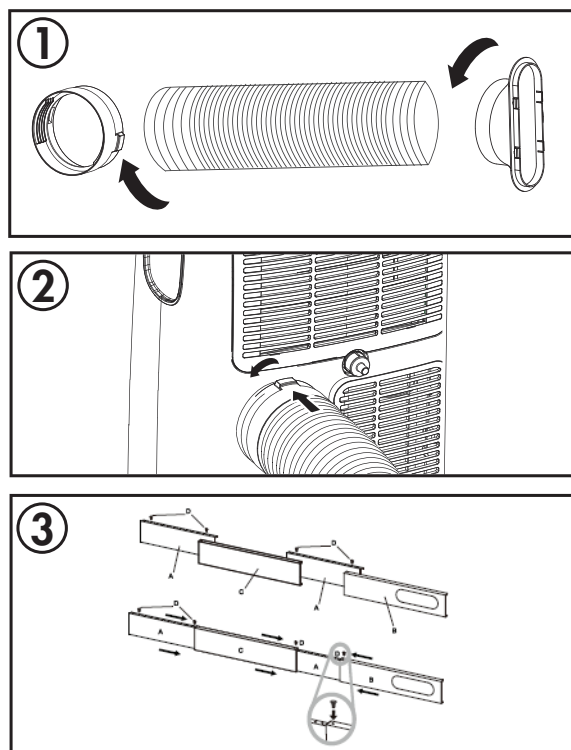


OUTILS REQUIS

1. Tournevis Phillips de taille moyenne
2. Ruban à mesurer ou règle
3. Couteau ou ciseaux
4. Scie (si les curseurs de fenêtre doivent être coupés à la taille)

ASSEMBLAGE DU TROUSSE DE FENÊTRE

1. Fixez l'adaptateur de sortie d'air et l'adaptateur de glissière de fenêtre à l'une des extrémités du tuyau d'échappement.
2. Insérez l'adaptateur de sortie d'air à l'arrière de l'appareil en le plaçant sur l'échappement d'air, puis en poussant dans le sens de la flèche pour le verrouiller.
3. Mesurer l'ouverture de la fenêtre où le kit de fenêtre sera installé. Assemblez autant de curseurs que nécessaire pour s'adapter à la fenêtre. Si la longueur de la fenêtre nécessite les trois curseurs, utilisez deux boulons pour fixer les curseurs à la longueur correcte. Si l'ouverture de la fenêtre est inférieure à la longueur minimale d'un curseur, utilisez le curseur comportant le trou et coupez-le à la longueur appropriée. Veillez à ne pas couper l'extrémité comportant le trou car cela est nécessaire pour fixer l'adaptateur de tuyau d'échappement.



Important : le tuyau de vidange n'est inclus que sur les modèles qui incluent le mode chauffage.

INSTRUCTIONS D'INSTALLATION

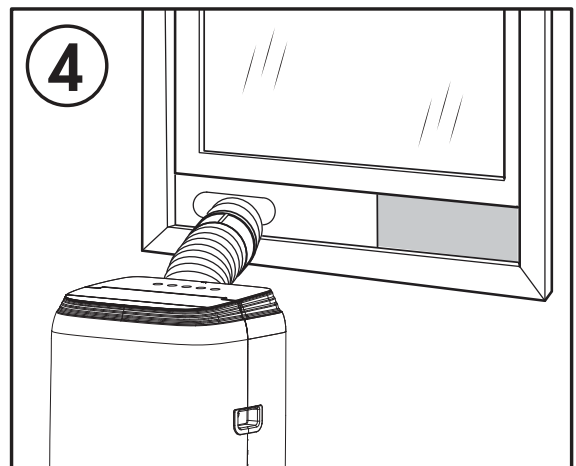
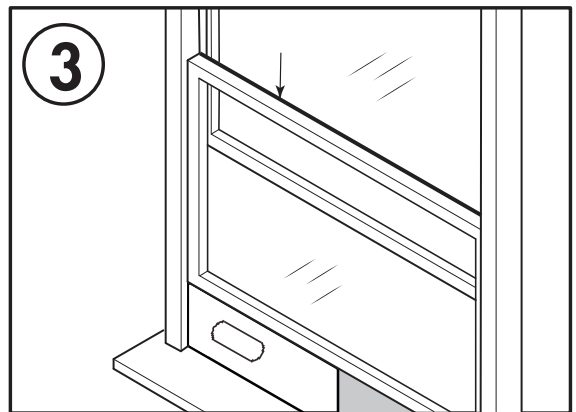
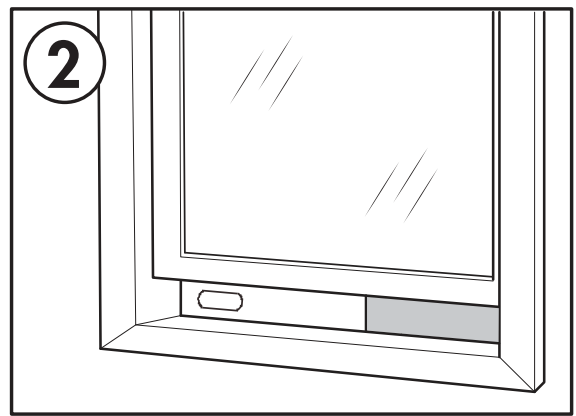
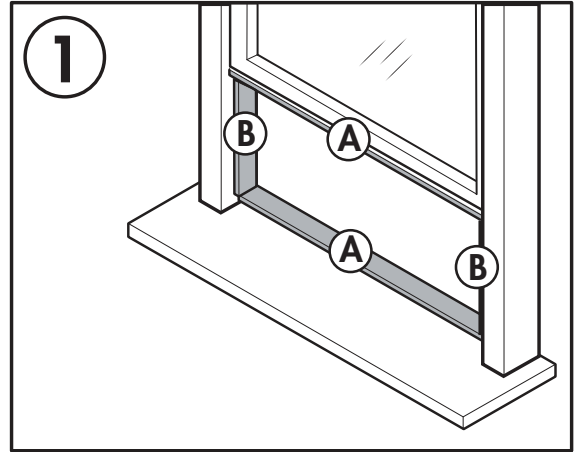
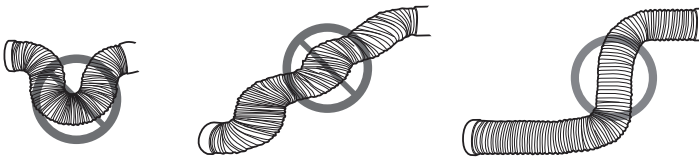
INSTALLATION DU TROUSSE DE FENÊTRE

Le kit de fenêtre peut être utilisé dans une fenêtre suspendue ou dans une application de fenêtre coulissante. Les images à droite sont pour une fenêtre suspendue. Les étapes pour une fenêtre coulissante sont les mêmes.

1. Couper les joints de mousse adhésive A et B à la longueur correcte pour la fenêtre. Fixez-les sur le cadre de la fenêtre et l'image comme indiqué.
2. Insérez le kit de curseur de fenêtre assemblé dans l'ouverture de la fenêtre.
3. Coupez le joint en mousse non adhésive C pour qu'il corresponde à la largeur de la fenêtre. Insérez le joint en mousse entre la vitre et le cadre de la fenêtre pour empêcher l'air et les insectes de pénétrer dans la pièce.
4. Fixez l'adaptateur du curseur de fenêtre au trou dans le kit de curseur de fenêtre.

Remarque : Il peut être plus facile de fixer l'adaptateur de curseur de fenêtre au kit de curseur de fenêtre avant de placer le kit dans la fenêtre.

Remarque : Ne pas trop étendre ni plier le tuyau, car cela entravera le flux d'air.



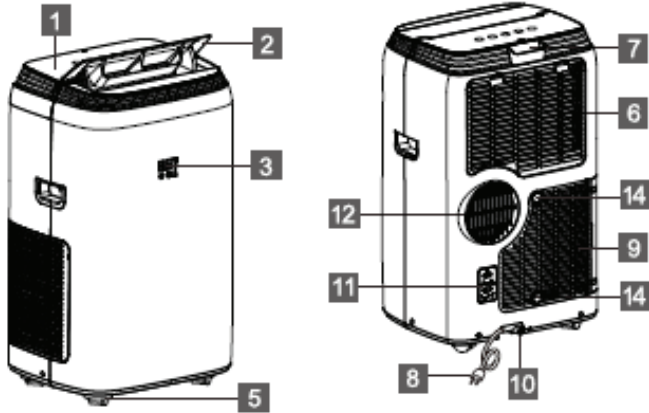
AVERTISSEMENT IMPORTANT

Ne laissez pas cet appareil sans surveillance dans un espace où se trouvent des personnes ou des animaux qui ne peuvent pas réagir à un dysfonctionnement. Un dysfonctionnement tel que le tuyau d'échappement se disloque, peut provoquer une surchauffe extrême ou la mort dans un espace clos et sans surveillance.

INSTRUCTIONS D'UTILISATION

CARACTÉRISTIQUES

1. Panneau de configuration
2. Persienne
3. Afficher
4. Poignée (des deux côtés)
5. Roulettes
6. Prise d'air
7. Support de télécommande
8. Cordon d'alimentation
9. Grille d'admission
10. Vidange du condenseur
11. Fixateur de prise
12. Grille de sortie d'air



EMPLACEMENT

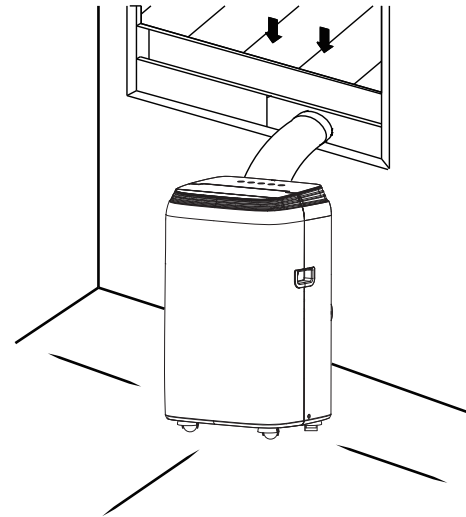
Placez le climatiseur sur un plancher lisse et plat qui est assez solide pour le supporter et tous les accessoires inclus.

Assurez-vous que l'appareil est à niveau pour minimiser les bruits et les vibrations.

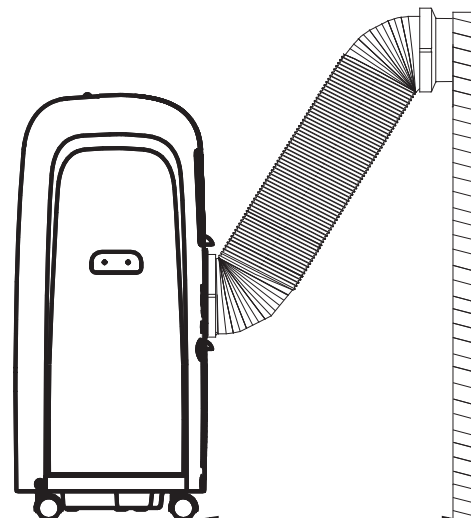
L'appareil doit être installé près d'une prise de mise à la terre et la sortie de vidange à l'arrière de l'appareil doit être accessible.

Ne pas couvrir les entrées d'air ou les prises de courant ou le récepteur de la télécommande sur le panneau de commande.

L'appareil nécessite un dégagement de 45 cm (17.7 pouces) sur le devant et sur les côtés.



L'appareil nécessite au moins 50 cm (20 pouces) de dégagement sur le dos.

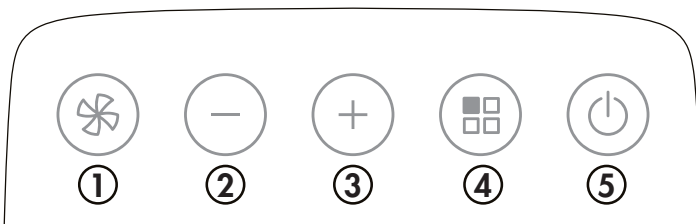


INSTRUCTIONS D'UTILISATION

PANNEAU DE CONTRÔLE

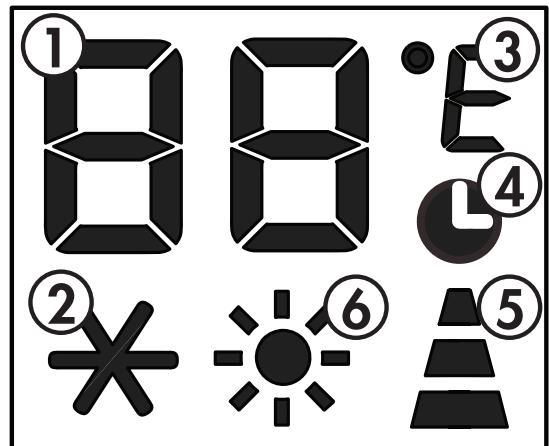
1. Bouton du ventilateur : Utilisé pour régler la vitesse du ventilateur; faible, moyen, élevé ou auto.
2. Bouton diminuer : Utilisé pour diminuer la température définie.
3. Bouton augmenter : Utilisé pour augmenter la température de consigne.
4. Bouton de mode: Utilisé pour choisir le mode; cool, fan ou sec.
5. Bouton d'alimentation: Appuyez pour allumer ou éteindre l'appareil.

Remarque : Certaines fonctions ne sont accessibles que via la télécommande.



PANNEAU D'AFFICHAGE

1. Affichage de la température, du temps et des icônes
2. Indicateur de mode froid
3. Indicateur d'échelle de température
4. Indicateur de minuterie
5. Indicateur de vitesse du ventilateur
 - Un ventilateur bas est indiqué par une barre.
 - Un ventilateur moyen est indiqué par deux barres.
 - Un ventilateur élevé est indiqué par trois barres.
 - La vitesse du ventilateur automatique est indiquée par les barres de cycle.
6. Indicateur de mode de chauffage (non disponible sur tous les modèles)



INSTRUCTIONS D'UTILISATION

MODES DE FONCTIONNEMENT

Mode refroidissement (cool)

- Appuyez sur le bouton de mode jusqu'à ce que l'icône de flocon de neige apparaisse sur l'écran.
- Utilisez les boutons d'augmentation et de diminution pour choisir la température désirée.
- Utilisez le bouton du ventilateur pour choisir la vitesse du ventilateur souhaitée.
- La température peut être réglée dans une plage de 18 à 32°C (64 à 90°F).
- Le tuyau d'échappement doit être installé en mode refroidissement pour garantir les meilleurs résultats.

Mode sec (dry)

- Appuyez sur le bouton de mode jusqu'à ce que le symbole «dh» apparaisse sur l'écran.
- La vitesse du ventilateur sera réglée sur auto.
- Le tuyau d'échappement doit être installé en mode sec pour garantir les meilleurs résultats.
- Il peut être nécessaire d'installer le tuyau de vidange continu en mode séchage pour éliminer l'excès d'eau.

MODES DE FONCTIONNEMENT

Mode ventilateur (fan)

- Appuyez sur le bouton de mode jusqu'à ce que l'icône du ventilateur apparaisse sur l'écran.
- Appuyez sur le bouton du ventilateur pour choisir la vitesse de ventilation souhaitée: faible, moyenne ou élevée.
- Le tuyau d'échappement n'a pas besoin d'être installé en mode ventilateur.
- Le mode ventilateur peut être utilisé pour faire fonctionner le ventilateur sans activer les fonctions de refroidissement, de chauffage ou de déshumidification.

Mode de chauffage (heat)

- Appuyez sur le bouton de mode jusqu'à ce que l'icône du soleil apparaisse sur l'écran.
- Utilisez les boutons d'augmentation et de diminution pour choisir la température désirée.
- Appuyez sur le bouton du ventilateur pour choisir la vitesse de ventilation souhaitée.
- La température peut être réglée dans une plage de 13 à 27°C (55 à 81°F).
- Le tuyau d'échappement doit être installé en mode chauffage pour garantir les meilleurs résultats.
- Il peut être nécessaire d'installer le tuyau de vidange continu pendant le mode de chauffage pour éliminer l'excès d'eau.
- Le mode de chauffage n'est pas disponible sur tous les modèles.

INSTRUCTIONS D'UTILISATION

FONCTION DE MINUTERIE

La fonction de minuterie peut être utilisée pour allumer ou éteindre l'appareil après un certain temps afin d'économiser de l'énergie.

Pour régler la minuterie pour éteindre l'appareil:

1. Pendant le fonctionnement de l'appareil, appuyez sur le bouton de la minuterie. L'affichage de l'heure clignotera.
2. Appuyez sur le bouton de la minuterie pour choisir le nombre d'heures avant que l'appareil s'éteigne.
3. Attendez 5 secondes pour confirmer le réglage. L'icône du minuteur s'allumera.

Pour régler la minuterie afin d'allumer l'appareil:

1. Allumez l'appareil et choisissez le mode et les paramètres souhaités. Éteignez l'appareil.
2. Lorsque l'appareil est éteint, appuyez sur le bouton de la minuterie. L'affichage de l'heure clignotera.
3. Appuyez sur le bouton de la minuterie pour choisir le nombre d'heures avant l'allumage de l'appareil.
4. Attendez 5 secondes pour confirmer le réglage. L'icône du minuteur s'allumera.

Remarques: Allumer ou éteindre l'appareil à tout moment ou régler le minuteur sur 0 heure annulera les réglages.

VERROUILLAGE ENFANT

Le verrouillage d'enfants peut être activée en appuyant simultanément sur les boutons de contrôle de la température de la télécommande pendant 3 secondes. Les touches de la télécommande ne peuvent pas être utilisées lorsque le verrouillage d'enfants est active. Pour désactiver le verrouillage d'enfants, maintenez enfoncés les boutons de contrôle de la température en même temps pendant 3 secondes.

La sécurité enfants ne peut être activée ou désactivée qu'à l'aide de la télécommande.

INSTRUCTIONS D'UTILISATION

FONCTION DE VEILLE

La fonction de veille peut être utilisée pour économiser de l'énergie pendant les heures de sommeil. Cette fonction peut être utilisée en mode refroidissement et chauffage.

Lorsqu'elle est sélectionnée en mode refroidissement, la température réglée augmente de 1 degré par heure pendant 2 heures. L'appareil maintiendra la nouvelle température réglée pendant 6 heures avant de revenir automatiquement au fonctionnement normal.

Lorsqu'elle est sélectionnée en mode chauffage, la température réglée diminuera de 1 degré par heure pendant 3 heures. L'appareil maintiendra la nouvelle température réglée pendant 5 heures avant de revenir automatiquement au fonctionnement normal.

La fonction veille ne peut être activée qu'avec la télécommande et peut être annulée à tout moment en appuyant sur le bouton veille.

FONCTION SUIVEZ-MOI

La fonction Suivez-moi ne peut être activée qu'à partir de la télécommande.

La télécommande a un thermostat à l'intérieur. Gardez la télécommande et le climatiseur ajustera automatiquement la température réglée en fonction de la température ambiante de votre emplacement.

La distance maximale pour la fonction Suivez-moi est de 8 mètres (26 pieds). Cette fonction est disponible dans les modes cool et automatique.

Pour activer suivez-moi, appuyez sur le bouton turbo, puis appuyez sur les boutons de contrôle de la température jusqu'à ce que l'icône suivez-moi apparaisse sur l'écran, puis appuyez sur le bouton turbo pour confirmer la sélection.

L'écran de la télécommande indiquera la température ambiante réelle à son emplacement. La télécommande enverra un signal au climatiseur toutes les 20 minutes pour mettre à jour la température réglée. Si le climatiseur ne reçoit pas de signal de la télécommande pendant une période de 25 minutes, la fonction Suivez-moi se désactivera.

Pour désactiver le suivez-moi, appuyez sur le bouton turbo, puis appuyez sur les boutons de contrôle de la température jusqu'à ce que l'icône suivez-moi clignote sur l'écran, puis appuyez sur le bouton turbo pour confirmer la sélection.

INSTRUCTIONS D'UTILISATION

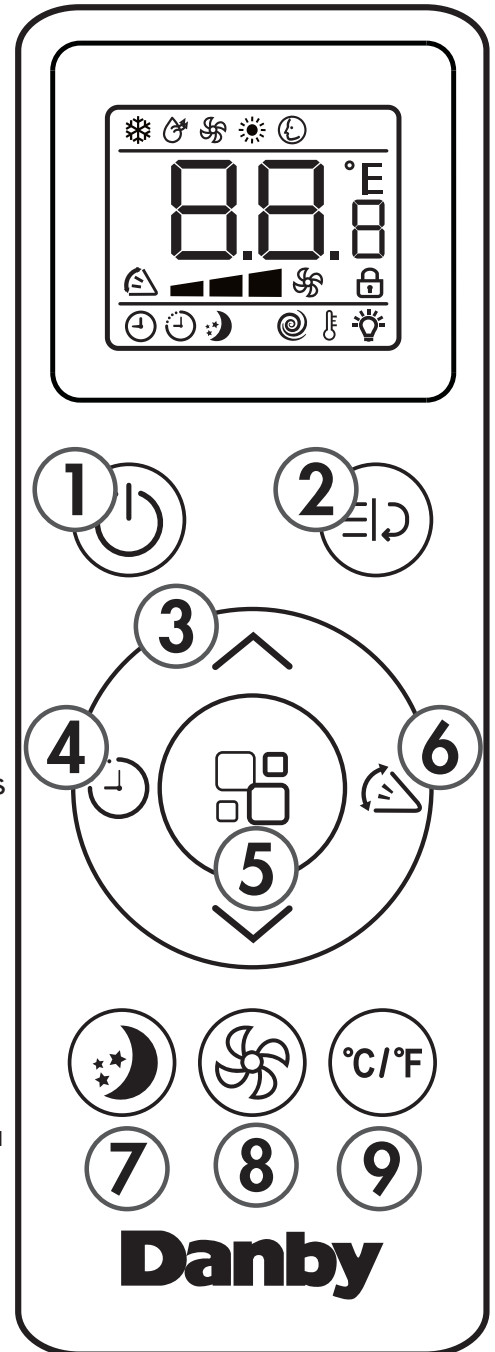
TÉLÉCOMMANDE

1. Bouton d'alimentation : utilisé pour allumer ou éteindre l'appareil.
2. Bouton turbo : la fonction turbo n'est pas disponible sur ce modèle.
3. Boutons de contrôle de température : utilisés pour augmenter ou diminuer la température de consigne.
4. Bouton de minuterie : utilisé pour régler la fonction de minuterie.
5. Bouton de mode : utilisé pour choisir le mode.
6. Bouton osciller : la fonction osciller n'est pas disponible sur ce modèle.
7. Bouton de sommeil : utilisé pour régler la fonction de sommeil.
8. Bouton de ventilateur : utilisé pour régler la vitesse du ventilateur.
9. Bouton °C/°F : utilisé pour changer l'échelle de température entre Celsius et Fahrenheit.

Remarque : la télécommande fonctionnera dans un rayon de 7 mètres (23 pieds) de l'appareil.

AFFICHAGE À TÉLÉCOMMANDE

L'affichage numérique de la télécommande affichera les symboles ci-dessous. Veuillez noter que toutes les fonctionnalités peuvent ne pas être disponibles sur votre modèle. Si vous essayez d'utiliser une fonction que votre modèle ne prend pas en charge, l'appareil passera par défaut en mode ventilateur.



	COOL		SLEEP
	DRY		Timer ON
	FAN		Timer OFF
	HEAT		Fan speed
	SMART		Turbo
	SWING		Child lock

INSTRUCTIONS D'UTILISATION

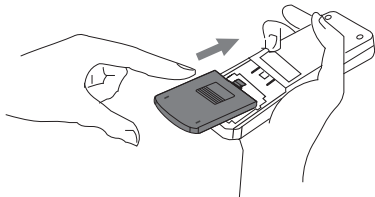
REPLACEMENT DES PILES DE LA TÉLÉCOMMANDE

Ce climatiseur est livré avec deux piles AAA. Placez les piles dans la télécommande avant utilisation.

1. Faites glisser le capot arrière de la télécommande vers le bas pour exposer le compartiment de la batterie.
2. Insérez les piles en veillant à faire correspondre les symboles (+) et (-) situés aux extrémités des piles avec les symboles figurant dans le compartiment à piles.
3. Faites glisser le couvercle de la batterie en place.

Remarques:

- Le climatiseur ne répondra pas si des rideaux, des portes ou d'autres matériaux bloquent le signal de la télécommande à l'unité.
- Empêchez tout liquide d'entrer en contact avec la télécommande. N'exposez pas la télécommande à la lumière directe du soleil ou à la chaleur.
- Si le récepteur de signaux infrarouges de l'unité intérieure est exposé aux rayons directs du soleil, le climatiseur peut ne pas fonctionner correctement. Utilisez des rideaux pour empêcher la lumière du soleil de tomber sur le récepteur.
- Ne mélangez pas des piles neuves et usagées, ni des piles de types différents.
- Ne laissez pas les piles dans la télécommande si elle ne sera pas utilisée pendant plus de 2 mois.



Cet équipement a été testé et s'est avéré conforme aux limites d'un appareil numérique de classe B, conformément à la partie 15 des règles de la FCC. Ces limites sont conçues pour fournir une protection raisonnable contre les interférences nuisibles dans une installation résidentielle. Cet équipement génère, utilise et peut émettre de l'énergie radiofréquence et, s'il n'est pas installé et utilisé conformément aux instructions, peut causer des interférences nuisibles aux communications radio. Cependant, il n'y a aucune garantie que des interférences ne se produiront pas dans une installation particulière.

Si cet équipement provoque des interférences nuisibles à la réception de la radio ou de la télévision, ce qui peut être déterminé en allumant et éteignant l'équipement, l'utilisateur est encouragé à essayer de corriger les interférences en prenant une ou plusieurs des mesures suivantes:

1. Réorienter ou déplacer l'antenne réceptrice.
2. Accroître la distance entre l'appareil et le récepteur.
3. Brancher l'appareil sur une prise de courant appartenant à un autre circuit que celui du récepteur.
4. Chercher de l'aide auprès du détaillant ou d'un technicien en radio ou en télévision expérimenté.

Des changements ou modifications non approuvés par l'autorité ayant confirmé la conformité de l'appareil aux règlements de la FCC pourraient faire retirer l'autorisation d'utilisation de l'appareil. Cet appareil est conforme à la Section 15 des réglementations de la FCC.

Son utilisation est soumise aux deux conditions suivantes:

1. Cet appareil ne doit pas provoquer d'interférences nuisibles.
2. Cet appareil doit accepter toute interférence reçue, y compris les interférences pouvant entraîner un fonctionnement indésirable.

Cet appareil est conforme à la norm CAN ICES-3 (B) / NMB-3 (B) du Canada.

IMPORTANT

Ne pas jeter les piles en tant que déchets municipaux non triés. Reportez-vous aux lois locales pour l'élimination correcte des piles.

INSTRUCTIONS D'UTILISATION

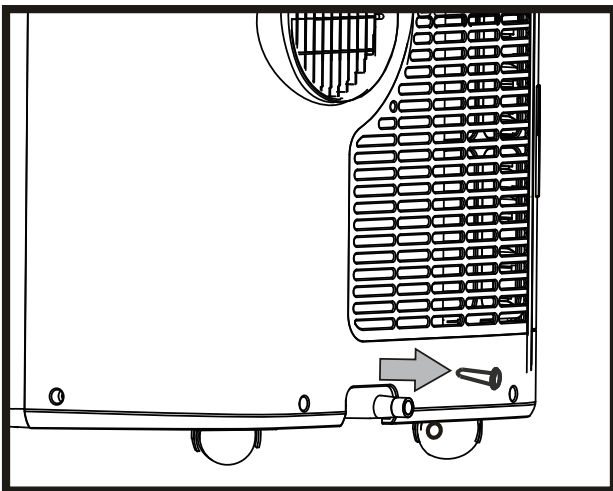
VIDANGE D'EAU

Lorsque le bac de vidange interne devient plein, l'appareil sonne 8 fois et l'affichage numérique affichera le code d'erreur "F1". L'action de la climatisation ou de la déshumidification s'arrête, mais le ventilateur peut continuer à fonctionner.

Il existe deux méthodes pour évacuer l'eau de l'appareil :

1. Bouchon de vidange

1. Mettez l'appareil hors tension et débranchez-le de la source d'alimentation.
2. Déplacez soigneusement l'appareil à un endroit où l'eau peut être vidangée.
3. Retirez le bouchon de vidange et laissez l'eau s'écouler complètement.
4. Remplacez le bouchon de vidange inférieur en appuyant fermement pour assurer un ajustement serré et aucune fuite.
5. Le symbole d'erreur "F1" disparaîtra et l'appareil reprendra la fonction normale une fois que l'alimentation a été restaurée.



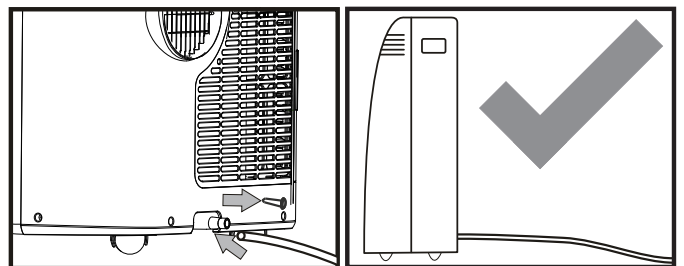
2. Drain continu

En mode de séchage, vous pouvez configurer l'option de vidange continue pour que l'appareil vidange automatiquement l'eau collectée. Assurez-vous que l'appareil est éteint et débranché de la source d'alimentation avant de configurer le tuyau de vidange.

Retirez le bouchon de vidange et fixez le tuyau de vidange fourni avec l'appareil. Assurez-vous que le tuyau de vidange ne soit ni plié ni plié, car cela pourrait empêcher l'eau de s'écouler.

Placez l'extrémité ouverte du tuyau de vidange sur le récipient dans lequel l'appareil se videra; cela pourrait être un drain de plancher de sous-sol, un évier ou similaire.

Rappelez-vous qu'il n'y a pas de pompe de vidange dans cet appareil, la vidange continue est activée uniquement par gravité. Assurez-vous que le tuyau de vidange descend directement vers le sol à partir du raccord de vidange. Si le tuyau n'est pas placé directement vers le bas, l'eau ne s'écoulera pas correctement.



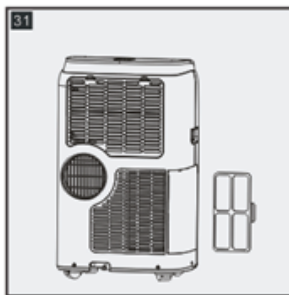
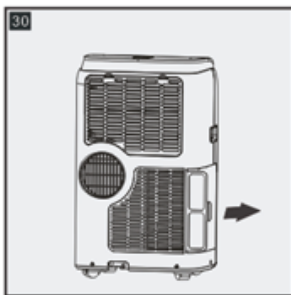
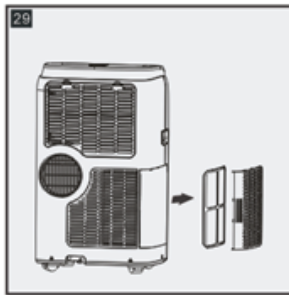
NETTOYAGE

- Débranchez l'appareil avant de le nettoyer ou de l'entretenir.
- Nettoyez l'armoire avec un chiffon humide tiède et un détergent neutre. Séchez l'armoire avec un chiffon sec sans peluches.
- N'utilisez pas d'essence, de diluant ou d'autres produits chimiques pour nettoyer l'appareil.
- Ne lavez pas l'appareil directement sous un robinet ou à l'aide d'un tuyau. Cela peut causer des dommages électriques.

FILTRE À AIR

Le filtre à air doit être nettoyé toutes les deux semaines pour assurer une performance efficace.

Dans les ménages avec des animaux, les filtres à air doivent avoir besoin d'être nettoyés plus souvent et les grilles extérieures devront peut-être être essuyées pour empêcher le flux d'air bloqué.



ENTREPOSAGE À LONG TERME

1. Égoutter toute l'eau de l'appareil.
2. Faites fonctionner l'appareil sur le mode Ventilateur pendant une demi-journée dans une pièce chaude pour sécher l'intérieur de l'appareil et empêcher la formation de moisissure.
3. Éteignez l'appareil et débranchez-le, enrroulez le cordon et collez-le avec du ruban adhésif.
4. Retirez les piles de la télécommande.
5. Nettoyez les filtres à air et réinstallez-les.
6. Conserver l'appareil est un endroit frais et sombre. Une exposition prolongée à la lumière directe du soleil ou à une chaleur extrême peut raccourcir la durée de vie de l'appareil.

DISPOSITION

Cet appareil ne doit pas être considéré comme un ordures ménagères. Vérifiez la conformité réglementaire locale concernant l'élimination approuvée et sûre de cet appareil.

Ne jetez pas les piles avec les déchets ménagers non triés. Reportez-vous aux lois locales pour une élimination appropriée des piles.

CODES D'ERREUR

Lt - basse température - l'appareil se mettra en pause si de la glace se forme sur la structure interne; l'appareil reprendra normalement son fonctionnement normal lorsque la glace fondra

PF - capteur défectueux - débranchez l'appareil pendant 5 minutes pour réinitialiser les capteurs internes; si le code d'erreur persiste après le branchement de l'appareil, veuillez contacter le service clientèle pour obtenir des informations sur l'entretien

Ft - le bac à eau est plein - fixez le tuyau de vidange et vidangez l'excès d'eau

QUESTIONS FRÉQUEMMENT POSÉES

Puis-je laisser mon climatiseur en place pendant l'hiver?

Ce n'est pas recommandé.

Quels sont la puissance et les ampères standard utilisés?

Les informations relatives aux watts et aux ampères se trouvent sur la plaque signalétique située sur le côté de l'appareil.

Quand dois-je utiliser le tuyau d'échappement?

Le tuyau d'échappement doit être utilisé en modes froid, sec, chaud et automatique. Il n'est pas nécessaire en mode ventilateur.

Puis-je utiliser une rallonge?

Non, une rallonge ne peut pas être utilisée.

Puis-je allonger la longueur du tuyau d'échappement?

Non. L'appareil a été conçu en tenant compte de la longueur du tuyau et n'a été testé que dans ces conditions. Utilisez plutôt un ventilateur supplémentaire pour souffler l'air frais vers d'autres endroits.

Quand dois-je utiliser le tuyau de vidange?

Le tuyau de vidange doit être utilisé en mode chauffage, en mode séchage ou si vous utilisez la vidange continue.

D'où dois-je vidanger l'eau?

L'eau s'écoule du port de drainage. Si vous n'utilisez pas le drain continu, le bac interne s'écoule de la sortie inférieure.

Les odeurs

L'odeur est causée par la formation de moisissure ou de moisissure sur les surfaces internes. Cela peut se produire lorsqu'il y a une mauvaise circulation de l'air, un filtre sale ou le climatiseur n'a pas été utilisé pendant un certain temps.

- Assurez-vous que le filtre est propre.
- Faites fonctionner l'unité en mode ventilateur pour éliminer toute humidité interne.
- Vérifiez s'il y a des obstructions dans les conduites de vidange et assurez-vous qu'il n'y a pas d'obstacles.

Veillez redémarrer votre appareil. Débranchez-le et rebranchez-le après 15 à 20 minutes. Cela permet à l'unité de se réchauffer et de se vider s'il y a du gel qui arrête la vidange et de revenir aux réglages d'usine.

Pour les odeurs dans une unité, nous suggérons d'utiliser un comprimé d'algicide. Vous devez d'abord éteindre l'appareil, retirer la grille inférieure et le filtre de la grille à la base de l'appareil, puis placer la tablette dans la base.

DÉPANNAGE

L'appareil ne fonctionnera pas

- La fiche n'est pas complètement insérée dans la prise murale
- Fusible ou disjoncteur grillé

Refroidissement insuffisant

- Le filtre à air est sale
- Flux d'air bloqué
- La taille de l'appareil est trop petite pour l'application

Bruit

- Le sol n'est pas de niveau
- Le filtre à air est sale ou obstrué
- Les bruits de gargouillis sont normaux, il s'agit du liquide de refroidissement circulant à l'intérieur de l'appareil

Odeurs

- Formation de moisissure sur des surfaces intérieures humides
- Placer un comprimé d'algicide dans la casserole de base; assurez-vous que l'appareil est débranché, retirez la grille supérieure et le filtre, placez la tablette dans le bac à eau du milieu et remplacez la grille et le filtre

GARANTIE LIMITÉE « À DOMICILE »

Cet appareil de qualité est garanti exempt de tout vice de matière première et de fabrication, s'il est utilisé dans les conditions normales recommandées par le fabricant.

Cette garantie n'est offerte qu'à l'acheteur initial de l'appareil vendu par Danby Products Limited (Canada) ou Danby Products Inc. (É.-U.) (ci-après « Danby ») ou par l'un de ses distributeurs agréés et elle ne peut être transférée.

CONDITIONS

Les pièces en plastique sont garanties pendant trente (30) jours seulement à partir de la date de l'achat, sans aucune prolongation prévue.

Premiers 24 mois Pendant les premiers **vingt quatre (24) mois**, toutes les pièces fonctionnelles de ce produit qui s'avèrent défectueuses seront réparées ou remplacées, selon le choix du garant, sans frais à l'acheteur initial.

Pour bénéficiaire du service S'adresser au détaillant qui a vendu l'appareil, ou à la station technique agréée de service la plus proche, où les réparations doivent être effectuées par un technicien qualifié. Si les réparations sont effectuées par quiconque autre que la station de service agréée ou à des fins commerciales, toutes les obligations de Danby en vertu de cette garantie seront annulées.

Limites de l'entretien à domicile Danby se réserve le droit de limiter les limites de « Service au domicile » à proximité d'un dépôt de service agréé. Pour tout appareil nécessitant le service hors des limites de "Service à domicile" il sera la responsabilité du consommateur de transporter à ses frais au point d'achat d'origine ou un dépôt de service pour la réparation. Si l'appareil est installé à plus de **100 kilomètres (62 milles)** du centre de service le plus proche, il doit être livré à l'atelier de réparation autorisé par Danby le plus proche, car l'entretien doit uniquement être réalisé par un technicien qualifié et certifié pour effectuer un entretien couvert par la garantie de Danby.

Les frais de transport entre votre domicile et le lieu de l'entretien ne sont pas couverts par la présente garantie et doivent être acquittés par l'acheteur.

Aucune partie de la garantie ne prévoit implicitement que le fabricant sera tenu responsable des dommages subis par les aliments ou d'autres types de contenu, qu'ils soient causés par la défectuosité de l'appareil ou par son usage adéquat ou inadéquat.

EXCLUSIONS

En vertu de la présente, il n'existe aucune autre garantie, condition ou représentation, qu'elle soit exprimée ou tacite, de façon manifeste ou intentionnelle, par Danby ou ses distributeurs agréés. De même, sont exclues toutes les autres garanties, conditions ou représentations, y compris les garanties, conditions ou représentations en vertu de toute loi régissant la vente de produits ou de toute autre législation ou règlement semblable. **En vertu de la présente, Danby ne peut être tenue responsable en cas de blessures corporelles ou de dégâts matériels, y compris à l'appareil, quelle qu'en soit la cause. Danby ne peut pas être tenue responsable des dommages indirects dus au fonctionnement défectueux de l'appareil. En achetant l'appareil, l'acheteur accepte de tenir sans reproche et de dégager Danby de toute responsabilité en cas de réclamation pour toute blessure corporelle ou tout dégât matériel causé par cet appareil.**

CONDITIONS GÉNÉRALES

La garantie ou assurance ci-dessus ne s'applique pas si les dégâts ou réparations sont dus aux cas suivants :

- 1) Panne de courant.
- 2) Dommages subis pendant le transport ou le déplacement de l'appareil.
- 3) Alimentation électrique incorrecte (tension faible, câblage défectueux, fusibles incorrects).
- 4) Accident, modification, emploi abusif ou incorrect de l'appareil tel qu'une circulation d'air inadéquate dans la pièce ou des conditions de fonctionnement anormales (température extrêmement élevée ou basse).
- 5) Utilisation dans un but commercial ou industriel (à savoir, si l'appareil n'est pas installé dans un domicile résidentiel).
- 6) Incendie, dommages causés par l'eau, le vol, la guerre, une émeute, des hostilités, ou en cas de force majeure (ouragan, inondation, etc.).
- 7) Visites d'un technicien pour expliquer le fonctionnement de l'appareil au propriétaire.
- 8) Installation inappropriée (par exemple, encastrement d'un appareil autoportant, ou utilisation extérieure d'un appareil non conçu à cet effet, y compris, mais sans s'y limiter : les garages, les patios, les porches ou ailleurs, qui ne sont pas correctement isolés ou climatisés).

La preuve de la date d'achat sera requise pour les réclamations de garantie; conserver la facture de vente. Dans le cas où un service de garantie est requis, présentez la preuve d'achat à notre dépôt de service agréé.

Service sous garantie

Service au domicile

Danby Products Limited
PO Box 1778, Guelph, Ontario, Canada N1H 6Z9
Téléphone : (519) 837-0920 Télécopieur : (519) 837-0449

1-800-263-2629

02/18

Danby Products Inc.
PO Box 669, Findlay, Ohio, U.S.A. 45840
Téléphone : (419) 425-8627 Télécopieur : (419) 425-8629

Bienvenido a la familia Danby.

Estamos orgullosos de nuestros productos de calidad y creemos en un servicio confiable. Le sugerimos que lea este manual del propietario antes de enchufar su nuevo electrodoméstico, ya que contiene información importante de funcionamiento, información de seguridad, solución de problemas y consejos de mantenimiento para garantizar la confiabilidad y longevidad de su electrodoméstico.

Tiene derecho a la cobertura de la garantía como se describe en el manual del propietario que se proporciona con su nuevo electrodoméstico.

1. Escriba la información de su aparato a continuación. **Debe conservar el comprobante de compra original para validar y recibir los servicios de garantía.**
2. Registre su producto en línea y reciba una **EXTENSIÓN DE GARANTÍA GRATUITA DE 2 MESES** después de completar una encuesta sobre el producto, en www.danby.com/support/product-registration/

Número de modelo: _____

Número de serie: _____

Fecha de compra: _____

Necesitas ayuda?

1. Lea el manual del propietario para obtener ayuda con la instalación, resolución de problemas y asistencia de mantenimiento.
2. Visite www.Danby.com para acceder a herramientas de autoservicio, preguntas frecuentes y mucho más buscando su número de modelo en la barra de búsqueda.
3. Para obtener el **servicio al cliente más rápido**, complete el formulario web en www.danby.com/support. Su envío irá directamente a un experto en su dispositivo en particular. Nuestros tiempos de respuesta promedio son entre 20 minutos y 2 horas, durante el horario comercial EST.
4. Llame al **1-800-263-2629**; tenga en cuenta que durante las horas pico, los tiempos de espera pueden exceder una hora.



Importantes Instrucciones de Seguridad

LEA Y SIGA TODAS LAS INSTRUCCIONES DE SEGURIDAD



REQUERIMIENTOS DE SEGURIDAD

PELIGRO: Riesgo de incendio o explosión. Refrigerante inflamable utilizado. No dañe el circuito de refrigerante.

- Asegúrese de que el servicio sea realizado por personal de servicio autorizado de fábrica, para minimizar los daños del producto o los problemas de seguridad.
- Consulte el manual de reparación o la guía del propietario antes de intentar reparar este producto. Deben seguirse todas las precauciones de seguridad.
- Deséchese adecuadamente de acuerdo con las regulaciones federales o locales.
- Siga cuidadosamente las instrucciones de manejo.
- Mantenga las aberturas de ventilación, en el aparato, sin obstrucciones.
- No utilice dispositivos mecánicos u otros medios para acelerar el proceso de descongelación.
- Los niños deben ser supervisados para asegurarse de que no jueguen con el aparato.
- No almacene ni instale el aparato cerca de fuentes de ignición que funcionen continuamente, como llamas o una estufa de gas.
- No opere cerca del agua o en una habitación húmeda.
- No perforar o quemar.
- Tenga en cuenta que los refrigerantes no pueden contener un olor.
- El aparato debe almacenarse para evitar daños mecánicos.

Todo el cableado debe cumplir con los códigos locales y nacionales y debe ser instalado por un electricista calificado. Verifique la fuente de alimentación disponible y resuelva cualquier problema de cableado antes de instalar y operar este dispositivo.

La placa de características ubicada en el lado derecho del aparato, justo encima del cable de alimentación, contiene datos eléctricos y otros datos técnicos.

Este dispositivo no está destinado a ser utilizado por personas (incluidos niños) cuyas capacidades físicas, sensoriales o mentales pueden ser diferentes o reducidas, o que carecen de experiencia o conocimiento, a menos que dichas personas sean supervisadas o entrenadas para operar el dispositivo por una persona responsable de su la seguridad.

INSTRUCCIONES DE CONEXION A TIERRA

Este aparato debe estar conectado a tierra. La puesta a tierra reduce el riesgo de descarga eléctrica proporcionando un cable de escape para la corriente eléctrica.

Este aparato tiene un cable que tiene un cable de conexión a tierra con un enchufe de 3 clavijas. El cable de alimentación debe estar enchufado en un tomacorriente que esté debidamente conectado a tierra. Si el tomacorriente es un enchufe de pared de 2 terminales, debe ser reemplazado por un tomacorriente de pared de 3 clavijas debidamente conectado a tierra. La placa de características en serie indica el voltaje y la frecuencia que el aparato está diseñado para.

ADVERTENCIA - El uso incorrecto del enchufe de conexión a tierra puede resultar en un riesgo de descarga eléctrica. Consulte a un electricista calificado o agente de servicio si las instrucciones de conexión a tierra no se entienden completamente o si existe duda sobre si el aparato está debidamente conectado a tierra.

No conecte el aparato a los cables de extensión ni con otro aparato en la misma toma de corriente. No empalme el cable de alimentación. No corte ni extraiga en ningún caso la tercera clavija de tierra del cable de alimentación. No utilice cables de extensión ni adaptadores sin conexión a tierra (dos clavijas).

Si el cable de alimentación está dañado, debe ser reemplazado por el fabricante, su agente de servicio o persona calificada similar para evitar riesgos.



PRECAUCIÓN: RIESGO DE INCENDIO

Refrigerante inflamable utilizado. Al mantener o desechar el acondicionador de aire, no se debe permitir que el refrigerante se ventile al aire libre.

¡GUARDE ESTAS INSTRUCCIONES!



Importantes Instrucciones de Seguridad

LEA Y SIGA TODAS LAS INSTRUCCIONES DE SEGURIDAD

Cualquier persona involucrada en trabajar en el circuito de refrigerante debe tener un certificado válido y vigente de una autoridad de evaluación acreditada de la industria que autorice su competencia para manejar refrigerantes de manera segura de acuerdo con una especificación de evaluación reconocida por la industria.

La reparación solo se realizará según lo recomendado por el fabricante. El mantenimiento y las reparaciones que requieran la asistencia de otro personal calificado deben realizarse bajo la supervisión de la persona competente en el uso de refrigerantes inflamables.

Al mantener o desechar el aparato, el refrigerante debe recuperarse adecuadamente y no debe permitirse que se descargue al aire directamente.

Información sobre mantenimiento

- 1. Cheques a la zona:** Antes de comenzar a trabajar en sistemas que contengan refrigerantes inflamables, se necesitan controles de seguridad para garantizar que se minimice el riesgo de ignición. Para la reparación del sistema de refrigeración, se deben cumplir las siguientes precauciones antes de realizar trabajos en el sistema.
- 2. Procedimiento de trabajo:** El trabajo debe realizarse bajo un procedimiento controlado para minimizar el riesgo de que haya un gas o vapor inflamable mientras se realiza el trabajo.
- 3. Área de trabajo general:** Todo el personal de mantenimiento y otras personas que trabajan en el área local deben recibir instrucciones sobre la naturaleza del trabajo que se está llevando a cabo. Se evitará el trabajo en espacios confinados. El área alrededor del espacio de trabajo debe ser seccionado. Asegúrese de que las condiciones dentro del área de trabajo se hayan hecho seguras eliminando todo el material inflamable.
- 4. Comprobando la presencia de refrigerante:** Se deben verificar con un detector de refrigerante adecuado antes y durante el trabajo para garantizar que el técnico tenga conocimiento de las atmósferas potencialmente inflamables. Asegúrese de que el equipo de detección de fugas que se está utilizando sea adecuado para el uso con refrigerantes inflamables, es decir, que no produzcan chispas, que estén adecuadamente sellados y sean intrínsecamente seguros.
- 5. Presencia de extintor de incendios:** Si se debe realizar algún trabajo en caliente en el equipo de refrigeración o en cualquier pieza asociada, debe estar disponible el equipo de extinción de incendios adecuado. Tenga un extintor de polvo seco o CO₂ adyacente al área de trabajo.
- 6. No hay fuentes de ignición:** Ninguna persona que realice trabajos en relación con un sistema de refrigeración que implique exponer cualquier tubería que contenga o haya contenido refrigerante inflamable deberá utilizar ninguna fuente de ignición de tal manera que pueda provocar riesgo de incendio o explosión. Todas las fuentes de ignición posibles, incluido el consumo de cigarrillos, deben mantenerse lo suficientemente lejos del lugar de instalación, reparación, eliminación y eliminación durante los cuales es posible que se libere refrigerante inflamable al espacio circundante. Antes de realizar el trabajo, se debe inspeccionar el área alrededor del equipo para asegurarse de que no haya peligros inflamables o riesgos de ignición. No se mostrarán señales de fumar.
- 7. Zona ventilada:** Asegúrese de que el área esté al aire libre o de que esté adecuadamente ventilada antes de entrar en el sistema o realizar cualquier trabajo en caliente. Un cierto grado de ventilación deberá continuar durante el período de trabajo. La ventilación debe dispersar de forma segura cualquier refrigerante liberado y, preferiblemente, expulsarlo externamente a la atmósfera.
- 8. Comprobaciones al equipo de refrigeración:** Donde se cambien los componentes eléctricos, deben ser adecuados para el propósito y para la especificación correcta. En todo momento se seguirán las pautas de mantenimiento y servicio del fabricante. En caso de duda, consulte al departamento técnico del fabricante para obtener ayuda.



Importantes Instrucciones de Seguridad

LEA Y SIGA TODAS LAS INSTRUCCIONES DE SEGURIDAD

Se aplicarán los siguientes controles a las instalaciones que utilizan refrigerantes inflamables:

- El tamaño de carga está de acuerdo con el tamaño de la habitación dentro de la cual se instalan las piezas que contienen refrigerante.
 - La maquinaria de ventilación y las salidas funcionan adecuadamente y no están obstruidas.
 - Si se está utilizando un circuito de refrigeración indirecto, se debe revisar el circuito secundario para detectar la presencia de refrigerante.
 - El marcado al equipo sigue siendo visible y legible. Las marcas y signos que se vuelven ilegibles deben ser corregidos.
 - La tubería o los componentes de refrigeración se instalan en una posición en la que es poco probable que estén expuestos a alguna sustancia que pueda corroer los componentes que contienen refrigerante, a menos que los componentes estén contruidos con materiales que sean inherentemente resistentes a la corrosión o que estén protegidos adecuadamente contra la corrosión.
- 9. Cheques a dispositivos eléctricos:** La reparación y el mantenimiento de los componentes eléctricos deben incluir controles de seguridad iniciales y procedimientos de inspección de componentes. Si existe una falla que pueda comprometer la seguridad, no se debe conectar ningún suministro eléctrico al circuito hasta que se resuelva satisfactoriamente. Si la falla no se puede corregir de inmediato, pero es necesario continuar la operación, se debe utilizar una solución temporal adecuada. Esto se informará al propietario del equipo para que se informe a todas las partes.

Los controles iniciales de seguridad incluirán:

- Que los condensadores están descargados. Esto debe hacerse de manera segura para evitar la posibilidad de chispas.
- Que no se exponen componentes eléctricos ni cableado mientras se está cargando, recuperando o purgando el sistema.
- Que hay continuidad de la unión de la tierra.

Reparaciones a componentes sellados.

1. Durante las reparaciones de componentes sellados, todos los suministros eléctricos se deben desconectar del equipo en el que se está trabajando antes de retirar las cubiertas selladas, etc. Si es absolutamente necesario contar con un suministro eléctrico al equipo durante el servicio, se debe realizar una detección permanente de fugas. se ubicará en el punto más crítico para advertir de una situación potencialmente peligrosa.
2. Para garantizar que al trabajar con componentes eléctricos, la carcasa no se altera de tal manera que el nivel de protección se vea afectado, se debe prestar especial atención a lo siguiente:
 - Daños a los cables, número excesivo de conexiones, terminales no fabricados según las especificaciones originales, daños a los sellos, ajuste incorrecto de los casquillos, etc.
 - Asegúrese de que el aparato esté montado de forma segura.
 - Asegúrese de que los sellos o materiales de sellado no se hayan degradado de manera que ya no sirvan para evitar la entrada de atmósferas inflamables. Las piezas de repuesto deben estar de acuerdo con las especificaciones del fabricante.

Nota: el uso de sellador de silicona puede inhibir la efectividad de algunos tipos de equipos de detección de fugas. Los componentes intrínsecamente seguros no tienen que estar aislados antes de trabajar en ellos.

Reparación a componentes intrínsecamente seguros.

No aplique ninguna carga inductiva o capacitiva permanente al circuito sin asegurarse de que esto no exceda el voltaje y la corriente permitidos para el equipo en uso. Los componentes intrínsecamente seguros son los únicos tipos en los que se puede trabajar mientras se vive en presencia de una atmósfera inflamable. El aparato de prueba debe estar en la clasificación correcta. Reemplace los componentes solo con partes especificadas por el fabricante. Otras partes pueden provocar la ignición de refrigerante en la atmósfera debido a una fuga.



Importantes Instrucciones de Seguridad

LEA Y SIGA TODAS LAS INSTRUCCIONES DE SEGURIDAD

Cableado

Compruebe que el cableado no esté sujeto a desgaste, corrosión, presión excesiva, vibración, bordes afilados o cualquier otro efecto ambiental adverso. La verificación también debe tener en cuenta los efectos del envejecimiento o la vibración continua de fuentes como compresores o ventiladores.

Detección de refrigerantes inflamables.

Bajo ninguna circunstancia deben utilizarse fuentes potenciales de ignición en la búsqueda o detección de fugas de refrigerante. No se debe usar una antorcha de halógenos o cualquier otro detector que use una llama desnuda.

Métodos de detección de fugas

Los siguientes métodos de detección de fugas se consideran aceptables para sistemas que contienen refrigerantes inflamables:

- Se deben usar detectores electrónicos de fugas para detectar refrigerantes inflamables, pero la sensibilidad puede no ser adecuada o puede necesitar una recalibración. El equipo de detección debe estar calibrado en un área libre de refrigerante. Asegúrese de que el detector no sea una fuente potencial de ignición y que sea adecuado para el refrigerante utilizado.
- El equipo de detección de fugas se fijará en un porcentaje del LFL del refrigerante y se calibrará para el refrigerante empleado y se confirmará el porcentaje apropiado de gas (25% máximo).
- Los fluidos de detección de fugas son adecuados para el uso con la mayoría de los refrigerantes, pero se debe evitar el uso de detergentes que contengan cloro, ya que el cloro puede reaccionar con el refrigerante y corroer el cobre o las tuberías.
- Si se sospecha una fuga, todas las llamas descubiertas deben retirarse o extinguirse.
- Si se encuentra una fuga de refrigerante que requiere soldadura fuerte, todo el refrigerante se recuperará del sistema o se aislará mediante válvulas de cierre en una parte del sistema alejada de la fuga. El nitrógeno libre de oxígeno (OFN) se purgará a través del sistema antes y durante el proceso de soldadura fuerte.

Traslado y evacuación

Al entrar en el circuito de refrigerante para realizar reparaciones o para cualquier otro propósito, se deben utilizar procedimientos convencionales. Sin embargo, es importante que se sigan las mejores prácticas ya que la inflamabilidad es una consideración. Se seguirán los siguientes procedimientos:

- Retire el refrigerante.
- Purgar el circuito con gas inerte.
- Evacuar.
- Purgar de nuevo con gas inerte.
- Abrir el circuito mediante corte o soldadura fuerte.
- La carga de refrigerante se recuperará en los cilindros de recuperación correctos. El sistema se debe lavar con OFN para que la unidad sea segura. Este proceso puede necesitar repetirse varias veces. No se debe utilizar aire comprimido ni oxígeno para esta tarea.
- El lavado se logrará rompiendo el vacío en el sistema con OFN y continuando con el llenado hasta que se alcance la presión de trabajo, luego ventilando a la atmósfera y finalmente bajando al vacío. Este proceso debe repetirse hasta que no haya refrigerante dentro del sistema. Cuando se utiliza la carga OFN final, el sistema debe descargarse a presión atmosférica para permitir que se realice el trabajo. Esta operación es absolutamente vital si se realizan operaciones de soldadura fuerte en la tubería.
- Asegúrese de que la salida de la bomba de vacío no esté cerca de ninguna fuente de ignición y que haya ventilación disponible.

Procedimientos de carga

Además de los procedimientos de carga convencionales, se deben seguir los siguientes requisitos:

- Asegúrese de que no se contamine con refrigerantes diferentes cuando utilice equipos de carga. Las mangueras o líneas deben ser lo más cortas posible para minimizar la cantidad de refrigerante que contienen.
- Los cilindros se mantendrán en posición vertical.
- Asegúrese de que el sistema de refrigeración esté conectado a tierra antes de cargar el sistema con refrigerante.
- Etiquete el sistema cuando se complete la carga, si no está ya etiquetado.
- Se debe tener mucho cuidado de no sobrecargar el sistema de refrigeración.
- Antes de recargar el sistema, se someterá a prueba de presión con OFN. El sistema debe ser probado contra fugas al finalizar la carga pero antes de la puesta en servicio. Se realizará una prueba de fugas de seguimiento antes de abandonar el sitio.



Importantes Instrucciones de Seguridad

LEA Y SIGA TODAS LAS INSTRUCCIONES DE SEGURIDAD

Desmantelamiento

Antes de llevar a cabo este procedimiento, es esencial que el técnico esté completamente familiarizado con el equipo en todo su detalle. Se recomienda una buena práctica que todos los refrigerantes se recuperen de manera segura. Antes de realizar la tarea, se debe tomar una muestra de aceite y refrigerante en caso de que se requiera un análisis antes de reutilizar el refrigerante recuperado. Es esencial que la energía eléctrica esté disponible antes de comenzar la tarea.

- A. Familiarizarse con el equipo y su funcionamiento.
- B. Sistema de aislamiento eléctrico.
- C. Antes de intentar el procedimiento, asegúrese de que:
 - El equipo de manejo mecánico está disponible si es necesario para el manejo de cilindros de refrigerante.
 - Todo el equipo de protección personal está disponible y se está utilizando correctamente.
 - El proceso de recuperación es supervisado en todo momento por una persona competente.
 - Los equipos y cilindros de recuperación cumplen con las normas apropiadas.
- D. Bombear el sistema de refrigerante, si es posible.
- E. Si no es posible un vacío, haga un colector para que se pueda eliminar el refrigerante de varias partes del sistema.
- F. Asegúrese de que el cilindro esté situado en la balanza antes de que tenga lugar la recuperación.
- G. Arranque la máquina de recuperación y opere de acuerdo con las instrucciones del fabricante.
- H. No llene en exceso los cilindros. No más del 80% de volumen de carga líquida.
- I. No exceda la presión máxima de trabajo del cilindro, ni siquiera temporalmente.
- J. Cuando los cilindros se hayan llenado correctamente y se haya completado el proceso, asegúrese de que los cilindros y el equipo se retiren del sitio rápidamente y que todas las válvulas de aislamiento del equipo estén cerradas.
- K. El refrigerante recuperado no debe cargarse en otro sistema de refrigeración a menos que se haya limpiado y revisado.

Etiquetado

El equipo debe estar etiquetado indicando que ha sido retirado del servicio y vaciado de refrigerante. La etiqueta deberá estar fechada y firmada. Asegúrese de que haya etiquetas en el equipo que indiquen que el equipo contiene refrigerante inflamable.

Recuperación

Cuando se retira refrigerante de un sistema, ya sea para servicio o cierre, se recomienda que todos los refrigerantes se eliminen de manera segura.

Cuando transfiera refrigerante a los cilindros, asegúrese de que solo se utilicen los cilindros apropiados para recuperar el refrigerante. Asegúrese de que esté disponible el número correcto de cilindros para mantener la carga total del sistema. Todos los cilindros que se utilizarán están diseñados para el refrigerante recuperado y etiquetados para ese refrigerante, es decir, cilindros especiales para la recuperación de refrigerante. Los cilindros deben estar completos con válvula de alivio de presión y válvulas de cierre asociadas en buen estado de funcionamiento. Los cilindros de recuperación vacíos se evacúan y, si es posible, se enfrían antes de que se produzca la recuperación.

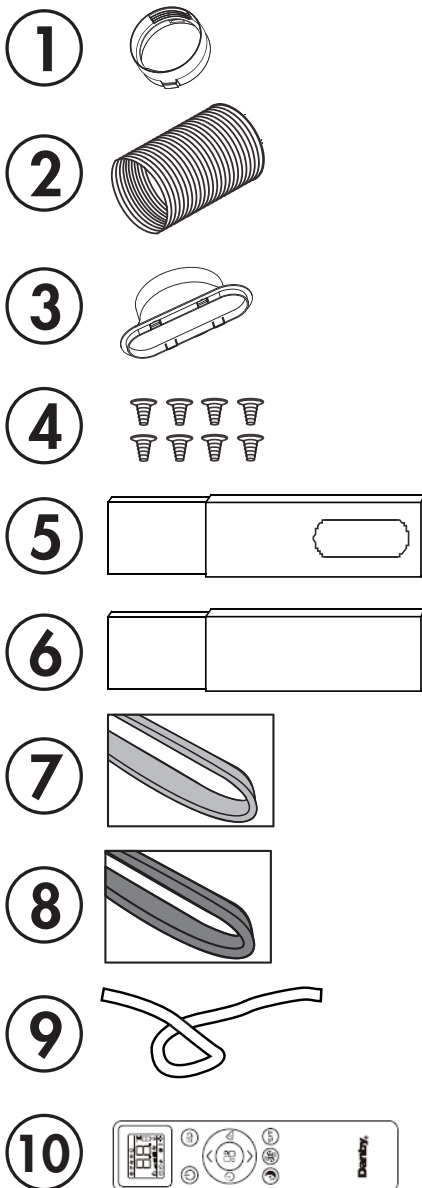
El equipo de recuperación debe estar en buen estado de funcionamiento con un conjunto de instrucciones sobre el equipo que se encuentra a mano y debe ser adecuado para la recuperación de refrigerantes inflamables. Además, un conjunto de balanzas calibradas estará disponible y en buen estado de funcionamiento. Las mangueras deben estar completas con acoplamientos de desconexión sin fugas y en buenas condiciones. Antes de usar la máquina de recuperación, verifique que esté en buen estado de funcionamiento, que se haya mantenido correctamente y que todos los componentes eléctricos asociados estén sellados para evitar la ignición en caso de una fuga de refrigerante. Consulte al fabricante en caso de duda.

El refrigerante recuperado se devolverá al proveedor de refrigerante en el cilindro de recuperación correcto y se dispondrá la nota de transferencia de residuos correspondiente. No mezcle refrigerantes en unidades de recuperación y especialmente en cilindros. Si se deben retirar los compresores o los aceites de compresores, asegúrese de que hayan sido evacuados a un nivel aceptable para asegurarse de que no quede refrigerante inflamable dentro del lubricante. El proceso de evacuación se llevará a cabo antes de devolver el compresor a los proveedores. Para acelerar este proceso solo debe emplearse calentamiento eléctrico del cuerpo del compresor. Cuando el aceite se drena de un sistema, debe llevarse a cabo de manera segura.

INSTRUCCIONES DE INSTALACIÓN

ACCESORIOS

1. Adaptador de salida de aire
2. Manguera de escape
3. Adaptador deslizante de la ventana
4. 8 tornillos
5. Ventana deslizante A y B
6. Ventana deslizante B y C
7. Junta de espuma A y B (adhesivo)
8. Junta de espuma C (no adhesiva)
9. Manguera de drenaje
10. Control remoto y baterías

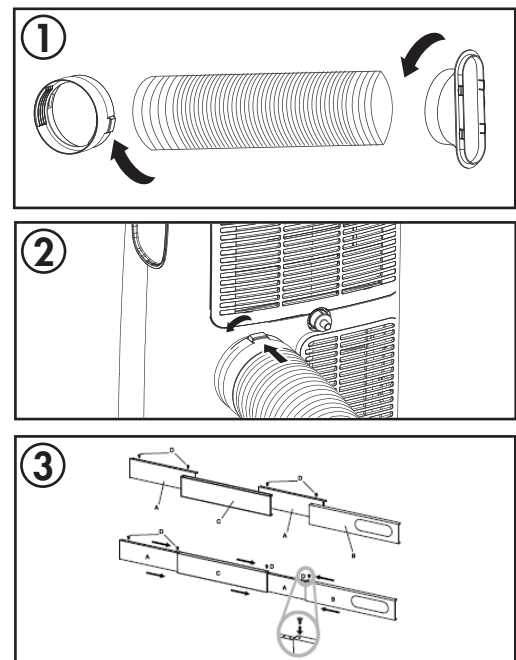


HERRAMIENTAS REQUERIDAS

1. Destornillador Phillips de tamaño mediano
2. Cinta métrica o regla
3. Cuchillo o tijeras
4. Sierra (si los deslizadores de ventana deben cortarse a la medida)

MONTAJE DEL KIT DE LA VENTANA

1. Conecte el adaptador de salida de aire y el adaptador deslizante de la ventana a cada extremo de la manguera de escape.
2. Inserte el adaptador de salida de aire en la parte posterior del aparato colocándolo sobre el escape de aire y luego empujando en la dirección de la flecha para bloquearlo.
3. Mida la abertura de la ventana donde se instalará el kit de ventana. Arme tantos controles deslizantes como sea necesario para ajustar la ventana. Si la longitud de la ventana requiere los tres controles deslizantes, use dos tornillos para sujetar los controles deslizantes en la longitud correcta. Si la abertura de la ventana es menor que la longitud mínima de un solo control deslizante, use el control deslizante que tiene el orificio y córtelo a la longitud correcta. Asegúrese de no cortar el extremo que tiene el orificio ya que es necesario para conectar el adaptador de la manguera de escape.



Importante: La manguera de drenaje solo se incluye en los modelos que incluyen el modo de calefacción.

INSTRUCCIONES DE INSTALACIÓN

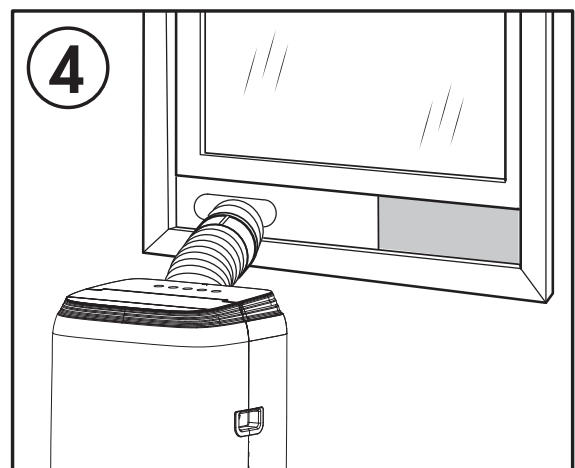
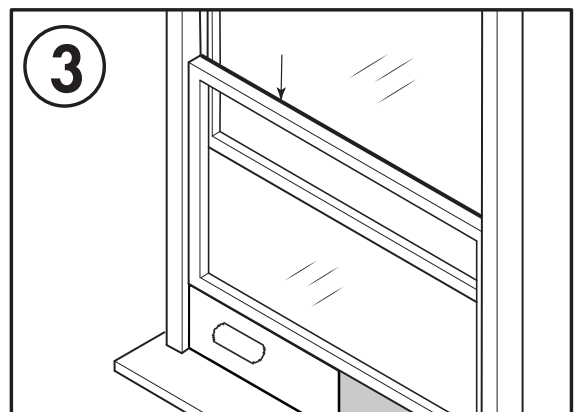
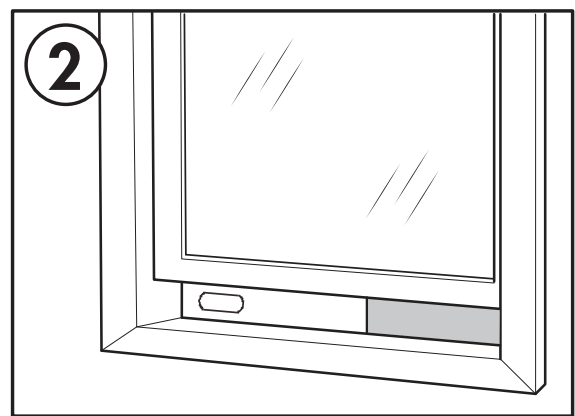
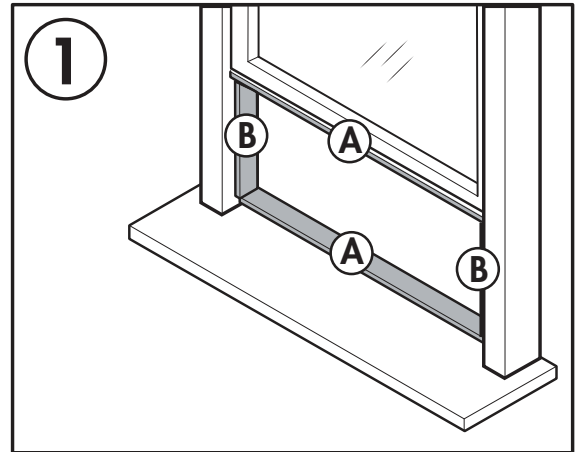
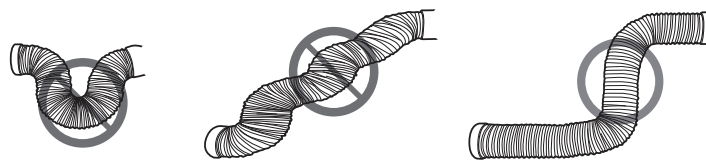
INSTALAR EL KIT DE VENTANA

El kit de ventana se puede utilizar en una ventana suspendida o en una aplicación de ventana deslizante. Las imágenes de la derecha son para una ventana colgada. Los pasos para una ventana deslizante son los mismos.

1. Corte los sellos de espuma adhesiva A y B a la longitud correcta para la ventana. Adjúntelos a la hoja y marco de la ventana como se muestra.
2. Inserte el kit deslizante de la ventana ensamblada en la abertura de la ventana.
3. Corte el sello de espuma no adhesiva C para que coincida con el ancho de la ventana. Inserte el sello de espuma entre el vidrio y el marco de la ventana para evitar que el aire y los insectos entren en la habitación.
4. Conecte el adaptador deslizante de la ventana al orificio en el kit de control deslizante de la ventana.

Nota: Puede ser más fácil colocar el adaptador del deslizador de la ventana al kit del deslizador de la ventana antes de colocarlo en la ventana.

Nota: No extienda ni doble la manguera ya que esto impedirá el flujo de aire.



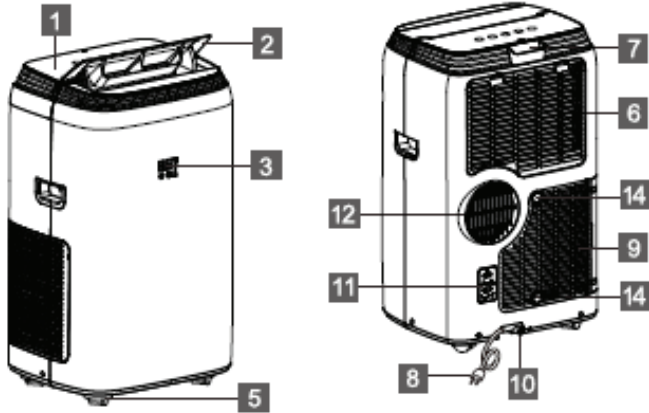
ADVERTENCIA IMPORTANTE

No deje este aparato desatendido en un espacio donde se encuentren personas o animales que no puedan reaccionar ante un mal funcionamiento. Un mal funcionamiento, como que la manguera de escape se disloque, puede causar un sobrecalentamiento extremo o la muerte en un espacio cerrado y desatendido.

INSTRUCCIONES DE OPERACIÓN

CARACTERÍSTICAS

1. Panel de control
2. Persiana
3. Monitor
4. Asa (ambos lados)
5. Ruedas
6. Toma de aire
7. Soporte de control remoto
8. Cable de alimentación
9. Rejilla de entrada
10. Drenaje del condensador
11. Fijador de tapones
12. Rejilla de salida de aire



UBICACIÓN

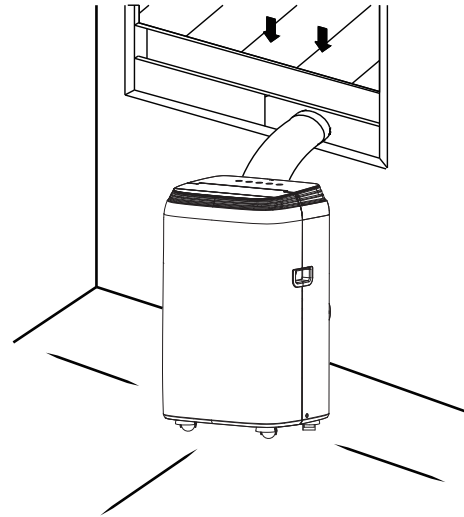
Coloque el acondicionador de aire en un piso liso y nivelado que sea lo suficientemente fuerte para soportarla y todos los accesorios incluidos.

Asegúrese de que el aparato esté nivelado para minimizar el ruido y las vibraciones.

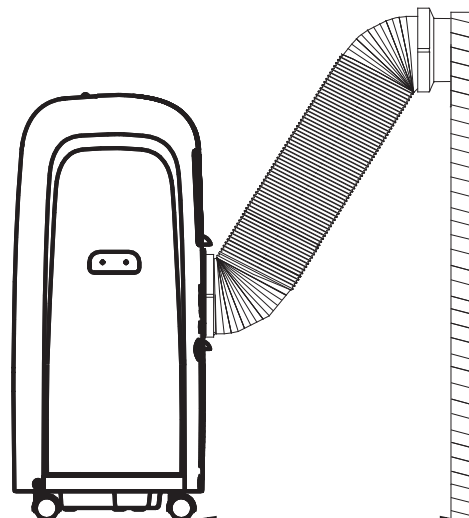
El electrodoméstico debe instalarse cerca de un receptáculo puesto a tierra y debe tener acceso a la salida de drenaje de desbordamiento en la parte posterior del electrodoméstico.

No cubra las entradas o salidas de aire ni el receptor de control remoto en el panel de control.

El aparato requiere 45 cm (17.7 pulgadas) de espacio libre en el frente y los costados.



El aparato requiere al menos 50 cm (20 pulgadas) de espacio libre en la parte posterior.

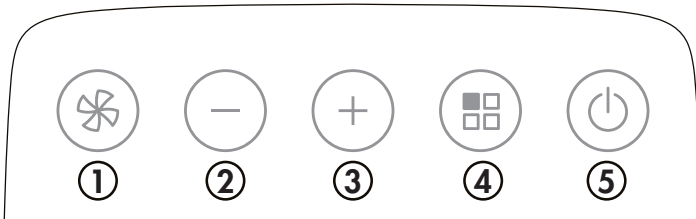


INSTRUCCIONES DE OPERACIÓN

PANEL DE CONTROL

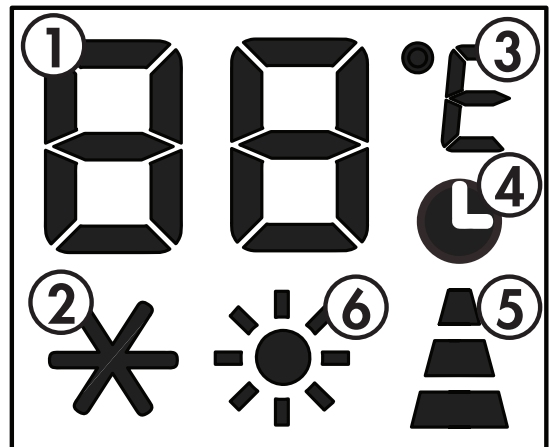
1. Botón del ventilador: Se utiliza para establecer la velocidad del ventilador; bajo, medio, alto o auto.
2. Botón de disminución: Se utiliza para disminuir la temperatura establecida.
3. Botón de aumento: Se utiliza para aumentar la temperatura establecida.
4. Botón de modo: Se utiliza para elegir el modo; Enfriar, abanicar o secar.
5. Botón de encendido: Presione para encender o apagar la unidad.

Nota: Ciertas funciones solo pueden ser accedidas a través del control remoto.



PANEL DE VISUALIZACIÓN

1. Pantalla de temperatura, tiempo e iconos.
2. Indicador de modo frío
3. Indicador de escala de temperatura
4. Indicador de temporizador
5. Indicador de velocidad del ventilador
 - El ventilador bajo se indica con una barra.
 - El abanico medio se indica con dos barras.
 - El ventilador alto se indica mediante tres barras.
 - La velocidad automática del ventilador se indica mediante barras de ciclismo.
6. Indicador de modo de calefacción (no disponible en todos los modelos)



INSTRUCCIONES DE OPERACIÓN

MODOS DE FUNCIONAMIENTO

Modo frío (cool)

- Presione el botón de modo hasta que aparezca el icono del copo de nieve en la pantalla.
- Use los botones de aumento y disminución para elegir la temperatura deseada.
- Utilice el botón del ventilador para elegir la velocidad deseada del ventilador.
- La temperatura se puede ajustar dentro de un rango de 18 a 32°C (64 a 90°F).
- La manguera de escape debe instalarse durante el modo frío para garantizar los mejores resultados.

Modo seco (dry)

- Presione el botón de modo hasta que aparezca el símbolo "dh" en la pantalla.
- La velocidad del ventilador se establecerá en automática.
- La manguera de escape debe instalarse durante el modo seco para garantizar los mejores resultados.
- Puede ser necesario instalar la manguera de drenaje continuo durante el modo de secado para eliminar el exceso de agua.

MODOS DE FUNCIONAMIENTO

Modo de ventilador (fan)

- Presione el botón de modo hasta que aparezca el icono del ventilador en la pantalla.
- Presione el botón del ventilador para elegir la velocidad deseada del ventilador: baja, media o alta.
- No es necesario instalar la manguera de escape durante el modo de ventilador.
- El modo de ventilador se puede utilizar para hacer funcionar el ventilador sin activar las funciones de enfriamiento, calefacción o deshumidificación.

Modo calor (heat)

- Presione el botón de modo hasta que aparezca el icono del sol en la pantalla.
- Use los botones de aumento y disminución para elegir la temperatura deseada.
- Presione el botón del ventilador para elegir la velocidad deseada del ventilador.
- La temperatura se puede ajustar dentro de un rango de 13 a 27°C (55 a 81°F).
- La manguera de escape debe instalarse durante el modo de calefacción para garantizar los mejores resultados.
- Puede ser necesario instalar la manguera de drenaje continuo durante el modo de calefacción para eliminar el exceso de agua.
- El modo de calefacción no está disponible en todos los modelos.

INSTRUCCIONES DE OPERACIÓN

FUNCIÓN DE TEMPORIZADOR

La función de temporizador se puede usar para encender o apagar el aparato después de un período de tiempo para ahorrar energía.

Para configurar el temporizador para apagar el aparato:

1. Mientras el aparato está funcionando, presione el botón del temporizador. La pantalla de tiempo parpadeará.
2. Presione el botón del temporizador para elegir la cantidad de horas antes de que se apague el aparato.
3. Espere 5 segundos para confirmar el ajuste. El icono del temporizador se iluminará.

Para configurar el temporizador para encender el aparato:

1. Encienda el aparato y elija el modo y la configuración que desee. Apague el aparato.
2. Mientras el aparato está apagado, presione el botón del temporizador. La pantalla de tiempo parpadeará.
3. Presione el botón del temporizador para elegir la cantidad de horas antes de que se encienda el aparato.
4. Espere 5 segundos para confirmar el ajuste. El icono del temporizador se iluminará.

Notas: Al encender o apagar el aparato en cualquier momento o ajustar la configuración del temporizador a 0 horas, se cancelará la configuración del temporizador.

BLOQUEO INFANTIL

El bloqueo para niños se puede activar presionando los botones de control de temperatura en el control remoto al mismo tiempo durante 3 segundos. Los botones del control remoto no se pueden usar mientras el bloqueo para niños está activo. Para desactivar el bloqueo para niños, mantenga presionados los botones de control de temperatura al mismo tiempo durante 3 segundos.

El bloqueo para niños solo se puede activar o desactivar con el mando a distancia.

INSTRUCCIONES DE OPERACIÓN

FUNCIÓN DEL SUEÑO

La función de reposo se puede utilizar para conservar energía durante las horas de sueño. Esta función se puede utilizar durante el modo de frío y calor.

Cuando se selecciona en modo frío, la temperatura establecida aumentará 1 grado por hora durante 2 horas. El aparato mantendrá la nueva temperatura establecida durante 6 horas antes de volver automáticamente al funcionamiento normal.

Cuando se selecciona en el modo de calor, la temperatura establecida disminuirá en 1 grado por hora durante 3 horas. El aparato mantendrá la nueva temperatura establecida durante 5 horas antes de volver automáticamente al funcionamiento normal.

La función de suspensión solo se puede activar con el control remoto y se puede cancelar en cualquier momento presionando el botón de suspensión.

FUNCIÓN SÍGUEME

La función Sígueme solo se puede activar desde el control remoto.

El control remoto tiene un termostato en su interior. Mantenga el control remoto y el aire acondicionado ajustará automáticamente la temperatura establecida en función de la temperatura ambiente en su ubicación.

La distancia máxima para la función Sígueme es de 8 metros (26 pies). Esta función está disponible en los modos frío y automático.

Para activar Sígueme, presione el botón turbo y luego presione los botones de control de temperatura hasta que aparezca el icono Sígueme en la pantalla y luego presione el botón turbo para confirmar la selección.

La pantalla del control remoto mostrará la temperatura ambiente real en su ubicación. El control remoto enviará una señal al aire acondicionado cada 20 minutos para actualizar la temperatura establecida. Si el aire acondicionado no recibe una señal del control remoto durante un período de 25 minutos, la función Sígueme se desactivará.

Para desactivar Sígueme, presione el botón turbo y luego presione los botones de control de temperatura hasta que el icono Sígueme parpadee en la pantalla y luego presione el botón turbo para confirmar la selección.

INSTRUCCIONES DE OPERACIÓN

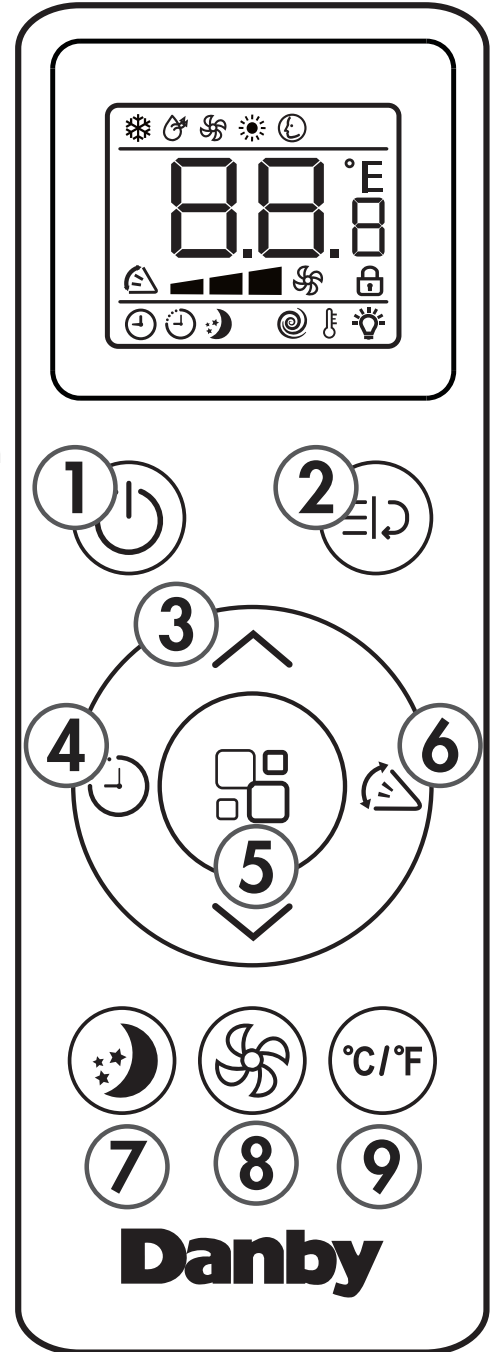
CONTROL REMOTO

1. Botón de encendido: se utiliza para encender o apagar el dispositivo.
2. Botón Turbo: la función turbo no está disponible en este modelo.
3. Botones de control de temperatura; se utilizan para aumentar o disminuir la temperatura establecida.
4. Botón del temporizador: se utiliza para configurar la función del temporizador.
5. Botón de modo: se utiliza para elegir el modo.
6. Botón de oscilación: la función de oscilación no está disponible en este modelo.
7. Botón de suspensión: se utiliza para configurar la función de suspensión.
8. Botón de ventilador: se utiliza para configurar la velocidad del ventilador.
9. Botón °C/°F: se utiliza para cambiar la escala de temperatura entre Celsius y Fahrenheit.

Nota: El control remoto funcionará dentro de un rango de 7 metros (23 pies) del aparato.

PANTALLA DE CONTROL REMOTO

La pantalla digital del control remoto mostrará los siguientes símbolos. Tenga en cuenta que es posible que no todas las funciones estén disponibles en su modelo. Si intenta utilizar una función que su modelo no admite, el aparato pasará por defecto al modo de ventilador.



	COOL		SLEEP
	DRY		Timer ON
	FAN		Timer OFF
	HEAT		Fan speed
	SMART		Turbo
	SWING		Child lock

INSTRUCCIONES DE OPERACIÓN

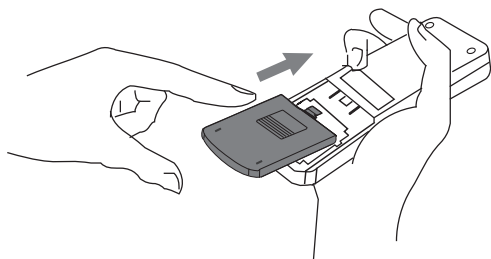
REEMPLAZO DE LAS BATERÍAS REMOTAS

Este aire acondicionado viene con dos pilas AAA. Coloque las pilas en el control remoto antes de usarlas.

1. Deslice la cubierta posterior desde el control remoto hacia abajo para exponer el compartimiento de la batería.
2. Inserte las baterías, asegúrese de que coincidan los símbolos (+) y (-) en los extremos de las baterías con los símbolos dentro del compartimiento de la batería.
3. Deslice la tapa de la batería de nuevo en su lugar.

Notas:

- El aire acondicionado no responderá si las cortinas, puertas u otros materiales bloquean la señal del control remoto a la unidad.
- Evite que cualquier líquido entre en contacto con el control remoto. No esponga el control remoto a la luz solar directa ni al calor.
- Si el receptor de señal infrarroja en la unidad interior está expuesto a la luz solar directa, es posible que el aire acondicionado no funcione correctamente. Use cortinas para evitar que la luz del sol caiga sobre el receptor.
- No mezcle pilas nuevas y viejas o pilas de diferentes tipos.
- No deje las baterías en el control remoto si no va a utilizarlas durante más de 2 meses.



Este equipo ha sido probado y cumple con los límites para un dispositivo digital de Clase B, de acuerdo con la Parte 15 de las Reglas de la FCC. Estos límites están diseñados para proporcionar una protección razonable contra interferencias dañinas en una instalación residencial. Este equipo genera, utiliza y puede irradiar energía de radiofrecuencia y, si no se instala y utiliza de acuerdo con las instrucciones, puede causar interferencia perjudicial a las comunicaciones de radio. Sin embargo, no hay garantía de que no se produzcan interferencias en una instalación en particular.

Si este equipo causa interferencias perjudiciales a la recepción de radio o televisión, lo que puede determinarse apagando y encendiendo el equipo, se recomienda al usuario que intente corregir la interferencia mediante una o más de las siguientes medidas:

1. Reorientar o reubicar la antena receptora
2. Aumente la separación entre el equipo y el receptor
3. Conecte el equipo a una toma de corriente en un circuito distinto al que está conectado el receptor
4. Consulte con el distribuidor o con un técnico de radio / TV experimentado para obtener ayuda.

Los cambios o modificaciones no aprobados por la parte responsable del cumplimiento de la FCC podrían anular la autoridad del usuario para operar el equipo. Este aparato cumple con la Parte 15 de las Reglas de la FCC.

El funcionamiento está sujeto a las siguientes condiciones:

1. Este dispositivo no puede causar interferencias perjudiciales.
2. Este dispositivo debe aceptar cualquier interferencia recibida, incluida la interferencia que pueda causar un funcionamiento no deseado.

Este dispositivo cumple con las normas canadienses CAN ICES-3 (B) / NMB-3 (B)

IMPORTANTE

No deseche las baterías como desechos municipales no clasificados. Consulte las leyes locales para la eliminación adecuada de las baterías.

INSTRUCCIONES DE OPERACIÓN

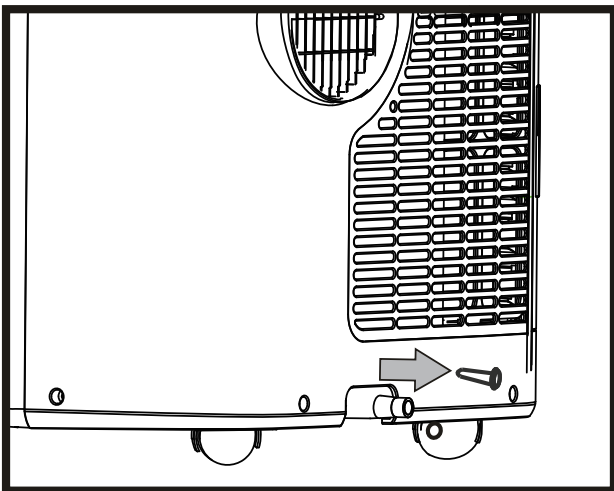
EL DRENAJE DEL AGUA

Cuando el recipiente de drenaje interno se llene, el aparato emitirá un pitido 8 veces y la pantalla digital mostrará el código de error "Ft". La acción de aire acondicionado o deshumidificación se detendrá, pero el ventilador puede continuar funcionando.

Hay dos métodos para drenar el agua del aparato.

1. Tapón de drenaje

1. Apague el aparato y desenchúfelo de la fuente de alimentación.
2. Mueva con cuidado el aparato a un lugar donde pueda drenarse el agua.
3. Retire el tapón de drenaje y deje que el agua se drene por completo.
4. Vuelva a colocar el tapón de drenaje inferior, presionando firmemente para asegurar un ajuste apretado y sin fugas.
5. El símbolo de error "Ft" desaparecerá y el aparato reanudará la función normal una vez que se restablezca la alimentación.



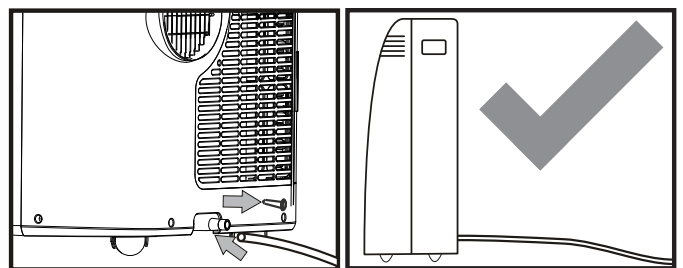
2. Drenaje Continuo

Durante el modo de secado, es posible que desee configurar la opción de drenaje continuo para que el aparato drene automáticamente el agua recolectada. Asegúrese de que el aparato esté apagado y desenchufado de la fuente de alimentación antes de instalar la manguera de drenaje.

Retire el tapón de drenaje y conecte la manguera de drenaje que se proporcionó con el aparato. Asegúrese de que no haya dobleces o dobles en la manguera de drenaje, ya que esto puede evitar que el agua se drene.

Coloque el extremo abierto de la manguera de desagüe sobre el receptáculo en el que se drenará el aparato; Esto podría ser un drenaje del piso del sótano, un fregadero o similar.

Recuerde que no hay bomba de drenaje en este aparato, el drenaje continuo se activa solo por gravedad. Asegúrese de que la manguera de drenaje vaya directamente hacia el piso desde la conexión de drenaje. Si la manguera no se coloca directamente hacia abajo, el agua no se drenará correctamente.



CUIDADO Y MANTENIMIENTO

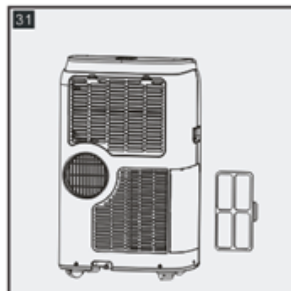
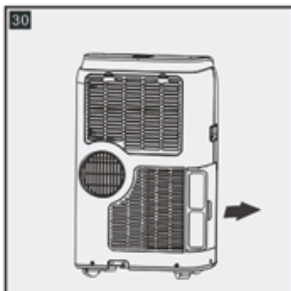
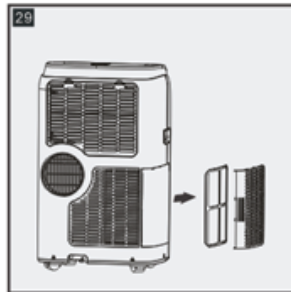
LIMPIEZA

- Desconecte el aparato antes de limpiarlo o repararlo.
- Limpie el gabinete con un paño húmedo tibio y detergente neutro. Seque el gabinete con un paño seco sin pelusa.
- No utilice gasolina, diluyente de pintura u otros productos químicos para limpiar el aparato.
- No lave el aparato directamente debajo de un grifo o con una manguera. Puede causar daños eléctricos.

FILTRO DE AIRE

El filtro de aire debe limpiarse cada dos semanas para garantizar un rendimiento eficiente.

En los hogares con animales, los filtros de aire pueden necesitar ser limpiados con más frecuencia y las parrillas externas pueden necesitar ser limpiadas para evitar el flujo de aire bloqueado.



ALMACENAMIENTO A LARGO PLAZO

1. Vacíe todo el agua del aparato.
2. Haga funcionar el aparato en modo ventilador durante medio día en una habitación caliente para secar el interior del aparato y evitar la formación de moho.
3. Apague el aparato y desenchúfelo, enrolle el cable y fíjelo con cinta adhesiva.
4. Retire las pilas del mando a distancia.
5. Limpie los filtros de aire y vuelva a instalarlos.
6. Guarde el aparato en un lugar fresco y oscuro. La exposición prolongada a la luz solar directa o al calor extremo puede acortar la vida útil del aparato.

ELIMINACIÓN DE DESECHOS

Este aparato no debe ser tratado como una basura doméstica normal. Compruebe la conformidad reglamentaria local con respecto a la eliminación aprobada y segura de este aparato.

No deseche las baterías como residuos municipales sin clasificar. Consulte las leyes locales para la correcta eliminación de las baterías.

CÓDIGOS DE ERROR

Lt - baja temperatura: el aparato hará una pausa en el funcionamiento si se forma hielo en la estructura interna; El aparato reanudará su funcionamiento normal automáticamente cuando el hielo se derrita.

PF - falla del sensor: desenchufe el aparato durante 5 minutos para restablecer los sensores internos; Si el código de error persiste después de volver a enchufar el aparato, comuníquese con Atención al Consumidor para obtener información de servicio.

Ft - La bandeja de agua está llena - conecte la manguera de drenaje y drene el exceso de agua.

PREGUNTAS FRECUENTES

¿Puedo dejar mi aire acondicionado en su lugar durante el invierno?

No se recomienda.

¿Cuáles son las potencias y amperios estándar que se utilizan?

La información relacionada con vatios y amperios se puede encontrar en la placa de clasificación ubicada en el costado de la unidad.

¿Cuándo debo usar la manguera de escape?

La manguera de escape debe usarse en los modos frío, seco, calor y automático. No es necesario en modo ventilador.

¿Puedo usar un cable de extensión?

No, no se puede usar un cable de extensión.

¿Puedo extender la longitud de la manguera de escape?

No. La unidad se diseñó teniendo en cuenta la longitud de la manguera y solo se ha probado en esas condiciones. En su lugar, use un ventilador adicional para soplar aire frío a otras ubicaciones.

¿Cuándo debo usar la manguera de desagüe?

La manguera de drenaje debe usarse en modo calor, modo seco o si usa el drenaje continuo.

¿De dónde dreño el agua?

El agua sale del puerto de drenaje. Si no está utilizando el drenaje continuo, la bandeja interna se drena desde la salida inferior.

Olor

El olor es causado por la formación de moho o hongos en las superficies internas. Esto puede suceder cuando hay mala circulación de aire, un filtro sucio o el aire acondicionado no se usó durante un período de tiempo.

- Asegúrese de que el filtro esté limpio.
- Haga funcionar la unidad en modo ventilador para eliminar la humedad interna.
- Compruebe si hay obstrucciones en las líneas de drenaje y asegúrese de que no haya obstrucciones.

Por favor reinicie su unidad. Desconéctelo y vuelva a enchufarlo después de 15-20 minutos. Esto permite que la unidad se caliente y drene si hay escarcha que detiene el drenaje y vuelve a la configuración de fábrica.

Para el olor en una unidad, sugerimos usar una tableta de algicida. Primero debe apagar la unidad, quitar la rejilla inferior y el filtro de la rejilla en la base de la unidad y luego colocar la tableta en la base.

SOLUCIÓN DE PROBLEMAS

El aparato no funciona

- El enchufe no está completamente insertado en el tomacorriente de pared
- Fusible o disyuntor quemado

Refrigeración insuficiente

- El filtro de aire está sucio
- Flujo de aire bloqueado
- El tamaño del aparato es demasiado pequeño para la aplicación

Ruido

- El suelo no está nivelado
- El filtro de aire está sucio o bloqueado
- Los sonidos de gorgoteo son normales, se trata de refrigerante que se mueve dentro del aparato

Olores

- Formación del molde en superficies mojadas internas
- Coloque una tableta de alguicida en la bandeja base; asegúrese de que el aparato esté desenchufado, retire la rejilla superior y el filtro, coloque la tableta en la bandeja de agua intermedia y reemplace la rejilla y el filtro

GARANTÍA LIMITADA "A DOMICILIO"

Este producto de calidad está garantizado contra defectos de fabricación, incluyendo partes y mano de obra, siempre y cuando la unidad se utilice bajo las condiciones normales de funcionamiento para las que fue diseñado. Esta garantía está solamente disponible para la persona que haya comprado originalmente esta unidad directamente de Danby Products Limited (Canada) o Danby Products Inc. (U.S.A.) (en adelante "Danby") o uno de sus distribuidores autorizados, y no es transferible.

CONDICIONES DE LA GARANTÍA

Las piezas plásticas, se autorizan por treinta (30) días solamente a partir de la fecha de la compra, sin las extensiones proporcionadas.

Primeros 24 meses Durante los primeros **veinticuatro (24) meses**, cualquier parte en buen estado de este producto que resulte defectuosa, incluyendo cualquier sistema sellado, será reparado o reemplazado, a opción del fabricante, sin cargo para el comprador original.

Para obtener servicio Comuníquese con el distribuidor donde haya comprado la unidad, o llame al Taller de Servicio Autorizado más cercano, donde debe ser reparada por un técnico calificado. Si esta unidad es reparada en otro lugar que no sea un Taller de Servicio Autorizado, o si la unidad se utiliza para aplicaciones comerciales, Danby no se hará responsable de ninguna forma y la garantía será anulada.

Límites del servicio técnico a domicilio Danby se reserva el derecho de limitar la cobertura de "Servicio en Domicilio" sujeto a la proximidad de un **Taller de Servicio Autorizado**. Para todo artefacto que requiera servicio fuera del área limitada de "Servicio en Domicilio", el cliente será responsable por transportar dicho artefacto hasta el Taller de Servicio Autorizado más cercano. Si el electrodoméstico está instalado en un lugar que se encuentra a **100 kilómetros (62 millas)** o más del centro de servicios más cercano, se debe llevar la unidad al Centro de servicios Danby autorizado más cercano, ya que dicho servicio sólo puede realizarlo un técnico calificado y certificado por Danby para prestar servicios de garantía.

Los cargos por transporte desde y hacia el lugar en que se efectúe el servicio técnico no están cubiertos por esta garantía y son de responsabilidad del comprador.

Nada dentro de esta garantía implica que Danby será responsable por cualquier daño que hayan sufrido los alimentos u otros contenidos de este aparato, ya sea debido a un defecto del aparato, o su uso, adecuado o inadecuado.

EXCLUSIONES

Salvo lo aquí indicado por Danby, no existen otras garantías, condiciones o representaciones, explícitas o implícitas, concretas o intencionales por parte de Danby o sus distribuidores autorizados y todas las demás garantías, condiciones o representaciones, incluyendo cualquier garantía, condiciones o representaciones bajo cualquier Acta de Venta de Productos o legislación o estatuto similar, quedan de esta forma expresamente excluidas. **Salvo lo aquí indicado, Danby no serán responsables por ningún daño a personas o bienes, incluyendo la propia unidad, sin importar su causa, o de ningún daño indirecto causado por el desperfecto de la unidad, y al comprar esta unidad, el comprador acepta por la presente, indemnizar y proteger a Danby contra cualquier reclamo por daños a personas o bienes causados por la unidad.**

CONDICIONES GENERALES

No se considerará ninguna de estas garantías o seguros cuando el daño o la necesidad de reparación sea el producto de los siguientes casos:

- 1) Falla del suministro eléctrico.
- 2) Daños en tránsito o durante el transporte de la unidad.
- 3) Alimentación incorrecta, como bajo voltaje, instalación eléctrica defectuosa o fusibles inadecuados.
- 4) Accidente, modificación, abuso o uso incorrecto del artefacto, tal como insuficiente ventilación del ambiente o condiciones de operación anormales (temperatura ambiente extremadamente alta o baja).
- 5) Utilización comercial o industrial (v.g., si el electrodoméstico no está instalado en una vivienda particular).
- 6) Incendio, daños por agua, robo, guerra, disturbios, hostilidades, actos de fuerza mayor como huracanes, inundaciones, etc.
- 7) Pedidos de servicio debido a desinformación del usuario.
- 8) Instalación inadecuada (v.g., instalación empotrada de un electrodoméstico diseñado como unidad independiente o uso de un electrodoméstico al aire libre que no esté aprobado para dicho fin, incluyendo pero no limitado a: garajes, patios, porches o en cualquier lugar que no esté bien aislado o controlado por el clima).

Se requerirá una prueba de la fecha de compra para reclamaciones de garantía; Retener las facturas de venta. En el caso de que se requiera servicio de garantía, presente el comprobante de compra a nuestro depósito de servicio autorizado.

Servicio de Garantía
Servicio en Domicilio

Danby Products Limited
PO Box 1778, Guelph, Ontario, Canada N1H 6Z9
Telephone: (519) 837-0920 FAX: (519) 837-0449

1-800-263-2629
04/17

Danby Products Inc.
PO Box 669, Findlay, Ohio, U.S.A. 45840
Telephone: (419) 425-8627 FAX: (419) 425-8629



Danby Products Limited, Guelph, ON, Canada N1H 6Z9
Danby Products Inc., Findlay, Ohio, USA 45840