



DEHUMIDIFIER Owner's Manual.....	1 - 10
DÉSHUMIDIFICATEUR Manuel du propriétaire.....	11 - 20
DESHUMIDIFICADOR Manual del propietario.....	21 - 30

MODEL • MODÈLE • MODELO

DDR050BJPWDB-ME
DDR050BJPWDB-ME-6

Welcome to the Danby family.

We are proud of our quality products and we believe in dependable service. We suggest that you read this owner's manual before plugging in your new appliance as it contains important operation information, safety information, troubleshooting, and maintenance tips to ensure the reliability and longevity of your appliance.

You are entitled to the warranty coverage as described in the owner's manual provided with your new appliance.

1. Please write down your appliance information below. **You must keep the original proof of purchase receipt to validate and receive warranty services.**
2. Register your product online and receive a **FREE 2 MONTH WARRANTY EXTENSION** after filling out a product survey, at www.danby.com/support/product-registration/

Model Number: _____

Serial Number: _____

Date of Purchase: _____

Need Help?

1. Read your Owner's Manual for installation help, troubleshooting, and maintenance assistance.
2. Visit www.Danby.com to access self-service tools, FAQs and much more by searching your model number in the search bar.
3. For the **Quickest Customer Service**, please fill out the web form at www.danby.com/support. Your submission will go directly to an expert on your particular appliance. Our average response times are between 20 minutes and 2 hours, during EST business hours.
4. Call **1-800-263-2629** - please note that during peak hours, hold times can exceed one hour.



Important Safety Information

READ AND FOLLOW ALL SAFETY INSTRUCTIONS

SAFETY REQUIREMENTS

This appliance is not intended for use by persons (including children) whose physical, sensory or mental capabilities may be different or reduced, or who lack experience or knowledge, unless such persons receive supervision or training to operate the appliance by a person responsible for their safety.

Children should be supervised to ensure that they do not play with the appliance.

To avoid risk of electric shock, do not operate this dehumidifier in an area that is likely to accumulate standing water. If this condition develops, disconnect the power supply before stepping into the water.

Do not store or use combustible materials such as gasoline or other flammable vapors or liquids in the vicinity of this or any other appliance.

Do not insert fingers or other objects into grills or openings in the appliance.

Do not cover or block the intake and exhaust openings.

Do not operate the appliance without the filter installed.

Do not operate the appliance near heat sources.

This appliance is intended for indoor, residential applications only. Do not use this dehumidifier outdoors. Do not use this dehumidifier for commercial or industrial applications.

GROUNDING INSTRUCTIONS

This appliance must be grounded. Grounding reduces the risk of electrical shock by providing an escape wire for the electrical current.

This appliance has a cord that has a grounding wire with a 3-prong plug. The power cord must be plugged into an outlet that is properly grounded. If the outlet is a 2-prong wall outlet, it must be replaced with a properly grounded 3-prong wall outlet. The serial rating plate indicates the voltage and frequency the appliance is designed for.

WARNING - Improper use of the grounding plug can result in a risk of electric shock. Consult a qualified electrician or service agent if the grounding instructions are not completely understood, or if doubt exists as to whether the appliance is properly grounded.

Do not connect the appliance to extension cords, adapters or together with another appliance in the same wall outlet.

Do not splice the power cord. Do not under any circumstances cut or remove the third ground prong from the power cord.

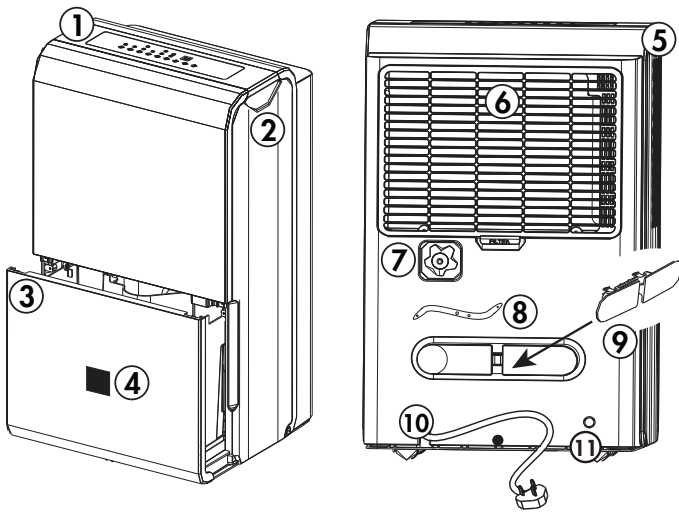
If the power supply cord is damaged, it must be replaced by the manufacturer, its service agent or similar qualified person in order to avoid hazard.

SAVE THESE INSTRUCTIONS!

OPERATING INSTRUCTIONS

FEATURES

1. Control panel
2. Handles (both sides)
3. Water bucket
4. Water level indicator
5. Air outlet
6. Air filter
7. Continuous drain outlet
8. Power cord storage strap
9. Power cord storage band
10. Power cord
11. Pump drain outlet

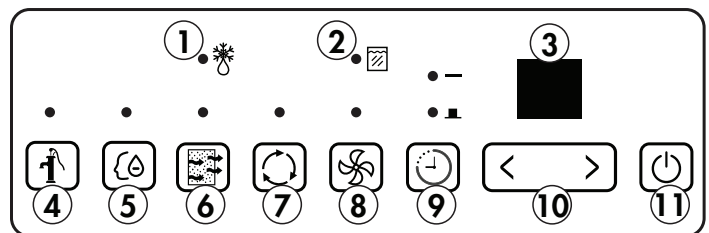


INCLUDED ACCESSORIES

- Power cord storage band
- Pump drain hose (1 pc)
- Drain hose (insulated) (1 pc)
- Drain hose connector (1 pc)

CONTROL PANEL

1. **Auto defrost light:** The light will illuminate when frost builds up on the evaporator coils. The compressor will cycle off and the fan will continue to run until the frost melts.
2. **Bucket full light:** The light will illuminate when the bucket is full or incorrectly positioned inside the cabinet. The compressor and fan operation will stop as a safety feature. When the bucket is emptied or correctly re-positioned the dehumidifier will resume operation automatically.
3. **Display:** Shows the actual ($\pm 5\%$ accuracy) room humidity level in a range of 30% to 90%. Otherwise, displays selection when programming humidity or timer.
4. **Pump button:** Press to activate the drain pump. Ensure that a drain hose is connected before starting the pump.
5. **Smart dehumidify:** This function will automatically adjust the humidity level with the fluctuating room temperatures. The humidity level cannot be adjusted in this setting, it will stabilize between 45% - 55%. Press the humidity adjust buttons to cancel this feature.
6. **Filter button:** The check filter light will illuminate after 250 hours of operation. After cleaning the filter, press the filter button to turn off the light.
7. **Continuous button:** Press to activate the continuous dehumidifying operation.
8. **Fan button:** Press to select normal or high fan speed. The light will illuminate when set to high fan speed.
9. **Timer button:** Press to set the timer.
10. **Humidity adjust buttons:** The humidity level can be set within a range of 35% to 85% relative humidity in 5% increments. For drier air, set to a lower percentage value. For more damp air, set a higher percentage value.
11. **Power button:** Press to turn the dehumidifier on or off.



OPERATING INSTRUCTIONS

OPERATION

- Place the dehumidifier on a smooth, level floor that is strong enough to support the appliance with a full bucket of water.
- Do not place the dehumidifier on carpeting as this can block air flow around the appliance. Do not force casters to move over carpeting as the appliance can become unbalanced and spill water.
- To maintain efficiency, operate the appliance in an enclosed area. Keep nearby doors and windows closed.
- Maintain a minimum clearance of 40 cm (16 inches) around the air outlets and 20 cm (8 inches) on other sides of the appliance to allow for proper air circulation.
- The recommended ambient operating temperature is between 5°C (41°F) and 32°C (90°F).
- Any time the appliance is placed on its back or side, it must be allowed to stand upright for 6 hours before plugging in to avoid damage to internal components.
- The default setting is 40% and high fan speed. Depending on conditions the dehumidifier may not start automatically under the default setting. This means the ambient humidity is less than 40%. Press the humidity adjust buttons to lower the set humidity until the it is lower than the ambient humidity.
- For optimal performance, ensure that the humidity setting is 10% lower than the ambient humidity. It is normal for the ambient humidity to vary up to 5% above or below the set humidity.
- It is recommended in normal conditions to set the humidity between 40-45%.
- It is normal for the dehumidifier to exhaust warm air from the air outlet.
- The power cord storage band can be found in the water bucket and it can be installed by pressing it onto the back of the cabinet until it clicks.

TIMER

Auto Off

1. When the dehumidifier is turned on, press the timer button to activate the auto off timer.
2. Press the humidity adjust buttons to change the set time in 0.5 hour increments up to 10 hours and then in 1 hour increments up to 24 hours.

Auto On

1. When the dehumidifier is turned off, press the timer button to activate the auto on timer.
2. Press the humidity adjust buttons to change the set time in 0.5 hour increments up to 10 hours and then in 1 hour increments up to 24 hours.

Using Auto On and Auto Off Together

The auto on and auto off timers can be used at the same time by first setting one and then the other.

For example, if the dehumidifier is running, you can set the auto off timer to let it run for a set amount of time before turning off and then set the auto on timer to turn it back on at a later time.

Or, if the dehumidifier is not running, you can set the auto on timer to turn it on at a later time and then set the auto off timer to shut it off after running for a period of time.

Note: The timer will not cycle the dehumidifier on and off indefinitely. The auto on and auto off timers will function one time and then the dehumidifier will return to regular functioning.

Turning the dehumidifier on or off at any time or changing the timer setting to 0.0 will cancel the timer settings.

OPERATING INSTRUCTIONS

WATER REMOVAL

There are three ways to remove collected water from the appliance.

1. Water Bucket

The dehumidifier will automatically collect condensed water in the water bucket. When the bucket is full, the compressor and fan will turn off and the full bucket indicator light will turn on. The display will show "P2".

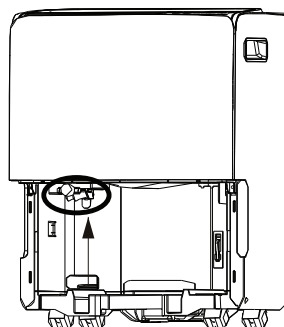
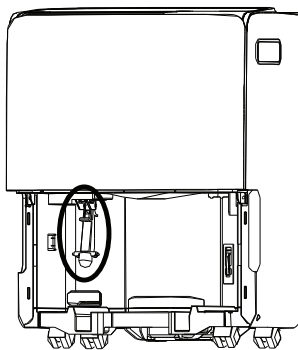
To empty the bucket, gently remove it from the appliance by gripping both sides and pulling outward. Be cautious when removing the bucket, it will be full and can be heavy.

Do not place the water bucket directly on the floor. The bottom of the bucket is uneven and it will fall over and spill water.

Empty the bucket and replace it in the appliance. The dehumidifier will not function without the bucket installed.

Never tamper with or attempt to defeat the water level float system. Proper installation of the water bucket is crucial in maintaining reliable operation.

Note: When removing the bucket, the pump arm for the drain pump may fall down. It must be gently pushed upward back into the correct position before replacing the bucket.



2. Continuous Drain

Water can be removed using the provided connector and drain hose.

Before using any automatic drain functions, check that all drain ports are clean. There is one drain port inside the bucket compartment of the appliance, remove the bucket to see it. There is one drain port on the back of the appliance where the drain hose attaches. All drain ports should be cleaned with a pipe cleaner prior to use.

Remove the cover from the continuous drain outlet and attach the provided connector and drain hose to the back of the appliance. Direct the other end of the drain hose to a bucket or floor drain.

Ensure that the drain hose is not bent and goes straight down from the back of the appliance. The continuous drain is only activated by gravity so any bends or upward motion in the hose will stop the water from draining.

The drain hose is 2 m (6.6 feet) long. Do not connect this drain hose together with any other hose. If the drain hose is too long water may not drain completely which can lead to stagnant water and mildew build up inside the hose.

Notes:

- Do not clean the drain ports with anything more rigid than a pipe cleaner as this can damage the appliance.
- If the drain ports are clogged or dirty it can cause water to leak from the bottom of the appliance.
- The continuous drain is fed by gravity alone.

OPERATING INSTRUCTIONS

WATER REMOVAL

3. Pump Drain

If the continuous drain is inconvenient, water can be removed from the appliance using the pump drain.

When using the pump, the appliance will first fill the bucket with water and then the pump arm will pump water from the bucket through the drain and out the hose.

Remove the continuous drain hose from the unit and rotate back plastic cover to the continuous drain hose outlet clockwise.

Peel off the fixed tape, insert the pump drain hose into the pump drain hose outlet for depth of 15 mm at least, and make sure the hose is secure so there are no leaks.

Direct the other end of the hose to a drain. Press the pump button to activate the pump function. When the bucket is full, the pump will begin to work.

Ensure that the drain hose is not bent, this can stop the water from draining correctly and overwork the pump.

Do not connect the provided hose together with another hose. The maximum length of the pump drain hose should be no more than 4.6 m (15 feet). If the drain hose is too long water may not drain completely which can lead to stagnant water and mildew build up inside the hose.

When using the pump drain, the water bucket should be emptied every few days to ensure that the water in the bucket does not become stagnant or grow mildew.

To remove the hose, press inward on the ring around the drain and pull the hose outward.

Important: If the drain pump is activated, water will exit the drain whether a hose is attached or not. Ensure that the drain pump is deactivated when the hose is removed to avoid damage to floor due to leaking water.

CARE & MAINTENANCE

AIR FILTER

The air filter should be cleaned approximately every 2 weeks. The air filter may require more frequent cleaning if there is significant dander or fur in the air.

Approximately every two weeks, the filter indicator light on the control panel will illuminate as a reminder to clean the filter. Follow the steps below to clean the filter and return the appliance to normal functioning.

1. The air filter is located behind the rear intake grill. To remove the air filter, grasp the filter tab on the bottom of the grill and slide it downward.
2. Use a vacuum cleaner with a soft brush attachment to remove any large debris or dust build up from the air filter.
3. Wash the filter in lukewarm, soapy water, below 40°C (104°F), or use a neutral cleaning agent.
4. Rinse the filter with clean water and dry thoroughly before reinstalling in the appliance.
5. Press the filter button on the control panel to resume normal functioning.

Note: Do not operate the appliance without the air filter installed.

ERROR CODES

If the display panel shows any of the below error codes, unplug the appliance, let it stand for 5-10 minutes and then plug it back in. If the error persists, call for service.

AS - Humidity sensor error

ES - Temperature sensor error

P2 - Full bucket

Eb - bucket removed or not in the correct position

CLEANING

To avoid possible electric shock, ensure that the appliance is unplugged before performing any cleaning or maintenance.

The outside of the appliance can be wiped clean with a soft cloth or with a lukewarm, damp cloth if necessary.

Do not use gasoline, benzene, thinner or any other chemicals to clean this appliance as these substances can cause damage to the finish and deformation of plastic parts.

Never pour water directly onto the appliance as this will cause deterioration of electrical components and wiring insulation.

Ensure that the drain ports on the interior of the appliance and the drain ports on the back of the appliance are free of dirt and calcium build up.

END OF SEASON CARE

Unplug the dehumidifier and ensure the filter is clean. Ensure the bucket is empty and then allow both the bucket and the dehumidifier to dry completely before storing for the off season. It could take a few days for water inside the dehumidifier to completely evaporate. You can speed up this process by wiping the bucket with a dry cloth and ensuring the lower drain of the dehumidifier has been emptied. Store the dehumidifier covered in a dry location.

DISPOSAL

This appliance may not be treated as regular household waste, it should be taken to the appropriate waste collection point for recycling of electrical components. Check for local regulatory compliance regarding approved and safe disposal of this appliance.

FREQUENTLY ASKED QUESTIONS

What is the best humidity setting?

We recommend setting your dehumidifier between 40-45%.

Is the air that comes out of the dehumidifier supposed to be hot?

Yes, usually this air feels warm.

Why isn't the dehumidifier collecting any water?

There may not be enough humidity in your environment or the relative humidity might be set higher than ambient humidity.

Does the fan run continuously?

In continuous mode, the fan will run continuously.
In smart dehumidify mode or manual mode the fan will cycle on and off.

Can I use an extension cord?

No, the dehumidifier is built to operate using the power cord provided.

Does the timer cycle on and off forever?

The on and off timers can be used at the same time however, they will only cycle one time and then resume normal functioning.

How do I hook up my direct drain?

Remove the cover from the continuous drain outlet and attach the provided connector and drain hose to the back of the appliance. Direct the other end of the drain hose to a bucket or floor drain.

Does the filter light come on when it is dirty?

The filter light comes on automatically after about 250 hours of use even if the filter is clean. Clean the filter and then press the filter button to turn the filter light off.

What is the plastic piece in the bucket?

This rounded piece is called a buckle and is clipped on to the back of the dehumidifier. It is used to wrap the power cord during long term storage of the dehumidifier.

TROUBLESHOOTING

Appliance will not operate

- Plug is not fully inserted into the wall outlet
- Blown fuse or circuit breaker
- Ambient humidity is lower than the set humidity
- Bucket is full or is not in the proper position

Insufficient dehumidifying

- Air filter is dirty
- Blocked air flow
- Appliance size is too small for application
- Ambient humidity is lower than the set humidity

Noise

- Air filter is dirty
- Bucket is not in proper position
- Floor surface is not level

Odors

- Formation of mold or mildew on internal wet surfaces
- Place an algæcide tablet in the water bucket

Water on floor

- Hose connection is loose
- Drain cover has been removed

Frost build up

- When ambient temperature is below 5°C (41°F) frost may form
- Switch the appliance to fan only mode until the frost melts

LIMITED "CARRY IN" WARRANTY

This quality product is warranted to be free from manufacturer's defects in material and workmanship, provided that the unit is used under the normal operating conditions intended by the manufacturer.

This warranty is available only to the person to whom the unit was originally sold by Danby Products Limited (Canada) or Danby Products Inc. (U.S.A.) (hereafter "Danby") or by an authorized distributor of Danby, and is non-transferable.

TERMS OF WARRANTY

Plastic parts are warranted for thirty (30) days from the date of purchase, with no extensions provided.

First 24 months During the first **twenty four (24) months**, any functional parts of this product found to be defective, will be repaired or replaced, at warrantor's option, at no charge to the original purchaser.

To obtain service Contact the dealer where the unit was purchased, or contact the nearest authorized Danby service depot, where service must be performed by a qualified service technician. If service is performed on the unit by anyone other than an authorized service depot, all obligations of Danby under this warranty shall be void.

It is the responsibility of the purchaser to transport the appliance to the nearest authorized service depot.

Transportation charges to and from the service location are not protected by this warranty and are the responsibility of the purchaser.

Nothing within this warranty shall imply that Danby will be responsible or liable for any spoilage or damage to food or other contents of this appliance, whether due to any defect of the appliance, or its use, whether proper or improper.

EXCLUSIONS

Save as herein provided, by Danby, there are no other warranties, conditions, representations or guarantees, express or implied, made or intended by Danby or its authorized distributors and all other warranties, conditions, representations or guarantees, including any warranties, conditions, representations or guarantees under any Sale of Goods Act or like legislation or statute is hereby expressly excluded. Save as herein provided, **Danby shall not be responsible for any damages to persons or property, including the unit itself, howsoever caused or any consequential damages arising from the malfunction of the unit and by the purchase of the unit, the purchaser does hereby agree to indemnify and hold harmless Danby from any claim for damages to persons or property caused by the unit.**

GENERAL PROVISIONS

No warranty or insurance herein contained or set out shall apply when damage or repair is caused by any of the following:

- 1) Power failure.
- 2) Damage in transit or when moving the appliance.
- 3) Improper power supply such as low voltage, defective house wiring or inadequate fuses.
- 4) Accident, alteration, abuse or misuse of the appliance such as inadequate air circulation in the room or abnormal operating conditions (ie. extremely high or low room temperature).
- 5) Use for commercial or industrial purposes (ie. If the appliance is not installed in a domestic residence).
- 6) Fire, water damage, theft, war, riot, hostility, acts of God such as hurricanes, floods etc.
- 7) Service calls resulting in customer education.
- 8) Improper Installation (ie. Building-in of a free standing appliance or using an appliance outdoors that is not approved for outdoor application, including but not limited to: garages, patios, porches or anywhere that is not properly insulated or climate controlled).

Proof of purchase date will be required for warranty claims; retain bills of sale. In the event that warranty service is required, present the proof of purchase to our authorized service depot.

Warranty Service
Carry In

Danby Products Limited
PO Box 1778, Guelph, Ontario, Canada N1H 6Z9
Telephone: (519) 837-0920 FAX: (519) 837-0449

1-800-263-2629
04/17

Danby Products Inc.
PO Box 669, Findlay, Ohio, U.S.A. 45840
Telephone: (419) 425-8627 FAX: (419) 425-8629

Bienvenue dans la famille Danby.

Nous sommes fiers de nos produits de qualité et nous croyons en un service fiable. Nous vous suggérons de lire ce manuel du propriétaire avant de brancher votre nouvel appareil car il contient des informations de fonctionnement importantes, des informations de sécurité, des conseils de dépannage et d'entretien pour assurer la fiabilité et la longévité de votre appareil.

Vous avez droit à la couverture de la garantie décrite dans le manuel du propriétaire fourni avec votre nouvel appareil.

1. Veuillez noter ci-dessous les informations relatives à votre appareil. Vous devez conserver la preuve d'achat originale pour valider et bénéficier des services de garantie.
2. Enregistrez votre produit en ligne et recevez une **PROLONGATION DE GARANTIE GRATUITE DE 2 MOIS** après avoir rempli une enquête sur les produits, à l'adresse www.danby.com/support/product-registration/

Numéro de modèle : _____

Numéro de série : _____

Date d'achat : _____

Besoin d'assistance?

1. Lisez votre manuel du propriétaire pour obtenir de l'aide à l'installation, au dépannage et à la maintenance.
2. Visitez www.Danby.com pour accéder aux outils en libre-service, aux FAQ et bien plus encore en recherchant votre numéro de modèle dans la barre de recherche.
3. Pour bénéficier du **service client le plus rapide**, veuillez remplir le formulaire Web à l'adresse www.danby.com/support. Votre soumission ira directement à un expert de votre appareil particulier. Nos temps de réponse moyens sont compris entre 20 minutes et 2 heures, pendant les heures ouvrables EST.
4. Composez le **1-800-263-2629** - veuillez noter que pendant les heures de pointe, les temps d'attente peuvent dépasser une heure.



Informations importantes de sécurité

LIRE ET SUIVRE TOUTES LES INSTRUCTIONS DE SÉCURITÉ

EXIGENCES DE SÉCURITÉ

Cet appareil n'est pas destiné à être utilisé par des personnes (y compris des enfants) dont les capacités physiques, sensorielles ou mentales peuvent être différentes ou réduites, ou qui n'ont pas d'expérience ou de connaissances, à moins que ces personnes ne soient surveillées ou formées pour faire fonctionner l'appareil par une personne responsable de leur sécurité.

Les enfants devraient être surveillés pour s'assurer qu'ils ne jouent pas avec l'appareil.

Pour éviter tout risque de choc électrique, ne pas utiliser ce déshumidificateur dans une zone susceptible d'accumuler de l'eau stagnante. Si cette condition se développe, débranchez l'alimentation avant de pénétrer dans l'eau.

Ne pas stocker ou utiliser des matériaux combustibles tels que de l'essence ou d'autres vapeurs ou liquides inflammables à proximité de ce ou d'un autre appareil.

Ne pas insérer de doigts ou d'autres objets dans des grilles ou des ouvertures dans l'appareil.

Ne pas couvrir ou bloquer les ouvertures d'admission et d'échappement.

N'utilisez pas l'appareil sans le filtre installé.

N'utilisez pas l'appareil à proximité de sources de chaleur.

Cet appareil est destiné uniquement à des applications résidentielles et intérieures. N'utilisez pas ce déshumidificateur à l'extérieur. N'utilisez pas ce déshumidificateur pour des applications commerciales ou industrielles.

INSTRUCTIONS DE MISE À LA TERRE

Cet appareil doit être mis à la terre. La mise à la terre réduit le risque de choc électrique en fournissant un câble d'échappement pour le courant électrique.

Cet appareil possède un cordon doté d'un fil de mise à la terre avec une fiche à 3 broches. Le cordon d'alimentation doit être branché sur une prise correctement mise à la terre. Si la sortie est une prise murale à 2 broches, elle doit être remplacée par une prise murale à 3 broches correctement mise à la terre. La plaque signalétique en série indique la tension et la fréquence auxquelles l'appareil est conçu.

AVERTISSEMENT - L'utilisation incorrecte de la fiche de mise à la terre peut entraîner un risque d'électrocution. Consultez un électricien qualifié ou un agent de service si les instructions de mise à la terre ne sont pas complètement comprises, ou s'il existe un doute quant à savoir si l'appareil est correctement mis à la terre.

Ne branchez pas l'appareil à des rallonges, des adaptateurs ou à un autre appareil dans la même prise murale.

Ne pas épisser le cordon d'alimentation. Ne coupez ou retirez en aucun cas la troisième broche du cordon d'alimentation.

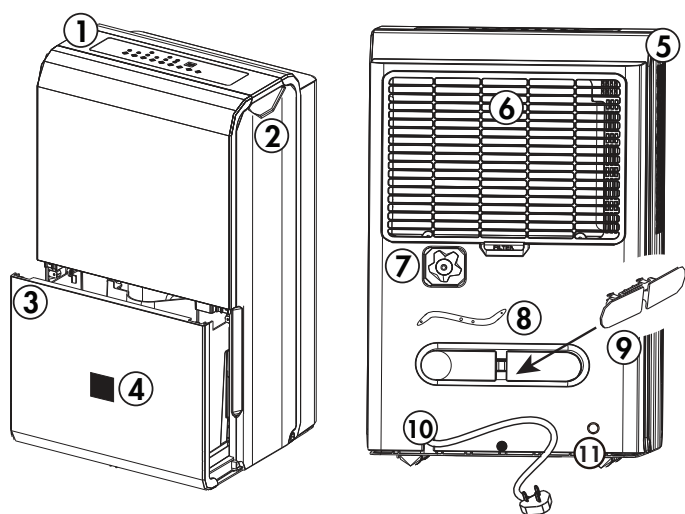
Si le cordon d'alimentation est endommagé, il doit être remplacé par le fabricant, son agent de maintenance ou une personne qualifiée similaire afin d'éviter tout risque.

GARDEZ CES INSTRUCTIONS!

INSTRUCTIONS D'UTILISATION

CARACTÉRISTIQUES

1. Panneau de configuration
2. Poignées (des deux côtés)
3. Seau d'eau
4. Indicateur de niveau d'eau
5. Sortie d'air
6. Filtre à air
7. Sortie de vidange continue
8. Sangle de rangement du cordon d'alimentation
9. Bande de rangement du cordon d'alimentation
10. Cordon d'alimentation
11. Sortie de vidange de la pompe

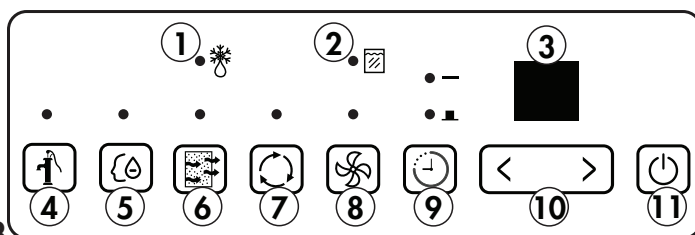


ACCESSOIRES INCLUS

- Bande de rangement du cordon d'alimentation
- Tuyau de vidange de pompe (1 pc)
- Tuyau de vidange (isolé) (1 pc)
- Connecteur de tuyau de vidange (1 pc)

PANNEAU DE CONTRÔLE

1. **Voyant de dégivrage automatique** : le voyant s'allume lorsque le givre s'accumule sur les serpentins de l'évaporateur. Le compresseur s'arrêtera et le ventilateur continuera de fonctionner jusqu'à ce que le givre fonde.
2. **Seau plein de lumière** : le voyant s'allume lorsque le seau est plein ou mal positionné à l'intérieur de l'armoire. Le fonctionnement du compresseur et du ventilateur s'arrêtera par mesure de sécurité. Lorsque le seau est vidé ou correctement repositionné, le déshumidificateur reprend automatiquement son fonctionnement.
3. **Affichage** : affiche le niveau d'humidité de la pièce réel (précision de $\pm 5\%$) dans une plage de 30% à 90%. Sinon, affiche la sélection lors de la programmation de l'humidité ou de la minuterie.
4. **Bouton de la pompe** : appuyez pour activer la pompe de vidange. Assurez-vous qu'un tuyau de vidange est connecté avant de démarrer la pompe.
5. **Déshumidification intelligente** : cette fonction ajuste automatiquement le niveau d'humidité en fonction des fluctuations de la température ambiante. Le niveau d'humidité ne peut pas être ajusté dans ce paramètre, il se stabilisera entre 45% et 55%. Appuyez sur les boutons de réglage de l'humidité pour annuler cette fonction.
6. **Bouton filtre** : le voyant de vérification du filtre s'allumera après 250 heures de fonctionnement. Après avoir nettoyé le filtre, appuyez sur le bouton du filtre pour éteindre la lumière.
7. **Bouton continu** : appuyez pour activer l'opération de déshumidification continue.
8. **Bouton ventilateur** : appuyez pour sélectionner une vitesse de ventilation normale ou élevée. Le voyant s'allume lorsqu'il est réglé sur une vitesse de ventilation élevée.
9. **Bouton de la minuterie** : appuyez pour régler la minuterie.
10. **Boutons de réglage de l'humidité** : le niveau d'humidité peut être réglé dans une plage de 35% à 85% d'humidité relative par incréments de 5%. Pour un air plus sec, réglez sur une valeur de pourcentage inférieure. Pour un air plus humide, définissez une valeur de pourcentage plus élevée.
11. **Bouton d'alimentation** : appuyez pour allumer ou éteindre le déshumidificateur.



INSTRUCTIONS D'UTILISATION

OPÉRATION

- Placez le déshumidificateur sur un sol lisse et de niveau suffisamment solide pour supporter l'appareil avec un seau rempli d'eau.
- Ne placez pas le déshumidificateur sur une moquette car cela pourrait bloquer la circulation de l'air autour de l'appareil. Ne forcez pas les roulettes à se déplacer sur la moquette car l'appareil pourrait se déséquilibrer et renverser de l'eau.
- Pour maintenir l'efficacité, faites fonctionner l'appareil dans une zone fermée. Gardez les portes et fenêtres à proximité fermées.
- Maintenez un espace minimum de 40 cm (16 pouces) autour des sorties d'air et de 20 cm (8 pouces) sur les autres côtés de l'appareil pour permettre une bonne circulation de l'air.
- La température ambiante de fonctionnement recommandée est comprise entre 5°C (41°F) et 32°C (90°F).
- Chaque fois que l'appareil est placé sur le dos ou sur le côté, il doit être laissé debout pendant 6 heures avant de le brancher pour éviter d'endommager les composants internes.
- Le réglage par défaut est 40% et une vitesse de ventilation élevée. Selon les conditions, le déshumidificateur peut ne pas démarrer automatiquement avec le réglage par défaut. Cela signifie que l'humidité ambiante est inférieure à 40%. Appuyez sur les boutons de réglage de l'humidité pour abaisser l'humidité réglée jusqu'à ce qu'elle soit inférieure à l'humidité ambiante.
- Pour des performances optimales, assurez-vous que le réglage d'humidité est 10% inférieur à l'humidité ambiante. Il est normal que l'humidité ambiante varie jusqu'à 5% au-dessus ou en dessous de l'humidité réglée.
- Il est recommandé dans des conditions normales de régler l'humidité entre 40 et 45%.
- Il est normal que le déshumidificateur évacue l'air chaud de la sortie d'air.
- La bande de rangement du cordon d'alimentation se trouve dans le seau d'eau et peut être installée en la pressant à l'arrière de l'armoire jusqu'à ce qu'elle s'enclenche.

MINUTEUR

Arrêt automatique

1. Lorsque le déshumidificateur est allumé, appuyez sur le bouton de la minuterie pour activer la minuterie d'arrêt automatique.
2. Appuyez sur les boutons de réglage de l'humidité pour modifier l'heure réglée par incréments de 0,5 heure jusqu'à 10 heures, puis par incréments de 1 heure jusqu'à 24 heures.

Allumage automatique

1. Lorsque le déshumidificateur est éteint, appuyez sur le bouton de la minuterie pour activer la minuterie de mise en marche automatique.
2. Appuyez sur les boutons de réglage de l'humidité pour modifier l'heure réglée par incréments de 0,5 heure jusqu'à 10 heures, puis par incréments de 1 heure jusqu'à 24 heures.

Utilisation simultanée de l'allumage et de l'extinction automatiques

Les minuteries d'allumage automatique et d'extinction automatique peuvent être utilisées en même temps en réglant d'abord l'une, puis l'autre.

Par exemple, si le déshumidificateur est en marche, vous pouvez régler la minuterie d'arrêt automatique pour la laisser fonctionner pendant une durée définie avant de s'éteindre, puis régler la minuterie de mise en marche automatique pour la réactiver ultérieurement.

Ou, si le déshumidificateur ne fonctionne pas, vous pouvez régler la minuterie de mise en marche automatique pour l'allumer plus tard, puis régler la minuterie d'arrêt automatique pour qu'elle s'éteigne après avoir fonctionné pendant un certain temps.

Remarque : La minuterie ne mettra pas le déshumidificateur en marche et à l'arrêt indéfiniment. Les minuteries d'allumage automatique et d'extinction automatique fonctionneront une fois, puis le déshumidificateur retournera au fonctionnement normal.

Allumer ou éteindre le déshumidificateur à tout moment ou changer le réglage de la minuterie à 0.0 annulera les réglages de la minuterie.

INSTRUCTIONS D'UTILISATION

ELIMINATION D'EAU

Il existe trois façons d'éliminer l'eau collectée de l'appareil.

1. Seau d'eau

Le déshumidificateur collectera automatiquement l'eau condensée dans le seau d'eau. Lorsque le seau est plein, le compresseur et le ventilateur s'éteignent et le voyant du seau complet s'allume. L'écran affiche "P2".

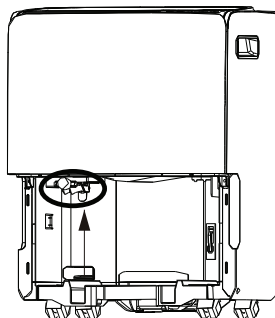
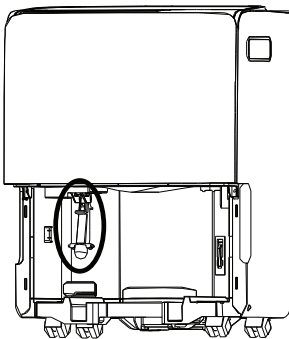
Pour vider le seau, retirez-le doucement de l'appareil en agrippant les deux côtés et en tirant vers l'extérieur. Soyez prudent lors de l'enlèvement du seau, il sera plein et peut être lourd.

Ne placez pas le seau à eau directement sur le sol. Le fond du seau est inégal et il tombera et déversera de l'eau.

Videz le seau et remettez-le dans l'appareil. Le déshumidificateur ne fonctionnera pas sans le godet installé.

Ne jamais modifier ni tenter de neutraliser le système de flotteur de niveau d'eau. Une installation correcte du seau d'eau est cruciale pour maintenir un fonctionnement fiable.

Remarque: Lorsque vous retirez le seau, le bras de pompe pour la pompe de vidange peut tomber. Il doit être repoussé doucement vers le haut dans la position correcte avant de remplacer le seau.



2. Drain continu

L'eau peut être éliminée à l'aide du connecteur et du tuyau de vidange fournis.

Avant d'utiliser les fonctions de vidange automatique, vérifiez que tous les orifices de vidange sont propres. Il y a un orifice de vidange à l'intérieur du compartiment du seau de l'appareil, retirez le seau pour le voir. Il y a un orifice de vidange à l'arrière de l'appareil où le tuyau de vidange se fixe. Tous les orifices de vidange doivent être nettoyés avec un cure-pipe avant utilisation.

Retirez le couvercle de la sortie de vidange continue et fixez le connecteur et le tuyau de vidange fournis à l'arrière de l'appareil. Dirigez l'autre extrémité du tuyau de vidange vers un seau ou un siphon de sol.

Assurez-vous que le tuyau de vidange n'est pas plié et descend directement de l'arrière de l'appareil. La vidange continue n'est activée que par gravité, de sorte que tout cintrage ou mouvement ascendant du tuyau empêchera l'eau de s'écouler.

Le tuyau de vidange mesure 2 m (6,6 pieds) de long. Ne connectez pas ce tuyau de vidange avec un autre tuyau. Si le tuyau de vidange est trop long, l'eau peut ne pas s'écouler complètement, ce qui peut entraîner une accumulation d'eau stagnante et de moisissure à l'intérieur du tuyau.

Remarques :

- Ne nettoyez pas les orifices de vidange avec quelque chose de plus rigide qu'un cure-pipe car cela pourrait endommager l'appareil.
- Si les orifices de vidange sont obstrués ou sales, de l'eau peut s'échapper du bas de l'appareil.
- Le drain continu est alimenté uniquement par gravité.

INSTRUCTIONS D'UTILISATION

ELIMINATION D'EAU

3. Vidange de pompe

Si la vidange continue n'est pas pratique, l'eau peut être évacuée de l'appareil à l'aide de la vidange de la pompe.

Lors de l'utilisation de la pompe, l'appareil remplira d'abord le seau d'eau, puis le bras de la pompe pompera l'eau du seau à travers le drain et hors du tuyau.

Retirez le tuyau de vidange continu de l'unité et faites pivoter le couvercle en plastique vers la sortie du tuyau de vidange continue dans le sens des aiguilles d'une montre.

Découpez le ruban adhésif fixe, insérez le tuyau de vidange de la pompe dans la sortie du tuyau de vidange de la pompe sur une profondeur d'au moins 15 mm et assurez-vous que le tuyau est bien fixé pour qu'il n'y ait pas de fuite.

Dirigez l'autre extrémité du tuyau vers un drain. Appuyez sur le bouton de la pompe pour activer la fonction de la pompe. Lorsque le seau est plein, la pompe commence à fonctionner.

Assurez-vous que le tuyau de vidange n'est pas plié, cela peut empêcher l'eau de s'écouler correctement et surcharger la pompe.

Ne connectez pas le tuyau fourni avec un autre tuyau. La longueur maximale du tuyau de vidange de la pompe ne doit pas dépasser 4,6 m (15 pieds). Si le tuyau de vidange est trop long, l'eau peut ne pas s'écouler complètement, ce qui peut entraîner une accumulation d'eau stagnante et de moisissure à l'intérieur du tuyau.

Lors de l'utilisation de la vidange de la pompe, le seau d'eau doit être vidé tous les quelques jours pour s'assurer que l'eau dans le seau ne stagne pas et ne moisit pas.

Pour retirer le tuyau, appuyez vers l'intérieur sur l'anneau autour du drain et tirez le tuyau vers l'extérieur.

Important: Si la pompe de vidange est activée, l'eau sortira du drain, qu'un tuyau soit fixé ou non. Assurez-vous que la pompe de vidange est désactivée lorsque le tuyau est retiré pour éviter d'endommager le sol en raison d'une fuite d'eau.

SOINS ET MAINTENANCE

FILTRE À AIR

Le filtre à air doit être nettoyé environ toutes les 2 semaines. Le filtre à air peut nécessiter un nettoyage plus fréquent si il y a un choc important ou de la fourrure dans l'air.

Environ toutes les deux semaines, le voyant du filtre sur le panneau de commande s'allume comme un rappel pour nettoyer le filtre. Suivez les étapes ci-dessous pour nettoyer le filtre et retournez l'appareil au fonctionnement normal.

1. Le filtre à air est situé derrière la grille d'admission arrière. Pour retirer le filtre à air, saisissez la languette du filtre au bas de la grille et faites-la glisser vers le bas.
2. Utilisez un aspirateur avec une brosse douce pour enlever les grands débris ou la poussière du filtre à air.
3. Lavez le filtre dans de l'eau tiède savonneuse, inférieure à 40°C (104°F), ou utilisez un agent de nettoyage neutre.
4. Rincez le filtre avec de l'eau propre et séchez bien avant de le réinstaller dans l'appareil.
5. Appuyez sur le bouton de filtrage sur le panneau de commande pour reprendre le fonctionnement normal.

Remarque: Ne faites pas fonctionner l'appareil sans le filtre à air installé.

CODES D'ERREUR

Si le panneau d'affichage affiche l'un des codes d'erreur ci-dessous, débranchez l'appareil, laissez reposer pendant 5 à 10 minutes, puis rallumez-le. Si l'erreur persiste, appelez pour le service.

AS - Erreur du capteur d'humidité

ES - Erreur du capteur de température

P2 - Seau plein

Eb - godet retiré ou pas dans la bonne position

NETTOYAGE

Pour éviter tout risque d'électrocution, assurez-vous que l'appareil est débranché avant d'effectuer un nettoyage ou une maintenance.

L'extérieur de l'appareil peut être nettoyé avec un chiffon doux ou avec un chiffon tiède et humide si nécessaire.

N'utilisez pas d'essence, de benzène, de diluant ou d'autres produits chimiques pour nettoyer cet appareil car ces substances peuvent endommager l'enduit et la déformation des pièces en plastique.

Ne versez jamais d'eau directement sur l'appareil, car cela entraînera une détérioration des composants électriques et de l'isolation des câbles.

Assurez-vous que les orifices de vidange à l'intérieur de l'appareil et les orifices de vidange à l'arrière de l'appareil sont exempts de saleté et d'accumulation de calcium.

SOINS POUR LA FIN DE SAISON

Débranchez le déshumidificateur et assurez-vous que le filtre est propre. Assurez-vous que le seau est vide, puis laissez le seau et le déshumidificateur sécher complètement avant de les ranger pour la saison morte. L'eau à l'intérieur du déshumidificateur peut prendre quelques jours pour s'évaporer complètement. Vous pouvez accélérer ce processus en essuyant le seau avec un chiffon sec et en vous assurant que le drain inférieur du déshumidificateur a été vidé. Rangez le déshumidificateur couvert dans un endroit sec.

ÉLIMINATION

Cet appareil ne doit pas être considéré comme un ordures ménagères, mais il doit être pris au point approprié de collecte des déchets pour le recyclage des composants électriques. Vérifiez la conformité réglementaire locale concernant l'élimination approuvée et sûre de cet appareil.

QUESTIONS FRÉQUEMMENT POSÉES

Quel est le meilleur réglage d'humidité?

Nous vous recommandons de régler votre déshumidificateur entre 40 et 45%.

L'air qui sort du déshumidificateur est-il censé être chaud?

Oui, cet air est généralement chaud.

Pourquoi le déshumidificateur ne recueille-t-il pas d'eau?

Il se peut qu'il n'y ait pas assez d'humidité dans votre environnement ou que l'humidité relative soit réglée plus haut que l'humidité ambiante.

Le ventilateur fonctionne-t-il en continu?

En mode continu, le ventilateur fonctionnera en continu. En mode de déshumidification intelligente ou en mode manuel, le ventilateur se met en marche et s'arrête.

Puis-je utiliser une rallonge?

Non, le déshumidificateur est conçu pour fonctionner avec le cordon d'alimentation fourni.

La minuterie est-elle allumée et éteinte pour toujours?

Les minuteries de marche et d'arrêt peuvent être utilisées en même temps, cependant, elles ne fonctionneront qu'une seule fois et reprendront ensuite le fonctionnement normal.

Comment raccorder mon drain direct?

Retirez le couvercle de la sortie de vidange continue et fixez le connecteur et le tuyau de vidange fournis à l'arrière de l'appareil. Dirigez l'autre extrémité du tuyau de vidange vers un seau ou un siphon de sol.

Le voyant du filtre s'allume-t-il lorsqu'il est sale?

Le voyant du filtre s'allume automatiquement après environ 250 heures d'utilisation, même si le filtre est propre. Nettoyez le filtre, puis appuyez sur le bouton du filtre pour éteindre le voyant du filtre.

Quelle est la pièce en plastique dans le seau?

Cette pièce arrondie s'appelle une boucle et se clipse à l'arrière du déshumidificateur. Il est utilisé pour envelopper le cordon d'alimentation pendant le stockage à long terme du déshumidificateur.

DÉPANNAGE

L'appareil ne fonctionnera pas

- La fiche n'est pas complètement insérée dans la prise murale
- Fusible ou disjoncteur grillé
- L'humidité ambiante est inférieure à l'humidité réglée
- Le godet est plein ou n'est pas dans la bonne position

Déshumidification insuffisante

- Le filtre à air est sale
- Flux d'air bloqué
- La taille de l'appareil est trop petite pour l'application
- L'humidité ambiante est inférieure à l'humidité réglée

Bruit

- Le filtre à air est sale
- Le godet n'est pas en bonne position
- La surface du sol n'est pas de niveau

Les odeurs

- Formation de moisissure ou de moisissure sur les surfaces internes humides
- Placez un comprimé d'algicide dans le seau d'eau

Eau au sol

- Le raccordement du tuyau est desserré
- Le couvercle du drain a été retiré

Accumulation de givre

- Lorsque la température ambiante est inférieure à 5°C (41°F), du givre peut se former
- Mettez l'appareil en mode ventilation uniquement jusqu'à ce que le givre fonde

GARANTIE LIMITÉE « EN ATELIER »

Cet appareil de qualité est garanti exempt de tout vice de matière première et de fabrication, s'il est utilisé dans les conditions normales recommandées par le fabricant.

Cette garantie n'est offerte qu'à l'acheteur initial de l'appareil vendu par Danby Products Limited (Canada) ou Danby Products Inc. (É.-U.) (ci-après « Danby ») ou par l'un des ses distributeurs agréés et elle ne peut être transférée.

CONDITIONS

Les pièces en plastique sont garanties pendant trente (30) jours seulement à partir de la date de l'achat, sans aucune prolongation prévue.

Premiers 24 mois Pendant les premiers **vingt quatre (24) mois**, toutes les pièces fonctionnelles de ce produit qui s'avèrent défectueuses seront réparées ou remplacées, selon le choix du garant, sans frais à l'acheteur initial.

Pour obtenir un service Contactez le revendeur où l'appareil a été acheté ou contactez le dépôt de service Danby autorisé le plus proche, où le service doit être effectué par un technicien de service qualifié. Si le service est effectué sur l'appareil par une personne autre qu'un dépôt de service autorisé, toutes les obligations de Danby en vertu de cette garantie seront annulées.

Il est de la responsabilité de l'acheteur de transporter l'appareil vers le dépôt de service agréé le plus proche.

Les frais de transport entre votre domicile et le lieu de l'entretien ne sont pas couverts par la présente garantie et doivent être acquittés par l'acheteur.

Aucune partie de la garantie ne prévoit implicitement que le fabricant sera tenu responsable des dommages subis par les aliments ou d'autres types de contenu, qu'ils soient causés par la défectuosité de l'appareil ou par son usage adéquat ou inadéquat.

EXCLUSIONS

En vertu de la présente, il n'existe aucune autre garantie, condition ou représentation, qu'elle soit exprimée ou tacite, de façon manifeste ou intentionnelle, par Danby ou ses distributeurs agréés. De même, sont exclues toutes les autres garanties, conditions ou représentations, y compris les garanties, conditions ou représentations en vertu de toute loi régissant la vente de produits ou de toute autre législation ou règlement semblable. **En vertu de la présente, Danby ne peut être tenue responsable en cas de blessures corporelles ou de dégâts matériels, y compris à l'appareil, quelle qu'en soit les causes. Danby ne peut pas être tenue responsable des dommages indirects dus au fonctionnement défectueux de l'appareil. En achetant l'appareil, l'acheteur accepte de tenir sans reproche et de dégager Danby de toute responsabilité en cas de réclamation pour toute blessure corporelle ou tout dégât matériel causé par cet appareil.**

CONDITIONS GÉNÉRALES

La garantie ou assurance ci-dessus ne s'applique pas si les dégâts ou réparations sont dus aux cas suivants :

- 1) Panne de courant.
- 2) Dommages subis pendant le transport ou le déplacement de l'appareil.
- 3) Alimentation électrique incorrecte (tension faible, câblage défectueux, fusibles incorrects).
- 4) Accident, modification, emploi abusif ou incorrect de l'appareil tel qu'une circulation d'air inadéquate dans la pièce ou des conditions de fonctionnement anormales (température extrêmement élevée ou basse).
- 5) Utilisation dans un but commercial ou industriel (à savoir, si l'appareil n'est pas installé dans un domicile résidentiel).
- 6) Incendie, dommages causés par l'eau, le vol, la guerre, une émeute, des hostilités, ou en cas de force majeure (ouragan, inondation, etc.).
- 7) Visites d'un technicien pour expliquer le fonctionnement de l'appareil au propriétaire.
- 8) Installation inappropriée (par exemple, encastrement d'un appareil autoportant, ou utilisation extérieure d'un appareil non conçu à cet effet, y compris, mais sans s'y limiter : les garages, les patios, les porches ou ailleurs, qui ne sont pas correctement isolés ou climatisés).

La preuve de la date d'achat sera requise pour les réclamations de garantie; conserver la facture de vente. Dans le cas où un service de garantie est requis, présentez la preuve d'achat à notre dépôt de service agréé.

Service sous garantie

En Atelier

Danby Products Limited
PO Box 1778, Guelph, Ontario, Canada N1H 6Z9
Téléphone : (519) 837-0920 Télécopieur : (519) 837-0449

1-800-263-2629
02/18

Danby Products Inc.
PO Box 669, Findlay, Ohio, U.S.A. 45840
Téléphone : (419) 425-8627 Télécopieur : (419) 425-8629

Bienvenido a la familia Danby.

Estamos orgullosos de nuestros productos de calidad y creemos en un servicio confiable. Le sugerimos que lea este manual del propietario antes de enchufar su nuevo electrodoméstico, ya que contiene información importante de funcionamiento, información de seguridad, solución de problemas y consejos de mantenimiento para garantizar la confiabilidad y longevidad de su electrodoméstico.

Tiene derecho a la cobertura de la garantía como se describe en el manual del propietario que se proporciona con su nuevo electrodoméstico.

1. Escriba la información de su aparato a continuación. **Debe conservar el comprobante de compra original para validar y recibir los servicios de garantía.**
2. Registre su producto en línea y reciba una **EXTENSIÓN DE GARANTÍA GRATUITA DE 2 MESES** después de completar una encuesta sobre el producto, en www.danby.com/support/product-registration/

Número de modelo: _____

Número de serie: _____

Fecha de compra: _____

Necesitas ayuda?

1. Lea el manual del propietario para obtener ayuda con la instalación, resolución de problemas y asistencia de mantenimiento.
2. Visite www.Danby.com para acceder a herramientas de autoservicio, preguntas frecuentes y mucho más buscando su número de modelo en la barra de búsqueda.
3. Para obtener el **servicio al cliente más rápido**, complete el formulario web en www.danby.com/support. Su envío irá directamente a un experto en su dispositivo en particular. Nuestros tiempos de respuesta promedio son entre 20 minutos y 2 horas, durante el horario comercial EST.
4. Llame al **1-800-263-2629**; tenga en cuenta que durante las horas pico, los tiempos de espera pueden exceder una hora.



Información de Seguridad Importante

LEA Y SIGA TODAS LAS INSTRUCCIONES DE SEGURIDAD

REQUERIMIENTOS DE SEGURIDAD

Este aparato no está diseñado para ser utilizado por personas (incluyendo niños) cuyas capacidades físicas, sensoriales o mentales sean diferentes o reducidas, o que carezcan de experiencia o conocimiento, a menos que dichas personas reciban supervisión o entrenamiento para operar el aparato por una persona responsable de su la seguridad.

Los niños deben ser supervisados para asegurarse de que no juegan con el aparato.

Para evitar el riesgo de descarga eléctrica, no utilice este deshumidificador en un área que pueda acumular agua estancada. Si se desarrolla esta condición, desconecte la fuente de alimentación antes de entrar en el agua.

No almacene ni utilice materiales combustibles tales como gasolina u otros vapores o líquidos inflamables cerca de este o de cualquier otro aparato.

No introduzca los dedos u otros objetos en las parrillas o aberturas del aparato.

No cubra ni bloquee las aberturas de admisión y de escape.

No opere el aparato sin el filtro instalado.

No utilice el aparato cerca de fuentes de calor.

Este aparato está destinado únicamente a aplicaciones interiores y residenciales. No utilice este deshumidificador en exteriores. No utilice este deshumidificador para aplicaciones comerciales o industriales.

INSTRUCCIONES DE CONEXION A TIERRA

Este aparato debe estar conectado a tierra. La puesta a tierra reduce el riesgo de descarga eléctrica proporcionando un cable de escape para la corriente eléctrica.

Este aparato tiene un cable que tiene un cable de conexión a tierra con un enchufe de 3 clavijas. El cable de alimentación debe estar enchufado en un tomacorriente que esté debidamente conectado a tierra. Si el tomacorriente es un tomacorriente de dos clavijas, debe ser reemplazado por un tomacorriente de 3 clavijas con conexión a tierra adecuada. La placa de características en serie indica el voltaje y la frecuencia para los que está diseñado el artefacto.

ADVERTENCIA - El uso incorrecto del enchufe de conexión a tierra puede ocasionar un riesgo de descarga eléctrica. Consulte a un electricista calificado o agente de servicio si las instrucciones de conexión a tierra no se entienden completamente o si existe duda sobre si el aparato está debidamente conectado a tierra.

No conecte el aparato a cables de extensión, adaptadores o junto con otro aparato en la misma toma de corriente.

No empalme el cable de alimentación. No corte ni extraiga en ningún caso la tercera clavija de tierra del cable de alimentación.

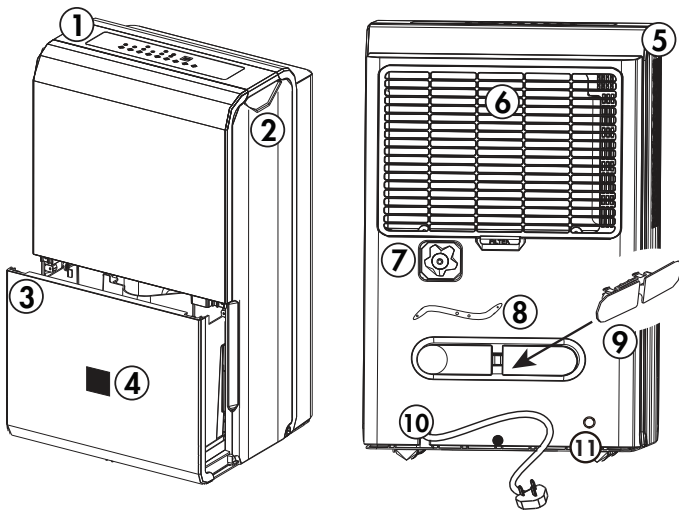
Si el cable de alimentación está dañado, debe ser reemplazado por el fabricante, su agente de servicio o persona calificada similar para evitar riesgos.

¡GUARDA ESTAS INSTRUCCIONES!

INSTRUCCIONES DE OPERACIÓN

CARACTERÍSTICAS

1. Panel de control
2. Asas (ambos lados)
3. Cubo de agua
4. Indicador de nivel de agua
5. Salida de aire
6. Filtro de aire
7. Salida de drenaje continuo
8. Correa de almacenamiento del cable de alimentación
9. Banda de almacenamiento del cable de alimentación
10. Cable de alimentación
11. Salida de drenaje de la bomba

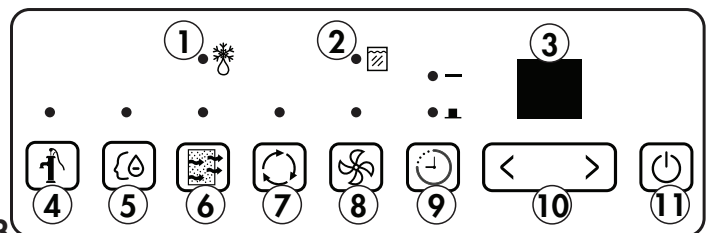


ACCESORIOS INCLUIDOS

- Banda de almacenamiento del cable de alimentación
- Manguera de drenaje de la bomba (1 pieza)
- Manguera de drenaje (aislada) (1 pieza)
- Conector de manguera de drenaje (1 pieza)

PANEL DE CONTROL

1. **Luz de descongelación automática:** la luz se iluminará cuando se acumule escarcha en las bobinas del evaporador. El compresor se apagará y el ventilador continuará funcionando hasta que la escarcha se derrita.
2. **Luz de cubeta llena:** La luz se iluminará cuando la cubeta esté llena o colocada incorrectamente dentro del gabinete. El funcionamiento del compresor y del ventilador se detendrá como medida de seguridad. Cuando el balde se vacía o se reposiciona correctamente, el deshumidificador reanudará su funcionamiento automáticamente.
3. **Pantalla:** muestra el nivel de humedad real ($\pm 5\%$ de precisión) de la habitación en un rango de 30% a 90%. De lo contrario, muestra la selección al programar la humedad o el temporizador.
4. **Botón de bomba:** presione para activar la bomba de drenaje. Asegúrese de que haya una manguera de drenaje conectada antes de arrancar la bomba.
5. **Deshumidificación inteligente:** esta función ajustará automáticamente el nivel de humedad con las temperaturas ambientales fluctuantes. El nivel de humedad no se puede ajustar en esta configuración, se estabilizará entre el 45% y el 55%. Presione los botones de ajuste de humedad para cancelar esta función.
6. **Botón de filtro:** La luz de verificación del filtro se iluminará después de 250 horas de funcionamiento. Después de limpiar el filtro, presione el botón del filtro para apagar la luz.
7. **Botón continuo:** Presione para activar la operación de deshumidificación continua.
8. **Botón del ventilador:** presione para seleccionar la velocidad del ventilador normal o alta. La luz se iluminará cuando se establezca en velocidad alta del ventilador.
9. **Botón del temporizador:** presione para configurar el temporizador.
10. **Botones de ajuste de humedad:** el nivel de humedad se puede configurar dentro de un rango de 35% a 85% de humedad relativa en incrementos del 5%. Para aire más seco, establezca un valor porcentual más bajo. Para aire más húmedo, establezca un valor porcentual más alto.
11. **Botón de encendido:** presione para encender o apagar el deshumidificador.



INSTRUCCIONES DE OPERACIÓN

OPERACIÓN

- Coloque el deshumidificador en un piso liso y nivelado que sea lo suficientemente fuerte como para sostener el aparato con un balde lleno de agua.
- No coloque el deshumidificador sobre una alfombra, ya que esto puede bloquear el flujo de aire alrededor del aparato. No fuerce las ruedas para que se muevan sobre la alfombra, ya que el electrodoméstico puede desequilibrarse y derramar agua.
- Para mantener la eficiencia, opere el aparato en un área cerrada. Mantenga cerradas las puertas y ventanas cercanas.
- Deje un espacio libre mínimo de 40 cm (16 pulgadas) alrededor de las salidas de aire y de 20 cm (8 pulgadas) en los otros lados del aparato para permitir una circulación de aire adecuada.
- La temperatura ambiente de funcionamiento recomendada es entre 5°C (41°F) y 32°C (90°F).
- Cada vez que el aparato se coloca boca arriba o de costado, debe dejarlo en posición vertical durante 6 horas antes de enchufarlo para evitar daños a los componentes internos.
- La configuración predeterminada es 40% y velocidad alta del ventilador. Dependiendo de las condiciones, es posible que el deshumidificador no se inicie automáticamente con la configuración predeterminada. Esto significa que la humedad ambiental es inferior al 40%. Presione los botones de ajuste de humedad para reducir la humedad establecida hasta que sea más baja que la humedad ambiental.
- Para un rendimiento óptimo, asegúrese de que la configuración de humedad sea un 10% más baja que la humedad ambiental. Es normal que la humedad ambiental varíe hasta un 5% por encima o por debajo de la humedad establecida.
- Se recomienda en condiciones normales establecer la humedad entre 40-45%.
- Es normal que el deshumidificador expulse aire caliente de la salida de aire.
- La banda de almacenamiento del cable de alimentación se puede encontrar en el cubo de agua y se puede instalar presionándola en la parte posterior del gabinete hasta que haga clic.

TEMPORIZADOR

Apagado automático

1. Cuando el deshumidificador esté encendido, presione el botón del temporizador para activar el temporizador de apagado automático.
2. Presione los botones de ajuste de humedad para cambiar el tiempo establecido en incrementos de 0,5 horas hasta 10 horas y luego en incrementos de 1 hora hasta 24 horas.

Encendido automático

1. Cuando el deshumidificador esté apagado, presione el botón del temporizador para activar el temporizador de encendido automático.
2. Presione los botones de ajuste de humedad para cambiar el tiempo establecido en incrementos de 0,5 horas hasta 10 horas y luego en incrementos de 1 hora hasta 24 horas.

Uso de encendido y apagado automático juntos

Los temporizadores de encendido y apagado automático se pueden usar al mismo tiempo configurando primero uno y luego el otro.

Por ejemplo, si el deshumidificador está en funcionamiento, puede configurar el temporizador de apagado automático para que funcione durante un período de tiempo determinado antes de apagarse y luego configurar el temporizador de encendido automático para volver a encenderlo más tarde.

O, si el deshumidificador no está funcionando, puede configurar el temporizador de encendido automático para encenderlo más tarde y luego configurar el temporizador de apagado automático para apagarlo después de funcionar durante un período de tiempo.

Nota: El temporizador no activará y desactivará el deshumidificador de forma indefinida. Los temporizadores de encendido y apagado automático funcionarán una vez y luego el deshumidificador volverá a funcionar normalmente.

Encender o apagar el deshumidificador en cualquier momento o cambiar la configuración del temporizador a 0.0 cancelará la configuración del temporizador.

INSTRUCCIONES DE OPERACIÓN

REMOCION DE AGUA

Hay dos formas de eliminar el agua recogida del aparato.

1. Cubo de agua

El deshumidificador automáticamente recogerá agua condensada en el cubo de agua. Cuando el cubo esté lleno, el compresor y el ventilador se apagarán y la luz indicadora de cubo completo se encenderá.

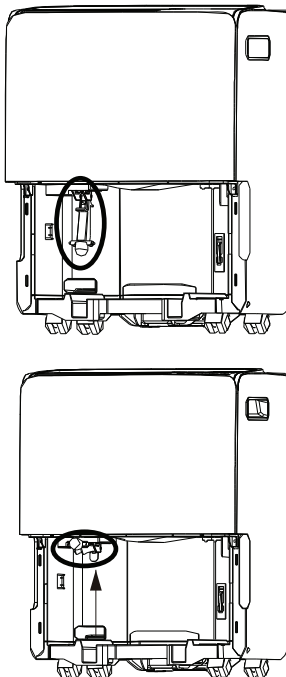
Para vaciar el cubo, retírelo suavemente del aparato apretando ambos lados y tirando hacia afuera. Tenga cuidado al retirar el cubo, estará lleno y puede ser pesado.

No coloque el cubo de agua directamente en el suelo. El fondo del cubo es desigual y se caerá y derramará el agua.

Vacíe el cubo y vuelva a colocarlo en el aparato. El deshumidificador no funcionará sin el cubo instalado.

Nunca altere ni intente anular el sistema de flotación de nivel de agua. La instalación adecuada del balde de agua es fundamental para mantener un funcionamiento confiable.

Nota: Al retirar el cubo, el brazo de la bomba de drenaje puede caerse. Debe empujar suavemente hacia arriba de nuevo en la posición correcta antes de reemplazar el cubo.



2. Drenaje Continuo

El agua se puede quitar usando el conector y la manguera de drenaje provistos.

Antes de usar cualquier función de drenaje automático, verifique que todos los puertos de drenaje estén limpios. Hay un puerto de drenaje dentro del compartimiento del balde del aparato, retire el balde para verlo. Hay un puerto de drenaje en la parte posterior del aparato donde se conecta la manguera de drenaje. Todos los puertos de drenaje deben limpiarse con un limpiador de tuberías antes de su uso.

Retire la tapa de la salida de drenaje continuo y conecte el conector y la manguera de drenaje provistos a la parte posterior del aparato. Dirija el otro extremo de la manguera de desagüe a un balde o desagüe del piso.

Asegúrese de que la manguera de drenaje no esté doblada y descienda directamente desde la parte posterior del aparato. El drenaje continuo solo se activa por gravedad, por lo que cualquier inclinación o movimiento hacia arriba en la manguera evitará que el agua se drene.

La manguera de drenaje tiene 2 m (6,6 pies) de largo. No conecte esta manguera de drenaje junto con ninguna otra manguera. Si la manguera de desagüe es demasiado larga, es posible que el agua no se drene por completo, lo que puede provocar que el agua se estanque y se acumule moho dentro de la manguera.

Notas:

- No limpie los puertos de drenaje con nada más rígido que un limpiapipas, ya que esto puede dañar el aparato.
- Si los puertos de drenaje están obstruidos o sucios, puede provocar que se filtre agua por la parte inferior del aparato.
- El drenaje continuo se alimenta solo por gravedad.

INSTRUCCIONES DE OPERACIÓN

REMOCION DE AGUA

3. Drenaje de la bomba

Si el drenaje continuo es inconveniente, el agua se puede quitar del aparato usando el drenaje de la bomba.

Cuando use la bomba, el aparato primero llenará el balde con agua y luego el brazo de la bomba bombeará agua del balde a través del desagüe y hacia afuera por la manguera.

Retire la manguera de drenaje continuo de la unidad y gire la cubierta de plástico hacia la salida de la manguera de drenaje continuo en el sentido de las agujas del reloj.

Retire la cinta fija, inserte la manguera de desagüe de la bomba en la salida de la manguera de desagüe de la bomba hasta una profundidad de al menos 15 mm y asegúrese de que la manguera esté segura para que no haya fugas.

Dirija el otro extremo de la manguera a un desagüe. Presione el botón de la bomba para activar la función de la bomba. Cuando el balde esté lleno, la bomba comenzará a funcionar.

Asegúrese de que la manguera de drenaje no esté doblada, esto puede evitar que el agua se drene correctamente y trabaje demasiado la bomba.

No conecte la manguera provista junto con otra manguera. La longitud máxima de la manguera de drenaje de la bomba no debe superar los 4,6 m (15 pies). Si la manguera de desagüe es demasiado larga, es posible que el agua no se drene por completo, lo que puede provocar agua estancada y acumulación de moho dentro de la manguera.

Cuando utilice el desagüe de la bomba, el balde de agua debe vaciarse cada pocos días para asegurarse de que el agua del balde no se estanque ni desarrolle moho.

Para quitar la manguera, presione hacia adentro el anillo alrededor del drenaje y tire de la manguera hacia afuera.

Importante: Si la bomba de drenaje está activada, el agua saldrá del drenaje independientemente de si hay una manguera conectada o no. Asegúrese de que la bomba de drenaje esté desactivada cuando se retire la manguera para evitar daños al piso debido a fugas de agua.

CUIDADO Y MANTENIMIENTO

FILTRO DE AIRE

El filtro de aire debe limpiarse aproximadamente cada 2 semanas. El filtro de aire puede requerir una limpieza más frecuente si hay caspa o pelaje en el aire.

Aproximadamente cada dos semanas, la luz indicadora del filtro en el panel de control se iluminará como un recordatorio para limpiar el filtro. Siga los pasos que se indican a continuación para limpiar el filtro y volver a ponerlo en funcionamiento normal.

1. El filtro de aire se encuentra detrás de la rejilla de admisión trasera. Para quitar el filtro de aire, sujete la lengüeta del filtro en la parte inferior de la parrilla y deslícela hacia abajo.
2. Utilice una aspiradora con un accesorio de cepillo suave para eliminar los residuos grandes o acumulación de polvo del filtro de aire.
3. Lave el filtro en agua jabonosa tibia, por debajo de 40°C (104°F), o use un agente de limpieza neutro.
4. Enjuague el filtro con agua limpia y séquelo completamente antes de volver a instalarlo en el aparato.
5. Pulse el botón de filtro en el panel de control para reanudar el funcionamiento normal.

Nota: No utilice el aparato sin el filtro de aire instalado.

CÓDIGOS DE ERROR

Si el panel de visualización muestra alguno de los siguientes códigos de error, desenchufe el aparato, deje reposar durante 5-10 minutos y vuelva a enchufarlo. Si el error persiste, llame al servicio técnico.

AS - Error del sensor de humedad

ES - Error del sensor de temperatura

P2 - Cubo completo

Eb - cucharón retirado o no en la posición correcta

LIMPIEZA

Para evitar posibles descargas eléctricas, asegúrese de que el aparato esté desenchufado antes de realizar cualquier limpieza o mantenimiento.

El exterior del aparato se puede limpiar con un paño suave o con un paño tibio y húmedo si es necesario.

No utilice gasolina, benceno, diluyente o cualquier otro producto químico para limpiar este aparato ya que estas sustancias pueden dañar el acabado y la deformación de las piezas de plástico.

Nunca vierta agua directamente sobre el aparato ya que esto causará el deterioro de los componentes eléctricos y el aislamiento del cableado.

Asegúrese de que los puertos de drenaje en el interior del artefacto y los puertos de drenaje en la parte posterior del electrodoméstico estén libres de suciedad y acumulación de calcio.

CUIDADO PARA EL FINAL DE LA TEMPORADA

Desenchufe el deshumidificador y asegúrese de que el filtro esté limpio. Asegúrese de que el balde esté vacío y luego deje que tanto el balde como el deshumidificador se sequen por completo antes de guardarlos para la temporada baja. El agua dentro del deshumidificador podría tardar unos días en evaporarse por completo. Puede acelerar este proceso limpiando el balde con un paño seco y asegurándose de que se haya vaciado el desagüe inferior del deshumidificador. Guarde el deshumidificador cubierto en un lugar seco.

DISPOSICIÓN

Este aparato no puede ser tratado como un residuo doméstico normal, sino que debe ser llevado al punto de recogida de residuos apropiado para el reciclaje de componentes eléctricos. Compruebe la conformidad reglamentaria local con respecto a la eliminación aprobada y segura de este aparato.

PREGUNTAS FRECUENTES

¿Cuál es el mejor ajuste de humedad?

Recomendamos configurar su deshumidificador entre 40-45%.

¿Se supone que el aire que sale del deshumidificador está caliente?

Sí, normalmente este aire se siente cálido.

¿Por qué el deshumidificador no recoge agua?

Es posible que no haya suficiente humedad en su entorno o que la humedad relativa sea más alta que la del ambiente.

¿El ventilador funciona continuamente?

En modo continuo, el ventilador funcionará continuamente. En el modo de deshumidificación inteligente o en el modo manual, el ventilador se encenderá y apagará.

¿Puedo usar un cable de extensión?

No, el deshumidificador está diseñado para funcionar con el cable de alimentación proporcionado.

¿El temporizador se enciende y apaga para siempre?

Los temporizadores de encendido y apagado se pueden usar al mismo tiempo, sin embargo, solo realizarán un ciclo una vez y luego reanudarán el funcionamiento normal.

¿Cómo conecto mi drenaje directo?

Retire la tapa de la salida de drenaje continuo y conecte el conector y la manguera de drenaje provistos a la parte posterior del aparato. Dirija el otro extremo de la manguera de desagüe a un balde o desagüe del piso.

¿Se enciende la luz del filtro cuando está sucio?

La luz del filtro se enciende automáticamente después de aproximadamente 250 horas de uso, incluso si el filtro está limpio. Limpie el filtro y luego presione el botón del filtro para apagar la luz del filtro.

¿Qué es la pieza de plástico en el cubo?

Esta pieza redondeada se llama hebilla y se sujeta a la parte posterior del deshumidificador. Se utiliza para envolver el cable de alimentación durante el almacenamiento a largo plazo del deshumidificador.

SOLUCIÓN DE PROBLEMAS

El aparato no funciona

- El enchufe no está completamente insertado en el tomacorriente de pared
- Fusible o disyuntor quemado
- La humedad ambiental es menor que la humedad establecida
- El cucharón está lleno o no está en la posición correcta

Deshumidificación insuficiente

- El filtro de aire está sucio
- Flujo de aire bloqueado
- El tamaño del aparato es demasiado pequeño para la aplicación
- La humedad ambiental es menor que la humedad establecida

Ruido

- El filtro de aire está sucio
- El cucharón no está en la posición adecuada
- La superficie del piso no está nivelada

Hedor

- Formación de moho o hongos en superficies internas húmedas.
- Coloque una tableta de algicida en el balde de agua

Agua en el suelo

- La conexión de la manguera está floja
- Se ha quitado la tapa del desagüe

Acumulación de escarcha

- Cuando la temperatura ambiente es inferior a 5°C (41°F) se puede formar escarcha
- Cambie el aparato al modo de solo ventilador hasta que la escarcha se derrita

GARANTÍA LIMITADA "ACARREADO SOLAMENTE"

Este producto de calidad está garantizado contra defectos de fabricación, incluyendo partes y mano de obra, siempre y cuando la unidad se utilice bajo las condiciones normales de funcionamiento para las que fue diseñado.

Esta garantía está solamente disponible para la persona que haya comprado originalmente esta unidad directamente de Danby Products Limited (Canada) o Danby Products Inc. (U.S.A.) (en adelante "Danby") o uno de sus distribuidores autorizados, y no es transferible.

CONDICIONES DE LA GARANTÍA

Las piezas plásticas, se autorizan por treinta (30) días solamente a partir de la fecha de la compra, sin las extensiones proporcionadas.

Primeros 24 meses Durante los primeros **veinticuatro (24) meses**, cualquier parte en buen estado de este producto que resulte defectuosa, incluyendo cualquier sistema sellado, será reparado o reemplazado, a opción del fabricante, sin cargo para el comprador original.

Para obtener servicio Póngase en contacto con el distribuidor donde adquirió el electrodoméstico o póngase en contacto con el centro de servicio autorizado más cercano de Danby, donde el servicio debe ser realizado por un técnico cualificado. Si el servicio es realizado por cualquier persona que no sea un depósito de servicio autorizado, todas las obligaciones de Danby bajo esta garantía serán nulas.

Es responsabilidad del comprador transportar el aparato al centro de servicio autorizado más cercano.

Los cargos de transporte desde y hacia el lugar de servicio no están protegidos por esta garantía y son responsabilidad del comprador.

Nada dentro de esta garantía implica que Danby será responsable por cualquier daño que hayan sufrido los alimentos u otros contenidos de este aparato, ya sea debido a un defecto del aparato, o su uso, adecuado o inadecuado.

EXCLUSIONES

Salvo lo aquí indicado por Danby, no existen otras garantías, condiciones o representaciones, explícitas o implícitas, concretas o intencionales por parte de Danby o sus distribuidores autorizados y todas las demás garantías, condiciones o representaciones, incluyendo cualquier garantía, condiciones o representaciones bajo cualquier Acta de Venta de Productos o legislación o estatuto similar, quedan de esta forma expresamente excluidas. **Salvo lo aquí indicado, Danby no serán responsables por ningún daño a personas o bienes, incluyendo la propia unidad, sin importar su causa, o de ningún daño indirecto causado por el desperfecto de la unidad, y al comprar esta unidad, el comprador acepta por la presente, indemnizar y proteger a Danby contra cualquier reclamo por daños a personas o bienes causados por la unidad.**

CONDICIONES GENERALES

No se considerará ninguna de estas garantías o seguros cuando el daño o la necesidad de reparación sea el producto de los siguientes casos:

- 1) Falla del suministro eléctrico.
- 2) Daños en tránsito o durante el transporte de la unidad.
- 3) Alimentación incorrecta, como bajo voltaje, instalación eléctrica defectuosa o fusibles inadecuados.
- 4) Accidente, modificación, abuso o uso incorrecto del artefacto, tal como insuficiente ventilación del ambiente o condiciones de operación anormales (temperatura ambiente extremadamente alta o baja).
- 5) Utilización comercial o industrial (v.g., si el electrodoméstico no está instalado en una vivienda particular).
- 6) Incendio, daños por agua, robo, guerra, disturbios, hostilidades, actos de fuerza mayor como huracanes, inundaciones, etc.
- 7) Pedidos de servicio debido a desinformación del usuario.
- 8) Instalación inadecuada (v.g., instalación de un electrodoméstico independiente o uso de un aparato al aire libre que no esté aprobado para aplicaciones en exteriores, incluyendo pero no limitado a: garajes, patios, porches o cualquier lugar que no esté bien aislado o controlado por el clima).

Se requerirá una prueba de la fecha de compra para reclamaciones de garantía; conservar las facturas de venta. En el caso de que se requiera servicio de garantía, presente el comprobante de compra a nuestro depósito de servicio autorizado.

Servicio de Garantía
Acarreado Solamente

Danby Products Limited
PO Box 1778, Guelph, Ontario, Canada N1H 6Z9
Telephone: (519) 837-0920 FAX: (519) 837-0449

1-800-263-2629
04/17

Danby Products Inc.
PO Box 669, Findlay, Ohio, U.S.A. 45840
Telephone: (419) 425-8627 FAX: (419) 425-8629



Danby Products Limited, Guelph, ON, Canada N1H 6Z9
Danby Products Inc., Findlay, Ohio, USA 45840