

WARRANTY

This product is warranted to the retail customer for 90 days from date of retail purchase, against defects in material and workmanship.

WHAT IS COVERED

- Replacement parts and labour.
- Transportation charges to customer for the repaired product.

WHAT IS NOT COVERED

- Damage caused by abuse, accident, misuse, or neglect.
- Transportation of the unit or component from the customer to Koolatron.

IMPLIED WARRANTIES

Any implied warranties, including the implied warranty of merchantability are also limited to the duration of 90 days from the date of retail purchase.

WARRANTY

Keep the original, dated, sales receipt with this manual.

WARRANTY AND SERVICE PROCEDURE

If you have a problem with your unit, or require replacement parts, please telephone the following numbers for assistance:

North America 1-800-265-8456

Koolatron has Master Service Centres at these locations:

U.S.A.
4330 Commerce Dr., Batavia, NY 14020-4102
Canada
139 Copernicus Blvd., Brantford, ON N3P1N4

A Koolatron Master Service Centre must perform all warranty work.



ICE MAKER



www.koolatron.com

©2019 Koolatron, Inc. All rights reserved.
All specifications are subject to change without notice.

H1S282 04/2019-v1

Please Read These Instructions Carefully Before Use!

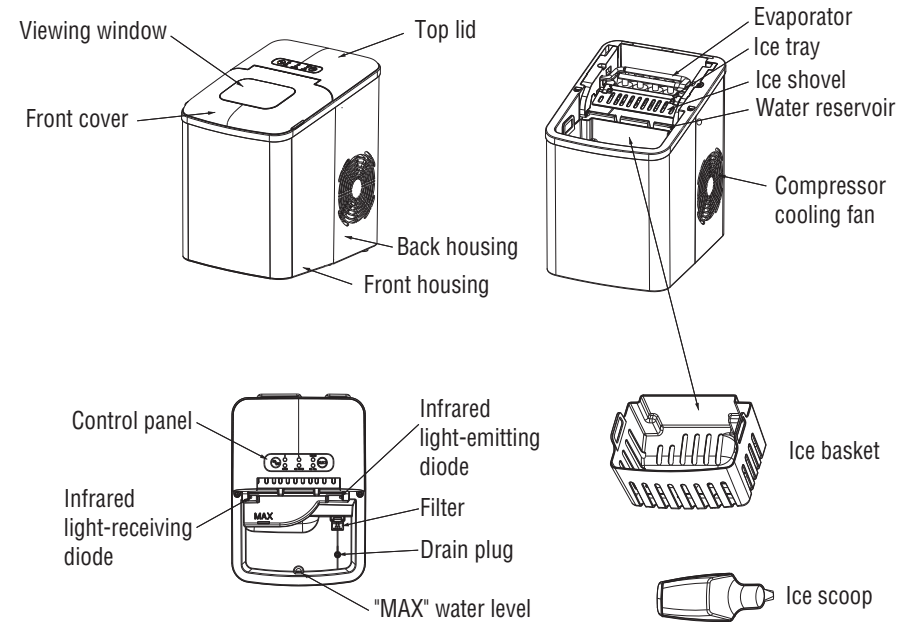
KIM26-B
User Manual

IMPORTANT SAFEGUARDS

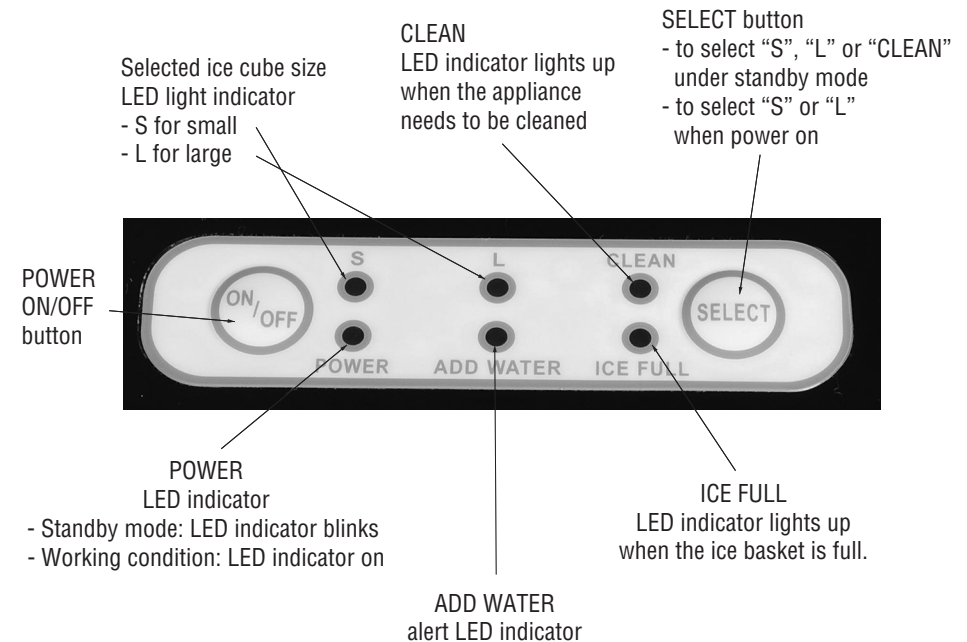
When using electrical appliances, basic safety precautions should always be followed, including the following:

1. Before using, check that the voltage power corresponds to the one shown on the appliance nameplate.
2. Plug the ice maker into an exclusive grounded power outlet. No other appliance should be plugged into the same outlet. Be sure that the plug is fully inserted into the receptacle.
3. This appliance must be grounded. It is equipped with a power cord having a grounding plug. The plug must be plugged into an outlet that is properly installed and grounded.
4. Avoid the use of an extension cord because it may overheat and cause a risk of fire. However, if it is necessary to use an extension cord:
 - a) Use only extension cord with grounding plug.
 - b) The marked rating of an extension cord must be equal to or greater than the rating of this appliance.
 - c) It should be positioned such that it does not drape over the counter or tabletop where it can be pulled on by children intentionally.
5. Do not operate any appliance with a damage cord or plug or after the appliance malfunction or has been damaged in any manner. Return the appliance to the nearest authorized service facility for examination, repair or adjustment.
6. If the supply cord is damaged, it must be replaced by the manufacturer or its service agent or a similarly qualified person in order to avoid a hazard.
7. Do not let cord hang over edge of table or counter.
8. Do not place on or near a hot gas or electric burner, or in a heated oven.
9. Place power cord in such a way it cannot be pulled on by children or cause a tripping hazard.
10. Place power cord in such a way that it is not in contact with hot surfaces.
11. Do not touch the evaporator when using the ice maker to avoid being suffer from frostbite.
12. Do not immerse any part of the product in water.
13. To disconnect, turn any control to "OFF", then remove plug from wall outlet.
14. Do not plug or unplug product with wet hands.
15. Unplug the product before cleaning,maintaining and when not in use.
16. Do not use with water that is microbiologically unsafe or of unknown quality.
17. Do not clean your ice maker with any flammable fluids. The fumes may create a fire hazard or explosion.
18. Do not overturn the ice maker. If the ice maker is overturned accidentally, make it stand steadily for 2 hours before power it on again.
19. If the ice maker is brought in from outside in wintertime, do not use for a few hours, allowing the unit to warm up to the room temperature before operating.
20. Never put flammable, explosive and corrosive articles into the ice maker.
21. Never use the ice maker when there is flammable gas leakage.
22. Never store or use gas and other flammable articles near the ice maker to avoid any fire.
23. Unplug the ice maker before moving it to avoid damaging the refrigerating system.
24. Do not attempt to disassemble, repair, modify, or replace any part of your product.
25. This appliance is not intended for used by persons (including children) with reduced physical, sensory or mental capabilities, or lack of experience and knowledge, unless they have been given supervision or instruction concerning use of the appliances by a person responsible for their safety.
26. Children should be supervised to ensure that they do not play with the appliance.
27. Close supervision is necessary when any appliance is used by or near children.
28. Do not leave the appliance unattended while in use.
29. Do not use outdoors.
30. Do not use the appliance for other than intended use.
31. Please dispose of the ice maker according to local regulators as it uses flammable blowing gas and refrigerant.

FEATURES



CONTROL PANEL



OPERATING INSTRUCTIONS

This portable icemaker uses a fully automatic control system, with an advanced microcomputer for easy and convenient ice making. Making ice is simple and fast. Just add water, plug into an outlet, and press the ON button. You can select one of the two ice cube sizes with the touch of a button.

There are warning indicators that alert you to fill water when the reservoir is empty and to remove ice when the ice basket is full. The icemaker also has built-in safeguards that can limit accidental damage, automatically shutting down the system when necessary.

BEFORE FIRST USE **Please read carefully.**

1. Unpack the appliance, then check and make sure that all the accessories including ice basket and ice scoop etc. are complete. Please contact with the customer service department if some accessories are missed.
2. Please ensure the ice maker is level and on a stable table or platform to avoid malfunction.
3. The incline angle of the ice maker cabinet should not exceed 45° during transportation or use. Do not turn the ice maker upside down. Doing so could cause the compressor or refrigerating system to operate incorrectly. Please allow time for the fluids in the compressor to settle after the ice maker is moved or transported. Before using the ice maker for the first time, please wait for 2 hours after the unit has been leveled and positioned in the proper place.
4. The appliance must be placed on a dry and level surface with sufficient ventilation, far from heat sources such as ovens, heaters and corrosive gases. Leave about a 6" (15cm) clearance on all sides of the ice maker for proper ventilation.
5. Do not fill the water reservoir with hot water. This may damage the ice maker. It is best to fill the water reservoir with water of room temperature or lower.
6. Do not use the appliance at a very cold environment (lower than 41°F / 5°C).
7. Clean the appliance by following the operation of "CLEANING AND MAINTENANCE" before operate.

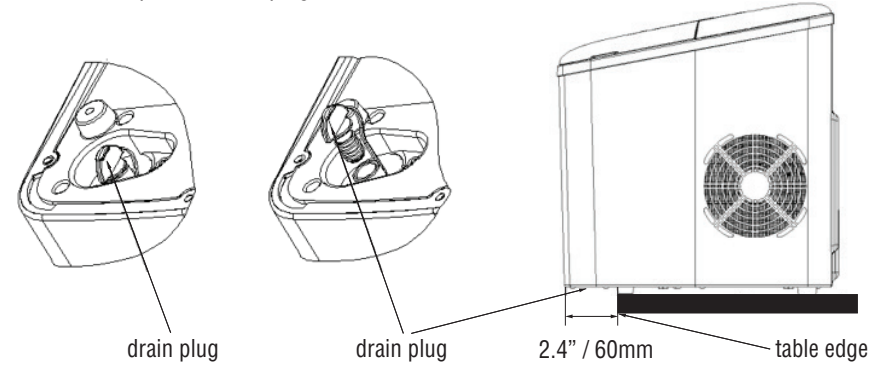
OPERATING PROCESS

1. Ensure that the drain plug at the bottom of water reservoir is closed well.
2. Plug the ice maker into the wall outlet, the "ICE" indicator blinks.
3. Open the top lid and remove the ice basket.
4. Fill the water reservoir with drinking water. NOTE: Do not fill above the MAX water level mark.
5. Replace the ice basket and close the top lid.
6. Press "ON/OFF" key, and the "ICE" indicator lights solidly. At that time, press "SELECT" key to select the ice size.
7. The ice-making cycle will last approximately 7-15 minutes, depending on the ambient temperature and water temperature.
8. The ice-making cycle starts with water being pumped into the ice tray situated below the evaporator. Over the next 7-15 minutes ice forms on the evaporator. Once this has completed, the ice tray will tilt backwards and the remaining water in the ice tray is drained back into the water reservoir. The ice cubes are then dropped from the evaporator and pushed forward into the ice basket by the ice shovel. The ice tray will automatically move back into position under the evaporator and start the next cycle.
9. The "ICE FULL" indicator will light up when the ice basket is full and then the ice maker will stop the ice-making cycle automatically. Gently remove the ice from the ice basket with the ice scoop. About 5 seconds later, the ice maker will restart its ice making function automatically.
10. The "ADD WATER" indicator will light up when the water reservoir is lack of water
11. If need to clean the appliance, press "SELECT" key to select "CLEAN" function under standby mode.

CLEANING AND MAINTENANCE

Before using your icemaker, it is strongly recommended that you clean the icemaker thoroughly.

1. When cleaning, please make sure the power has been turned off and the plug is disconnected from the power outlet. When plugging or unplugging the unit from the outlet, pull directly on the plug. Never pull on the power cord.
2. Remove the ice storage basket.
3. To drain out excess water, move the appliance forward 60mm away from the edge to be able to reach and open the drain plug found at the bottom of the unit.



4. Use a mild detergent diluted in warm water and wipe with a soft towel or sponge.

WARNING Solvents, detergents and abrasives must never be used for cleaning.

5. Wipe the inner parts, such as the ice storage basket, water reservoir, water box, ice pusher, and evaporator rods.
6. The outside of the icemaker should be cleaned regularly with a mild detergent solution, warm water, and a soft cloth.
7. Dry the interior and exterior with a soft cloth.
8. To begin making ice once the unit has been cleaned, pour clean water into the water reservoir and fill up to the level line follow operating instructions.

WARNING Never tilt or place the icemaker on its side, otherwise you must wait 10 hours for compressor coolant to settle.

9. To ensure the cleanliness of the ice cubes, the water in the water storage tank should be replaced every 24 hours.
10. When the machine is not in use or will not be used for an extended period of time, empty the water reservoir completely, clean and let dry completely before storing.

Be sure to clean the icemaker regularly. To keep your ice tasting fresh, it is recommended to clean the ice maker once per week.

"CLEAN" LED indicator lights up when the appliance needs to be cleaned. Fill the water reservoir with cold water, making sure it doesn't go above the MAX water level mark. Select the CLEAN function, the water will wash the machine for 5 cycles.

TROUBLESHOOTING GUIDE

You can solve many common appliance problems easily, saving you the cost of a possible service call. Try the suggestions below to see if you can solve the problem before calling the servicer.

Problem	Possible causes	Solution
"ADD WATER" indicator turns on	<ol style="list-style-type: none"> 1. Low water level or lack of water 2. The water screen at the bottom of water reservoir is blocked. 3. Pump malfunction. 	<ol style="list-style-type: none"> 1. Stop making ice, refill water and then press "ON/OFF" key to restart ice-making cycle. 2. Clean unit 3. Send it to the authorized department for repair.
"ICE FULL" indicator lights up	<ol style="list-style-type: none"> 1. Ice basket is full and the infrared light is blocked by the ice. 2. Infrared light-emitting diode & light-receiving diode do not work 	<ol style="list-style-type: none"> 1. Remove the ice from ice basket. 2a. Wipe up the foreign objects on the infrared light-emitting diode & light-receiving diode and restart the ice maker. 2b. Call Customer Service if the infrared light-emitting diode & light-receiving diode still can not work after wiping up the foreign objects on them and restarting the ice maker.
"ADD WATER" and "ICE FULL" indicators turn on simultaneously	<ol style="list-style-type: none"> 1. The ice tray is not in the right position. 2. The "ICE FULL" condition can not be detected as the infrared light module is interfered by the sunlight. 	<ol style="list-style-type: none"> 1. Unplug the appliance and check if the ice tray is blocked. 2. Unplug the appliance and move it to a place which is not exposed to the sunlight, then plug the appliance and activate it again.
The ice collects together	<p>Making ice takes too much time.</p> <p>The water in the water reservoir is of too low temperature.</p>	<p>Stop making ice and restart the ice-making cycle after the ice melts.</p> <p>Fill the water reservoir with water ranges between 46-77°F / 8-25°C.</p>
The ice-making cycle seems normal but no ice is produced	<ul style="list-style-type: none"> - The ambient temperature or water temperature is too high. - Refrigerating system leaks - Refrigerating system blocks 	<ul style="list-style-type: none"> - Start the ice-making cycle at an ambient temperature less than 89°F / 32°C and fill the water reservoir with some cold water. - Call customer service - Call customer service
Poor ice-making result	<ol style="list-style-type: none"> 1. Poor heat dissipation. 2. The water temperature is too high. 3. The ambient temperature is too high. 	<ol style="list-style-type: none"> 1. Leave a 6-inch clearance on all sides of the ice maker for proper ventilation. 2. Fill the water reservoir with water ranges between 46-77°F / 8-25°C. 3. Operate the ice maker at an ambient temperature between 50-89°F / 10-32°C.

TECHNICAL SPECIFICATIONS

Ice making capacity:	12 kgs (26.5 lbs.)/24 h
Applicable climate:	ST/SN/N/T
Class:	I
Power:	120V/60Hz
Rated power:	105W
Refrigerant type & amount:	R600a / 23g
High Side:	290 Psig
Low Side:	138 Psig
Foaming agent:	HFC-245fa
Net weight:	7.46kg (16.4 lbs)
Housing:	PP
Unit size (DXWXH):	310x230x325mm (12.2x9"x12.8")