

# KWU1111-23-PGM

23 Inch Undermount Workstation Single Bowl  
Stainless Steel PVD Gunmetal Kitchen Sink

# Kräus<sup>®</sup>

SPECIFICATION SHEET

## Sink Dimensions

Overall Dimensions: 23" x 19"

Bowl Dimensions: 21" x 16"

Sink Depth: 10"

## Features

- 16 Gauge Stainless Steel Construction
- Undermount Single Bowl Sink
- Required Minimum Cabinet Size: 27" Left to Right, 24" Front to Back
- Rear Off-Set Drain
- 3 1/2" Drain Opening
- NoiseDefend Undercoating and Sound Dampening Pads

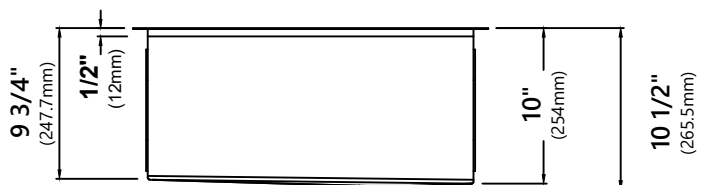
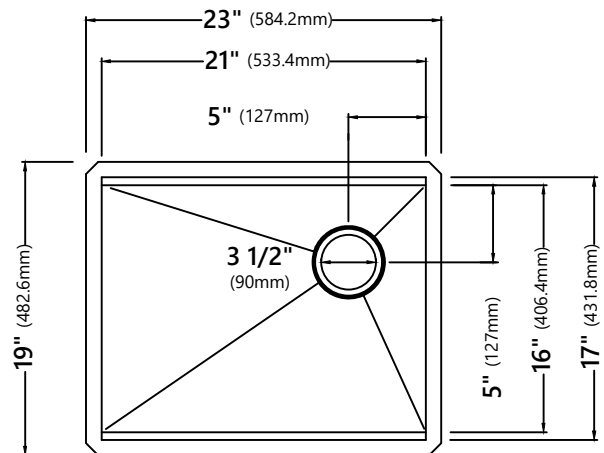
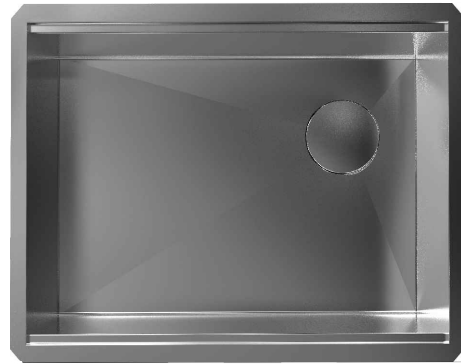
## Accessories Included

- Strainer ST-1/PGM
- Cover Cap STC-2/PGM
- Bottom Grid KBG-UN1-23-PGM
- Cutting board KCB-WS101BB
- Cut-Out Template
- Mounting Hardware

## CODES/STANDARDS:

### Product Certification

cUPC (ASME A112.19.3/CSA B45.4)



**NOTE:** It is not recommended to install this sink with a negative reveal. Doing so will prohibit the use of any workstation accessories as they will not fit.

## Warranty

Kraus Limited Lifetime Warranty

see website for details [www.kraususa.com](http://www.kraususa.com)

Kraus USA Customer Service

1.800.775.0703 | [customerservice@kraususa.com](mailto:customerservice@kraususa.com)

REV. August 20, 2021