

Kräus[®]

INSTALLATION GUIDE

Single Handle Filtration Kitchen Faucet

KFF-1610

Congratulations on the purchase of your new Kraus plumbing fixture!

Please keep the box and packaging materials until your product is completely installed. If you have any questions, require technical assistance, or have any problems with your product:



DO NOT RETURN TO STORE

Please contact our Customer Service Team

1-800-775-0703 / customerservice@kraususa.com

Have the model number available, and retain a copy of your receipt with purchase date for reference.

If for any reason this product does not meet your expectations, please be sure to repack this product in the original box and packaging material to avoid damage during transit.

Prior to Installation:

- Make sure you have all necessary parts by checking the diagram and parts list. If any part is missing or damaged, please contact Kraus Customer Service at 800-775-0703 for a replacement
- Turn off the hot and cold water lines at the angle stops and turn on the old faucet to release any built-up pressure
- Pre-drilled countertop hole size requirement: 1-3/8"(min)
- Max countertop thickness: 3-3/8"

Tools you will need:

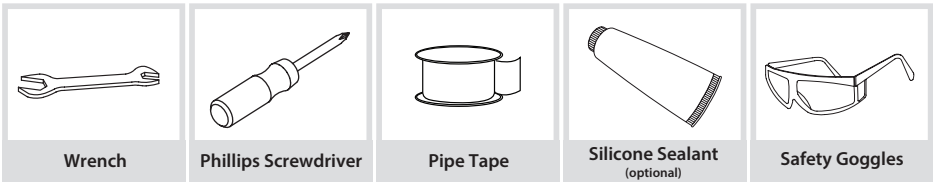
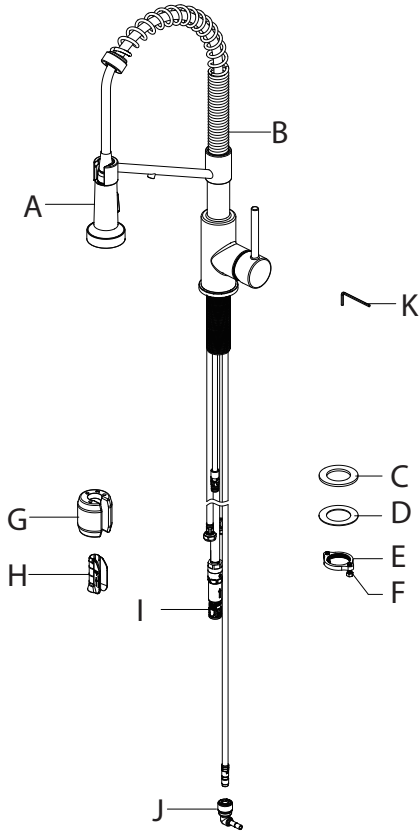
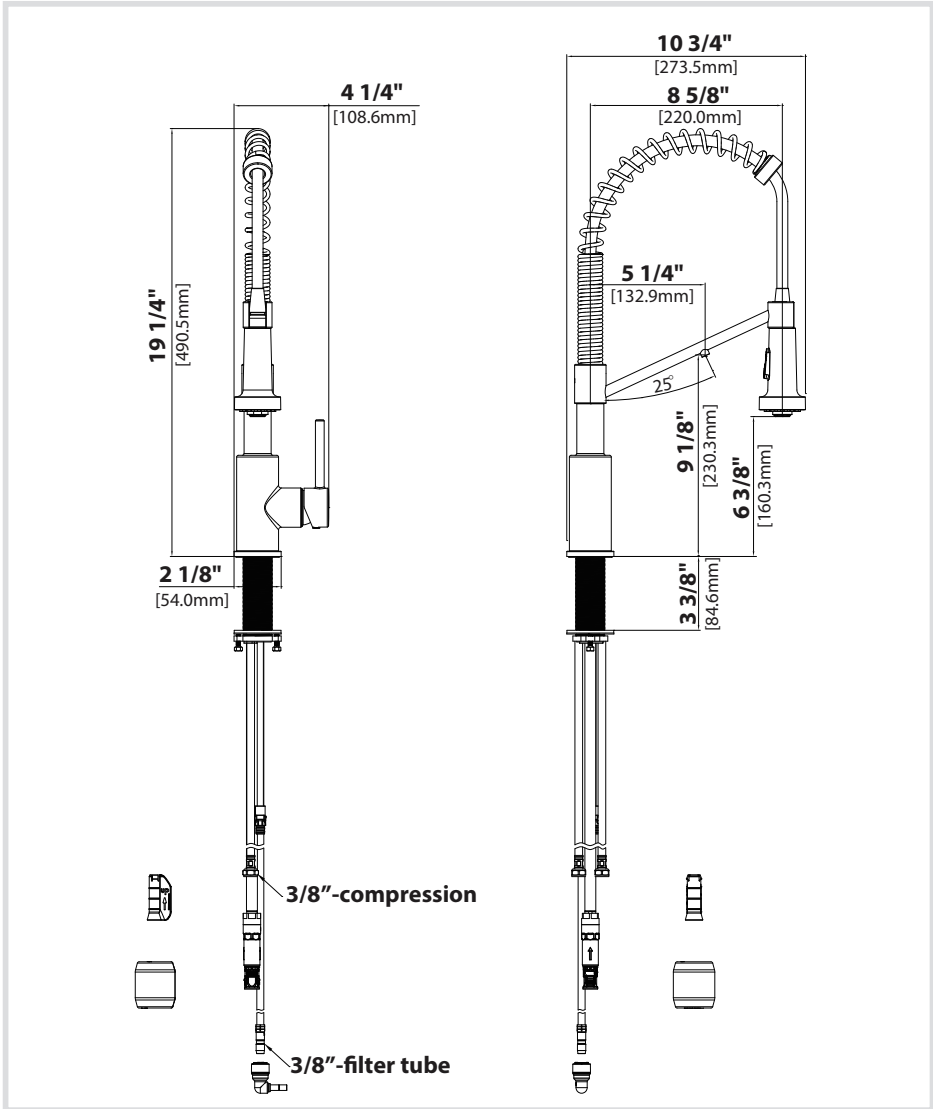


Diagram and Parts List



- | | |
|------------------|--------------------------------|
| A. Spray Head | G. Weight |
| B. Faucet Body | H. Weight Clip |
| C. Rubber Washer | I. Quick Connector |
| D. Metal Washer | J. 3/8" to 1/4" Filter Adapter |
| E. Mounting Nut | K. 2.5mm Hex Wrench |
| F. Screws | |

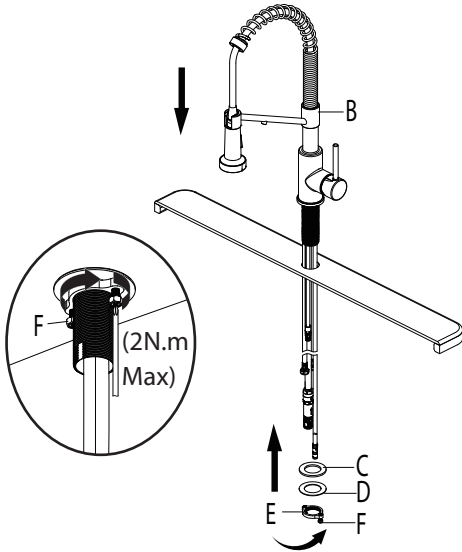
Faucet Dimension



Installer Tip:

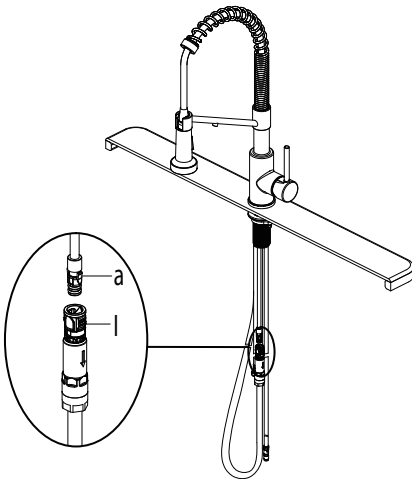
Shut off main water supply before installing new faucet

Step 1: Installing the faucet



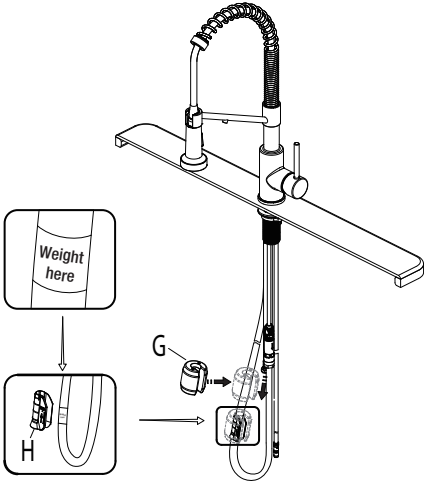
Shut off the water supply. Place faucet (B) through the hole in countertop. Secure the faucet (B) to the countertop using the rubber washer (C), metal washer (D) and mounting nut (E) provided. Tighten screws (F).

Step 2: Securing the faucet assembly



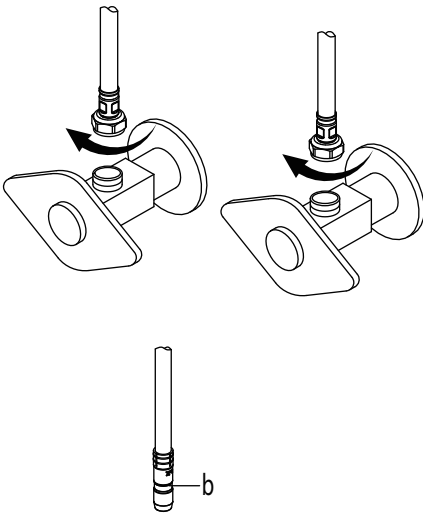
Push the quick connector (I) firmly upward and attach it to the receiving block (a). Pull down moderately to ensure the connection has been made.

Step 3: Securing the faucet assembly



Install the weight clip (H) at the point of the hose marking "weight here". Insert the weight (G) onto the weight clip (H) by sliding it down onto the weight clip (H).

Step 4: Connect waterlines to main valve



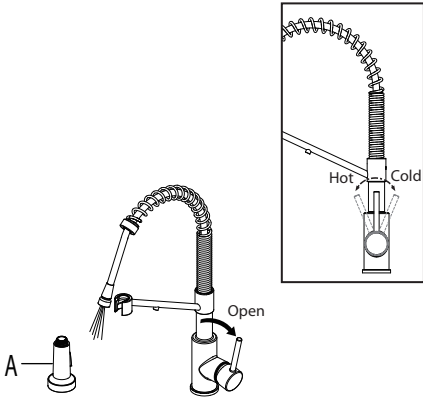
Attach waterlines to angle stops and tighten until snug. Turn on angles stops and check for leaks (DO NOT TURN FAUCET ON)

NOTE: Please make sure filter washers are installed before connecting to the main valve.

Connect the filter water inlet pipe (b) into the end of the filtration manifold (not including). Pull moderately to ensure the connection has been made.

NOTE: 3/8" typical connection attached. 1/4" connector / reducer included in the box for A-typical connections.

Step 5: Flushing and checking for leaks



Unfiltered Water Function

Pull the hose assembly out of the spout and remove the spray head (A) by unscrewing it from the hose in a counterclockwise direction. Be sure to hold the end of the hose down into the sink and turn the faucet to the warm position where it mixes hot and cold water. Pulling the handle towards yourself will turn the water to hot. Pushing the handle away from yourself will turn the water to cold. Flush the water lines for one minute. This flushes away any debris that could cause damage to internal parts. Check for leaks. Re-tighten any connections if necessary, but do not over-tighten. Reinstall the spray head (A) by hand tightening it back onto the spray hose in a clockwise direction.

NOTE: Please make sure washer is installed attaching spray head to hose.

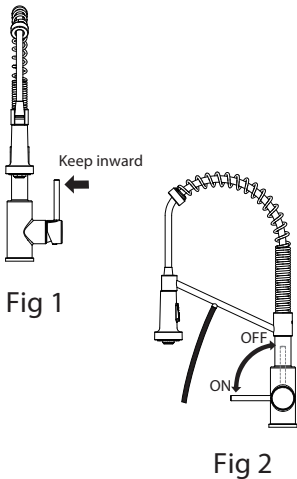


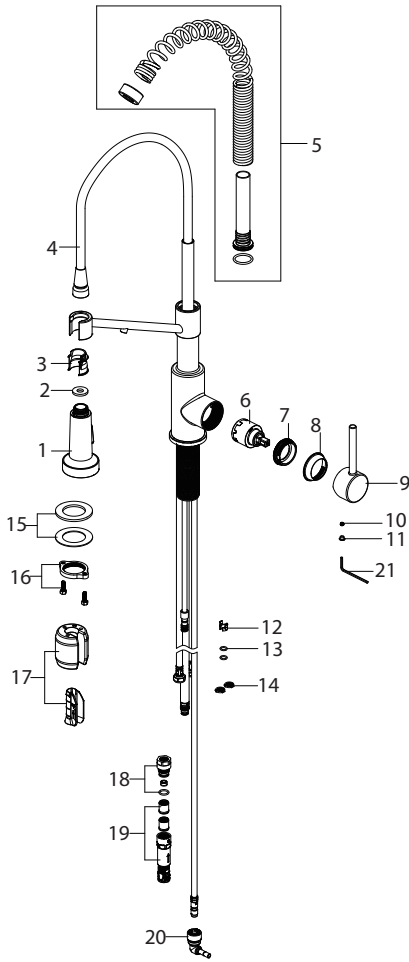
Fig 1

Fig 2

Filtered Cold Water Function

Make sure the the faucet is closed and do not open the handle outward, as shown in the Fig 1. Maintain the state of the Fig 1, pulling the handle towards yourself will activate the filtered water, as shown in the Fig 2. Flush the water lines for one minute. This flushes away any debris that could cause damage to internal parts. Check for leaks. Maintain the state of the Fig 1, pushing the handle away from yourself will turn off the filtered water, as shown in the Fig 2.

Replacement Parts



Replacement Parts List	Finish / Color	Part #
1. Sprayer Head	CH, SFS, MB, BB SFACB*	KP27216
2. Washer		KP27208
3. Inverter		KP27245
4. Sprayer Hose	GRCH, GRSFS, BLBB, BLSFS BLMB, BLSFACB*	KP27247
5. Spring Assembly	CH, SFS, MB, BB SFACB*	KP27220
6. Cartridge		KP27234
7. Bonnet Nut		KP27235
8. Cap	CH, SFS, MB, BB SFACB*	KP27081
9. Handle	CH, SFS, MB, BB SFACB*	KP27072
10. Set Screw		KP27001
11. Index	GR, BL*	KP27002
12. Block		KP27073
13. O-ring		KP27092
14. Filter Washer		KP27167
15. Rubber & Metal Washer		KP27028
16. Mounting Nut & Screw		KP27079
17. Weight & Clip Assembly		KP27236
18. 1.8GPM Flow Restrictor	WHITE	KP27074-WH
19. Quick Connector Assembly		KP27090
20. Connector		KP27237
21. Hex Wrench		KP27020

*Denotes faucet component color options: CH- Polished Chrome ; SFS - Spot Free Stainless Steel ; MB - Matte Black; SFACB - Spot Free Antique Champagne Bronze; GR - Grey; BL - Black; Black hose w/ Matte Black connector (BLMB); Gray hose with Spot-Free Stainless connector (GRSFS); Gray hose with Polished Chrome connector (GRCH) BB - Brushed Brass ; SFSMB - Spot Free Stainless Steel/Matte Black ; BBMB - Brushed Brass/Matte Black ; Black hose w/ Brushed Brass connector (BLBB); Black hose w/ Spot-Free Stainless connector (BLSFS);

Troubleshooting

If you have followed the instructions carefully and your faucet still does not work properly, take the following coorrective steps:

PROBLEM	CAUSE	ACTION
Leakage under the handle	Bonnet nut (7) has come loose	Remove the index (11). Loosen set screw (10) with hex wrench (21). Remove the handle (9). Unscrew cap (8) (by hand only). Tighten bonnet nut (7) with an adjustable wrench
The aerator has an irregular or reduced water flow	The aerator is dirty or mis-fitted	Remove the aerator and check for debris. Ensure that the rubber washer is properly installed.
Water will not shut off completely	Cartridge may need to be adjusted or replaced	Remove the index (11). Loosen set screw (10) with hex wrench (21). Remove the handle (9). Unscrew cap (8) (by hand only). Tighten bonnet nut (7) with an adjustable wrench. Remove the cartridge (6). Check for cracks
There is leaking from the sink drain at the base of the sink.	The sink has a rough or irregular surface.	Apply additional silicone sealant to the beveled side of the drain flange. Retighten and test for leaks
There is a low flow of water.	The filter washer in the hose connectors is dirty.	Turn off the water supply at water valve and unscrew the hose connectors from water supply lines. Clean the filter washer in the water lines with hot water, removing any debris or calcium build up

Care & Maintenance

*To keep the product clean & shining, follow the steps below :

1. Rinse with clean water & dry with a soft cloth
2. Do not clean with soaps, acid, polish, abrasives, or harsh cleaners
3. Do not use cloth with a coarse surface
4. Unscrew the aerator and clean when necessary

*This installation manual is subject to change without further notice.



Codes/Standards Applicable:

NSF/ANSI 372



LEAD FREE



NSF/ANSI 61



ASME A112.18.1

1.8GPM 6.8L/min maximum

Faucet Warranty

Kraus products are manufactured and tested to the highest quality standards by Kraus USA Inc. ("Kraus"). Kraus extends this warranty to the original purchaser for personal household use of the "Faucet" in its original location. The warranty is non-transferable.

Kraus warrants the structure and finish of the product to be free from defects in material and workmanship under normal usage for the lifetime of the product. The warranty commences from the initial date of purchase by the owner or trade professional, from an authorized Kraus dealer, through the lifetime of the original owner or end-user.

Kraus warrants the mechanical components such as but not limited to sprayhead assembly (includes engine, aerators, structure, restrictors, back flow preventers, sprayer hoses, braided supply line hoses which encompasses nylon, silicon and stainless steel, etc) of the product to be free from defects in material and workmanship under normal usage for a period of one (1) year. The warranty commences from the initial date of purchase by the owner or trade professional, from an authorized Kraus dealer, through the one (1) year term of the original owner or end-user.

Kraus warrants the mechanical component (cartridge) of the product to be free from defects in material and workmanship under normal usage for a period of five (5) years. The warranty commences from the initial date of purchase by the owner or trade professional, from an authorized Kraus dealer, through the five (5) year term of the original owner or end-user.

Kraus warrants all electronic parts other than batteries to be free from defects in material and workmanship for a period of two (2) years. The warranty commences from the initial date of purchase by the owner or trade professional, from an authorized Kraus dealer, through the two (2) year term of the original owner or end-user. No warranty is provided on batteries.

Any product reported to the authorized dealer or to Kraus as being defective within the warranty period will be repaired or replaced with a product of equal value at the option of Kraus. This warranty extends to the original owner or end-user, and is not transferable to a subsequent owner.

Restrictions

This warranty does not cover antediluvian, discontinued, or display products, whether such items are purchased at discount outlets, unauthorized dealers, and/or sold on clearance.

This warranty does not cover instances of negligence, misuse, abuse, improper installation, carelessness, accident, hard water or mineral deposits, exposure to corrosive materials, misapplication, damages caused by improper maintenance, alteration of the product, or failure to follow care or installation instructions enclosed with your product. Avoid using abrasive cleaners such as powders, bleach, ammonia, alcohol, or chlorine. Avoid using abrasive pads, steel wool, or wire brushes, as these will damage and wear down the finish.

This warranty does not apply to Products that have not been installed or operated in accordance with instructions supplied by Kraus and all applicable rules, regulations, and legislation pertaining to such installations.

This warranty does not apply unless the Kraus product is installed by a fully insured and licensed trade professional. Kraus insists that such professionals have experience in the installation of bathroom and kitchen manufactured goods.

This warranty does not cover labor charges or costs of removal and reinstallation of said product. This warranty does not allow recovery of incidental or consequential damages, such as loss of use, delay, property damage, or other consequential damages, and Kraus accepts no liability for such damages.

This warranty does not cover Marine or Outdoor Installation.

Except as otherwise provided above, Kraus makes no warranties, expressed or implied, including warranties of merchantability and fitness for a particular purpose, or compliance with any code.

Shipping charges will be covered for the first (1) year of the warranted replacement part or product (HI, AK, and Puerto Rico shipping charges may apply). International shipping fees are not included.

Commercial Warranty

Kraus extends the above warranty for a period of one (1) year to purchasers of products for industrial, commercial, and business use.

All incidental or consequential damages are specifically excluded. No additional warranties, express or implied, are given, including but not limited to any implied warranty of merchantability or fitness for a particular purpose. Some states do not allow the exclusion or limitation of incidental or consequential damages or limitations on how long an implied warranty lasts, so the above limitations or exclusions may not apply to you. This warranty gives you specific legal rights, and you may also have other rights which vary from state to state.

If you are a homeowner please contact a Kraus Customer Service Representative at:

Kraus USA, Inc.
12 Harbor Park Drive
Port Washington, NY 11050
Toll-free 800-775-0703
Customerservice@kraususa.com

If you are a plumbing contractor or trade professional please contact a Kraus Pro Representative at:

Kraus USA, Inc.
12 Harbor Park Drive
Port Washington, NY 11050
516-801-8955
Proservice@kraususa.com

If you are an Authorized Partner please contact a Partner Support Representative at:

Kraus USA, Inc.
12 Harbor Park Drive
Port Washington, NY 11050
516-801-8954
Partnersupport@kraususa.com

In requesting warranty service, please be ready to provide:

1. Proof of purchase.
2. A description of the problem.

Download the Kraus Care & Maintenance Guide at:

<http://www.kraususa.com/maintenance>

IMPORTANT

Register Your Kraus Product

Activate Your Warranty

Access Premium Customer Support

Get Product Information

REGISTER TODAY

<http://www.kraususa.com/registration>



Kräus[®]
www.kraususa.com