

ALL-IN-ONE
TOUT-EN-UN
TODO EN UNO

UTILITY SINK STATION WITH FAUCET AND STRAINER
ÉVIER UTILITAIRE, ARMOIRE DE RANGEMENT ET ROBINET
FREGADERO DE SERVICIO, GABINET DE ALMACENAMIENTO Y GRIFO



- * Product may appear different than shown above
- * Le produit peut sembler différent de celui illustré ci-dessus.
- * El producto puede parecer diferente al que se muestra arriba.

OWNER'S MANUAL
MANUEL DE L'UTILISATEUR
MANUAL DEL USUARIO

QL200KB
QL200KS
QL201KB
QL201KS
REV. 20220607

Table of Contents

Safety Information	2	Mounting the Sink	11
Warranty		Placement	11
One Year Limited Warranty.....	3	Supply Line Assembly	11
Warranty Claim Procedure.....	3	Maintenance	
Pre-Installation		Cartridge Replacement	12
Tools/Materials Required.....	4	Care and Cleaning	
Package Contents	5	Sink	13
Installation		Service Parts	14
Preparation	6	MANUEL DE L'UTILISATEUR	15
Stand Assembly	7	MANUAL DEL USARIO	29
Faucet Installation	9		
Strainer Installation	10		

Safety Information

READ AND SAVE THESE INSTRUCTIONS

! DANGER: Failure to follow warnings and cautions could result in serious injury.

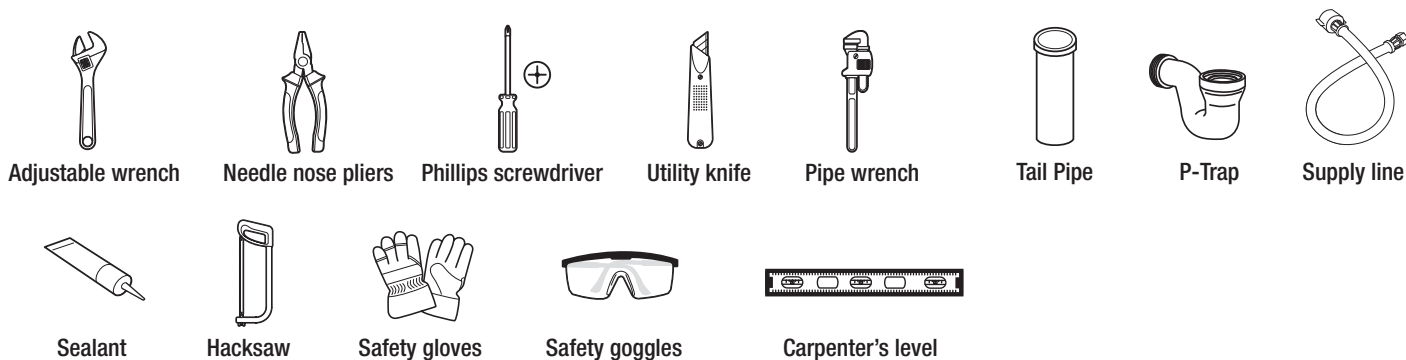
Use cabinet on level ground. Do not sit or stand on cabinet.

Always wear safety goggles and gloves in order to avoid personal injury

1. Unpack and inspect this product for chips, scratches, cracks, dents, and scuff marks. Do not install this product if any damages or defects are identified.
2. Use this product only in the manner intended by the manufacturer. If you have any questions, contact the manufacturer.
3. Installation work and plumbing must be done by qualified person(s) in accordance with all applicable codes and standards.
4. Protect the entire surface during installation.

Pre-Installation

TOOLS/MATERIALS REQUIRED (NOT SUPPLIED)



Warranty

ONE YEAR LIMITED WARRANTY

A thorough inspection must be made before installation and any damage must be promptly reported. We will not be liable for failures or damage that could have been discovered or avoided by proper inspection and testing prior to installation.

Conglom Inc. warrants this product to be free from defects in materials or workmanship for one (1) year from the date of purchase. Proof of purchase (original sales receipt) from the original consumer purchaser must be made available to Conglom Inc. for all warranty claims.

This warranty is non-transferable and shall be voided if the unit is removed from its initial installation or if it is not installed following the manufacturer's instructions. It does not apply in the event of product damage due to the use of other than genuine Conglom Inc. replacement parts, (Replacement parts may be obtained by e-mail at cs@conglomkb.com or by calling 1-877-333-0098 between 8:30 am - 5:00 pm EST) installation error, abuse, misuse or improper care and maintenance (whether performed by a plumber, contractor, service provider or member of the purchaser's household). The warranty excludes damage due to aggressive air or water conditions, harsh or abrasive cleaners and/or materials.

Under no circumstance shall we be held liable for personal injury or property damage resulting from improper installation or use of this product. We will not be held liable for inconvenience caused by loss of use of this product, costs incurred for labour or materials, removal and installation of replacement units, or any other incidental or consequential damages. Costs relating to obtaining access for repair or replacement are the responsibility of the user.

Our obligation shall be limited to the repair or replacement of a unit (at our discretion) that may prove, by our sole examination, to be defective under normal use and service during the warranty period.

Any failure of this product that is not traceable to a defect in material or workmanship is not covered by this warranty. These non-warrantable items include, but are not limited to:

- Improper installation not in accordance with manufacturer's instructions.
- Dents and/or scratches incurred during shipping, handling, or installation.
- Change in colour or finish due to chemical usage.
- Damage caused by failure to follow care and cleaning guidelines, including damage caused by the use of abrasive cleaners.
- Alterations made to the unit by the purchaser or installer.
- Damage caused by accidental impact, fire, flood, freezing, and normal wear.
- Bends and warping caused by forced connections, over-tightened fittings, and inadequate support during installation.
- Damage caused by use of chlorine-based cleaners.

This warranty does not extend to commercial and institutional installation or use.

WARRANTY CLAIM PROCEDURE

If a claimable defect occurs or replacement parts are needed, please contact our customer service team at cs@conglomkb.com or 1-877-333-0098 (Service available in English and French, Monday - Friday from 8:30am - 5pm EST).

Before you make your call, please ensure that you have:

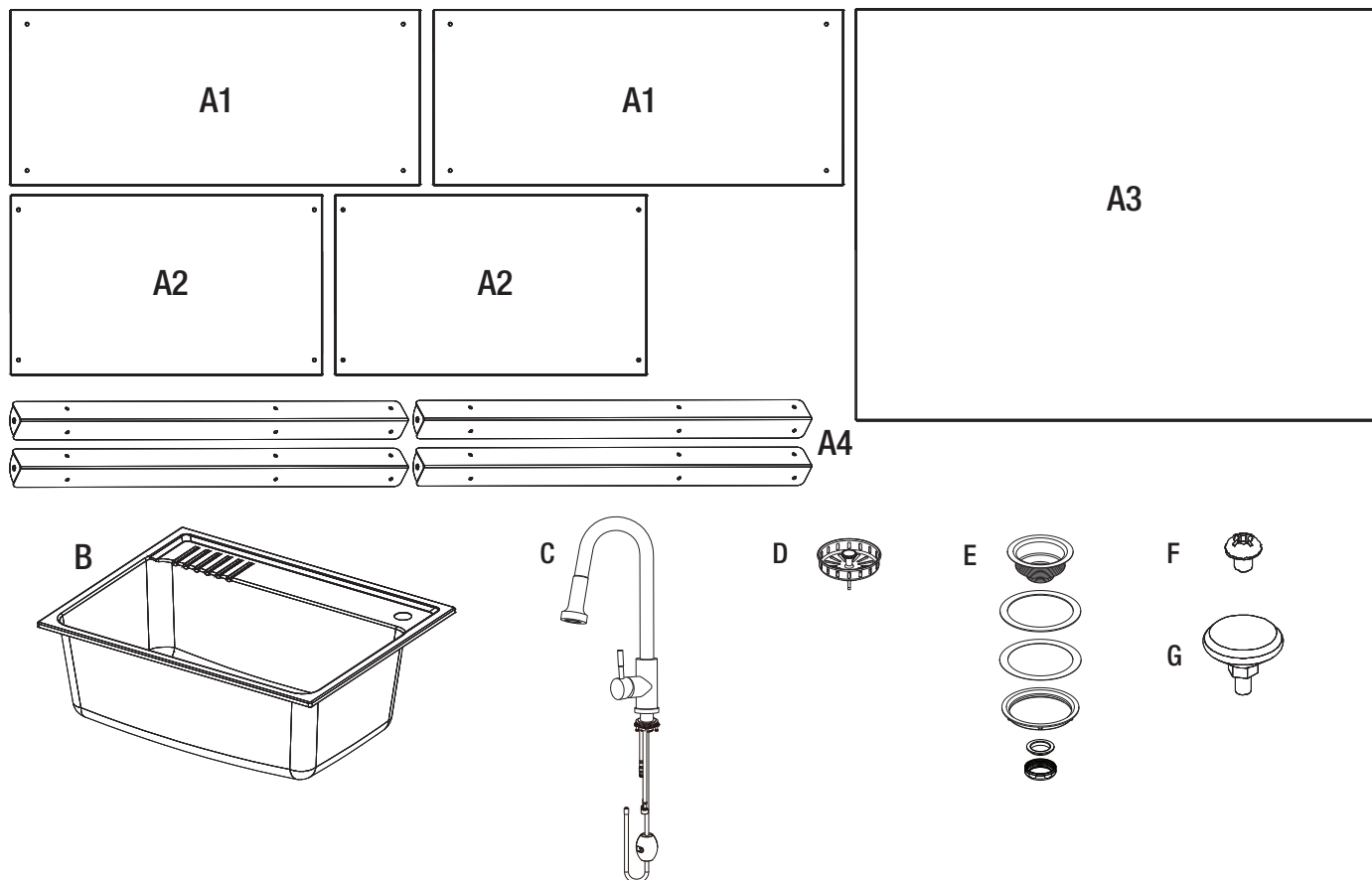
- Model number or description.
- Proof of sale.
- Details regarding the defect and/or part number.
- Name(s) and address(es) of the owner and/or installer.

Pre-Installation (continued)

ENGLISH

PACKAGE CONTENTS

Carefully check the package contents for damage and/or missing parts prior to installation. If there is any damage or if you are missing parts, do not proceed with the installation. Report damage and/or missing parts immediately to our customer service team at cs@conglomkb.com or 1-877-333-0098 (Service available in English and French, Monday - Friday from 8:30 am - 5:00 pm EST). Please do not dispose of packaging before you are satisfied with your new utility sink station.



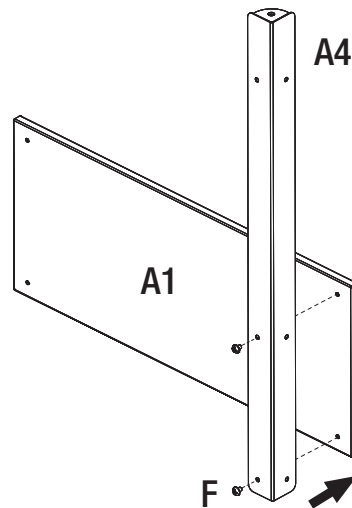
Part	Description	Quantity
A1	Front Apron Panel	2
A2	Side Apron Panel	2
A3	Shelf Panel	1
A4	Leg Posts	4
B	Sink	1

Part	Description	Quantity
C	Faucet	1
D	Strainer Basket	1
E	Strainer Assembly	1
F	Screws	24
G	Leveling Feet	4

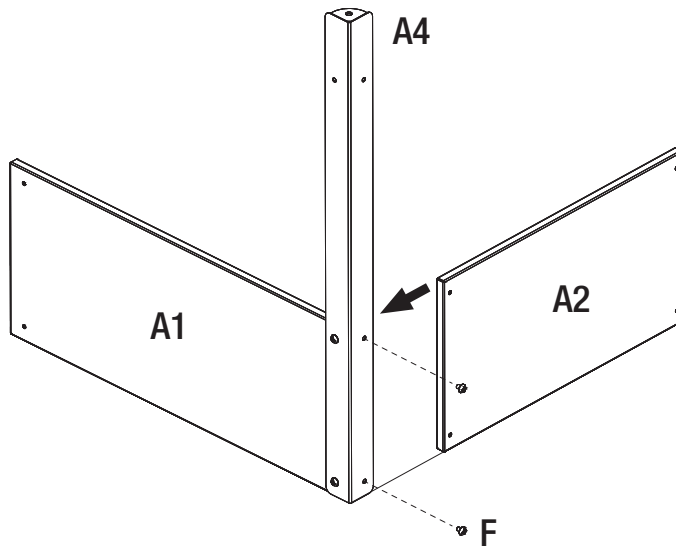
Installation

- Unpack all components and place them on a blanket or cardboard to protect them from dents and scratches.

- Secure leg post (A4) to the front apron panel (A1) using the supplied screws (F). Do not overtighten.



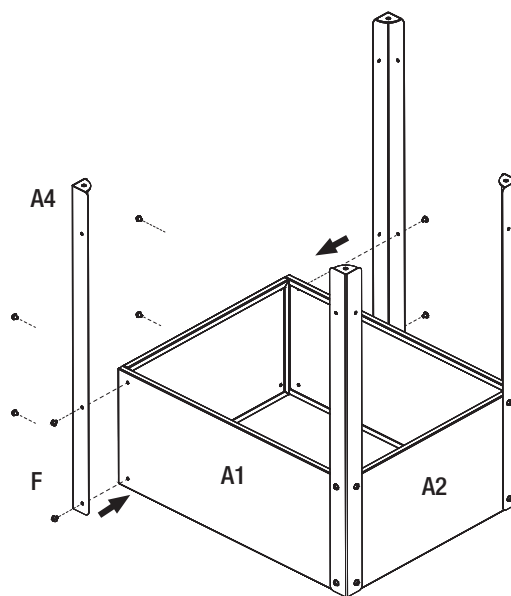
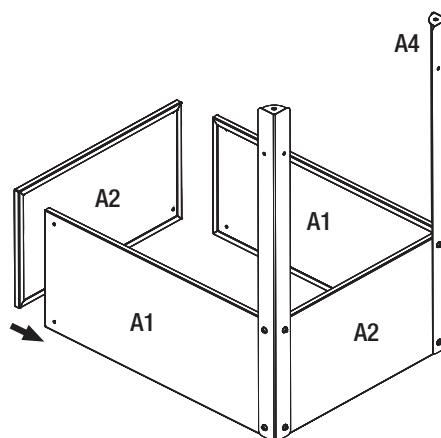
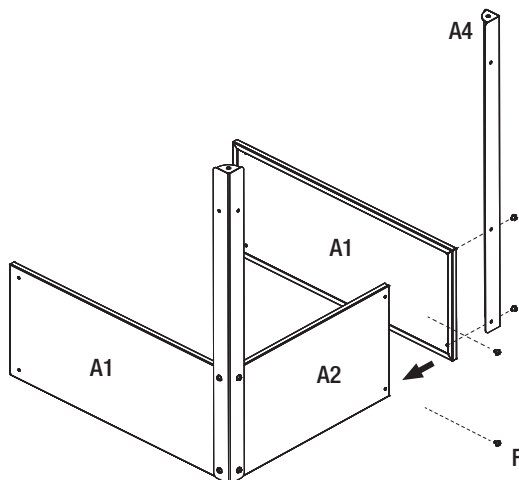
- Secure the side apron panel (A2) to the leg post (A4) using the supplied screws (F).



Installation (continued)

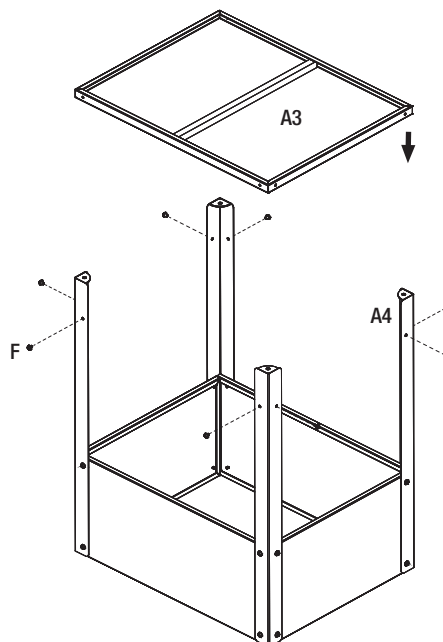
ENGLISH

- Continue to assemble the leg posts to the apron panels using the supplied screws until the apron assembly is complete as depicted below.

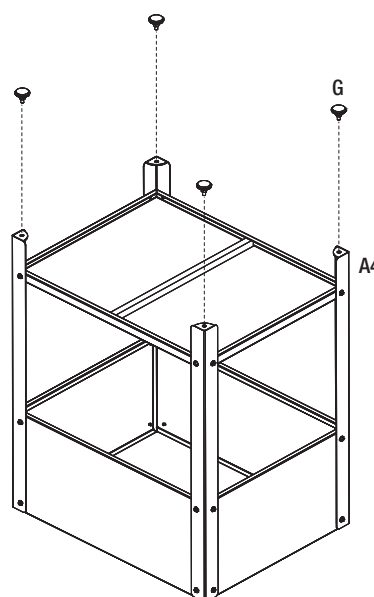


Installation (continued)

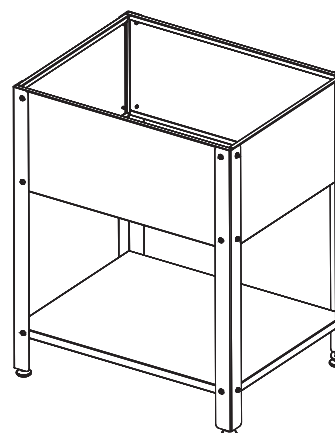
- Secure the shelf panel (A3) to the leg posts (A4) using the supplied screws (F).



- Install the leveling feet (G) into the leg posts (A4) until the threaded shafts are fully installed.



- Gently rotate the sink stand right side up and check to confirm that all the screws have been tightened.
- Proceed to the faucet and strainer installation, prior to securing the sink to the stand.



Installation (continued)

FAUCET INSTALLATION

- Connect the sprayer head (1) to the sprayer head connector (2).
- Remove the gasket (3), metal washer (4), and retaining nut (5) from the faucet.
- Install the faucet through the hole in the sink.
- From underneath, secure the faucet to the sink with the gasket (3), metal washer (4), and retaining nut (5).
- Tighten the retaining nut (5) by hand until it is snug. Use a wrench to tighten it down. Gently tighten the two screws on the retaining nut. Do not overtighten.
- Hand-tighten the hose (6) to the faucet outlet (7). Tighten the fittings using two wrenches. Hold the faucet outlet (7) steady with a wrench while turning the hose fitting with another wrench until it is snug.

NOTE: Failing to use two wrenches can damage the faucet. Do not overtighten.

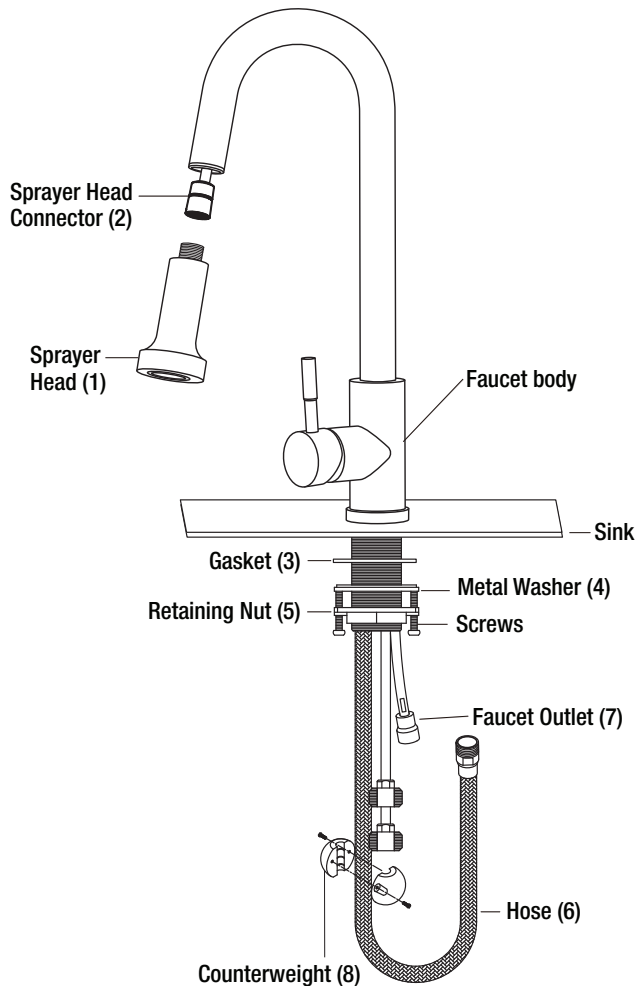


Fig. 9

- Push the sprayer head (1) into the faucet neck. Install the counterweight (8) a couple of inches from the bottom of the hose on the side closest to the sprayer head (1). There should be no slack in the hose and it should retract freely.
- Connect the water supply lines (not supplied) to the faucet.
- This faucet is equipped with standard 1/2" NPS male thread connectors that are compatible with standard 1/2" FIP water supply lines.

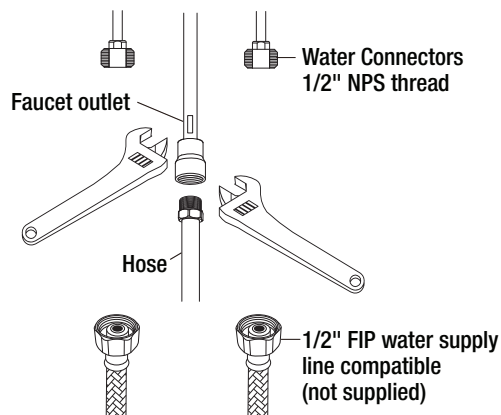


Fig. 10

STRAINER INSTALLATION

- Apply plumbing putty or silicone sealant to the top side of the drain opening.

- Insert the strainer body (1) into the drain opening and press it down until it is evenly seated.

- Assemble the rubber gasket (2), fiber washer (3) and strainer locknut (4) onto the strainer body (1) from underneath the sink. Hand tighten the strainer locknut (4) until it is snug. Do not overtighten.

- Insert the plastic flange (5) into the flange-end of the tailpipe (6) (not supplied) then secure the tailpipe to the strainer body using the connecting nut (7). Tighten the connecting nut (7) until it is snug. Do not overtighten.

- Remove excess sealant from around the drain opening.

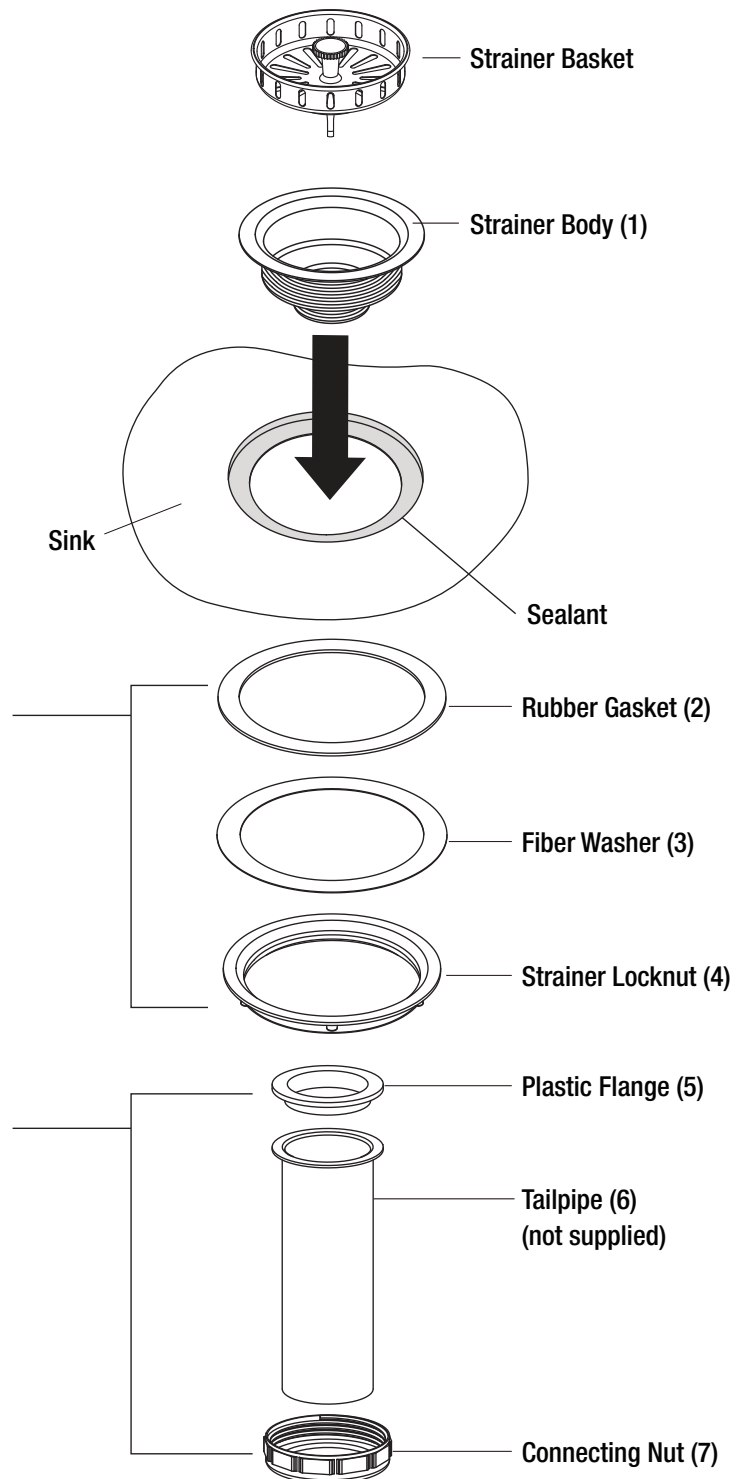


Fig. 11

Installation (continued)

ENGLISH

MOUNTING THE UTILITY SINK

- Carefully place a bead of sealant all around the top of the sink stand (A).
- Ease the sink (B) into the stand (A), ensuring that it is placed evenly and is centered on the cabinet. Wipe off any excess sealant. Use masking tape to hold the sink in place until the sealant dries. Ensure the sink flange wraps all around the top of the sink.

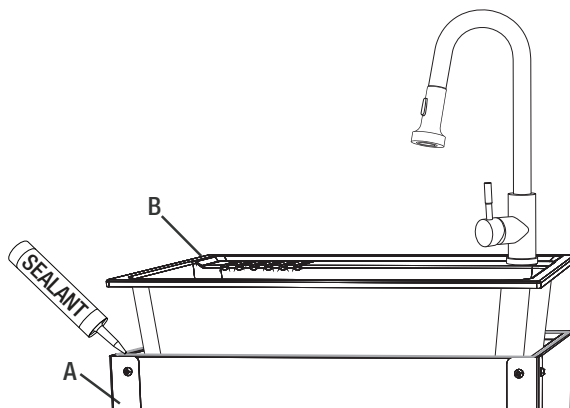


Fig. 12

PLACEMENT

- Push the stand (A) against the wall. Position the stand as desired. If required, level it by adjusting the four leveling feet and checking the alignment of the sink (B) using a carpenter's level.

IMPORTANT: Secure the cabinet to the wall using hardware best suited for your wall type. Failing to do so could result in property damage or personal injury.

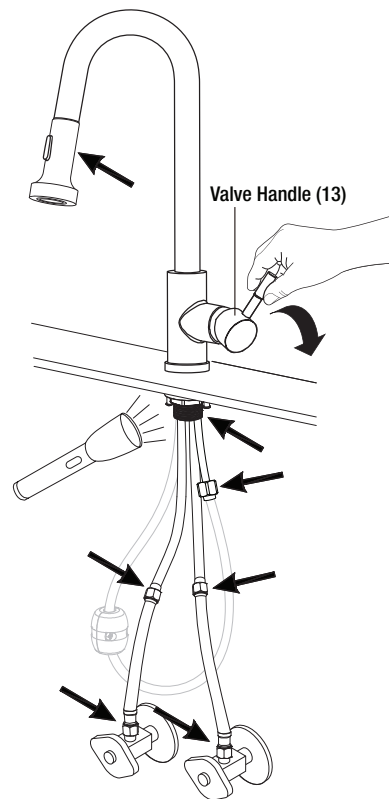
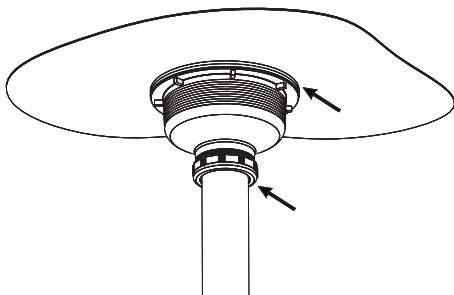
Use silicone sealant to seal the sink to the wall and any adjacent surfaces to keep those surfaces dry. Failing to do so could result in moisture damage.

DRAINAGE

- The tailpipe (not supplied) previously installed to the drain can now be connected to your household plumbing. In some cases, your household plumbing will have to be modified to ensure proper drainage. If so, please consult a licensed plumber to complete needed modifications.

FINAL INSPECTION

- Connect the supply lines to your home's water supply as per manufacturer's instructions.
- Open your home's hot and cold water supply valves and carefully inspect all connections for leaks.
- Move the valve handle (13) to the open mixed position by turning it to the middle and pulling it away from the faucet.
- Run the water uninterrupted for about one minute to remove any residue from the lines and inspect all connections for leaks once again. Also inspect all drain and plumbing connections for leaks.



CARTRIDGE REPLACEMENT

- Turn off the water supply to the faucet.
- Unscrew the handle lever (1). Loosen the set screw (2) with the hex key and remove the handle body (3).
- Gently unscrew the decorative cap (4) and retaining nut (5).
- Pull the cartridge (6) out of the faucet body (7) and replace it with a new ceramic cartridge. Ensure new cartridge is seated properly with the locating pins in appropriate place.
- Secure the cartridge in place using the retaining nut (5).
- Gently tighten the retaining nut (5) using a wrench. Do not overtighten.
- Reinstall the decorative cap (4). Slide the handle body (3) back onto the cartridge and make sure it rotates freely. Secure the handle body (3) in place using the set screw (2) and reinstall the handle lever (1).
- Turn the water supply to the faucet back on.
- Operate the faucet to make sure everything works correctly and check for leaks.

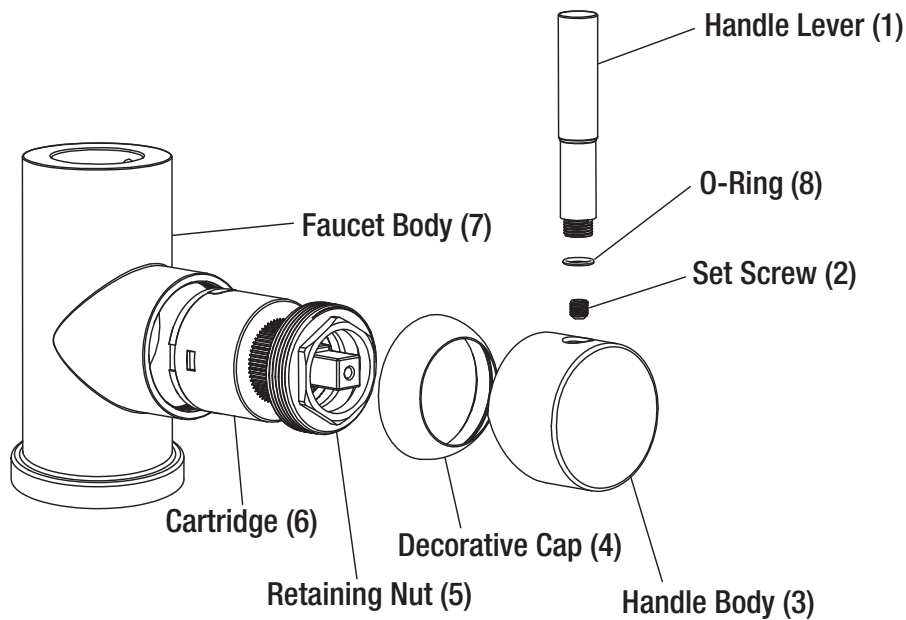


Fig. 14

Care and Cleaning

Your utility sink station is manufactured with the highest grade materials and will provide you many years of enjoyment with the proper care.

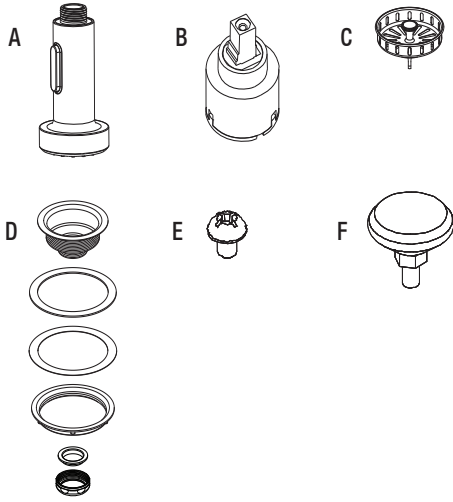
Do
<ul style="list-style-type: none"> - After use, always rinse your sink with tap water to dilute and remove deposits. - Towel dry after use whenever possible to prevent water spots. Should water spots occur, clean with a mild solution of vinegar and water followed by a thorough rinse. - Use liquid soap, a general household cleaner, or a weak solution of vinegar and water for regular cleaning. - Only use plastic scouring pads recommended for use on stainless steel brush finishes.

Do not
<ul style="list-style-type: none"> - Do not allow any food, detergent, soap or grease to dry or sit for extended periods of time on the surface of the sink. - Never use abrasive cleaning products, as they will dull and scratch the finish. - Do not use scouring pads as they will dull the finish. - Never use steel wool pads or leave steel/cast iron pans in your sink for extended periods of time, as they will leave iron particles on the sink, which can cause corrosion. - Never use chlorine-based cleaners on steel surfaces, they could lead to rust spots and discoloration. If you must use them, rinse sink thoroughly with fresh water immediately after use.

SCRATCH, SPOT, AND BLEMISH REMOVAL AND SURFACE RESTORATION:
 Little rust spots and blemishes that periodically appear on steel surfaces are typically the result of the steel interacting with the chemicals found in the vast spectrum of substances that sinks are commonly exposed to. They may also get transferred from other objects placed or left in the sink. Scratches are the result of regular wear and tear.
 To remove scratches, spots, and blemishes, rub them with a non-metallic scouring pad (e.g. Scotch-Brite®) combined with a mild abrasive cleaner (e.g. Barkeeper’s Friend®). Always rub the surfaces in the direction of the grain of the steel. When finished, rinse the steel surface with water and dry it with a towel to allow the steel surface to form a protective outer layer.

Service Parts

If you are missing parts or if you require replacement parts, please contact our customer service team at cs@conglomkb.com or 1-877-333-0098 (Service available in English and French, Monday - Friday from 8:30am - 5pm EST). Identify the required part(s) and have the part number(s) ready.



Part	Description	Quantity	QL200KB QL201KB Code	QL200KS QL201KS Code
A	Sprayer Head	1	QHL223	QHL223
B	Ceramic Cartridge	1	QHL216	QHL216
C	Strainer Basket	1	QHL177	QHL177
D	Strainer Assembly	1	QHL176	QHL176
E	Assembly Screws	24	QHL316	QHL315
F	Leveling Feet	4	QHL317	QHL318

Table des matières

USER'S MANUAL	2	Installation de la crépine	23
Consignes de sécurité	16	Installation de l'évier	26
Garantie		Mise en place	26
Garantie limitée d'un an	17	Assemblage des tuyaux d'alimentation	26
Procédure de réclamation pour la garantie	17	Entretien	
Préinstallation		Remplacement de la cartouche	27
Outils/matériaux requis	18	Soin et nettoyage	
Contenu de l'emballage	19	Évier	28
Installation		Pièces de rechange	29
Préparation	20	MANUAL DEL USARIO	30
Assemblage du support	21		
Installation du robinet	23		

Consignes de sécurité

LIRE ET CONSERVER CES INSTRUCTIONS



AVERTISSEMENT : Toujours porter des lunettes et des gants de sécurité pendant l'installation afin d'éviter les blessures.

1. Une fois le produit déballé, vérifiez s'il y a des rayures, fissures, bosses ou éraflures. Si des dommages sont notés, ne pas installer.
2. Ce produit ne peut être utilisé autrement que pour l'usage prévu par le fabricant. Consulter le fabricant pour toutes questions concernant l'appareil.
3. Votre installation doit être conforme à tous les codes de bâtiment locaux pour la plomberie. Faites en sorte qu'un ouvrier qualifié effectue ou approuve votre installation de plomberie.
4. Protéger la surface lors de l'installation.

GARANTIE LIMITÉE D'UN AN

Inspecter minutieusement le produit avant l'installation et signaler tout dommage sans délai. Nous ne serons pas responsables des défaillances ou des dommages qui auraient dû être découverts ou évités par une inspection adéquate et des essais avant l'installation.

Conglom Inc. garantit ce produit contre tout défaut dans les matériaux ou la fabrication, pour une période d'un (1) an à compter de la date de l'achat. Une preuve d'achat (facture d'achat originale) du consommateur/acheteur original devra accompagner toute réclamation faite à Conglom Inc.

Cette garantie est non transférable et sera nulle si l'unité est enlevée de son installation initiale ou si elle n'est pas installée suivant les spécifications du fabricant. Elle ne s'applique pas dans l'éventualité de dommages causés au produit suite à l'utilisation de pièce(s) de rechange autre que les pièces originales Conglom Inc., (les pièces de rechange peuvent être obtenues en nous écrivant un courriel à cs@conglomkb.com ou en appelant au **1-877-333-0098** entre 8 h 30 et 17 h, H.N.E.) une erreur d'installation, l'abus, l'utilisation ou l'entretien incorrect et le service incorrect (qu'ils soient effectués par un plombier, un entrepreneur, une entreprise de service ou un membre de la famille de l'acheteur). La garantie exclut les dommages causés par des conditions agressives d'air ou d'eau, des nettoyeurs ou des matériaux rudes et/ou abrasifs.

Nous ne pouvons en aucun cas être tenus responsables pour toute blessure corporelle ou tout dommage matériel résultant d'une mauvaise installation ou utilisation de ce produit. Nous ne serons pas tenus responsables de l'incapacité d'utiliser cette unité, des inconvénients, des coûts encourus pour la main-d'oeuvre, des matériaux, de l'enlèvement et de l'installation des unités de remplacement ou d'aucun autre dommage causé par un incident ou accessoire. Les coûts encourus pour obtenir l'accès pour la réparation ou le remplacement sont la responsabilité de l'utilisateur.

Nos obligations se limitent à la réparation ou au remplacement de l'unité (selon notre discrétion) qui peut s'avérer, selon notre examen unique, être défectueuse sous l'utilisation et le service normaux pendant la période de garantie. Nous pouvons émettre un crédit au montant de la valeur de la facture du produit défectueux (ou d'un pourcentage de ce montant selon l'usure) tenant lieu de la réparation ou du remplacement.

Toute défectuosité de l'unité qui ne peut être liée à un défaut de matériel ou de fabrication n'est pas couverte par cette garantie. Ces conditions non garanties incluent, mais ne se limitent pas aux suivantes :

- Une mauvaise installation non conforme aux instructions du fabricant;
- Les bosselures, bosses et rayures causées pendant l'expédition, la manutention ou l'installation;
- Le changement de la couleur ou du fini en raison de l'usage d'un produit chimique;
- Les dommages causés par le non-respect des instructions de soin et de nettoyage, y compris les dommages causés par l'utilisation de produits nettoyeurs abrasifs;
- Toute modification apportée à l'unité par l'acheteur ou l'installateur;
- Les dommages en raison d'un impact accidentel, du feu, d'une inondation, du gel et de l'usure normale;
- Les courbures et les déformations provoquées par des raccords forcés, des fixations trop serrées et un support inadéquat pendant l'installation.

PROCÉDURE DE RÉCLAMATION POUR LA GARANTIE

Si un défaut couvert par la garantie se produit ou que vous avez besoin des pièces de rechange, contacter notre service à la clientèle au cs@conglomkb.com ou au **1-877-333-0098** (service disponible en anglais et français du lundi au vendredi de 8 h 30 à 17 h, H.N.E.).

Avant d'appeler, veuillez-vous assurer d'avoir en main :

- Le numéro de modèle ou une description;
- La preuve d'achat;
- Les détails concernant le défaut et/ou le numéro de la pièce de rechange;
- Le nom et l'adresse du propriétaire et/ou de l'installateur.

Préinstallation

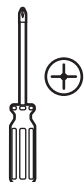
OUTILS/MATÉRIAUX REQUIS (NON INCLUS)



Clé



Pinces



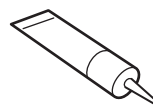
Tournevis
Phillips



Couteau
à lame
rétractable



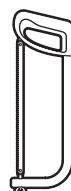
Clé à molette



Mastic



Niveau à bulle



Scie à métaux



Gants de
sécurité



Lunettes de
sécurité

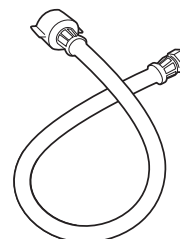
PIÈCES REQUISES (NON INCLUSES)



Tuyaux de
vidange



Siphon-P

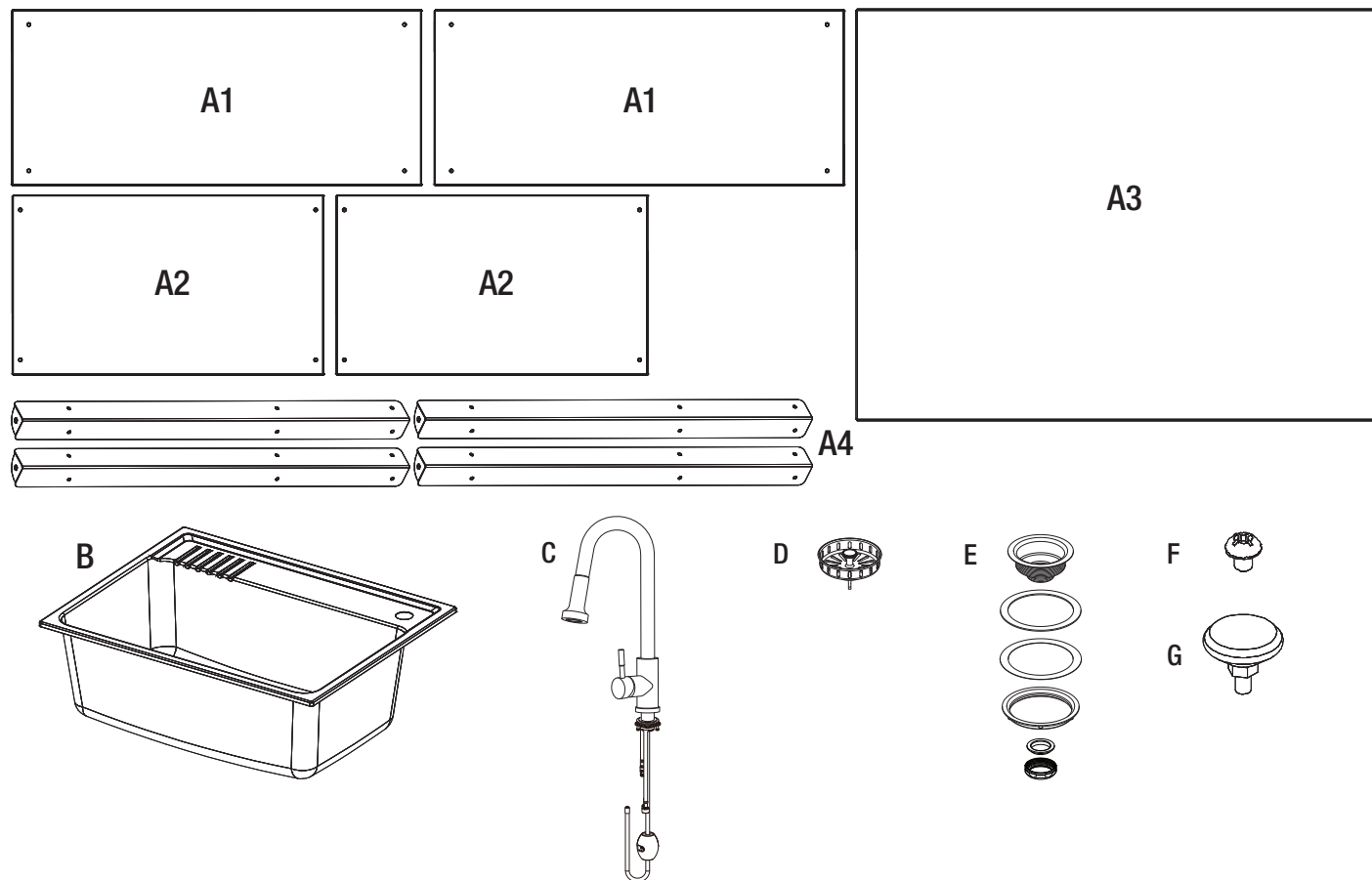


Tuyaux
d'alimentation

Préinstallation (suite)

CONTENU DE L'EMBALLAGE

Vérifier soigneusement que l'unité ne comporte aucun dommage ou pièces manquantes avant l'installation. Dans le cas de dommages ou de pièces manquantes, communiquer avec le service à la clientèle au cs@conglomkb.com ou **1-877-333-0098** (service en anglais et français, du lundi au vendredi, de 8 h 30 à 17 h, HE). Ne pas se débarrasser de l'emballage avant d'être satisfait de ce produit. Ne pas se débarrasser de l'emballage avant d'être satisfait de votre nouvelle station d'évier de service.



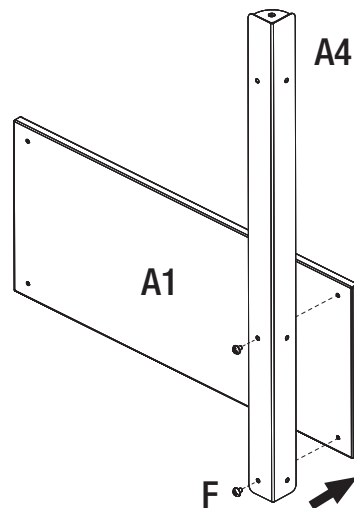
Pièce	Description	Quantité
A1	Panneau de tablier frontal	2
A2	Panneau de tablier latéral	2
A3	Panneau d'étagère	1
A4	Pieds du support	4
B	Évier	1

Pièce	Description	Quantité
C	Robinet	1
D	Crépine	1
E	Corps de la crépine	1
F	Vis, M5x6	24
G	Pattes de l'armoire	4

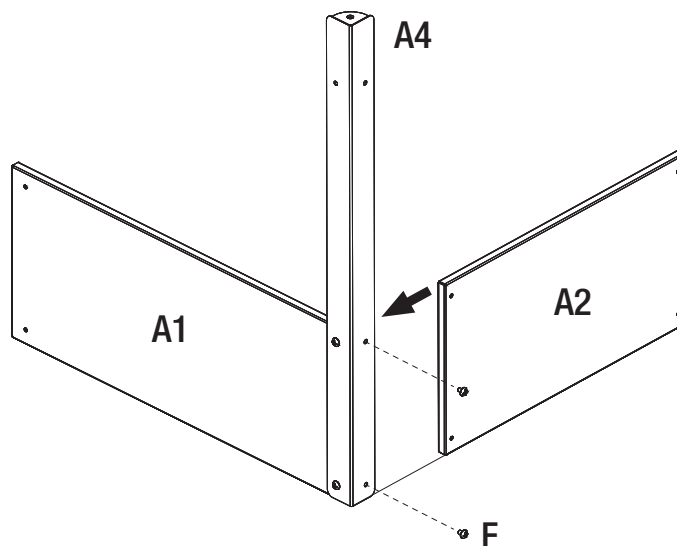
Installation

- Déballer tous les composants et les placer sur une couverture ou un carton pour les protéger des bosses et des rayures.

- Secure Fixer le pied (A4) au panneau de tablier frontal (A1) à l'aide des vis fournies (F). Ne pas trop serrer.

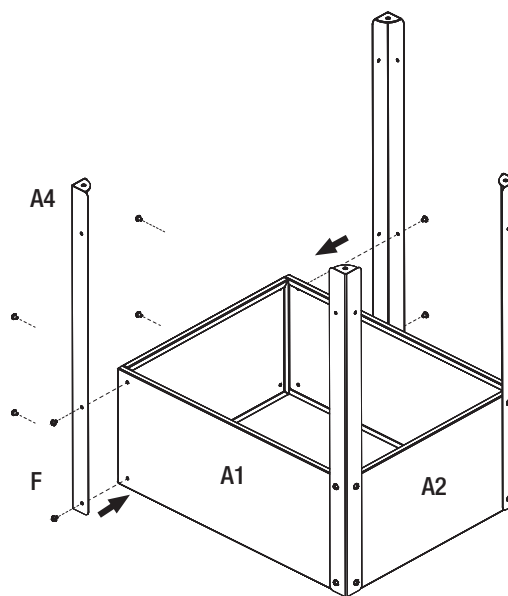
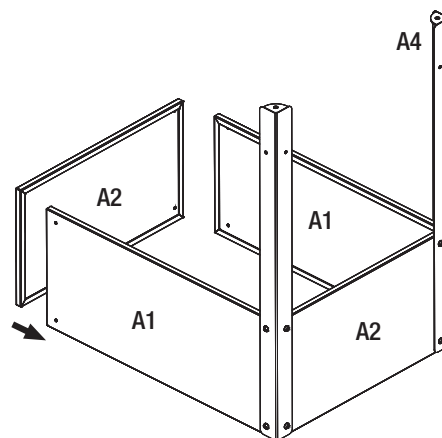
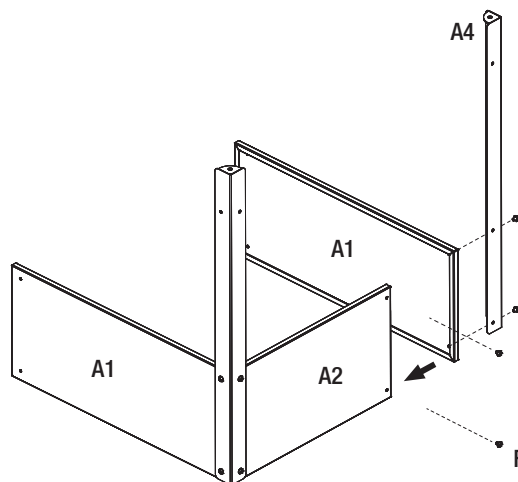


- Fixer le panneau de tablier latéral (A2) au pied (A4) à l'aide des vis fournies (F).



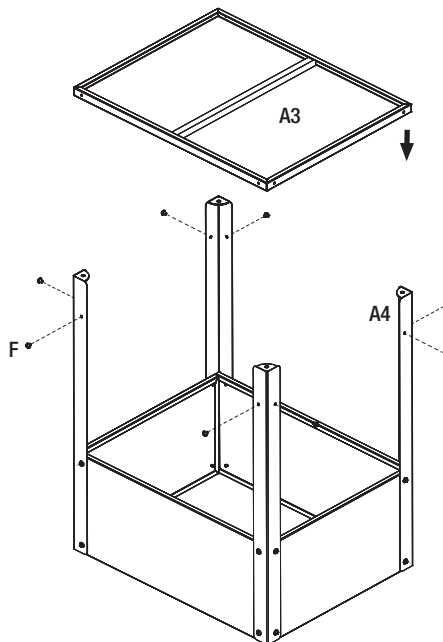
Installation (suite)

- Continuer à assembler les pieds du support aux panneaux de tablier à l'aide des vis fournies jusqu'à ce que l'assemblage du tablier soit terminé, comme illustré ci-dessous.

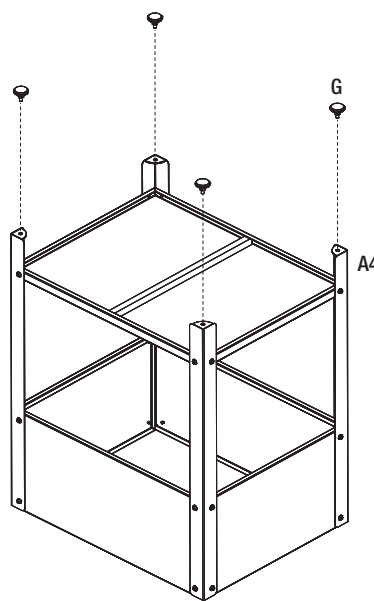


Installation (suite)

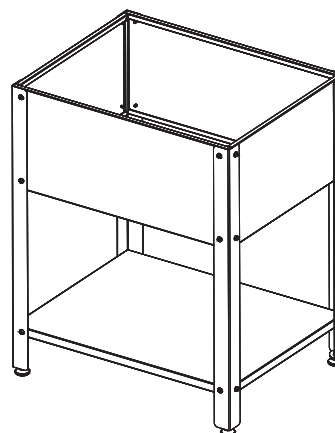
- Fixer le panneau d'étagère (A3) aux pieds (A4) à l'aide des vis fournies (F).



- Fixer le panneau d'étagère (A3) aux pieds (A4) à l'aide des vis fournies (F).



- Remettre doucement le support de l'évier à l'endroit et procéder à l'installation du robinet et de la crépine, avant de fixer l'évier sur le support.
- Vérifier que les vis ont été serrées



Installation (suite)

INSTALLATION DU ROBINET

- Raccorder la douchette (1) au raccord de la douchette (2).
- Retirer le joint (3), la rondelle métallique (4) et l'écrou de serrage (5) du robinet.
- Installer le robinet dans l'orifice de l'évier.
- Par en dessous, utiliser le joint (3), la rondelle métallique (4) et l'écrou de serrage (5) pour fixer le robinet à l'évier.
- Serrer l'écrou de serrage (5) à la main jusqu'à ce qu'il soit bien fixé. Utiliser une clé pour serrer. Serrer délicatement les deux vis sur l'écrou de serrage. Ne pas trop serrer.
- À la main, serrer le tuyau souple (6) à la sortie du robinet (7). Serrer les raccords à l'aide de deux clés. Immobiliser la sortie du robinet (7) avec une clé tout en tournant le raccord avec une autre clé jusqu'à ce qu'elle soit bien fixée.

REMARQUE: Le robinet risque d'être endommagé si deux clés ne sont pas utilisées. Ne pas trop serrer.

- Pousser la douchette (1) dans le col du robinet. Installer le contrepoids (8) à quelques pouces du bas du boyau, du côté le plus proche de la douchette (1). Il ne doit pas y avoir de jeu dans le tuyau souple; il doit se mouvoir librement.
- Raccorder l'alimentation en eau (non incluse) au robinet.
- Ce robinet est équipé de raccords filetés mâles standards d'un diamètre nominal de 1/2 po qui sont compatibles avec les tuyaux d'alimentation d'eau standards FIP (tuyau de fer femelle) de 1/2 po.

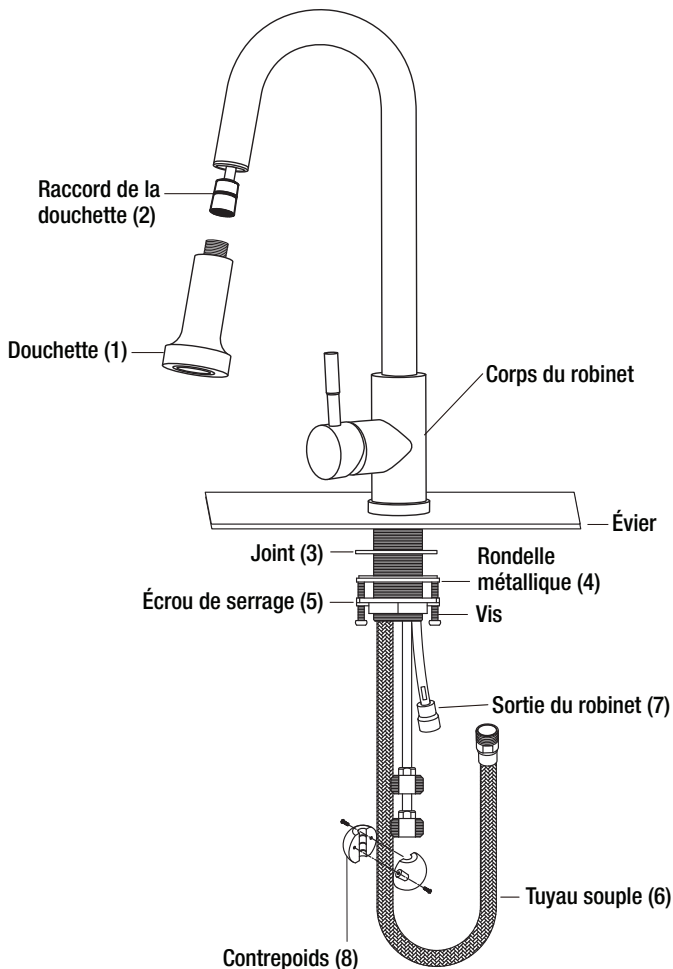


Fig. 9

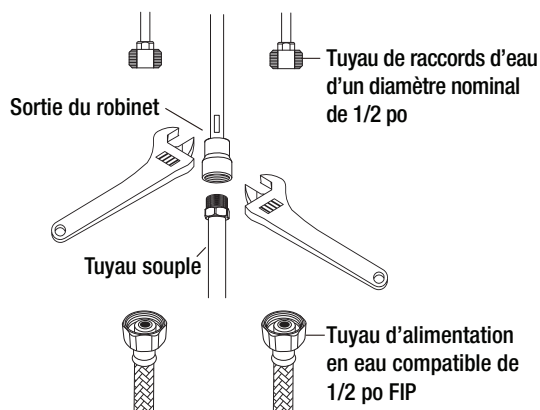


Fig. 10

Installation (suite)

INSTALLATION DE LA CRÉPINE

- Appliquer une bague d'étanchéité en mastic de plomberie ou scellant en dessous de la bride du corps de la crépine.

- Insérer le corps de la crépine (1) dans l'orifice d'évacuation et presser pour bien l'assoir sur la surface.

- Sous l'évier, assembler le joint en caoutchouc (2), la rondelle de friction (3) et l'écrou de blocage (4) sur le corps de la crépine (1). Serrer l'écrou de blocage (4) de la crépine à la main jusqu'à ce qu'il soit bien serré. Ne pas trop serrer.

- Insérer la bride en plastique (5) dans l'extrémité à bride du tuyau de vidange (6) (non fourni), puis fixer le tuyau de vidange au corps de la crépine à l'aide de l'écrou de raccord (7). Serrer l'écrou de raccord (7) jusqu'à ce qu'il soit bien serré. Ne pas trop serrer.

- Enlever l'excédent de mastic autour de l'orifice d'évacuation.

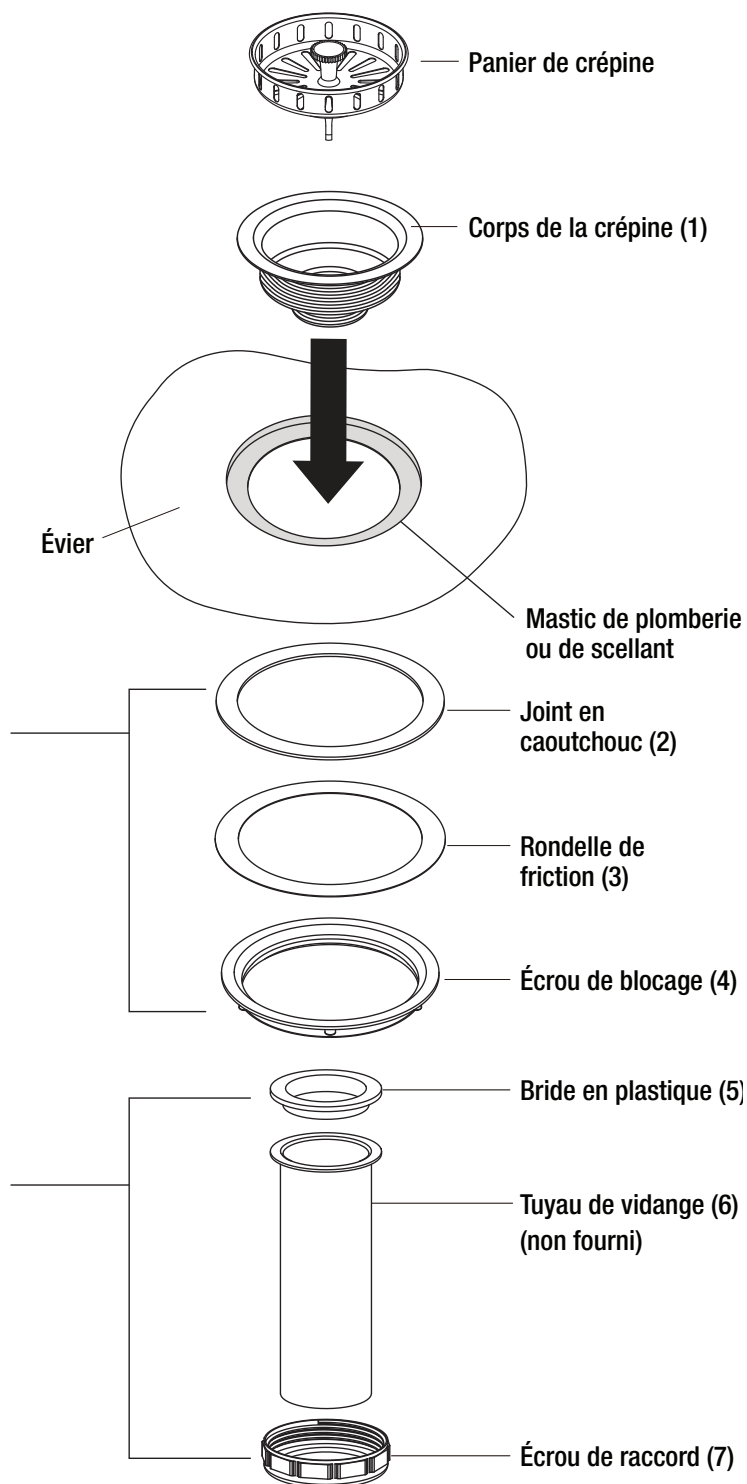


Fig. 11

INSTALLATION DE L'ÉVIER

- Appliquer soigneusement un peu de mastic autour du dessus de l'armoire (A).
- Insérer l'évier (B) dans le support (A). S'assurer qu'il est placé uniformément et centré sur l'armoire (A). Essuyer tout résidu de produit d'étanchéité. Utiliser du ruban-cache pour tenir l'évier (C) en place jusqu'à ce que le mastic soit sec.

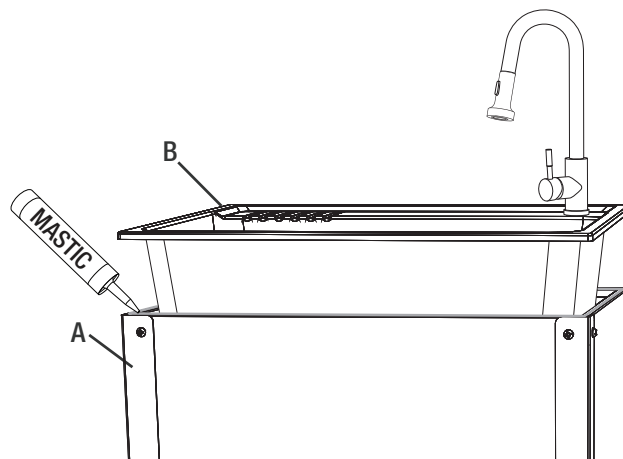


Fig. 12

MISE EN PLACE

- Pousser le support (A) contre le mur. Au besoin, mettre l'armoire à niveau en ajustant les quatre pattes de nivellement et en vérifiant l'alignement de l'évier (B) à l'aide d'un niveau de menuisier.

REMARQUE IMPORTANTE: Fixer l'armoire au mur à l'aide de la quincaillerie la mieux adaptée à votre type de mur. L'omission de le faire pourrait entraîner des dommages matériels ou des blessures.

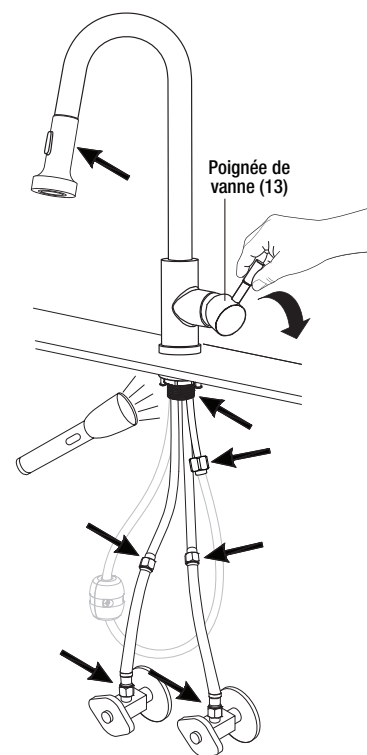
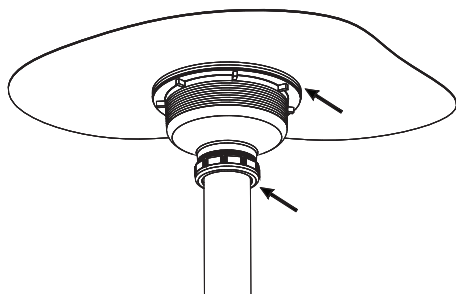
Utiliser du mastic à base de silicone pour sceller l'évier au mur et à toute surface adjacente pour garder ces surfaces sèches. L'omission de le faire pourrait entraîner des dommages causés par l'humidité.

DRAINAGE

- Le tuyau de vidange (non fourni) installé précédemment dans l'orifice d'évacuation peut maintenant être raccordé à la plomberie domestique. Dans certains cas, la plomberie devra être modifiée pour assurer un drainage adéquat. Si c'est le cas, consulter un plombier accrédité pour effectuer les modifications nécessaires.

INSPECTION FINALE

- Brancher les tuyaux d'alimentation à l'alimentation en eau du domicile conformément aux instructions du fabricant.
- Ouvrir les vannes d'alimentation en eau chaude et en eau froide de la maison et inspecter soigneusement tous les raccords pour détecter des fuites potentielles.
- Mettre la poignée de la vanne (13) en position ouverte mixte en la tournant vers le milieu et en l'éloignant du robinet.
- Faire couler de l'eau sans interruption pendant environ une minute pour éliminer tout résidu des tuyaux, puis inspecter de nouveau les raccords pour détecter des fuites potentielles. Inspecter également toutes les raccords de drainage et de plomberie pour détecter les fuites.



REPLACEMENT DE LA CARTOUCHE

- Couper l'alimentation en eau du robinet
- Dévisser le levier de la poignée. Desserrer la vis de blocage à l'aide de la clé hexagonale fournie et retirer la poignée.
- Dévisser doucement la bague décorative et l'écrou de serrage.
- Retirer la cartouche du corps du robinet et la remplacer par une nouvelle cartouche en céramique. Veiller à ce que la nouvelle cartouche soit correctement installée et que les broches d'alignement soient à l'endroit approprié.
- Fixer la cartouche en place à l'aide de l'écrou de serrage.
- Serrer doucement l'écrou de serrage à l'aide d'une clé. Ne pas trop serrer.
- Réinstaller la bague décorative. Faire glisser la poignée sur la cartouche et vérifier si elle tourne librement. Fixer la poignée en place à l'aide de la vis de blocage, puis réinstaller le levier de la poignée.
- Rebrancher l'alimentation en eau du robinet.
- Actionner le robinet pour en vérifier le bon fonctionnement et vérifier s'il y a des fuites.

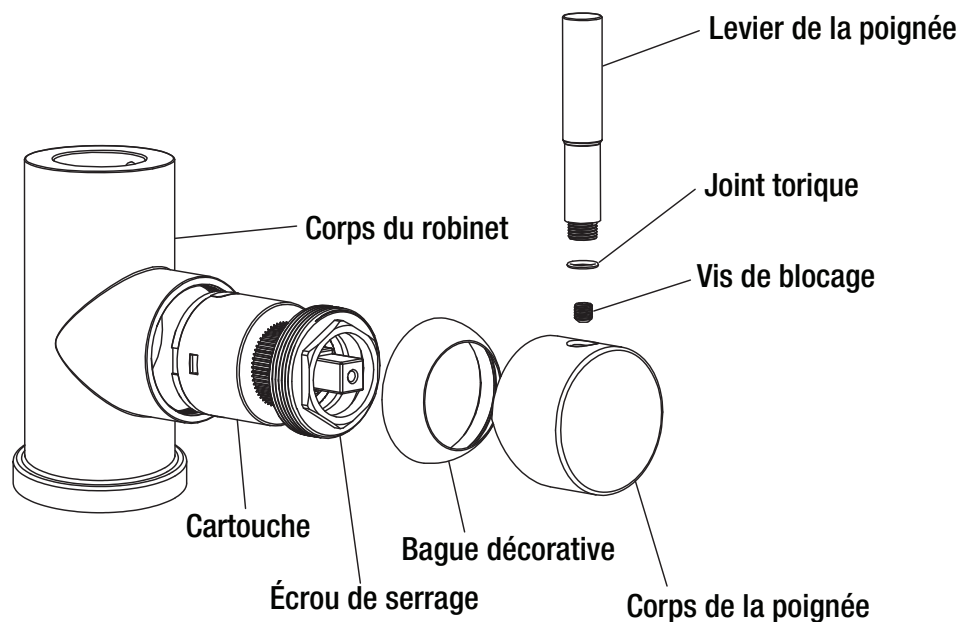


Fig. 14

Soin et nettoyage

Votre évier est fabriqué avec de l'acier inoxydable de la plus haute qualité. Moyennant l'apport des soins appropriés il vous fournira un excellent rendement pendant plusieurs années.

À faire

- Après l'utilisation, toujours rincer votre évier avec de l'eau de robinet pour diluer et enlever les dépôts.
- Si possible, sécher à la serviette après toute utilisation pour éviter les traces d'eau. Si les traces d'eau se produisent, nettoyer avec une solution douce de vinaigre et d'eau suivie d'un bon rinçage.
- Employer du savon liquide, un produit nettoyant de ménage général, ou une faible solution de vinaigre et d'eau pour le nettoyage régulier.
- N'utiliser que des tampons à récurer en plastique recommandés pour une utilisation dans les éviers en acier inoxydable.

À ne pas faire

- Éviter de laisser sécher ou reposer sur la surface de l'évier tout résidu de nourriture, de détergent, de savon, de graisse ou de condiment pendant des périodes prolongées.
- Ne jamais employer des produits abrasifs car ils peuvent ternir et rayer le fini.
- Ne pas utiliser des tampons à récurer dans l'évier car ils peuvent ternir le poli.
- Ne jamais laisser des casseroles en acier ou en fonte dans votre évier pendant des périodes prolongées car elles mènent à la corrosion.
- Ne jamais utiliser de nettoyeurs à base de chlore avec votre nouvel évier, ceci pourrait causer l'apparition de taches de rouille ainsi que sa décoloration. Si vous devez utiliser de tels produits nettoyants, rincer vigoureusement avec de l'eau froide immédiatement après leur utilisation. Si d'autres produits chimiques ou de la colle entrent en contact avec la surface de l'évier, essuyer et rincer vigoureusement avec de l'eau froide.

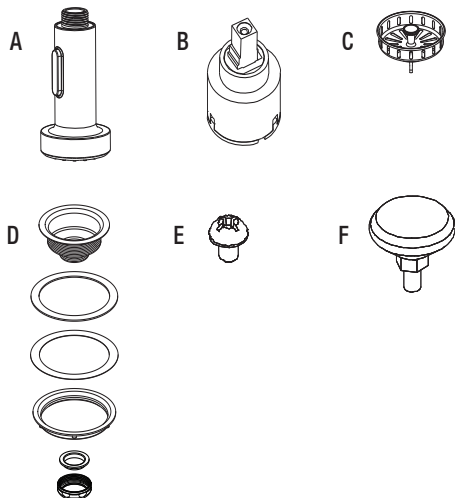
ÉLIMINATION DES RAYURES, TACHES ET IMPERFECTIONS, ET RESTAURATION DES SURFACES :

Les petites taches de rouille qui apparaissent régulièrement dans l'évier sont habituellement causées par l'interaction de l'acier avec les produits chimiques qui se trouvent dans de nombreuses substances auxquelles les éviers sont couramment exposés. Elles peuvent également apparaître lorsque d'autres objets sont placés ou laissés dans l'évier. Les rayures, quant à elles, sont causées par l'usure normale.

Pour enlever les rayures et les taches dans l'évier, les frotter à l'aide d'un tampon à récurer non métallique (p. ex., Scotch-Brite^{MD}) et d'un nettoyant légèrement abrasif (p. ex., Vim^{MD} ou Barkeeper's Friend^{MD}). Toujours frotter les surfaces dans le sens du grain de l'acier. Lorsque vous avez terminé, rincer l'évier avec de l'eau et l'essuyer à l'aide d'une serviette pour permettre qu'une couche externe protectrice se forme. Vous pouvez également utiliser cette procédure pour redonner à toutes les surfaces de l'évier leur éclat.

Pièces de rechange

Si des pièces sont manquantes ou vous avez besoin de pièces de rechange, veuillez nous contacter au cs@conglomkb.com ou 1-877-333-0098 (service disponible en anglais et français, de lundi au vendredi, 8 h 30 à 17 h, H.N.E.). Veuillez identifier les pièces nécessaires et ayez les codes à portée de main.



Pièce	Description	Quantité	QL200KB QL201KB Code	QL200KS QL201KS Code
A	Douchette	1	QHL223	QHL223
B	Cartouche	1	QHL216	QHL216
C	Crépinet	1	QHL177	QHL177
D	Corps de la crépine	1	QHL176	QHL176
E	Vis, M5x6	24	QHL316	QHL315
F	Pattes de l'armoire	4	QHL317	QHL318

Índice

USER'S MANUAL	2	Instalación del grifo	38
MANUEL DE L'UTILISATEUR	16	Instalar el colador	39
Información de seguridad	30	Instalar el fregadero	40
Garantía		Colocación	40
Un año de garantía limitada	31	Líneas de abastecimiento	40
Procedimiento de reclamación de garantía	31	Mantenimiento	
Preinstalación		Reemplazo del cartucho	41
Herramientas/materiales requeridos	32	Cuidado y limpieza	
Contenido del paquete	33	Fregadero	42
Instalación		Piezas de repuesto	43
Preparación	34		
Ensamblaje del soporte	35		

Información de seguridad

LEA Y GUARDE ESTAS INSTRUCCIONES



PRECAUCIÓN: Use guantes y gafas de seguridad en todo momento para evitar lesiones personales.

1. Examine la unidad antes de proceder. Verifique si la superficie presenta defectos o daños, abolladuras, curvaturas, golpes o marcas por rozaduras. Si observa algún daño, no le instale.
2. Utilice esta unidad exclusivamente de la manera concebida por el fabricante; si tiene preguntas, comuníquese con el fabricante.
3. El trabajo de instalación y de plomería deben ser hechos por personas calificadas de acuerdo con todos los códigos y normas aplicables, e incluye una construcción calificada a prueba de incendio.
4. Proteja la superficie total del producto durante la instalación para evitar daños.

UN AÑO DE GARANTÍA LIMITADA

Debe realizarse una inspección a conciencia antes de la instalación, y cualquier daño debe reportarse inmediatamente. No nos hacemos responsables por fallos o daños que pudieran haberse descubierto o evitado con una inspección y pruebas adecuadas antes de la instalación.

Conglom Inc. garantiza este producto contra defectos en materiales y de fabricación durante 1 (un) año a partir de la fecha de compra. Es necesario que el comprador original entregue a Conglom Inc. el comprobante de compra (recibo original) para todos los reclamos relacionados con la garantía.

Esta garantía no es transferible y será anulada si la unidad se quita del lugar donde se instaló inicialmente o si no se instala de acuerdo con las instrucciones del fabricante. La garantía no se aplica en caso de daños en el producto debidos al uso de piezas distintas a los repuestos originales de Conglom Inc. (las piezas de repuesto se pueden obtener enviando un correo electrónico a cs@conglomkb.com o llamando al **1-877-333-0098** entre las 8:30 a. m. y 5:00 p. m., hora del Este), a los errores de instalación, el maltrato, uso indebido y cuidado y mantenimiento inapropiados (sin importar si lo realiza un plomero, contratista, proveedor de servicios o familiar del comprador). La garantía no incluye los daños debidos a condiciones agresivas del aire o el agua, ni al uso de limpiadores o materiales fuertes o abrasivos.

Bajo ninguna circunstancia seremos responsables de lesiones físicas o daños a la propiedad que sean consecuencia de una instalación o uso inapropiados de este producto. No seremos responsables por inconvenientes ocasionados por pérdida de uso de este producto, costos incurridos en mano de obra o materiales, retiro e instalación de unidades de reemplazo, ni ningún otro daño incidental o consecuente. Los costos relacionados con la obtención de acceso para la reparación o el reemplazo son responsabilidad del usuario.

Nuestra obligación se limita a la reparación o reemplazo de una unidad (a nuestra discreción) cuando pueda comprobarse, únicamente al examinarla nosotros, que tiene defectos en circunstancias de uso y servicio normal durante el periodo de garantía.

Cualquier fallo de este producto que no sea identificable como un defecto en materiales o de fabricación no estará cubierto por esta garantía. Los aspectos que no se pueden garantizar incluyen, entre otros:

- Instalación indebida sin seguir las instrucciones del fabricante.
- Abolladuras y/o rayones ocasionados durante el transporte, el manejo o la instalación.
- Cambio en el color o acabado debido al uso de productos químicos.
- Daños ocasionados por no seguir las pautas de cuidado y limpieza, incluyendo daños ocasionados por el uso de limpiadores abrasivos.
- Alteraciones hechas a la unidad por parte del comprador o instalador.
- Daños ocasionados por golpes accidentales, incendios, inundaciones, congelamiento y por el desgaste normal.
- Dobleces y deformaciones causados por conexiones forzadas, accesorios demasiado apretados y soporte inadecuado durante la instalación.

PROCEDIMIENTO DE RECLAMACIÓN DE GARANTÍA

Si ocurre un defecto por el que se pueda presentar una reclamación o si se necesitan repuestos, comuníquese con nuestro equipo de servicio al cliente vía cs@conglomkb.com o llamando al teléfono **1-877-333-0098** (de lunes a viernes, de 8:30 a. m. a 5:00 p. m., hora del Este; servicio disponible en inglés y francés).

Antes de llamar para presentar una reclamación, asegúrese de tener a la mano:

- El número o la descripción del modelo.
- El comprobante de compra.
- Los detalles del defecto y/o el número de pieza.
- Nombre(s) y domicilio(s) del propietario o el instalador.

Preinstalación

HERRAMIENTAS/MATERIALES REQUERIDOS (NO INCLUIDOS)



Llaves



Alicates



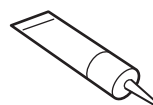
Desarmador en cruz



Cuchillo de uso general



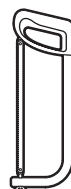
Llave de tubos



Sellador de silicona



Nivel de carpintero



Sierra de mano



Guantes de seguridad



Gafas de seguridad

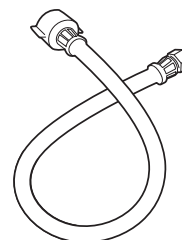
PIEZAS NECESARIAS (NO INCLUIDAS)



Tubo de vaciado



Sifón P

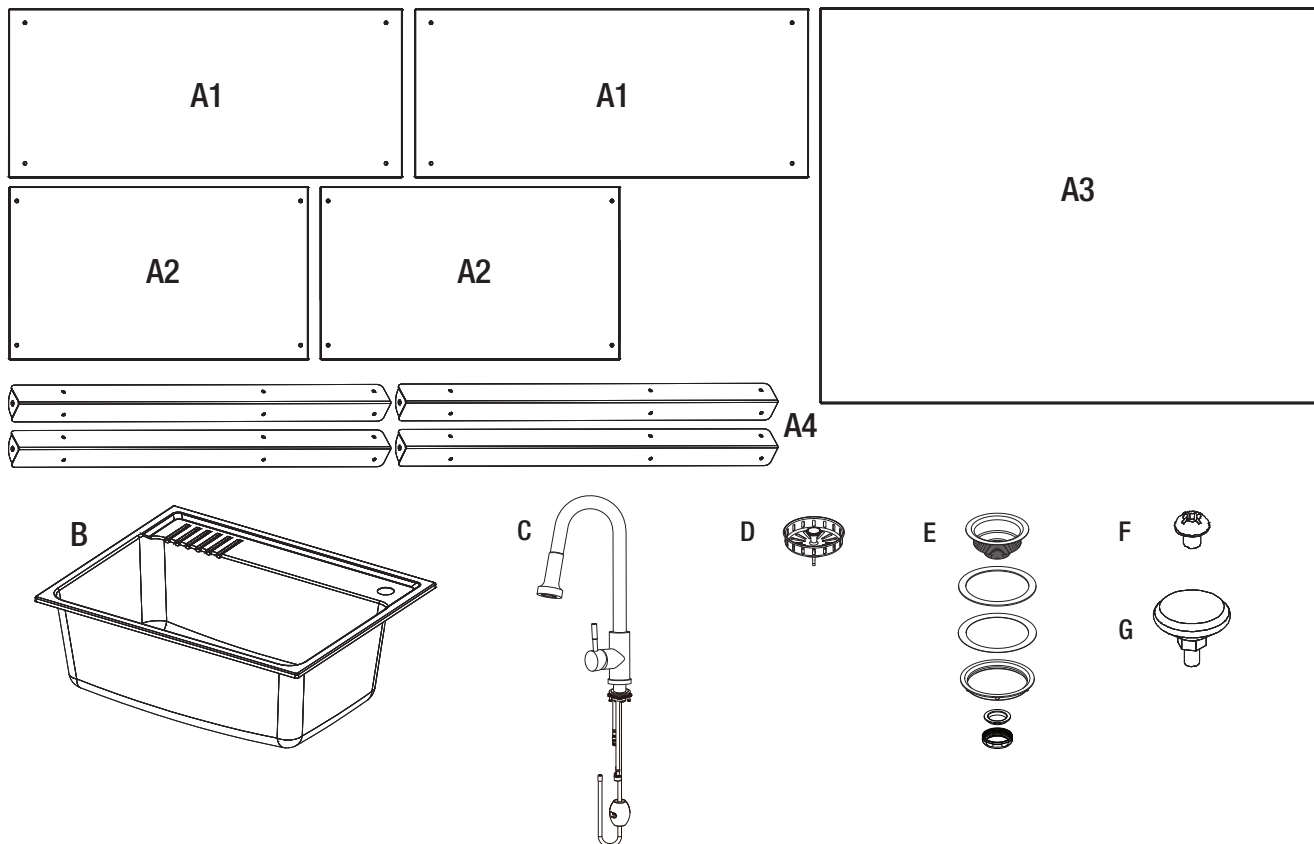


Tubo de alimentación

Preinstalación (continuación)

CONTENIDO DEL PAQUETE

Antes de llevar a cabo la instalación, verifique cuidadosamente que la unidad no presente ningún daño ni que falten piezas. En caso de que la unidad esté dañada o falten piezas, comuníquese con el departamento de servicio al cliente vía cs@conglomkb.com o al **1-877-333-0098** (servicio en inglés y francés, de lunes a viernes, de 8:30 a.m. A 5 p.m., hora del Este). No tire el embalaje hasta que quede satisfecho con el producto.



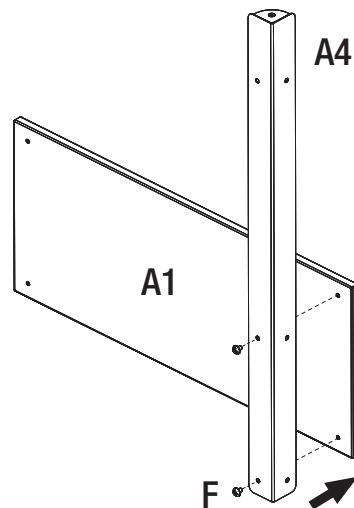
Pieza	Descripción	Cantidad
A1	Panel delantero del faldón	2
A2	Panel lateral del faldón	2
A3	Panel de la repisa	1
A4	Postes de las patas	4
B	Fregadero	1

Pieza	Descripción	Cantidad
C	Grifo	1
D	Colador	1
E	Conjunto de colador	1
F	Tornillos, M5x6	24
G	Patas del armario	4

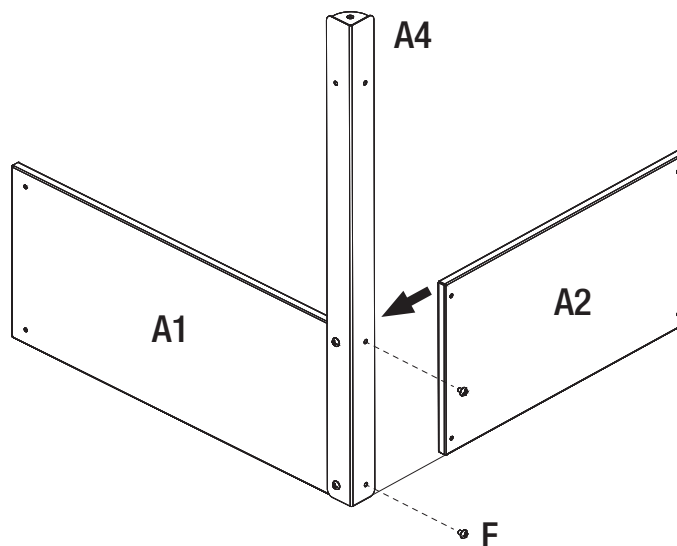
Instalación

- Desempaque todos los componentes y colóquelos sobre una manta o un cartón para que no abollen ni se rayen.

- Fije el poste de la pata (A4) al panel delantero del faldón (A1) con los tornillos proporcionados (F). No los apriete demasiado.

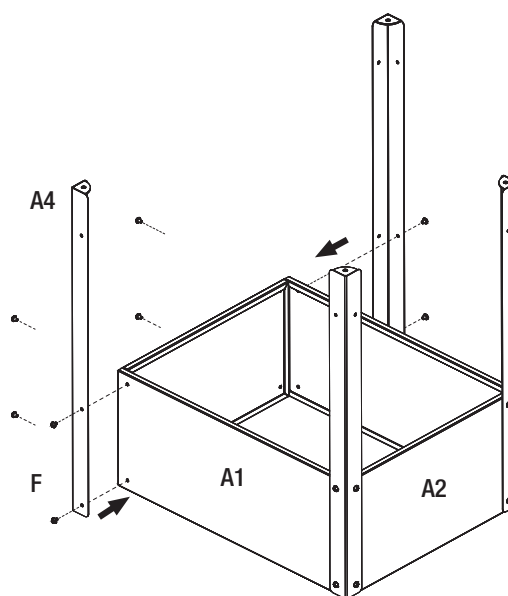
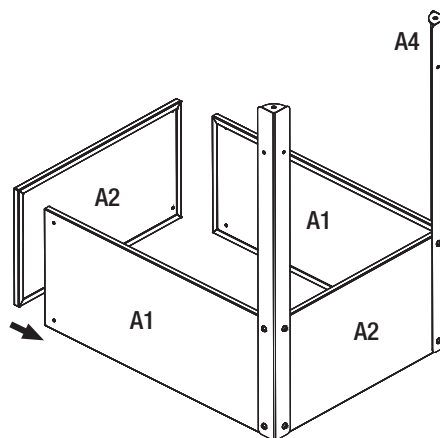
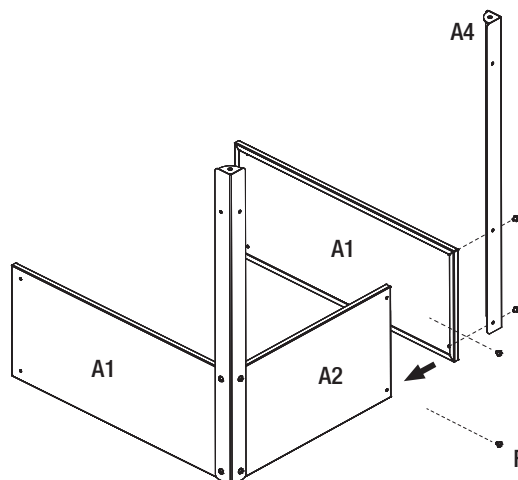


- Fije el panel lateral del faldón (A2) al poste de la pata (A4) con los tornillos proporcionados (F).



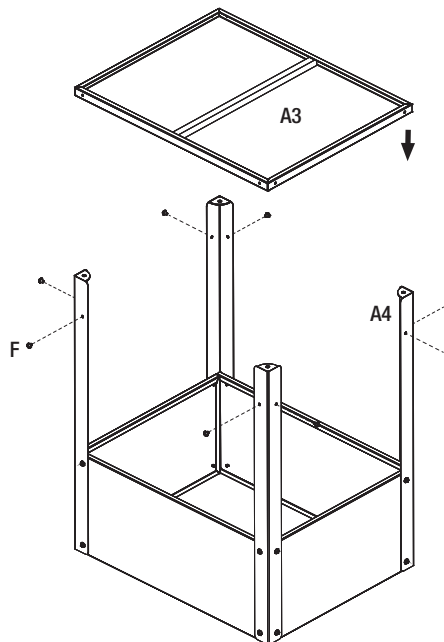
Instalación (continuación)

- Siga ensamblando los postes de las patas a los paneles del faldón con los tornillos proporcionados hasta completar el ensamblaje del faldón como se muestra a continuación.

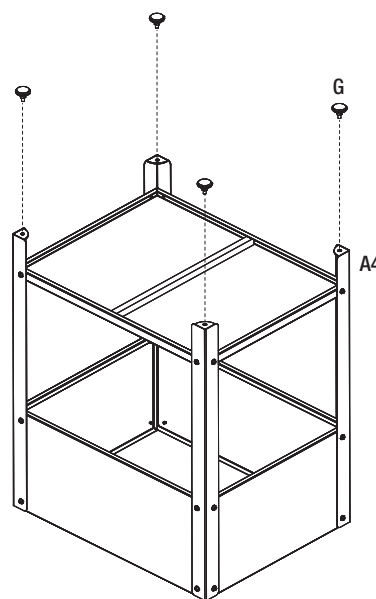


Instalación (continuación)

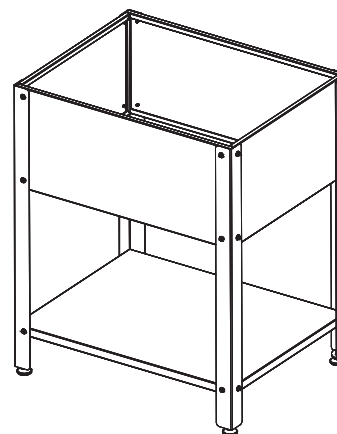
- Fije el panel de la repisa (A3) a los postes de la pata (A4) con los tornillos proporcionados (F).



- Inserte las patas niveladoras (G) en los postes de las patas (A4) hasta que los ejes roscados estén completamente insertados.



- Gire suavemente el soporte del fregadero hacia la derecha y proceda a la instalación del grifo y el colador, antes de fijar el fregadero al soporte.
- Verifique que los tornillos están bien apretados.



INSTALACIÓN DEL GRIFO

- Conecte el cabezal de aspersión conector (1) para cabezal de aspersión (2).
- Quite la junta (3), la arandela metálica (4) y la tuerca de retención (5) del grifo.
- Instale el grifo a través del orificio del lavabo.
- Desde la parte inferior, asegure el grifo al lavabo con la junta (3), la arandela metálica (4) y la tuerca de retención (5).
- Apriete la tuerca de retención (5) con la mano hasta que quede bien ajustada. Apriete con ayuda de una llave. Apriete delicadamente los dos tornillos en la tuerca de retención. No apriete más de lo necesario.
- Apriete con la mano la manguera (6) a la toma del grifo (7). Apriete los accesorios usando dos llaves. Sostenga la toma del grifo (7) firmemente con una llave mientras gira la conexión de la manguera con otra llave hasta que quede ajustada.

NOTA: Si no utiliza dos llaves, puede dañar el grifo. No apriete demasiado.

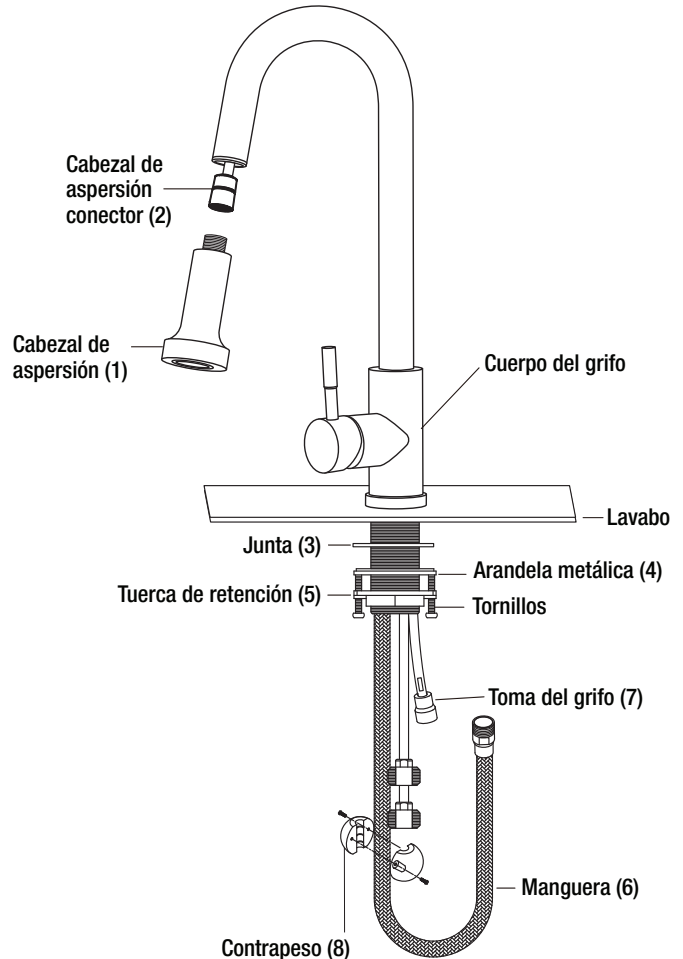


Fig. 9

- Empuje el cabezal de aspersión (1) en el cuello de la manguera. Instale el contrapeso (8) a un par de pulgadas de la parte inferior de la manguera en el lado más cercano al cabezal de aspersión (1). No debería quedar ningún espacio de holgura en la manguera y debería poder retraerse libremente.
- Conecte las líneas de abastecimiento de agua (no incluidas) al grifo..
- Este grifo está equipado con conectores de rosca macho NPS estándar de 1/2" compatibles con líneas de suministro de agua FIP estándar de 1/2".

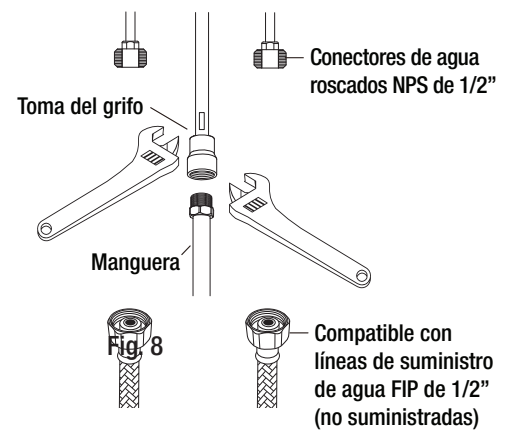
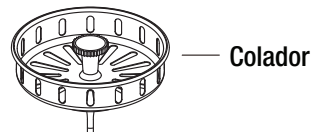


Fig. 10

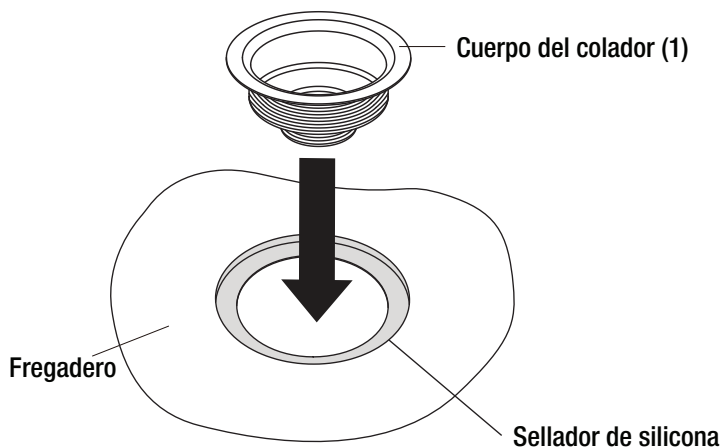
Instalación (continuación)

INSTALAR EL COLADOR

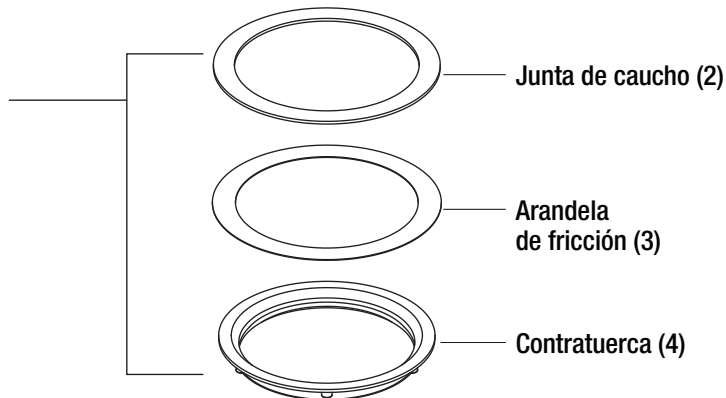
- Aplique masilla de plomería o sellador de silicona a la parte superior de la abertura de drenaje.



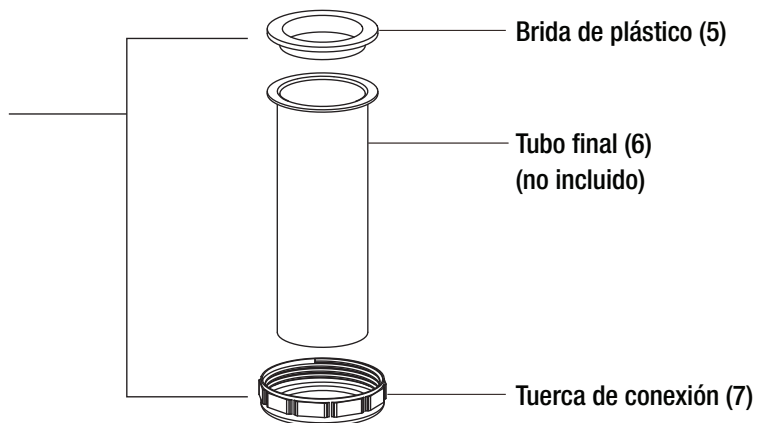
- Inserte el cuerpo del colador (1) en la abertura de drenaje y presiónelo hacia abajo hasta que esté colocado uniformemente.



- Ensamble la junta de caucho (2), la arandela de fricción (3) y la contratuerca (4) en el cuerpo del colador (1) por debajo del fregadero. Ajuste la contratuerca (4) del colador manualmente. No la apriete demasiado.



- Inserte la brida de plástico (5) en el extremo de la brida del tubo de escape (6) (no incluido) y luego asegure el tubo de escape al cuerpo del colador con la tuerca de conexión (7). Ajuste la tuerca de conexión (7) manualmente. No la apriete demasiado.



- Retire el exceso de sellador de la abertura de drenaje

Fig. 11

Instalación (continuación)

INSTALAR EL FREGADERO

- Con cuidado, agregue un poco de sellador alrededor de la parte superior del soporte del fregadero (A).
- Coloque cuidadosamente el lavabo (B) en el soporte (A). Asegúrese de que no esté inclinado y de que se encuentre en el centro del armario (A). Elimine el exceso de sellador. Use cinta adhesiva para mantener el lavabo (B) en su lugar hasta que se seque el sellador.

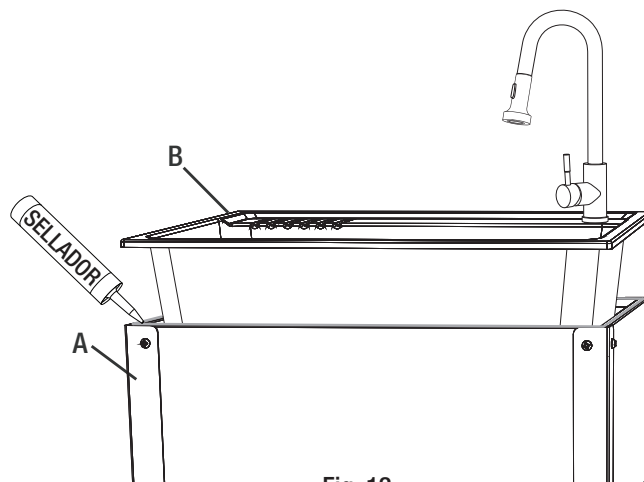


Fig. 12

COLOCACIÓN

- Coloque el soporte en la ubicación deseada. Si hace falta, ajuste la cuatro patas niveladoras y compruebe la alineación de la parte superior utilizando un nivel de burbuja.

NOTA: Asegure el armario a la pared con ayuda de los accesorios más adecuados para su tipo de pared. No hacerlo podría provocar daños a la propiedad o lesiones físicas.

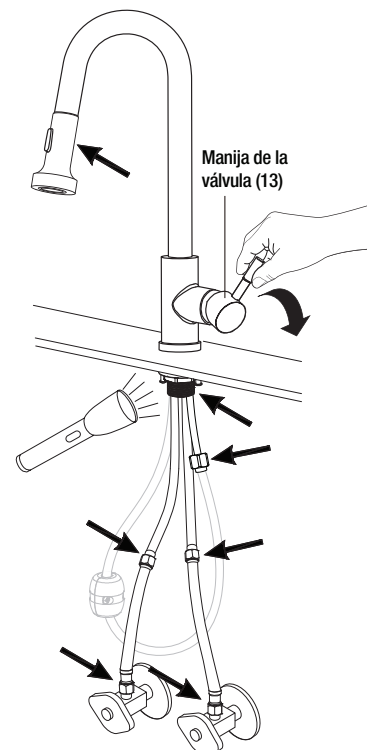
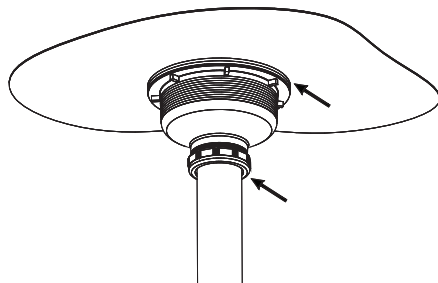
Use sellador de silicona para sellar el fregadero a la pared y cualquier superficie adyacente y así mantener dichas superficies secas. No hacerlo podría provocar daños por humedad.

DRENAJE

- Ahora puede conectar a la tubería doméstica el tubo de escape (no incluido) instalado previamente en el drenaje. En algunos casos, la plomería de su hogar tendrá que ser modificada para que el drenaje sea adecuado. De ser así, contrate a un plomero autorizado para que realice las modificaciones necesarias.

INSPECTION FINALE

- Brancher les tuyaux d'alimentation à l'alimentation en eau du domicile conformément aux instructions du fabricant.
- Ouvrir les vannes d'alimentation en eau chaude et en eau froide de la maison et inspecter soigneusement tous les raccords pour détecter des fuites potentielles.
- Mettre la poignée de la vanne (13) en position ouverte mixte en la tournant vers le milieu et en l'éloignant du robinet.
- Faire couler de l'eau sans interruption pendant environ une minute pour éliminer tout résidu des tuyaux, puis inspecter de nouveau les raccords pour détecter des fuites potentielles. Inspecter également toutes les raccords de drainage et de plomberie pour détecter les fuites.



REEMPLAZO DEL CARTUCHO

- Cierre el suministro de agua del grifo.
- Desatornille la palanca de la manija (1). Afloje el tornillo de fijación (2) con la llave hexagonal que se incluye y retire el cuerpo de la manija (3).
- Desatornille suavemente la tapa decorativa (4) y la tuerca de retención (5).
- Extraiga el cartucho (6) del cuerpo del grifo (7) y reemplácelo con un nuevo cartucho cerámico. Asegúrese de que el nuevo cartucho esté colocado correctamente con las clavijas de ubicación en el lugar adecuado.
- Fije el cartucho en su lugar con la tuerca de retención (5).
- Apriete delicadamente la tuerca de retención utilizando una llave. No apriete demasiado.
- Vuelva a instalar la tapa decorativa (4). Deslice el cuerpo de la manija (3) sobre el cartucho y asegúrese de que gire libremente. Asegure el cuerpo de la manija (3) en su lugar con el tornillo de fijación (2) y vuelva a instalar la palanca de la manija (1).
- Abra nuevamente el suministro de agua del grifo.
- Opere el grifo para asegurarse de que todo funcione correctamente y verifique que no haya fugas.

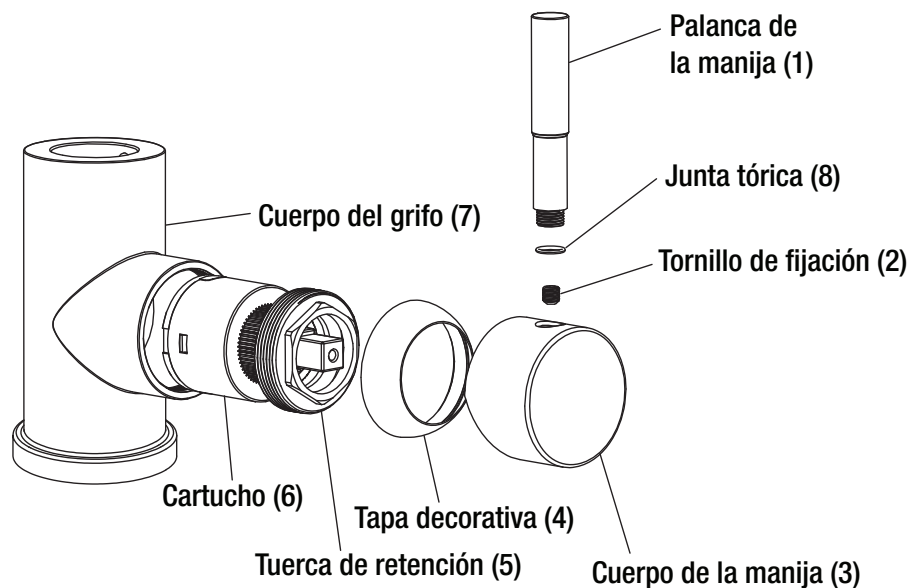


Fig. 14

Cuidado y limpieza

Este fregadero está fabricado con acero inoxidable de la mejor calidad y podrá utilizarlo durante muchos años siempre y cuando lo cuide y le dé el mantenimiento adecuado.

Hacer	No Hacer
<ul style="list-style-type: none">- Después de cada uso lave el fregadero con el agua del grifo para diluir y quitar cualquier depósito.- Cuando pueda, seque el fregadero con una toalla para evitar que se formen marcas de agua. En caso de que se formen, límpielas con una solución de vinagre y agua, y luego enjuague minuciosamente.- Utilice jabón líquido, limpiador doméstico multiusos o una solución de vinagre y agua para la limpieza regular.- Use únicamente esponjas plásticas recomendadas para uso en fregaderos de acero inoxidable.	<ul style="list-style-type: none">- Evite que se seque o deposite cualquier residuo de comida, detergente, jabón, grasa o condimentos por un periodo prolongado en la superficie del fregadero.- Nunca utilice productos abrasivos, ya que opacarán y rayarán el acabado.- Nunca utilice esponjas de lana de acero, ya que dejarán partículas de acero en el fregadero y lo corroerán.- Nunca deje cacerolas de acero o hierro fundido en el fregadero por periodos prolongados, ya que esto puede provocar corrosión.- No utilice limpiadores a base de cloro en su lavabo nuevo, ya que podrían provocar manchas de óxido o decoloración. Si debe utilizarlos, enjuague bien el lavabo con agua inmediatamente después de su uso. Si alguno de los químicos o pegamento entra en contacto con el lavabo durante su instalación, limpie y enjuáguelo bien con agua.- Si algún químico o pegamento entra en contacto con el fregadero durante la instalación, limpie y enjuáguelo bien con agua fresca.

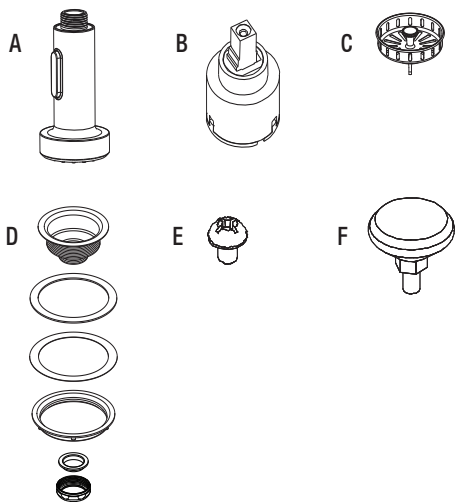
ELIMINAR LOS RAYONES, LAS MANCHAS Y LAS MARCAS, Y RENOVAR LA SUPERFICIE :

Las pequeñas marcas y manchas de óxido que con frecuencia aparecen en el lavabo son resultado, por lo general, de la interacción entre el acero y los productos químicos que se encuentran en la gran variedad de sustancias a las que los lavabos están expuestos comúnmente. También es posible que esas sustancias se transfieran al lavabo desde otros objetos colocados o dejados en él. Los rayones son ocasionados por el uso y el desgaste normales.

Para eliminar los rayones, las manchas y las marcas del lavabo, tállelos con una fibra no metálica (p. ej., Scotch-Brite®) junto con un limpiador ligeramente abrasivo (p. ej., Vim® o Barkeeper's Friend®). Siempre talle las superficies en la dirección de la veta del acero. Al terminar, enjuague el lavabo con agua y séquelo con una toalla, para permitir que se forme en él una capa protectora exterior. El mismo procedimiento puede usarse para renovar todas las superficies del lavabo.

Piezas de repuesto

Si le faltan piezas o requiere refacciones, escríbale a nuestro equipo de servicio al cliente a cs@conglomkb.com o llame al 1-877-333-0098 (de lunes a viernes, de 8:30 a. m. a 5:00 p. m. EST). Identifique la(s) pieza(s) requerida(s) y tenga lista su descripción.



Pieza	Descripción	Cantidad	QL200KB QL201KB Code	QL200KS QL201KS Code
A	Cabezal de aspersión	1	QHL223	QHL223
B	Cartucho	1	QHL216	QHL216
C	Colador	1	QHL177	QHL177
D	Conjunto de colador	1	QHL176	QHL176
E	Tornillos, M5x6	24	QHL316	QHL315
F	Patas del armario	4	QHL317	QHL318

Imported by / Importé par / Importado por :

Conglom

St-Laurent, Québec, H4S 2G3

1-877-333-0098 | cs@conglomkb.com

(service available in English and French, Monday - Friday from 8:30 am - 5 pm EST)

(service disponible en anglais et français, du lundi au vendredi, 8h30 à 17h, H.N.E.)

(servicio disponible en inglés y francés, de lunes a viernes, de 8:30 am a 5:00 pm, hora del Este)

www.conglomkb.com

