

Danby

- Owner's Use and Care Guide
- Guide d'utilisation et soin de Propriétaire
- Manual de Instrucciones Pare el Uso y el Cuidado de su Unidad

ICE MAKER
MACHINE À GLAÇONS
MÁQUINA DE HIELO

Model • Modèle • Modelo
DIM2500SSDB
DIM2500RDB





TO OBTAIN WARRANTY SERVICE YOU MUST PROVIDE A VALID PROOF OF PURCHASE. PLEASE STAPLE YOUR RECEIPT TO THIS PAGE FOR FUTURE REFERENCE.

POUR OBTENIR LE SERVICE SUR GARANTIE VOUS DEVEZ FOURNIR UNE PREUVE D'ACHAT VALIDE. S'IL VOUS PLAÎT AGRAFE VOTRE REÇU A CETTE PAGE POUR LA REFERENCE FUTURE.

PARA OBTENER SERVICIO DE GARANTÍA, DEBE PROVEER UN RECIBO ORIGINAL. POR FAVOR ENGRAPE SU RECIBO A ÉSTA PÁGINA EN CASO QUE NECESITE HACER UN RECLAMO.

 **IMPORTANT**

This machine is intended to produce ice only. It is not intended for the long-term storage of ice. Move any excess ice into a freezer for long-term storage (>6 hours) if you desire to keep it. Ice that is left to sit in the bucket will melt over time.

 **IMPORTANT**

Cette machine a été conçue pour produire de la glace seulement. Elle ne doit pas être utilisée pour stocker de la glace à long terme. Déplacez la glace en surplus dans un congélateur pour un stockage à long terme (>6 heures) si vous désirez la garder. La glace qui reste dans le seau fondra.

 **IMPORTANTE**

Esta máquina está diseñada para producir solamente hielo. No está diseñada para almacenar hielo a largo plazo. Traslade el hielo sobrante a un congelador para almacenarlo a largo plazo (más de 6 horas) si desea conservarlo. El hielo que quede en la cubeta se derretirá con el tiempo.

CONTENTS

ICE MAKER

Owner's Use and Care Guide 1-7

- Safety Instructions
- Installation Instructions
- Operating Instructions
- Care and Maintenance
- Troubleshooting
- Warranty

MACHINE À GLAÇONS

Guide d'utiliser et soin de propriétaire 8-14

- Consignes de Sécurité Important
- Instructions d'installation
- Consignes d'utilisation
- Entretien et maintenance
- Dépannage
- Garantie

MÁQUINA DE HIELO

Guía de uso y de mantenimiento del propietario 15-21

- Instrucciones de Seguridad Importantes
- Instrucciones de instalación
- Operación
- Limpieza y Mantenimiento
- Solución Sugerida
- Garantía

CAUTION

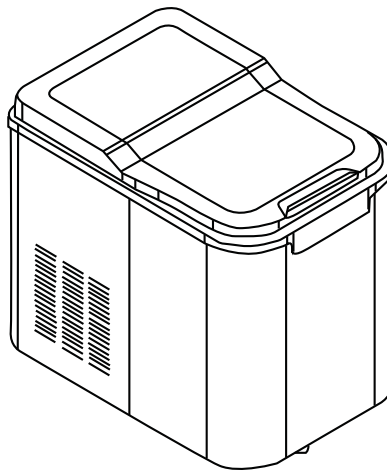
Read and follow all safety rules and operating instructions before first use of this product.

PRÉCAUTION

Veillez lire attentivement les consignes de sécurité et les intructions d'utilisation avant l'utilisation intiale de ce produit.

PRECAUCIÓN

Lea y observe todas las relgas de seguridad y las instrucciones de operación antes de usar este producto por la primera vez.



WELCOME

Welcome to the Danby family. We're proud of our quality products, and we believe in dependable service like you will find in this owner's use and care guide, and like you will receive from our friendly customer service department. Best of all, you will experience these values each and every time you use your Danby appliance. That's important, because your new appliance will be a part of your family for a long time.

Note the information below; you will need this information to obtain service under warranty.

Model No: _____

Serial No: _____

Date Purchased: _____

NEED HELP?

Before you call for service, there are a few things you can do to help us serve you better:

Read this Owner's Use and Care Guide:

It contains instructions to help you use and maintain your appliance properly.

If you received a damaged appliance:

Immediately contact the builder (or retailer) that sold you the appliance.

Save time and money:

Check the Troubleshooting section at the end of the guide before calling. This section helps you solve common problems that may occur.

If you do need service, you can relax knowing help is only a phone call away.



Tel: 1-800-26-**Danby**
(1-800-263-2629)



IMPORTANT SAFETY INFORMATION

READ AND FOLLOW ALL SAFETY INSTRUCTIONS

This appliance must be grounded. In the event of an electrical short circuit, grounding reduces the risk of electrical shock by providing an escape wire for the electrical current.

SAFETY PRECAUTIONS

1. Power source must be suitable for the standards of the ice maker. If the voltage fluctuates by more than +/- 10% of the rated 120 volts, the ice maker may not work correctly.
2. Hazardous materials such as explosive and flammable materials, corrosive acid and alkali materials cannot be used with or placed near the ice maker.
3. If the power cord/plug is damaged stop using the ice maker. The cord and plug must be replaced by a professional.
4. Unplug the plug directly from the socket; Never pull on the cable to unplug.
5. Do not use the ice maker where coal is burning or a flammable gas could be leaking.
6. Before cleaning or performing any kind of maintenance, remember to unplug the unit from the power source.
7. The ice maker is specially designed for making ice cubes only; do not use it to refrigerate food or beverages.
8. Unplug the cable from the power source before moving the ice maker to avoid any damage to the refrigerating system.
9. To avoid personal injury do not take apart ice maker under any circumstances. Service must be performed by a professional.
10. Only use the appliance for its intended purpose. This unit is not intended for use by children. Do not allow children to operate the unit unsupervised.



INSTALLATION INSTRUCTIONS

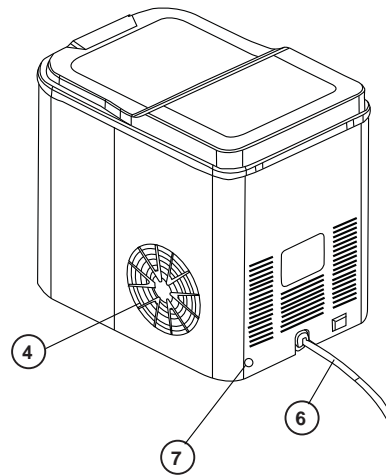
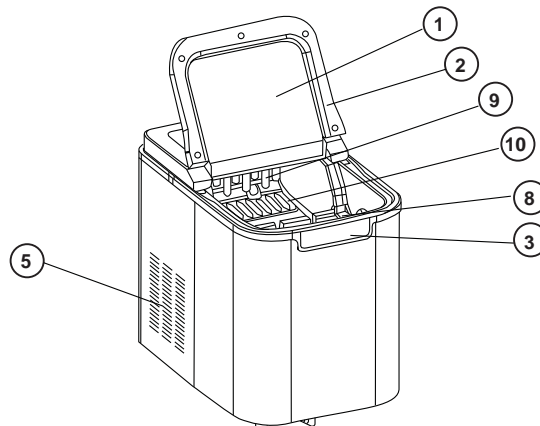
LOCATION

1. Place the ice maker securely upon a sturdy and level surface.
2. Position the unit away from any sources of heat and avoid direct sunlight, so as not to impact the ice-making performance.
3. Ensure that there is a minimum unobstructed space of 20cm (7.87 po) from ice maker's air outlet and inlet.
4. Ambient temperature for ice maker can not be less than 5°C (41°F).
5. This ice maker cannot be used outdoors.

FEATURES

1. Ice making status is watched through the transparent window.
2. Push-button operation. LED indicator light indicates mode.
3. Automatic beeping functions indicate water shortage, ice bucket fullness or cleaning cycle ensuring ice maker is always working properly.

- ① Transparent window
- ② Cover
- ③ Operation panel
- ④ Air outlet
- ⑤ Air inlet
- ⑥ Power cord
- ⑦ Water outlet drain
- ⑧ Ice bucket
- ⑨ Evaporator
- ⑩ Ice making box






OPERATING INSTRUCTIONS


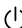


PREPARATION

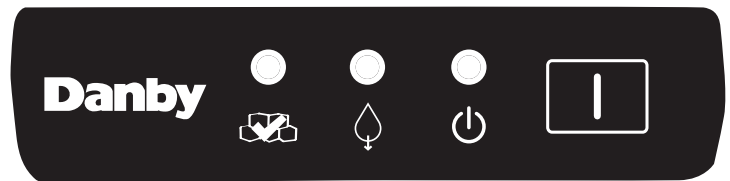
1. Remove and properly discard of all packaging.
2. Make sure you have all the accessories and instructions.
3. Place the ice maker in a suitable position (according to previous instructions)
4. Clean the machine before use (according to directions on page 4 & 5)
5. Turn on the self-clean mode before you use your ice maker for the first time. (see Self-Clean Mode operation on page 5)

USING THE ICE MAKER

1. Do not switch on the power source to the ice maker within 30 minutes after moving the ice maker to allow the oil in the compressor to settle back into the compressor if the unit was tipped.
2. Pour water into the water tank to the "Max Fill Line" (see Fig.A on page 5). You must use potable water (safe to drink water) to make ice.
3. Press  key to start making ice.

CONTROL PANEL

| Buttons and Icons | Functions |
|---|--|
|  Button | Start operation, Standby, Clear faults, Turn off unit. |
|  ON indicator | Power indicator |
|  Bucket Full indicator | Indicates ice cube fullness. |
|  ADD Water indicator | Indicate water shortage, need to fill water. |



CARE AND MAINTENANCE

CLEANING INSIDE

NOTE: Be certain the power is off before cleaning any part of this appliance.

1. Make sure to unplug the appliance before cleaning.
2. Make sure to unplug the appliance before long term storage.
3. Cleaning the water tank:
 - 1). Unscrew the nut and remove rubber plug from the water outlet, drain out all of the water.
 - 2). Use clean warm water and a cloth to clean inside the ice bucket. Flush unit with clean water until the water flowing out is clear. Drain all water and reinstall rubber plug and retighten the nut.
4. Do not use solvents, boiling water, cleaning agents, strong acids or strong Alkali substances for cleaning.
5. If ice maker will not be used for a long time, you should unplug it, drain out all water dry the appliance with a clean cloth and store the ice maker in a clean place.
6. When you're finished making ice, drain the excess water out of the unit. Do not allow the same water to sit in the unit overnight or for extended periods of time.

HELPFUL HINTS

- Allow the ice maker cover to remain open for a few minutes after the ice making process is complete.
- **Walls, Floor of bucket, Inside Window, and Plastic Parts** - Some water deposits and dust can be removed with a paper towel, others may require a damp cloth.
- **Ice Bucket** - The ice bucket can be broken if dropped. Remember, do not operate the ice maker without the ice bucket in place. **Do not** use abrasive cleaners or sharp utensils on any part of your ice maker.



CARE AND MAINTENANCE

CLEANING THE OUTSIDE

OUTER CASE - Clean the outside of the appliance with a soapy cloth. Rinse and then dry. Wipe the window clean with a damp clean cloth.

CONTROL PANEL AND DOOR - Wipe with a damp cloth. Dry thoroughly. Do not use cleaning sprays, large amounts of soap and water and abrasive or sharp objects on the panel. They can damage it. Some paper towels can also scratch the control panel.

COVER SURFACE - It's important to keep the area clean where the door seals against the cabinet. Use only mild, non-abrasive detergents applied with a clean sponge or soft cloth. Rinse well.

SELF-CLEAN MODE OPERATION

The self-clean mode should be completed before you use your ice maker for the first time and/or if there has been a long period without use. The three LED lights for POWER, ICE FULL, ADD WATER will be on at the same time when the ice maker is in self-clean mode.

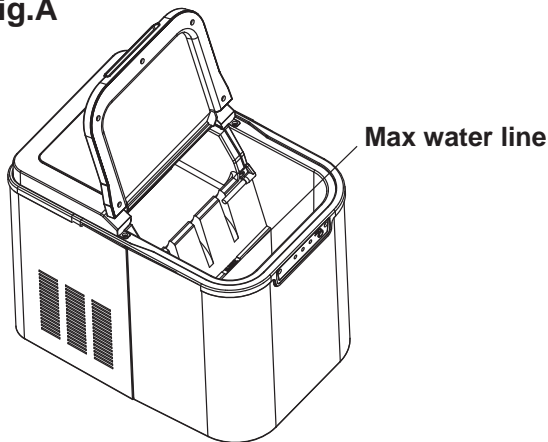
Stage 1

1. Add equal parts of water and vinegar (1:1) to the ice maker's reservoir.
2. In stand-by mode, hold the ON/OFF button for at least 5 seconds to activate the self-clean mode. Please note that self-clean mode will start automatically after a "Beep" sound.
3. During self-clean mode, the upper water bucket is filled and evacuated. The pump will remain in continuous operation as it feeds water to the bucket and evaporator coils. This cycle will run continuously five times.
4. Upon completion, the unit automatically changes back to stand-by mode.

Stage 2

1. Drain the cleaning solution from the internal reservoir by removing the rear drain cap and plug.
2. Add fresh water to the Max fill line. **See Fig.A**

Fig.A



3. In stand-by mode, hold the ON/OFF button for at least 5 seconds to activate the self-clean mode again which will now act as a rinse.


4. Upon completion of this final stage of the self-clean process, the unit automatically changes back to stand-by mode. Proceed to drain the water from the internal reservoir by removing the rear drain cap and plug. Leave the lid on the ice maker open to allow it to air dry. The vinegar smell will dissipate quickly.

Please note that if there is a water shortage during self-cleaning mode, the unit will automatically go into stand-by mode; If the water bucket fails to turn over, ICE FULL, and ADD WATER LED lights will be flashing at the same time. You need to press and hold the ON/OFF button for more than 5 seconds to deactivate the self-cleaning mode in order to change operation settings. Do not allow the evaporator to soak in the cleaning solution for an extended period.



TROUBLESHOOTING

Occasionally, a problem may arise that is minor in nature, and a service call may not be necessary. Use this troubleshooting guide for a possible solution. If the unit continues to operate improperly, call an authorized service depot or Danby's Toll Free Number 1-800-263-2629 for assistance.

| PROBLEM | POSSIBLE CAUSE | SOLUTION |
|---|---|--|
| POWER indicator does not illuminate. | Power source is not on. | 1. Check if the power supply is appropriate. 2. Check if the power cord is connected properly to unit and power supply. 3. Internal components may be damaged. Maintenance by a professional is required. |
| ICE FULL indicator is on. | 1. Ice is full. 2. Temperature is lower than 5°C. | 1. Remove the ice. 2. Move the ice maker to a warmer place where the ambient temperature is higher than 5°C. |
| ADD WATER indicator is on. | Water shortage. | 1. Add drinkable water into ice maker, and press  button. 2. Water supply system may be damaged. Maintenance by a professional is required. |
| ICE FULL indicator and ADD WATER indicator are both on. | Ice making box is in a incorrect position. | 1. Check whether any foreign object is stuck in the ice making box. 2. Internal components may be damaged. Maintenance by a professional is required. |
| Not making ice or not performing well. | 1. Heat output is blocked. 2. Water temperature is too high. 3. Ambient temperature is too high. 4. Refrigerant leaks. | 1. Clean any dust off the air inlet and outlet. 2. Fill with room temperature water. 3. Move the ice maker to a warmer place where the ambient temperature is higher than 5°C. 4. Refrigerating system may be damaged. Maintenance by a professional is required. |
| Abnormal noise | Fan or pump is obstructed. | 1. Set up the appliance in proper location (see page 3) |

Danby[®] LIMITED APPLIANCE WARRANTY

This quality product is warranted to be free from manufacturer's defects in material and workmanship, provided that the unit is used under the normal operating conditions intended by the manufacturer.

This warranty is available only to the person to whom the unit was originally sold by Danby Products Limited (Canada) or Danby Products Inc. (U.S.A.) (hereafter "Danby") or by an authorized distributor of Danby, and is non-transferable.

TERMS OF WARRANTY

Plastic parts, are warranted for thirty (30) days only from purchase date, with no extensions provided.

First Year During the first twelve (12) months, any functional parts of this product found to be defective, will be repaired or replaced, at warrantor's option, at no charge to the ORIGINAL purchaser.

To obtain Service It will be the consumer's responsibility to transport the appliance (at their own expense) to the original retailer (point of purchase) or a service depot for repair. Contact your dealer from whom your unit was purchased, or contact your nearest authorized Danby service depot, where service must be performed by a qualified service technician.
If service is performed on the unit by anyone other than an authorized service depot, or the unit is used for commercial application, all obligations of Danby under this warranty shall be void.

Nothing within this warranty shall imply that Danby will be responsible or liable for any spoilage or damage to food or other contents of this appliance, whether due to any defect of the appliance, or its use, whether proper or improper.

EXCLUSIONS

Save as herein provided, Danby, there are no other warranties, conditions, representations or guarantees, express or implied, made or intended by Danby or its authorized distributors and all other warranties, conditions, representations or guarantees, including any warranties, conditions, representations or guarantees under any Sale of Goods Act or like legislation or statute is hereby expressly excluded. Save as herein provided, Danby shall not be responsible for any damages to persons or property, including the unit itself, howsoever caused or any consequential damages arising from the malfunction of the unit and by the purchase of the unit, the purchaser does hereby agree to indemnify and hold harmless Danby from any claim for damages to persons or property caused by the unit.

GENERAL PROVISIONS

No warranty or insurance herein contained or set out shall apply when damage or repair is caused by any of the following:

- 1) Power failure.
- 2) Damage in transit or when moving the appliance.
- 3) Improper power supply such as low voltage, defective house wiring or inadequate fuses.
- 4) Accident, alteration, abuse or misuse of the appliance such as inadequate air circulation in the room or abnormal operating conditions (extremely high or low room temperature).
- 5) Use for commercial or industrial purposes (ie. If the appliance is not installed in a domestic residence).
- 6) Fire, water damage, theft, war, riot, hostility, acts of God such as hurricanes, floods etc.
- 7) Service calls resulting in customer education.
- 8) Improper Installation (ie. Building-in of a free standing appliance or using an appliance outdoors that is not approved for outdoor application).

Proof of purchase date will be required for warranty claims; so, please retain bill of sale. In the event warranty service is required, present this document to our AUTHORIZED SERVICE DEPOT.

Warranty Service
Carry-In

Danby Products Limited
PO Box 1778, Guelph, Ontario, Canada N1H 6Z9
Telephone: (519) 837-0920 FAX: (519) 837-0449

1-800-263-2629

Danby Products Inc
PO Box 669, Findlay, Ohio, U.S.A. 45840
Telephone: (419) 425-8627 FAX: (419) 425-8629

BIENVENUE

Bienvenue dans la famille Danby. Nous sommes fiers de la qualité de nos produits et nous croyons fermement au service par une assistance fiable. Vous le découvrirez au travers de ce guide, facile d'utilisation et vous en aurez la confirmation par notre service d'assistance à la clientèle.

Mais, ce qui est encore mieux, vous pourrez bénéficier de ces valeurs à chaque utilisation de votre appareil. Ceci est important parce que votre nouvel appareil fera partie de votre famille pour longtemps.

S'il vous plaît écrivez informations ci-dessous:

Numéro de modèle : _____

Numéro de série : _____

Date d'achat : _____

BESOIN D'ASSISTANCE ?

Veillez trouver quelques conseils avant de faire appel à nos services, cela nous aidera à mieux vous servir:

Lisez ce guide:

Il comprend des instructions pour l'utilisation et l'entretien adapté de votre machine à glaçons.

Si votre nouvel appareil est endommagé :

Contactez immédiatement le revendeur (ou le fabricant).

Gagnez du temps et de l'argent :

Avant de faire appel à nos services, consultez à nouveau la section « Dépannage ». Cette section vous aidera à solutionner des problèmes courants. Si une réparation est nécessaire, ne vous inquiétez pas, la solution est au bout de l'appel téléphonique.



Tel: 1-800-26-**Danby**
(1-800-263-2629)



CONSIGNES DE SÉCURITÉ IMPORTANT

PRENDRE CONNAISSANCE DE TOUTES LES INFORMATIONS RELATIVES À LA SÉCURITÉ AVANT D'UTILISER LE PRODUIT

Cet appareil doit avoir un branchement avec mise à la terre. En cas de court circuit, la mise à la terre réduit les risques de décharge électrique tout en permettant la circulation de courant électrique. L'appareil est muni d'un câble électrique avec un fil de terre et une fiche de terre.

CONSIGNES DE SÉCURITÉ

1. L'alimentation doit être adaptée aux normes de la machine à glaçons. Si la tension varie de plus de +/- 10 % par rapport à la tension nominale de 120 volts, la machine à glaçons peut ne pas fonctionner correctement.
2. Ne pas placer près de la machine à glaçons et ne pas utiliser des matières dangereuses comme les matières explosives et inflammables, de l'acide corrosif et des matières alcalines.
3. Si le câble d'alimentation ou la prise sont endommagés, ne plus se servir de la machine à glaçons. Le câble et la prise doivent être remplacés par un professionnel.
4. Débranchez la prise sans jamais tirer sur le câble.
5. Ne pas utiliser la machine à glaçons dans des lieux où brûle du charbon ou duquel un gaz inflammable pourrait s'échapper.
6. Avant de nettoyer ou d'effectuer tout type d'entretien, ne pas oublier de débrancher l'appareil.
7. La machine à glaçons est spécifiquement conçue pour faire des glaçons, ne pas l'utiliser pour réfrigérer des aliments ou des boissons.
8. Débranchez le câble de l'alimentation avant de déplacer la machine pour éviter d'endommager le système de réfrigération.
9. Pour éviter les blessures, ne pas démonter la machine quelle que soit la circonstance. L'entretien doit être effectuée par un professionnel.
10. Utilisez l'appareil uniquement pour son usage destiné. Cet appareil n'est pas destiné à être utilisé par des enfants. Ne pas laisser les enfants utiliser la machine sans surveillance.



INSTRUCTIONS D'INSTALLATION

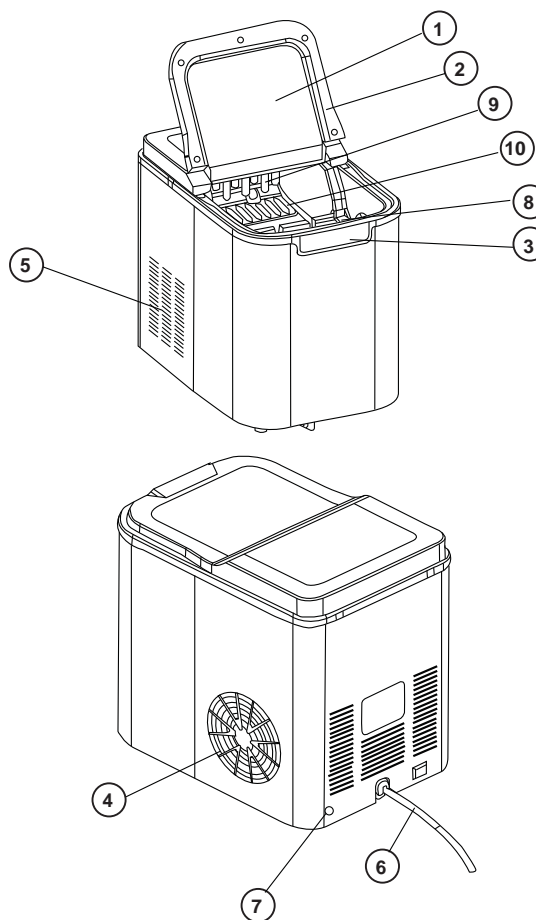
EMPLACEMENT

1. Placez la machine à glaçons sur une surface solide et plane.
2. Éloignez l'appareil de toute source de chaleur et évitez son exposition au soleil pour ne pas modifier le rendement de fabrication de glace.
3. Assurez-vous qu'il y a un espace libre d'au moins 20 cm (7.87 po) de circulation d'air autour de la machine.
4. La température ambiante pour la fabrication de glace ne doit pas être inférieure à 5 °C (41°F).
5. Cette machine à glaçons ne peut pas être utilisée à l'extérieur.

CARACTÉRISTIQUES

1. Le contrôle de la fabrication de glace se fait par l'intermédiaire d'une vitre transparente.
2. Fonction du bouton-poussoir. Le voyant DEL indique le mode de fonctionnement.
3. Des signaux sonores intermittents en mode automatique indiquent un manque d'eau, le trop plein du compartiment à glace ou le cycle de nettoyage indiquant que la machine fonctionne toujours correctement.

- ① Vitre transparente
- ② Capot
- ③ Panneau de commande
- ④ Sortie d'air
- ⑤ Entrée d'air
- ⑥ Cordon d'alimentation
- ⑦ Sortie de vidange de l'eau
- ⑧ Compartiment à glace
- ⑨ Évaporateur
- ⑩ Cube de fabrication des glaçons






CONSIGNES D'UTILISATION





PRÉPARATION AVANT UTILISATION

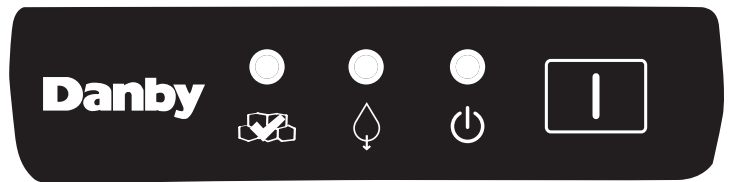
1. Enlever tous les emballages et les mettre au rebuts dans le respect de l'environnement.
2. Assurez-vous que vous disposez de tous les accessoires et les instructions.
3. Placez la machine à glaçons dans une position appropriée (selon les instructions précédentes)
4. Nettoyer la machine avant de l'utiliser (selon les instructions sur la page 11 et 12)
5. Activer le mode auto-nettoyage avant d'utiliser votre machine à glaçons pour la première fois. (Voir Mode auto-nettoyage à la page 12)

UTILISATION DE LA MACHINE À GLAÇONS

1. Ne pas brancher la machine dans les 30 minutes suivant son transport pour laisser le temps à l'huile du compresseur de reposer après avoir été remuée.
2. Versez l'eau dans le réservoir jusqu'au « Niveau maximum » (voir Fig.A à la page 12). Vous devez utiliser de l'eau potable (propre à la consommation) pour faire de la glace.
3. Appuyez sur la touche  pour commencer la production de glaçons.

PANNEAU DE COMMANDES

| Boutons et icônes | FONCTIONS |
|---|--|
|  Bouton | Démarrer, Veille, Effacer les défaillances/Éteindre l'appareil. |
|  Indicateur de mise en marche | Indicateur d'alimentation |
|  TÉMOIN DE RÉSERVOIR PLEIN : | Indique le plein de glaçons. |
|  Témoin pour rajouter de l'eau | Indique le niveau d'eau insuffisant et la nécessité d'en rajouter. |



ENTRETIEN ET MAINTENANCE

NETTOYAGE INTÉRIEUR

REMARQUE : S'assurer que la machine est hors tension avant de procéder au nettoyage de toute partie de cet appareil.

1. S'assurer de la mise hors tension de l'appareil.
2. S'assurer de la mise hors tension de l'appareil avant de la stocker.
3. Nettoyage du réservoir d'eau :
 - 1) Dévisser l'écrou et enlever le bouchon de caoutchouc de la sortie d'eau, vider l'eau.
 - 2) Utilisez de l'eau tiède et propre et un chiffon pour nettoyer l'intérieur du réservoir à glace. Rincer à l'eau propre l'unité jusqu'à ce que l'eau qui s'écoule soit claire. Videz toute l'eau, remettre les bouchons en caoutchouc et resserrer l'écrou.
4. Ne pas utiliser de solvants, de l'eau bouillante, des produits de nettoyage, des acides forts ou des substances fortement alcalines pour le nettoyage.
5. Si la machine à glaçons n'est pas utilisée sur une longue période, débrancher-la, vider l'eau, sécher l'appareil avec un chiffon propre et la ranger dans un endroit propre.
6. À la fin d'une utilisation, évacuer l'excès d'eau. Ne pas laisser l'eau stagner dans l'unité pendant la nuit ou pendant des périodes de temps prolongées.

CONSEILS UTILES

- Laisser le capot de la machine à glaçons ouvert pendant quelques minutes après que le cycle de fabrication de glace soit terminé.
- **Parois, fond du réservoir à glace, vitre intérieure et pièces en plastique** - Des dépôts d'eau et de poussières peuvent être éliminés avec un essuie-tout ou avec un chiffon humide.
- **Seau à glace** - Le seau à glace peut se casser en cas de chute. Se rappeler de ne pas faire fonctionner la machine à glaçons sans le seau à glace en place. **Ne pas** utiliser de nettoyeurs abrasifs ou d'ustensiles tranchants sur toute partie de la machine à glaçons.



ENTRETIEN ET MAINTENANCE

NETTOYAGE EXTÉRIEUR

CAISSE EXTÉRIEURE- Nettoyer l'extérieur de la machine avec un chiffon imbibé de savon. Rincer et sécher. Essuyer la vitre avec un chiffon propre et humide.

PANNEAU DE CONTRÔLE ET PORTE - Essuyer avec un chiffon humide. Séchez soigneusement. Ne pas utiliser de nettoyeur en pulvérisateur, de grandes quantités d'eau, d'objets abrasifs ou tranchants sur le panneau. Ceci peut l'abîmer. Certains essuie-tout peuvent aussi rayer le panneau de commande.

SURFACE DU CAPOT - Il est important que l'espace entre le capot et le récipient reste propre. Utiliser uniquement des détergents doux, non abrasifs avec une éponge propre ou un chiffon doux. Bien rincer.

FONCTIONNEMENT EN MODE AUTO-NETTOYANT

Le cycle auto-nettoyant doit être terminé avant la première utilisation de la machine à glaçons ou après une longue période sans avoir été utilisée. Les trois DEL correspondant à l'alimentation, le trop plein de glace et la demande de remplissage d'eau, seront allumées en mode auto-nettoyant.

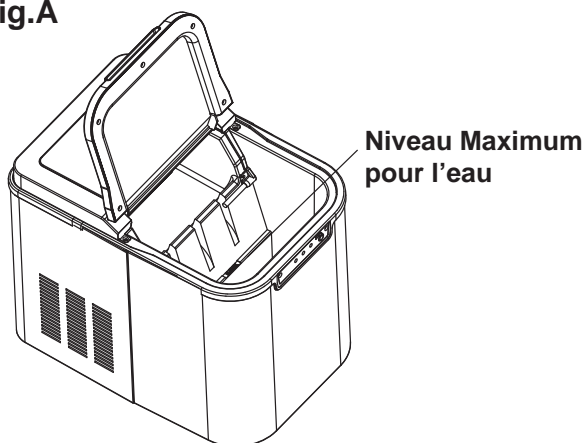
Étape 1

1. Ajouter dans le réservoir de la machine à glaçons un mélange moitié eau et moitié vinaigre.
2. En mode de veille appuyez sur le bouton MARCHE/ARRÊT pendant au moins 5 secondes pour activer le mode auto-nettoyage. Veuillez noter que le mode auto-nettoyage démarre automatiquement après un signal sonore.
3. En mode auto-nettoyage, le réservoir d'eau supérieur est rempli et évacué. La pompe restera continuellement en fonction, en alimentant en eau le réservoir et les serpentins de l'évaporateur. Ce cycle se renouvellera à 5 reprises.
4. Une fois terminé, l'appareil revient automatiquement au mode de veille.

Étape 2

1. Évacuer la solution de nettoyage en retirant le bouchon de vidange arrière.
2. Remplir d'eau fraîche jusqu'au « Niveau Maximum ». (Voir la fig. A)

Fig.A




3. En mode de veille appuyez sur le bouton MARCHE/ARRÊT pendant au moins 5 secondes pour activer le mode auto-nettoyage à nouveau qui sera en fait un rinçage.
4. À l'issue de cette dernière étape du processus d'auto-nettoyage, l'appareil passe automatiquement en mode de veille. Évacuer l'eau du réservoir en retirant le bouchon de vidange arrière. Laisser ouvert le capot de la machine à glaçons pour son aération. L'odeur de vinaigre se dissipe rapidement.

Veuillez noter qu'en cas de pénurie d'eau en mode auto-nettoyage, l'appareil se met automatiquement en mode de veille, si le réservoir d'eau ne se retourne pas, les voyants RÉSERVOIR PLEIN et AJOUTER DE L'EAU clignotent en même temps. Vous devez appuyer sur le bouton Marche/Arrêt pendant 5 secondes pour désactiver le mode auto-nettoyage pour modifier les paramètres de réglage. Ne pas laisser l'évaporateur tremper dans une solution de nettoyage pendant une période prolongée.

DÉPANNAGE

Parfois, il peut arriver qu'un problème mineur survienne et qu'il ne soit pas nécessaire de faire appel à un réparateur. Se servir de ce guide de dépannage pour déterminer la cause possible du problème. Si l'appareil continue à fonctionner de manière anormale, appelez un centre de service autorisé ou Danby au numéro sans frais 1-800-263-2629 pour obtenir de l'aide.

| PROBLÈME | CAUSE POSSIBLE | SOLUTION |
|---|--|--|
| Le voyant ALIMENTATION ne s'allume pas. | La source d'alimentation n'est pas en fonction. | 1. Vérifier si le bloc d'alimentation est approprié. 2. Vérifier que le câble d'alimentation est correctement branché à l'unité et au bloc d'alimentation. 3. Les composants internes peuvent être endommagés. Une visite de maintenance par un professionnel est nécessaire. |
| L'indicateur « TROP PLEIN DE GLACE » est allumé. | 1. Le réservoir de glace est plein. 2. La température est inférieure à 5 °C. | 1. Retirez la glace  . 2. Mettre la machine à glaçons dans un endroit plus chaud où la température ambiante est supérieure à 5 °C. |
| L'indicateur « AJOUTER DE L'EAU » est allumé. | Pénurie d'eau. | 1. Ajouter de l'eau potable dans la machine à glaçons, et appuyez sur le bouton. 2. Le système d'approvisionnement en eau peut être endommagé. Une visite de maintenance par un professionnel est nécessaire. |
| Les indicateurs « TROP PLEIN DE GLACE » et « AJOUTER DE L'EAU » sont allumés. | Le réservoir de fabrication de glace est dans une position incorrecte. | 1. Vérifier si un corps étranger est coincé dans le châssis. 2. Les composants internes peuvent être endommagés. Une visite de maintenance par un professionnel est nécessaire. |
| Ne produit pas de la glace ou ne fonctionne pas bien. | 1. La sortie de chaleur est bloquée. 2. La température de l'eau est trop élevée. 3. La température ambiante est trop élevée. 4. Fuite de réfrigérant. | 1. Nettoyer l'entrée et la sortie d'air de toute poussière accumulée. 2. Remplir d'eau à température ambiante. 3. Mettre la machine à glaçons dans un endroit plus chaud où la température ambiante est supérieure à 5 °C. 4. Le système de réfrigération peut être endommagé. Une visite de maintenance par un professionnel est nécessaire. |
| Bruit anormal | Ventilateur ou pompe obstruée. | 1. Remettre l'appareil dans un endroit plus adapté. (Voir page 10) |

Danby®

GARANTIE LIMITÉE SUR APPAREIL ÉLECTROMÉNAGER

Cet appareil de qualité est garanti exempt de tout vice de matière première et de fabrication, s'il est utilisé dans les conditions normales recommandées par le fabricant.

Cette garantie n'est offerte qu'à l'acheteur initial de l'appareil vendu par Danby Products Limited (Canada) ou Danby Products Inc. (E.- U. d'A) (ci-après "Danby") ou par l'un des ses distributeurs agréés et elle ne peut être transférée.

CONDITIONS

Les pièces en plastique sont garanties pour trente (30) jours seulement à partir de la date de l'achat, sans aucune prolongation prévue.

Première 12 mois Pendant les douze (12) mois, toutes pièces fonctionnelles de ce produit s'avèrent défectueuses, seront réparées ou remplacées, selon le choix du garant, sans frais à l'acheteur INITIAL.

Pour bénéficiaire du Service Le client sera responsable pour le transport et tous les frais d'expédition de tout appareil exigeant le service au dépôt de service autorisé le plus proche. S'adresser au détaillant qui a vendu l'appareil, ou à la station technique agréée de service la plus proche, où les réparations doivent être effectuées par un technicien qualifié. Si les réparations sont effectuées par quiconque autre que la station de service agréée ou à des fins commerciales, toutes les obligations de Danby en vertu de cette garantie seront annulées.

Cette garantie indique en aucun temps la responsabilité de Danby de l'avarie ou dommage de la vin ou autre contenu, soit par les vices de l'appareil, ou soit par l'utilisation convenable ou inexacte.

EXCLUSIONS

En vertu de la présente, il n'existe aucune autre garantie, condition ou représentation, qu'elle soit exprimée ou tacite, de façon manifeste ou intentionnelle, par Danby ou ses distributeurs agréés. De même, sont exclues toutes les autres garanties, conditions ou représentations, y compris les garanties, conditions ou représentations en vertu de toute loi régissant la vente de produits ou de toute autre législation ou règlement semblables.

En vertu de la présente, Danby ne peut être tenue responsable en cas de blessures corporelles ou des dégâts matériels, y compris à l'appareil, quelle qu'en soit les causes. Danby ne peut pas être tenue responsable des dommages indirects dus au fonctionnement défectueux de l'appareil. En achetant l'appareil, l'acheteur accepte de mettre à couvert et de dégager Danby de toute responsabilité en cas de réclamation pour toute blessure corporelle ou tout dégât matériel causé par cet appareil.

CONDITIONS GÉNÉRALES

La garantie ou assurance ci-dessus ne s'applique pas si les dégâts ou réparations sont dus aux cas suivants:

- 1) Panne de courant.
- 2) Dommages subis pendant le transport ou le déplacement de l'appareil.
- 3) Alimentation électrique incorrecte (tension faible, câblage défectueux, fusibles incorrects).
- 4) Accident, modification, emploi abusif ou incorrect de l'appareil tel qu'une circulation d'air inadéquate dans la pièce ou des conditions de fonctionnement anormales (température extrêmement élevée ou basse).
- 5) Utilisation dans un but commercial ou industriel (à savoir, si l'appareil n'est pas installé dans un domicile résidentiel).
- 6) Incendie, dommages causés par l'eau, vol, guerre, émeute, hostilités, cas de force majeure (ouragan, inondation, etc.).
- 7) Visites d'un technicien pour expliquer le fonctionnement de l'appareil au propriétaire.
- 8) Installation inappropriée (par exemple, encastrement d'un appareil autoportant, ou utilisation extérieure d'un appareil non conçu à cet effet).

Une preuve d'achat doit être présentée pour toute demande de réparation sous garantie. Prière de garder le reçu. Pour faire honorer la garantie, présenter ce document à la station technique agréée ou s'adresser à:

Service sous-garantie
En Atelier

Danby Products Limited
PO Box 1778, Guelph, Ontario, Canada N1H 6Z9
Telephone: (519) 837-0920 FAX: (519) 837-0449

1-800-263-2629

Danby Products Inc.
PO Box 669, Findlay, Ohio, U.S.A. 45840
Telephone: (419) 425-8627 FAX: (419) 425-8629

BIENVENIDA

Bienvenido a la familia Danby. Estamos orgullosos de nuestros productos de alta calidad y creemos en el servicio confiable. Usted lo podrá apreciar en este manual fácil de usar, y lo escuchará en las voces amistosas de nuestro departamento de servicio al consumidor.

Sobre todo, usted apreciará estas ventajas cada vez que use su unidad. Eso es importante, ya que su nuevo artefacto formará parte de su familia por mucho tiempo.

Por favor escriba la siguiente información:

Número de Modelo: _____

Número de Serie: _____

Fecha de la compra: _____

Necesita Ayuda

Antes de solicitar servicio, hay algunas cosas que puede hacer para ayudarnos a servirle mejor...

Lea este manual:

Contiene instrucciones que lo ayudarán a mantener correctamente su unidad.

Si usted recibe un artefacto dañado:

Llame inmediatamente al distribuidor (o constructor) que se lo vendió.

Ahorre tiempo y dinero:

Lea la sección de Diagnóstico de Problemas antes de llamar. Esta sección le ayudará a resolver problemas comunes que pudieran ocurrir. Si necesita asistencia, no se preocupe y llámenos.



Tel: 1-800-26-**Danby**
(1-800-263-2629)



INSTRUCCIONES DE SEGURIDAD IMPORTANTES

LEA TODA LA INFORMACIÓN SOBRE SEGURIDAD ANTES DE UTILIZAR EL EQUIPO

Este aparato electrodoméstico, debe estar conectado a tierra. En caso de un cortocircuito eléctrico, la conexión a tierra reduce el riesgo de choque eléctrico proporcionando un cable de escape para la corriente eléctrica.

PRECAUCIONES DE SEGURIDAD

1. La fuente de electricidad debe ser adecuada para los estándares de la máquina de hielo. Si el voltaje fluctúa en más de +/- 10% de los 120 voltios nominales, la máquina de hielo puede no funcionar correctamente.
2. Los materiales peligrosos como los materiales explosivos e inflamables, ácidos corrosivos y alcalinos no se pueden usar o colocar cerca de la máquina de hielo..
3. Si el cable/enchufe se encuentra dañado, deje de usar la máquina de hielo. El cable y el enchufe deben ser reemplazados por un profesional.
4. Desconecte el enchufe directamente de la toma de corriente. Nunca jale el cable para desconectar.
5. No use la máquina de hielo en un lugar donde se esté quemando carbón o se pueda estar fugando gas inflamable.
6. Antes de limpiar o realizar cualquier mantenimiento, recuerde desconectar la unidad de la fuente de alimentación.
7. La máquina de hielo está diseñada especialmente para fabricar sólo cubos de hielo; no la use para refrigerar comida o bebidas.
8. Desconecte el cable de la fuente de alimentación antes de mover la máquina de hielo a fin de evitar cualquier daño en el sistema de refrigeración.
9. Para evitar lesiones personales, no desarme el equipo bajo ninguna circunstancia. El servicio debe ser realizado por un profesional.
10. Use el aparato sólo para su propósito previsto. Esta unidad no está diseñada para ser usada por niños. No permita que niños operen la unidad sin supervisión.



INSTRUCCIONES DE INSTALACIÓN

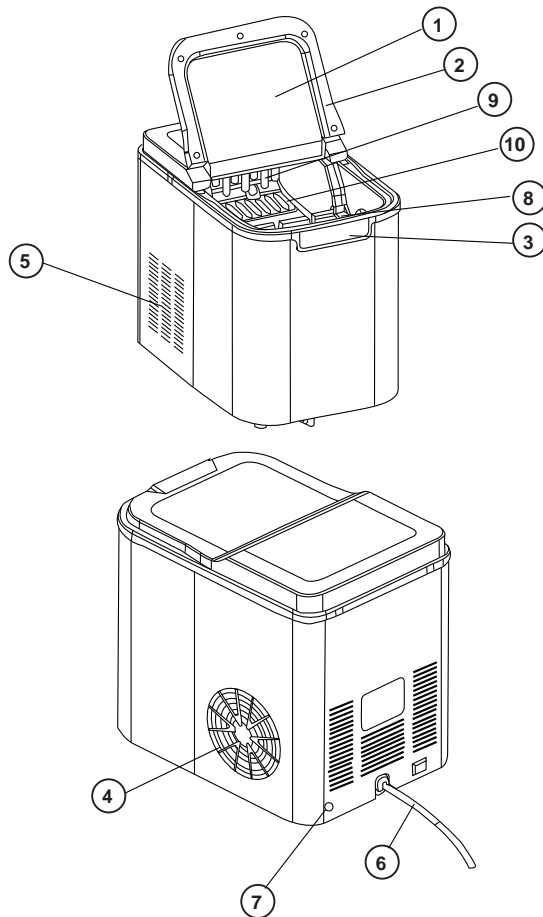
UBICACIÓN

1. Coloque la máquina de hielo de manera segura sobre una superficie resistente y plana.
2. Posicione la unidad lejos de fuentes de calor y evite la luz del sol directa, a fin de no impactar el rendimiento para fabricar hielo.
3. Asegúrese de que existe un espacio mínimo no obstruido de 20 cm (7.87 pulgadas) desde la salida y entrada de aire de la máquina de hielo.
4. La temperatura ambiente para la máquina de hielo no puede ser menor a 5°C (41°F).
5. Este equipo no puede ser usado en el exterior.

CARACTERÍSTICAS

1. El estado de fabricación de hielo se puede ver a través de la ventana transparente.
2. Operación con botón. La luz LED indica el modo.
3. Las funciones de pitido automáticas indican si falta agua, si la cubeta de hielo está llena o el ciclo de limpieza, lo que garantiza que el equipo está siempre funcionando de manera adecuada.

- ① Ventana transparente
- ② Cubierta
- ③ Panel de operación
- ④ Salida de aire
- ⑤ Entrada de aire
- ⑥ Cable eléctrico
- ⑦ Drenaje de salida de agua
- ⑧ Cubeta de hielo
- ⑨ Evaporador
- ⑩ Caja para hacer hielo






OPERACIÓN





PREPARACIÓN ANTES DE SU USO

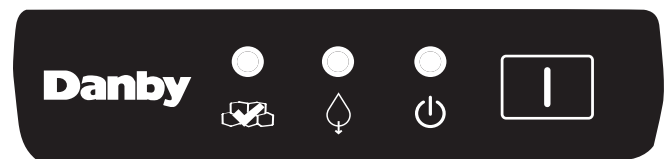
1. Retire y elimine adecuadamente todo el empaque.
2. Asegúrese de que tiene todos los accesorios e instrucciones.
3. Coloque el equipo en una posición adecuada (de acuerdo con las instrucciones anteriores).
4. Limpie la máquina antes de usarla (de acuerdo con las instrucciones en las páginas 18 y 19).
5. Inicie el modo de autolimpieza antes de usar la máquina de hielo por primera vez. (Vea el funcionamiento del modo de autolimpieza en la página 19).

USO DEL EQUIPO DE FABRICACIÓN DE HIELO

1. No encienda la fuente de alimentación de la máquina de hielo en un plazo de 30 minutos después de mover el equipo a fin de permitir que el aceite se asiente en el compresor si la unidad fue inclinada.
2. Vierta agua en el tanque de agua hasta la "Línea de llenado máximo" (vea la Fig. A en la página 19). Debe usar agua potable (agua que se pueda beber) para fabricar hielo.
3. Presione la tecla  para empezar a fabricar hielo.

PANEL DE CONTROL

| Botones e iconos | Funciones |
|---|---|
|  Botón | Iniciar operación, Estado de espera, Reparar fallas / Apagar la unidad. |
|  Indicador de ENCENDIDO | Indicador de encendido |
|  Indicador de cubeta llena | Indica que está lleno de cubos de hielo. |
|  Indicador de agregar agua | Indica escasez de agua, necesita agregar agua. |



LIMPIEZA Y MANTENIMIENTO

LIMPIEZA INTERNA

NOTA: Asegúrese de que la corriente esté apagada antes de limpiar cualquier parte de este aparato.

1. Asegúrese de desconectar el aparato antes de limpiarlo.
2. Asegúrese de desconectar el aparato antes de almacenarlo por un periodo largo.
3. Limpieza del tanque de agua:
 - 1). Desenrosque la tuerca y retire el tapón de caucho de la salida de agua, drene toda el agua.
 - 2). Use agua limpia caliente y un paño para limpiar dentro de la cubeta de hielo. Enjuague con agua limpia la unidad hasta que el agua que salga sea transparente. Drene toda el agua, reinstale los tapones de caucho y vuelva a ajustar la tuerca.
4. No use solventes, agua hirviendo, agentes de limpieza, ácidos fuerte o sustancias alcalinas fuertes para la limpieza.
5. Si la máquina de hielo no se usa por un periodo largo, debe desconectarla, drenar toda el agua, secar el aparato con un paño seco y almacenarlo en un lugar limpio.
6. Cuando haya terminado de fabricar hielo, drene todo el exceso de agua de la unidad. No permita que la misma agua se estanque en la unidad durante la noche o por periodos extendidos de tiempo.

DATOS ÚTILES

- Deje que la cubierta de la máquina de hielo permanezca abierta por unos cuantos minutos después de que el proceso de fabricar hielo se haya completado.
- **Paredes, fondo de la cubeta, ventana interior y partes de plástico:** algunos depósitos de agua y polvo se pueden retirar con una toalla de papel, otros pueden necesitar un paño húmedo..
- **Cubeta de hielo:** la cubeta de hielo se puede romper si se cae. Recuerde no hacer funcionar la máquina de hielo sin la cubeta de hielo en su lugar. No use limpiadores abrasivos o utensilios filosos en cualquier parte de su máquina de hielo.



LIMPIEZA Y MANTENIMIENTO

LIMPIEZA DEL EXTERIOR

CAJA EXTERNA: limpie el exterior del aparato con paño con jabón. Enjuague y luego seque. Limpie la ventana con un paño limpio húmedo.

PANEL DE CONTROL Y PUERTA: limpie con un paño húmedo. Seque por completo. No use aerosoles, grandes cantidades de jabón y agua y objetos abrasivos o filosos en el panel. Pueden dañar el equipo. Algunas marcas de las toallas de papel también pueden rayar el panel de control.

SUPERFICIE DE LA CUBIERTA: es importante mantener el área limpia donde la puerta se sella con el gabinete. Use sólo detergentes suaves, no abrasivos, aplicados con una esponja limpia o un paño suave. Enjuague bien.

OPERACIÓN EN MODO DE AUTOLIMPIEZA

El modo de autolimpieza se debe completar antes de usar su máquina de hielo por primera vez y/o si no la ha usado por un periodo largo. Las tres luces LED de ENCENDER, LLENO DE HIELO, AGREGAR AGUA estarán encendidas al mismo tiempo cuando la máquina de hielo esté en modo de autolimpieza.

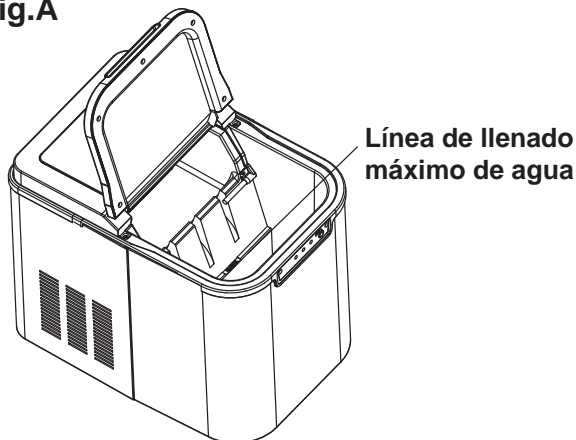
Etapa 1

1. Agregue partes iguales de agua y vinagre (1:1) al reservorio de la máquina de hielo.
2. En modo de espera, mantenga presionado el botón de ENCENDIDO/APAGADO por lo menos 5 segundos para activar el modo de autolimpieza. Note que el modo de autolimpieza empezará automáticamente después de un pitido.
3. Durante el modo de autolimpieza, la cubeta de agua superior se llena y se vacía. La bomba permanecerá en operación continua a medida que alimenta con agua la cubeta y las bobinas del evaporador. Este ciclo se ejecutará continuamente cinco veces.
4. Al término, la unidad cambiará automáticamente al modo de espera.

Etapa 2

1. Drene la solución de limpieza del reservorio interno retirando el tapón de drenaje trasero.
2. Agregue agua hasta la línea de llenado máximo. **Vea la Fig.A**

Fig.A




3. En el modo de espera, presione el botón de ENCENDIDO/APAGADO al menos por 5 segundos para activar el modo de autolimpieza nuevamente, el cual actuará ahora como un enjuague.
4. Al término de esta etapa final del proceso de autolimpieza, la unidad cambia automáticamente al modo de espera nuevamente. Proceda a drenar el agua del reservorio interno retirando el tapón trasero de drenaje. Deje la tapa de la máquina de hielo abierta para permitir que se seque al aire. El olor a vinagre se disipará rápidamente.

Note que si hay una escasez de agua durante el modo de autolimpieza, la unidad automáticamente pasará a un modo de espera. Si la cubeta de agua no se voltea, las luces de LLENO DE HIELO y AGREGAR AGUA destellarán al mismo tiempo. Necesita presionar y mantener presionado el botón ENCENDIDO/APAGADO por más de 5 segundos para desactivar el modo de autolimpieza a fin de cambiar las características de operación. No permita que el evaporador se remoje por un largo periodo en la solución de limpieza.



SOLUCIÓN SUGERIDA

Ocasionalmente, pueden presentarse problemas menores ante los cuales no será necesario llamar al servicio técnico. Use esta guía para resolver problemas para encontrar una solución posible. Si la unidad continúa funcionando de manera incorrecta, llame a un centro de servicio autorizado o al número gratuito de Danby 1-800-263-2629 (EE. UU.) para recibir asistencia.

| PROBLEMA | POSIBLE CAUSA | SOLUCIÓN |
|--|---|---|
| El indicador de ENCENDIDO no se prende. | La fuente de alimentación no está encendida. | 1. Revise si el suministro eléctrico es adecuado. 2. Revise si el cable eléctrico está conectado de manera adecuada a la unidad y al suministro eléctrico. 3. Los componentes internos pueden estar dañados. Se requiere mantenimiento por parte de un profesional. |
| El indicador de LLENO DE HIELO está encendido. | 1. Está lleno de hielo. 2. La temperatura es menor a 5°C. | 1. Retire el hielo. 2. Mueva la máquina de hielo a un lugar más caliente en donde la temperatura ambiente sea mayor de 5°C. |
| El indicador de AGREGAR AGUA está encendido. | Escasez de agua. | 1. Agregue agua potable al equipo y presione el botón  . 2. El sistema de suministro de agua puede estar dañado. Se requiere mantenimiento por parte de un profesional. |
| Los indicadores de LLENO DE HIELO y AGREGAR AGUA están encendidos. | La caja para hacer hielo está en una posición incorrecta. | 1. Revise si algún objeto extraño está atorado en la caja para fabricar hielo. 2. Los componentes internos pueden estar dañados. Se requiere mantenimiento por parte de un profesional. |
| No fabrica hielo o no funciona bien. | 1. La salida de calor está bloqueada. 2. La temperatura del agua es muy alta. 3. La temperatura ambiente es muy alta. 4. Fugas del refrigerante. | 1. Limpie cualquier resto de polvo en la entrada y salida de aire. 2. Llene con agua a temperatura ambiente. 3. Mueva la máquina de hielo a un lugar más caliente en donde la temperatura ambiente sea mayor de 5°C. 4. El sistema de refrigeración se puede dañar. Se requiere mantenimiento por parte de un profesional. |
| Ruido anormal | El ventilador o la bomba están obstruidos. | 1. Instale el aparato en una ubicación adecuada (vea la página 17) |



GARANTÍA LIMITADA PARA ELECTRODOMÉSTICOS

Este producto de calidad está garantizado contra defectos de fabricación, incluyendo partes y mano de obra, siempre y cuando la unidad se utilice bajo las condiciones normales de funcionamiento para las que fue diseñado.

Esta garantía está solamente disponible para la persona que haya comprado originalmente esta unidad directamente de DanbyProducts Limited (Canada) o Danby Products Inc. (U.S.A.) (en adelante "Danby") o uno de sus distribuidores autorizados, y no es transferible.

CONDICIONES DE LA GARANTÍA

Las piezas plásticas, se autorizan por treinta (30) días solamente a partir de la fecha de la compra, sin las extensiones proporcionadas.

Primeros 12 Meses opción Durante los primer 12 meses, cualquier parte en buen estado de este producto que resulte defectuosa, será reparado o reemplazado, a del fabricante, sin cargo para el comprador ORIGINAL.

Para obtener Service El cliente será responsable por transportar dicho artefacto hasta el Taller de Servicio Autorizado mas cercano. Comuníquese con el distribuidor donde haya comprado la unidad, o llame al Taller de Servicio Autorizado más cercano, donde debe ser reparada por un técnico calificado.
Si esta unidad es reparada en otro lugar que no sea un Taller de Servicio Autorizado, o si la unidad se utiliza para aplicaciones comerciales, Danby no se hará responsable de ninguna forma y la garantía será nulo.

Nada de lo indicado en esta garantía debe implicar que Danby se hará responsable por el deterioro de los alimentos o el daño a otros componentes de este electrodoméstico, ya sea debido a defectos del aparato, o al uso que se le dé, sea éste adecuado o inadecuado.

EXCLUSIONES

Salvo lo aquí indicado por Danby, no existen otras garantías, condiciones o representaciones, explícitas o implícitas, concretas o intencionales por parte de Danby o sus distribuidores autorizados y todas las demás garantías, condiciones o representaciones, incluyendo cualquier garantía, condiciones o representaciones bajo cualquier Acta de Venta de Productos o legislación o estatuto similar, quedan de esta forma expresamente excluidas. Salvo lo aquí indicado, Danby no serán responsables por ningún daño a personas o bienes, incluyendo la propia unidad, sin importar su causa, o de ningún daño indirecto causado por el desperfecto de la unidad, y al comprar esta unidad, el comprador acepta por la presente, indemnizar y proteger a Danby contra cualquier reclamo por daños a personas o bienes causados por la unidad.

CONDICIONES GENERALES

No se considerará ninguna de estas garantías o seguros cuando el daño o la necesidad de reparación sea el producto de los siguientes casos:

- 1) Falla del suministro eléctrico.
- 2) Daños en tránsito o durante el transporte de la unidad.
- 3) Alimentación incorrecta, como bajo voltaje, instalación eléctrica defectuosa o fusibles inadecuados.
- 4) Accidente, modificación, abuso o uso incorrecto del artefacto, tal como insuficiente ventilación del ambiente o condiciones de operación anormales (temperatura ambiente extremadamente alta o baja).
- 5) Utilización comercial o industrial (v.g., si el electrodoméstico no está instalado en una vivienda particular).
- 6) Incendio, daños por agua, robo, guerra, disturbios, hostilidades, actos de fuerza mayor como huracanes, inundaciones, etc.
- 7) Pedidos de servicio debido a desinformación del usuario.
- 8) Instalación inadecuada (v.g., instalación empotrada de un electrodoméstico diseñado como unidad independiente o uso de un electrodoméstico al aire libre que no esté aprobado para dicho fin).

Para acceder a la garantía se solicitará un comprobante de compra; por lo tanto, guarde su recibo. En caso de necesitar servicio de garantía, presente ese documento al TALLER DE SERVICIO AUTORIZADO.

Servicio de Garantía
Garantía para Llevar a Taller de Servicio

Danby Products Limited
PO Box 1778, Guelph, Ontario, Canada N1H 6Z9
Telephone: (519) 837-0920 FAX: (519) 837-0449

1-800-263-2629

Danby Products Inc.
PO Box 669, Findlay, Ohio, U.S.A. 45840
Telephone: (419) 425-8627 FAX: (419) 425-8629

