



KING KING CANADA

LED WORK LIGHT



MODEL: KC-4001LED

INSTRUCTION MANUAL

COPYRIGHT © 2021 ALL RIGHTS RESERVED BY KING CANADA TOOLS INC.

IMPORTANT INFORMATION



**2-YEAR
LIMITED WARRANTY
FOR THIS LED WORK LIGHT**

**KING CANADA TOOLS
OFFERS A 2-YEAR LIMITED WARRANTY
FOR DOMESTIC USE.**

PROOF OF PURCHASE

Please keep your dated proof of purchase for warranty and servicing purposes.

LIMITED TOOL WARRANTY

King Canada makes every effort to ensure that this product meets high quality and durability standards. King Canada warrants to the original retail consumer a 2-year limited warranty as of the date the product was purchased at retail and that each product is free from defects in materials. Warranty does not apply to defects due directly or indirectly to misuse, abuse, normal wear and tear, negligence or accidents, repairs done by an unauthorized service center, alterations and lack of maintenance. King Canada shall in no event be liable for death, injuries to persons or property or for incidental, special or consequential damages arising from the use of our products.

To take advantage of this limited warranty, return the product at your expense together with your dated proof of purchase to an authorized King Canada service center. Contact your retailer or visit our web site at www.kingcanada.com for an updated listing of our authorized service centers. In cooperation with our authorized service center, King Canada will either repair or replace the product if any part or parts covered under this warranty which examination proves to be defective in workmanship or material during the warranty period.

NOTE TO USER

This instruction manual is meant to serve as a guide only. Specifications and references are subject to change without prior notice.

KING CANADA INC. DORVAL, QUÉBEC, CANADA H9P 2Y4

www.kingcanada.com



GENERAL SAFETY INSTRUCTIONS FOR POWER TOOLS

WARNING! Read all safety warnings and all instructions. Failure to follow the warnings and instructions may result in electric shock, fire and/or serious injury. Save all warnings and instructions for future reference. The term "power tool" in the warnings refers to your corded power tool.

1) Work area safety

- a) Keep work area clean and well lit. Cluttered or dark areas invite accidents.
- b) Do not operate power tools in explosive atmospheres, such as in the presence of flammable liquids, gases or dust. Power tools create sparks which may ignite the dust or fumes.
- c) Keep children and bystanders away while operating a power tool. Distractions can cause you to lose control.

2) Electrical safety

- a) Power tool plugs must match the outlet. Never modify the plug in any way. Do not use any adapter plugs with earthed (grounded) power tools. Unmodified plugs and matching outlets will reduce risk of electric shock.
 - b) Avoid body contact with earthed or grounded surfaces such as pipes, radiators, ranges and refrigerators. There is an increased risk of electric shock if your body is earthed or grounded.
 - c) Do not expose power tools to rain or wet conditions. Water entering a power tool will increase the risk of electric shock.
 - d) Do not abuse the cord. Never use the cord for carrying, pulling or unplugging the power tool. Keep cord away from heat, oil, sharp edges or moving parts. Damaged or entangled cords increase the risk of electric shock.
 - e) When operating a power tool outdoors, use an extension cord suitable for outdoor use. Use of a cord suitable for outdoor use reduces the risk of electric shock.
 - f) If operating a power tool in a damp location is unavoidable, use a residual current device (RCD) protected supply. Use of an RCD reduces the risk of electric shock.
- NOTE: The term "residual current device (RCD)" may be replaced by the term "ground fault circuit interrupter (GFCI)" or "earth leakage circuit breaker (ELCB)".

3) Personal safety

- a) Stay alert, watch what you are doing and use common sense when operating a power tool. Do not use a power tool while you are tired or under the influence of drugs, alcohol or medication. A moment of inattention while operating power tools may result in serious personal injury.
- b) Use personal protective equipment. Always wear eye protection. Protective equipment such as dust mask, non-skid safety shoes, hard hat, or hearing protection used for appropriate conditions will reduce personal injuries.
- c) Prevent unintentional starting. Ensure the switch is in the off-position before connecting to power source, picking up or carrying the tool. Carrying power tools with your finger on the switch or energizing power tools that have the switch on invites accidents.
- d) Remove any adjusting key or wrench before turning the power tool on. A wrench or a key left attached to a rotating part of the power tool may result in personal injury.
- e) Do not overreach. Keep proper footing and balance at all times. This enables better control of the power tool in unexpected situations.

GENERAL & SPECIFIC SAFETY INSTRUCTIONS



3) Personal safety continued...

- f) Dress properly. Do not wear loose clothing or jewellery. Keep your hair, clothing and gloves away from moving parts. These can be caught in moving parts.
- g) If devices are provided for the connection of dust extraction and collection facilities, ensure these are connected and properly used. Use of dust collection can reduce dust-related hazards.

4) Power tool use and care

- a) Do not force the power tool. Use the correct power tool for your application. The correct power tool will do the job better and safer at the rate for which it was designed.
- b) Do not use the power tool if the switch does not turn it on and off. Any power tool that cannot be controlled with the switch is dangerous and must be repaired.
- c) Disconnect the plug from the power source and/or the battery pack from the power tool before making any adjustments, changing accessories, or storing power tools. Such preventive safety measures reduce the risk of starting the power tool accidentally.
- d) Store idle power tools out of the reach of children and do not allow persons unfamiliar with the power tool or these instructions to operate the power tool.

Power tools are dangerous in the hands of untrained users.

- e) Maintain power tools. Check for misalignment or binding of moving parts, breakage of parts and any other condition that may affect the power tool's operation. If damaged, have the power tool repaired before use. Many accidents are caused by poorly maintained power tools.
- f) Keep cutting tools sharp and clean. Properly maintained cutting tools with sharp cutting edges are less likely to bind and are easier to control.
- g) Use the power tool, accessories and tool bits etc. in accordance with these instructions, taking into account the working conditions and the work to be performed. Use of the power tool for operations different from those intended could result in a hazardous situation.

5) Service

- a) Have your power tool serviced by a qualified repair person using only identical replacement parts. This will ensure that the safety of the tool is maintained.

LED WORK LIGHT SAFETY WARNINGS

READ AND UNDERSTAND ALL WARNINGS, CAUTIONS AND OPERATING INSTRUCTIONS BEFORE USING THIS EQUIPMENT. Failure to follow all instructions listed below may result in electric shock, fire and/or serious personal injury.

CAUTION: RISK OF ELECTRIC SHOCK, Do not use with extension cord near water or where water may accumulate. Keep work light at least 16 feet from pools and spas. Keep plugs and receptacles dry. Use only three wire outdoor extension cords with grounded plugs and grounded receptacles.

PERSONAL INJURY

- Ground Fault Circuit Interrupter (GFCI) protection should be provided on the circuit(s) or outlet(s) to be used for wet location work light.
- Use only with an extension cord rated for outdoor use.
- Do not look directly at the lighted lamps to avoid eye injuries.
- Always keep the work light away from any flammable surface or materials.
- Do not modify the work light in any way. Unauthorized modification may impair the function and/or safety and could affect the life of the product. There are specific applications for which the work light was designed.



ELECTRICAL INFORMATION

Technical Specifications

Model	KC-4001LED
Voltage-Cycle/Phase	120V, 60Hz, 1 phase
Amperage	0.33A
Lumens	4,000 (6500K)
Wattage	36W
LED life	+30,000 hours

POWER SUPPLY

WARNING: YOUR LED WORK LIGHT MUST BE CONNECTED TO A 120V, 15-AMP, BRANCH CIRCUIT BREAKER. FAILURE TO CONNECT IN THIS WAY CAN RESULT IN INJURY FROM SHOCK OR FIRE.

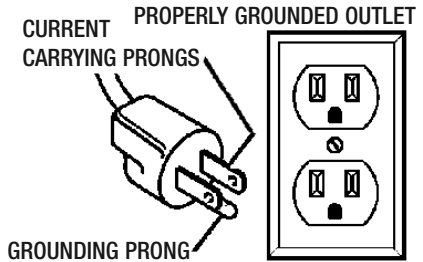


FIGURE 1

GROUNDING

Your work light must be properly grounded. Not all outlets are properly grounded. If you are not sure if your outlet is properly grounded, have it checked by a qualified electrician. If this work light should malfunction or breakdown, grounding provides a path of least resistance for electric current, to reduce the risk of electric shock. This work light is equipped with a cord having an equipment-grounding conductor and grounding plug. The plug must be plugged into an appropriate outlet that is properly installed and grounded in accordance with all local codes and ordinances.

WARNING: IF NOT PROPERLY GROUNDED, THIS WORK LIGHT CAN CAUSE ELECTRICAL SHOCK, PARTICULARLY WHEN USED IN DAMP LOCATIONS. TO AVOID SHOCK OR FIRE, IF THE POWER CORD IS WORN OR DAMAGED IN ANY WAY, HAVE IT REPLACED IMMEDIATELY.

WARNING: TO MAINTAIN PROPER GROUNDING, DO NOT REMOVE OR ALTER THE GROUNDING PRONG IN ANY MANNER.

120V OPERATION

As received from the factory, your work light is ready to run for 120V operation. This work light is intended for use on a circuit that has an outlet and a plug which looks like the one illustrated in Fig.1.

<u>LENGTH OF EXTENSION</u>	<u>WIRE SIZES REQUIRED (AMERICAN WIRE GAUGE)</u>
	<u>120V LINES</u>
0-25 FEET	NO.16
26-50 FEET	NO.14
51-100 FEET	NO.12

FIGURE 2

EXTENSION CORDS

The use of any extension cord will cause some loss of power. Use the chart in Fig.2 to determine the recommended minimum wire size (A.W.G-American Wire Gauge) extension cord. Use only 3-wire extension cords which have 3-prong grounding type plugs and 3-hole receptacles which accept the tool's plug. For circuits that are further away from the electrical circuit box, the wire size must be increased proportionately in order to deliver ample voltage. Refer to Fig.2 for wire length and size.

GETTING TO KNOW YOUR LED WORK LIGHT



Getting to know your LED Work Light



FIGURE 3

- 1- Carry handle with foam
- 2- Aluminum housing
- 3- 1 of 2 tilt lock knob
- 4- Pivot lock knob

- 5- Steel base
- 6- 5ft. power cord
- 7- LED
- 8- Sealed On/Off switch



ASSEMBLY, OPERATION & MAINTENANCE

ASSEMBLY

ATTACHING WORK LIGHT HEAD TO BASE

Place the base (A) Fig.4 on a flat surface. Position the U-Shape bracket (B) of the work light head onto the base (A) as shown in Fig.4. Use the lock knob (C), flat washer and spring washer to secure the work light head on the base.



FIGURE 4

OPERATION

ADJUSTING THE LIGHT DIRECTION

Your work light can be tilted vertically up to 30° down or 90° up. To adjust the light direction, loosen the side locking knobs (D) Fig.4. Adjust the work light head to desired position, and retighten knobs.

ON/OFF SWITCH

Your work light is equipped with a weather protected sealed ON/OFF switch (A) Fig.5 located on the back side of the work light. Press the switch once to turn the work light on and press the switch a second time to turn it off. Always turn the work light off before unplugging from power source.

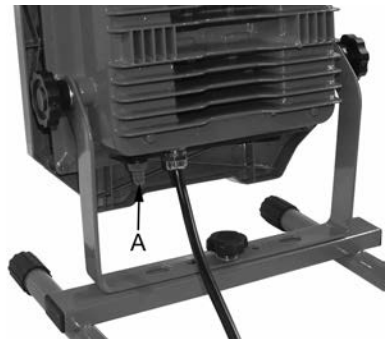


FIGURE 5

MAINTENANCE & SERVICE

Your work light requires very little care and maintenance. Simply clean the lens regularly with a non-abrasive cleaner. Use similar care for the base and U-bracket. When servicing, use only identical parts. Use of any other parts may create a hazard or cause product damage. Contact a King Canada service centre for identical replacement parts.

WARNING: Always make sure the work light is unplugged and completely cool before attempting to clean it.

RECYCLING

Do not dispose of electrical appliances as unsorted municipal waste, use separate collection facilities. Contact your local government for information regarding the collection systems available. If electrical appliances are disposed of in landfills or dumps, hazardous substances can leak into the groundwater and get into the food chain, damaging your health and well-being.

PARTS DIAGRAM & PARTS LISTS

Refer to the Parts section of the King Canada web site for the most updated parts diagram and parts list.