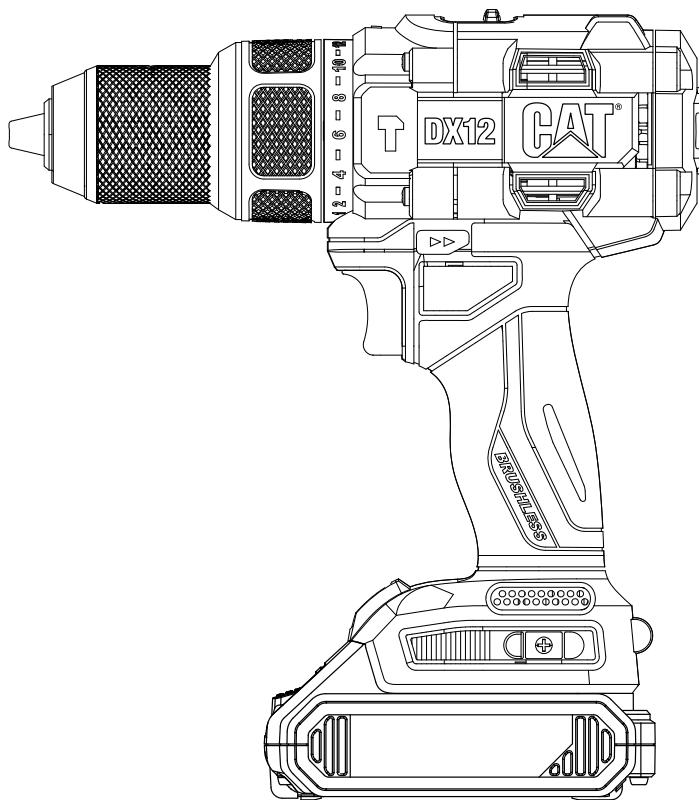


CAT[®]



18V

DX12 DX12B



1/2 IN. CORDLESS HAMMER DRILL

EN

P04

1/2 IN. PERCEUSE À PERCUSSION SANS FIL

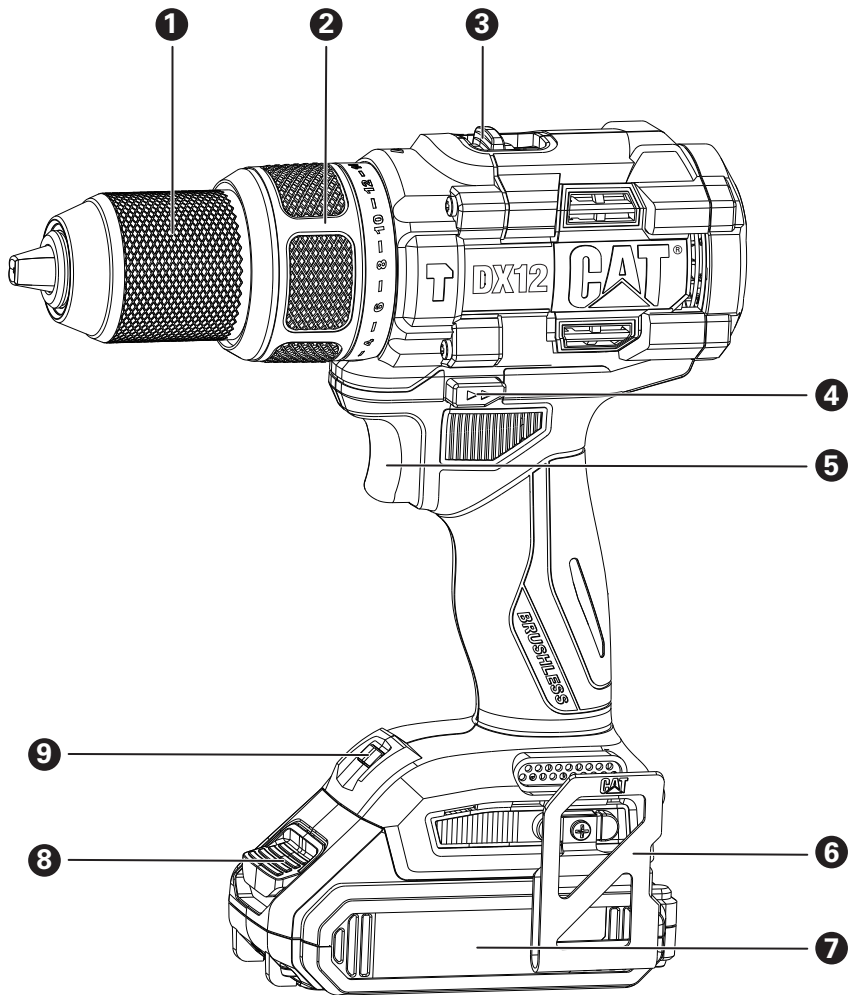
FR

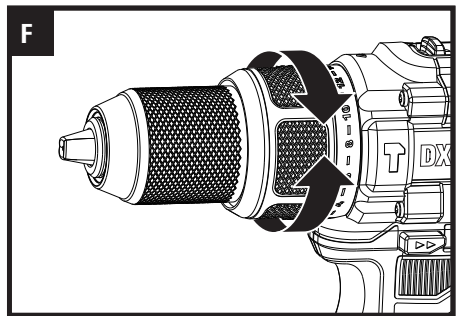
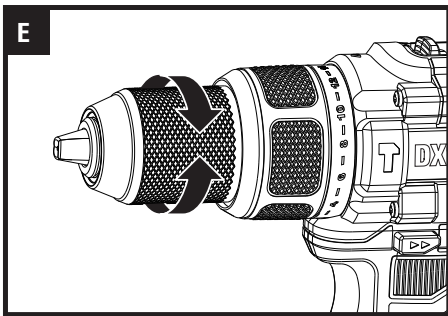
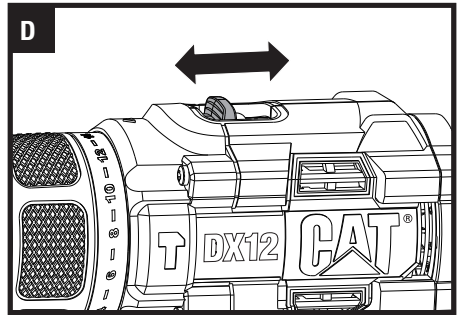
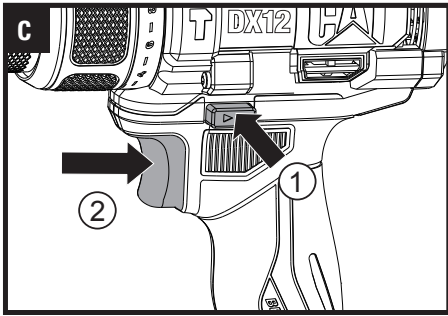
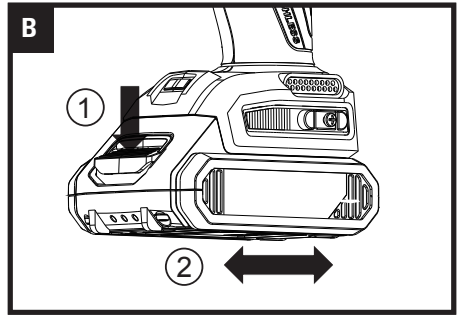
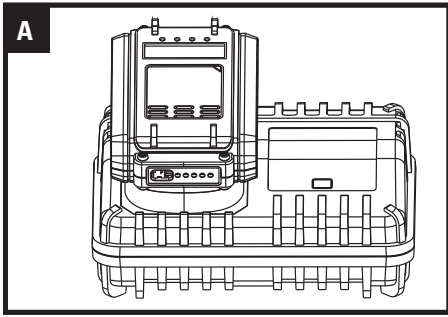
P11

TALADRO PERCUTOR DE 13 MM SIN CABLE

ES

P19






COMPONENT LIST

1. KEYLESS CHUCK
2. TORQUE ADJUSTMENT RING
3. TWO-SPEED GEAR CONTROL
4. FORWARD AND REVERSE SWITCH
5. VARIABLE SPEED TRIGGER
6. BELT CLIP
7. BATTERY PACK*
8. BATTERY PACK RELEASE BUTTON*
9. LED LIGHT


* Not all the accessories illustrated or described are included in standard delivery.

PRODUCT SAFETY


 **WARNING:** Some dust created by power sanding, sawing, grinding, drilling and other construction activities contains chemicals known to the State of California to cause cancer, birth defects or other reproductive harm. Some examples of these chemicals are:

- Lead from lead-based paints;
- Crystalline silica from bricks and cement and other masonry products;
- Arsenic and chromium from chemically-treated lumber.

Your risk from these exposures varies, depending on how often you do this type of work. To reduce your exposure to these chemicals: work in a well ventilated area, and work with approved safety equipment such as dust masks that are specially designed to filter out microscopic particles.

 **WARNING:** This product can expose you to chemicals including lead and Di(2-ethylhexyl) phthalate (DEHP) which are known to the State of California to cause cancer and birth defects or other reproductive harm. For more information go to www.P65Warnings.ca.gov.

GENERAL POWER TOOL SAFETY WARNINGS

 **WARNING** Read all safety warnings, instructions, illustrations and specifications provided with this power tool. Failure to follow all instructions listed below may result in electric shock, fire and/or serious injury. Save all warnings and instructions for future reference.

The term "power tool" in the warnings refers to your mains-operated (corded) power tool or battery-operated (cordless) power tool.

1) Work area safety

- a) **Keep work area clean and well lit.** Cluttered or dark areas invite accidents.
- b) **Do not operate power tools in explosive atmospheres, such as in the presence of flammable liquids, gases or dust.** Power tools create sparks which may ignite the dust or fumes.
- c) **Keep children and bystanders away while operating a power tool.** Distractions can cause you to lose control.

2) Electrical safety

- a) **Power tool plugs must match the outlet. Never modify the plug in any way. Do not use any adapter plugs with earthed (grounded) power tools.** Unmodified plugs and matching outlets will reduce risk of electric shock.
- b) **Avoid body contact with earthed or grounded surfaces, such as pipes, radiators, ranges and refrigerators.** There is an increased risk of electric shock if your body is earthed or grounded.
- c) **Do not expose power tools to rain or wet conditions.** Water entering a power tool will increase the risk of electric shock.
- d) **Do not abuse the cord. Never use the cord for carrying, pulling or unplugging the power tool. Keep cord away from heat, oil, sharp edges or moving parts.** Damaged or entangled cords increase the risk of electric shock.
- e) **When operating a power tool outdoors, use an extension cord suitable for outdoor use.** Use of a cord suitable for outdoor use reduces the risk of electric shock.

f) **If operating a power tool in a damp location is unavoidable, use a residual current device (RCD) protected supply.** *Use of an RCD reduces the risk of electric shock.*

3) Personal safety

a) **Stay alert, watch what you are doing and use common sense when operating a power tool. Do not use a power tool while you are tired or under the influence of drugs, alcohol or medication.** *A moment of inattention while operating power tools may result in serious personal injury.*

b) **Use personal protective equipment. Always wear eye protection.** *Protective equipment such as dust mask, non-skid safety shoes, hard hat, or hearing protection used for appropriate conditions will reduce personal injuries.*

c) **Prevent unintentional starting. Ensure the switch is in the off-position before connecting to power source and/or battery pack, picking up or carrying the tool.** *Carrying power tools with your finger on the switch or energising power tools that have the switch on invites accidents.*

d) **Remove any adjusting key or wrench before turning the power tool on.** *A wrench or a key left attached to a rotating part of the power tool may result in personal injury.*

e) **Do not overreach. Keep proper footing and balance at all times.** *This enables better control of the power tool in unexpected situations.*

f) **Dress properly. Do not wear loose clothing or jewellery. Keep your hair and clothing away from moving parts.** *Loose clothes, jewellery or long hair can be caught in moving parts.*

g) **If devices are provided for the connection of dust extraction and collection facilities, ensure these are connected and properly used.** *Use of dust collection can reduce dust-related hazards.*

h) **Do not let familiarity gained from frequent use of tools allow you to become complacent and ignore tool safety principles.** *A careless action can cause severe injury within a fraction of a second.*

4) Power tool use and care

a) **Do not force the power tool. Use the correct power tool for your application.** *The correct power tool will do the job better and safer at the rate for which it was designed.*

b) **Do not use the power tool if the switch does not turn it on and off.** *Any power tool that cannot be controlled with the switch is dangerous and must be repaired.*

c) **Disconnect the plug from the power source and/ or remove the battery pack, if detachable, from**

the power tool before making any adjustments, changing accessories, or storing power tools. *Such preventive safety measures reduce the risk of starting the power tool accidentally.*

d) **Store idle power tools out of the reach of children and do not allow persons unfamiliar with the power tool or these instructions to operate the power tool.** *Power tools are dangerous in the hands of untrained users.*

e) **Maintain power tools and accessories. Check for misalignment or binding of moving parts, breakage of parts and any other condition that may affect the power tool's operation. If damaged, have the power tool repaired before use.** *Many accidents are caused by poorly maintained power tools.*

f) **Keep cutting tools sharp and clean.** *Properly maintained cutting tools with sharp cutting edges are less likely to bind and are easier to control.*

g) **Use the power tool, accessories and tool bits etc. in accordance with these instructions, taking into account the working conditions and the work to be performed.** *Use of the power tool for operations different from those intended could result in a hazardous situation.*

h) **Keep handles and grasping surfaces dry, clean and free from oil and grease.** *Slippery handles and grasping surfaces do not allow for safe handling and control of the tool in unexpected situations.*

5) Battery tool use and care

a) **Recharge only with the charger specified by the manufacturer.** *A charger that is suitable for one type of battery pack may create a risk of fire when used with another battery pack.*

b) **Use power tools only with specifically designated battery packs.** *Use of any other battery packs may create a risk of injury and fire.*

c) **When battery pack is not in use, keep it away from other metal objects, like paper clips, coins, keys, nails, screws or other small metal objects, that can make a connection from one terminal to another.** *Shorting the battery terminals together may cause burns or a fire.*

d) **Under abusive conditions, liquid may be ejected from the battery; avoid contact. If contact accidentally occurs, flush with water. If liquid contacts eyes, additionally seek medical help.** *Liquid ejected from the battery may cause irritation or burns.*

e) **Do not use a battery pack or tool that is damaged or modified.** *Damaged or modified batteries may exhibit unpredictable behaviour resulting in fire, explosion or risk of injury.*

- f) **Do not expose a battery pack or tool to fire or excessive temperature.** *Exposure to fire or temperature above 265 °F (130 °C) may cause explosion.*
 - g) **Follow all charging instructions and do not charge the battery pack or tool outside the temperature range specified in the instructions.** *Charging improperly or at temperatures outside the specified range may damage the battery and increase the risk of fire.*
- 6) **Service**
- a) **Have your power tool serviced by a qualified repair person using only identical replacement parts.** *This will ensure that the safety of the power tool is maintained.*
 - b) **Never service damaged battery packs.** *Service of battery packs should only be performed by the manufacturer or authorized service providers.*

DRILL SAFETY WARNINGS

- 1) **Safety instructions for all operations**
 - a) **Wear ear protectors when impact drilling.** *Exposure to noise can cause hearing loss.*
 - b) **Hold the power tool by insulated gripping surfaces, when performing an operation where the cutting accessory or fasteners may contact hidden wiring or its own cord.** *Cutting accessory or fasteners contacting a "live" wire may make exposed metal parts of the power tool "live" and could give the operator an electric shock.*
- 2) **Safety instructions when using long drill bits**
 - a) **Never operate at higher speed than the maximum speed rating of the drill bit.** *At higher speeds, the bit is likely to bend if allowed to rotate freely without contacting the workpiece, resulting in personal injury.*
 - b) **Always start drilling at low speed and with the bit tip in contact with the workpiece.** *At higher speeds, the bit is likely to bend if allowed to rotate freely without contacting the workpiece, resulting in personal injury.*
 - c) **Apply pressure only in direct line with the bit and do not apply excessive pressure.** *Bits can bend causing breakage or loss of control, resulting in personal injury.*

SAFETY WARNINGS FOR BATTERY PACK

- a) **Do not dismantle, open or shred battery pack.**
- b) **Do not expose battery pack to heat or fire. Avoid storage in direct sunlight.**
- c) **Do not short-circuit a battery pack. Do not store battery packs haphazardly in a box or drawer where they may short-circuit each other or be short-circuited by other metal objects.** *When battery pack is not in use, keep it away from other metal objects, like paper clips, coins, keys, nails, screws or other small metal objects, that can make a connection from one terminal to another. Shorting the battery terminals together may cause burns or fire.*
- d) **Do not remove battery pack from its original packaging until required for use.**
- e) **Do not subject battery pack to mechanical shock.**
- f) **In the event of battery leaking, do not allow the liquid to come in contact with the skin or eyes. If contact has been made, wash the affected area with copious amounts of water and seek medical advice.**
- g) **Observe the plus (+) and minus (-) marks on the battery back and equipment and ensure correct use.**
- h) **Do not use any battery pack which is not designed for use with the equipment.**
- i) **Keep battery pack out of the reach of children.**
- j) **Seek medical advice immediately if a cell or battery has been swallowed.**
- k) **Always purchase the battery pack recommended by the device manufacturer for the equipment.**
- l) **Keep battery pack clean and dry.**
- m) **Wipe the battery pack terminals with a clean dry cloth if they become dirty.**
- n) **Battery pack needs to be charged before use.** *Always use the correct charger and refer to the manufacturer's instructions or equipment manual for proper charging instructions.*
- o) **Do not leave battery pack on prolonged charge when not in use.**
- p) **After extended periods of storage, it may be necessary to charge and discharge the battery pack several times to obtain maximum performance.**
- q) **Recharge only with the charger specified by Cat®.** *Do not use any charger other than that specifically provided for use with the equipment.*
- r) **Retain the original product literature for future reference.**
- s) **Use only the battery pack in the application for which it was intended.**
- t) **Remove the battery pack from the equipment when**

not in use.

- u) **Dispose of properly.**
- v) **Do not mix cells of different manufacture, capacity, size or type within a device.**

SYMBOLS



To reduce the risk of injury, user must read instruction manual



Warning



Wear eye protection



Wear ear protection



Wear dust mask



Li-Ion

Li-Ion battery, battery must be recycled



Do not burn



Batteries may enter water cycle if disposed improperly, which can be hazardous for ecosystem. Do not dispose of waste batteries as unsorted municipal waste.



call2recycle®

POSITEC Inc. has established a partnership with the RBRC Corporation to recycle any Positec batteries with the RBRC-call2recycle seal. For environmental protection, please do not discard batteries in the trash. After the batteries' life cycle is ended, then please call 1-800-822-8837 for a free service that will properly dispose of the battery.

TECHNICAL DATA

Type Designation DX12 DX12B (12 - designation of machinery, representative of hammer drill)

		DX12	DX12B
Voltage		18V \equiv	
No load speed		0-500 / 0-2,000 /min	
Impact rate		0-8,000 / 0-32,000 bpm	
Max torque		600 in. lbs. (65 N.m)	
Chuck capacity		1/2 in. (13 mm)	
Number of clutch positions		22+1+1	
Max. drilling capacity	Steel	1/2 in. (13 mm)	
	Wood	1-5/8 in. (40 mm)	
	Concrete	5/8 in. (16 mm)	
Battery capacity (DXB2)		2.0 Ah	/
Charger input (DXC4)		120V~60Hz, 95W	/
Charger output (DXC4)		20V \equiv 4A	/
Charger protection class		\square /II	/
Machine weight		4.35 lbs (1.97 kg)	3.53 lbs (1.6 kg)

EN

ACCESSORIES

	DX12	DX12B
Belt clip	1	1
Battery pack (DXB2)	2	/
Charger (DXC4)	1	/

We recommend that you purchase your accessories from the same store that sold you the tool. Refer to the accessory packaging for further details. Store personnel can assist you and offer advice.

OPERATING INSTRUCTIONS



NOTE: Before using the tool, read the instruction book carefully.

INTENDED USE

The machine is intended for driving in and loosening screws as well as for drilling in wood, metal, plastic and masonry.

BEFORE PUTTING INTO OPERATION

1. CHARGE YOUR BATTERY PACK (SEE FIG. A)

2. CHECKING THE BATTERY POWER CONDITION

5 LED lights show the battery power condition. Before starting or after use, press the button beside the lights to check the battery charge status.

ASSEMBLY

1. TO REMOVE OR INSTALL BATTERY PACK (SEE FIG. B)

Depress the battery pack release button to release and slide the battery pack out from your tool. After recharge, slide it back into your tool. A simple push and slight pressure will be sufficient.

OPERATION

1. VARIABLE SPEED TRIGGER (SEE FIG. C)

Depress the variable speed trigger to start and release it to stop your drill. The variable speed trigger is fitted with a brake function which stops your chuck immediately when you quickly release the trigger.

It is also a variable speed switch that delivers higher speed and torque with increased trigger pressure. Speed is controlled by the amount of switch trigger depression.



WARNING: Do not operate for long periods at low speed because excess heat will be produced internally.





WARNING: When overload occurs, release the variable speed trigger immediately to avoid the motor overheating.

2. SWITCH LOCK

The switch trigger can be locked in the OFF position. This helps to reduce the possibility of accidental starting when not in use. To lock the switch trigger, place the rotation control in the center position.

3. FORWARD AND REVERSE SWITCH (SEE FIG. C)

Forward rotation: Push and press the "" from body back side to body front side for drilling.

Reverse rotation: Push and press the "" from body front side to body back side for removing the drill bits.



WARNING: Never change the direction of rotation while the tool is rotating, wait until it has stopped.

4. TWO-SPEED GEAR CONTROL (SEE FIG. D)

The drill has a two-speed gear control designed for drilling or driving at LO (mark is 1) or HI (mark is 2) speeds. A slide switch is located on top of the drill to select either LO or HI speed. When using the drill in the LO speed range, the speed will decrease and the drill will have greater power and torque. When using the drill in the HI speed range, the speed will increase and the drill will have less power and torque.

Gear I

Low speed range: for screwdriving or working with large drilling diameter

Gear II

High speed range: for working with small drilling diameter



WARNING: To prevent gear damage, always allow the chuck to come to a complete stop before changing the direction of rotation or the two-speed gear control.





WARNING: When overload occurs frequently on the high speed gear, switch to the low speed gear to avoid the motor overheating.

5. CHUCK ADJUSTMENT (SEE FIG. E)

To open the chuck jaws rotate the front section of the chuck. Insert the drill bit between the chuck jaws and rotate the front section in the opposite direction. Ensure the drill bit is in the center of the chuck jaws. Finally, firmly rotate the front chuck section in the opposite directions. Your drill bit is now clamped in the chuck.

6. TORQUE ADJUSTMENT (SEE FIG. F)

The torque is adjusted by rotating the torque adjustment ring. The torque is greater when the torque adjustment ring is set on a higher setting. The torque is less when the torque adjustment ring is set on a lower setting. Make the setting as follows:

1 - 4	for driving small screws
5 - 9	for driving screws into soft material
10 - 14	for driving screws into soft and hard material
15 - 21	for driving screws into hard wood
22	for driving larger screws
	for heavy drilling
	for drilling in masonry and concrete

7. AUTOMATIC SPINDLE LOCK

The automatic spindle lock allows you to use it as a regular screwdriver. You can give an extra twist to firmly tighten a screw, loosen a very tight screw or continue working when the battery energy has expired. For

manual screwdriver purposes, the chuck is automatically locked when the tool is off.

8. USING THE LED LIGHT

To turn on the light simply press the variable speed trigger. When you release the trigger, the light will be off. LED lighting increases visibility-great for dark or enclosed area. LED is also a battery capacity indicator. It will flash when power gets low.


9. BELT CLIP

Screw the belt clip on the tool with the screw. The belt clip can be hooked on your belt or pocket, etc.

10. DRILLING

When drilling into a hard smooth surface, use a center punch to mark the desired hole location. This will prevent the drill bit from slipping off center as the hole is started. Hold the tool firmly and place the tip of the bit at the point to be drilled. Depress the trigger to start the tool. Move the drill bit into the workpiece, applying only enough pressure to keep the bit cutting. Do not force or apply side pressure to elongate a hole.

If you want to activate the drill function (For drilling in metal, wood, plastic or masonry), turn the torque adjustment ring on the drill position. If you want to activate the impact function (For masonry or concrete), turn the torque adjustment ring on the hammer position.

 **WARNING: When drilling in metal, only use HSS drill bits in good condition. Always use a magnetic bit holder (not included) when using short screwdriver bits. When screw-driving, apply a small quantity of liquid soap or similar to the screw threads to ease insertion.**

11. OVERLOAD PROTECTION

When overloaded, the motor comes to a stop. Relieve the load on the machine immediately and allow cooling for approx. 30 seconds at the highest no-load speed.

12. TEMPERATURE DEPENDENT OVERLOAD PROTECTION

When using as intended for the power tool cannot be subject to overload. When the load is too high or the allowable battery temperature of 167°F (75°C) is exceeded, the electronic control switches off the power tool until the temperature is in the optimum temperature range again.

13. PROTECTION AGAINST DEEP DISCHARGING

The Li-ion battery is protected against deep discharging by the "Discharging Protection System". When the battery is empty, the machine is switched off by means of a protective circuit: The inserted tool no longer rotates.

PROBLEM SOLUTION

1. WHY DOES THE DRILL NOT TURN ON WHEN YOU PRESS THE SWITCH?

The forward/reverse switch, which is on top of the trigger, is positioned in the lock function. Unlock the forward/reverse switch by putting it into the required rotation position. Push the trigger and the drill will start to rotate.

2. THE DRILL STOPS BEFORE THE SCREW IS COMPLETELY TIGHTENED. WHY?

Verify the torque position of the torque adjusting ring, you can find the torque-adjusting ring between the chuck and the drill body. Position 1 is the lowest torque (screw driving force) and position 22 is the highest torque (screw driving force). Position 8 is for drill operation. Position 17 is for hammer drill operation. Regulate the torque adjusting ring to a higher position to reach the best result.

3. REASONS FOR DIFFERENT BATTERY PACK WORKING TIMES

Charging time problems, having not used a battery pack for a prolonged time will reduce the battery pack working time. This can be corrected after several charge and discharge operations by charging & working. Heavy working conditions will use up the battery pack energy faster than lighter working conditions. Do not re-charge your battery pack below 32°F (0°C) and above 104°F (40°C) as this will affect performance.

MAINTENANCE

Remove the battery pack from the tool before carrying out any adjustment, servicing or maintenance.

Your power tool requires no additional lubrication or maintenance. There are no user serviceable parts in your power tool. Never use water or chemical cleaners to clean your power tool. Wipe clean with a dry cloth. Always store your power tool in a dry place. Keep the motor ventilation slots clean. Keep all working controls free of dust. Occasionally you may see sparks through the ventilation slots. This is normal and will not damage your power tool.

FOR BATTERY TOOLS


The ambient temperature range for the use and storage of tool and battery is 32-113°F (0°C-45°C). The recommended ambient temperature range for the charging system during charging is 32 -104°F (0°C-40°C).

LISTE DES ÉLÉMENTS

1. MANDRIN SANS CLÉ
2. NIVEAU DE COUPLE
3. COMMANDE BASSE VITESSE / HAUTE VITESSE DE LA BOÎTE D'ENGRENAGES
4. INTERRUPTEUR AVANT ET ARRIÈRE
5. GÂCHETTE À VITESSE VARIABLE
6. CROCHET DE CEINTURE
7. BLOC-PILES*
8. MÉCANISME DE RETENUE DU BLOC-PILES*
9. LUMIÈRE DE VISIBILITÉ


* Les accessoires illustrés ou décrits ne sont pas tous compris dans le cadre de la livraison standard.

SÉCURITÉ DU PRODUIT


 **AVERTISSEMENT:** Certaines des poussières produites en utilisant des outils électriques sont considérées par l'État de Californie comme susceptibles de provoquer le cancer, des anomalies congénitales et d'autres problèmes de reproduction. Voici des exemples de ces produits chimiques:

- Plomb issu de peinture à base de plomb;
- Silice cristalline issue de briques et du ciment et autres produits de maçonnerie;
- Arsenic et chrome issus de bois traité chimiquement.

Votre risque de ces expositions varie en fonction de la fréquence à laquelle vous effectuez ce travail. Pour réduire votre exposition à ces produits chimiques: travaillez dans une zone bien ventilée; portez un équipement de sécurité approuvé, tel que des masques anti poussières spécialement conçus pour éliminer les particules microscopiques par filtrage.

 **AVERTISSEMENT:** Ce dispositif peut vous exposer aux produits chimiques notamment le plomb et le di-phtalate (de 2-éthylhexyle) (DEHP) qui sont reconnus dans l'État de Californie comme causant des cancers et des anomalies congénitales ou d'autres anomalies de la reproduction. Pour en savoir plus, veuillez consulter le site www.P65Warnings.ca.gov.

AVERTISSEMENTS GENERAUX CONCERNANT LA SECURITE DES OUTILS ELECTRIQUES

 **AVERTISSEMENT:** Lisez et assimilez toutes les instructions. *Le non-respect des instructions ci-après peut entraîner un risque de choc électrique, d'incendie et/ou de blessures graves.*

Conservez tous les avertissements et instructions pour pouvoir les consulter ultérieurement.

L'expression « outil électrique » dans tous les avertissements énumérés ci-dessous se réfère à votre outil électrique fonctionnant sur secteur (branché) ou à batterie (sans-fil).

- 1) Aire de travail
 - a) Veillez à ce que l'aire de travail soit propre et bien éclairée. *Le désordre et le manque de lumière favorisent les accidents.*
 - b) N'utilisez pas d'outils électriques dans un milieu présentant un risque d'explosion, par exemple en présence de liquides, de gaz ou de poussières inflammables. *Les outils électriques créent des étincelles qui pourraient enflammer les poussières ou les vapeurs.*
 - c) Gardez à distance les curieux, les enfants et les visiteurs lorsque vous travaillez avec un outil électrique. *Ils pourraient vous distraire et vous faire faire une fausse manoeuvre.*
- 2) Sécurité électrique
 - a) Les fiches des outils électriques doivent correspondre aux prises murales. Ne jamais modifier la fiche de quelque façon que ce soit. Ne pas utiliser de fiches d'adaptation avec des

FR

outils électriques mis à la terre (mis à la masse).

Des fiches non modifiées et des prises qui leur correspondent réduiront le risque de choc électrique.

- b) **Évitez tout contact corporel avec des surfaces mises à la terre (tuyauterie, radiateurs, cuisinières, réfrigérateurs, etc.** *Le risque de choc électrique est plus grand si votre corps est en contact avec la terre.*
- c) **N'exposez pas les outils électriques à la pluie ou à l'eau.** *La présence d'eau dans un outil électrique augmente le risque de choc électrique.*
- d) **Ne maltraitez pas le cordon. Ne transportez jamais l'outil par son cordon et ne débranchez jamais la fiche en tirant sur le cordon. N'exposez pas le cordon à la chaleur, à des huiles, à des arrêtes vives ou à des pièces en mouvement.** *Un cordon endommagé augmente le risque de choc électrique.*
- e) **Lorsque vous utilisez un outil électrique à l'extérieur, utilisez un prolongateur adapté à une utilisation en extérieur.** *L'utilisation d'un cordon adapté à une utilisation extérieure réduit le risque de choc électrique.*
- f) **Si vous devez utiliser un outil électrique dans un endroit humide, utilisez un dispositif de courant résiduel (RCD) d'alimentation protégée.** *L'utilisation d'un RCD réduit le risque de choc électrique.*
- 3) **Sécurité des personnes**
 - a) **Restez alerte, concentrez-vous sur votre travail et faites preuve de bon sens. N'utilisez pas un outil électrique si vous êtes fatigué ou sous l'influence de drogues, d'alcool ou de médicaments.** *Un instant d'inattention lors de l'utilisation d'outils électriques peut entraîner des blessures graves.*
 - b) **Utilisez des accessoires de sécurité. Portez toujours une protection oculaire.** *De l'équipement de sécurité tel que le masque antipoussière, les chaussures de sécurité antidérapantes, des casques durs ou des protections antibruit utilisés dans des conditions appropriées réduiront les blessures corporelles.*
 - c) **Évitez les démarrages accidentels. Avant d'insérer la batterie dans l'outil, assurez-vous que son interrupteur est en position « OFF » (Arrêt) ou verrouillée.** *Le fait de transporter un outil avec le doigt sur la détente/l'interrupteur ou d'insérer la batterie dans un outil dont la détente est en position « ON » (Marche) peut causer un accident.*
 - d) **Retirez les clés de réglage avant de mettre l'outil sous tension.** *Une clé restée attachée à une partie mobile de l'outil pourrait entraîner des blessures corporelles.*
 - e) **Ne vous penchez pas trop en avant. Maintenez un**

bon appui et restez en équilibre en tout temps. *Une bonne stabilité vous permet de mieux réagir à une situation inattendue.*

- f) **Habilitez-vous convenablement. Ne portez ni vêtements flottants ni bijoux. Gardez les cheveux, les vêtements et les gants éloignés des pièces en mouvement.** *Les vêtements flottants, les bijoux ou les cheveux longs risquent d'être happés par des pièces en mouvement.*
- g) **Si un sac de récupération de la poussière est fourni avec un connecteur pour aspirateur, assurez-vous qu'il est correctement relié et utilisé de façon appropriée.** *L'utilisation de ce système réduit les dangers physiques et physiologiques liés à la poussière.*
- h) **Ne laissez pas les habitudes acquises par une utilisation fréquente d'outils relâcher votre vigilance et ignorer les principes de sécurité des outils.** *Une utilisation négligente peut causer des blessures graves en une fraction de seconde.*
- 4) **Utilisation et entretien de l'outil**
 - a) **Ne forcez pas l'outil. Utilisez l'outil approprié à la tâche.** *L'outil approprié fonctionne mieux et de façon plus sécuritaire. Respectez aussi la vitesse de travail qui lui est propre.*
 - b) **N'utilisez pas un outil si l'interrupteur ne le met pas en marche ou ne peut l'arrêter.** *Un outil qui ne peut être contrôlé par l'interrupteur est dangereux et doit être réparé.*
 - c) **Débranchez la batterie de l'outil ou mettez son interrupteur en position « OFF » (Arrêt) ou « LOCKED » (Verrouillé) avant d'effectuer un réglage, de changer d'accessoire ou de ranger l'outil.** *De telles mesures de sécurité préventive réduisent le risque de démarrage accidentel de l'outil.*
 - d) **Rangez les outils hors de portée des enfants et d'autres personnes inexpérimentées.** *Les outils sont dangereux dans les mains d'utilisateurs novices.*
 - e) **Prenez soin de bien entretenir les outils. Soyez attentif à tout désalignement ou coincement des pièces en mouvement, à tout bris ou à toute autre condition préjudiciable au bon fonctionnement de l'outil.** *Si vous constatez qu'un outil est endommagé, faites-le réparer avant de vous en servir. De nombreux accidents sont causés par des outils en mauvais état.*
 - f) **Les outils de coupe doivent être toujours bien affûtés et propres.** *Des outils bien entretenus, dont les arêtes sont bien tranchantes, sont moins susceptibles de se coincer et plus faciles à contrôler.*
 - g) **Utilisez l'outil électrique, les accessoires et les forêts etc., en conformité avec ces instructions et**

de la manière conçue pour le type particulier d'outil électrique, prend en compte les conditions de travail et le travail qui doit être accompli. *L'emploi de l'outil électrique pour des opérations différentes de celles pour lesquelles il a été conçu pourrait entraîner une situation dangereuse.*

- h) **Maintenez les poignées et les surfaces de prise sèches, propres et exemptes d'huile et de graisse.** *Des poignées et surfaces de prise glissantes ne permettent pas une manipulation et un contrôle sécurisés de l'outil dans des situations inattendues.*
- 5) **Utilisation de la batterie et entretien**
 - a) **Un outil à batterie avec batteries incorporées ou une batterie séparée doit être rechargé uniquement avec le chargeur indiqué pour la batterie.** *Un chargeur qui peut être adéquat pour un type de batterie peut créer un risque d'incendie lorsqu'il est utilisé avec une autre batterie.*
 - b) **Utiliser un outil à batterie uniquement avec la batterie désignée.** *L'emploi de toute autre batterie peut créer un risque d'incendie.*
 - c) **Lorsque la batterie n'est pas utilisée, tenez-la à l'écart d'autres objets métalliques tels que trombones, pièces de monnaie, clés, clous, vis ou autres petits objets métalliques susceptibles d'établir une connexion d'une borne à une autre.** *Le court-circuitage des bornes de batterie peut causer des étincelles, des brûlures, une explosion ou un incendie.*
 - d) **Dans le cadre de conditions d'abus, du fluide peut être éjecté de la batterie, évitez tout contact. Si un contact se produisait accidentellement, rincez abondamment avec de l'eau. Si le fluide touche les yeux, cherchez en plus de la mesure précédente de l'aide médicale.** *Le fluide éjecté de la batterie peut causer des irritations ou des brûlures.*
 - e) **N'utilisez pas une batterie ou un outil endommagé ou modifié.** *Les batteries endommagées ou modifiées peuvent avoir un comportement imprévisible entraînant un incendie, une explosion ou un risque de blessure.*
 - f) **N'exposez pas une batterie ou un outil au feu ou à une température excessive.** *Une exposition au feu ou à une température supérieure à 265 °F (130 °C) pourrait provoquer une explosion.*
 - g) **Respectez toutes les instructions de chargement et ne chargez pas la batterie ou l'outil en dehors de la plage de température spécifiée dans les instructions.** *Un chargement incorrect ou à des températures en dehors de la plage spécifiée peut endommager la batterie et augmenter le risque d'incendie.*

6) Entretien

- a) **Ayez votre outil électrique entretenu par un réparateur agréé n'utilisant que des pièces de rechange identiques.** *Cela assurera que la sécurité de l'outil électrique est maintenue.*
- b) **Ne jamais tenter de réparer des batteries endommagées.** *L'entretien et la réparation des batteries doit uniquement être effectué par le fabricant ou par des centres de services agréés.*

AVERTISSEMENTS DE SÉCURITÉ DE FORAGE

- 1) **Instructions de sécurité pour toutes opérations**
 - a) **Portez des protections auditives lorsque vous utilisez la perceuse à percussion.** *L'exposition au bruit peut entraîner une perte auditive.*
 - b) **Lors de l'exécution d'une opération au cours de laquelle l'outil de coupe peut venir en contact avec les fils cachés, tenez l'outil par ses surfaces isolées de préhension.** *Le contact avec un fil sous tension rendra les pièces métalliques exposées de l'outil sous tension et causera des chocs à l'opérateur.*
- 2) **Instructions de sécurité lorsque l'utilisation de forêts long**
 - a) **Ne jamais fonctionner à une vitesse supérieure à la vitesse maximale autorisée du forêt.** *À des vitesses plus élevées, le forêt risque de se plier s'il est autorisé à tourner librement sans toucher la pièce, entraînant des blessures corporelles.*
 - b) **Commencez toujours le forage à basse vitesse avec la pointe du trépan tout en contactant la pièce.** *À des vitesses plus élevées, le forêt risque de se plier s'il est autorisé à tourner librement sans toucher la pièce, entraînant des blessures corporelles.*
 - c) **Appliquez la pression uniquement en ligne directe avec le forêt et ne pas appliquer de pression excessive.** *Les forages peuvent se plier et provoquent une rupture ou une perte de contrôle, entraînant des blessures.*

CONSIGNES GÉNÉRALES DE SÉCURITÉ CONCERNANT LA BATTERIE

- a) **Ne pas démonter, ouvrir ou déchieter le bloc batterie.**
- b) **Ne pas exposer le bloc batterie à la chaleur ou au feu. Évitez de ranger la batterie dans un endroit exposé à la lumière directe du soleil.**

- c) **Ne pas court-circuiter une batterie. Ne stockez pas les blocs batterie en vrac dans une boîte ou un tiroir où ils peuvent se court-circuiter ou être court-circuités par d'autres objets métalliques.** *Lorsque le bloc batterie n'est pas utilisé, conservez-le loin d'autres objets métalliques, tels que des trombones, des pièces de monnaie, des clés, des clous, des vis ou d'autres objets métalliques de petite taille, qui pourraient établir une connexion d'un terminal à l'autre. Le fait de créer un court-circuit entre les bornes de la batterie peut causer des brûlures ou des incendies.*
- d) **Ne pas retirer la batterie de son emballage d'origine avant utilisation dans l'appareil.**
- e) **Ne pas soumettre la batterie à des chocs mécaniques.**
- f) **En cas de fuite de la batterie, ne pas laisser le liquide entrer en contact avec la peau ou les yeux.** *Si un contact a été effectué, laver la zone touchée avec beaucoup d'eau et consulter un médecin.*
- g) **Respecter les marques plus (+) et moins (-) sur le bloc batterie et sur l'appareil et veiller à bien le positionner.**
- h) **Ne pas utiliser de batterie qui n'a pas été conçue pour être utilisée avec cet appareil.**
- i) **Maintenez la batterie hors de portée des enfants.**
- j) **Consultez immédiatement un médecin si une cellule ou une batterie a été avalée.**
- k) **Achetez toujours une batterie recommandée par le fabricant de l'appareil.**
- l) **Conservez le bloc batterie propre et sec.**
- m) **Essayez les bornes de la batterie avec un chiffon propre et sec si elles deviennent sales.**
- n) **La batterie doit être chargée avant son utilisation.** *Utilisez toujours le chargeur adapté et reportez-vous aux instructions du fabricant ou au manuel de l'équipement pour suivre les instructions concernant la procédure de charge.*
- o) **Ne laissez pas le bloc batterie en charge prolongée lorsqu'il n'est pas utilisé.**
- p) **Après de longues périodes de stockage, il peut être nécessaire de charger et de décharger la batterie plusieurs fois pour obtenir des performances optimales.**
- q) **Rechargez le bloc batterie uniquement avec le chargeur spécifié par Cat®. N'utilisez pas un chargeur autre que celui spécifiquement conçu pour être utilisé avec l'équipement.**
- r) **Conservez la documentation originale du produit pour référence ultérieure.**
- s) **Utilisez uniquement la batterie dans l'application pour laquelle elle a été prévue.**
- t) **Retirez la batterie de l'équipement lorsqu'il n'est pas utilisé.**

- u) **Éliminez la batterie de façon adéquate.**
- v) **Ne pas mélanger des cellules de fabricants, de capacités, de tailles ou de type différents dans un appareil.**

SYMBOLES



Afin de réduire les risques de blessure, l'utilisateur doit lire ce mode d'emploi.



Avertissement



Portez une protection auditive



Portez un protecteur oculaire



Portez un masque anti-poussières



Batterie Li-Ion. Les batteries doivent être recyclées en collecte sélective.



Ne pas jeter au feu



Les batteries peuvent pénétrer dans le cycle de l'eau si recyclées de manière incorrecte, ce qui peut être dangereux pour l'écosystème. Ne pas jeter les batteries usées comme déchets municipaux non-triés.



call2recycle®

POSITEC Inc. a formé un partenariat avec RBRC Corporation pour le recyclage des batteries Positec portant le sceau RBRC-call2recycle. Pour la protection de l'environnement, veillez à ne pas jeter les batteries aux poubelles. À la fin du cycle de vie de la batterie, appelez 1-800-822-8837 pour un service gratuit qui mettra la batterie au rebut selon les règles de l'art.

DONNÉES TECHNIQUES

Type DX12 DX12B (12 - désignations de machines, représentatives du marteau)

		DX12	DX12B
Tension		18V \equiv	
Vitesse à vide		0-500 / 0-2,000 /min	
Fréquence de percussion		0-8,000 / 0-32,000 bpm	
Couple maximal		600 in. lbs. (65 N.m)	
Capacité du mandrin		1/2 in. (13 mm)	
Nombre de positions d'embrayage		22+1+1	
Capacité de perçage max	Acier	1/2 in. (13 mm)	
	Bois	1-5/8 in. (40 mm)	
	Béton	5/8 in. (16 mm)	
Capacité de la batterie (DXB2)		2.0 Ah	/
Entrée du chargeur (DXC4)		120V~60Hz, 95W	/
Sortie du chargeur (DXC4)		20V \equiv 4A	/
Classe de protection du chargeur		<input type="checkbox"/> /II	/
Poids de la machine		4.35 lbs (1.97 kg)	3.53 lbs (1.6 kg)

ACCESSOIRES

FR

	DX12	DX12B
Crochet de ceinture	1	1
Bloc-piles (DXB2)	2	/
Chargeur (DXC4)	1	/

Nous vous recommandons d'acheter tous vos accessoires du même magasin qui vous a vendu l'outil. Pour de plus amples renseignements, consultez l'emballage de l'accessoire. Le personnel du magasin peut également vous conseiller.

INSTRUCTIONS D'UTILISATION



REMARQUE: Avant d'utiliser cet outil, assurez-vous de lire attentivement le manuel d'utilisation.

UTILISATION PRÉVUE

La machine est prévue pour visser et dévisser des vis aussi bien que pour percer dans du bois, du métal, du plastique et de la maçonnerie.

AVANT LA MISE EN SERVICE

1. CHARGEZ VOTRE BATTERIE (VOIR FIG. A)

2. VÉRIFICATION DE L'ÉTAT DE LA BATTERIE

5 voyants LED indiquent l'état de la batterie. Avant de commencer ou après utilisation, appuyez sur le bouton à côté des voyants pour vérifier l'état de charge de la batterie.

ASSEMBLAGE

1. POUR RETIRER OU INSTALLER LA BATTERIE (VOIR FIG. B)

Appuyez sur le bouton de libération de la batterie pour libérer et faire glisser la batterie hors de votre outil. Après la recharge, faites-le glisser dans votre outil. Une simple poussée et une légère pression suffiront.

OPÉRATION

1. GÂCHETTE À VITESSE VARIABLE (VOIR FIG. C)

Appuyez sur la gâchette à vitesse variable pour démarrer et relâchez-la pour arrêter votre perceuse. La gâchette à vitesse variable est équipée d'une fonction de frein qui arrête votre mandrin immédiatement lorsque vous relâchez rapidement la gâchette.

C'est également un interrupteur à vitesse variable qui offre une vitesse et une force de torsion plus élevées avec une pression de déclenchement accrue. La vitesse est contrôlée par le niveau de dépression de la gâchette.



AVERTISSEMENT: Ne pas faire fonctionner pendant de longues périodes à faible vitesse car une chaleur excessive sera produite en interne.





AVERTISSEMENT: En cas de surcharge, relâchez immédiatement la gâchette à vitesse variable pour éviter la surchauffe du moteur.

2. VERROUILLAGE DE L'INTERRUPTEUR

La gâchette peut être verrouillée en position OFF. Cela aide à réduire la possibilité de démarrage accidentel lorsqu'il n'est pas utilisé. Pour verrouiller la gâchette, placez la direction de la commande de rotation en position centrale.

3. INTERRUPTEUR AVANT ET ARRIÈRE (VOIR FIG. C)

Rotation vers l'avant: Poussez et appuyez sur le «  » à l'arrière de la machine vers le front pour percer.

Rotation inverse: Poussez et appuyez sur le «  » sur le front de la machine vers l'arrière pour retirer les mèches.



AVERTISSEMENT: Ne changez jamais le sens de rotation lorsque l'outil tourne, attendez qu'il soit arrêté.

4. CONTRÔLE D'ENGRENAGES À DEUX VITESSES (VOIR FIG. D)

La perceuse a un contrôle de vitesse à deux niveaux conçue pour percer ou travailler à des vitesses LO (marquées par 1) ou HI (marquées par 2). Un interrupteur à glissière est situé sur le dessus de la perceuse pour sélectionner la vitesse LO ou HI. Lorsque vous utilisez la perceuse dans la plage de vitesse LO, la vitesse diminuera et la perceuse aura plus de puissance et une force de torsion supérieure. Lorsque vous utilisez la perceuse dans la plage de vitesse HI, la vitesse augmentera et la perceuse aura moins de puissance et une force de torsion inférieure.

Niveau I

Gamme vitesse basse: pour visser ou travailler avec un perçage de grand diamètre

Niveau II

Gamme vitesse élevée: pour travailler avec un perçage de petit diamètre



AVERTISSEMENT: Pour éviter d'endommager les engrenages, laissez toujours le mandrin s'arrêter complètement avant de changer le sens de rotation ou la vitesse.





AVERTISSEMENT: En cas de surcharge se présente fréquemment sur les pièces en haute vitesse, passez à basse vitesse pour éviter la surchauffe du moteur.

5. RÉGLAGE DU MANDRIN (VOIR FIG. E)

Pour ouvrir les mâchoires du mandrin, faites pivoter la partie du front du mandrin. Insérez le foret entre les mâchoires du mandrin et faites pivoter la section du front dans le sens opposé. Assurez-vous que le foret est au centre des mâchoires du mandrin. Enfin, tournez fermement la section du mandrin du front dans les directions opposées. Votre foret est maintenant serré dans le mandrin.

6. RÉGLAGE DE LA FORCE DE TORSION (VOIR FIG. F)

La force de torsion peut être ajustée en tournant la bague de réglage. La force de torsion est plus grande lorsque la bague de réglage est réglée sur une position qui correspond à une force supérieure. La force de torsion est moindre lorsque la bague de réglage est réglée sur une position qui correspond à une force inférieure. Effectuez le réglage comme suit :

1 - 4	pour enfoncer de petites vis
5 - 9	pour enfoncer des vis dans un matériau souple
10 - 14	pour enfoncer des vis dans des matériaux souples et durs
15 - 21	pour le vissage dans le bois dur.
22	pour le vissage de plus grosses vis.
	pour le perçage lourd
	pour le forage en maçonnerie et en béton

7. VERROUILLAGE AUTOMATIQUE DE LA BROCHE

Le verrouillage automatique de la broche vous permet de l'utiliser comme un tournevis ordinaire. Vous pouvez donner une force de torsion supplémentaire pour serrer fermement une vis, desserrer une vis très serrée ou continuer à travailler lorsque la batterie est épuisée. Pour l'utilisation manuelle de tournevis, le mandrin est automatiquement verrouillé lorsque l'outil est éteint.

8. UTILISEZ LE VOYANT LED

Pour activer la lumière appuyez simplement sur la gâchette à vitesse variable. Lorsque vous relâchez la gâchette à vitesse variable, la lumière s'éteint. Éclairage LED augmente la visibilité - idéal pour la zone sombre ou fermée La LED est également un indicateur de capacité de batterie. Il clignote lorsque la puissance diminue.

9. CROCHET DE CEINTURE

Vissez le crochet de ceinture sur l'outil avec la vis. Le crochet de ceinture peut être accroché à votre ceinture ou à votre poche, etc.


10. FORAGE

Lorsque vous percez sur une surface dure et lisse, utilisez un poinçon central pour marquer l'emplacement du trou souhaité. Cela empêchera le foret de glisser hors du centre lors du démarrage du travail. Tenez fermement l'outil et placez la pointe du foret à la position à percer. Appuyez sur la gâchette de l'interrupteur pour démarrer l'outil. Déplacez le foret dans la pièce à travailler, en appliquant uniquement une pression suffisante pour maintenir la machine de manière à ce que l'embout

puisse travailler. Ne forcez pas et n'appliquez pas de pression latérale pour approfondir un trou.

Si vous souhaitez activer le mode perceuse (Pour percer dans du métal, du bois, du plastique ou de la maçonnerie), tournez la bague de réglage du couple sur le mode perceuse.

Si vous souhaitez activer le mode percussion (pour le perçage dans la maçonnerie et le béton), tournez la bague de réglage du couple sur le mode percussion.

 **AVERTISSEMENT:** Lors du perçage dans le métal, utilisez uniquement des forets HSS en bon état. Utilisez toujours un porte-embout magnétique (non inclus) lorsque vous utilisez des embouts de tournevis courts. Lors du vissage, appliquez une petite quantité de savon liquide ou produit similaire aux filetages pour faciliter l'insertion.

11. PROTECTION DE SURCHARGE

En cas de surcharge, le moteur s'arrête. Relâchez immédiatement la charge de la machine et laissez refroidir pendant env. 30 secondes à la vitesse à vide la plus élevée.

12. PROTECTION CONTRE LES SURCHARGES DÉPENDANT DE LA TEMPÉRATURE

Lorsqu'il est utilisé comme prévu, l'outil électrique ne peut pas être soumis à une surcharge. Lorsque la charge est trop élevée ou que la température admissible de la batterie de 167°F (75°C) est dépassée, la commande électronique arrête l'outil électrique jusqu'à ce que la température soit à nouveau dans la plage de température optimale.

13. PROTECTION CONTRE LES DÉCHARGES PROFONDES

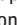

La batterie Li-ion est protégée contre les décharges profondes par le «système de protection contre la décharge». Lorsque la batterie est complètement déchargée, la machine est arrêtée par un circuit de protection: L'outil inséré ne tourne plus.

PROBLÈMES ET SOLUTIONS

1. POURQUOI EST-CE QUE LA MACHINE NE DÉMARRE PAS LORSQUE J'APPUIE SUR LA GÂCHETTE ?

Le commutateur avant / arrière, qui se trouve au-dessus de la gâchette, est positionné dans la fonction de verrouillage. Déverrouillez l'interrupteur avant/arrière en le plaçant dans la position de rotation requise. Appuyez sur la gâchette et la perceuse commencera à tourner.

2. LA PERCEUSE S'ARRÊTE AVANT QUE LA VIS SOIT COMPLÈTEMENT SERRÉE. POURQUOI ?

Vérifiez la position du couple sur la bague de réglage du couple, vous pouvez trouver la bague de réglage du couple entre le mandrin et le corps du foret. La position 1 est le couple le plus faible (force d'entraînement des vis) et la position 22 est le couple le plus élevé (force d'entraînement des vis). La position  est pour l'opération de forage. La position  est pour le fonctionnement du marteau perforateur. Réglez la bague de réglage du couple à une position plus élevée pour obtenir le meilleur résultat.

3. QUELLES SONT LES RAISONS DE LA DIFFÉRENCE D'AUTONOMIE DES BLOCS-PILES.

Des situations de charge comme celles mentionnées ci-haut et de stockage prolongé peuvent réduire l'autonomie et la durée de vie du bloc-pile. Ceci peut être corrigé après plusieurs cycles de charges et de décharges. Des conditions de travail sévères, par exemple de vissage de grosses vis dans du bois dur, déchargeront plus rapidement le bloc-pile que des conditions moins sévères. Ne rechargez pas votre pile en dessous de 32°F (0°C) ni au-dessus de 104°F (40°C) car ceci affectera ses performances.

ENTRETIEN

Retirer le bloc-piles de l'outil avant d'effectuer tout ajustement, entretien ou maintenance.

Votre outil ne nécessite aucune lubrification ou entretien supplémentaire. Il ne comporte aucune pièce à réparer ou à entretenir par l'utilisateur. N'utilisez jamais de l'eau ou des nettoyeurs chimiques pour nettoyer l'outil. Essuyez-le avec un chiffon sec. Rangez toujours votre outil dans un endroit sec. Gardez propres les ouvertures de ventilation du moteur. Si vous remarquez des étincelles dans les ouvertures de ventilation, ceci est normal et n'endommagera pas votre outil.

POUR LES OUTILS DE LA BATTERIE

La plage de température ambiante pour l'utilisation et le stockage de l'outil et de la batterie est 32 à 113°F (0°C à 45°C).


La plage de température ambiante recommandée pour le système de charge pendant la charge est de 32 à 104°F (0°C à 40°C).

LISTA DE COMPONENTES

1. MANDRIL SIN LLAVE
2. EMBRAGUE AJUSTABLE
3. CONTROL DE VELOCIDAD ALTA/BAJA
4. INTERRUPTOR DE AVANCE Y RETROCESO
5. DISPARADOR DE VELOCIDAD VARIABLE
6. PINZA DEL CINTURÓN
7. PAQUETE DE BATERÍAS*
8. LENGÜETAS DE LIBERACIÓN DE LAS BATERÍAS*
9. LUZ DE VISTA


* No todos los accesorios ilustrados o descritos se incluyen junto con el producto estándar.

SEGURIDAD DEL PRODUCTO


 **ADVERTENCIA:** El polvo originado por la utilización de herramientas motorizadas contiene químicos que, según el Estado de California, causan cáncer, defectos congénitos y otros daños reproductivos. Algunos ejemplos de esos productos químicos son:

- El plomo de las pinturas a base de plomo;
- La sílice cristalina de los ladrillos, del cemento y de otros productos de albañilería;
- El arsénico y el cromo de la madera tratada químicamente.

El riesgo que se corre a causa del contacto con esos productos varía según la frecuencia con que usted realice este tipo de trabajos. Con el fin de reducir su exposición a esas sustancias químicas: trabaje en un área bien ventilada; utilice un equipo de seguridad adecuado, tal como una máscara contra el polvo especialmente diseñada para filtrar partículas microscópicas.

 **ADVERTENCIA:** Este producto puede exponerlo a sustancias químicas, como plomo y di (2-etilhexilo) ftalato (DEHP), que el estado de California reconoce como causantes de cáncer y defectos de nacimiento u otros daños reproductivos. Para más información visite www.P65Warnings.ca.gov.

ADVERTENCIAS DE SEGURIDAD GENERALES PARA LA HERRAMIENTA MOTORIZADA

 **ADVERTENCIA!** Lea y comprenda todas las instrucciones. El no seguir todas las instrucciones a continuación puede ocasionar descargas eléctricas, incendios y/o heridas graves.

Conserve todas las advertencias e instrucciones para consulta futura.

El término “herramienta eléctrica” que figura en todas las advertencias que aparecen a continuación hace referencia a la herramienta que funciona con la red de suministro eléctrico (con cable) o a la herramienta eléctrica accionada a baterías (sin cable).

1) Área de trabajo

- a) Mantenga su lugar de trabajo limpio y bien iluminado. Bancos de trabajo desordenados y lugares oscuros invitan a los accidentes.
- b) No utilice herramientas eléctricas en atmósferas explosivas, como por ejemplo en presencia de líquidos, inflamables, gases o polvo. Las herramientas eléctricas crean chispas que pueden encender el polvo o los vapores.
- c) Mantenga a los espectadores, niños y visitantes a una distancia prudente cuando esté utilizando una herramienta eléctrica. Las distracciones pueden hacerle perder el control.

2) Seguridad eléctrica

- a) Los enchufes de las herramientas eléctricas deben coincidir con el tomacorriente. No modifique de algún modo el enchufe. No utilice enchufes adaptadores con herramientas eléctricas conectadas a tierra. Si no se modifican los enchufes y se utilizan los tomacorrientes adecuados, se reducirá el riesgo de una descarga eléctrica.
- b) Evite el contacto del cuerpo con las superficies conectadas a tierra tales como tuberías, radiadores, estufas de cocina y refrigeradores. Existe mayor riesgo de que se produzcan descargas eléctricas si su cuerpo está conectado a tierra.
- c) No exponga las herramientas eléctricas a la lluvia ni a los ambientes húmedos. La entrada de agua en

una herramienta eléctrica aumenta el riesgo de que se produzcan descargas eléctricas.

- d) **No abuse del cable. Nunca use el cable para transportar las herramientas ni para sacar el enchufe de un tomacorriente. Mantenga el cable alejado del calor, el aceite, los bordes afilados o las piezas móviles. Los cables dañados aumentan el riesgo de que se produzcan descargas eléctricas.**
- e) **Cuando opere una herramienta eléctrica en exteriores, use un cable de extensión adecuado para uso en exteriores. El uso de un cable adecuado para uso en exteriores reduce el riesgo de descargas eléctricas.**
- f) **Si operar una herramienta eléctrica en un lugar húmedo es inevitable, use un elemento protegido del dispositivo de corriente residual (RCD). El uso de un RCD reduce el riesgo de descargas eléctricas.**

3) Seguridad personal

- a) **Manténgase alerta, fíjese en lo que está haciendo y use el sentido común cuando utilice una herramienta eléctrica. No use la herramienta cuando esté cansado o se encuentre bajo la influencia de drogas, alcohol o medicamentos. Un momento de distracción al utilizar herramientas eléctricas puede dar lugar a lesiones personales graves.**
- b) **Utilice equipo de seguridad. Use siempre protección ocular. La utilización del equipo de seguridad como máscara antipolvo, zapatos de seguridad antideslizantes, casco o protección auditiva para condiciones adecuadas reducirá el riesgo de lesiones personales.**
- c) **Evite el arranque accidental. Asegúrese de que el interruptor esté en la posición de trabado o de apagado antes de instalar el paquete de baterías. Transportar herramientas con el dedo en el interruptor o instalar el paquete de batería cuando el interruptor está encendido invitan a los accidentes.**
- d) **Retire las llaves o claves de ajuste antes de encender la herramienta. Una llave o clave de ajuste dejada en una parte giratoria de la herramienta puede causar una lesión personal.**
- e) **No intente alcanzar demasiado lejos. Mantenga un apoyo de los pies y un equilibrio adecuados en todo momento. El apoyo de los pies y el equilibrio adecuados permiten un mejor control de la herramienta en situaciones inesperadas.**
- f) **Vístase apropiadamente. No se ponga ropa holgada ni joyas. Mantenga su cabello, ropa y guantes alejados de las piezas móviles. La ropa holgada, las joyas o el pelo largo pueden quedar atrapados en las piezas móviles.**

- g) **Si se proporcionan dispositivos para la extracción y recolección de polvo, asegúrese que estos estén conectados y utilizados correctamente. El uso de estos dispositivos puede reducir peligros relacionados con el polvo.**
- h) **No permita que la familiaridad obtenida a partir del uso frecuente de otras herramientas le permita volverse complaciente e ignorar los principios de seguridad de la herramienta. Una acción descuidada puede causar lesiones severas en una fracción de segundo.**

4) Uso y cuidado de la herramienta

- a) **No fuerce la herramienta. Emplee la herramienta correcta para la aplicación que desea. La herramienta correcta hará el trabajo mejor y con más seguridad a la capacidad nominal para la que está diseñada.**
- b) **No utilice la herramienta si el interruptor no la enciende o apaga. Toda herramienta que no se pueda controlar con el interruptor es peligrosa y debe ser reparada.**
- c) **Desconecte la batería de la herramienta o ponga el interruptor en la posición de trabado o de apagado antes de hacer cualquier ajuste, cambio de accesorios o guardar la herramienta. Estas medidas de seguridad preventivas reducen el riesgo de encender la herramienta accidentalmente.**
- d) **Guarde las herramientas que no esté usando fuera del alcance de los niños y otras personas no capacitadas. Las herramientas son peligrosas en las manos de los usuarios no capacitados.**
- e) **Mantenga las herramientas con cuidado. Compruebe la desalineación o el atasco de las piezas móviles, la ruptura de piezas y cualquier otra situación que pueda afectar el funcionamiento de las herramientas. Si la herramienta está dañada, hágala arreglar antes de usarla. Muchos accidentes son causados por herramientas mantenidas deficientemente.**
- f) **Conserve las herramientas de corte afiladas y limpias. Las herramientas mantenidas adecuadamente, con bordes de corte afilados, tienen menos probabilidades de atascarse y son más fáciles de controlar.**
- g) **Utilice la herramienta eléctrica, accesorios, brocas de la herramienta, etc. de acuerdo con estas instrucciones y de la manera adecuada para el tipo de herramienta eléctrica, teniendo en cuenta las condiciones de trabajo y el trabajo que se realizará. La utilización de la herramienta eléctrica para operaciones diferentes de aquellas para las que se encuentra diseñada podría dar lugar a una situación peligrosa.**

h) **Mantenga las manijas y las superficies de sujeción secas, limpias y libres de aceite y grasa.** Las manijas y superficies de sujeción resbaladizas no permiten el manejo y control seguros de la herramienta en situaciones inesperadas.

5) **Utilización y cuidado de la herramienta accionada a baterías**

a) **Una herramienta accionada a baterías que tenga baterías integradas o un paquete de baterías separado se debe recargar solamente con el cargador especificado para la batería.** *Un cargador que puede ser adecuado para un tipo de batería puede crear un peligro de incendio cuando se usa con otra batería.*

b) **Utilice la herramienta accionada a baterías solamente con el paquete de baterías designado específicamente.** *El uso de cualquier otra batería puede crear un peligro de incendio.*

c) **Cuando el paquete de baterías no se usa, manténgalo alejado de otros objetos metálicos como: sujetapapeles, monedas, clavos, tornillos u otros pequeños objetos de metal capaces de hacer una conexión entre los terminales.** *El cortocircuito de los terminales de una batería puede causar chispas, quemaduras o incendio.*

d) **Bajo condiciones abusivas, la batería puede expulsar líquido; evite el contacto. Si ocurre un contacto accidental, enjuagar con agua. Si el líquido entra en contacto con los ojos, busque ayuda médica.** *El líquido expulsado por la batería puede causar irritación o quemaduras.*

e) **No use un paquete de batería o una herramienta que esté dañada o modificada.** *Las baterías dañadas o modificadas pueden presentar un comportamiento imprevisto que resulte en incendios, explosión o riesgo de lesiones.*

f) **No exponga un paquete de batería o herramienta a fuego o temperatura excesiva.** *La exposición a fuego o temperatura mayor a 265°F (130 °C) pueden causar una explosión.*

g) **Siga todas las instrucciones de carga y no cargue el paquete de batería o la herramienta fuera del rango de temperatura especificado en las instrucciones.** *Cargar inadecuadamente o en temperaturas fuera del rango especificado pueden dañar la batería e incrementar el riesgo de incendio.*

6) **Reparación**

a) **La herramienta debe ser reparada por una persona calificada de servicio técnico y se deben utilizar partes de reemplazo idénticas.** *Esto asegurará el mantenimiento de la seguridad de la herramienta eléctrica.*

b) **Nunca dé servicio a paquetes de batería dañados.** *El servicio de paquetes de batería sólo debe ser realizado por el fabricante o proveedores de servicio autorizados.*

ADVERTENCIAS DE SEGURIDAD PARA LA PERFORACIÓN

1) **Instrucciones de seguridad para todas las operaciones**

a) **Use protección auditiva al utilizar el taladro de impacto.** *La exposición al ruido puede causar la pérdida de la audición.*

b) **Sujete la herramienta por las áreas de agarre aisladas cuando realice una operación en la que la herramienta de corte pueda entrar en contacto con cables ocultos o con su propio cable.** *El contacto con un cable que tenga corriente hará que ésta pase a las partes metálicas descubiertas de la herramienta y que el operador reciba descargas eléctricas.*

2) **Instrucciones de seguridad al usar brocas largas.**

a) **Nunca opere a una velocidad mayor que la capacidad máxima de velocidad de la broca.** *A velocidades más altas, es probable que la broca se doble si se permite que gire libremente sin tocar la pieza de trabajo, lo que ocasiona lesiones personales.*

b) **Siempre comience a perforar a baja velocidad y con la punta de la broca en contacto con la pieza de trabajo.** *A velocidades más altas, es probable que la broca se doble si se permite que gire libremente sin tocar la pieza de trabajo, lo que ocasiona lesiones personales.*

c) **Aplique presión solo en línea directa con la broca y no aplique presión excesiva.** *Los bits pueden doblarse causando rotura o pérdida de control, lo que resulta en lesiones personales.*

ADVERTENCIAS GENERALES DE SEGURIDAD PARA LA BATERÍA

a) **No desensamble, abra o triture el paquete de batería.**

b) **No exponga el paquete de batería a calor o fuego.** **Evite guardar a la luz directa del sol.**

c) **No ponga en corto circuito el paquete de batería.** **No guarde el paquete de batería de forma aleatoria en una caja o cajón donde puedan ponerse en corto circuito entre sí o ponerse en corto circuito por otros objetos metálicos.** *Cuando el paquete*

de batería no esté en uso, manténgalo alejado de otros objetos metálicos, como sujetadores de papel, monedas, llaves, clavos, tornillos u otros objetos metálicos pequeños que puedan establecer una conexión de una terminal a otra. El corto circuito de las terminales de la batería puede causar quemaduras o incendios.

- d) **No retire el paquete de la batería de su empaque original hasta que se requiera para el uso.**
- e) **No someta el paquete de batería a impacto mecánico.**
- f) **En el caso de fuga de la batería, no permita que el líquido entre en contacto con la piel o los ojos. Si hay contacto, lave el área afectada con bastante agua y busque atención médica.**
- g) **Observe las marcas positiva (+) y negativa (-) en la parte posterior de la batería y el equipo para asegurar su uso correcto.**
- h) **No use ningún paquete de batería que no esté diseñado para uso con el equipo.**
- i) **Mantenga el paquete de batería fuera del alcance de los niños.**
- j) **Busque atención médica de inmediato si se ingiere una celda o una batería.**
- k) **Siempre adquiera el paquete de batería recomendado por el fabricante del dispositivo para el equipo.**
- l) **Mantenga el paquete de batería limpio y seco.**
- m) **Limpie las terminales del paquete de batería con una tela seca limpia su se ensucian.**
- n) **El paquete de batería se necesita cargar antes del uso. Siempre use el cargador correcto y consulte las instrucciones del fabricante o el manual del equipo para saber las instrucciones correctas de carga.**
- o) **No deje el paquete de batería en carga prolongada cuando no esté en uso.**
- p) **Después de periodos prolongados de almacenamiento, puede ser necesario cargar y descargar el paquete de batería varias veces para obtener el desempeño máximo.**
- q) **Recargue únicamente con el cargador especificado por Cat[®]. No use cargadores que no sean los específicamente suministrados para uso con el equipo.**
- r) **Conserve la literatura el producto original para referencia futura.**
- s) **Sólo use el paquete de batería en la aplicación para la que está diseñado.**
- t) **Retire el paquete de batería del equipo cuando no esté en uso.**
- u) **Deséchelo adecuadamente.**
- v) **No mezcle celdas de diferente fabricación, capacidad, tamaño o tipo dentro del dispositivo.**

SÍMBOLOS



Para reducir el riesgo de lesiones, el usuario deberá leer el manual de instrucciones.



Advertencia



Use lentes de seguridad



Use protección auditiva



Use máscara contra el polvo



Li-Ion

Batería de iones de litio. La batería deberá reciclarse.



No arrojar al fuego



Las baterías pueden entrar al ciclo de agua si se desechan incorrectamente, lo que puede ser peligroso para el ecosistema. No deseche las baterías de desperdicio como desperdicio municipal sin clasificar.



call2recycle[®]

POSITEC Inc. ha establecido una asociación con la empresa RBRC para el reciclaje de todas las baterías Positec que posean el sello RBRC-call2recycle. Para contribuir con la protección del medio ambiente, no deseche las baterías como residuos normales. Después de que haya finalizado el ciclo de vida útil de la batería, comuníquese al 1-800-822-8837 para acceder al servicio gratuito.

DATOS TÉCNICOS

Tipo DX12 DX12B (12 - nombre de mecánico, representante de taladro)

		DX12	DX12B
Voltaje		18V \equiv	
Velocidad sin carga		0-500 / 0-2,000 /min	
Índice de percusión		0-8,000 / 0-32,000 bpm	
Torque máximo		600 in. lbs. (65 N.m)	
Capacidad del portabrocas		1/2 in. (13 mm)	
Posiciones de torque		22+1+1	
Máx. capacidad de perforación	Acero	1/2 in. (13 mm)	
	Madera	1-5/8 in. (40 mm)	
	Hormigón	5/8 in. (16 mm)	
Capacidad de batería (DXB2)		2.0 Ah	/
Entrada del cargador (DXC4)		120V~60Hz, 95W	/
Salida del cargador (DXC4)		20V \equiv 4A	/
Clase de protección del cargador		<input type="checkbox"/> /II	/
Peso de la máquina		4.35 lbs (1.97 kg)	3.53 lbs (1.6 kg)

ACCESORIOS

ES

	DX12	DX12B
Pinza del cinturón	1	1
Paquete De Baterías (DXB2)	2	/
Cargador (DXC4)	1	/

Le recomendamos que compre sus accesorios en la misma tienda que le vendió la herramienta. Consulte el empaque de los accesorios para obtener más detalles. El personal de la tienda también puede ayudarle y aconsejarle.

INSTRUCCIONES DE USO



NOTA: Antes de usar la herramienta, lea atentamente el manual de instrucciones.

POSIBLE USO

La máquina está diseñada para clavar y aflojar los tornillos así como perforar madera, metal, plástico y mampostería.

ANTES DE PONERLO EN FUNCIONAMIENTO

1. CARGUE SU PACK DE BATERÍAS (VER FIG. A)

2. COMPROBACIÓN DE LA CONDICIÓN ENERGÉTICA DE LA BATERÍA

Las 5 luces LED muestran el estado de la batería. Antes de comenzar i después de usar, pulse el botón junto a las luces para comprobar el estado de carga de la batería.

ENSAMBLAJE

1. PARA RETIRAR O INSTALAR EL PACK DE BATERÍAS (VER FIG. B)

Presione el botón de liberación de la batería para liberarlo y deslice la batería fuera de su herramienta. Después de recargarlo, deslícelo nuevamente dentro de su herramienta. Simplemente presione suavemente y aplique una ligera presión antes de escuchar el clic.

OPERACIÓN

1. DISPARADOR DE VELOCIDAD VARIABLE (VER FIG. C)

Baje el disparador de velocidad variable para iniciar o libérela para detener su perforación. El disparador de velocidad variable está fabricado con una función de freno que hace que se detenga cuando rápidamente libere el disparador.

También es un interruptor de velocidad variable que ofrece mayor velocidad y par con mayor presión de maniobra. La velocidad es controlada por la cantidad de depresión del gatillo interruptor.



ADVERTENCIA: No opere durante largos períodos a baja velocidad porque puede sobrecalentar internamente el aparato.



ADVERTENCIA: Cuando una sobrecarga ocurra, libere el disparador de velocidad variable inmediatamente para evitar que el motor se sobrecaliente.

2. INTERRUPTOR DE BLOQUEO

El gatillo del interruptor se puede bloquear en la posición OFF. Esto ayuda a reducir la posibilidad de un arranque accidental cuando no esté en uso. Para bloquear el gatillo del interruptor, coloque el control de rotación en la posición central.

3. INTERRUPTOR DE AVANCE Y RETROCESO (VER FIG. C)

Rotación hacia adelante: Empuje y presione el "◀◀" desde la parte posterior del cuerpo hacia la parte frontal del cuerpo para perforar.

Rotación inversa: Empuje y presione el "▶▶" desde la parte frontal del cuerpo hacia la parte posterior del cuerpo para retirar las brocas.



ADVERTENCIA: Nunca cambie la dirección de rotación mientras la herramienta está girando, espere hasta que se haya detenido.

4. CONTROL DE ENGRANAJES DE DOS VELOCIDADES (VER FIG. D)

El taladro tiene un control de engranaje de dos velocidades diseñado para perforar o conducir a velocidades en LO (la marca es 1) o HI (la marca es 2). Un interruptor deslizante se encuentra en la parte superior del taladro para seleccionar la velocidad BAJA o ALTA. Cuando use el taladro en el rango de velocidad en LO, la velocidad disminuirá y el taladro tendrá mayor potencia y torsión. Al usar el taladro en el rango de velocidad en HI, la velocidad aumentará y el taladro tendrá menos potencia y torsión.

Engranaje I

Rango de baja velocidad: para atornillar o trabajar con un gran diámetro de perforación

Engranaje II

Rango de alta velocidad: para trabajar con diámetros de perforación pequeños



ADVERTENCIA: Para evitar daños al engranaje, siempre permita que el mandril se detenga por completamente antes de cambiar la dirección de rotación o el control del engranaje de dos velocidades.





ADVERTENCIA: Cuando se produce una sobrecarga frecuente en el engranaje de alta velocidad, cambie al engranaje de baja velocidad para evitar el sobrecalentamiento del motor.

5. AJUSTE DE LAS BROCAS (VER FIG. E)

Para abrir las mordazas del portabrocas, gire la sección frontal del portabrocas. Inserte la broca entre las mordazas del portabrocas y gire la sección frontal en la dirección opuesta. Asegúrese de que la broca esté en el centro de las mordazas del portabrocas. Finalmente, gire firmemente la sección del mandril delantero en las direcciones opuestas. Su broca ahora está fijada en el portabrocas.

6. AJUSTE DE LA TORSIÓN (VER FIG. F)

La torsión se ajusta girando el anillo de ajuste. La torsión es mayor cuando el anillo de ajuste se establece en una configuración más alta. La torsión es menor cuando el anillo de ajuste se establece en un ajuste más bajo. Realice la configuración de la siguiente manera:

1 - 4	para atornillar tornillos pequeños
5 - 9	para atornillar tornillos en material blando
10 - 14	para atornillar tornillos en material blando y duro
15 - 21	para atornillar tornillos en madera dura
22	para atornillar tornillos más grandes
	para taladrado pesado
	para taladrar en mampostería y hormigón

7. BLOQUEO AUTOMÁTICO DEL HUSILLO

El bloqueo automático del husillo le permite usarlo como un destornillador normal. Puede darle un giro adicional para apretar firmemente un tornillo, aflojar un tornillo muy apretado o continuar trabajando cuando la energía de la batería haya expirado. Para usarse como un destornillador manual, el portabrocas se bloquea automáticamente cuando la herramienta está apagada.

8. UTILIZANDO LA LUZ LED

Para encender la luz simplemente presione el disparador de velocidad variable. Cuando libere el disparador de velocidad variable, la luz se apagará.

La iluminación LED aumenta la visibilidad, ideal para áreas oscuras o cerradas. La luz LED también es un indicador de capacidad de la batería. Parpadeará cuando haya poca energía.

9. PINZA DEL CINTURÓN

Atornille el clip del cinturón en la herramienta con el tornillo. El clip para el cinturón se puede enganchar en su cinturón o bolsillo, etc.

10. PERFORACIÓN

Al perforar en una superficie dura y lisa, use un punzón central para marcar la ubicación deseada del agujero. Esto evitará que la broca se salga del centro al comenzar la perforación. Sujete la herramienta firmemente y coloque la punta de la broca en el punto a perforar. Presione el gatillo interruptor para iniciar la herramienta. Mueva la broca dentro de la pieza de trabajo, aplicando solo la presión suficiente para mantener la broca trabajando. No fuerce ni aplique presión lateral para alargar el agujero.

Si desea activar la función de taladro (para perforar metal, madera o plástico), gire el anillo de ajuste de

torque a la posición de taladro.

Si desea activar la función de impacto (Para perforar metal, madera, plástico o mampostería), gire el anillo de ajuste de torque a la posición de martillo.



ADVERTENCIA: Cuando taladre en metal, solo use brocas HSS en buenas condiciones.

Siempre use un soporte de broca magnética (no incluido) cuando use brocas de destornillador cortas. Al atornillar, aplique una pequeña cantidad de jabón líquido o similar a las roscas de los tornillos para facilitar la inserción.

11. PROTECCIÓN CONTRA SOBRECARGAS

Cuando esté sobrecargado, el motor se detiene. Alivie la carga de la máquina inmediatamente y permita la refrigeración durante aproximadamente 30 segundos a la velocidad de carga más alta.

12. PROTECCIÓN DE SOBRECARGA ACORDE A LA TEMPERATURA

Cuando se utiliza la herramienta de manera intencionada no puede producirse una sobrecarga. Cuando la carga es demasiado alta o se supera la temperatura permitida de la batería de 167°F (75°C), el control electrónico apaga la herramienta eléctrica hasta que la temperatura vuelva a estar en el rango de temperatura óptimo.

13. PROTECCIÓN CONTRA DESCARGAS PROFUNDAS



La batería de iones de litio está protegida contra descargas profundas mediante el "Sistema de protección de descarga". Cuando la batería está agotada, la máquina se apaga mediante un circuito de protección: La herramienta insertada ya no gira.

RESOLUCIÓN DE PROBLEMAS

1. ¿POR QUÉ EL TALADRO NO SE ENCIENDE AL PRESIONAR EL GATILLO?

El interruptor de avance/retroceso, que está en la parte superior del disparador, está puesto en la función de bloqueo. Desbloquee el interruptor de avance/retroceso al ponerlo en la posición de rotación requerido. Presione el disparador y la broca comenzará a rotar.

2. EL TALADRO SE DETIENE ANTES DE QUE EL TORNILLO SE APRIETE COMPLETAMENTE. POR QUÉ?

Verifique la posición torisional del anillo de ajuste de la torsión, puede encontrar el anillo de ajuste de la torsión entre el portabrocas y el cuerpo de la broca. La posición 1 es la torsión más baja (fuerza de atornillado) y la posición 22 es la torsión más alto (fuerza de atornillado). La posición  es para la operación de perforación. La posición  es para la operación de perforación con martillo. Regule el anillo de ajuste de la torsión a una posición más alta para alcanzar mejores resultados.

3. RAZONES DE LOS DISTINTOS TIEMPOS DE FUNCIONAMIENTO DEL PACK DE BATERÍA.

Los problemas de tiempo de carga, como se señaló arriba, y el hecho de no haber usado la batería por un largo tiempo reducen el rendimiento del paquete de batería. Esto puede remediarse luego de varios ciclos de carga/descarga, utilizando su taladro. Condiciones severas de trabajo, como por ejemplo tornillos grandes en madera dura, agotarán más rápido la energía de la batería que si se trabajara en condiciones más suaves. No recargue su paquete de batería por debajo de 32°F (0°C) ni por encima de 104°F (40°C), ya que esto afectará el rendimiento.

MANTENIMIENTO

Retire el Paquete de la batería de la herramienta antes de realizar cualquier ajuste, servicio o mantenimiento.

Su herramienta no requiere lubricación ni mantenimiento adicional.

No posee piezas en su interior que puedan ser reparadas por el usuario. Nunca emplee agua o productos químicos para limpiar su herramienta. Use simplemente un paño seco. Guarde siempre su herramienta en un lugar seco. Mantenga limpias las ranuras de ventilación del motor. La observación de chispas que destellan bajo las ranuras de ventilación, indica operación normal que no dañará su herramienta.

PARA HERRAMIENTAS DE BATERÍA

El rango de temperatura ambiente para uso y almacenamiento de la herramienta y la batería es de 32-113°F (0°C-45°C).

El rango de temperatura ambiente recomendado para el sistema de carga durante la carga es de 32-104°F (0°C-40°C).

CAT[®]



www.catpowertools.com



©2021 Caterpillar. CAT, CATERPILLAR, their respective logos, "Caterpillar Yellow," the "Power Edge" trade dress as well as corporate and product identity used herein, are trademarks of Caterpillar and may not be used without permission. Positec Group Limited, a licensee of Caterpillar Inc