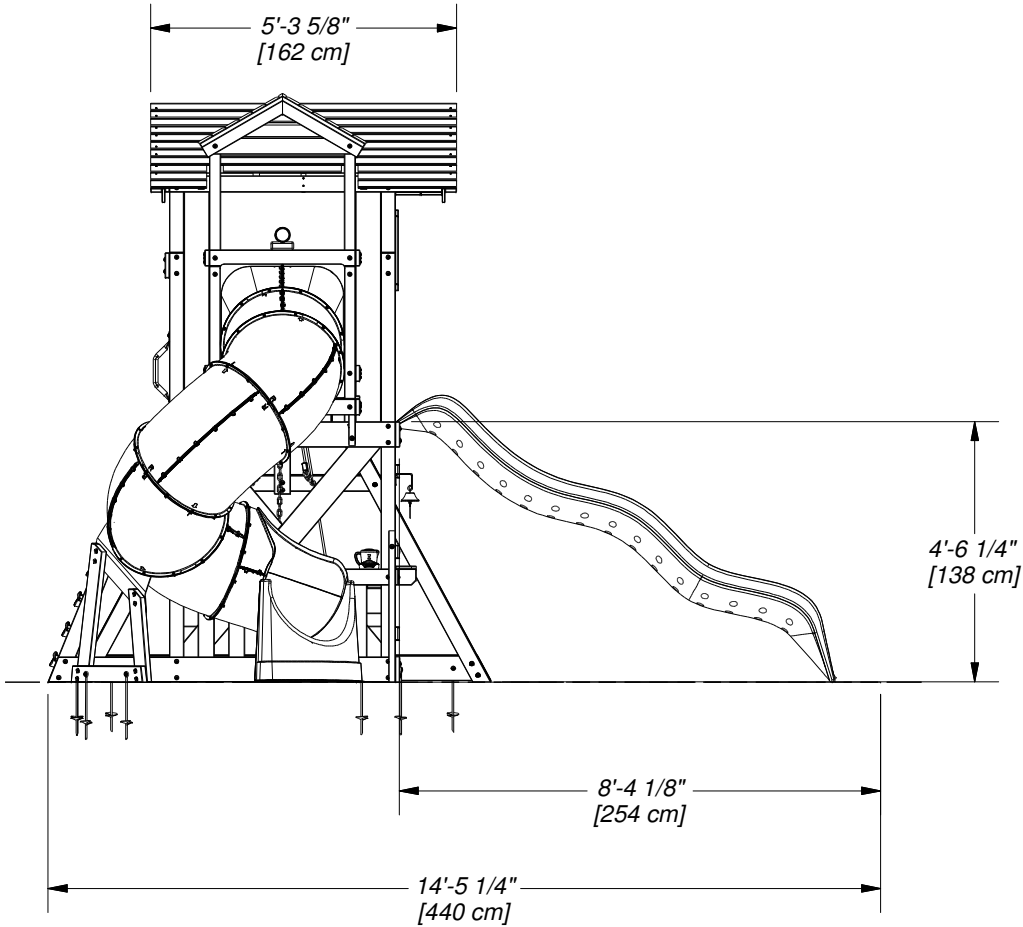
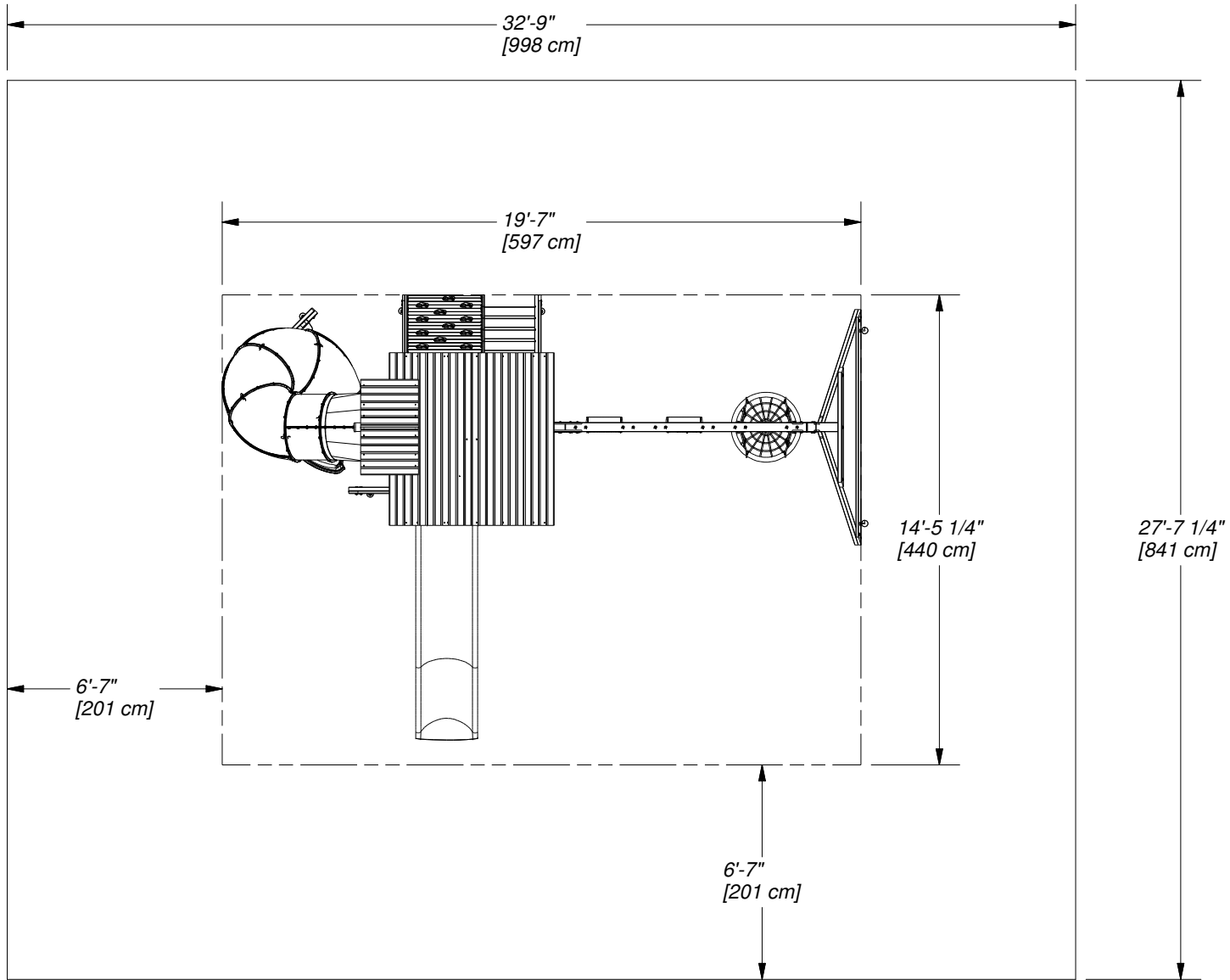


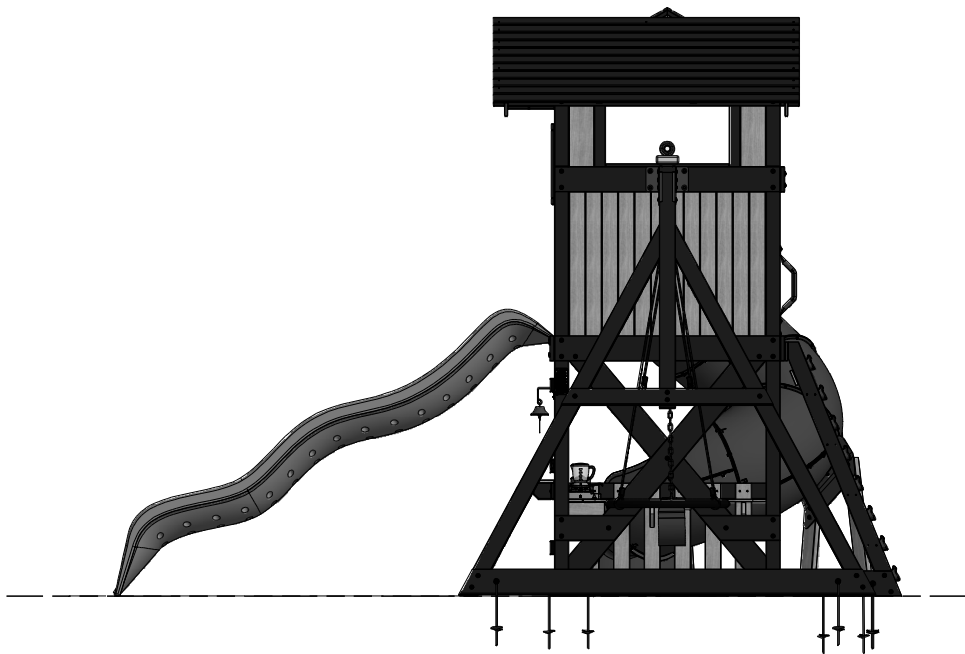
DRAWN BY RM	DESCRIPTION	
DATE 8/8/2018	PART NUMBER 1902022 TACOMA FALLS FOOTPRINT	REV



DRAWN BY RM		DESCRIPTION	
DATE 8/8/2018	PART NUMBER 1902022 TACOMA FALLS FOOTPRINT	REV	



DRAWN BY		DESCRIPTION	
RM			
DATE		PART NUMBER	
8/8/2018		1902022 TACOMA FALLS FOOTPRINT	
			REV



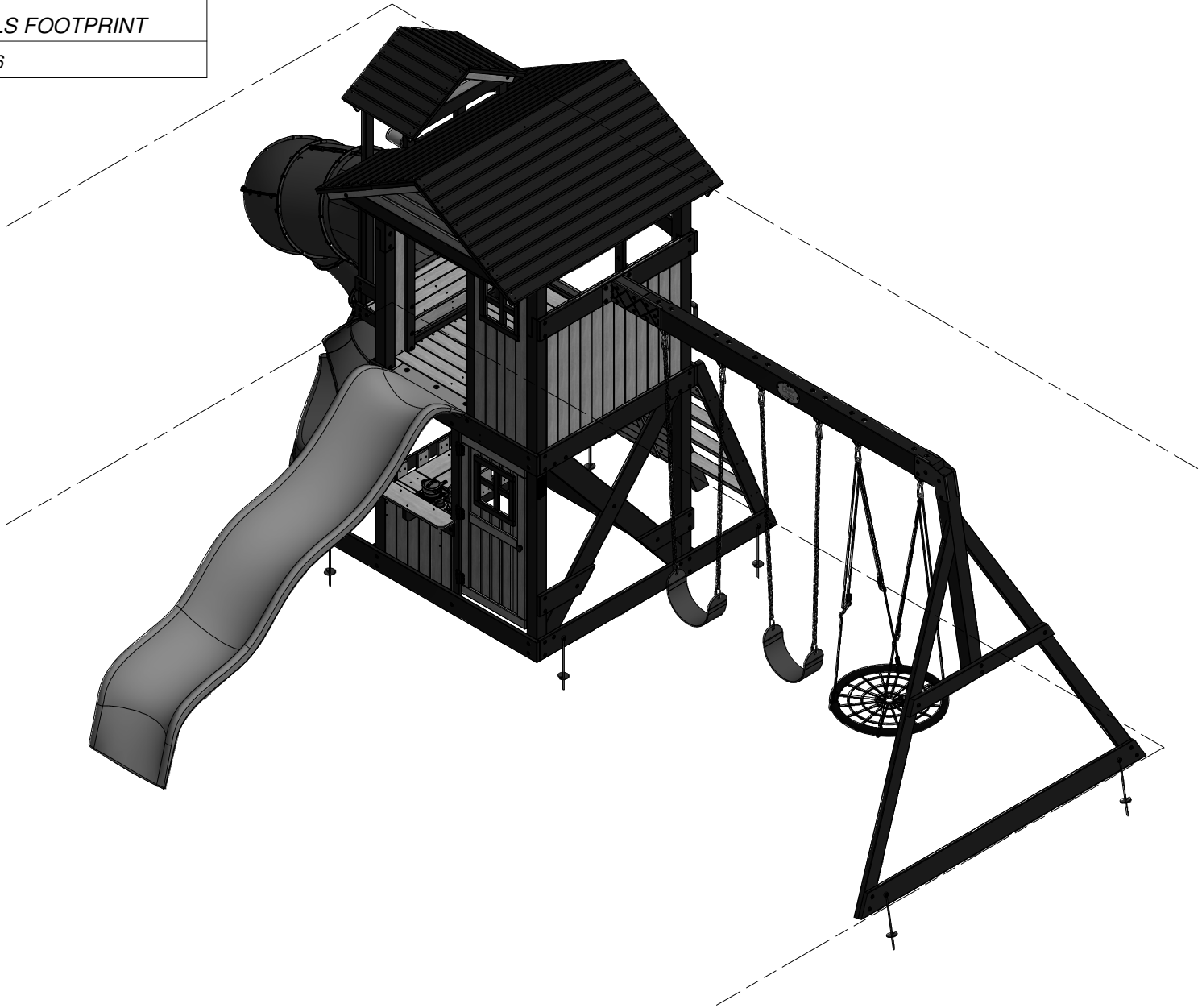
DRAWN BY	RM	DESCRIPTION	
DATE	8/8/2018	PART NUMBER	1902022 TACOMA FALLS FOOTPRINT
		REV	

Part Number

1902022 TACOMA FALLS FOOTPRINT

Sheet

5 OF 6



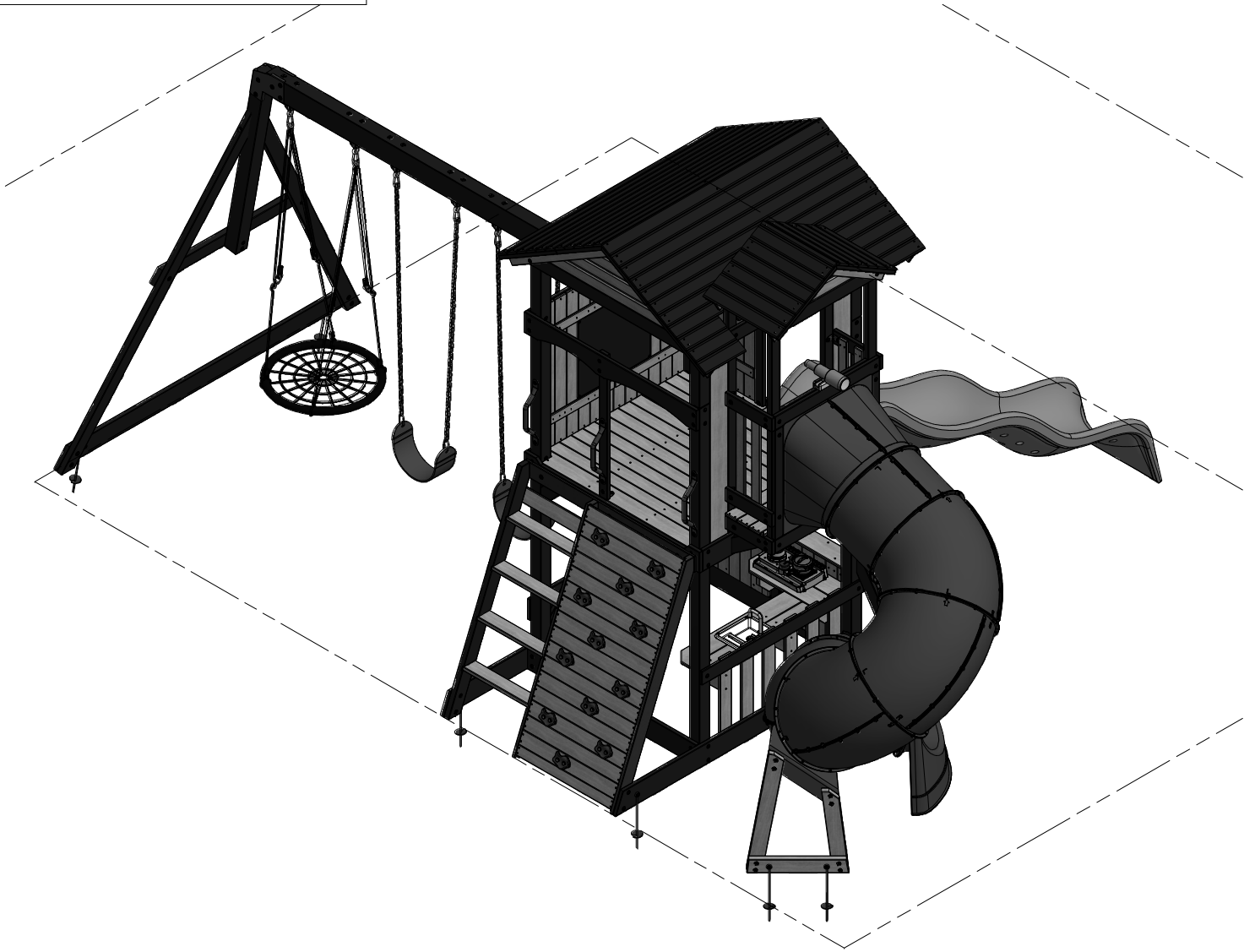
DRAWN BY	RM	DESCRIPTION	
DATE	8/8/2018	PART NUMBER	1902022 TACOMA FALLS FOOTPRINT
		REV	

Part Number

1902022 TACOMA FALLS FOOTPRINT

Sheet

6 OF 6



<small>DRAWN BY</small> RM	<small>DESCRIPTION</small>	
<small>DATE</small> 8/8/2018	<small>PART NUMBER</small> 1902022 TACOMA FALLS FOOTPRINT	<small>REV</small>