

Additional parts and accessories are available for purchase online at:  
[www.vancouverclassics.com](http://www.vancouverclassics.com)

## Caution

- Place heavier items on the lower shelves and lighter ones on the top.
- Do not stand or climb on the shelving system.
- Do not drop heavy items on the system.
- Do not move the system while loaded.

## Specifications

Dimensions: 36" W x 24" D x 72" H (75" H on wheels), 1" Pole Diameter

Weight capacity	Per shelf	Overall
On leveling feet	<b>800 lbs.</b> (362.8 kg)	<b>4000 lbs.</b> (1814 kg)
On wheels	<b>100 lbs.</b> (45.3 kg)	<b>500 lbs.</b> (226.8 kg)



Customer Service Information

Telephone: (604) 946-8929 or (800) 745-5656

Hours: 8:30 AM – 4:30 PM (PST)

Email: [support@vancouverclassics.com](mailto:support@vancouverclassics.com)

Homepage: [www.vancouverclassics.com](http://www.vancouverclassics.com)

# ULTRADURABLE<sup>®</sup>

Commercial-Grade 5-Tier  
NSF Steel Wire Shelving with Wheels  
36" W x 24" D x 72" H

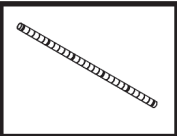

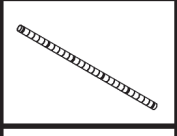
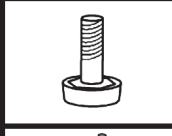

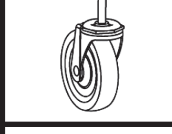




Model #: SHE24365B

Thank you for choosing Seville Classics! We hope that you enjoy your commercial-grade steel wire shelving! Please read through this guide for parts list, assembly instructions, frequently asked questions and further contact information.

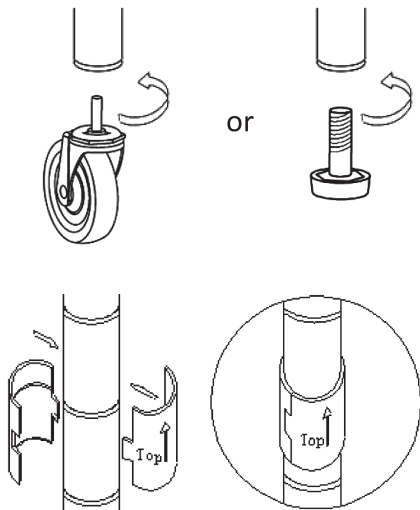
# Parts List

Please make sure you have all the parts on this list.

A. Bottom poles (4) (Threaded end)		E. Slip sleeves (20)	
B. Top poles (4) (Plastic cap on end)		F. Leveling feet (4)	
C. Connectors (4) (May be attached to poles)		G. Wheels (2)	
D. Shelves (5)		H. Locking wheels (2)	

If you're missing parts, contact us for replacements at  
(800) 745-5656 or send an email to [Support@vancouverclassics.com](mailto:Support@vancouverclassics.com)

## Assembly Instructions



1

### STEP 1.

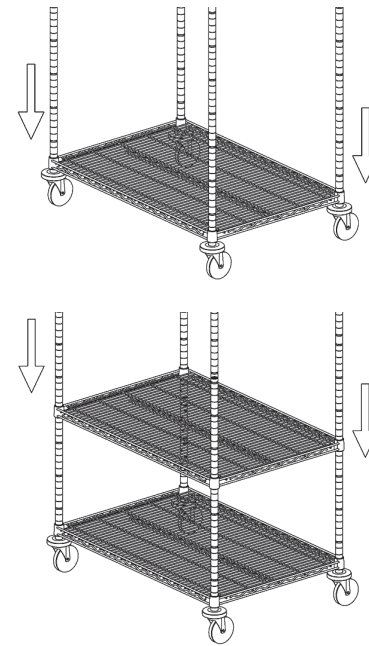
Screw **LEVELING FEET (F)** or **WHEELS (G, H)** into base of bottom poles.

Repeat for all bottom poles.

### STEP 2.

Snap **SLIP SLEEVES (E)** around the grooves on **BOTTOM POLES (A)** for your lowest shelf.

**TIP!** Count the number of grooves from the bottom of the pole to keep the height consistent.

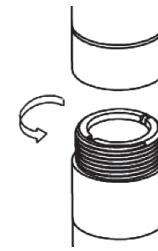


### STEP 3.

Fit **SHELF (D)** over the top of the 4 poles and over **SLIP SLEEVES (E)**.

Repeat **STEPS 2-3** for next shelf.

**TIP!** If necessary, lightly tap shelves into place with a rubber mallet.

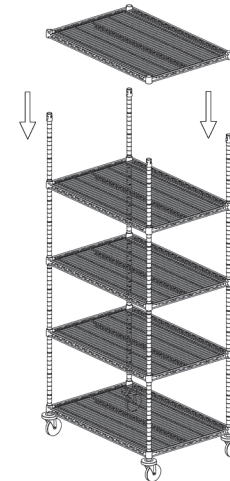


### STEP 4.

Screw **CONNECTORS (C)** into top of **BOTTOM POLES (A)**.

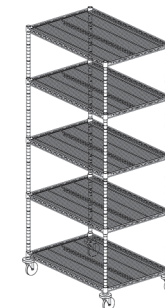
Screw **TOP POLES (B)** to **CONNECTORS (C)**.

**TIP!** Connectors may be pre-installed.



### STEP 5.

Repeat **STEPS 2-3** for remaining shelves.



Congratulations!

Enjoy your now complete shelving unit.

2