



FOLDAWAY WORKSTATION

Assembly Instructions

MODEL/MODÈLES/MODELOS

GAFS42KDJG
GAFS42KDJW
GAFS42KDJSG

POSTE DE TRAVAIL ESCAMOTABLE

Instructions d'assemblage

ESTACIÓN DE TRABAJO PLEGABLE

Instrucciones de ensamblaje

TABLE OF CONTENTS/TABLE DES MATIÈRES/ÍNDICE

FOLDAWAY WORKSTATION SAFETY2	SÉCURITÉ DU POSTE DE TRAVAIL ESCAMOTABLE 10	SEGURIDAD DE LA ESTACIÓN DE TRABAJO PLEGABLE 18
FOLDAWAY WORKSTATION DIMENSIONS3	DIMENSIONS DU POSTE DE TRAVAIL ESCAMOTABLE 11	DIMENSIONES DE LA ESTACIÓN DE TRABAJO PLEGABLE 19
PARTS4	PIÈCES 12	PIEZAS.....20
ASSEMBLY INSTRUCTIONS5	INSTRUCTIONS D'ASSEMBLAGE 13	INSTRUCCIONES DE ENSAMBLAJE21
INSTALLATION INSTRUCTIONS.....6	INSTRUCTIONS D'INSTALLATION 14	INSTRUCCIONES DE INSTALACIÓN22
ALTERNATE WORKSTATION INSTALLATION: MOUNTED DIRECTLY TO A WALL.....7	AUTRES OPTIONS D'INSTALLATION DU POSTE DE TRAVAIL : FIXÉ DIRECTEMENT AU MUR..... 15	INSTALACIÓN ADICIONAL DE LA ESTACIÓN DE TRABAJO: CON MONTAJE DIRECTAMENTE EN UNA PARED.....23
WARRANTY9	GARANTIE 17	GARANTÍA25

FOLDAWAY WORKSTATION SAFETY

Your safety and the safety of others are very important.

We have provided many important safety messages in this manual and on your appliance. Always read and obey all safety messages.



This is the safety alert symbol.

This symbol alerts you to potential hazards that can kill or hurt you and others.

All safety messages will follow the safety alert symbol and either the word "DANGER" or "WARNING."

These words mean:

⚠ DANGER

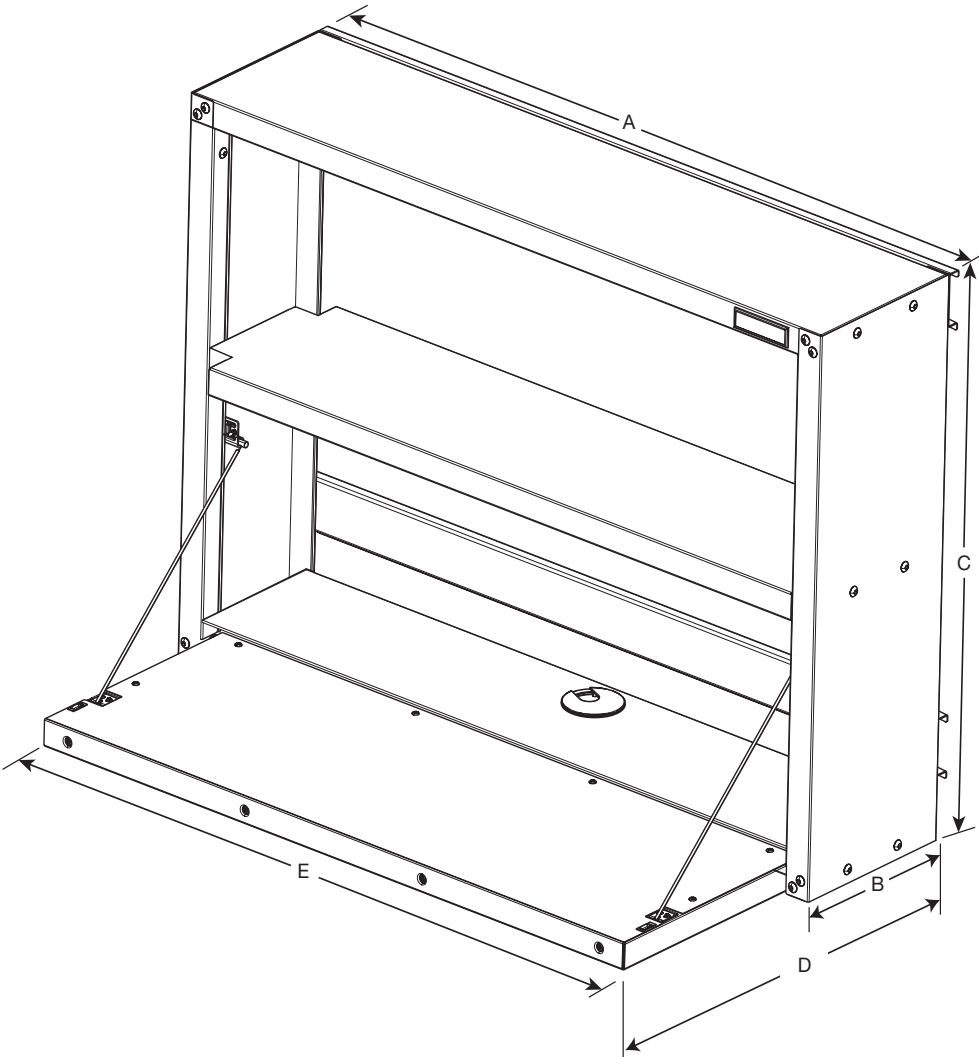
You can be killed or seriously injured if you don't immediately follow instructions.

⚠ WARNING

You can be killed or seriously injured if you don't follow instructions.

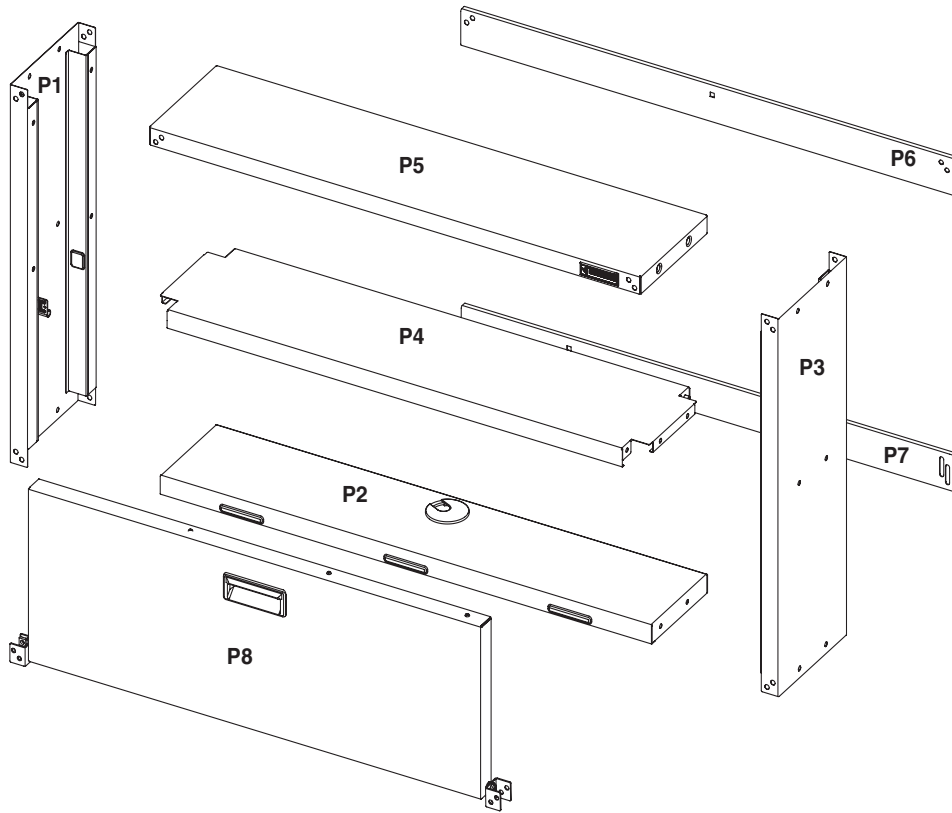
All safety messages will tell you what the potential hazard is, tell you how to reduce the chance of injury, and tell you what can happen if the instructions are not followed.

FOLDAWAY WORKSTATION DIMENSIONS



Model	GAFS42KDJG, GAFS42KDJW, GAFS42KDJSG
A (Length)	42"(106.7 cm)
B (Depth)	10"(25.4 cm)
C (Height)	30.5"(77.5 cm)
D (Fold-down door) Length	22.6"(57.40 cm)
E (Fold-down door) Width	38.7"(98.3 cm)

PARTS



F1



F2



F3



F4

Label	Part	Quantity
P1	Left Side Panel	1
P2	Bottom Panel	1
P3	Right Side Panel	1
P4	Shelf	1
P5	Top Panel	1
P6	Upper GearTrack/GearWall Bracket	1
P7	Lower GearTrack/GearWall Bracket	1
P8	Fold-down Door	1
F1	5/16" Allen Head Bolt	39 (34-38 Required)
F2	5/16" Flange Nut	15 (14 Required)
F3	Door Catch Pin	2
F4	Star Nut	2

ASSEMBLY INSTRUCTIONS

Workstation Use Requirements

- Intended for use in a garage.
- Maximum weight limit is 50 lbs (22.7 kg) for each shelf.
- Maximum weight limit is 200 lbs (90.7 kg) for the workstation.

Unpack Workstation Parts

- Remove and verify the contents. Contents include an Allen® wrench, and the parts and fasteners shown in "Parts."
- Dispose of/recycle all packaging materials.

Gather the required tools before starting installation.

Tools Needed:

- 1/2" wrench
- 1/4" wrench
- Pliers
- Tape measure

Tools Supplied:

- 3/16" Allen wrench

IMPORTANT: Two people may be required to complete the assembly.

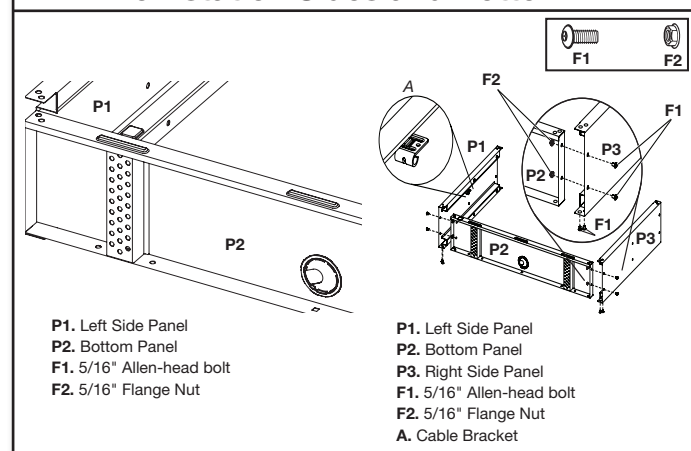
⚠ WARNING

Excessive Weight Hazard

Use two or more people to move shelving.

Failure to do so can result in back or other injury.

1. Workstation Sides and Bottom



With the cable bracket edge to the top, place left side panel (P1) on a flat, firm surface. With the electrical cord access to the back, insert the bottom panel (P2) between the edges of left side panel (P1).

NOTE: To create an opening for electrical cords, remove the center of the plastic grommet. Insert electrical cords and snap the center back into place.

Align the holes in the left side panel (P1) with the holes in the back and side edges of the bottom panel (P2).

NOTE: There will be a space between the top edge of the left side panel (P1) and the front edge of the bottom panel (P2).

With the cable bracket edge to the top, position right side panel (P3) so that the bottom panel (P2) is between the edges of right side panel (P3).

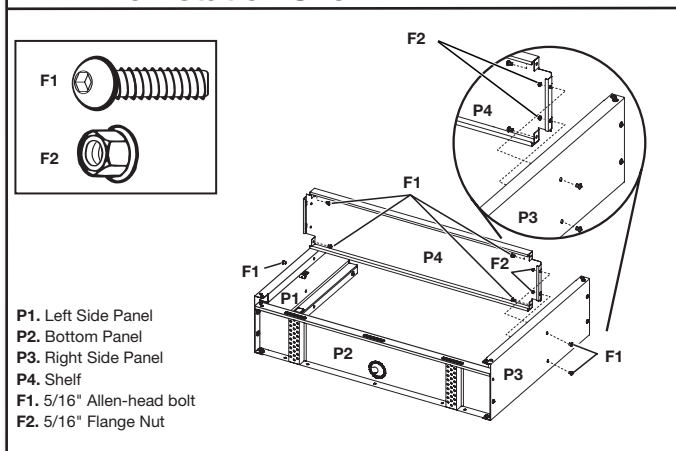
Align the holes in the right side panel (P3) with the holes in the back and side edges of the bottom panel (P2).

NOTE: There will be a space between the top edge of the right side panel (P3) and the front edge of the workstation bottom panel (P2).

Use four Allen-head bolts (F1) and four flange nuts (F2) per side to attach the bottom panel (P2) to both the side panels (P1 and P3) on Gladiator® GearWall® or GearTrack® systems as shown. Do not fully tighten.

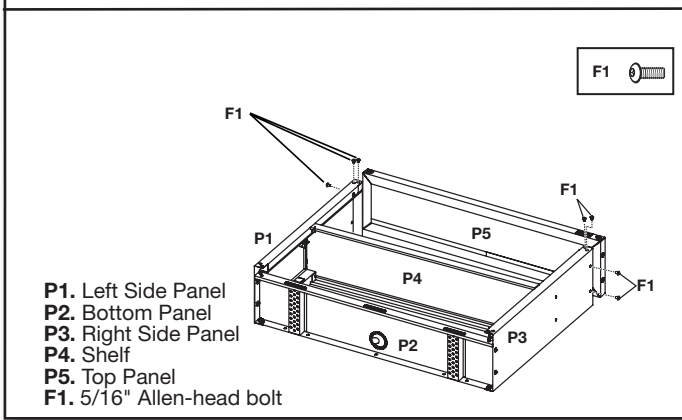
NOTE: The workstation can be directly mounted to the wall.

2. Workstation Shelf



Align the holes in the ends of the shelf (P4) with the holes in both the side panels (P1 and P3). Insert two 5/16" Allen-head bolts (F1) through each side panel (P1 and P3) and into the shelf (P4). Fasten with two 5/16" flange nuts (F2). Insert another two 5/16" Allen-head bolts (F1) through the flange under the shelf (P4) and into each side panel (P1 and P3).

3. Workstation Top



Insert the top panel (P5), between the edges of the sides (P1 and P3) and align the holes.

Attach the top panel (P5) to both the side panels (P1 and P3).

If Mounting to Standard Wall

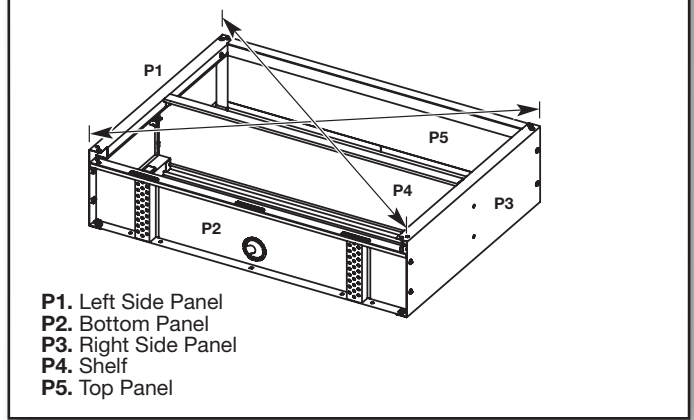
- Use six Allen-head bolts per side to attach the top panel (P5) to the side panels (P1 and P3). Do not fully tighten the bolts.

If Mounting to Gladiator® GearWall® panels or GearTrack® channels

- Omit the four bolts attaching the back corners. Use four Allen-head bolts per side, as shown. Do not fully tighten the bolts.

NOTE: The back of the top panel (P5) will be fastened to the side panels (P1 and P3) when the upper GearTrack®/GearWall® bracket (P6) is attached.

4. Square Workstation Frame



The measurements from corner to corner should be equal distance. Use the Allen wrench (provided) to fully tighten the bolts. Measure the frame again to make sure it is still square.

INSTALLATION INSTRUCTIONS

WARNING

Excessive Weight Hazard

Use two or more people to move shelving.

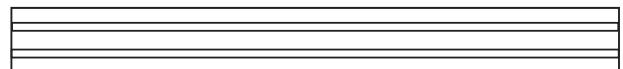
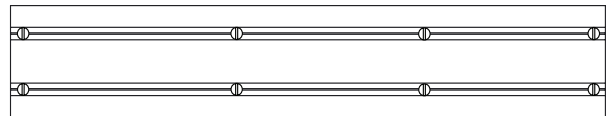
Failure to do so can result in back or other injury.

IMPORTANT: Decide if you are going to install the workstation on Gladiator® GearWall® panels or GearTrack® channels, or on a standard garage wall. Follow the instructions for your installation.

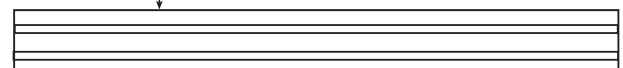
Install Workstation to GearWall® Panels or GearTrack® Channels

IMPORTANT:

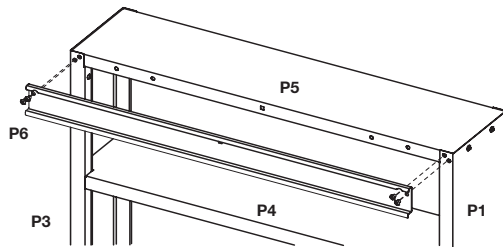
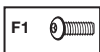
- Be sure the GearWall® panels or GearTrack® channels are installed with mounting screws in every slot and at every stud location with a maximum of 24" (60.96 cm) horizontally between screws.
- If installing the workstation on GearTrack® channel, you must use two channels installed 18" (46 cm) apart.



18" (46 cm)



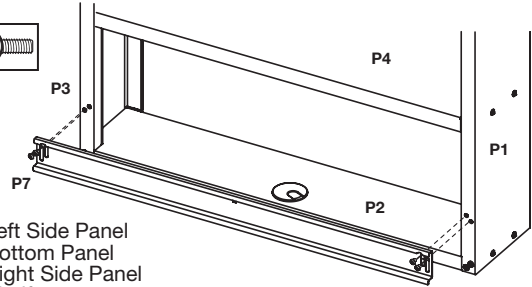
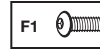
1. Attach Upper Mounting Bracket



- P1. Left Side Panel
- P3. Right Side Panel
- P4. Shelf
- P5. Top Panel
- P6. Upper Bracket
- F1. 5/16" Allen-head bolt

Working from the back with the mounting bracket rims pointing down, align the two holes in each corner of the upper GearTrack®/GearWall® bracket (P6) with the two holes in each corner of the top panel (P5). Insert four Allen-head bolts (F1) through the upper GearTrack®/GearWall® bracket (P6) and into the top panel (P5). Completely tighten the bolts.

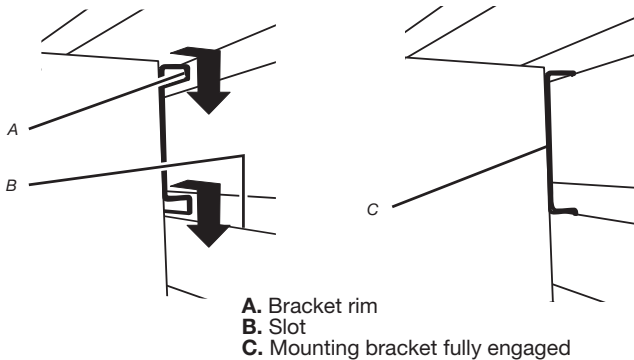
2. Attach Lower Mounting Bracket



- P1. Left Side Panel
- P2. Bottom Panel
- P3. Right Side Panel
- P4. Shelf
- P7. Lower Bracket
- F1. 5/16" Allen-head Bolt

Working from the back with the mounting bracket rims pointing down, align the two slots in each side of the lower GearTrack®/GearWall® bracket (P7) with the slots in each of the side panels (P1 and P3). Insert four Allen-head bolts (F1) through the bracket (P7) and into the side panels (P1 and P3). Make sure the distance from the top of the upper bracket to the top of the lower bracket measures 24" (60.96 cm) on both sides. Completely tighten the bolts.

3. Mount on GearWall® Panels or GearTrack® Channels



- A. Bracket rim
- B. Slot
- C. Mounting bracket fully engaged

Determine workstation mounting location on GearWall® panels or GearTrack® channels. Using two or more people, engage the mounting brackets into the wall slots by lifting up, pushing toward the wall and lowering the bracket rims into the slots. Inspect the workstation from the sides to ensure the wall mounting bracket is fully engaged in slots as shown.

NOTE: The lower bracket slots allow for adjustments in GearTrack® System or GearWall® variation.

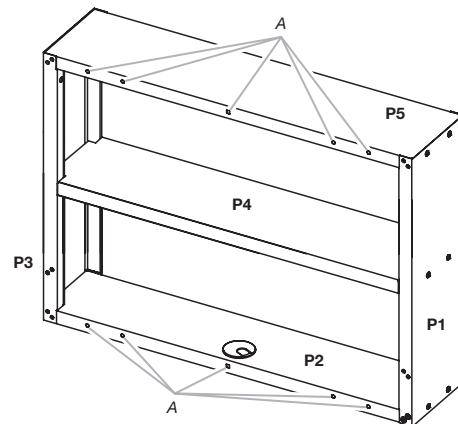
ALTERNATE WORKSTATION INSTALLATION: MOUNTED DIRECTLY TO A WALL

Tools and Parts Needed:

- Socket wrench with 2" extension
- 1/2" Socket wrench
- 5/16" x 1 1/2" Lag screws (6)
- 5/16" Flat washers (6)

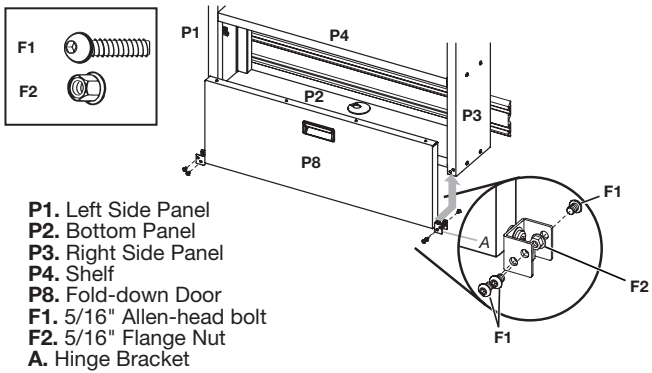
IMPORTANT: The holes in the top panel (P5) and the bottom panel (P2) are spaced to allow you to mount the workstation to your garage wall studs.

- Locate the wood studs in your garage wall. Align three holes at the top and three holes at the bottom with the wood studs, and mark the location of the holes.
- While two or more people hold the workstation against the wall, attach the workstation to the garage wall using 5/16" flat washers and 5/16" x 1 1/2" lag screws (not provided).
- Use a 1/2" socket wrench to fully tighten the screws.



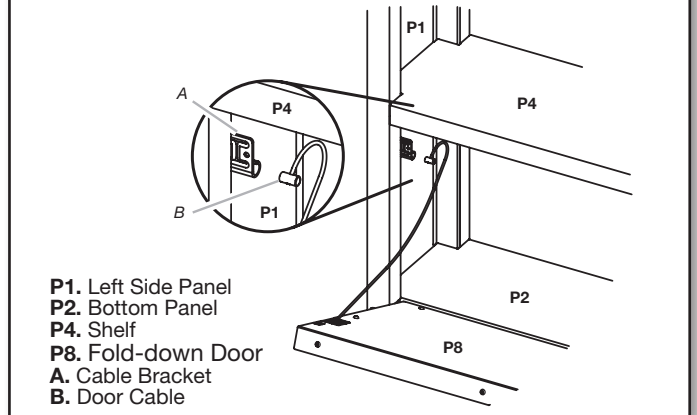
A. Holes for standard wall mounting

4. Attach Fold-down Door



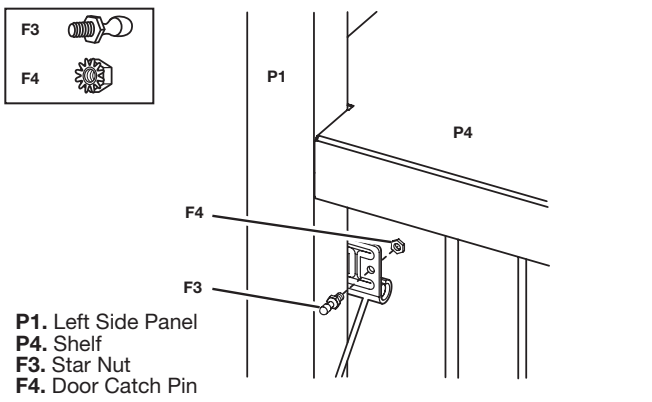
Insert the fold-down door (P8) hinge brackets into the bottom of the workstation frame, as shown. While one person holds the fold-down door (P8) in place, align the holes in the bottom corners of the fold-down door (P8) with the corner holes in the workstation sides (P1 and P3). Fasten with two Allen-head bolts (F1) at each corner. Insert another 5/16" Allen Head Bolt (F1) through the underside of the bottom panel (P2) and into the elongated hole at back of each hinge bracket. Fasten each bolt with a 5/16" flange nut (F2), as shown.

5. Attach Door Cables



Position the fold-down door (P8) cable into the slot in the bottom of each cable bracket (one on each side), as shown. Pull down on the cable until it is firmly seated in the slot.

6. Attach Door Catch Pins



Insert the door catch pins (F3) into the holes in the cable brackets, and fasten them with the star nuts (F4), as shown. Close the door. Using the Allen wrench (provided), completely tighten all the bolts.

Registering Your Product

There are many benefits to registering your product. Find out more and register your product online at:

www.gladiatorgarageworks.com.

Consumers in Canada can call 1-800-807-6777.

GLADIATOR® FOLDAWAY WORKSTATION WARRANTY

ATTACH YOUR RECEIPT HERE. PROOF OF PURCHASE IS REQUIRED TO OBTAIN WARRANTY SERVICE.

Please have the following information available when you call the Customer eXperience Center:

- Name, address and telephone number
- Model number and serial number
- A clear, detailed description of the problem
- Proof of purchase including dealer or retailer name and address

IF YOU NEED SERVICE:

1. Before contacting us to arrange service, please determine whether your product requires repair. Some questions can be addressed without service. Please take a few minutes to review the instructions or visit www.gladiatorgarageworks.com.
2. All warranty service is provided exclusively by our authorized Gladiator Service Providers. In the U.S. and Canada, direct all requests for warranty service to:

Gladiator Customer eXperience Center

In the U.S.A., call 1-866-342-4089. In Canada, call 1-800-807-6777.

If outside the 50 United States or Canada, contact your authorized Gladiator dealer to determine whether another warranty applies.

TEN YEAR LIMITED WARRANTY (PARTS ONLY)

WHAT IS COVERED

TEN YEAR LIMITED WARRANTY (PARTS ONLY - LABOR NOT INCLUDED)

For ten years from the date of original purchase, when this product is installed, operated, and maintained according to instructions attached to or furnished with the product, Gladiator® GarageWorks will pay for factory specified replacement parts to correct non-cosmetic defects in materials or workmanship in this part that prevent function of the Foldaway Workstation and that existed when this product was purchased. This limited 10-year warranty is for the product only and does not include labor.

YOUR SOLE AND EXCLUSIVE REMEDY UNDER THIS LIMITED WARRANTY SHALL BE PRODUCT OR PART REPLACEMENT AT OUR DISCRETION AS PROVIDED HEREIN. Service must be provided by a Gladiator authorized service provider. This limited warranty is valid only in the United States or Canada and applies only when the product is used in the country in which it was purchased. This limited warranty is effective from the date of original consumer purchase. Proof of original purchase date is required to obtain service under this limited warranty.

WHAT IS NOT COVERED

1. Service calls to correct the installation of any Gladiator products or to instruct you on how to use or install them.
2. Damage resulting from improper handling or shipping of products, or products damaged by accident, misuse, abuse, fire, flood, improper installation, acts of God, neglect, corrosion, modification or mishandling.
3. Shipping or freight fees to deliver replacement products or to return defective products.
4. Repairs or replacement when your product is used in other than normal, single-family household use, such as a commercial environment or handled in any way inconsistent with the installation instructions included with the product.
5. Cosmetic damage including scratches, dings, dents or cracks that do not affect the structural or functional capability of the product.
6. Replacement parts or product for Gladiator products operated outside the United States and Canada.
7. In Canada, travel or transportation expenses for customers who reside in remote areas.
8. Any labor costs during the limited warranty period.
9. Damage resulting from improper loading beyond the specified maximum weight capacity outlined in the assembly instructions provided with the product.
10. Surfaces damaged due to chemical interaction resulting in corrosion of paint or metal.

The cost of repair or replacement under these excluded circumstances shall be borne by the customer.

DISCLAIMER OF IMPLIED WARRANTIES; LIMITATION OF REMEDIES

IMPLIED WARRANTIES, INCLUDING TO THE EXTENT APPLICABLE WARRANTIES OF MERCHANTABILITY OR FITNESS FOR A PARTICULAR PURPOSE, ARE EXCLUDED TO THE EXTENT LEGALLY PERMISSIBLE. ANY IMPLIED WARRANTIES THAT MAY BE IMPOSED BY LAW ARE LIMITED TO ONE YEAR, OR THE SHORTEST PERIOD ALLOWED BY LAW. SOME STATES AND PROVINCES DO NOT ALLOW LIMITATIONS OR EXCLUSIONS ON HOW LONG AN IMPLIED WARRANTY OF MERCHANTABILITY OR FITNESS LASTS, SO THE ABOVE LIMITATIONS OR EXCLUSIONS MAY NOT APPLY TO YOU. THIS WARRANTY GIVES YOU SPECIFIC LEGAL RIGHTS, AND YOU MAY ALSO HAVE OTHER RIGHTS WHICH VARY FROM STATE TO STATE OR PROVINCE TO PROVINCE.

Outside the 50 United States and Canada, this warranty does not apply. Contact your authorized Gladiator dealer to determine if another warranty applies.

If you need service, call the Gladiator Customer eXperience Center, **1-866-342-4089** (toll-free), from anywhere in the U.S.A. In Canada, contact your Whirlpool Canada LP designated service company or call **1-800-807-6777**.

In the United States, Gladiator means Whirlpool Corporation, Benton Harbor, Michigan 49022. In Canada, Gladiator means Whirlpool Canada LP, Mississauga, ON L5N 3A7.

Keep this book and your sales slip together for future reference. You must provide proof of purchase or installation date for in-warranty service.

Write down the following information about your Foldaway Workstation to better help you obtain assistance or service if you ever need it. You will need to know your complete model number and serial number. You can find this information on the model and serial label located on the back of the product.

Dealer name _____
 Address _____
 Phone number _____
 Model number _____
 Serial number _____
 Purchase date _____

SÉCURITÉ DU POSTE DE TRAVAIL ESCAMOTABLE

Votre sécurité et celle des autres est très importante.

Nous donnons de nombreux messages de sécurité importants dans ce manuel et sur votre appareil ménager. Assurez-vous de toujours lire tous les messages de sécurité et de vous y conformer.



Voici le symbole d'alerte de sécurité.

Ce symbole d'alerte de sécurité vous signale les dangers potentiels de décès et de blessures graves à vous et à d'autres.

Tous les messages de sécurité suivront le symbole d'alerte de sécurité et le mot "DANGER" ou "AVERTISSEMENT". Ces mots signifient :

⚠ DANGER

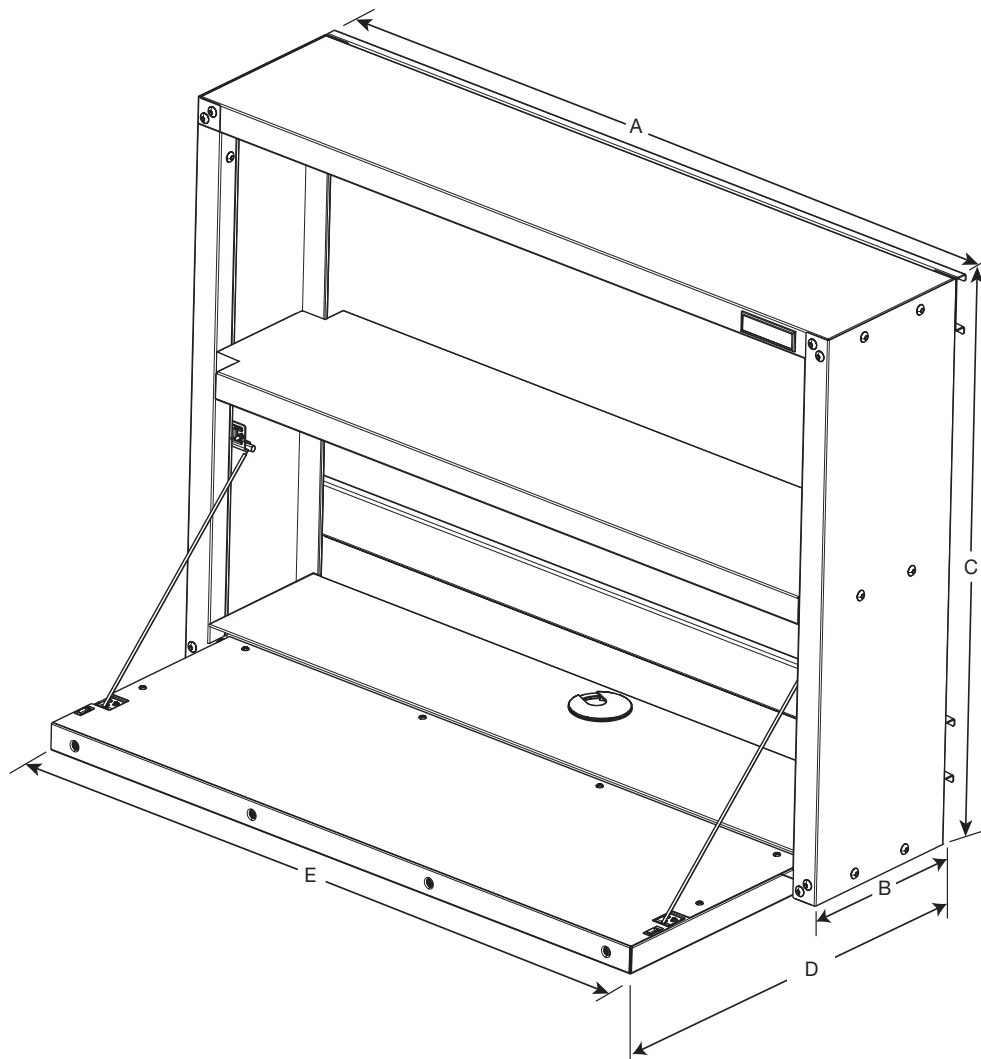
Risque possible de décès ou de blessure grave si vous ne suivez pas immédiatement les instructions.

⚠ AVERTISSEMENT

Risque possible de décès ou de blessure grave si vous ne suivez pas les instructions.

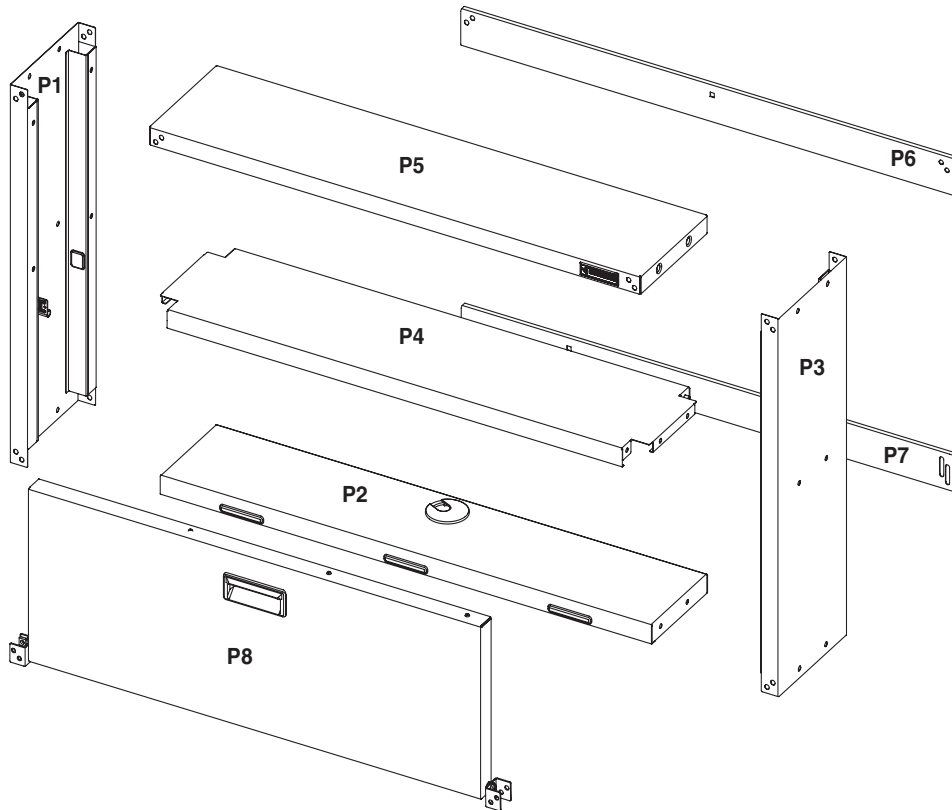
Tous les messages de sécurité vous diront quel est le danger potentiel et vous disent comment réduire le risque de blessure et ce qui peut se produire en cas de non-respect des instructions.

DIMENSIONS DU POSTE DE TRAVAIL ESCAMOTABLE



Modèle	GAFS42KDJG, GAFS42KDJW, GAFS42KDJSG
A (longueur)	42 po (106,7 cm)
B (profondeur)	10 po (25,4 cm)
C (hauteur)	30,5 po (77,5 cm)
D (porte rabattable) Longueur	22,6 po (57,40 cm)
E (porte rabattable) Largeur	38,7 po (98,3 cm)

PIÈCES



F1



F2



F3



F4

Étiquette	Pièce	Quantité
P1	Panneau de gauche	1
P2	Panneau inférieur	1
P3	Panneau de droite	1
P4	Tablette	1
P5	Panneau supérieur	1
P6	GearTrack supérieur/bride GearWall	1
P7	GearTrack inférieur/bride GearWall	1
P8	Porte rabattable	1
F1	Boulon à tête hexagonale de 5/16 po	39 (34-38 nécessaires)
F2	Écrou à embase de 5/16 po	15 (14 nécessaires)
F3	Piton de retenue de porte	2
F4	Écrou-frein	2

INSTRUCTIONS D'ASSEMBLAGE

Spécifications d'utilisation du poste de travail

- Le produit est conçu pour une utilisation dans un garage.
- Limite maximum de poids pour chaque tablette : 50 lb (22,7 kg).
- La limite de charge maximale est de 200 lb (90,7 kg) pour le poste de travail complet.

Déballage des composants du poste de travail

- Retirez le contenu; vérifiez la présence de tous les composants. Le contenu inclut une clé Allen[®], ainsi que les pièces et organes de fixation illustrés dans la section « Pièces ».
 - Éliminer/recycler tous les matériaux d'emballage.
- Rassemblez les outils nécessaires avant de commencer l'installation.

Outils requis :

- Clé de 1/2 po
- Clé de 1/4 po
- Pince
- Ruban à mesurer

Utiliser quatre vis à tête hexagonale (F1) et quatre écrous à embase (F2) pour fixer le panneau du fond (P2) avec les panneaux latéraux (P1 et P3) sur les systèmes Gladiator[®] GearWall[®] ou GearTrack[®] – voir l'illustration. Ne pas serrer complètement.

REMARQUE : Le poste de travail peut être fixé directement au mur.

Outils fournis :

- Clé hexagonale de 3/16 po

IMPORTANT : Il pourrait être nécessaire d'être deux personnes pour effectuer l'assemblage.

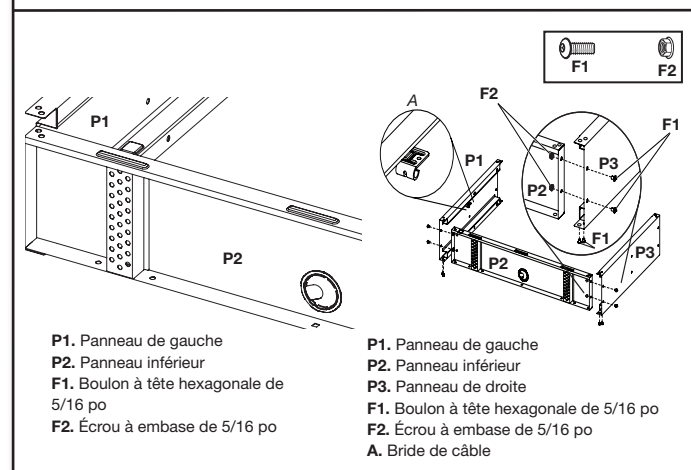
⚠ AVERTISSEMENT

Risque de poids excessif

Au moins deux personnes sont requises pour déplacer les étagères.

Le non-respect de cet avertissement pourrait entraîner une blessure au dos ou autre blessure.

1. Panneaux latéraux et du fond du poste de travail



Placer le panneau latéral gauche (P1) sur une surface plane et ferme, la rive de câblage étant placée au sommet. L'orifice de passage du câble électrique étant à l'arrière, insérer le panneau du fond (P2) entre les rives du panneau latéral gauche (P1).

REMARQUE : Pour permettre le passage des câbles électriques, ôter l'opercule d'obturation en plastique (au centre). Insérer les cordons d'alimentation électrique et remettre en place l'opercule d'obturation.

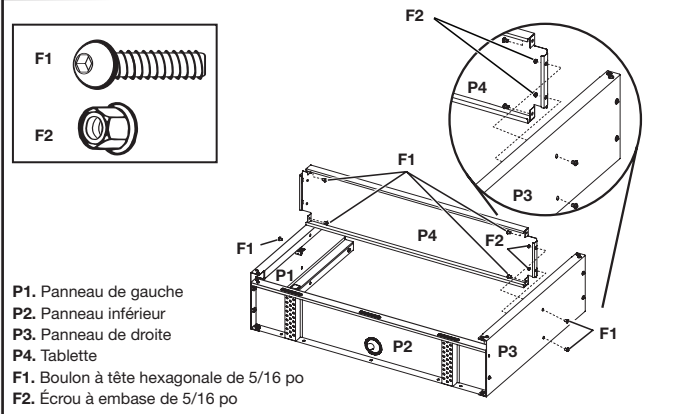
Aligner les trous du panneau latéral gauche (P1) avec les trous de l'arrière et des rives du panneau du fond (P2).

REMARQUE : Il y aura un espace libre entre la rive supérieure du panneau latéral gauche (P1) et la rive avant du panneau du fond (P2).

La rive de câblage étant placée au sommet, positionner le panneau latéral droit (P3) pour placer le panneau du fond (P2) entre les rives du panneau latéral droit (P3). Aligner les trous du panneau latéral droit (P3) avec les trous de l'arrière et des rives du panneau du fond (P2).

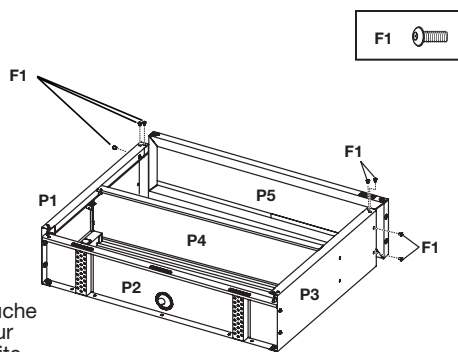
REMARQUE : Il y aura un espace libre entre la rive supérieure du panneau latéral droit (P3) et la rive avant du panneau du fond (P2).

2. Tablette du poste de travail



Aligner les trous des extrémités de l'étagère (P4) avec les trous des panneaux latéraux (P1 et P3). Insérer deux vis à tête hexagonale de 5/16 po (F1) à travers chaque panneau latéral (P1 et P3) et à travers l'étagère (P4). Placer/serrer deux écrous à embase de 5/16 po (F2) sur les vis. Insérer deux autres vis à tête hexagonale de 5/16 po (F1) à travers le rebord sous l'étagère (P4) et à travers chaque panneau latéral (P1 et P3).

3. Sommet du poste de travail



- P1. Panneau de gauche
- P2. Panneau inférieur
- P3. Panneau de droite
- P4. Tablette
- P5. Panneau supérieur
- F1. Boulon à tête hexagonale de 5/16 po

Insérer le panneau supérieur (P5) entre les rives des panneaux latéraux (P1 et P3) et aligner les trous.

Fixer le panneau supérieur (P5) aux panneaux latéraux (P1 et P3).

Si monté à un mur normal

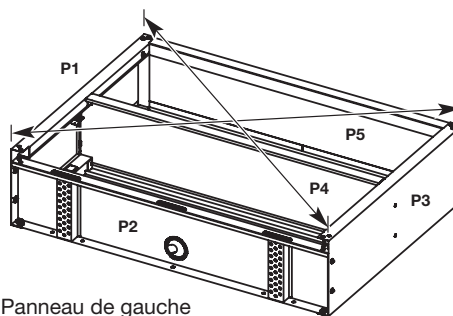
- Utiliser six vis à tête hexagonale pour fixer le panneau supérieur (P5) aux panneaux latéraux (P1 et P3). Ne pas serrer complètement les vis.

Si monté sur des panneaux Gladiator® et GearWall® ou des profilés GearTrack®

- Omettre la pose des quatre vis de fixation des angles à l'arrière. Utiliser quatre vis à tête hexagonale par côté – voir l'illustration. Ne pas serrer complètement les vis.

REMARQUE : L'arrière du panneau supérieur (P5) sera fixé aux panneaux latéraux (P1 et P3) lors de l'installation de la bride de montage supérieure GearTrack® ou GearWall® (P6).

4. Cadre carré du poste de travail



- P1. Panneau de gauche
- P2. Panneau inférieur
- P3. Panneau de droite
- P4. Tablette
- P5. Panneau supérieur

Les deux diagonales doivent avoir la même longueur. Utiliser la clé hexagonale (fournie) pour serrer complètement les vis et écrous. Mesurer de nouveau les diagonales pour vérifier l'équerrage.

INSTRUCTIONS D'INSTALLATION

⚠ AVERTISSEMENT

Risque de poids excessif

Au moins deux personnes sont requises pour déplacer les étagères.

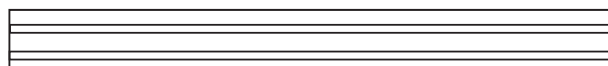
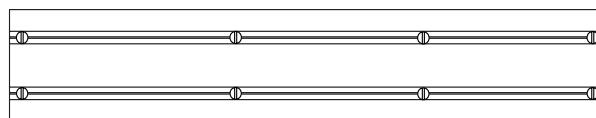
Le non-respect de cet avertissement pourrait entraîner une blessure au dos ou autre blessure.

IMPORTANT : Décider si le poste de travail sera fixé sur des panneaux Gladiator® et GearWall® ou des profilés GearTrack®, ou sur un mur normal du garage. Appliquer les instructions appropriées selon la configuration d'installation.

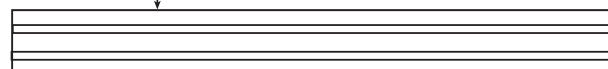
Installation du poste de travail sur des panneaux GearWall® ou des profilés GearTrack®

IMPORTANT :

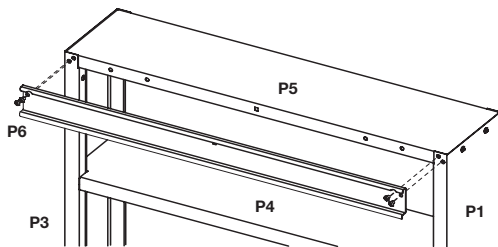
- Vérifier que lors de l'installation des panneaux GearWall® ou des profilés GearTrack®, une vis de montage a été placée dans chaque fente au niveau de chaque poteau du colombage, avec intervalle horizontal maximum de 24 po (60,96 cm) entre les vis.
- Dans le cas de l'installation sur des profilés GearTrack®, on doit utiliser deux profilés parallèles (espacement de 18 po [46 cm]).



18" (46 cm)



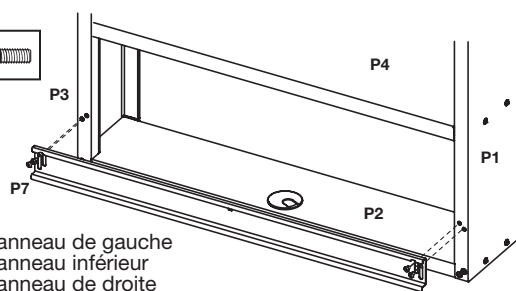
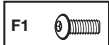
1. Fixation de la bride de montage supérieure



- P1. Panneau de gauche
- P3. Panneau de droite
- P4. Tablette
- P5. Panneau supérieur
- P6. Bride supérieure
- F1. Boulon à tête hexagonale de 5/16 po

En commençant par l'arrière avec les rives d'accrochage de la bride de montage étant orientées vers le bas, aligner les deux trous de chaque angle de la bride GearTrack® ou GearWall® (P6) supérieure avec les deux trous de chaque angle du panneau supérieur (P5). Insérer quatre boulons à tête hexagonale (F1) dans la bride GearTrack® ou GearWall® (P6) supérieure et dans le panneau supérieur (P5). Serrer complètement les boulons.

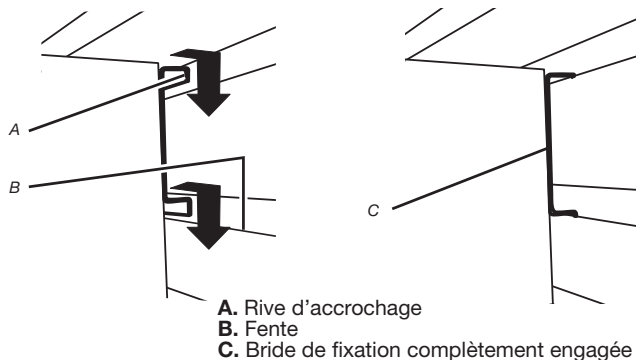
2. Fixation de la bride de montage inférieure



- P1. Panneau de gauche
- P2. Panneau inférieur
- P3. Panneau de droite
- P4. Tablette
- P7. Bride inférieure
- F1. Boulon à tête hexagonale de 5/16 po

Les rives d'accrochage de la bride de montage étant orientées vers le bas, aligner les deux trous allongés des extrémités de la bride GearTrack® ou GearWall® (P7) inférieure avec les trous correspondants des panneaux latéraux (P1 et P3). Insérer quatre boulons à tête hexagonale (F1) dans la bride (P7) et dans les panneaux latéraux (P1 et P3). Vérifier que la distance de séparation entre le sommet de la bride supérieure et le sommet de la bride inférieure est de 24 po (60,96 cm) sur chaque côté. Serrer complètement les boulons.

3. Montage sur des panneaux GearWall® ou profilés GearTrack®



Déterminer l'emplacement de montage du poste de travail sur des panneaux GearWall® ou des profilés GearTrack®. À l'aide d'au moins deux personnes, engager les brides de montage dans les fentes murales correspondantes en soulevant, poussant vers le mur et en abaissant les rives de bride dans les fentes. Inspecter le poste de travail depuis les côtés pour vérifier que les brides de montage mural sont parfaitement engagées dans les fentes murales – voir l'illustration.

REMARQUE : Les fentes de la bride inférieure permettent d'ajuster le système GearTrack® ou la variation de la GearWall®.

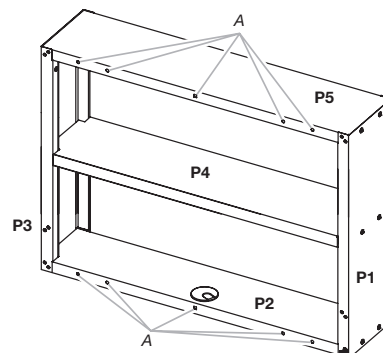
AUTRES OPTIONS D'INSTALLATION DU POSTE DE TRAVAIL : FIXÉ DIRECTEMENT AU MUR

Outils et pièces nécessaires :

- Clé à douille avec extension de 2 po
- Clé à douille de 1/2 po
- (6) Vis d'ancrage de 5/16 po x 1 1/2 po
- (6) rondelles plates de 5/16 po

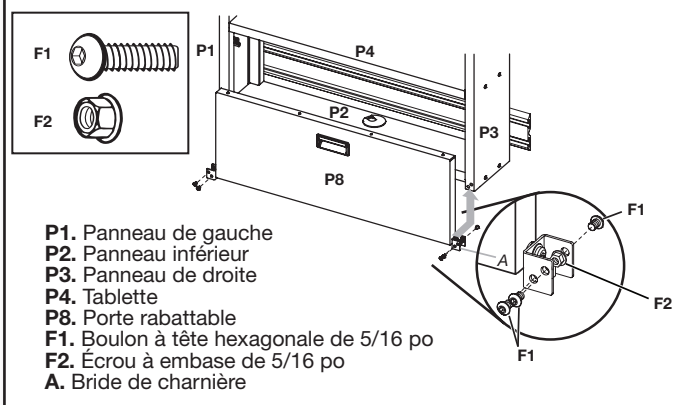
IMPORTANT : L'espacement des trous dans le panneau supérieur (P5) et le panneau inférieur (P2) permet la fixation du poste de travail sur les poteaux du colombage mural du garage.

- Identifier la position des poteaux de colombage de bois du mur du garage. Aligner trois trous au sommet et trois trous du bas avec les poteaux de bois du colombage; marquer la position des trous.
- Faire intervenir deux personnes ou plus devant maintenir le poste de travail contre le mur; fixer le poste de travail sur le mur du garage – utiliser des rondelles plates de 5/16 po et des vis d'ancrage de 5/16 po x 1 1/2 po (non fournies).
- Utiliser une clé à douille de 1/2 po pour serrer complètement les vis.



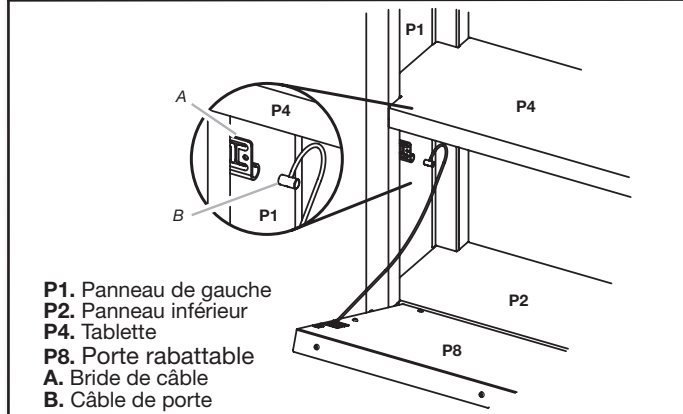
A. Trous pour installation sur un mur ordinaire

4. Fixation de la porte rabattable



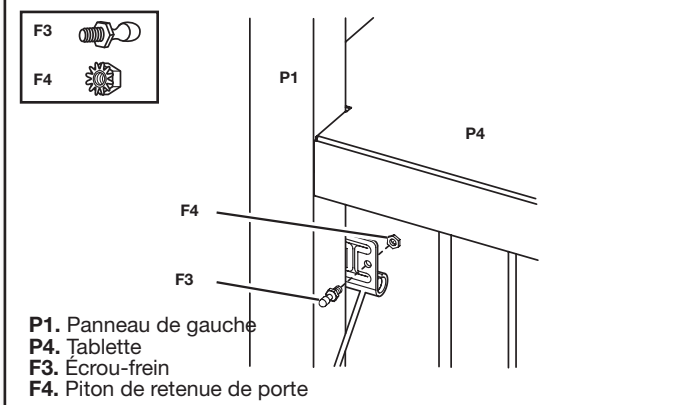
Insérer chaque porte rabattable (P8) en bas du châssis du poste de travail – voir l'illustration. Alors qu'une personne maintient la porte rabattable (P8) en place, aligner les trous des angles inférieurs de la porte rabattable (P8) avec les trous des angles des panneaux latéraux (P1 et P3) du poste de travail. Placer/serrer deux vis à tête hexagonale (F1) dans chaque angle. Insérer une autre vis à tête hexagonale de 5/16 po (F1) par-dessous le panneau inférieur (P2) et à travers le trou allongé à l'arrière de chaque bride de charnière. Placer un écrou à embase de 5/16 po (F2) sur chacune de ces vis – voir l'illustration.

5. Fixation des câbles de porte



Placer le câble de retenue de la porte rabattable (P8) dans l'ouverture en bas de chaque bride de câble (une de chaque côté) – voir l'illustration. Tirer sur le câble pour insérer fermement la pièce de retenue dans son logement.

6. Fixation du piton de retenue de la porte



Insérer les pitons de retenue de la porte (F3) dans les trous des brides de câble; fixer chaque piton avec un écrou-frein (F4) – voir l'illustration.

Fermer la porte.

Utiliser une clé hexagonale (fournie) pour serrer complètement tous les écrous et vis.

Enregistrement de votre produit

L'enregistrement du produit présente de nombreux avantages. Pour en savoir plus et enregistrer votre produit, visitez notre site Web au www.gladiatorgarageworks.com.

Les consommateurs au Canada peuvent composer le **1 800 807-6777**.

GARANTIE DU POSTE DE TRAVAIL ESCAMOTABLE GLADIATOR®

ATTACHEZ ICI VOTRE REÇU DE VENTE. UNE PREUVE D'ACHAT EST OBLIGATOIRE POUR OBTENIR L'APPLICATION DE LA GARANTIE.

Lorsque vous appelez le centre eXperience à la clientèle, veuillez garder à disposition les renseignements suivants :

- Nom, adresse et numéro de téléphone
- Numéros de modèle et de série
- Une description claire et détaillée du problème rencontré
- Une preuve d'achat incluant le nom et l'adresse du marchand ou du détaillant

SI VOUS AVEZ BESOIN DE SERVICE :

1. Avant de nous contacter pour obtenir un dépannage, veuillez déterminer si des réparations sont nécessaires pour votre produit. Certains problèmes peuvent être résolus sans intervention de dépannage. Veuillez prendre quelques minutes pour passer en revue les instructions ou visiter le www.gladiatorgarageworks.com.
2. Tout service sous garantie doit être effectué exclusivement par nos fournisseurs de dépannage autorisés Gladiator. Aux É.-U. et au Canada, dirigez toutes vos demandes de service sous garantie au :

Centre eXperience à la clientèle de Gladiator

Aux États-Unis, composer le 1 866 342-4089. Au Canada, composez le 1 800 807-6777.

Si vous résidez à l'extérieur du Canada et des 50 États des États-Unis, contactez votre marchand Gladiator autorisé pour déterminer si une autre garantie s'applique.

GARANTIE LIMITÉE DE DIX ANS (PIÈCES UNIQUEMENT)

CE QUI EST COUVERT

GARANTIE LIMITÉE DE DIX ANS (PIÈCES UNIQUEMENT - MAIN-D'ŒUVRE NON COMPRISE)

Pendant dix ans à compter de la date d'achat initial, lorsque ce produit est installé, utilisé et entretenu conformément aux instructions jointes au produit ou fournies avec, Gladiator® remplacera le produit défectueux ou fournira les pièces de rechange spécifiées par l'usine (à sa discrétion) afin de corriger les vices de matériaux ou de fabrication de ladite pièce qui empêchent le poste de travail escamotable de fonctionner et qui étaient déjà présents lorsque ce produit a été acheté. Cette garantie limitée de 10 ans s'applique uniquement au produit et ne comprend pas la main-d'œuvre.

LE SEUL ET EXCLUSIF RECOURS DU CLIENT DANS LE CADRE DE LA PRÉSENTE GARANTIE LIMITÉE EST LE REMPLACEMENT DU PRODUIT OU D'UNE PIÈCE COMME PRÉVU PAR LA PRÉSENTE, ET CE, À NOTRE DISCRÉTION. La réparation doit être effectuée par le personnel d'un fournisseur de service autorisé Gladiator. Cette garantie limitée est valide uniquement aux États-Unis ou au Canada et s'applique exclusivement lorsque le produit est utilisé dans le pays où il a été acheté. La présente garantie limitée est valable à compter de la date d'achat initial par le consommateur. Une preuve de la date d'achat initial est exigée pour obtenir un dépannage dans le cadre de la présente garantie limitée.

CE QUI N'EST PAS COUVERT

1. Les appels de service pour rectifier l'installation de tout produit Gladiator ou pour expliquer comment l'utiliser ou l'installer.
2. Les dommages causés par une manipulation ou une mauvaise expédition des produits, ou les produits endommagés par accident, mauvaise utilisation, abus, incendie, inondation, installation incorrecte, catastrophe naturelle, négligence, corrosion, modification ou mauvaise manipulation.
3. Les frais d'expédition ou de transport pour livrer des produits de rechange ou retourner des produits défectueux.
4. Les réparations ou remplacements lorsque le produit est utilisé autrement que pour une utilisation unifamiliale normale, comme dans un environnement commercial ou manipulé d'une façon non conforme aux instructions d'installation fournies avec le produit.
5. Les défauts d'apparence – éraflures, traces de choc ou fissures – n'affectant pas la fonctionnalité ou la résistance structurale du produit.
6. Les pièces ou le produit de rechange pour les produits Gladiator qui sont utilisés en dehors des États-Unis et du Canada.
7. Au Canada, les frais de déplacement ou de transport pour les clients qui résident dans des régions éloignées.
8. Tous les frais de main-d'œuvre encourus au cours de la période de garantie limitée.
9. Les dommages causés par un chargement incorrect au-delà de la capacité de poids maximum spécifiée dans les instructions d'assemblage fournies avec le produit.
10. Les surfaces endommagées par une interaction chimique causée par la corrosion de la peinture ou du métal.

Le coût d'une réparation ou d'un remplacement dans le cadre de ces circonstances exclues est à la charge du client.

CLAUSE D'EXONÉRATION DE RESPONSABILITÉ AU TITRE DES GARANTIES IMPLICITES ; LIMITATION DES RECOURS

LES GARANTIES IMPLICITES, Y COMPRIS DANS LA MESURE APPLICABLE LES GARANTIES DE QUALITÉ MARCHANDE OU D'APTITUDE À UN USAGE PARTICULIER, SONT EXCLUES DANS LA MESURE AUTORISÉE PAR LA LOI. TOUTE GARANTIE IMPLICITE POUVANT ÊTRE IMPOSÉE PAR LA LOI EST LIMITÉE À UN AN OU À LA PLUS COURTE PÉRIODE AUTORISÉE PAR LA LOI. CERTAINES JURIDICTIONS NE PERMETTENT PAS LA LIMITATION DE LA DURÉE DE VALIDITÉ DES GARANTIES IMPLICITES DE QUALITÉ MARCHANDE OU D'APTITUDE À UN USAGE PARTICULIER; PAR CONSÉQUENT, LES LIMITATIONS OU EXCLUSIONS STIPULÉES DANS LES PRÉSENTES PEUVENT NE PAS ÊTRE APPLICABLES. CETTE GARANTIE VOUS CONFÈRE DES DROITS JURIDIQUES SPÉCIFIQUES ET VOUS POUVEZ ÉGALEMENT JOUIR D'AUTRES DROITS QUI PEUVENT VARIER D'UNE JURIDICTION À UNE AUTRE. À l'extérieur du Canada et des 50 États des États-Unis, cette garantie ne s'applique pas. Contactez votre marchand autorisé Gladiator pour déterminer si une autre garantie s'applique.

Si vous avez besoin de service, appeler sans frais le centre eXperience à la clientèle de Gladiator au **1 866 342-4089**, de n'importe où aux É.-U. Au Canada, communiquez avec votre entreprise d'entretien autorisée par Whirlpool Canada LP ou composez le **1 800 807-6777**.

Aux États-Unis, Gladiator correspond à Whirlpool Corporation, Benton Harbor, Michigan 49022. Au Canada, Gladiator correspond à Whirlpool Canada LP, Mississauga, ON L5N 3A7.

Conservez ce manuel et le reçu de vente au même endroit pour référence ultérieure. Pour un entretien ou une réparation sous garantie, un document attestant de la date d'achat ou d'installation doit être fourni.

Inscrivez les renseignements suivants au sujet de votre poste de travail escamotable pour obtenir l'aide dont vous avez besoin, si jamais vous en avez besoin. Vous devrez fournir le numéro de modèle et le numéro de série au complet. Vous trouverez ces renseignements sur la plaque signalétique située à l'arrière du produit.

Nom du revendeur _____

Adresse _____

Numéro de téléphone _____

Numéro de modèle _____

Numéro de série _____

Date d'achat _____

SEGURIDAD DE LA ESTACIÓN DE TRABAJO PLEGABLE

Su seguridad y la seguridad de los demás es muy importante.

Hemos incluido muchos mensajes importantes de seguridad en este manual y en su electrodoméstico. Lea y obedezca siempre todos los mensajes de seguridad.



Este es el símbolo de alerta de seguridad.

Este símbolo le llama la atención sobre peligros potenciales que pueden ocasionar la muerte o una lesión a usted y a los demás.

Todos los mensajes de seguridad irán a continuación del símbolo de advertencia de seguridad y de la palabra "PELIGRO" o "ADVERTENCIA". Estas palabras significan:

 **PELIGRO**

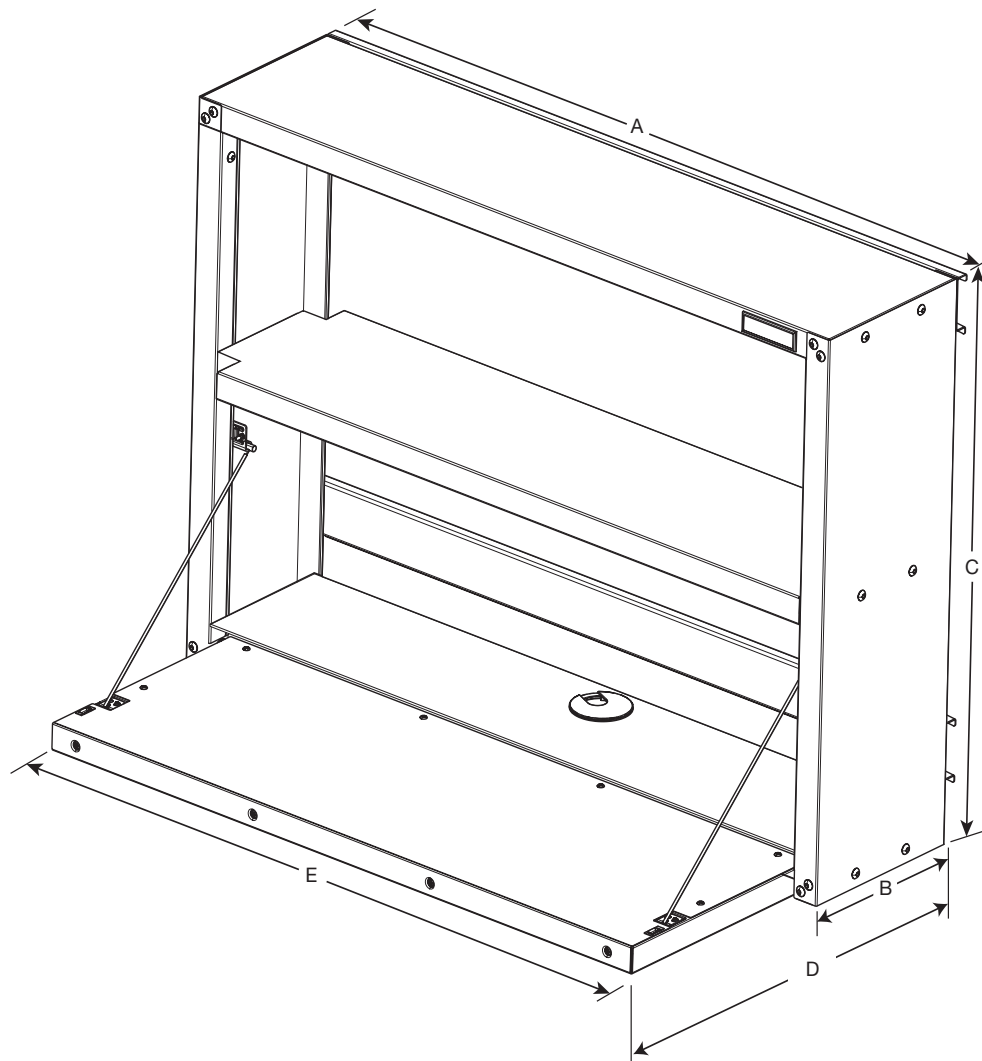
Si no sigue las instrucciones de inmediato, usted puede morir o sufrir una lesión grave.

 **ADVERTENCIA**

Si no sigue las instrucciones, usted puede morir o sufrir una lesión grave.

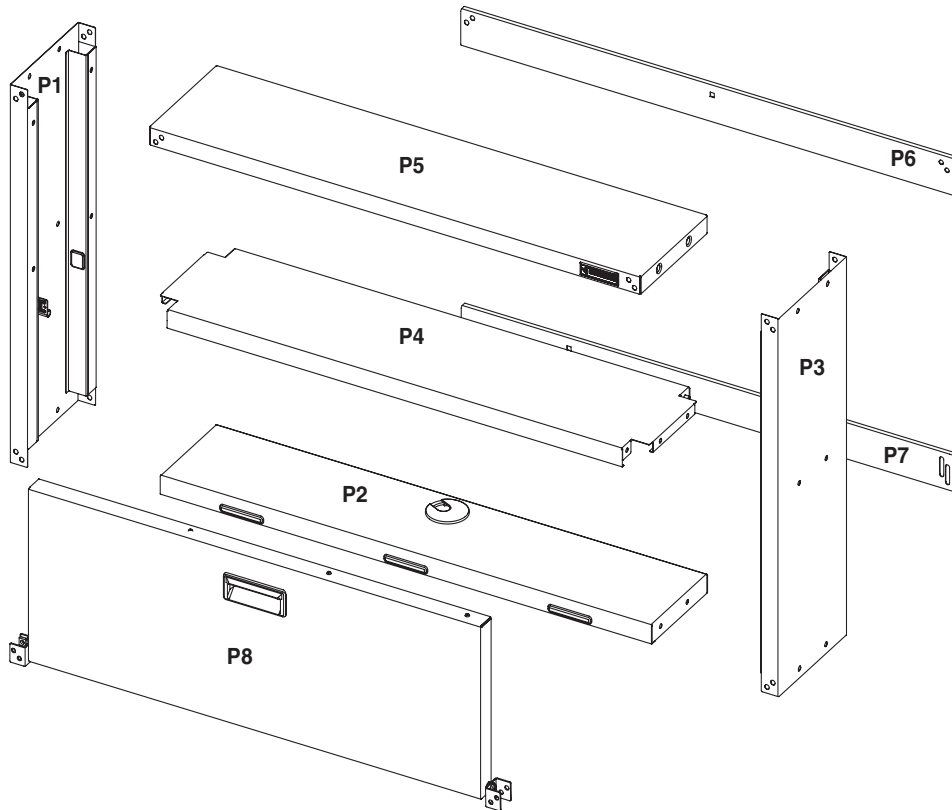
Todos los mensajes de seguridad le dirán el peligro potencial, le dirán cómo reducir las posibilidades de sufrir una lesión y lo que puede suceder si no se siguen las instrucciones.

DIMENSIONES DE LA ESTACIÓN DE TRABAJO PLEGABLE



Modelo	GAFS42KDJG, GAFS42KDJW, GAFS42KDJSG
A (Longitud)	42" (106,7 cm)
B (Profundidad)	10" (25,4 cm)
C (Altura)	30,5" (77,5 cm)
D (Puerta plegable) Longitud	22,6" (57,40 cm)
E (Puerta plegable) Ancho	38,7" (98,3 cm)

PIEZAS



F1



F2



F3



F4

Rótulo	Pieza	Cantidad
P1	Panel lateral izquierdo	1
P2	Panel inferior	1
P3	Panel lateral derecho	1
P4	Estante	1
P5	Panel superior	1
P6	Soporte GearTrack/GearWall superior	1
P7	Soporte GearTrack/GearWall inferior	1
P8	Puerta plegable	1
F1	Perno Allen de 5/16"	39 (34 a 38 requeridos)
F2	Tuerca de brida de 5/16"	15 (14 requeridas)
F3	Pasador del seguro de la puerta	2
F4	Tuerca en estrella	2

INSTRUCCIONES DE ENSAMBLAJE

Requisitos para el uso de la estación de trabajo

- Diseñado para usarse en un garaje.
- El límite máximo de peso para cada estante es de 50 libras (22,7 kg).
- El límite de peso máximo es de 200 libras (90,7 kg) para la estación de trabajo.

Desempaque las piezas de la estación de trabajo

- Desempaque y verifique el contenido. Se incluye una llave Allen® y las piezas y sujetadores que se muestran en "Piezas".
- Deseche o recicle todo el material de embalaje.

Reúna las herramientas necesarias antes de comenzar la instalación.

Herramientas necesarias:

- Llave de 1/2"
- Llave de 1/4"
- Alicata
- Cinta métrica

Use cuatro pernos Allen (F1) y cuatro tuercas de brida (F2) por lado para fijar el panel inferior (P2) a ambos paneles laterales (P1 y P3) en sistemas Gladiator® GearWall® o GearTrack® como se muestra. No lo ajuste por completo.

NOTA: La estación de trabajo se puede montar directamente en la pared.

Herramientas proporcionadas:

- Llave Allen de 3/16"

IMPORTANTE: Se podrían necesitar dos personas para completar el ensamblaje.

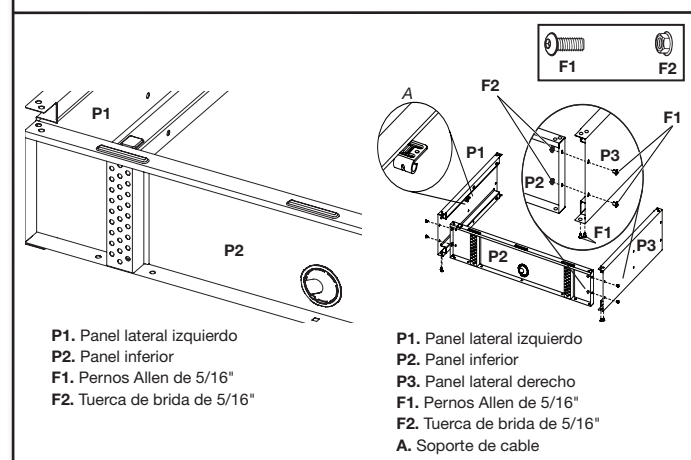
⚠ ADVERTENCIA

Peligro de Peso Excesivo

Use dos o más personas para mover la estantería.

No seguir esta instrucción puede ocasionar una lesión en la espalda u otro tipo de lesiones.

1. Paneles laterales y panel inferior de la estación de trabajo



Con el extremo del soporte del cable hacia arriba, coloque el panel lateral izquierdo (P1) sobre una superficie plana y firme. Inserte la parte inferior del panel (P2) entre los extremos del lado izquierdo del panel (P1), de modo que el cable eléctrico tenga acceso a la parte posterior.

NOTA: Para hacer una abertura para los cables eléctricos, saque el centro del ojal de plástico. Inserte los cables eléctricos y encaje el centro nuevamente en su lugar.

Alinee los orificios del panel lateral izquierdo (P1) con los orificios que están en la parte posterior y los bordes laterales del panel inferior (P2).

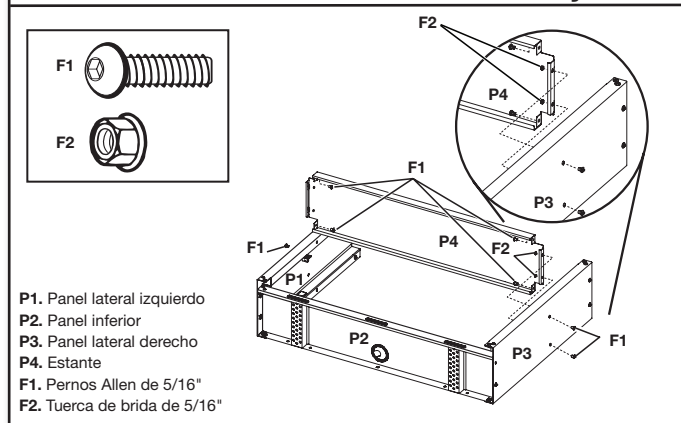
NOTA: Habrá un espacio entre el borde superior del panel lateral izquierdo (P1) y el borde frontal del panel inferior (P2).

Con el borde del soporte del cable mirando hacia arriba, ubique el panel lateral derecho (P3) de manera que el panel inferior (P2) esté entre los bordes del panel lateral derecho (P3).

Alinee los orificios del panel lateral derecho (P3) con los orificios que están en la parte posterior y los bordes laterales del panel inferior (P2).

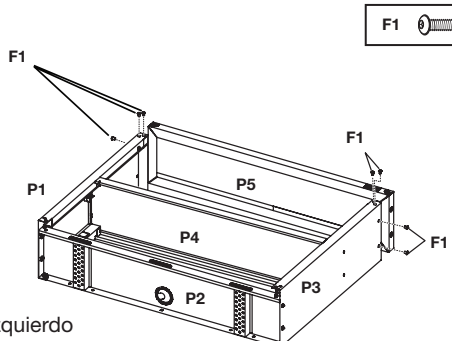
NOTA: Habrá un espacio entre el borde superior del panel lateral derecho (P3) y el borde frontal del panel inferior de la estación de trabajo (P2).

2. Estante de la estación de trabajo



Alinee los orificios de los extremos del estante (P4) con los orificios de ambos paneles laterales (P1 y P3). Inserte dos pernos Allen de 5/16" (F1) a través de cada panel lateral (P1 y P3) y dentro del estante (P4). Sujételos con dos tuercas de brida de 5/16" (F2). Inserte otros dos pernos Allen de 5/16" (F1) a través del reborde debajo del estante (P4) y dentro de cada panel lateral (P1 y P3).

3. Parte superior de la estación de trabajo



- P1. Panel lateral izquierdo
- P2. Panel inferior
- P3. Panel lateral derecho
- P4. Estante
- P5. Panel superior
- F1. Perno Allen de 5/16"

Inserte el panel superior (P5), entre los bordes de los lados (P1 y P3) y alinee los orificios.

Fije el panel superior (P5) a ambos paneles laterales (P1 y P3).

Si lo va a montar en una pared estándar

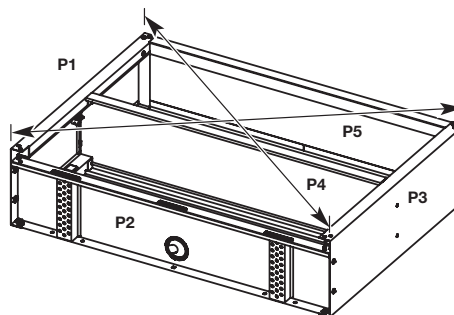
- Use seis pernos Allen por cada lado para fijar el panel superior (P5) a los paneles laterales (P1 y P3). No ajuste los pernos por completo.

Si el montaje se hace en paneles Gladiator® GearWall® o canales GearTrack®

- Omite los cuatro pernos que sujetan las esquinas posteriores. Use cuatro pernos Allen por cada lado como se muestra. No ajuste los pernos por completo.

NOTA: El reverso del panel superior (P5) estará sujeto a los paneles laterales (P1 y P3) cuando se fije el soporte superior GearTrack®/GearWall® (P6).

4. Marco cuadrado de la estación de trabajo



- P1. Panel lateral izquierdo
- P2. Panel inferior
- P3. Panel lateral derecho
- P4. Estante
- P5. Panel superior

Las medidas deberán tener la misma distancia de una esquina a la otra. Ajuste los pernos por completo con la llave Allen (proporcionada). Mida nuevamente el marco para asegurarse de que todavía está a escuadra.

INSTRUCCIONES DE INSTALACIÓN

⚠ ADVERTENCIA

Peligro de Peso Excesivo

Use dos o más personas para mover la estantería.

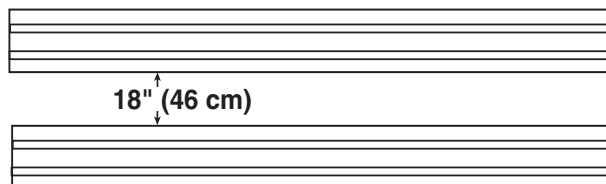
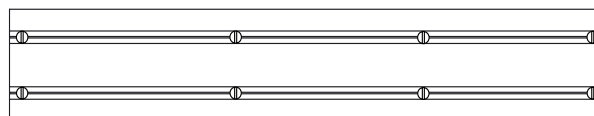
No seguir esta instrucción puede ocasionar una lesión en la espalda u otro tipo de lesiones.

IMPORTANTE: Decida si va a instalar la estación de trabajo sobre los paneles Gladiator® GearWall®, los canales GearTrack® o sobre una pared estándar del garaje. Siga las instrucciones para la instalación.

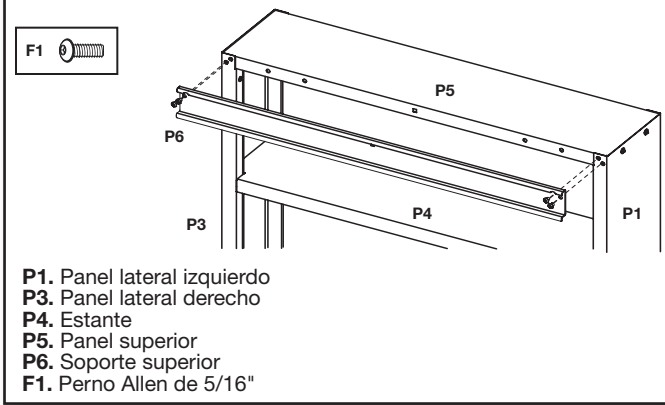
Instale la estación de trabajo en los paneles GearWall® o en los canales GearTrack®

IMPORTANTE:

- Asegúrese de que los paneles GearWall® o los canales GearTrack® estén instalados con tornillos de montaje en cada ranura y en cada ubicación de los montantes con una distancia máxima horizontal de 24" (60,96 cm) entre los tornillos.
- Si va a instalar la estación de trabajo sobre un canal GearTrack®, deberá usar dos canales que estén instalados a una distancia de 18" (46 cm) entre ellos.

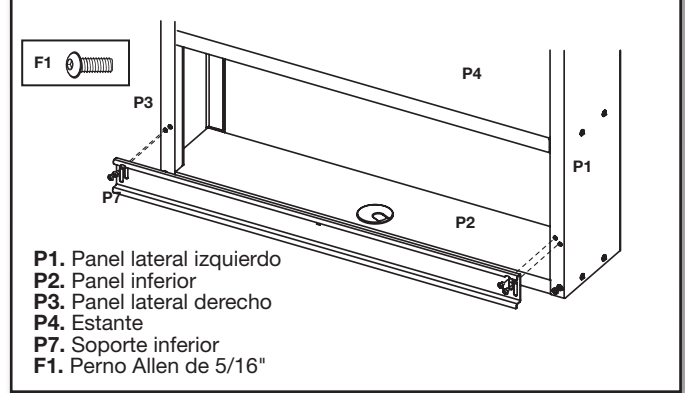


1. Fije el soporte de montaje superior



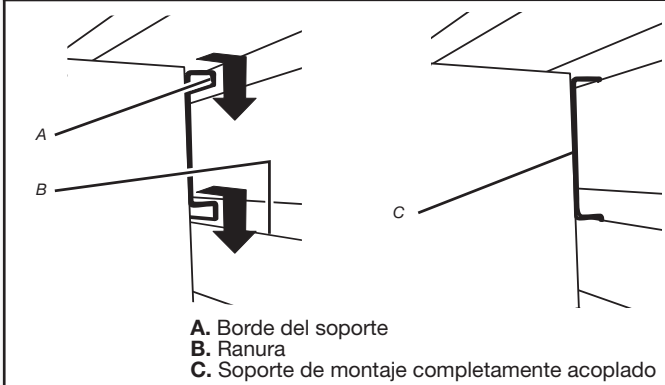
Trabajando desde la parte posterior con los bordes del soporte de montaje mirando hacia abajo, alinee los dos orificios en cada esquina del soporte superior GearTrack®/GearWall® (P6) con los dos orificios que están en cada esquina del panel superior (P5). Inserte cuatro pernos Allen (F1) a través del soporte superior GearTrack®/GearWall® (P6) y dentro del panel superior (P5). Ajuste los pernos por completo.

2. Fije el soporte de montaje inferior



Trabajando desde la parte posterior con los bordes del soporte de montaje mirando hacia abajo, alinee las dos ranuras que están a cada lado del soporte inferior GearTrack®/GearWall® (P7) con las ranuras que están en cada panel lateral (P1 y P3). Inserte cuatro pernos Allen (F1) a través del soporte (P7) y dentro de los paneles laterales (P1 y P3). Asegúrese de que la distancia desde la parte superior del soporte superior hasta la parte superior del soporte inferior sea de 24" (60,96 cm) en ambos lados. Ajuste los pernos por completo.

3. Montaje en paneles GearWall® o canales GearTrack®



Determine la ubicación para el montaje de la estación de trabajo en paneles GearWall® o en canales GearTrack®. Con la ayuda de dos o más personas, acople los soportes de montaje en las ranuras de la pared levantando y empujando hacia la pared, y luego bajando los bordes de los soportes dentro de las ranuras. Inspeccione la estación de trabajo de ambos lados para asegurarse de que el soporte de montaje de la pared esté acoplado completamente en las ranuras como se muestra.

NOTA: Las ranuras del soporte inferior permiten realizar ajustes para sistemas GearTrack® o para variaciones de GearWall®.

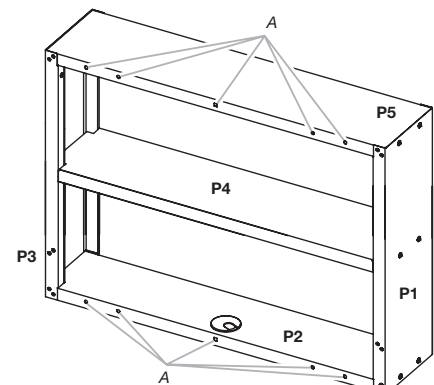
INSTALACIÓN ADICIONAL DE LA ESTACIÓN DE TRABAJO: CON MONTAJE DIRECTAMENTE EN UNA PARED

Piezas y herramientas necesarias:

- Llave de cubo con extensión de 2"
- Llave de cubo de 1/2"
- Tirafondos de 5/16" x 1 1/2" (6)
- Arandelas planas de 5/16" (6)

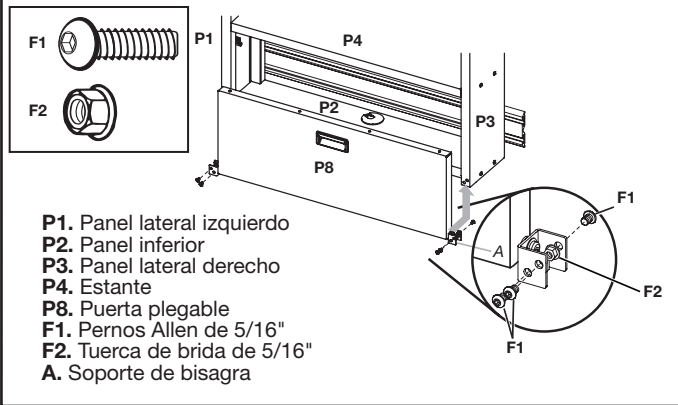
IMPORTANTE: Los orificios del panel superior (P5) y del panel inferior (P2) están espaciados para permitirle montar la estación de trabajo en los montantes de la pared de su garaje.

- Ubique los montantes de madera en la pared de su garaje. Alinee tres orificios arriba y tres orificios abajo con los montantes de madera y marque la ubicación de los orificios.
- Mientras dos o más personas sostienen la estación de trabajo contra la pared, sujete la estación de trabajo a la pared del garaje usando arandelas planas de 5/16" y tirafondos de 5/16" x 1 1/2" (no proporcionados).
- Use una llave de cubo de 1/2" para ajustar completamente los tornillos.



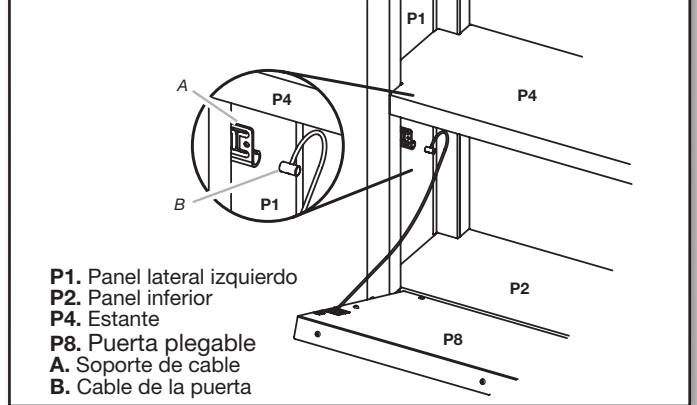
A. Orificios para el montaje en pared estándar

4. Fije la puerta plegable



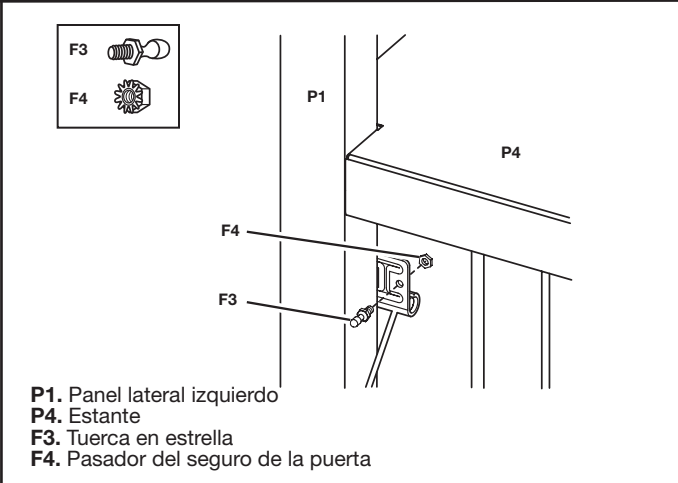
Inserte los soportes de la bisagra de la puerta plegable (P8) en la parte inferior del marco de la estación de trabajo como se muestra. Mientras una persona sostiene la puerta plegable (P8) en su lugar, alinee los orificios de las esquinas inferiores de la puerta plegable (P8) con los orificios de la esquina de los lados de la estación de trabajo (P1 y P3). Sujételos con dos pernos Allen (F1) en cada esquina. Inserte otro perno Allen de 5/16" (F1) a través de la parte de abajo del panel inferior (P2) y dentro del orificio alargado en la parte de atrás de cada soporte de bisagra. Sujete cada perno con una tuerca de brida de 5/16" (F2) como se muestra.

5. Fije los cables de la puerta



Coloque el cable de la puerta plegadiza (P8) dentro de la ranura que está en la parte inferior de cada soporte del cable (uno a cada lado) como se muestra. Tire del cable hacia abajo hasta que quede encajado con firmeza en la ranura.

6. Fije los pasadores del seguro de la puerta



Inserte los pasadores del seguro de la puerta (F3) en los orificios de los soportes del cable y sujételos con las tuercas en estrella (F4) como se muestra.

Cierre la puerta.

Ajuste todos los pernos por completo con la llave Allen (proporcionada).

Cómo registrar el producto

Registrar el producto ofrece muchos beneficios. Obtenga más información y registre el producto en línea en:

www.gladiatorgarageworks.com.

Los consumidores en Canadá pueden llamar al 1-800-807-6777.

GARANTÍA DE LA ESTACIÓN DE TRABAJO PLEGABLE DE GLADIATOR®

ADJUNTE SU RECIBO AQUÍ. SE REQUIERE UN COMPROBANTE DE COMPRA PARA OBTENER SERVICIO BAJO LA GARANTÍA.

Tenga disponible la siguiente información cuando llame al Customer eXperience Center:

- Nombre, dirección y número de teléfono
- Número de modelo y de serie
- Una descripción clara y detallada del problema
- Comprobante de compra que incluya nombre y dirección del distribuidor o minorista

SI NECESITA SERVICIO:

1. Antes de contactarnos para organizar la visita del servicio técnico, determine si su producto requiere reparación. Algunas cuestiones pueden resolverse sin servicio técnico. Tómese unos minutos para revisar las instrucciones o visite www.gladiatorgarageworks.com.
2. Todo servicio de garantía es proporcionado exclusivamente por nuestros Proveedores de Servicio Técnico autorizados de Gladiator. En EE. UU. y Canadá, dirija todas las solicitudes de servicio técnico dentro de la garantía a:

Customer eXperience Center de Gladiator

En los EE. UU., llame al 1-866-342-4089. En Canadá, llame al 1-800-807-6777.

Si usted se encuentra fuera de los 50 estados de Estados Unidos o de Canadá, póngase en contacto con su distribuidor autorizado de Gladiator para determinar si corresponde otra garantía.

GARANTÍA LIMITADA DE DIEZ AÑOS (SOLO PIEZAS)

QUÉ ESTÁ CUBIERTO

GARANTÍA LIMITADA DE DIEZ AÑOS (SOLO PARA EL PRODUCTO, NO SE INCLUYE LA MANO DE OBRA)

Durante diez años a partir de la fecha de compra original, cuando este producto se instale, opere y mantenga de acuerdo con las instrucciones adjuntas o provistas con el producto, Gladiator® GarageWorks pagará por las piezas de repuesto especificadas de fábrica para corregir defectos no estéticos en los materiales o la mano de obra en esta pieza que impidan el funcionamiento de la estación de trabajo plegable y que hayan existido al momento de la compra de este producto. Esta garantía limitada de 10 años es solamente para el producto y no incluye la mano de obra.

SU ÚNICO Y EXCLUSIVO RECURSO SEGÚN LOS TÉRMINOS DE ESTA GARANTÍA LIMITADA SERÁ EL REEMPLAZO DEL PRODUCTO O LAS PIEZAS A NUESTRO CRITERIO SEGÚN SE ESTIPULA EN LA PRESENTE. El servicio debe ser suministrado por un proveedor de servicio autorizado por Gladiator. Esta garantía limitada es válida solo en los Estados Unidos o el Canadá, y se aplica únicamente cuando el producto se use en el país en el que se compró. Esta garantía limitada está en vigencia a partir de la fecha de la compra del consumidor original. Se requiere una prueba de la fecha de compra original para obtener servicio bajo esta garantía limitada.

QUÉ NO ESTÁ CUBIERTO

1. Las visitas de servicio técnico para corregir la instalación de cualquier producto Gladiator o para darle instrucciones sobre el modo de usarlo o instalarlo.
2. Daños causados por mal manejo o envío de productos, productos dañados por accidente, uso indebido, abuso, incendio, inundación, instalación incorrecta, actos fortuitos, negligencia, corrosión, modificación o maltrato.
3. Costo de envío o flete para entregar productos de repuesto o para devolver productos defectuosos.
4. Reparaciones o reemplazo cuando su producto ha sido empleado para fines ajenos al uso doméstico normal de una familia, tal como uso en un lugar comercial, o cuando se haya tratado de alguna manera en contra de las instrucciones de instalación incluidas con el producto.
5. Daños estéticos incluyendo rayaduras, golpes, abolladuras o rajaduras que no afecten la capacidad estructural o de funcionamiento del producto.
6. Piezas o productos de repuesto para los productos Gladiator que se empleen fuera de los Estados Unidos y Canadá.
7. En Canadá, gastos de viaje o de transporte para clientes que residen en áreas remotas.
8. Cualquier gasto de mano de obra durante el período de la garantía limitada.
9. Los daños resultantes de una carga inadecuada superior a la capacidad del peso máximo especificado indicado en las instrucciones de ensamblaje proporcionadas con el producto.
10. Superficies dañadas debido a la interacción química lo que da como resultado la corrosión de pintura o metal.

El costo de la reparación o el reemplazo bajo estas circunstancias excluidas correrá por cuenta del cliente.

EXCLUSIÓN DE GARANTÍAS IMPLÍCITAS; LIMITACIÓN DE RECURSOS

LAS GARANTÍAS IMPLÍCITAS, INCLUIDAS EN LA MEDIDA QUE CORRESPONDA LAS GARANTÍAS DE COMERCIABILIDAD O DE IDONEIDAD PARA UN PROPÓSITO PARTICULAR, QUEDAN EXCLUIDAS EN LA MEDIDA EN QUE ESTÉ PERMITIDO POR LEY. TODA GARANTÍA IMPLÍCITA QUE SEA IMPUESTA POR LEY SERÁ LIMITADA A UN AÑO O AL PERÍODO MÁS CORTO PERMITIDO POR LEY. ALGUNOS ESTADOS Y PROVINCIAS NO PERMITEN LAS LIMITACIONES O EXCLUSIONES ACERCA DE CUÁNTO DEBE DURAR UNA GARANTÍA IMPLÍCITA DE COMERCIABILIDAD O DE IDONEIDAD, DE MODO QUE LAS LIMITACIONES O EXCLUSIONES ARRIBA MENCIONADAS PUEDEN NO APLICARSE EN SU CASO. ESTA GARANTÍA LE OTORGA DERECHOS LEGALES ESPECÍFICOS Y ES POSIBLE QUE USTED TENGA TAMBIÉN OTROS DERECHOS QUE PUEDEN VARIAR DE UN ESTADO A OTRO O DE UNA PROVINCIA A OTRA.

Esta garantía no tiene vigor fuera de los 50 estados de los Estados Unidos y del Canadá. Póngase en contacto con su distribuidor autorizado Gladiator para determinar si corresponde otra garantía.

Si necesita servicio, llame al Customer eXperience Center de Gladiator, al **1-866-342-4089** (gratuito) desde cualquier lugar de los EE.UU. En Canadá, póngase en contacto con su compañía de servicio designada de Whirlpool Canada LP o llame al **1-800-807-6777**.

En los Estados Unidos, Gladiator significa Whirlpool Corporation, Benton Harbor, Michigan 49022. En Canadá, Gladiator significa Whirlpool Canada LP, Mississauga, ON L5N 3A7.

Guarde este libro y su comprobante de compra juntos para referencia futura. Deberá proporcionar el comprobante de la compra o la fecha de instalación para obtener servicio técnico bajo la garantía.

Anote la siguiente información acerca de la estación de trabajo plegable para ayudarle a obtener asistencia o servicio técnico de manera más eficiente, si llegara a necesitarlo. Deberá tener a mano el número completo del modelo y la serie. Usted puede encontrar esta información en la etiqueta con el número de modelo y serie que está ubicada en la parte posterior del producto.

Nombre del distribuidor _____

Dirección _____

Número de teléfono _____

Número de modelo _____

Número de serie _____

Fecha de compra _____

NOTES

NOTES

