



# STEEL WALL GEARBOX CABINET

Assembly Instructions

# ARMARIO DE PARED DE ACERO PARA HERRAMIENTAS

Instrucciones de ensamblaje

# ARMOIRE À OUTILS MURALE EN ACIER

Instructions d'assemblage

## TABLE OF CONTENTS/ÍNDICE/TABLE DES MATIÈRES

<b>CABINET/LOCKER SAFETY</b> .....	<b>2</b>	<b>SEGURIDAD DEL ARMARIO</b> .....	<b>8</b>	<b>SÉCURITÉ DE L'ARMOIRE</b> .....	<b>14</b>
<b>PARTS</b> .....	<b>2</b>	<b>PIEZAS</b> .....	<b>8</b>	<b>PIÈCES</b> .....	<b>14</b>
<b>ASSEMBLY INSTRUCTIONS</b> .....	<b>3</b>	<b>INSTRUCCIONES DE ENSAMBLAJE</b> .....	<b>9</b>	<b>INSTRUCTIONS D'ASSEMBLAGE</b> .....	<b>15</b>
Cabinet Use Requirements.....	3	Requisitos de uso del armario.....	9	Spécifications d'utilisation de l'armoire ....	15
Unpack Cabinet Parts.....	3	Desempaquet de las piezas del armario .....	9	Déballage des composants de l'armoire ..	15
Assemble Cabinet Frame .....	3	Ensamble del armario.....	9	Assemblage de la caisse de l'armoire .....	15
Attach Back Panels.....	3	Fijación de los paneles posteriores.....	9	Fixation des panneaux arrière .....	15
Install Shelves .....	4	Instalación de los estantes .....	10	Installation des étagères.....	16
Install Doors .....	4	Instalación de las puertas.....	11	Installation des portes .....	17
<b>INSTALLATION INSTRUCTIONS</b> .....	<b>5</b>	<b>INSTRUCCIONES DE INSTALACIÓN</b> .....	<b>11</b>	<b>INSTRUCTIONS D'INSTALLATION</b> .....	<b>17</b>
Install Cabinet to GearWall® Panels		Instalación del armario a los paneles		Installation de l'armoire sur des panneaux	
or GearTrack® Channels .....	5	GearWall® o a los canales GearTrack® .....	11	GearWall® ou des profilés GearTrack® .....	17
Standard Wall Mount .....	6	Montaje en pared estándar .....	12	Montage mural standard .....	18
<b>WARRANTY</b> .....	<b>7</b>	<b>GARANTÍA</b> .....	<b>13</b>	<b>GARANTIE</b> .....	<b>19</b>

IT'S TIME TO RETHINK THE GARAGE.®  
 ES TIEMPO DE VOLVER A PENSAR EN EL GARAGE.™  
 LE GARAGE REPENSÉ.™

# CABINET/LOCKER SAFETY

## Your safety and the safety of others are very important.

We have provided many important safety messages in this manual and on your appliance. Always read and obey all safety messages.



This is the safety alert symbol.

This symbol alerts you to potential hazards that can kill or hurt you and others.

All safety messages will follow the safety alert symbol and either the word "DANGER" or "WARNING."

These words mean:

**⚠ DANGER**

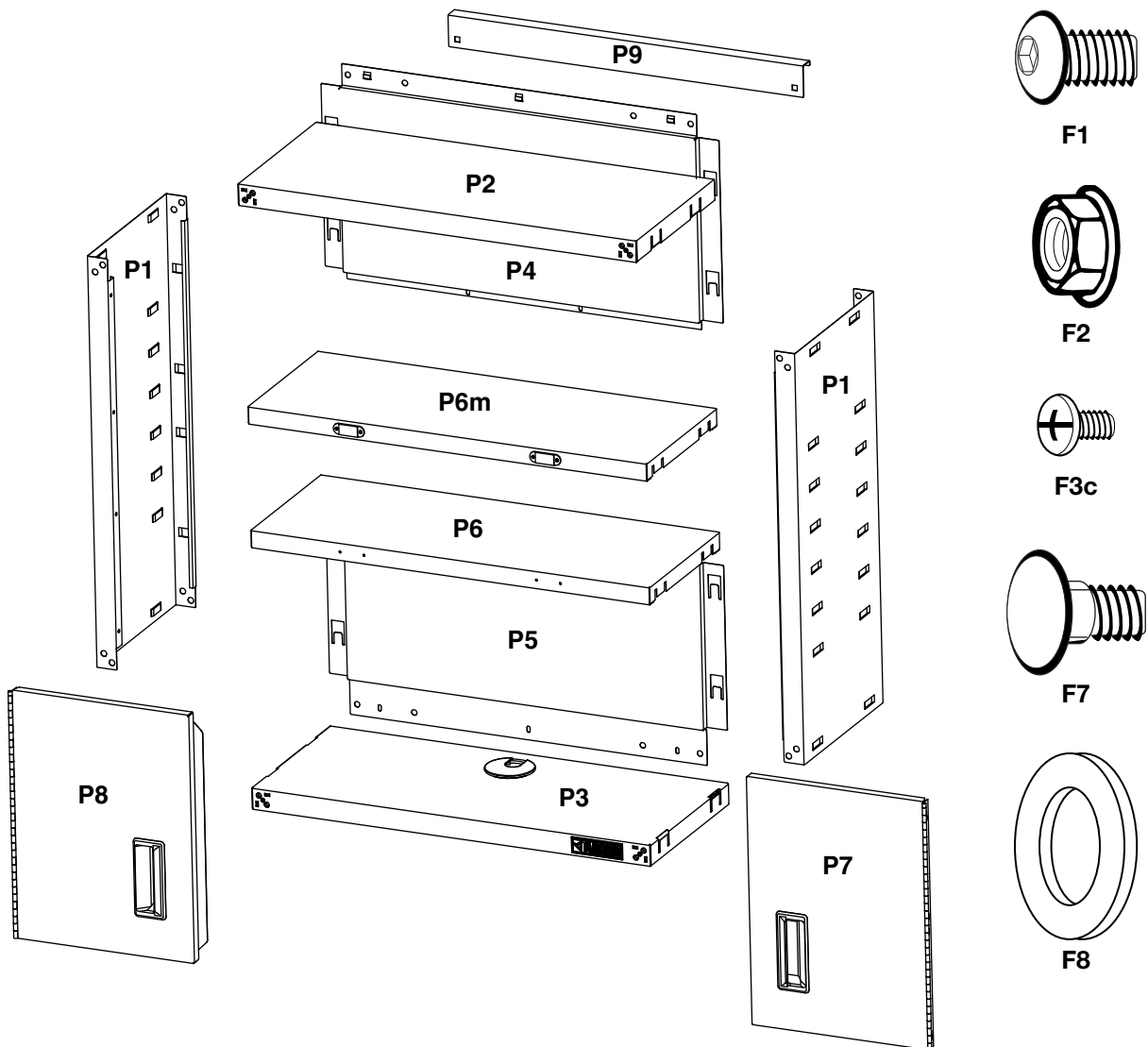
You can be killed or seriously injured if you don't immediately follow instructions.

**⚠ WARNING**

You can be killed or seriously injured if you don't follow instructions.

All safety messages will tell you what the potential hazard is, tell you how to reduce the chance of injury, and tell you what can happen if the instructions are not followed.

## PARTS



P6 Shelf (available on some models)

# ASSEMBLY INSTRUCTIONS

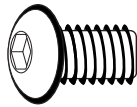
## Cabinet Use Requirements

- Intended for use in a garage
- Maximum weight limit is 40 lbs (18 kg) for each shelf.
- Maximum weight limit is 150 lbs (68 kg) for the cabinet.

## Unpack Cabinet Parts

1. Remove and verify the contents. Contents include a hex key and the parts and fasteners shown in "Parts."
2. Dispose of/recycle all packaging materials.

## Assemble Cabinet Frame



F1

F1. 5/16" hex-head bolts (16)

Gather the required tools before starting installation.

### Tools Needed

- 1/2" wrench
- Phillips screwdriver

### Tools Supplied

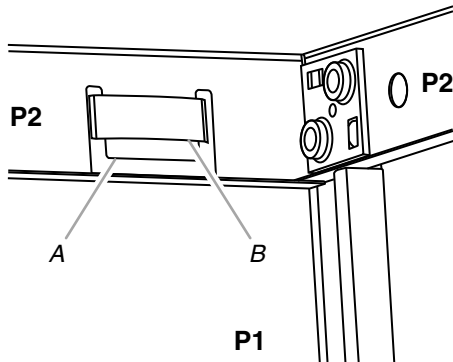
- Hex key

### IMPORTANT:

- Two people may be required to complete the assembly.
- The cabinet top (P2) is intentionally designed so that the tabs will only match with the loops on the sides when it is positioned correctly. If the tabs on the cabinet top do not match up with the loops on the side panel (P1), turn the cabinet top around.

1. Place side panel (P1) on a flat, firm surface so that the edge with the loops is facing up.
2. Align the tabs in the cabinet top (P2) with the loops in the cabinet side (P1). Slide the cabinet top between the edges of side panel.

**NOTE:** Check that each tab is inserted fully behind the loop.

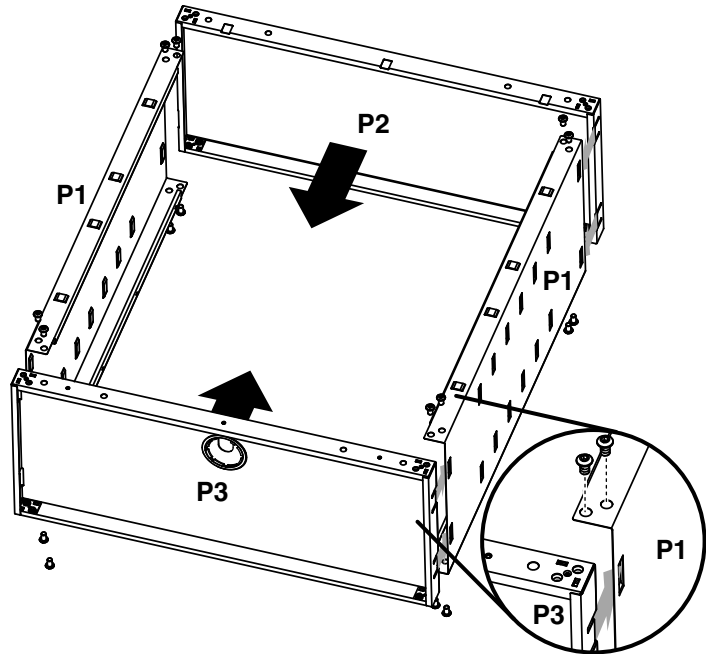


A. Tab  
B. Loop

3. Align the 2 holes in each corner. Using hex-head bolts (F1), fasten the side panel (P1) to the cabinet top (P2) as shown. Do not tighten completely.
4. Repeat steps 2 and 3 for the other cabinet side (P1).
5. With the smooth side toward the cabinet interior, align the 4 tabs in the cabinet bottom (P3) with the loops in the cabinet sides (P1). Slide the cabinet bottom between the edges of side panels.

**NOTE:** Check that each tab is fully inserted behind the loop.

6. Align the 2 holes in each corner. Using hex-head bolts (F1), fasten the side panels (P1) to the cabinet bottom (P3) as shown. Do not tighten completely.



## Attach Back Panels

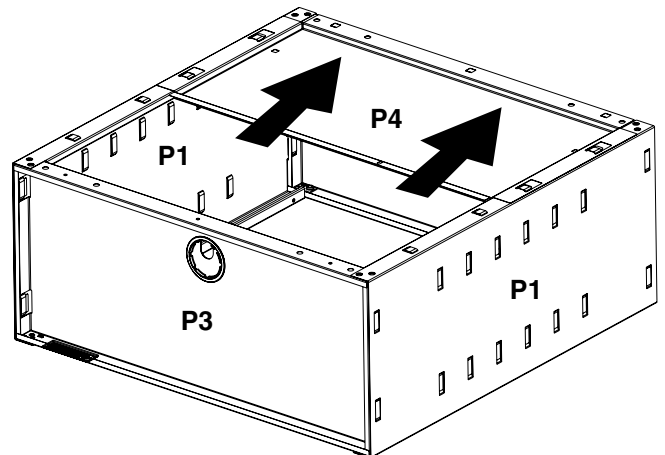


F3c

F3c. Phillips-head screws (5)

1. Align the 7 tabs in the upper back panel (P4) with the loops in the cabinet top (P2) and cabinet sides (P1).
2. Slide the upper back panel (P4) toward the cabinet top (P2) until the upper back panel is firmly in place.

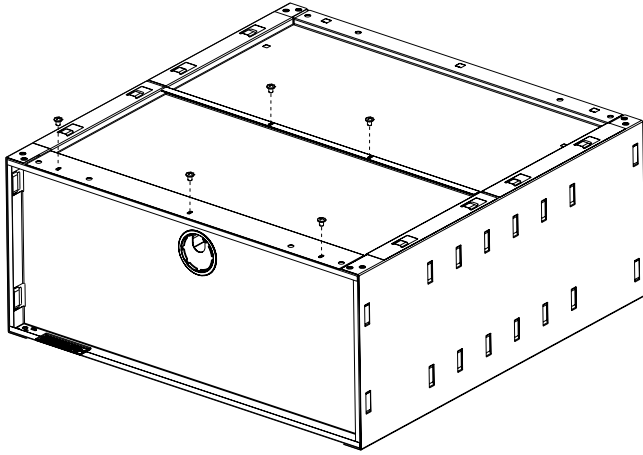
**NOTE:** Check that each tab is inserted fully behind the loop as shown.



3. Align the 4 side tabs on the lower back panel (P5) with the loops in the cabinet sides (P1).
4. Slide the lower back panel (P5) upward until the top of the lower back panel is under the upper back panel (P4).

**NOTE:** The upper back panel will slightly overlap the lower back panel.

- Using Phillips-head screws (F3c), fasten the upper back panel (P4) to the lower back panel (P5) and the lower back panel to the cabinet bottom (P3).



- Tighten all back panel screws completely.
- Starting with the front of the cabinet, and using the Allen wrench (provided), tighten all of the bolts completely.

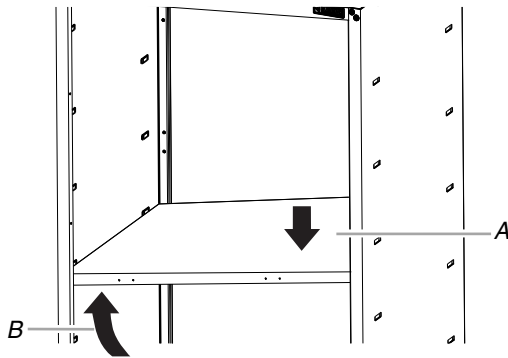
## Install Shelves

**NOTE:** Some models do not have P6 shelf.

Plan your shelf heights and install the shelf or 2 shelves (P6 and P6m, depending on model) starting from the bottom. The shelves are supported by the metal loops on the side walls of the cabinet.

- Determine the placement of the 2 shelves (P6-1 shelf without magnets (on some models), P6m-1 shelf with magnets).
- Place the shelf in the cabinet so that the long edge with the holes (P6) or the long edge with the magnets (P6m) is toward the front of the cabinet.
- Tilt the shelf so that one end is higher than the other as shown.
 

**NOTE:** The higher end of the shelf should be directly above the cabinet loop at the desired height.

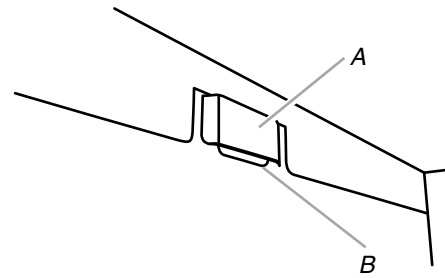


A. Push down  
B. Lift up

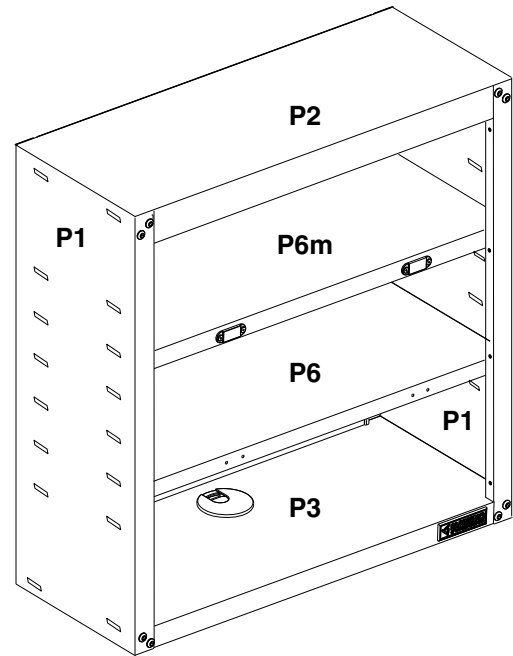
- Push the shelf edge down so that the shelf tabs go into the cabinet loops.
- Lift up on the lower end of the shelf so that it is above the desired cabinet loop and push the shelf down into place.
 

**NOTE:** Check that the shelf tabs are in place behind all the cabinet loops as shown.

- Repeat steps 2 through 5 to install the other shelf, if needed.



A. Cabinet loop  
B. Shelf tab



P6 Shelf (available on some models)

## Install Doors



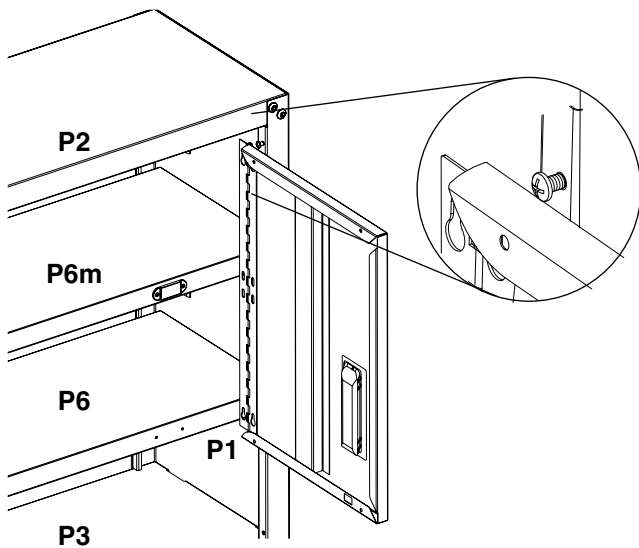
F3c

F3c. Phillips-head screw (6)

The door hinges are designed with keyhole slots at the top and bottom so the door will hang on the cabinet while you are fastening the screws.

- Start Phillips-head screws (F3c) in both the top and bottom holes on each side of the cabinet.
- Hang the right-hand side door (P7) from the top and bottom screws, and hand tighten.

3. Insert the middle screw through the door hinge into the cabinet and hand tighten.



**P6 Shelf (available on some models)**

4. Repeat steps 2 and 3 to attach the left-hand door (P8).
5. Align the doors and tighten the screws completely.

## INSTALLATION INSTRUCTIONS

### **⚠ WARNING**

#### **Excessive Weight Hazard**

**Use two or more people to move, assemble or install cabinet.**

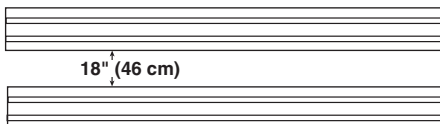
**Failure to do so can result in back or other injury.**

**IMPORTANT:** The cabinet can be mounted to Gladiator® GearWall® panels, GearTrack® channels or directly to a standard wall as described below. Follow the instructions that apply to your installation.

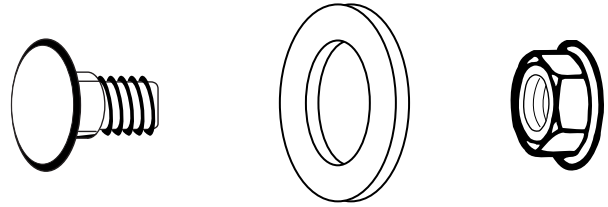
### Install Cabinet to GearWall® Panels or GearTrack® Channels

**IMPORTANT:**

- Be sure the GearWall® panels or GearTrack® channels are installed with mounting screws in every slot and at every stud location with a maximum of 24" (60.96 cm) horizontally between screws.
- If you are mounting the cabinet on GearTrack® channel, a second channel should be installed 18" (46 cm) below the bottom of the supporting channel so the cabinet will hang level.



### Attach Mounting Bracket



**F7**

**F8**

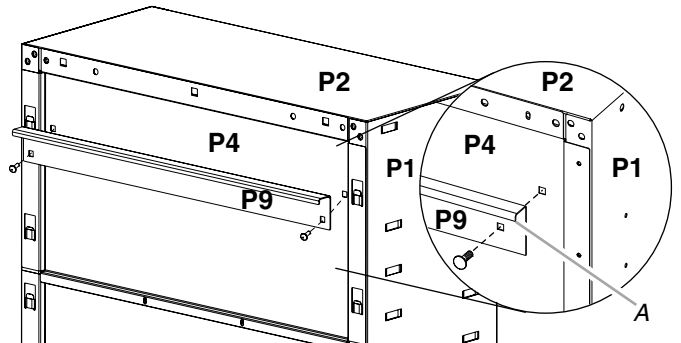
**F2**

F7. Carriage-head bolt (2)

F2. 5/16" Flange nut (2)

F8. Washer (2)

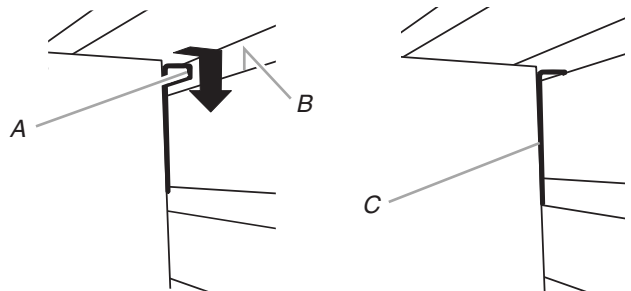
1. With the mounting bracket (P9) rim pointing down, align the 2 bracket holes with the two holes in the top back panel (P4).
2. Working from the back, insert 2 carriage bolts (F7) through the bracket and top back panel (P4).
3. Working from the cabinet interior, fasten each bolt with a washer (F8) and a flange nut (F2). Tighten the bolts completely.
4. Close the cabinet doors.



*A. Bracket rim pointing down*

### Mount on GearWall® Panel or GearTrack® Channel

1. Determine the cabinet mounting location on GearWall® panels or GearTrack® channels.
2. Using 2 or more people, engage the mounting bracket into the wall slot by lifting up, pushing toward the wall and lowering the bracket rim into the slot.
3. Inspect the cabinet from the sides to ensure the wall-mounting bracket is fully engaged in the slot as shown.



*A. Bracket rim  
B. Slot*

*C. Mounting bracket  
fully engaged*

---

## Standard Wall Mount

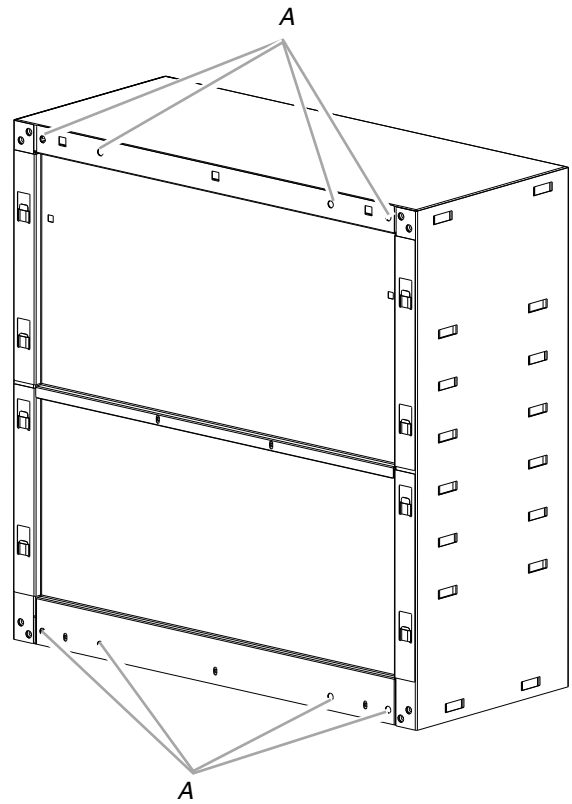
### Tools and Parts Needed

- Wrench
- $\frac{5}{16}$ " x  $1\frac{1}{2}$ " lag screws (4)
- $\frac{5}{16}$ " flat washers (4)

**IMPORTANT:** The round holes in the top and bottom cabinet back panels are spaced to allow you to mount the wall cabinet to your garage wall studs.

1. Locate the wood studs in your garage wall. Align 2 holes at the top and 2 holes at the bottom with the wood studs, and mark the location of the holes.
2. While 2 or more people hold the cabinet against the wall, attach the wall cabinet to the garage wall using  $\frac{5}{16}$ " flat washers and  $\frac{5}{16}$ " x  $1\frac{1}{2}$ " lag screws (not provided).

3. Using a wrench, tighten the screws completely.



A. Holes for standard wall mounting

---

# GLADIATOR® GARAGEWORKS 10 YEAR LIMITED WARRANTY

---

For ten years from the original date of purchase, when this product is installed, operated and maintained according to the instructions attached to or furnished with the product, Gladiator® GarageWorks brand of Whirlpool Corporation or Whirlpool Canada, LP (hereafter "Gladiator"), at its sole discretion, will replace the defective product or provide factory specified replacement parts with identical or similar item(s) to correct defects in materials or workmanship that existed when the product was purchased. If replaced, the product will be covered under the remaining ten-year limited warranty of the original unit.

YOUR SOLE AND EXCLUSIVE REMEDY UNDER THIS LIMITED WARRANTY SHALL BE PRODUCT OR PART REPLACEMENT AT OUR DISCRETION AS PROVIDED HEREIN. Warranty service may only be arranged by contacting the Gladiator Customer eXperience Center. This limited warranty is valid in the United States or Canada and applies only when the product is used in the country in which it was purchased. This limited warranty is effective from the date of the original consumer purchase. Warranty coverage is not transferable and proof of original purchase date is required to obtain replacement parts or product under this limited warranty.

---

## ITEMS EXCLUDED FROM WARRANTY

**This limited warranty does not cover:**

1. Service calls to correct the installation of any Gladiator® products or to instruct you on how to use or install them.
2. Damage resulting from improper handling or shipping of products, or products damaged by accident, misuse, abuse, fire, flood, improper installation, acts of God, neglect, corrosion, modification or mishandling.
3. Shipping or freight fees to deliver replacement products or to return defective products.
4. Factory specified replacement parts or product when your product is used in other than normal, single-family household use, such as a commercial environment or handled in any way inconsistent with the installation instructions included with the product.
5. Cosmetic damage including scratches, dings, dents or cracks that do not affect the structural or functional capability of the product.
6. Replacement parts or product for Gladiator® products used or installed outside the United States or Canada.
7. Travel or transportation expenses for customers who reside in remote areas.
8. Any labor costs during the limited warranty period.
9. Damage resulting from improper loading beyond the specified maximum weight capacity outlined in the assembly instructions provided with the product, including overloading of hooks, baskets, shelves, cabinets, and other Gladiator® accessories used with the product.
10. Product damage due to prolonged exposure to sunlight resulting in warping, fading, discoloration, cracking or peeling or product damage due to chemical interaction resulting in corrosion of paint or metal.
11. Replacement keys or locking mechanism.
12. Loss of product contents due to theft, fire, flood, accident or acts of God.

**The cost of repair or replacement under these excluded circumstances shall be borne by the customer.**

---

## DISCLAIMER OF IMPLIED WARRANTIES

IMPLIED WARRANTIES, INCLUDING ANY IMPLIED WARRANTY OF MERCHANTABILITY OR IMPLIED WARRANTY OF FITNESS FOR A PARTICULAR PURPOSE, ARE LIMITED TO ONE YEAR OR THE SHORTEST PERIOD ALLOWED BY LAW. Some states and provinces do not allow limitations on the duration of implied warranties of merchantability or fitness, so this limitation may not apply to you. This warranty gives you specific legal rights, and you also may have other rights that vary from state to state or province to province.

---

## LIMITATION OF REMEDIES; EXCLUSION OF INCIDENTAL AND CONSEQUENTIAL DAMAGES

YOUR SOLE AND EXCLUSIVE REMEDY UNDER THIS LIMITED WARRANTY SHALL BE PRODUCT REPAIR AS PROVIDED HEREIN. GLADIATOR® GARAGEWORKS SHALL NOT BE LIABLE FOR INCIDENTAL OR CONSEQUENTIAL DAMAGES. Some states and provinces do not allow the exclusion or limitation of incidental or consequential damages, so these limitations and exclusions may not apply to you. This warranty gives you specific legal rights, and you also may have other rights that vary from state to state or province to province.

---

Outside the 50 United States and Canada, this warranty does not apply. Contact your authorized Gladiator® GarageWorks dealer to determine if another warranty applies.

If you need service, call the Gladiator® GarageWorks Customer eXperience Center, **1-866-342-4089** (toll-free), from anywhere in the U.S.A. In Canada, contact your Whirlpool Canada LP designated service company or call **1-800-807-6777**.

In the United States, Gladiator® GarageWorks means Whirlpool Corporation, Benton Harbor, Michigan 49022. In Canada, Gladiator® GarageWorks means Whirlpool Canada LP, Mississauga, ON L5N 3A7.

7/13

**Keep this book and your sales slip together for future reference. You must provide proof of purchase or installation date for in-warranty service.**

Write down the following information about your Gladiator® product to better help you obtain assistance or service if you ever need it. You will need to know your complete model number and serial number. You can find this information on the model and serial label located on the back of the product.

Dealer name \_\_\_\_\_  
Address \_\_\_\_\_  
Phone number \_\_\_\_\_  
Model number \_\_\_\_\_  
Serial number \_\_\_\_\_  
Purchase date \_\_\_\_\_

# SEGURIDAD DEL ARMARIO

## Su seguridad y la seguridad de los demás es muy importante.

Hemos incluido muchos mensajes importantes de seguridad en este manual y en su electrodoméstico. Lea y obedezca siempre todos los mensajes de seguridad.



Este es el símbolo de advertencia de seguridad.

Este símbolo le llama la atención sobre peligros potenciales que pueden ocasionar la muerte o una lesión a usted y a los demás.

Todos los mensajes de seguridad irán a continuación del símbolo de advertencia de seguridad y de la palabra "PELIGRO" o "ADVERTENCIA". Estas palabras significan:

**⚠ PELIGRO**

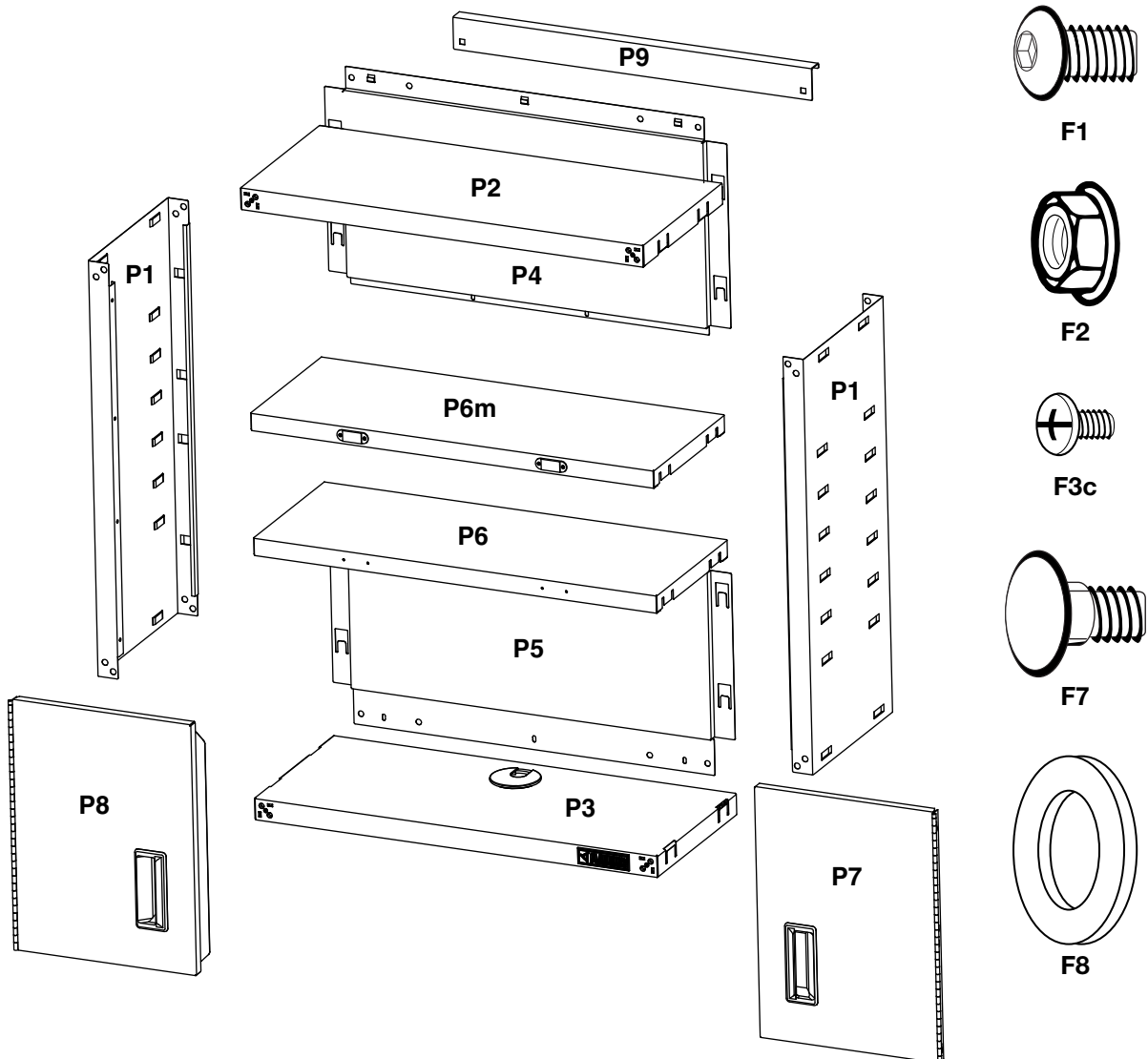
Si no sigue las instrucciones de inmediato, usted puede morir o sufrir una lesión grave.

**⚠ ADVERTENCIA**

Si no sigue las instrucciones, usted puede morir o sufrir una lesión grave.

Todos los mensajes de seguridad le dirán el peligro potencial, le dirán cómo reducir las posibilidades de sufrir una lesión y lo que puede suceder si no se siguen las instrucciones.

## PIEZAS



Estante P6 (disponible en algunos modelos)



# INSTRUCCIONES DE ENSAMBLAJE

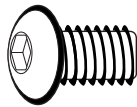
## Requisitos de uso del armario

- Diseñado para usarse en un garage
- El límite de peso máximo es de 40 lbs (18 kg) para cada estante.
- El límite de peso máximo es de 150 lbs (68 kg) para el armario.

## Desempaquete de las piezas del armario

1. Quite y verifique el contenido. Se incluye una llave hexagonal en L y las piezas y los sujetadores que se muestran en "Piezas".
2. Deshágase de todos los materiales de embalaje o reciclelos.

## Ensamble del armario



F1

F1. Pernos de cabeza hexagonal de 5/16" (16)

Reúna las herramientas necesarias antes de comenzar la instalación.

### Herramientas necesarias:

- Llave de tuercas de 1/2"
- Destornillador Phillips

### Herramientas suministradas:

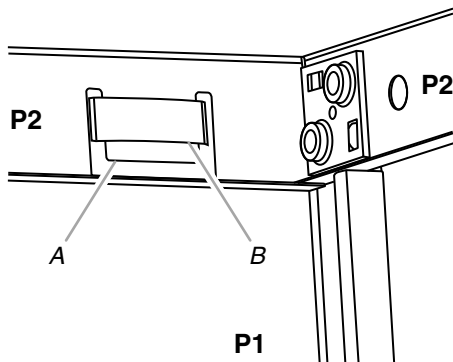
- Llave hexagonal en L

### IMPORTANTE:

- Tal vez se necesiten dos personas para completar el ensamble.
- La parte superior del armario (P2) se ha diseñado intencionalmente de manera que las lengüetas sólo coincidirán con las placas de enganche, ubicadas en los lados, cuando se coloquen correctamente. Si las lengüetas en la parte superior del armario no encajan en las placas de enganche, ubicadas en el panel lateral (P1), dé vuelta a la parte superior del armario.

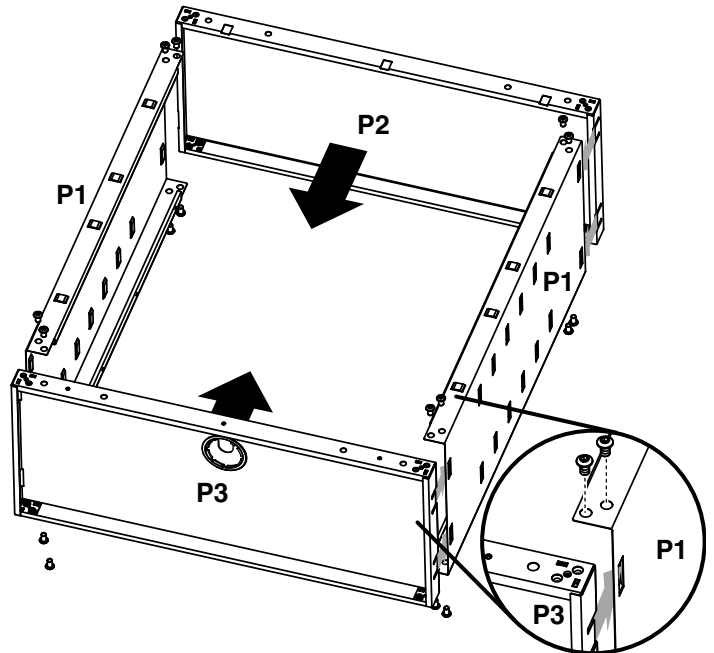
1. Coloque el panel lateral (P1) sobre una superficie plana y firme de manera que el extremo con las placas de enganche quede mirando hacia arriba.
2. Alinee las lengüetas en la parte superior del armario (P2) con las placas de enganche en el lado del armario (P1). Deslice la parte superior del armario entre los extremos del panel lateral.

**NOTA:** Revise para asegurarse de que cada lengüeta esté insertada por completo detrás de la placa de enganche.



A. Lengüeta  
B. Placa de enganche

3. Alinee los dos orificios en cada esquina. Usando pernos de cabeza hexagonal (F1), sujete el panel lateral (P1) a la parte superior del armario (P2), como se muestra. No los apriete completamente.
4. Repita los pasos 2 y 3 para el otro lado del armario (P1).
5. Con el lado liso mirando hacia el interior del armario, alinee las 4 lengüetas en la parte inferior del armario (P3) con las placas de enganche en los lados del armario (P1). Deslice la parte inferior del armario entre los extremos de los paneles laterales.  
**NOTA:** Revise para asegurarse de que cada lengüeta esté insertada por completo detrás de la placa de enganche.
6. Alinee los dos orificios en cada esquina. Usando pernos de cabeza hexagonal (F1), sujete los paneles laterales (P1) a la parte inferior del armario (P3), como se muestra. No los apriete completamente.



## Fijación de los paneles posteriores

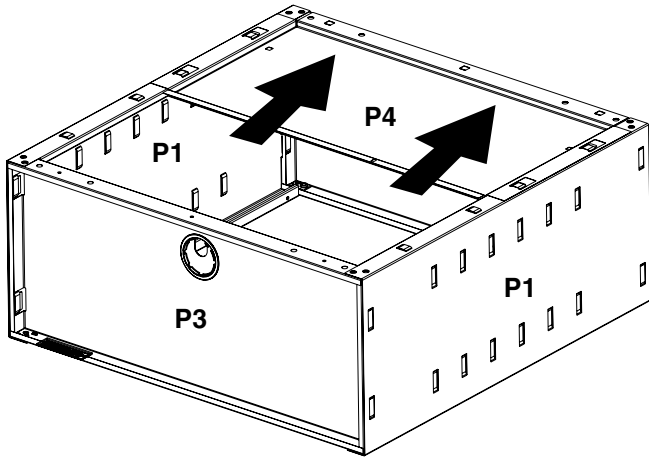


F3c

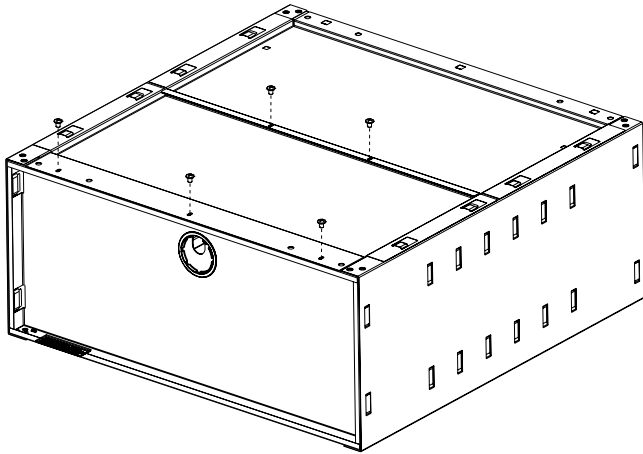
F3c. Tornillo Phillips (5)

1. Alinee las 7 lengüetas en el panel posterior superior (P4) con las placas de enganche en la parte superior del armario (P2) y los lados del armario (P1).
2. Deslice el panel posterior superior (P4) hacia la parte superior del armario (P2), hasta que el panel posterior superior esté firme en su lugar.

**NOTA:** Revise para asegurarse de que cada lengüeta esté insertada por completo detrás de la placa de enganche, como se muestra.



3. Alinee las 4 lengüetas laterales en el panel posterior inferior (P5) con las placas de enganche en los lados del armario (1).
4. Deslice el panel posterior inferior (P5) hacia arriba, hasta que la parte superior del panel posterior inferior esté debajo del panel posterior superior (P4).  
**NOTA:** El panel posterior superior estará ligeramente superpuesto al panel posterior inferior.
5. Usando tornillos Phillips (F3c), sujete el panel posterior superior (P4) al panel posterior inferior (P5), y el panel posterior inferior a la parte inferior del armario (P3).



6. Apriete por completo todos los tornillos del panel posterior.
7. Empezando por el frente del armario y utilizando la llave Allen (provista), apriete todos los pernos por completo.

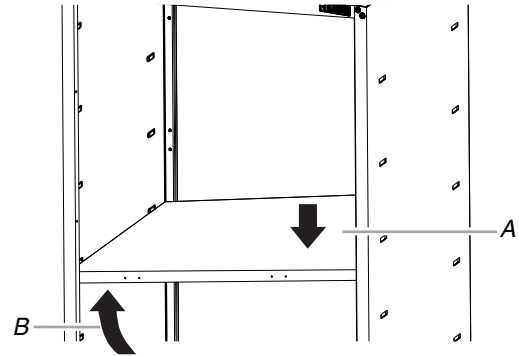
## Instalación de los estantes

**NOTA:** Algunos modelos no cuentan con un estante P6. Planifique la altura de su estante e instale el estante o los 2 estantes (P6 y P6m, según el modelo) comenzando desde la parte inferior. Las placas de enganche de metal sostienen los estantes en las paredes laterales del armario.

1. Determine la posición de los 2 estantes (P6—1 estante sin imanes (en algunos modelos), P6m—1 estante con imanes).
2. Coloque el estante en el armario, de modo que el borde largo con orificios (P6) o el borde largo con imanes (P6m) esté mirando hacia el frente del armario.

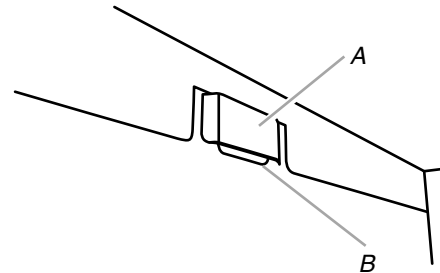
3. Incline el estante de manera que quede un extremo más alto que el otro, como se muestra.

**NOTA:** El extremo más alto del estante debe estar directamente por encima de la placa de enganche del armario, a la altura deseada.

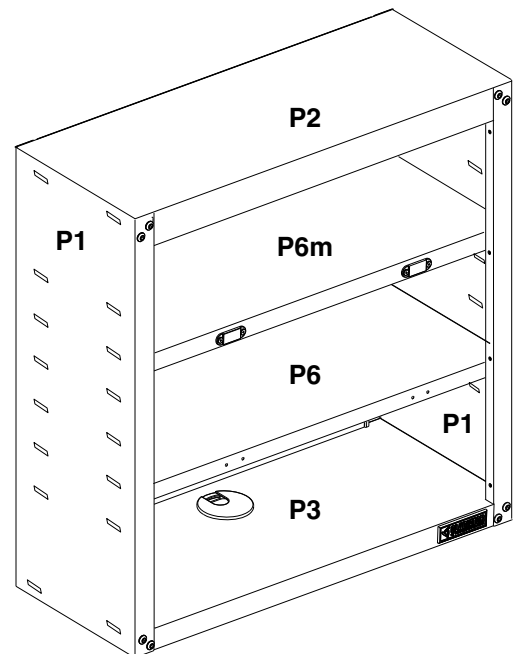


A. Empuje hacia abajo  
B. Levante

4. Empuje el borde del estante hacia abajo, de modo que las lengüetas del estante entren en las placas de enganche del armario.
5. Levante el borde inferior del estante de manera que esté por arriba de la placa de enganche deseada, y empuje el estante hacia abajo, en su lugar.  
**NOTA:** Revise para asegurarse de que las lengüetas del estante estén colocadas detrás de todas las placas de enganche del armario, como se muestra.
6. Repita los pasos 2 a 5 para instalar el otro estante si es necesario.



A. Placa de enganche del armario  
B. Lengüeta del estante



Estante P6 (disponible en algunos modelos)

## Instalación de las puertas

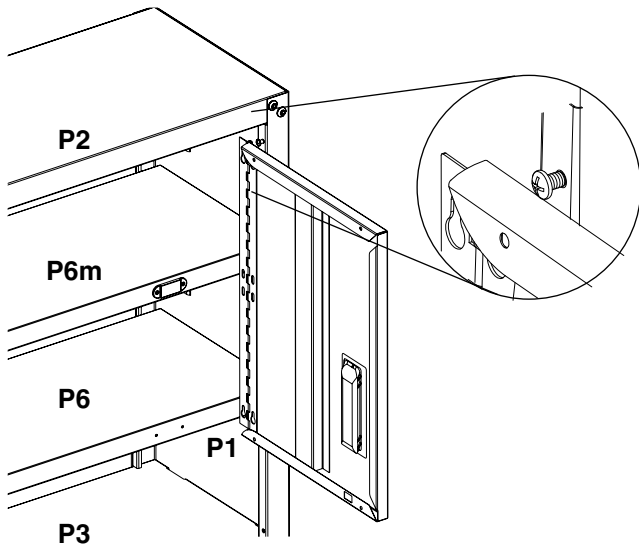


**F3c**

F3c. Tornillo Phillips (6)

Las bisagras de la puerta se han diseñado con bocallaves en la parte superior e inferior, de modo que la puerta cuelge en el armario mientras usted coloca los tornillos.

1. Empiece colocando tornillos Phillips (F3c) en los orificios en la parte superior e inferior, en cada lado del armario.
2. Cuelgue la puerta del lado derecho (P7) de los tornillos superiores e inferiores y apriételos a mano.
3. Inserte el tornillo del medio en el armario, a través de la bisagra de la puerta, y apriételo a mano.



**Estante P6 (disponible en algunos modelos)**

4. Repita los pasos 2 y 3 para fijar la puerta izquierda (P8).
5. Alinee las puertas y apriete los tornillos por completo.

## INSTRUCCIONES DE INSTALACIÓN

### ⚠ ADVERTENCIA

#### Peligro de Peso Excesivo

Use dos o más personas para mover, ensamblar o instalar el armario.

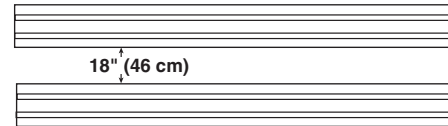
No seguir esta instrucción puede ocasionar una lesión en la espalda u otro tipo de lesiones.

**IMPORTANTE:** El armario se puede instalar sobre los paneles Gladiator® GearWall®, los canales GearTrack® o sobre una pared estándar, como se describe a continuación. Siga las instrucciones que sean aplicables para su instalación.

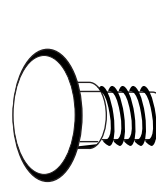
### Instalación del armario a los paneles GearWall® o a los canales GearTrack®

#### IMPORTANTE:

- Asegúrese de que los paneles GearWall® o los canales GearTrack® estén instalados con tornillos de montaje en cada ranura y en cada ubicación de los pies derechos, con un máximo de 24" (60,96 cm) horizontalmente entre los tornillos.
- Si va a instalar el armario en el canal GearTrack®, deberá instalarse un segundo canal 18" (46 cm) por debajo del canal de soporte de manera que el armario cuelgue nivelado.

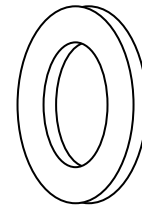


### Fijación del soporte de montaje



**F7**

F7. Perno de carruaje (2)  
F8. Arandela (2)



**F8**

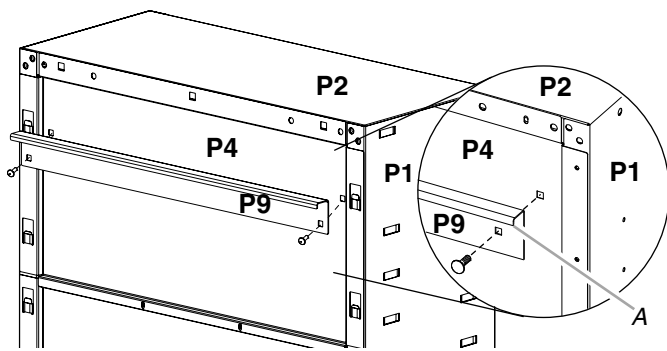


**F2**

F2. Tuerca de reborde de 5/16" (2)

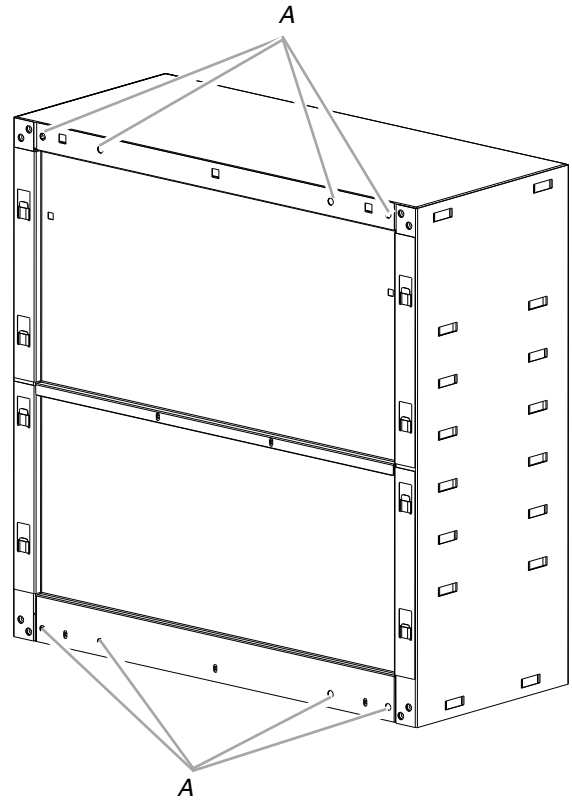
1. Con el reborde del soporte de montaje (P9) apuntando hacia abajo, alinee los dos orificios del soporte con los dos orificios del panel superior posterior (P4).
2. Trabajando desde la parte posterior, inserte dos pernos de carruaje (F7) a través del soporte y el panel posterior superior (P4).
3. Trabajando desde el interior del armario, ajuste cada perno con una arandela (F8) y una tuerca de reborde (F2). Ajuste firmemente los pernos.

4. Cierre las puertas del armario.



A. Borde del soporte apuntando hacia abajo

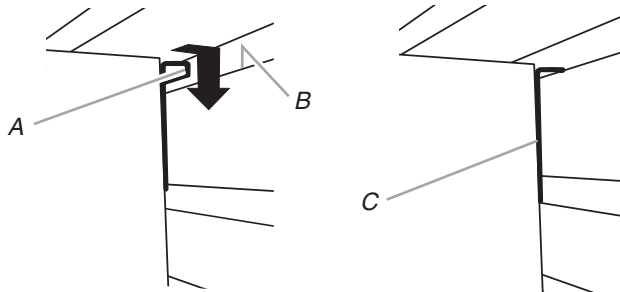
2. Mientras dos o más personas sostienen el armario contra la pared, sujete el armario a la pared del garage usando arandelas planas de  $\frac{5}{16}$ " y tirafondos de  $\frac{5}{16}$ " x  $1\frac{1}{2}$ " (no provistos).
3. Apriete los tornillos completamente con una llave de tuercas.



A. Orificios para el montaje en la pared estándar

### Instalación sobre los paneles GearWall® o los canales GearTrack®

1. Determine la ubicación para el montaje del armario en los paneles GearWall® o en los canales GearTrack®.
2. Con la ayuda de dos o más personas, acople el soporte de montaje en la ranura de la pared levantando y empujando hacia la pared y bajando el borde del soporte dentro de la ranura.
3. Inspeccione el armario de ambos lados para asegurarse de que el soporte de montaje de la pared esté acoplado completamente en la ranura, como se muestra.



A. Borde del soporte  
B. Ranura

C. Soporte de montaje  
acoplado completamente

### Montaje en pared estándar

#### Piezas y herramientas necesarias

- Llave de tuercas
- Tirafondos de  $\frac{5}{16}$ " x  $1\frac{1}{2}$ " (4)
- Arandelas planas de  $\frac{5}{16}$ " (4)

**IMPORTANTE:** Los orificios redondos que están en los paneles posteriores superior e inferior del armario están espaciados para permitirle montar el armario de pared a los pies derechos de la pared de su garage.

1. Ubique los pies derechos de madera en la pared de su garage. Alinee dos orificios de arriba y dos orificios de abajo con los pies derechos de madera y marque la ubicación de los orificios.

# GARANTÍA LIMITADA DE 10 AÑOS GLADIATOR® GARAGEWORKS

Durante diez años a partir de la fecha de compra, siempre y cuando el producto haya sido instalado, operado y mantenido de acuerdo con las instrucciones adjuntas o provistas con el mismo, la marca Gladiator® GarageWorks de Whirlpool Corporation o Whirlpool Canada, LP (en lo sucesivo denominado "Gladiator"), a su entera discreción, reemplazará el producto defectuoso o proporcionará las piezas de repuesto especificadas de fábrica por un artículo(s) idéntico(s) o similar(es) para corregir defectos en los materiales o en la mano de obra, existentes en el momento de la compra de este producto. Si se reemplaza, el producto estará cubierto durante el tiempo restante de la garantía limitada de diez años de la unidad original.

SU ÚNICO Y EXCLUSIVO RECURSO SEGÚN LOS TÉRMINOS DE ESTA GARANTÍA LIMITADA SERÁ EL DE REEMPLAZAR EL PRODUCTO O LA PIEZA, A NUESTRA DISCRECIÓN, SEGÚN SE ESTIPULA EN LA PRESENTE. Para coordinar una consulta con el servicio de garantía, deberá comunicarse con el Centro para la eXperiencia del cliente de Gladiator. Esta garantía limitada es válida en los Estados Unidos o en Canadá, y se aplica solamente cuando el producto se use en el país en el que se ha comprado. Esta garantía limitada entrará en vigor a partir de la fecha de la compra del consumidor original. La cobertura de la garantía no es transferible y se requiere una prueba de la fecha de compra original para obtener las piezas o el producto de repuesto bajo esta garantía limitada.

## EXCLUSIONES DE LA GARANTÍA

### Esta garantía limitada no cubre:

1. Visitas de servicio técnico para corregir la instalación de cualquier producto Gladiator® o para enseñarle a usarlo o instalarlo.
2. Daños causados por mal manejo o envío de productos, productos dañados por accidente, uso indebido, abuso, incendio, inundación, instalación incorrecta, actos fortuitos, negligencia, corrosión, modificación o maltrato.
3. Costo de envío o flete para entregar productos de repuesto o para devolver productos defectuosos.
4. Las piezas o productos de repuesto especificados de fábrica cuando su producto ha sido empleado para fines ajenos al uso doméstico normal de una familia, tal como el uso en un lugar comercial o se haya tratado de alguna manera en contra de las instrucciones de instalación incluidas con el producto.
5. Daños estéticos incluyendo rayaduras, golpes, abolladuras o rajaduras que no afecten la capacidad estructural o de funcionamiento del producto.
6. Piezas o productos de repuesto de productos Gladiator® que se utilicen o instalen fuera de los Estados Unidos o Canadá.
7. Gastos de viaje o de transporte para clientes que residen en áreas remotas.
8. Cualquier gasto de mano de obra durante el período de la garantía limitada.
9. Daños causados por la carga indebida que exceda del peso máximo especificado que se detalla en las instrucciones de ensamblaje provistas con el producto, incluyendo la sobrecarga de ganchos, canastas, estantes, armarios y otros accesorios de Gladiator® usados con este producto.
10. Daños en el producto debido a una prolongada exposición directa al sol, lo que ocasiona que se deforme, destiña, decolore, raje o despegue o se dañe el producto debido a la interacción química y resulte en la corrosión de la pintura o del metal.
11. Mecanismo de traba o llaves de reemplazo.
12. Pérdida del contenido del producto debida a robo, incendio, inundación, accidente o actos fortuitos.

**El costo de la reparación o del reemplazo bajo estas circunstancias excluidas correrá por cuenta del cliente.**

## EXCLUSIÓN DE GARANTÍAS IMPLÍCITAS

LAS GARANTÍAS IMPLÍCITAS, INCLUYENDO CUALQUIER GARANTÍA IMPLÍCITA DE COMERCIABILIDAD O GARANTÍA IMPLÍCITA DE CAPACIDAD PARA UN PROPÓSITO PARTICULAR, SERÁN LIMITADAS A UN AÑO O AL PERÍODO MÁS CORTO PERMITIDO POR LEY. Algunos estados y provincias no permiten la limitación de la duración de las garantías implícitas de comerciabilidad o capacidad, de modo que la limitación arriba indicada quizás no le corresponda. Esta garantía le otorga derechos legales específicos, y es posible que usted tenga también otros derechos que varían de un estado a otro o de una provincia a otra.

## LIMITACIÓN DE RECURSOS; EXCLUSIÓN DE DAÑOS INCIDENTALES Y CONSECUENTES

SU ÚNICO Y EXCLUSIVO RECURSO SEGÚN LOS TÉRMINOS DE ESTA GARANTÍA LIMITADA SERÁ EL DE REPARAR EL PRODUCTO SEGÚN SE ESTIPULA EN LA PRESENTE. GLADIATOR® GARAGEWORKS NO SE RESPONSABILIZARÁ POR DAÑOS INCIDENTALES O CONSECUENTES. Algunos estados y provincias no permiten la exclusión o limitación de daños incidentales o consecuentes, de modo que estas limitaciones y exclusiones quizás no le correspondan. Esta garantía le otorga derechos legales específicos, y es posible que usted tenga también otros derechos que varían de un estado a otro o de una provincia a otra.

Esta garantía no tiene vigor fuera de los cincuenta estados de Estados Unidos y Canadá. Póngase en contacto con el distribuidor autorizado de Gladiator® GarageWorks para determinar si corresponde otra garantía.

Si necesita servicio técnico, llame al Centro para la eXperiencia del cliente de Gladiator® GarageWorks al **1-866-342-4089** (gratuito) desde cualquier lugar de los EE.UU. En Canadá, póngase en contacto con su compañía designada de Whirlpool Canada LP o llame al **1-800-807-6777**.

En los EE. UU., Gladiator® GarageWorks significa Whirlpool Corporation, Benton Harbor, Michigan 49022. En Canadá, Gladiator® GarageWorks significa Whirlpool Canada LP, Mississauga, ON L5N 3A7.

8/13

**Guarde este libro y su comprobante de compra juntos para referencia futura. Usted deberá proporcionar el comprobante de la compra o la fecha de instalación para obtener servicio bajo la garantía.**

Escriba la siguiente información acerca de su producto Gladiator® para ayudarlo mejor a obtener asistencia o servicio técnico si alguna vez llegara a necesitarlo. Deberá tener a mano el número completo del modelo y de la serie. Usted puede encontrar esta información en la etiqueta con el número de modelo y de serie que está ubicada en la parte posterior del producto.

Nombre del distribuidor \_\_\_\_\_

Dirección \_\_\_\_\_

Número de teléfono \_\_\_\_\_

Número de modelo \_\_\_\_\_

Número de serie \_\_\_\_\_

Fecha de compra \_\_\_\_\_

# SÉCURITÉ DE L'ARMOIRE

## Votre sécurité et celle des autres est très importante.

Nous donnons de nombreux messages de sécurité importants dans ce manuel et sur votre appareil ménager. Assurez-vous de toujours lire tous les messages de sécurité et de vous y conformer.



Voici le symbole d'alerte de sécurité.

Ce symbole d'alerte de sécurité vous signale les dangers potentiels de décès et de blessures graves à vous et à d'autres.

Tous les messages de sécurité suivront le symbole d'alerte de sécurité et le mot "DANGER" ou "AVERTISSEMENT". Ces mots signifient :

**⚠ DANGER**

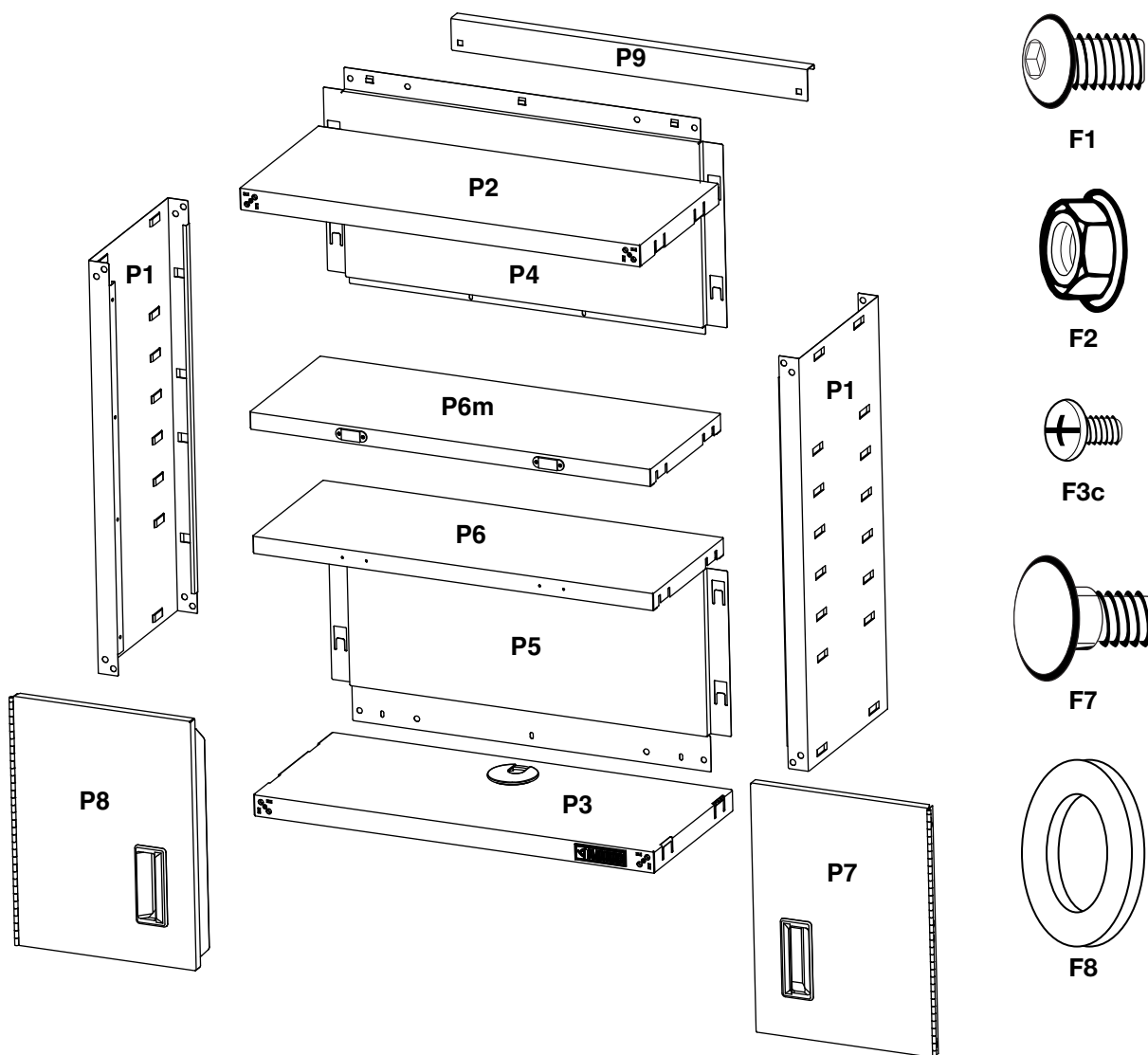
Risque possible de décès ou de blessure grave si vous ne suivez pas immédiatement les instructions.

**⚠ AVERTISSEMENT**

Risque possible de décès ou de blessure grave si vous ne suivez pas les instructions.

Tous les messages de sécurité vous diront quel est le danger potentiel et vous disent comment réduire le risque de blessure et ce qui peut se produire en cas de non-respect des instructions.

## PIÈCES



Étagère P6 (offerte sur certains modèles)

# INSTRUCTIONS D'ASSEMBLAGE

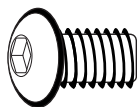
## Spécifications d'utilisation de l'armoire

- Le produit est conçu pour l'utilisation dans un garage
- Charge maximale de 40 lb (18 kg) par étagère.
- Charge maximale de 150 lb (68 kg) pour l'armoire.

## Déballage des composants de l'armoire

1. Retirer le contenu; vérifier la présence de tous les composants. Le contenu inclut une clé de tête hexagonale, ainsi que toutes les pièces et attaches illustrées dans "Pièces".
2. Jeter et recycler tous les matériaux d'emballage.

## Assemblage de la caisse de l'armoire



F1

F1. Vis à tête hexagonale de 5/16" (16)

Rassembler les outils nécessaires avant de commencer l'installation.

### Outils nécessaires

- Clé de 1/2"
- Tournevis Phillips

### Outils fournis

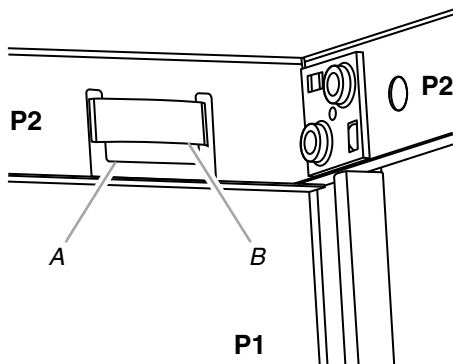
- Clé de tête hexagonale

### IMPORTANT :

- La participation de deux personnes peut être nécessaire pour finir le montage.
- Le dessus de l'armoire (P2) est volontairement conçu de manière à ce que, lorsqu'il est en position correcte, les onglets ne conviennent qu'aux pattes latérales. Si les onglets du dessus de l'armoire ne correspondent pas aux pattes sur le panneau latéral (P1), tourner le dessus de l'armoire dans l'autre sens.

1. Placer un panneau latéral (P1) sur une surface ferme plane de façon à ce que la rive comportant des pattes soit orientée vers le haut.
2. Aligner les onglets dans le dessus de l'armoire (P2) avec les pattes dans le côté de l'armoire. (P1). Insérer le dessus de l'armoire entre les rives du panneau latéral.

**REMARQUE :** S'assurer que chaque onglet est complètement inséré derrière la patte.

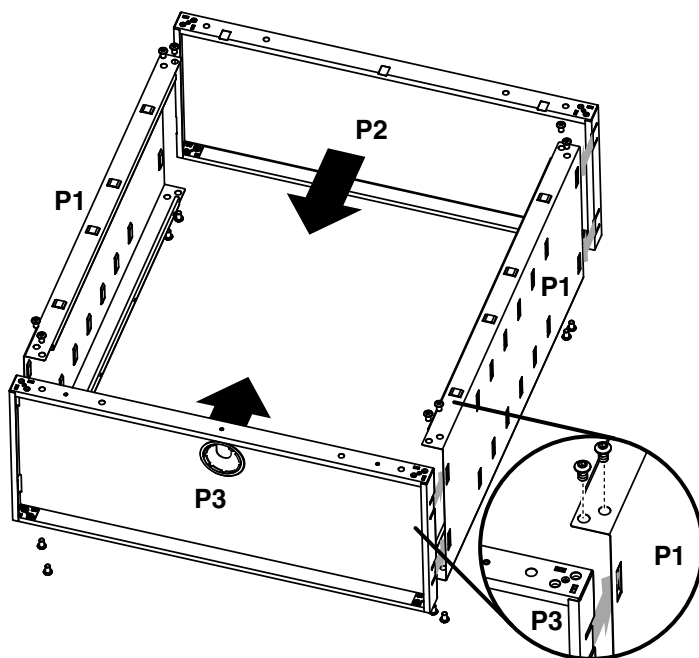


A. Onglet  
B. Patte

3. Aligner les 2 trous à chaque angle. À l'aide de vis à tête hexagonale (F1), fixer le panneau latéral (P1) au sommet de l'armoire (P2) tel qu'illustré. Ne pas serrer complètement.
4. Répéter les étapes 2 et 3 pour l'autre côté de l'armoire (P1).
5. Avec le côté lisse orienté vers l'intérieur de l'armoire, aligner les 4 onglets au fond de l'armoire (P3) avec les pattes dans les côtés de l'armoire (P1). Faire glisser le bas de l'armoire entre les rives des panneaux latéraux.

**REMARQUE :** S'assurer que chaque onglet est complètement inséré derrière la patte.

6. Aligner les 2 trous à chaque angle. À l'aide de vis à tête hexagonale (F1), fixer les panneaux latéraux (P1) au fond de l'armoire (P3) tel qu'illustré. Ne pas serrer complètement.



## Fixation des panneaux arrière

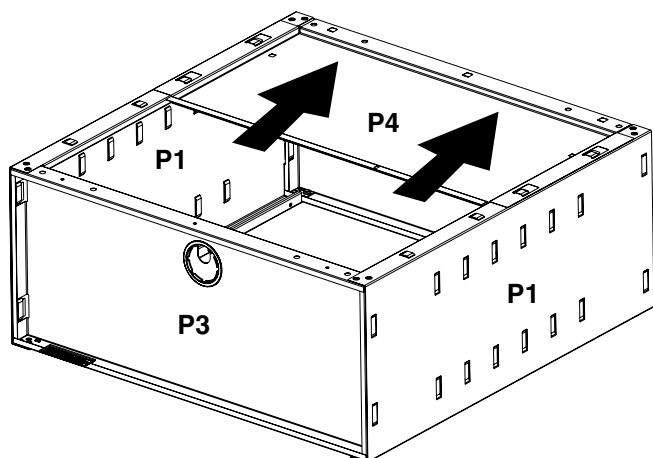


F3c

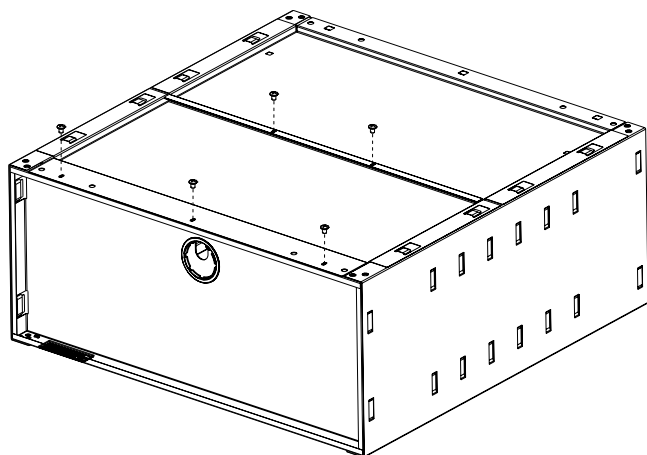
F3c. Vis Phillips (5)

1. Aligner les 7 onglets dans le panneau supérieur arrière (P4) avec les pattes dans le sommet de l'armoire (P2) et les côtés (P1) de l'armoire.
2. Faire glisser le panneau supérieur arrière (P4) vers le sommet de l'armoire (P2) jusqu'à ce que le panneau supérieur arrière soit fermement fixé en place.

**REMARQUE :** S'assurer que chaque onglet est complètement inséré derrière la patte, tel qu'illustré.



3. Aligner les 4 onglets latéraux sur le panneau inférieur arrière (P5) avec les pattes dans les côtés de l'armoire (P1).
  4. Faire glisser le panneau inférieur arrière (P5) vers le haut jusqu'à ce que le sommet du panneau inférieur arrière se trouve sous le panneau supérieur arrière (P4).
- REMARQUE :** Le panneau supérieur arrière sera légèrement en chevauchement sur le panneau inférieur arrière.
5. À l'aide de vis Phillips (F3c), fixer le panneau supérieur arrière (P4) au panneau inférieur arrière (P5) et le panneau inférieur arrière au fond de l'armoire (P3).



6. Serrer complètement toutes les vis du panneau arrière.
7. En commençant par l'avant de l'armoire et à l'aide d'une clé Allen (fournie), serrer complètement toutes les vis.

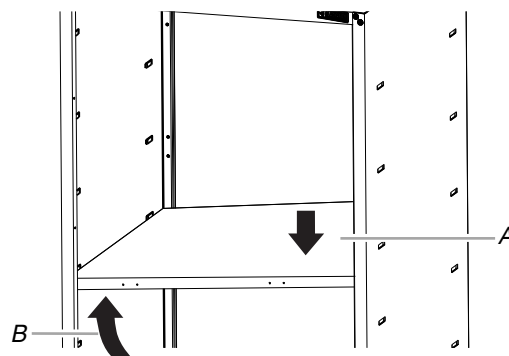
## Installation des étagères

**REMARQUE :** Certains modèles ne sont pas munis de l'étagère P6. Vérifier les hauteurs de vos étagères et installer une ou deux étagères (P6 et P6m – selon les modèles) en commençant par le bas. Les étagères sont soutenues par les pattes en métal sur les rives du cabinet.

1. Déterminer la position des 2 étagères (P6-1 étagère sans aimants (sur certains modèles), P6m-1 étagère avec aimants).
2. Placer l'étagère dans l'armoire de façon à ce que la longue rive qui comporte les trous (P6) ou la longue rive qui comporte les aimants (P6m) soit orientée vers l'avant de l'armoire.

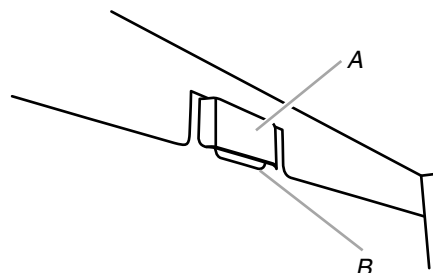
3. Incliner l'étagère de façon à ce qu'une extrémité soit plus haute que l'autre, tel qu'illustré.

**REMARQUE :** L'extrémité la plus haute de l'étagère doit se trouver directement au-dessus de la patte de l'armoire, à la hauteur souhaitée.

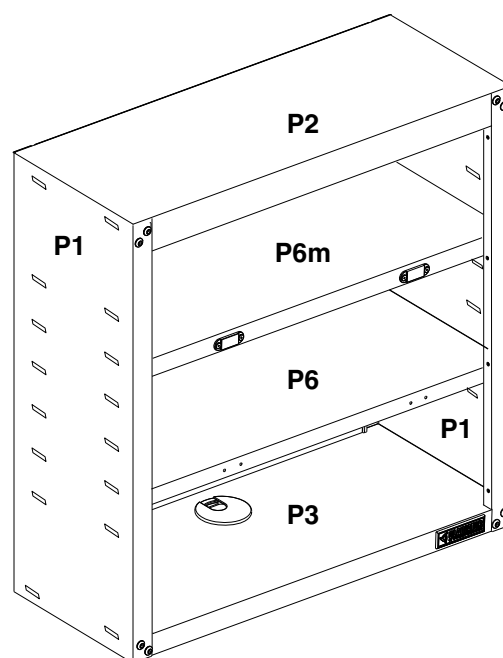


A. Enfoncer  
B. Soulever

4. Appuyer sur la rive de l'étagère de façon à ce que les onglets de l'étagère s'engagent dans les pattes de l'armoire.
  5. Soulever l'extrémité inférieure de l'étagère de façon à ce qu'elle se trouve au-dessus de la patte de l'armoire que l'on souhaite utiliser et appuyer sur l'étagère pour la mettre en place.
- REMARQUE :** S'assurer que les onglets des étagères sont en place derrière toutes les pattes de l'armoire, tel qu'illustré.
6. Répéter les étapes 2 à 5 pour l'installation de l'autre étagère si nécessaire.



A. Patte de l'armoire  
B. Onglet d'étagère



Étagère P6 (offerte sur certains modèles)



## Installation des portes

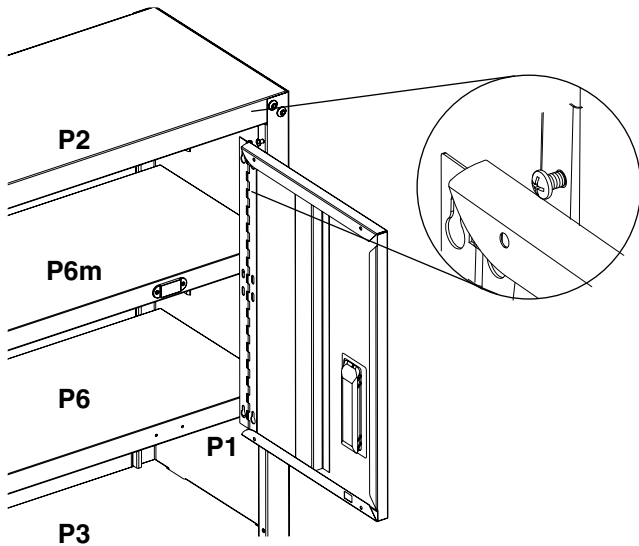


F3c

F3c. Vis Phillips (6)

Le charnières de porte sont conçues avec des trous allongés en haut et en bas de façon à ce que la porte soit suspendue à l'armoire pendant que l'on serre les vis.

1. Engager les vis Phillips (F3c) dans les trous supérieurs et inférieurs de chaque côté de l'armoire.
2. Suspendre la porte de droite (P7) aux vis supérieures et inférieures puis serrer à la main.
3. Insérer le vis du milieu dans la charnière de porte, dans l'armoire, puis serrer à la main.



Étagère P6 (offerte sur certains modèles)

4. Répéter les étapes 2 et 3 pour installer la porte de gauche (P8).
5. Aligner les portes et serrer complètement les vis.

## INSTRUCTIONS D'INSTALLATION

### ⚠ AVERTISSEMENT

Risque du poids excessif

Utiliser deux ou plus de personnes pour déplacer, assembler, ou installer l'armoire.

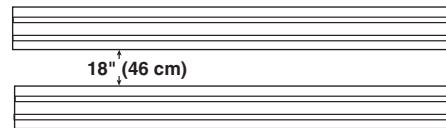
Le non-respect de cette instruction peut causer une blessure au dos ou d'autre blessure.

**IMPORTANT :** Cette armoire peut être installée sur les panneaux Gladiator® GearWall®, les profilés GearTrack® ou sur un mur standard. Suivre les instructions correspondant à votre installation.

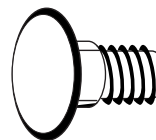
### Installation de l'armoire sur des panneaux GearWall® ou des profilés GearTrack®

**IMPORTANT :**

- Vérifier que lors de l'installation des panneaux GearWall® ou des profilés GearTrack®, une vis de montage a été placée dans chaque rainure au niveau de chaque poteau du colombage, à intervalle horizontal maximum de 24" (60,96 cm) entre les vis.
- Si on installe l'armoire sur un profilé GearTrack®, un second profilé devrait être installé à 18" (46 cm) au-dessous de la partie inférieure du profilé porteur. L'armoire suspendue sera alors d'aplomb.

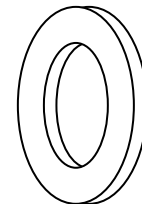


### Installation de la tringle d'accrochage



F7

F7. Vis à collet carré (2)  
F8. Rondelle (2)



F8

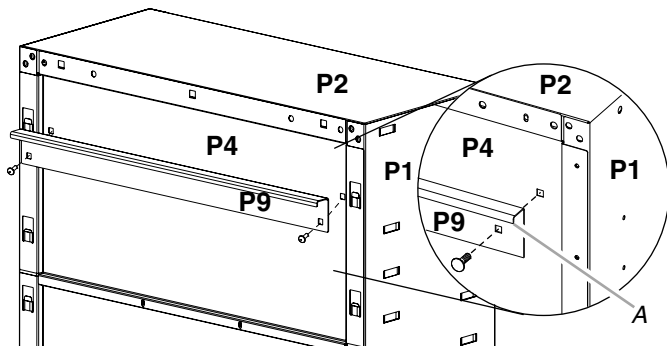
F2. Écrou à embase  
3/16" (2)



F2

1. Alors que la tringle d'accrochage (P9) est orientée vers le bas, aligner les deux trous de la tringle avec les deux trous du panneau arrière supérieur (P4).
2. En partant de l'arrière, insérer deux vis à collet carré (F7) à travers la tringle et le haut du panneau arrière (P4).
3. Depuis l'intérieur de l'armoire, fixer chaque vis à collet carré avec une rondelle (F8) et un écrou à embase (F2). Bien serrer chaque vis.

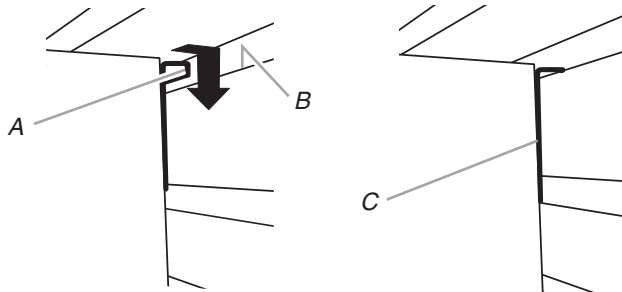
4. Fermer les portes de l'armoire.



A. Rive de la tringle orientée vers le bas

### Montage sur des panneaux GearWall® ou profilés GearTrack®

1. Choisir l'emplacement d'installation de l'armoire sur les panneaux GearWall® ou les profilés GearTrack®.
2. À deux personnes ou plus, engager la tringle d'accrochage dans la rainure du mur : soulever l'armoire, la pousser vers le mur et abaisser la rive de la tringle dans la rainure.
3. Inspecter l'armoire par les côtés - vérifier que la tringle d'accrochage mural est parfaitement engagée dans la rainure - voir l'illustration.



A. Rive de la tringle  
B. Rainure

C. Tringle d'accrochage  
parfaitement engagée

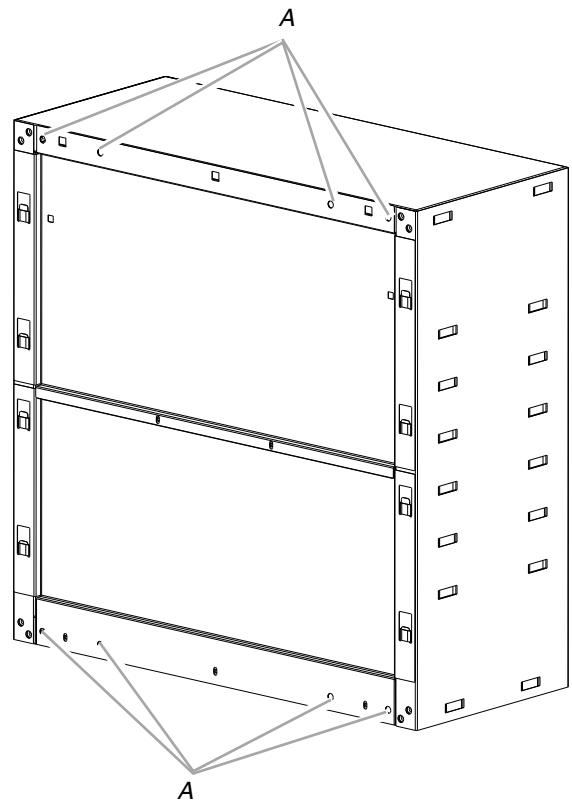
## Montage mural standard

### Outils et pièces nécessaires

- Clé
- Vis d'ancrage de  $\frac{5}{16}$ " x  $1\frac{1}{2}$ " (4)
- Rondelles plates de  $\frac{5}{16}$ " (4)

**IMPORTANT :** L'espacement des trous ronds dans les panneaux arrière, supérieur et inférieur de l'armoire permet le montage de l'armoire sur les poteaux du colombage mural du garage.

1. Identifier la position des poteaux de colombage de bois du mur du garage. Aligner deux trous du sommet et deux trous du bas avec chaque poteau du colombage; marquer la position des trous.
2. Tandis que deux personnes ou plus maintiennent l'armoire en appui contre le mur, placer les vis d'ancrage de  $\frac{5}{16}$ " x  $1\frac{1}{2}$ " avec une rondelle plate de  $\frac{5}{16}$ " pour fixer l'armoire sur le mur (les vis et rondelles ne sont pas fournies).
3. Avec une clé, serrer complètement les vis.



A. Trous pour montage mural standard

---

# GARANTIE LIMITÉE DE 10 ANS DES APPAREILS GLADIATOR® GARAGEWORKS

---

Pendant dix ans à compter de la date d'achat d'origine, lorsque ce produit a été installé, utilisé et entretenu conformément aux instructions jointes à ou fournies avec celui-ci, Gladiator® GarageWorks, marque de Whirlpool Corporation ou de Whirlpool Canada LP (ci-après désignée "Gladiator"), choisira à son entière discrétion de remplacer le produit défectueux ou de fournir les pièces de rechange spécifiées par l'usine avec des pièces identiques ou similaires pour corriger les vices de matériaux ou de fabrication déjà présents lorsque ce produit a été acheté. S'il est remplacé, l'appareil sera couvert pour la période restant à courir de la garantie limitée de dix ans du produit d'origine.

LE SEUL ET EXCLUSIF RECOURS DU CLIENT DANS LE CADRE DE LA PRÉSENTE GARANTIE LIMITÉE CONSISTE EN LE REMPLACEMENT DU PRODUIT OU D'UNE PIÈCE TEL QUE PRÉVU PAR LA PRÉSENTE, ET CE À NOTRE DISCRÉTION. La seule façon de demander un dépannage sous garantie est de contacter le Centre pour l'expérience de la clientèle Gladiator. Cette garantie limitée est valide uniquement aux États-Unis ou au Canada et s'applique exclusivement lorsque le produit est utilisé dans le pays où il a été acheté. La présente garantie limitée est valable à compter de la date d'achat initial par le consommateur. La couverture de garantie n'est pas cessible et une preuve de la date d'achat initial est exigée pour obtenir des pièces de rechange ou un produit de remplacement dans le cadre de la présente garantie limitée.

---

## ÉLÉMENTS EXCLUS DE LA GARANTIE

**La présente garantie limitée ne couvre pas :**

1. Les appels de service pour rectifier l'installation de tout produit Gladiator® ou pour expliquer comment l'utiliser ou l'installer.
2. Les dommages causés par une manipulation ou une expédition des produits incorrecte, ou les produits endommagés par accident, mésusage, abus, incendie, inondation, installation incorrecte, actes de Dieu, négligence, corrosion, modification ou mauvaise manipulation.
3. Les frais d'expédition ou de transport pour livrer des produits de rechange ou retourner des produits défectueux.
4. Les pièces de rechange ou produit spécifiés par l'usine lorsque le produit est utilisé autrement que dans une utilisation normale, unifamiliale, comme dans un environnement commercial, ou manipulé d'une façon non conforme aux instructions d'installation fournies avec le produit.
5. Les défauts d'apparence - éraflures, traces de choc ou fissures - n'affectant pas la fonctionnalité ou la résistance structurale du produit.
6. Les pièces de rechange ou un produit de remplacement pour les produits Gladiator® utilisés ou installés en dehors des États-Unis ou du Canada.
7. Les frais de voyage ou de transport pour les clients qui habitent dans des régions éloignées.
8. Tous les frais de main-d'œuvre encourus au cours de la période de garantie limitée.
9. Les dommages causés par un chargement incorrect au-delà de la capacité de poids maximum spécifiée dans les instructions d'assemblage fournies avec le produit, y compris la surcharge de crochets, paniers, étagères, armoires et autres accessoires Gladiator® utilisés avec le produit.
10. Les dommages au produit causés par une exposition prolongée au rayonnement solaire, provoquant gauchissement, dégradation des couleurs, décoloration, fissure ou écaillage, ou les dommages au produit causés par une interaction chimique provoquant la corrosion de la peinture ou du métal.
11. Les clés ou mécanisme de verrouillage de rechange.
12. La perte du contenu du produit due à vol, incendie, inondation, accident ou actes de Dieu.

**Le coût d'une réparation ou d'un remplacement dans le cadre de ces circonstances exclues est à la charge du client.**

---

## CLAUSE D'EXONÉRATION DE RESPONSABILITÉ AU TITRE DES GARANTIES IMPLICITES

LES GARANTIES IMPLICITES, Y COMPRIS LES GARANTIES APPLICABLES DE QUALITÉ MARCHANDE OU D'APTITUDE À UN USAGE PARTICULIER, SONT LIMITÉES À UN AN OU À LA PLUS COURTE PÉRIODE AUTORISÉE PAR LA LOI. Certains États et provinces ne permettent pas de limitation sur la durée des garanties implicites de qualité marchande ou d'aptitude à un usage particulier, de sorte que la limitation ci-dessus peut ne pas être applicable dans votre cas. Cette garantie vous confère des droits juridiques spécifiques et vous pouvez également jouir d'autres droits qui peuvent varier d'une juridiction à l'autre.

---

## LIMITATION DES RECOURS; EXCLUSION DES DOMMAGES FORTUITS OU INDIRECTS

LE SEUL ET EXCLUSIF RECOURS DU CLIENT DANS LE CADRE DE LA PRÉSENTE GARANTIE LIMITÉE CONSISTE EN LA RÉPARATION PRÉVUE PAR LA PRÉSENTE. GLADIATOR® GARAGEWORKS N'ASSUME AUCUNE RESPONSABILITÉ POUR LES DOMMAGES FORTUITS OU INDIRECTS. Certains États et certaines provinces ne permettent pas l'exclusion ou la limitation des dommages fortuits ou indirects de sorte que ces limitations et exclusions peuvent ne pas être applicables dans votre cas. Cette garantie vous confère des droits juridiques spécifiques et vous pouvez également jouir d'autres droits qui peuvent varier d'une juridiction à l'autre.

---

Cette garantie ne s'applique pas à l'extérieur des 50 États des États-Unis et du Canada. Contacter votre marchand Gladiator® GarageWorks autorisé pour déterminer si une autre garantie s'applique.

Si vous avez besoin de service, appelez le Centre pour l'expérience de la clientèle de Gladiator® GarageWorks au **1-866-342-4089** (sans frais), de n'importe où aux É.-U. Au Canada, contactez votre compagnie de service désignée par Whirlpool Canada LP ou composez le **1-800-807-6777**.

Aux États-Unis, Gladiator® GarageWorks correspond à Whirlpool Corporation, Benton Harbor, Michigan 49022. Au Canada, Gladiator® GarageWorks correspond à Whirlpool Canada LP, Mississauga, ON L5N 3A7. 8/13

---

**Conservez ensemble ce manuel et votre reçu de vente pour référence ultérieure. Pour un entretien ou une réparation sous garantie, vous devez présenter un document attestant de la date d'achat ou d'installation.**

Inscrivez les renseignements suivants au sujet de votre produit Gladiator® pour mieux vous aider à obtenir assistance ou réparation en cas de besoin. Il faut connaître le numéro de modèle et le numéro de série au complet. Vous trouverez ces renseignements sur la plaque signalétique située à l'arrière du produit.

Nom du revendeur \_\_\_\_\_

Adresse \_\_\_\_\_

Numéro de téléphone \_\_\_\_\_

Numéro de modèle \_\_\_\_\_

Numéro de série \_\_\_\_\_

Date d'achat \_\_\_\_\_