



24" (60.96 cm) AND 30" (76 cm) WELDED-STEEL WALL GEARBOX CABINETS

Assembly Instructions

ARMARIOS DE PARED DE ACERO FUNDIDO PARA HERRAMIENTAS DE 24" (60,96 cm) Y 30" (76 cm)

Instrucciones de ensamblaje

ARMOIRES À OUTILS MURALES EN ACIER SOUDÉ DE 24" (60,96 cm) ET 30" (76 cm)

Instructions d'assemblage

TABLE OF CONTENTS/ÍNDICE/TABLE DES MATIÈRES

| | | | | | |
|--|----------|--|-----------|--|-----------|
| CABINET/LOCKER SAFETY | 2 | SEGURIDAD DEL ARMARIO | 6 | SÉCURITÉ DE L'ARMOIRE | 11 |
| INSTALLATION INSTRUCTIONS | 2 | INSTRUCCIONES DE ENSAMBLAJE | 6 | INSTRUCTIONS D'ASSEMBLAGE | 11 |
| Tools and Parts | 2 | Piezas y herramientas..... | 6 | Outillage et pièces | 11 |
| Cabinet Use Requirements..... | 2 | Requisitos de uso del armario..... | 6 | Spécifications d'utilisation de l'armoire | 11 |
| Unpack the Cabinet | 2 | Desempaques del armario | 6 | Déballage de l'armoire..... | 11 |
| Install the Cabinet to the Wall | 2 | Monte el armario en la pared..... | 7 | Montage de l'armoire sur le mur | 12 |
| Adjust Shelves | 4 | Ajuste de los estantes..... | 8 | Réglage des étagères..... | 13 |
| Adjust Door(s)..... | 4 | Ajuste de la(s) puerta(s) | 9 | Réglage de la/des porte(s) | 14 |
| Reverse Door | 4 | Cómo invertir el cierre de la puerta | 9 | Inversion du sens d'ouverture de la porte | 14 |
| WARRANTY | 5 | GARANTÍA | 10 | GARANTIE | 15 |

IT'S TIME TO RETHINK THE GARAGE.®
ES TIEMPO DE VOLVER A PENSAR EN EL GARAGE.™
LE GARAGE REPENSÉ.™

2317587A

In U.S.A. call: 1-866-342-4089
En EE.UU. llame al: 1-866-342-4089
Aux É.-U. téléphoner au 1-866-342-4089

In Canada call: 1-800-807-6777
En Canadá llame al: 1-800-807-6777
Au Canada téléphoner au 1-800-807-6777

www.GladiatorGW.com
www.gladiatorgarageworks.ca

CABINET/LOCKER SAFETY

Your safety and the safety of others are very important.

We have provided many important safety messages in this manual and on your appliance. Always read and obey all safety messages.



This is the safety alert symbol.

This symbol alerts you to potential hazards that can kill or hurt you and others.

All safety messages will follow the safety alert symbol and either the word "DANGER" or "WARNING."

These words mean:

⚠ DANGER

You can be killed or seriously injured if you don't immediately follow instructions.

⚠ WARNING

You can be killed or seriously injured if you don't follow instructions.

All safety messages will tell you what the potential hazard is, tell you how to reduce the chance of injury, and tell you what can happen if the instructions are not followed.

INSTALLATION INSTRUCTIONS

Tools and Parts

Gather the required tools and parts before starting installation.

Tools Needed:

- 1/2" Wrench (GearWall® panel or GearTrack™ channel mount)
- 7/16" Wrench (Standard mount)
- Phillips screwdriver

Parts Needed for Standard Mount:

- 1/4" – 20 x 1 1/2" Lag screws (4)
- 1/4" Flat washers (4)

Parts Supplied for 24" (60.96 cm) Cabinet:

- Full-width shelf (1)
- Hex nuts (2)
- Mounting bracket (1)
- Washers (2)
- 1/4" x 1/2" Carriage bolts (2)

Parts Supplied for 30" (76 cm) Cabinet:

- Full-width shelves (2)
- Hex nuts (4)
- Mounting brackets (2)
- Washers (4)
- 1/4" x 1/2" Carriage bolts (4)
- Key (1)

Cabinet Use Requirements

- Intended for use in a garage.
- Maximum weight limit is 50 lbs (22 kg) for each shelf.
- Maximum weight limit is 150 lbs (68 kg) for the 24" (60.96 cm) cabinet.
- Maximum weight limit is 200 lbs (91 kg) for the 30" (76 cm) cabinet.

Unpack the Cabinet

1. Open the cabinet door.
NOTE: On the 30" (76 cm) cabinet you must first remove the key, located in the handle, and unlock the door.
2. Remove and verify the contents. See "Parts Supplied" in "Tools and Parts."
3. Dispose of/recycle all packaging materials.

Install the Cabinet to the Wall

⚠ WARNING

Excessive Weight Hazard

Use two or more people to move, assemble or install cabinet or locker.

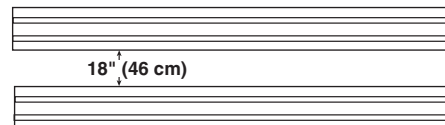
Failure to do so can result in back or other injury.

IMPORTANT: Decide if you are going to mount the cabinet on Gladiator® GearWall® panels or GearTrack™ channels, or on a standard wall. Follow the instructions that apply to your installation.

Install Cabinet to GearWall® Panels or GearTrack™ Channels

IMPORTANT:

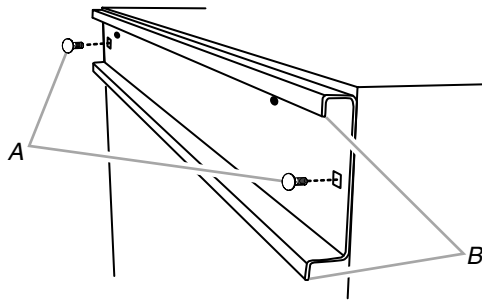
- Be sure the Gladiator® GearWall® panels or GearTrack™ channels are installed with mounting screws in every slot and at every stud location with a maximum of 24" (60.96 cm) horizontally between screws.
- If Gladiator® GearTrack™ channels will be used to mount the Welded-Steel Wall GearBox cabinet, they must be installed 18" (45.72 cm) apart.



24" (60.96 cm) Cabinet

Attach Bracket

1. With the rims of a mounting bracket pointing down, align the holes in the bracket with the pair of holes in the back panel.
2. Working from the back, insert a carriage bolt through the bracket and back panel as shown.



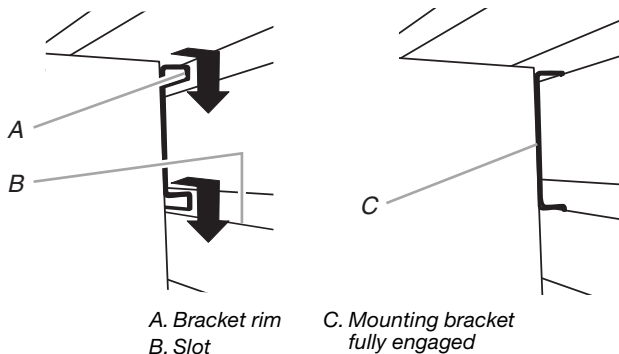
A. Carriage bolts
B. Bracket rim

3. Working from the cabinet interior, fasten each bolt with a washer and a hex nut. Completely tighten the nuts.

Install Cabinet

IMPORTANT: If installing cabinet on GearTrack™ channel, a second channel should be installed 18" (45.72 cm) below the bottom of the supporting channel so the cabinet will hang level.

1. Close the cabinet door.
2. Determine cabinet mounting location on a GearWall® panel or GearTrack™ channels.
3. Using two or more people, engage the mounting bracket into the wall slots by lifting up, pushing toward the wall and lowering the bracket rims into the slots as shown.
4. Make sure the mounting bracket is fully engaged in the slots as shown.



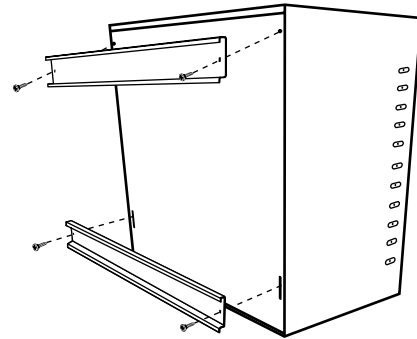
5. If you want to reverse the door, see "Reverse Door."
6. Permanently affix the magnetic latch to the cabinet by removing the paper backing from the adhesive and firmly pressing it to the cabinet.

30" (76 cm) Cabinet

Attach Brackets

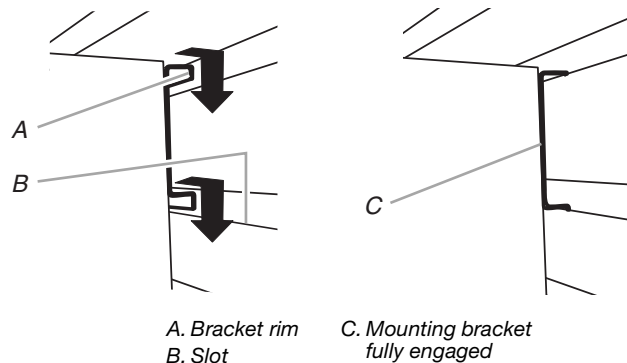
1. With the rims of a mounting bracket pointing down, align the holes in the bracket with the pair of holes in the back panel.
2. Working from the back, insert a carriage bolt through the bracket and back panel.
3. Working from the cabinet interior, fasten each bolt with a washer and a hex nut. Completely tighten the nuts.
4. With the rims of the mounting bracket pointing down, align the holes in the bracket with the pair of slots in the back panel.
5. Working from the back, insert a carriage bolt through the lower bracket and back panel.
6. Working from the cabinet interior, fasten each bolt with a washer and a hex nut. Only hand tighten the nuts. The lower bracket will need to be adjusted to mount the cabinet on the wall.

IMPORTANT: Completely tighten the nuts on the lower bracket after mounting the cabinet on the wall.



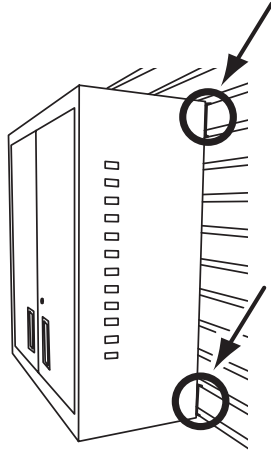
Install Cabinet

1. Close the cabinet doors.
2. Determine cabinet mounting location on GearWall® panel or GearTrack™ channels.
3. Using two or more people, engage the top mounting bracket into the wall slots by lifting up, pushing toward the wall and lowering the bracket rims into the slots as shown.
4. Make sure the top mounting bracket is fully engaged in the slots as shown.
5. Open the cabinet doors.
6. From the cabinet interior, lift up on the two lower bolts to adjust the lower mounting bracket so that it aligns with the slots on the GearWall® panel or GearTrack™ channels.
7. Push the cabinet toward the GearWall® panel or GearTrack™ channels and lower the lower bracket rims into the slots.
8. Make sure the bottom mounting bracket is fully engaged in the slots.



9. Using a 1/2" wrench, tighten the two nuts on the bottom wall mounting bracket.

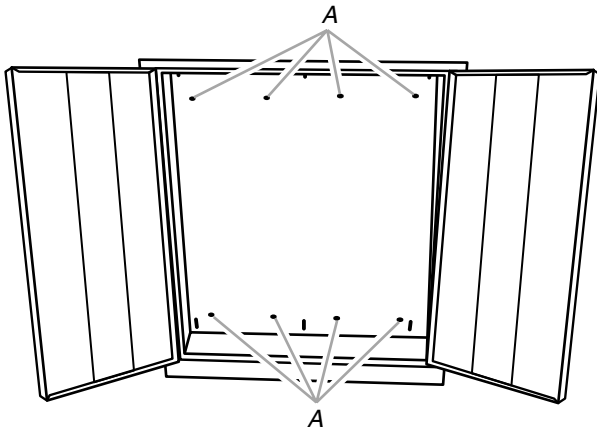
- Inspect the cabinet from the sides to ensure both the top and bottom wall-mounting brackets are fully engaged in their respective slots as shown.



Install Cabinet to a Standard Wall

IMPORTANT: The round holes in the top and bottom cabinet back panels are spaced 8" (20.32 cm) apart to allow you to mount the wall cabinet to your garage wall studs.

- Locate the wood studs in your garage wall.
- Align two holes at the top and two holes at the bottom with the wood studs, and mark the location of the holes.
- While two or more people hold the cabinet against the wall, attach the wall cabinet to the garage wall using 1/4" flat washers and 1/4" - 20 x 1 1/2" Lag screws (not provided).
- Using a 7/16" wrench, fully tighten the screws.



A. Holes for standard wall mounting

Adjust Shelves

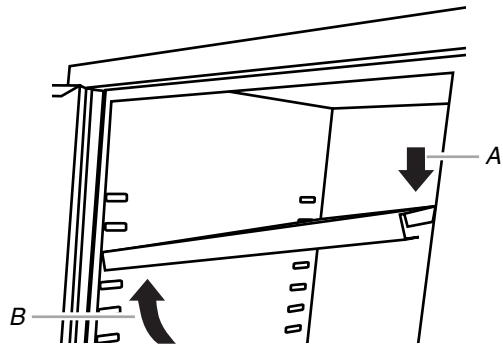
Remove the Shelves

- Remove the shelf clips from their shipping position on the sides and rear of the cabinet. Working from the inside of the cabinet and using a blunt tool, push out the plastic shelf clips. Discard the clips.
- Lift up on the underside of the shelf until the shelf tabs are free of the cabinet slots.
- Tilt the shelf up to reposition it within the cabinet or to remove it from the cabinet.

Replace the Shelves

NOTE: Plan your shelf heights and install shelves starting from the bottom. The shelves are supported by the metal tabs on the back and side walls of the cabinet.

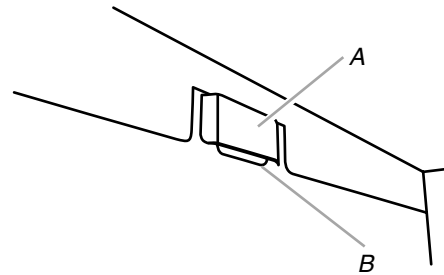
- Determine the placement of the shelves.
- Tilt the shelf so that one end is higher than the other as shown.



A. Push down
B. Lift up

- Insert the shelf into the cabinet so that the higher end is directly above the desired slots and push the shelf down in place behind the side slots.
- Raise the lower end so it is directly above the desired slots and push the shelf down.

NOTE: Make sure the shelf tabs are in place behind all the slots, as shown.



A. Slot
B. Shelf tab

- Repeat this process for the other shelf.

Adjust Door(s)

The cabinets are designed with adjustable door(s).

- Using a Phillips screwdriver, loosen all screws attaching the hinge to the cabinet.
- Adjust door to the desired height.
- Tighten the screws.

Reverse Door

(24" (60.96 cm) wall cabinet only)

Style 1 - Magnetic Latch

- Using a Phillips screwdriver, remove all the screws attaching the door hinge to the cabinet.
- Place the magnetic strip in desired location on the opposite side of the cabinet.

NOTE: Permanently affix the magnetic latch to the cabinet by removing the paper backing from the adhesive and firmly pressing it to the cabinet.

- Using the screws removed in Step 1, reattach the door hinge to the opposite side of the cabinet.

Style 2 - Mechanical Latch

1. Using a Phillips screwdriver, remove all the screws attaching the door hinge to the cabinet. Set the cabinet door aside.
2. Remove the nut securing the door latch to the cabinet. Reattach the door latch to the hole on the opposite side of the cabinet.

3. Using the screws removed in Step 1, reattach the door hinge to the opposite side of the cabinet.

GLADIATOR® GARAGEWORKS WELDED-STEEL WALL GEARBOX CABINET WARRANTY

LIFETIME LIMITED WARRANTY

For the life of the product, when the Wall GearBox Cabinet is used and maintained according to the instructions attached to or furnished with the product, Gladiator® GarageWorks will pay for replacement or repair of the defective product or parts to correct defects in materials or workmanship.

Gladiator® GarageWorks will not pay for:

1. Service calls to correct the installation of any Gladiator® GarageWorks products or to instruct you on how to use or install them.
2. Damage resulting from improper handling or shipping of products, or products damaged by accident, misuse, abuse, fire, flood, improper installation, acts of God, neglect, corrosion, modification or mishandling.
3. Shipping or freight fees to deliver replacement products or to return defective products.
4. Repairs or replacement when your product is used in other than normal, single-family household use, such as a commercial environment or handled in any way inconsistent with the installation instructions included with the product.
5. Cosmetic damage including scratches, dings, dents or cracks that do not affect the structural or functional capability of the product.
6. Replacement parts or product for Gladiator® GarageWorks products operated outside the United States or Canada.
7. In Canada, travel or transportation expenses for customers who reside in remote areas.
8. Any labor costs during the limited warranty period.
9. Damage resulting from improper loading beyond the specified maximum weight capacity outlined in the assembly instructions provided with the product, including overloading of hooks, baskets, shelves, cabinets, and other Gladiator® GarageWorks accessories used with the product.
10. Damage resulting from use of hooks, shelves, baskets and other accessories not distributed or endorsed by Gladiator® GarageWorks.
11. Surfaces damaged due to chemical interaction resulting in corrosion of paint or metal.
12. Replacement keys or locking mechanism.
13. Loss of product contents due to theft, fire, flood, accident or acts of God.

DISCLAIMER OF IMPLIED WARRANTIES; LIMITATION OF REMEDIES

IMPLIED WARRANTIES, INCLUDING TO THE EXTENT APPLICABLE WARRANTIES OF MERCHANTABILITY OR FITNESS FOR A PARTICULAR PURPOSE, ARE EXCLUDED TO THE EXTENT LEGALLY PERMISSIBLE. ANY IMPLIED WARRANTIES THAT MAY BE IMPOSED BY LAW ARE LIMITED TO ONE YEAR, OR THE SHORTEST PERIOD ALLOWED BY LAW. SOME STATES AND PROVINCES DO NOT ALLOW LIMITATIONS OR EXCLUSIONS ON HOW LONG AN IMPLIED WARRANTY OF MERCHANTABILITY OR FITNESS LASTS, SO THE ABOVE LIMITATIONS OR EXCLUSIONS MAY NOT APPLY TO YOU. THIS WARRANTY GIVES YOU SPECIFIC LEGAL RIGHTS, AND YOU MAY ALSO HAVE OTHER RIGHTS WHICH VARY FROM STATE TO STATE OR PROVINCE TO PROVINCE.

Outside the 50 United States and Canada, this warranty does not apply. Contact your authorized Gladiator® GarageWorks dealer to determine if another warranty applies.

If you need service, call the Gladiator® GarageWorks Customer eXperience Center, **1-866-342-4089** (toll-free), from anywhere in the U.S.A. In Canada, contact your Whirlpool Canada LP designated service company or call **1-800-807-6777**.

In the United States, Gladiator® GarageWorks means Whirlpool Corporation, Benton Harbor, Michigan 49022. In Canada, Gladiator® GarageWorks means Whirlpool Canada LP, Mississauga, ON L5N 3A7.

6/06

Keep this book and your sales slip together for future reference. You must provide proof of purchase or installation date for in-warranty service.

Write down the following information about your Wall GearBox Cabinet to better help you obtain assistance or service if you ever need it. You will need to know your complete model number and serial number. You can find this information on the model and serial label located on the inside of the product.

Dealer name _____
Address _____
Phone number _____
Model number _____
Serial number _____
Purchase date _____

SEGURIDAD DEL ARMARIO

Su seguridad y la seguridad de los demás es muy importante.

Hemos incluido muchos mensajes importantes de seguridad en este manual y en su electrodoméstico. Lea y obedezca siempre todos los mensajes de seguridad.



Este es el símbolo de advertencia de seguridad.

Este símbolo le llama la atención sobre peligros potenciales que pueden ocasionar la muerte o una lesión a usted y a los demás.

Todos los mensajes de seguridad irán a continuación del símbolo de advertencia de seguridad y de la palabra "PELIGRO" o "ADVERTENCIA". Estas palabras significan:

⚠ PELIGRO

Si no sigue las instrucciones de inmediato, usted puede morir o sufrir una lesión grave.

⚠ ADVERTENCIA

Si no sigue las instrucciones, usted puede morir o sufrir una lesión grave.

Todos los mensajes de seguridad le dirán el peligro potencial, le dirán cómo reducir las posibilidades de sufrir una lesión y lo que puede suceder si no se siguen las instrucciones.

INSTRUCCIONES DE ENSAMBLAJE

Piezas y herramientas

Reúna las herramientas y piezas necesarias antes de comenzar la instalación.

Herramientas necesarias:

- Llave de tuercas de 1/2" (para el montaje en los paneles GearWall® o los canales GearTrack™)
- Destornillador Phillips
- Llave de tuercas de 7/16" (para el montaje estándar)

Piezas necesarias para el montaje en la pared estándar:

- Tirafondos de 1/4" – 20 x 1 1/2" (4)
- Arandelas planas de 1/4" (4)

Piezas suministradas para el armario de 24" (60,96 cm):

- Estante de ancho completo (1)
- Soporte de montaje (1)
- Pernos de carruaje de 1/4" x 1/2" (2)
- Tuercas hexagonales (2)
- Arandelas (2)

Piezas suministradas para el armario de 30" (76 cm):

- Estantes de ancho completo (2)
- Soportes de montaje (2)
- Pernos de carruaje de 1/4" x 1/2" (4)
- Tuercas hexagonales (4)
- Arandelas (4)
- Llave (1)

Requisitos de uso del armario

- Diseñado para usarse en un garage.
- El límite de peso máximo es de 50 lbs (22 kg) para cada estante.
- El límite de peso máximo es de 150 lbs (68 kg) para el armario de 24" (60,96 cm).
- El límite de peso máximo es de 200 lbs (91 kg) para el armario de 30" (76 cm).

Desempaquete del armario

1. Abra la puerta del armario.
NOTA: En el armario de 30" (76 cm), usted deberá primero quitar la llave, que está ubicada en la manija, y destrabar la puerta.
2. Quite y verifique el contenido. Vea "Piezas suministradas" en "Piezas y herramientas".
3. Deshágase de todos los materiales de embalaje o recíclelos.

Monte el armario en la pared

⚠ ADVERTENCIA

Peligro de Peso Excesivo

Use dos o más personas para mover, ensamblar o instalar el armario.

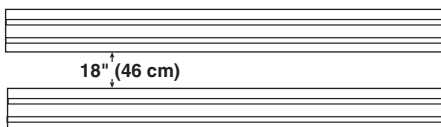
No seguir esta instrucción puede ocasionar una lesión en la espalda u otro tipo de lesiones.

IMPORTANTE: Decida si va a instalar el armario sobre los paneles Gladiator® GearWall®, los canales GearTrack™ o sobre una pared estándar. Siga las instrucciones que sean aplicables para su instalación.

Instale el armario a los paneles GearWall® o los canales GearTrack™

IMPORTANTE:

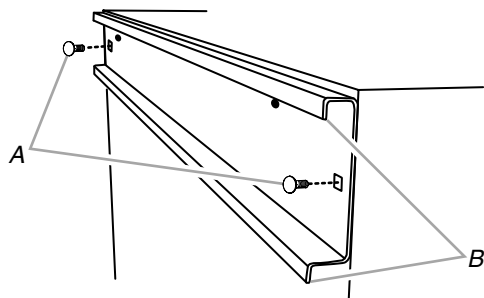
- Asegúrese de que los paneles GearWall® de Gladiator® o los canales GearTrack™ estén instalados con tornillos de montaje en cada ranura y en cada ubicación de los pies derechos, con un máximo de 24" (60,96 cm) horizontalmente entre los tornillos.
- Si se utilizan los canales GearTrack™ de Gladiator® para montar el armario de pared de acero fundido para herramientas, deberán instalarse a una distancia de 18" (45,72 cm).



Armario de 24" (60,96 cm)

Cómo fijar el soporte

1. Con los bordes de un soporte de montaje mirando hacia abajo, alinee los orificios en el soporte con el par de orificios en el panel posterior.
2. Trabajando desde la parte posterior, inserte un perno de carruaje a través del soporte y del panel posterior, como se muestra.



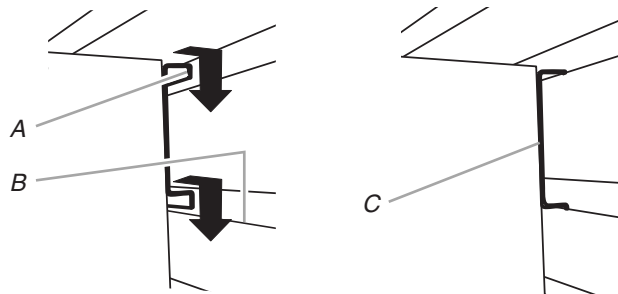
A. Pernos de carruaje
B. Borde del soporte

3. Trabajando desde el interior del armario, ajuste cada perno con una arandela y una tuerca hexagonal. Apriete por completo las tuercas.

Instalación del armario

IMPORTANTE: Si va a instalar el armario con el canal GearTrack™, deberá instalarse un segundo canal 18" (45,72 cm) por debajo de la parte inferior del canal de soporte de manera que el armario cuelgue nivelado.

1. Cierre las puertas del armario.
2. Determine la ubicación para el montaje del armario en el panel GearWall® o en los canales GearTrack™.
3. Con la ayuda de dos o más personas, acople el soporte de montaje en las ranuras de la pared levantando, empujando hacia la pared y bajando los bordes del soporte dentro de las ranuras como se muestra.
4. Asegúrese de que el soporte de montaje de la pared esté acoplado completamente en las ranuras como se muestra.



A. Borde del soporte
B. Ranura
C. Soporte de montaje completamente acoplado

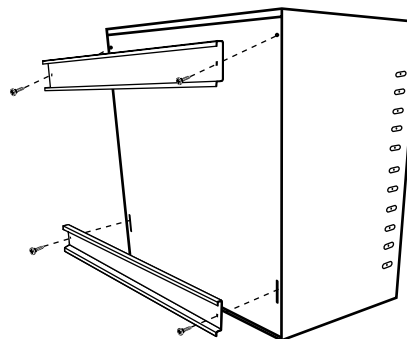
5. Si desea cambiar el sentido de apertura de la puerta, vea "Cómo invertir el cierre de la puerta".
6. Fije permanentemente el pestillo magnético al armario sacando el reverso de papel del adhesivo y presionando el pestillo con firmeza contra el armario.

Armario de 30" (76 cm)

Cómo fijar los soportes

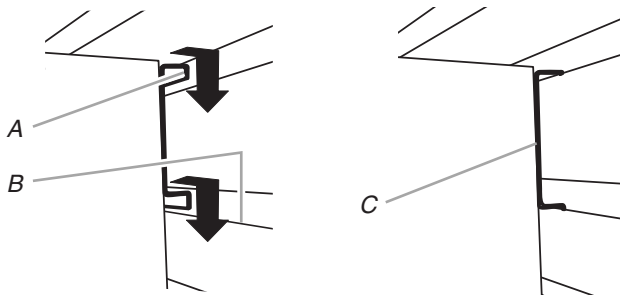
1. Con los bordes de un soporte de montaje mirando hacia abajo, alinee los orificios en el soporte con el par de orificios en el panel posterior.
2. Trabajando desde la parte posterior, inserte un perno de carruaje a través del soporte y del panel posterior.
3. Trabajando desde el interior del armario, ajuste cada perno con una arandela y una tuerca hexagonal. Apriete por completo las tuercas.
4. Con los bordes del soporte de montaje mirando hacia abajo, alinee los orificios en el soporte con el par inferior de ranuras en el panel posterior.
5. Trabajando desde la parte posterior, inserte un perno de carruaje a través del soporte inferior y del panel posterior.
6. Trabajando desde el interior del armario, ajuste cada perno con una arandela y una tuerca hexagonal. Apriete las tuercas solamente con la mano. Se deberá ajustar el soporte inferior para montar el armario a la pared.

IMPORTANTE: Apriete las tuercas por completo sobre el soporte inferior, después de montar el armario en la pared.



Instalación del armario

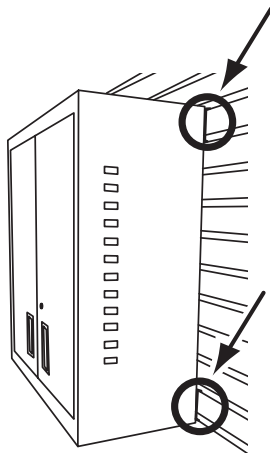
1. Cierre las puertas del armario.
2. Determine la ubicación para el montaje del armario en los paneles GearWall® o GearTrack™ channels.
3. Con la ayuda de dos o más personas, acople el soporte de montaje superior en las ranuras de la pared levantando o empujando hacia la pared y bajando los bordes de montaje dentro en las ranuras como se muestra.
4. Asegúrese de que el soporte de montaje de la pared superior esté acoplado completamente en las ranuras como se muestra.
5. Abra las puertas del armario.
6. Desde el interior del armario, levante los dos pernos inferiores para ajustar el soporte de montaje inferior, hasta que quede alineado con las ranuras en el panel GearWall® o los canales GearTrack™.
7. Empuje el armario hacia el panel GearWall® o los canales GearTrack™ y baje los bordes del soporte de montaje inferior hasta las ranuras.
8. Asegúrese de que el soporte de montaje inferior esté completamente acoplado en las ranuras.



A. Borde del soporte
B. Ranura

C. Soporte de montaje completamente acoplado

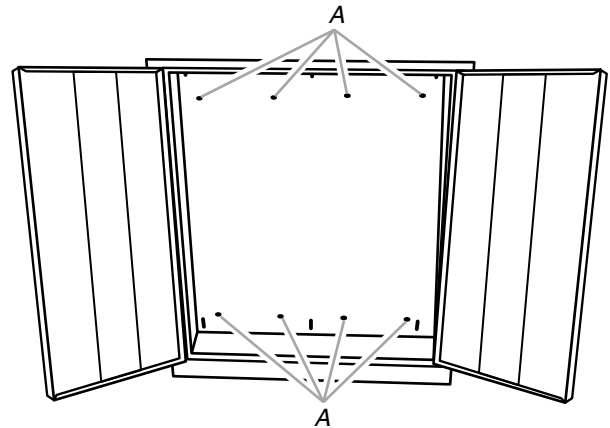
9. Apriete las dos tuercas que están sobre el soporte inferior de montaje de la pared con una llave de tuercas de 1/2".
10. Inspeccione el armario en ambos lados para asegurarse de que tanto los soportes de montaje superior como el inferior estén acoplados completamente en sus respectivas ranuras, como se muestra.



Instale el armario en la pared estándar

IMPORTANTE: Los orificios redondos que están en los paneles posteriores superior e inferior del armario están espaciados 8" (20,32 cm) para montar el armario de pared a los pies derechos de la pared de su garage.

1. Ubique los pies derechos de madera en la pared de su garage.
2. Alinee dos orificios de arriba y dos orificios de abajo con los pies derechos de madera y marque la ubicación de los orificios.
3. Mientras dos o más personas sostengan el armario en su lugar en la pared, sujete el armario de pared a la pared del garage usando las arandelas planas de 1/4" y los tirafondos de 1/4" - 20 x 1 1/2" (no provistos).
4. Apriete completamente los tirafondos usando una llave de tuercas de 7/16".



A. Orificios para el montaje de la pared estándar

Ajuste de los estantes

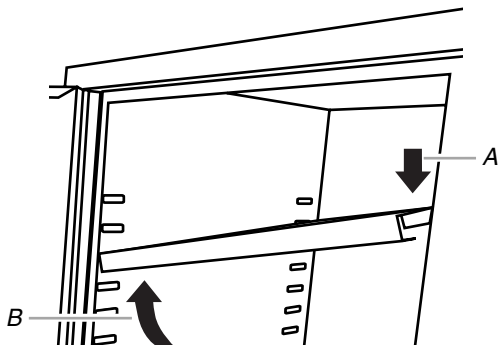
Para quitar los estantes

1. Retire los sujetadores del estante de su posición de embalaje en los lados y la parte posterior del armario. Empuje hacia afuera los sujetadores de plástico del estante trabajando desde el interior del armario usando una herramienta de extremo romo. Descarte los sujetadores.
2. Levante la parte de abajo del estante hasta que los bordes del mismo se liberen de las ranuras del armario.
3. Incline hacia arriba el estante para cambiarlo de posición dentro del armario o para quitarlo del mismo.

Para volver a colocar los estantes

NOTA: Planifique la altura de los estantes e instálelos comenzando desde la parte inferior. Las lengüetas de metal sostienen a los estantes en las paredes posterior y lateral del armario.

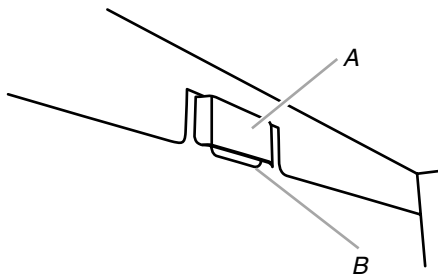
1. Determine la ubicación de los estantes.
2. Inclíne el estante de manera que quede un extremo más alto que el otro, como se muestra.



A. Empuje hacia abajo
B. Levante

3. Inserte el estante en el armario de manera que el extremo más alto esté directamente encima de las ranuras deseadas y empujelo hacia abajo para encajarlo en su lugar detrás de las ranuras laterales.
4. Levante el extremo inferior de manera que quede directamente por encima de las ranuras deseadas y empuje el estante hacia abajo.

NOTA: Asegúrese de que las lengüetas del estante estén colocadas detrás de todas las ranuras, como se muestra.



A. Ranura
B. Lengüeta del estante

5. Repita este proceso para el otro estante.

Ajuste de la(s) puerta(s)

Los armarios están diseñados con puerta(s) ajustable(s).

1. Usando un destornillador Phillips, afloje todos los tornillos que sujetan la bisagra al armario.
2. Ajuste la puerta a la altura deseada.
3. Apriete los tornillos.

Cómo invertir el cierre de la puerta (sólo para los armarios modulares de 24" (60,96 cm))

Estilo 1 – Pestillo magnético

1. Usando un destornillador Phillips, quite todos los tornillos que aseguran la bisagra de la puerta al armario.
2. Coloque la banda magnética en el lugar deseado, sobre el lado opuesto del armario.

NOTA: Fije permanentemente el pestillo magnético al armario sacando el reverso de papel del adhesivo y presionando el pestillo con firmeza contra el armario.

3. Usando los tornillos que quitó en el paso 1, vuelva a sujetar la bisagra de la puerta del armario en el lado opuesto del armario.

Estilo 2 – Pestillo mecánico

1. Usando un destornillador Phillips, quite todos los tornillos que aseguran la bisagra de la puerta al armario. Ponga a un lado la puerta del armario.
2. Retire la tuerca que asegura el pestillo de la puerta al armario. Vuelva a sujetar el pestillo de la puerta en el orificio del lado opuesto del armario.
3. Usando los tornillos que quitó en el paso 1, vuelva a sujetar la bisagra de la puerta en el lado opuesto del armario.

GARANTÍA DEL ARMARIO DE PARED DE ACERO FUNDIDO PARA HERRAMIENTAS DE GLADIATOR® GARAGEWORKS

GARANTÍA LIMITADA DE POR VIDA

Durante la vida útil del producto, siempre y cuando se dé al armario modular para herramientas un uso y mantenimiento de conformidad con las instrucciones adjuntas o provistas con el producto, Gladiator® GarageWorks pagará por el reemplazo o la reparación del producto defectuoso o las piezas para corregir defectos en los materiales o en la mano de obra.

Gladiator® GarageWorks no pagará por:

1. Visitas de servicio técnico para corregir la instalación de cualquier producto de Gladiator® GarageWorks o para enseñarle a usarlo o instalarlo.
2. Daños causados por mal manejo o envío de productos, o productos dañados por accidente, uso indebido, abuso, incendio, inundación, instalación incorrecta, actos fortuitos, negligencia, corrosión, modificación o maltrato.
3. Costo de envío o flete para entregar productos de repuesto o para devolver productos defectuosos.
4. Reparaciones o reemplazo cuando su producto ha sido empleado para fines ajenos al uso doméstico normal en la casa de una familia, tal como uso en un lugar comercial o se haya tratado de alguna manera en contra de las instrucciones de instalación incluidas con el producto.
5. Daños estéticos incluyendo rayaduras, golpes, abolladuras o rajaduras que no afecten la capacidad estructural o de funcionamiento del producto.
6. Piezas o productos de repuesto de productos Gladiator® GarageWorks que se empleen fuera de los Estados Unidos o Canadá.
7. En Canadá, gastos de viaje o de transporte para clientes que residen en zonas distantes.
8. Cualquier gasto de mano de obra durante el período de la garantía limitada.
9. Daños causados por la carga indebida que exceda del peso máximo especificado que se detalla en las instrucciones de ensamblaje provistas con el producto, incluyendo la sobrecarga de ganchos, canastas, estantes, armarios y otros accesorios de Gladiator® GarageWorks usados con este producto.
10. Daños causados por el uso de ganchos, estantes, canastas y otros accesorios no distribuidos o aprobados por Gladiator® GarageWorks.
11. Superficies dañadas debido a la interacción química que dé como resultado la corrosión de pintura o de metal.
12. Mecanismo de traba o llaves de reemplazo.
13. Pérdida del contenido del producto debida a robo, incendio, inundación, accidente o actos fortuitos.

EXCLUSIÓN DE GARANTÍAS IMPLÍCITAS; LIMITACIÓN DE RECURSOS

LAS GARANTÍAS IMPLÍCITAS, INCLUYENDO EN LA MEDIDA QUE CORRESPONDA LAS GARANTÍAS DE COMERCIABILIDAD O DE CAPACIDAD PARA UN PROPÓSITO PARTICULAR, SON EXCLUIDAS EN LA MEDIDA EN QUE SEA LEGALMENTE PERMISIBLE. TODA GARANTÍA QUE SEA IMPUESTA POR LEY SERÁ LIMITADA A UN AÑO O AL PERÍODO MÁS CORTO PERMITIDO POR LEY. ALGUNOS ESTADOS Y PROVINCIAS NO PERMITEN LAS LIMITACIONES O EXCLUSIONES ACERCA DE CUÁNTO DEBE DURAR UNA GARANTÍA IMPLÍCITA DE COMERCIABILIDAD O CAPACIDAD, DE MODO QUE LAS LIMITACIONES O EXCLUSIONES ARRIBA MENCIONADAS PUEDEN NO APLICARSE EN SU CASO. ESTA GARANTÍA LE OTORGA DERECHOS LEGALES ESPECÍFICOS, Y ES POSIBLE QUE USTED TENGA TAMBIÉN OTROS DERECHOS, LOS CUALES VARÍAN DE UN ESTADO A OTRO O DE UNA PROVINCIA A OTRA.

Esta garantía no tiene vigor fuera de los cincuenta Estados Unidos y Canadá. Póngase en contacto con el distribuidor autorizado de Gladiator® GarageWorks para determinar si corresponde otra garantía.

Si necesita servicio llame al Centro para la eXperiencia del cliente de Gladiator® GarageWorks al **1-866-342-4089** (gratuito) desde cualquier lugar de los EE.UU. En Canadá, póngase en contacto con su compañía de servicio designada por Whirlpool Canada LP o llame al **1-800-807-6777**.

En los EE.UU., Gladiator® GarageWorks significa Whirlpool Corporation, Benton Harbor, Michigan 49022. En Canadá, Gladiator® GarageWorks significa Whirlpool Canada LP, Mississauga, ON L5N 3A7.

6/06

Guarde este libro y su comprobante de venta juntos para referencia futura. Usted deberá proporcionar evidencia de la compra o una fecha de instalación para obtener servicio bajo la garantía.

Escriba la siguiente información acerca del armario de pared para herramientas para ayudarle mejor a obtener asistencia o servicio técnico si alguna vez llegara a necesitarlo. Deberá tener a mano el número completo del modelo y de la serie. Usted puede encontrar esta información en la etiqueta con el número de modelo y de serie que está ubicada en el interior del producto.

Nombre del distribuidor _____

Dirección _____

Número de teléfono _____

Número de modelo _____

Número de serie _____

Fecha de compra _____

SÉCURITÉ DE L'ARMOIRE

Votre sécurité et celle des autres est très importante.

Nous donnons de nombreux messages de sécurité importants dans ce manuel et sur votre appareil ménager. Assurez-vous de toujours lire tous les messages de sécurité et de vous y conformer.



Voici le symbole d'alerte de sécurité.

Ce symbole d'alerte de sécurité vous signale les dangers potentiels de décès et de blessures graves à vous et à d'autres.

Tous les messages de sécurité suivront le symbole d'alerte de sécurité et le mot "DANGER" ou "AVERTISSEMENT". Ces mots signifient :

⚠ DANGER

Risque possible de décès ou de blessure grave si vous ne suivez pas immédiatement les instructions.

⚠ AVERTISSEMENT

Risque possible de décès ou de blessure grave si vous ne suivez pas les instructions.

Tous les messages de sécurité vous diront quel est le danger potentiel et vous disent comment réduire le risque de blessure et ce qui peut se produire en cas de non-respect des instructions.

INSTRUCTIONS D'ASSEMBLAGE

Outillage et pièces

Rassembler les outils et pièces nécessaires avant de commencer l'installation.

Outillage nécessaire :

- Clé de 1/2" (montage sur les panneaux GearWall® ou profilés GearTrack™)
- Clé de 7/16" (montage standard)
- Tournevis Phillips

Pièces nécessaires pour le montage standard :

- Vis d'ancrage 1/4" - 20 x 1 1/2" (4)
- Rondelles plates de 1/4" (4)

Pièces fournies pour armoire de 24" (60,96 cm) :

- Étagère pleine largeur (1)
- Rondelles (4)
- Bride de montage (1)
- Rondelles (2)
- Boulons de carrosserie de 1/4" x 1/2" (2)

Pièces fournies pour armoire de 30" (76 cm) :

- Étagères pleine largeur (2)
- Écrous hexagonaux (4)
- Brides de montage (2)
- Rondelles (4)
- Boulons de carrosserie de 1/4" x 1/2" (4)
- Clé (1)

Spécifications d'utilisation de l'armoire

- Pour utilisation dans un garage.
- Charge maximale de 50 lb (22 kg) pour chaque étagère.
- Charge maximale de 150 lb (68 kg) pour l'armoire de 24" (60,96 cm).
- Charge maximale de 200 lb (91 kg) pour l'armoire de 30" (76 cm).

Déballage de l'armoire

1. Ouvrir la porte de l'armoire.
REMARQUE : Pour l'armoire de 30" (76 cm), enlever d'abord la clé, située dans la poignée, et déverrouiller la porte.
2. Enlever le contenu; vérifier la présence de tous les articles. Voir "Pièces fournies".
3. Jeter ou recycler tous les matériaux d'emballage.

Montage de l'armoire sur le mur

AVERTISSEMENT

Risque du poids excessif

Utiliser deux ou plus de personnes pour déplacer, assembler, ou installer l'armoire.

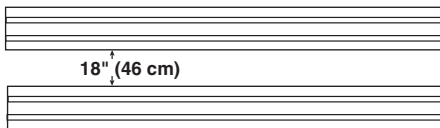
Le non-respect de cette instruction peut causer une blessure au dos ou d'autre blessure.

IMPORTANT : Décider si l'armoire sera installée sur les panneaux GearWall® ou les profilés GearTrack™ de Gladiator®, ou sur un mur standard. Suivre les instructions correspondant à votre installation.

Installation de l'armoire sur les panneaux GearWall® ou profilés GearTrack™

IMPORTANT :

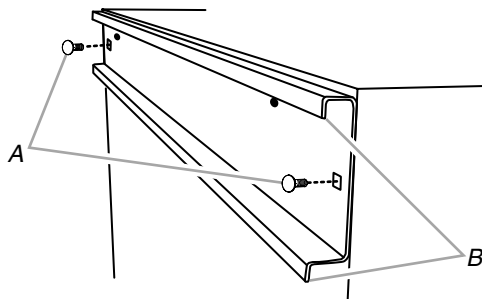
- Vérifier que les panneaux GearWall® sont correctement installés - avec vis de montage dans chaque fente et au niveau de chaque poteau de colombage mural, avec espacement maximum de 24" (60,96 cm) horizontalement entre les vis.
- Si des profilés GearTrack™ sont utilisés pour supporter la grande armoire à outils Gladiator®, ils doivent être installés à 18" (45,72 cm) l'un de l'autre.



Armoire de 24" (60,96 cm)

Fixation de la bride

1. Avec les rives de la bride de montage pointant vers le bas, aligner les trous de la bride avec les deux trous du panneau arrière.
2. En partant de l'arrière, insérer un boulon de carrosserie à travers la bride et le panneau arrière, tel qu'illustré.



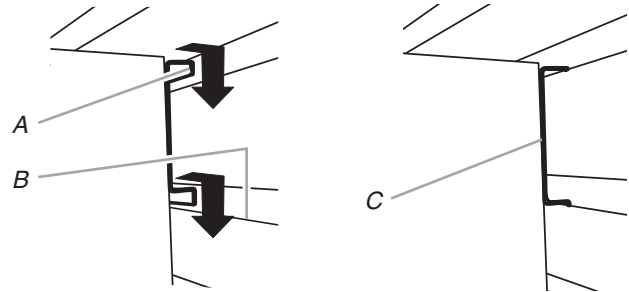
A. Écrous de carrosserie
B. Rive de la bride

3. En partant de l'intérieur de l'armoire, fixer chaque boulon avec une rondelle et un écrou hexagonal. Serrer complètement les écrous.

Installation de l'armoire

IMPORTANT : Si on installe l'armoire sur un profilé GearTrack™, un second profilé doit être installé à 18" (45,72 cm) au-dessous de la partie inférieure du profilé porteur. L'armoire suspendue sera alors d'aplomb.

1. Fermer la/les porte(s) de l'armoire.
2. Déterminer la position de montage de l'armoire sur le panneau GearWall® ou les profilés GearTrack™.
3. Avec la participation de deux personnes ou plus, engager la tringle de montage dans les fentes murales - soulever et pousser vers le mur, puis abaisser pour engager les rives de la tringle dans les fentes tel qu'illustré.
4. Vérifier que la tringle de montage est parfaitement engagée dans les fentes tel qu'illustré.



A. Rive de la tringle
B. Fente

C. Tringle de montage parfaitement engagée

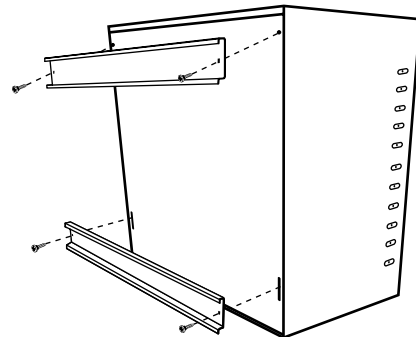
5. Pour inverser le sens d'ouverture de la porte, voir la section "Inversion du sens d'ouverture de la porte".
6. Fixer de façon permanente le loquet magnétique à l'armoire; ôter l'endos de l'adhésif et appuyer fermement le loquet magnétique sur l'armoire.

Armoire de 30" (76 cm)

Fixation des brides

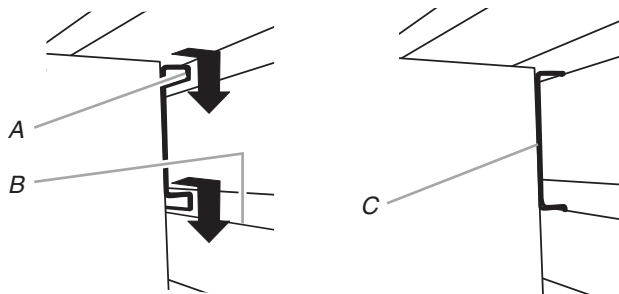
1. Avec les rives de la bride de montage pointant vers le bas, aligner les trous de la bride avec les deux trous du panneau arrière.
2. En partant de l'arrière, insérer un boulon de carrosserie à travers la bride et le panneau arrière.
3. En partant de l'intérieur de l'armoire, fixer chaque boulon avec une rondelle et un écrou hexagonal. Serrer complètement les écrous.
4. Avec les rives de la bride de montage pointant vers le bas, aligner les trous de la bride avec les deux fentes inférieures du panneau arrière.
5. En partant de l'arrière, insérer un boulon de carrosserie à travers la bride inférieure et le panneau arrière.
6. En partant de l'intérieur de l'armoire, fixer chaque boulon avec une rondelle et un écrou hexagonal. Serrer les écrous uniquement à la main. La bride inférieure devra être ajustée pour installer l'armoire sur le mur.

IMPORTANT : Serrer complètement les écrous sur la bride inférieure après avoir monté l'armoire sur le mur.



Installation de l'armoire

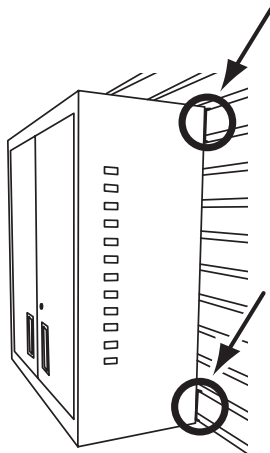
1. Fermer les portes de l'armoire.
2. Déterminer la position de montage de l'armoire sur le panneau GearWall® ou les profilés GearTrack™.
3. Avec la participation de deux personnes ou plus, engager la tringle de montage supérieure dans les fentes murales - soulever et pousser vers le mur, puis abaisser pour engager les rives de la tringle dans les fentes tel qu'illustré.
4. Vérifier que la tringle de montage supérieure est parfaitement engagée dans les fentes tel qu'illustré.
5. Ouvrir les portes de l'armoire.
6. Depuis l'intérieur, soulever la tringle de montage inférieure par les deux vis pour aligner la tringle de montage avec les fentes du panneau GearWall® ou des profilés GearTrack™.
7. Pousser l'armoire vers le panneau GearWall® ou des profilés GearTrack™, et abaisser les rives de la tringle de montage inférieure dans les fentes.
8. Vérifier que la tringle de montage inférieure est parfaitement engagée dans les fentes.



A. Rive de la tringle
B. Fente

C. Tringle de montage
parfaitement engagée

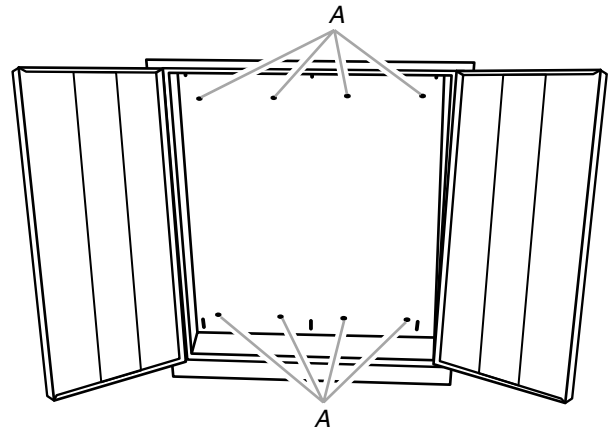
9. Serrer les deux écrous de la tringle de montage inférieure, avec une clé de 1/2".
10. Inspecter l'armoire par les côtés - vérifier que les tringles de montage supérieure et inférieure sont parfaitement engagées dans les fentes. Voir l'illustration.



Installation de l'armoire sur un mur standard

IMPORTANT : L'espacement des trous ronds dans les panneaux arrière supérieur et inférieur de l'armoire (8" [20,32 cm]) permet le montage de l'armoire sur les poteaux du colombage mural du garage.

1. Identifier la position des poteaux du colombage mural du garage.
2. Aligner deux trous du sommet et deux trous du bas avec chaque poteau du colombage; marquer la position des trous.
3. Tandis que deux personnes ou plus maintiennent l'armoire en place contre le mur, fixer l'armoire sur le mur du garage - utiliser les vis d'ancrage 1/4" - 20 x 1 1/2" munies d'une rondelle plate de 1/4" (non fournies).
4. Serrer complètement les vis avec une clé de 7/16".



A. Trous pour montage mural standard

Réglage des étagères

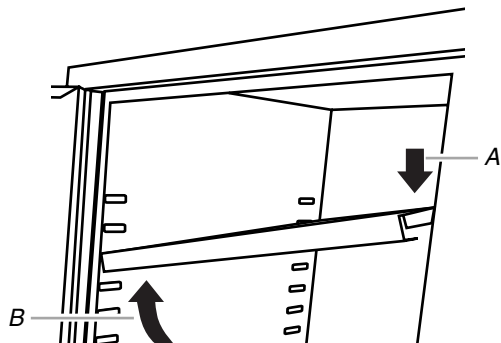
Pour enlever les étagères

1. Retirer les agrafes des étagères de leur position d'expédition sur les côtés et à l'arrière de la caisse. Par l'intérieur de la caisse et à l'aide d'un outil à bout arrondi, appuyer sur les agrafes de l'étagère en plastique pour les sortir. Jeter les agrafes.
2. Soulever l'étagère en poussant par-dessous jusqu'à ce que les languettes de l'étagère se dégagent des fentes de l'armoire.
3. Incliner l'étagère vers le haut pour la repositionner à l'intérieur de l'armoire ou pour la retirer.

Pour réinstaller les étagères

REMARQUE : Sélectionner la hauteur d'installation des étagères; installer chaque étagère, à partir du bas. Les étagères sont soutenues par des languettes métalliques à l'arrière et sur les parois latérales.

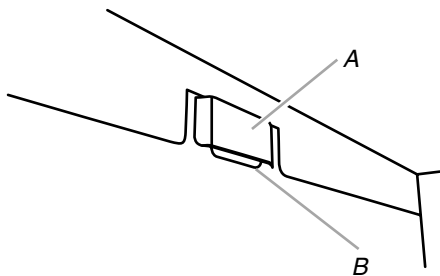
1. Déterminer la position de chaque étagère.
2. Incliner l'étagère à poser comme sur l'illustration - une extrémité doit être plus haute que l'autre.



A. Enfoncer
B. Soulever

3. Insérer l'étagère dans l'armoire pour que le bord le plus haut soit directement au-dessus des fentes utilisées et installer l'étagère en l'enfonçant derrière les fentes latérales.
4. Soulever le bord le plus bas pour le placer directement au-dessus des fentes utilisées et installer l'étagère.

REMARQUE : S'assurer que les languettes des étagères sont en place derrière toutes les fentes de l'armoire – voir l'illustration.



A. Fente
B. Languette de l'étagère

5. Répéter ce processus pour chaque étagère.

Réglage de la/ des porte(s)

Les armoires sont dotées de porte(s) réglable(s).

1. Avec un tournevis Phillips, desserrer toutes les vis fixant la charnière sur l'armoire.
2. Ajuster hauteur de la porte.
3. Resserrer les vis.

Inversion du sens d'ouverture de la porte (armoire murale de 24" (60,96 cm) seulement)

Style 1 - Loquet magnétique

1. À l'aide d'un tournevis Phillips, enlever toutes les vis qui fixent la charnière de porte de l'armoire à l'armoire.
2. Placer les bandes magnétiques à l'emplacement désiré du côté opposé de l'armoire.

REMARQUE : Fixer de façon permanente le loquet magnétique à l'armoire; ôter le papier au dos de l'adhésif et appuyer fermement le loquet magnétique sur l'armoire.

3. À l'aide des vis qui ont été enlevées à l'étape 1, refixer la charnière de porte de l'armoire de l'autre côté de l'armoire.

Style 2 - Loquet mécanique

1. À l'aide d'un tournevis Phillips, enlever toutes les vis qui fixent la charnière de porte de l'armoire à l'armoire. Mettre la porte de l'armoire de côté.
2. Ôter l'écrou fixant le loquet de la porte de l'armoire à l'armoire murale. Refixer le loquet de la porte de l'armoire dans le trou du côté opposé de l'armoire murale.
3. À l'aide des vis qui ont été enlevées à l'étape 1, refixer la charnière de porte de l'armoire de l'autre côté de l'armoire.

GARANTIE DE L'ARMOIRE À OUTILS MURALE EN ACIER SOUDÉ GLADIATOR® GARAGEWORKS

GARANTIE LIMITÉE À VIE

Pendant toute la durée de vie du produit, lorsque l'armoire à outils murale est utilisée et entretenue conformément aux instructions jointes à ou fournies avec le produit, Gladiator® GarageWorks paiera pour la réparation ou le remplacement du produit ou des pièces défectueuses pour corriger les vices de matériaux ou de fabrication.

Gladiator® GarageWorks ne paiera pas pour :

1. Les appels de service pour rectifier l'installation de tout produit Gladiator® GarageWorks ou pour expliquer comment l'utiliser ou l'installer.
2. Les dommages causés par une manipulation ou une expédition des produits incorrecte, ou les produits endommagés par accident, mésusage, abus, incendie, inondation, installation incorrecte, actes de Dieu, négligence, corrosion, modification ou mauvaise manipulation.
3. Les frais d'expédition ou de transport pour livrer des produits de rechange ou retourner des produits défectueux.
4. Les réparations ou remplacements lorsque le produit est utilisé autrement que dans une utilisation normale, unifamiliale, comme dans un environnement commercial, ou manipulé d'une façon non conforme aux instructions d'installation fournies avec le produit.
5. Les défauts d'apparence - éraflures, traces de choc ou fissures - n'affectant pas la fonctionnalité ou la résistance structurale du produit.
6. Les pièces ou le produit de rechange pour les produits Gladiator® GarageWorks qui sont utilisés en dehors des États-Unis ou du Canada.
7. Au Canada, les frais de déplacement ou de transport pour les clients qui habitent dans des régions éloignées.
8. Tous les frais de main-d'œuvre encourus au cours de la période de garantie limitée.
9. Les dommages causés par un chargement incorrect au-delà de la capacité de poids maximum spécifiée dans les instructions d'assemblage fournies avec le produit, y compris la surcharge de crochets, paniers, étagères, armoires et autres accessoires Gladiator® GarageWorks utilisés avec le produit.
10. Les dommages causés par l'utilisation de crochets, étagères, paniers et autres accessoires non distribués ou approuvés par Gladiator® GarageWorks.
11. Les surfaces endommagées par une interaction chimique causée par la corrosion de la peinture ou du métal.
12. Les clés ou mécanisme de verrouillage de rechange.
13. La perte du contenu du produit due à vol, incendie, inondation, accident ou actes de Dieu.

CLAUSE D'EXONÉRATION DE RESPONSABILITÉ AU TITRE DES GARANTIES IMPLICITES; LIMITATION DES RECOURS

LES GARANTIES IMPLICITES, Y COMPRIS LES GARANTIES PROLONGÉES APPLICABLES DE QUALITÉ MARCHANDE ET D'APTITUDE À UN USAGE PARTICULIER, SONT EXCLUES DE LA PRÉSENTE GARANTIE, ET CE DANS LES LIMITES AUTORISÉES PAR LA LOI. TOUTE GARANTIE IMPLICITE POUVANT ÊTRE IMPOSÉE PAR LA LOI EST LIMITÉE À UN AN, OU À LA PLUS COURTE PÉRIODE AUTORISÉE PAR LA LOI. CERTAINES JURIDICTIONS NE PERMETTENT PAS LA LIMITATION DE LA DURÉE DE VALIDITÉ DES GARANTIES IMPLICITES DE QUALITÉ MARCHANDE OU D'APTITUDE À UN USAGE PARTICULIER; PAR CONSÉQUENT LES LIMITATIONS OU EXCLUSIONS STIPULÉES DANS LES PRÉSENTES PEUVENT NE PAS VOUS ÊTRE APPLICABLES. CETTE GARANTIE VOUS CONFÈRE DES DROITS JURIDIQUES SPÉCIFIQUES ET VOUS POUVEZ ÉGALEMENT JOUIR D'AUTRES DROITS QUI PEUVENT VARIER D'UN ÉTAT À L'AUTRE OU D'UNE PROVINCE À L'AUTRE.

À l'extérieur du Canada et des 50 États des États-Unis, cette garantie ne s'applique pas. Contacter votre marchand Gladiator® GarageWorks autorisé pour déterminer si une autre garantie s'applique.

Si vous avez besoin de service, appelez le Centre pour l'eXpérience de la clientèle de Gladiator® GarageWorks au **1-866-342-4089** (sans frais), de n'importe où aux E.-U. Au Canada, contactez votre compagnie de service désignée par Whirlpool Canada LP ou composez le **1-800-807-6777**.

Aux États-Unis, Gladiator® GarageWorks correspond à Whirlpool Corporation, Benton Harbor, Michigan 49022. Au Canada, Gladiator® GarageWorks correspond à Whirlpool Canada LP, Mississauga, ON L5N 3A7. 6/06

Conservez ce manuel et votre reçu de vente ensemble pour référence ultérieure. Pour le service sous garantie, vous devez présenter un document prouvant la date d'achat ou d'installation.

Inscrivez les renseignements suivants à propos de l'armoire à outils murale pour mieux obtenir assistance ou service en cas de besoin. Vous devrez connaître le numéro de modèle et le numéro de série au complet. Vous trouverez ces renseignements sur la plaque signalétique située à l'intérieur du produit.

Nom du marchand _____

Adresse _____

Numéro de téléphone _____

Numéro de modèle _____

Numéro de série _____

Date d'achat _____

2317587A

© 2006 Whirlpool Corporation.

All rights reserved.

Todos los derechos reservados.

Tous droits réservés.

® Registered Trademark/TM Trademark of Whirlpool, U.S.A., Whirlpool Canada LP Licensee in Canada

® Marca registrada/TM Marca de comercio de Whirlpool, U.S.A., usada bajo licencia de Whirlpool Canada LP en Canadá

® Marque déposée/TM Marque de commerce de Whirlpool, U.S.A., emploi licencié par Whirlpool Canada LP au Canada

8/06

Printed in U.S.A.

Impreso en EE.UU.

Imprimé aux É.-U.