



**LiteDeer
Homes**

User Guider

Installation and Operation



Litestar 30 Inch Smart Electric Fireplace Insert- Model: ZEF38VC-II



Smart Control



2 Years Warranty



Adjustable Flame



No Harmful Fumes Emittted



Energy Saving

1-888-700-5228

LiteDeerHomes.com

11151 Bridgeport #1718, Richmond, BC V6X 1T3



Check with your local building code before installation.

Table of Contents



Welcome & Congratulations4



IMPORTANT SAFETY INSTRUCTIONS 5-6



Installation7-10



Grounding Instructions 11



Operation 11-12



Maintenance 12



Warranty13



Technical Support 14



Troubleshooting14

Always Call a qualified technician or service agency to Install or repair



NOTE: Procedures and techniques that are considered important enough to emphasize.



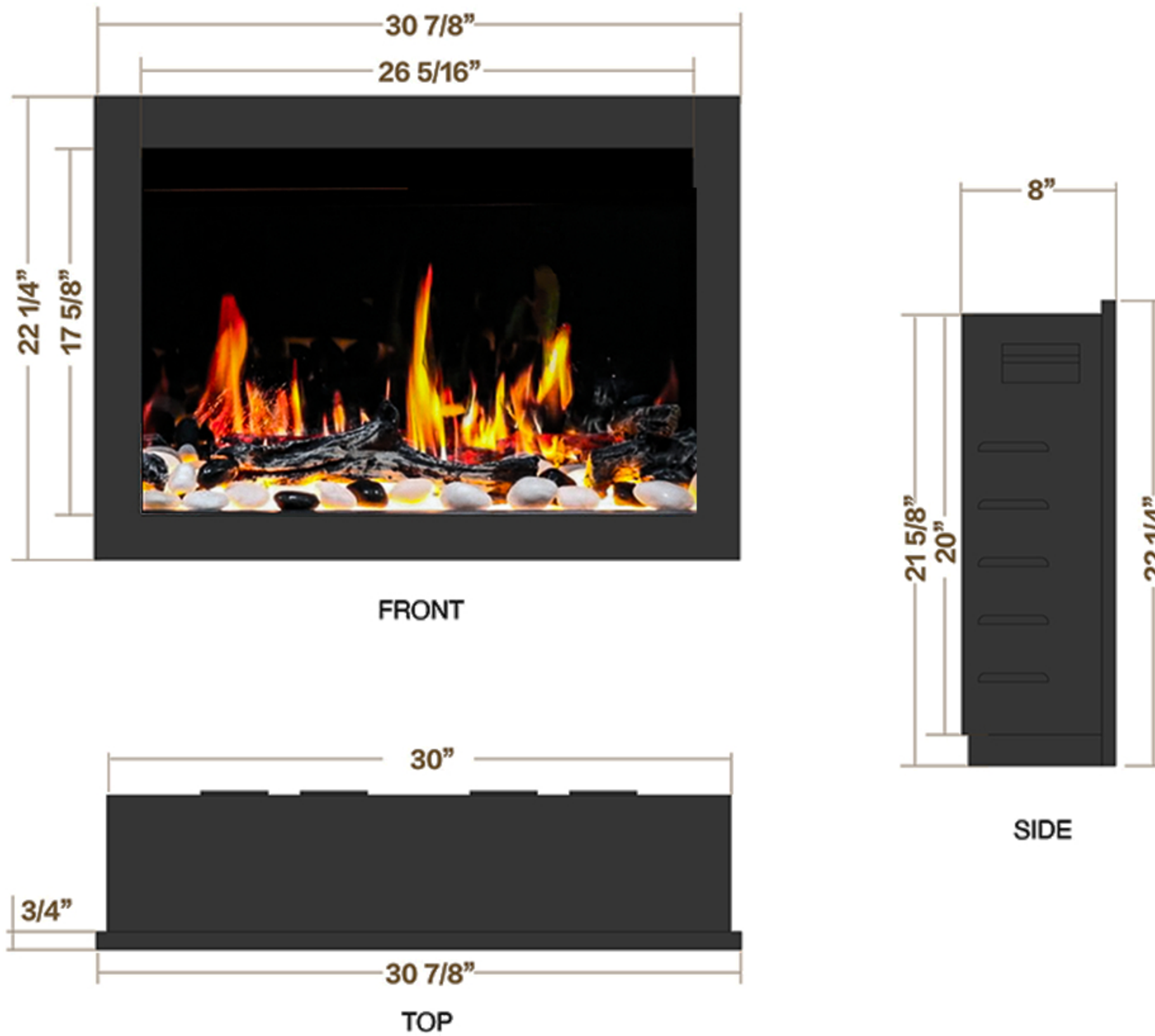
CAUTION: Procedures and techniques which, if not carefully followed, will result in damage to the equipment.



WARNING: Procedures and techniques which, if not carefully followed, will expose the user to the risk of fire, serious injury, or death.



Specifications

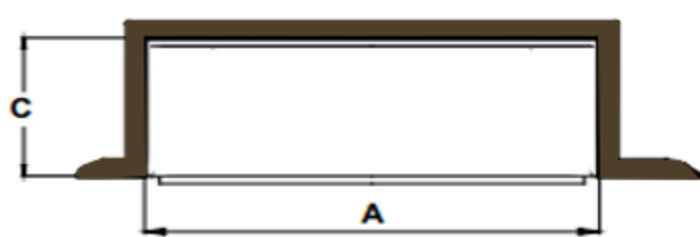


ELECTRICAL CONNECTION REQUIREMENTS

Circuit	Connection Method	BTus	Watts
15 AMP, 120V/60Hz	Plug-in /Hardwire	5,000	750/1500

FRAMING WIDTH A	FRAMING HEIGHT B	FRAMING DEPTH C	FRAMING WIDTH D	FRAMING DEPTH E	FRAMING DEPTH F
30" (763 mm)	21 5/8" (550 mm)	8" (203 mm)	38" (966 mm)	26 7/8" (684 mm)	30" (763 mm)

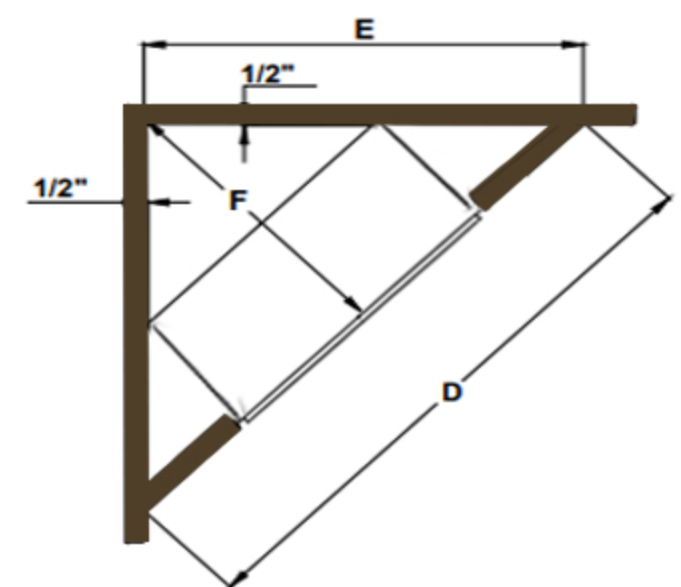
TOP VIEW



FRONT VIEW



CORNER VIEW



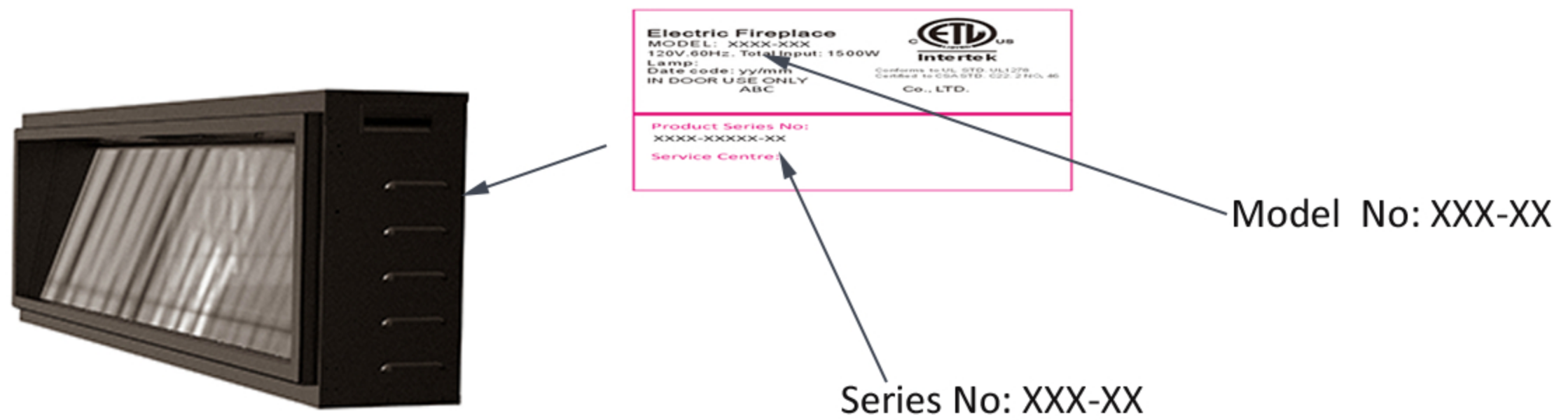
IMPORTANT SAFETY INFORMATION: Always read this manual first before attempting to install. For your safety, always comply with all warnings and safety instructions contained in this manual to prevent personal injury or property damage.

For more product information, please visit www.litedeerhomes.com



Welcome & Congratulations

Thank you and congratulations for purchasing LiteDeer Homes electric Fireplace. Please use our convenient online registration page to record your model and serial numbers for future reference at www.litedeerhomes.com/register



Please carefully read and save these instructions.



CAUTION: Read all instructions and warnings carefully before starting installation. Failure to follow these instructions may result in a possible electric shock, fire hazard and will void the warranty.



NO NEED TO RETURN TO THE STORE

Questions with operation or assembly? Require Parts Information?

Contact us at:  www.litedeerhomes.com/customer_support

Product Under Manufacturer's Warranty?

For Troubleshooting and Technical Support

OR  Toll-Free 1 888 700 5228

In order to better serve you, please have your model and serial number ready or register your product online before calling (See above)

IMPORTANT SAFETY INSTRUCTIONS



When using electrical appliances, basic precautions should always be followed to reduce the risk of fire, electric shock, and injury to persons, including the following:

1. Read these instructions.
2. Keep these instructions.
3. Heed all warnings.
4. Follow all instructions.
5. Do not use this apparatus near water.
6. The appliance shall not be exposed to dripping or splashing and that no objects filled with liquid, such as vases, shall be placed on the apparatus.



WARNING: To reduce the risk of fire or electric shock,
Do NOT expose this apparatus to rain or moisture.

1. Clean only with dry cloth.
2. Do not block any ventilation openings. Install in accordance with the manufacturer's instructions.
3. Do not install near any heat sources such as radiators, heat registers, stoves, or other apparatus (including amplifiers) that produce heat.
4. No naked flame sources, such as candles should be placed on this apparatus.
5. Do not defeat the safety purpose of the polarized or grounding-type plug. A polarized plug has two blades with one wider than the other. A grounding type plug has two blades and a third grounding prong. The wide blade or the third prong are provided for your safety. If the provided plug does not fit into your outlet, consult an electrician for replacement of the obsolete outlet.



WARNING: This appliance is of Class I construction and must be connected to a power outlet with a protective grounded connection.

1. Protect the power cord from being walked on or pinched particularly at plugs, convenience receptacles, and the point where they exit from the apparatus.
2. Only use attachments/accessories specified by the manufacturer.
3. Use only with the cart, stand, tripod, bracket, or table specified by the manufacturer, or sold with the apparatus. When a cart is used, use caution when moving the cart/ apparatus combination to avoid injury from tip-over.
4. Disconnect power at the service panel during lightning storms or when unused for long periods of time.
5. Refer all servicing to qualified service personnel. Servicing is required when the apparatus has been damaged in any way, such as power-supply cord or plug is damaged, liquid has been spilled or objects have fallen into the apparatus, the apparatus has been exposed to rain or moisture, does not operate normally, or has been dropped.
6. If the appliance is damaged, check immediately with the supplier before installation and operation.

IMPORTANT SAFETY INSTRUCTIONS

7. Do not operate any unit with a damaged cord, or if the fireplace has been dropped or damaged in any manner, contact Technical Service at



litedeerhomes@gmail.com OR



1-888-700-5228.

8. Do not modify the fireplace. Use it only as described in this manual. Any other use not recommended by the manufacturer may cause fire, electric shock or injury to persons.
9. When transporting or storing the unit and cord, keep in a dry place, free from excessive vibration and store so as to avoid damage.
10. Do not install the remote control battery backwards; charge; put in excessive heat such as fire, sunshine or the like; or mix with used or other battery types - may explode or leak causing injury.
11. When replacing the battery ensure that it is replaced with alkaline 1.5 Volt (AAA) batteries. Battery must be recycled or disposed of properly. Check with your Local Authority or Retailer for recycling advice in your area.

! NOTE: To disconnect from mains - set the mains switch to 'O'. The mains (power) switch is located at the top right hand side of the appliance above the manual controls - see 'O/I' Figure 1. Mains switch shall remain readily operable.

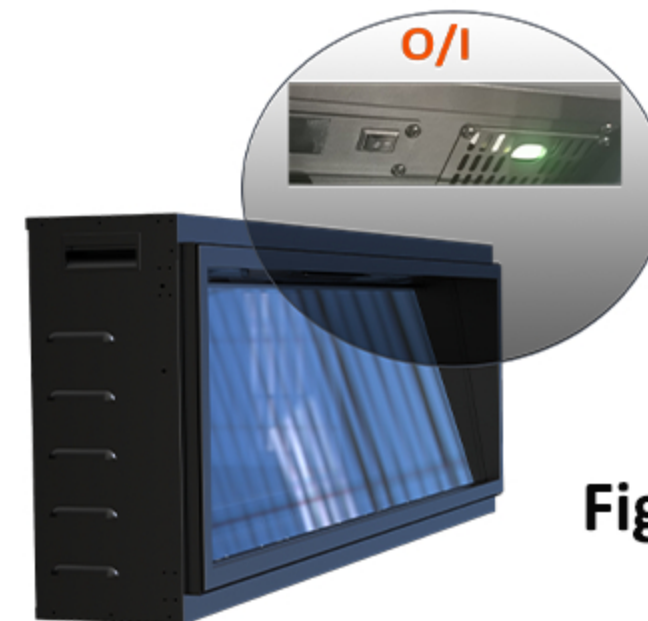


Figure 1



WARNING: Remote control contains small batteries. Keep away from children. If swallowed, seek medical attention immediately.



WARNING: To prevent injury, this apparatus must be securely attached to the floor, wall in accordance with the installation instructions.



NOTE: Changes or modifications not expressly approved by the party responsible for compliance could void user's authority to operate the equipment.



SA1965A

CAUTION
RISK OF ELECTRIC SHOCK
DO NOT OPEN
NO USER-SERVICEABLE PARTS INSIDE



ALWAYS SAVE THESE INSTRUCTIONS



Installation



WARNING: ANY INSTALLATION AND SERVICE WORK CAN ONLY BE PERFORMED BY QUALIFIED AND AUTHORIZED PERSONNEL. ALL INSTALLATIONS MUST COMPLY WITH ALL LOCAL CODES AND BY LAWS, AND INSPECTED AND APPROVED FOR OPERATION BY LOCAL GOVERNING AUTHORITY PRIOR TO USE.



WARNING: Construction and electrical outlet wiring must comply with local building codes and other applicable regulations to reduce the risk of fire, electric shock and injury to persons.

To position of the Latitude, Gloria & Marie Series use Visual-X Flame Technology, designed to achieve the best results when the ambient light level is low. If the Unit is installed in a bright area, strong reflections may weaken the flame. According to your specific application, it is very important to install the device at a height suitable for the audience to appreciate. It is recommended to use the following guidelines to locate the device.

! NOTE: Measurements are to the bottom of the viewing area of the flame.

For standing applications:

Minimum - 26" (66.0 cm) - Maximum - 51" (129.5 cm)

For sitting applications:

Minimum - 26" (66.0 cm) - Maximum - 36" (91.4 cm)

Plug-In Installation

You may run the power cord out of the framed wall opening to an existing outlet or install an outlet on a nearby wall stud within the wall. If the cord is not long enough to reach the outlet, a grounded extension cord minimum AWG No. 14 wiring and rated to a minimum of 1875 watts may be used.

Hardwire Installation

The Latitude, Gloria & Marie are supplied in an assembled state and is designed to be permanently installed. The unit comes ready for plug-in installation.



WARNING: Do not attempt to wire your own new outlets or circuits. To reduce the risk of fire, electric shock or injury to persons, always use a licensed electrician.



WARNING: Ensure that the On/Off switch is set to the Off position (refer to Operation section) and that the circuit on which the Unit is to be installed has the power cut off at the service panel until installation is complete.

! NOTE: Please read all instructions before installing.

Framing and installation

For rough in framing, the opening should follow the recommended dimensions located in Figure 1.

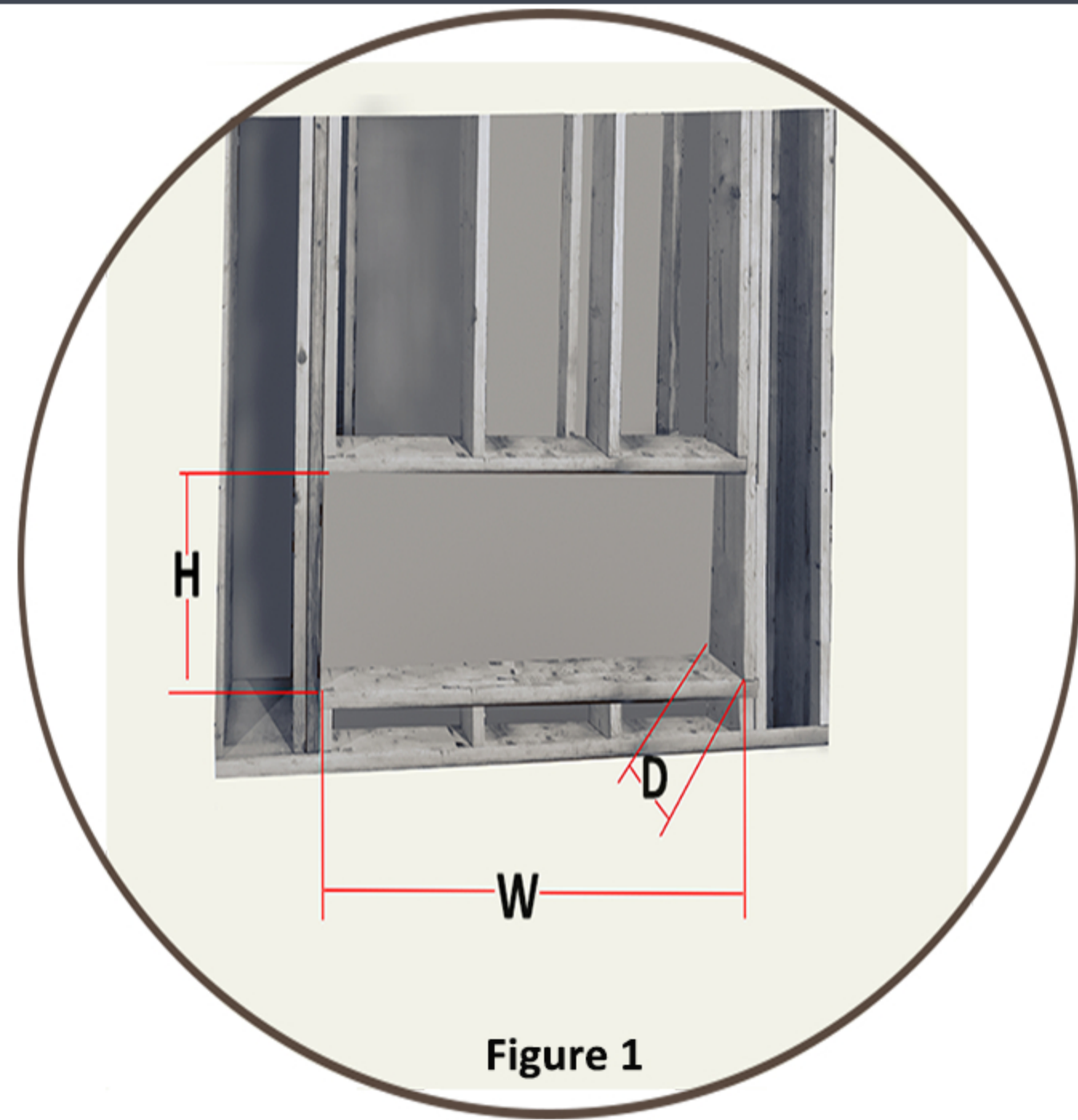
NOTE: Dimensions provided are minimum clearances and will vary depending on type of support framing and finishing options.

**NOTE: Framing should be constructed to support:
ZEF38VC-II (22KG/45Lbs)**



Installation

Framing Dimensions



! Recommend Frame size

Model	W	H	D	Unit
ZEF38VC-II	31 788	21 5/8 550	8 203	Inch mm

For more information, please visit:



www.litedeerhomes.com

Installation Steps:

1. Make sure that the main power switch is turned off, and then plug the power plug into the wall socket, place the fireplace into wall framing and use framing screws to secure the side brackets to wall (see Figure 2)

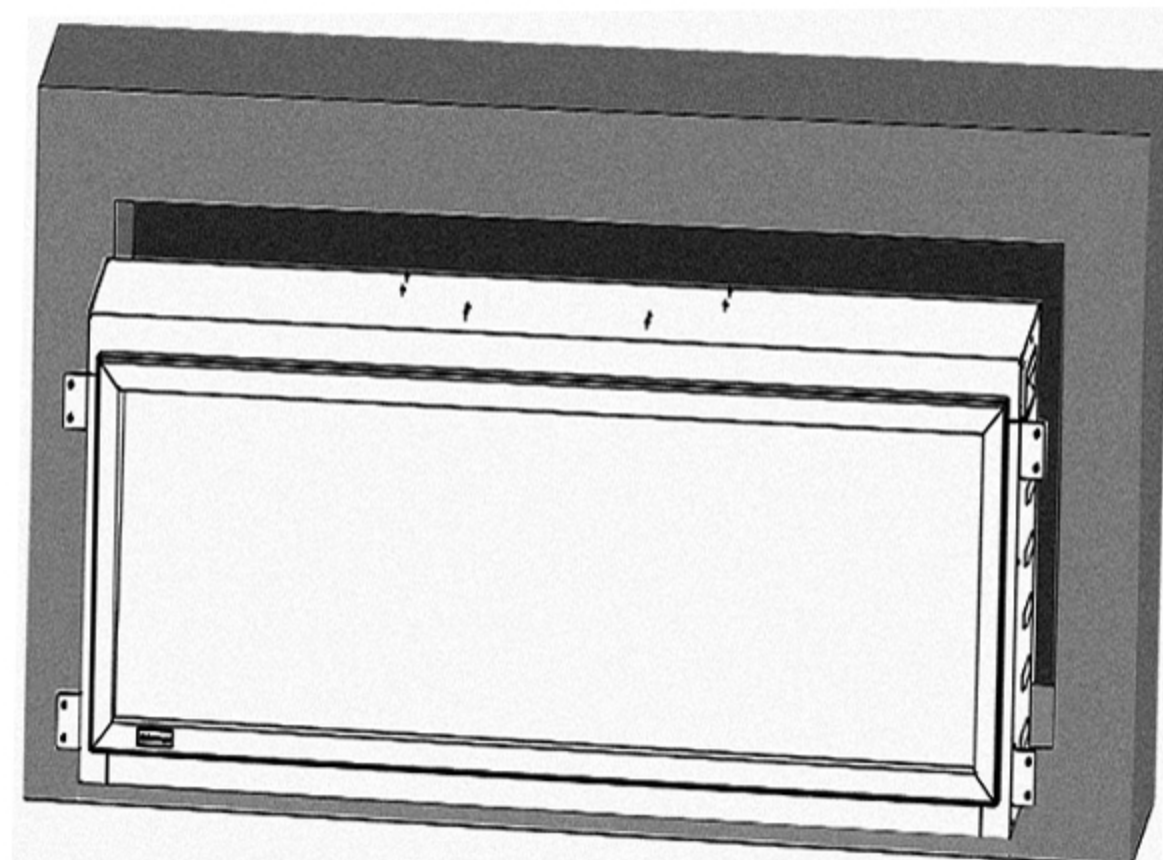


Figure 2



Installation

2. After placing the fireplace in the correct position, use the 8 screws provided with the fireplace to fix it to the wooden frame one by one to ensure that it is tightly locked.

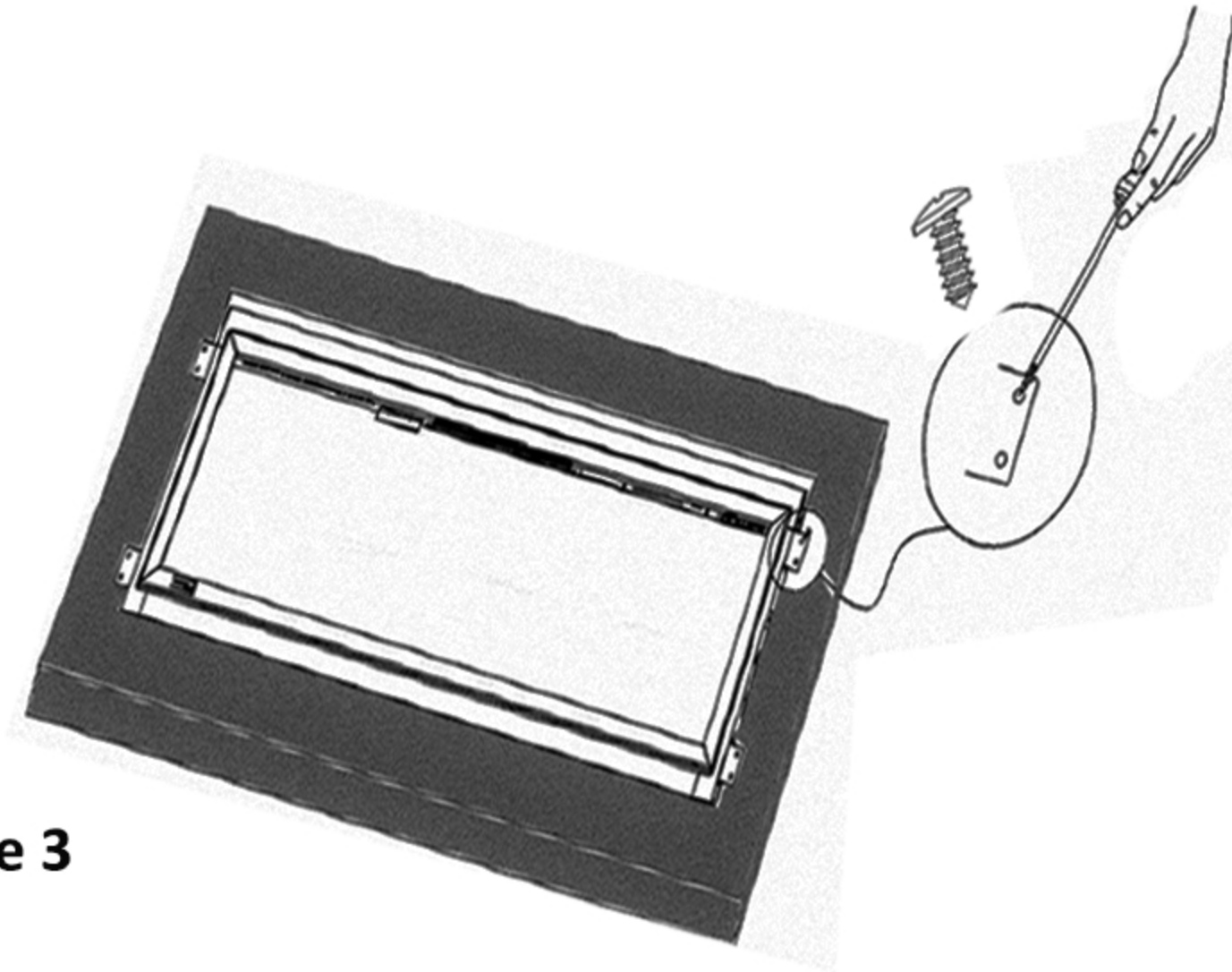


Figure 3

3. After finishing the above work, the next step is to loosen and remove the two screws that lock the outer frame, then take out the front trim piece. (see Figure 4)

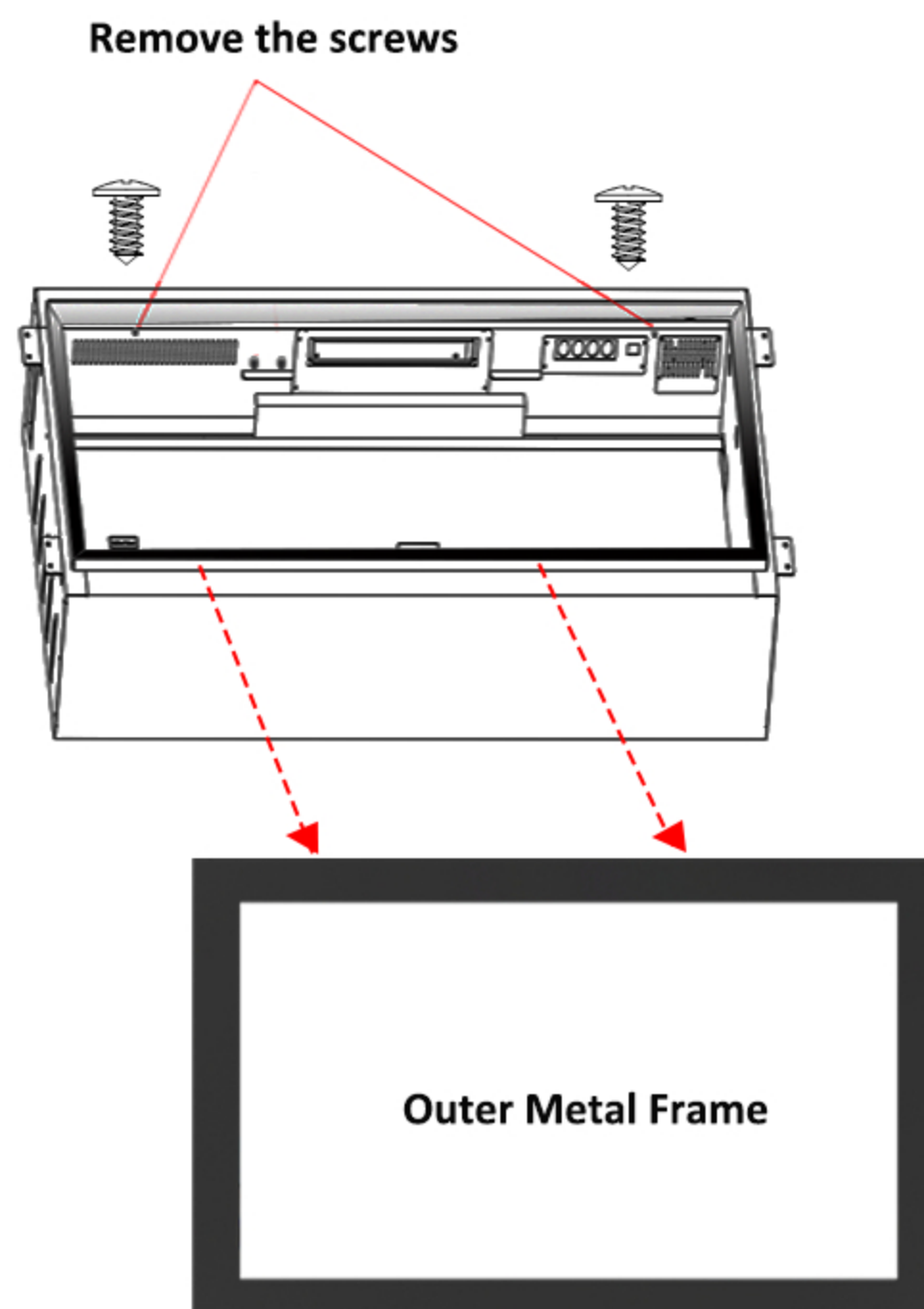


Figure 4

4. Loosen and remove hinge plate behind the top trim. Remove the two screws of the baffle bar on the inclined glass and remove the inclined glass. See figure 5.

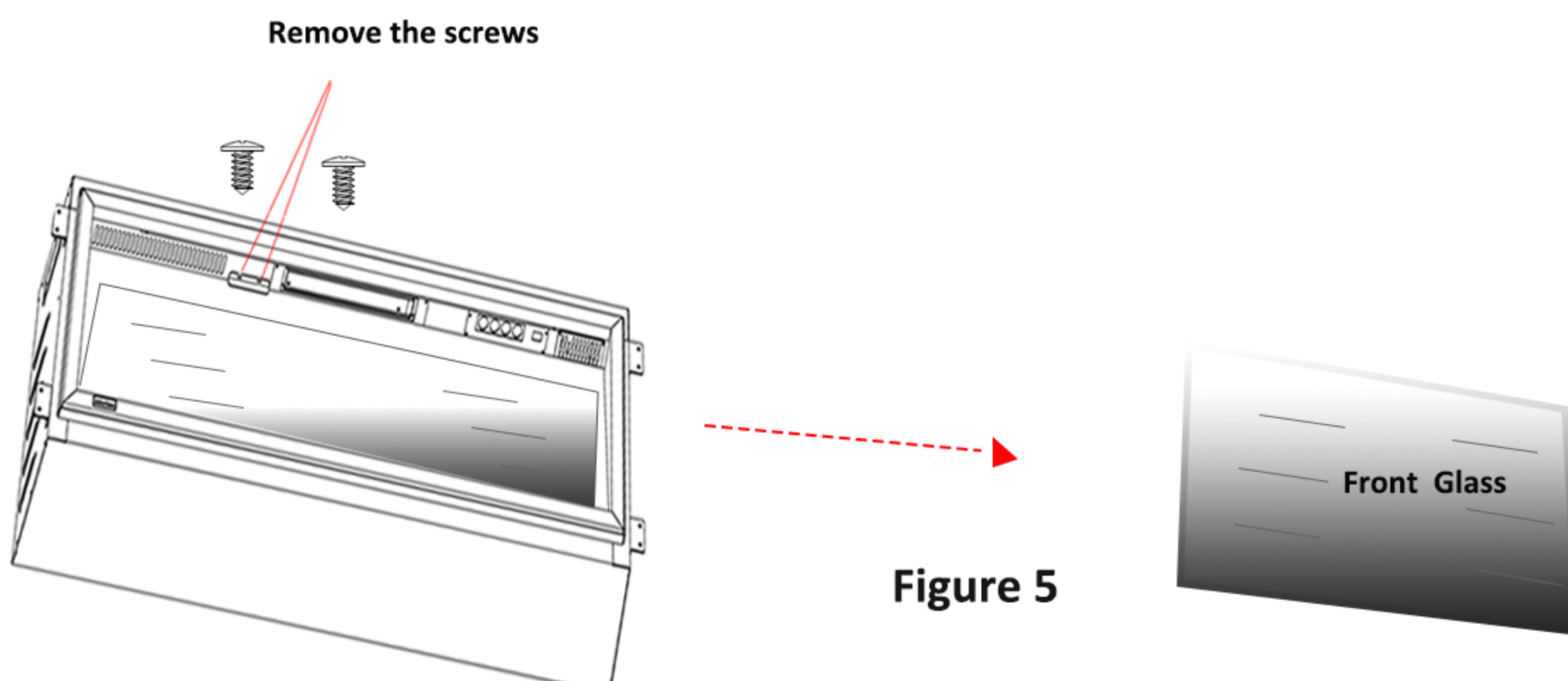


Figure 5



Installation

5. First, place natural pebbles on the bottom, and then put the driftwood log sets on the ember bed. (see Figure 6)



Figure 6



Nature pebbles



Driftwood log

6. When the ember bed decoration is complete. The first operation step is to put the glass back in place, Lock the hinge plate and fix the outer metal frame (see Figure 7). Reinstallation is just the opposite of the disassembly steps above.

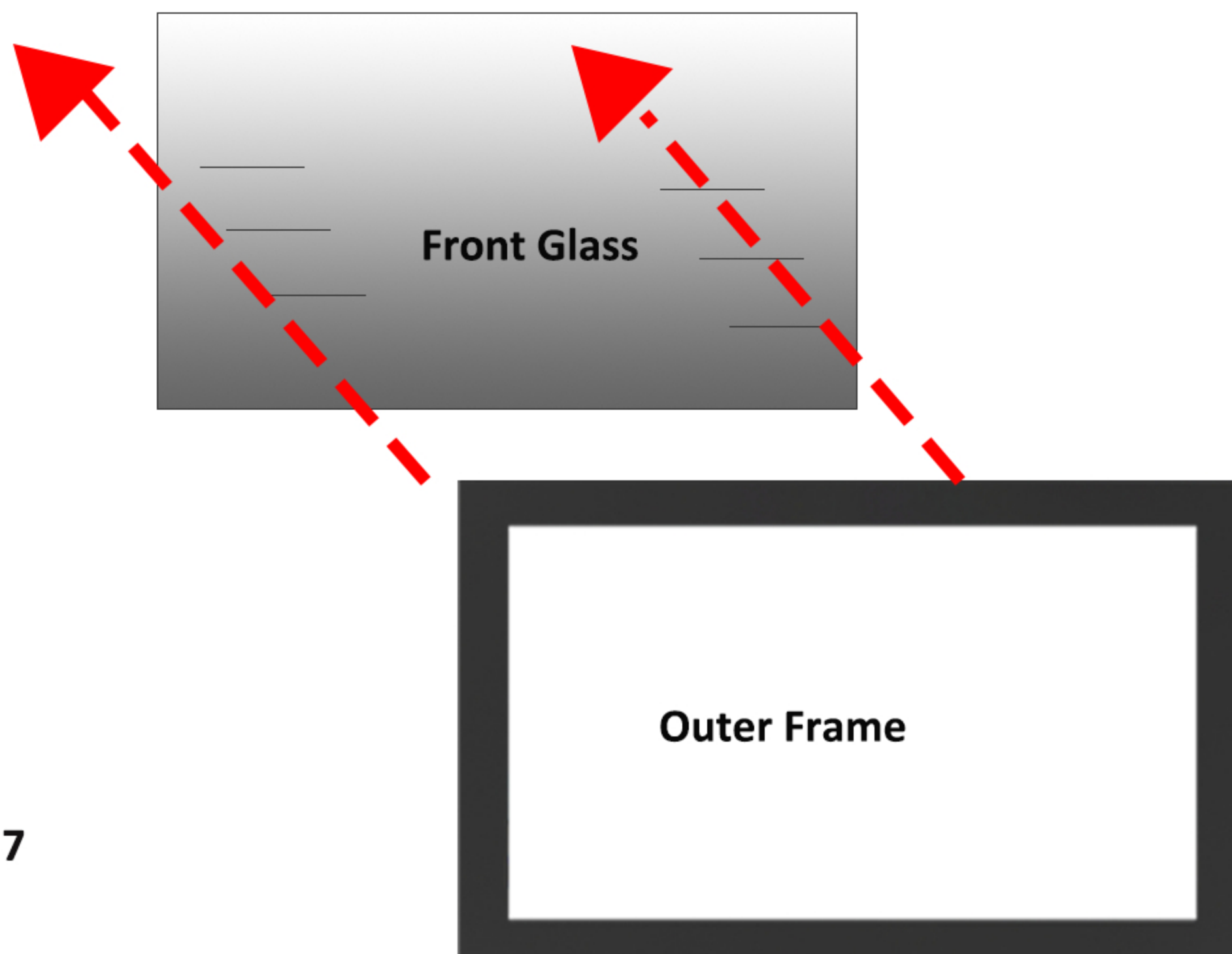
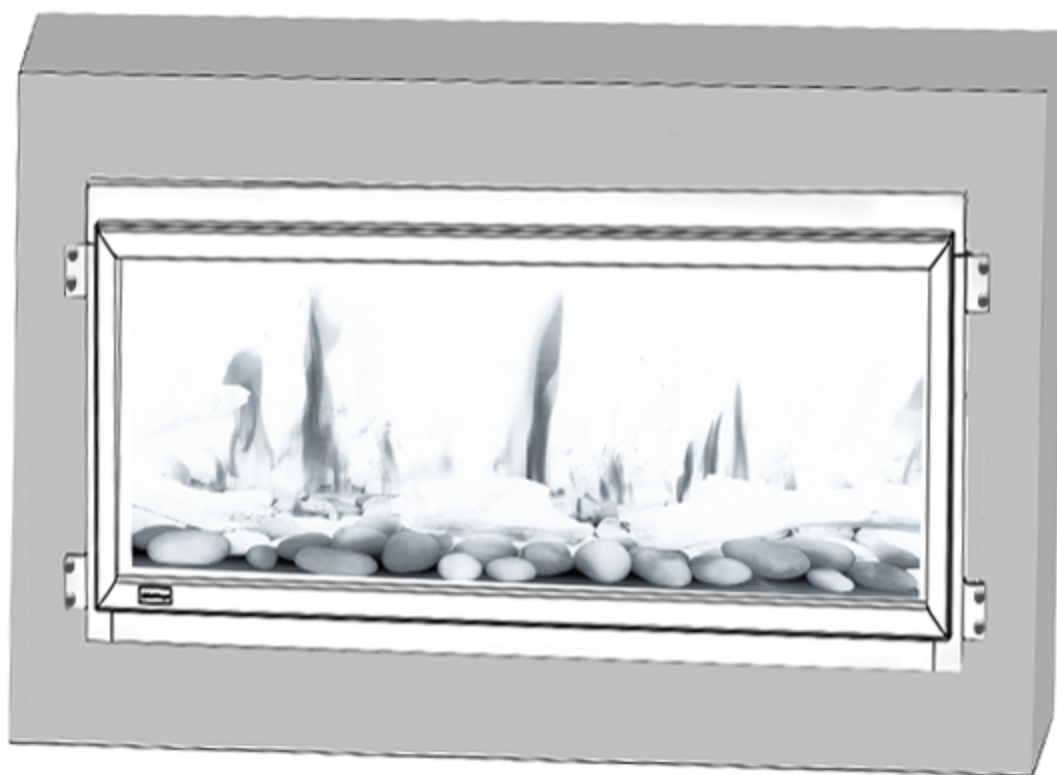


Figure 7



Grounding instructions

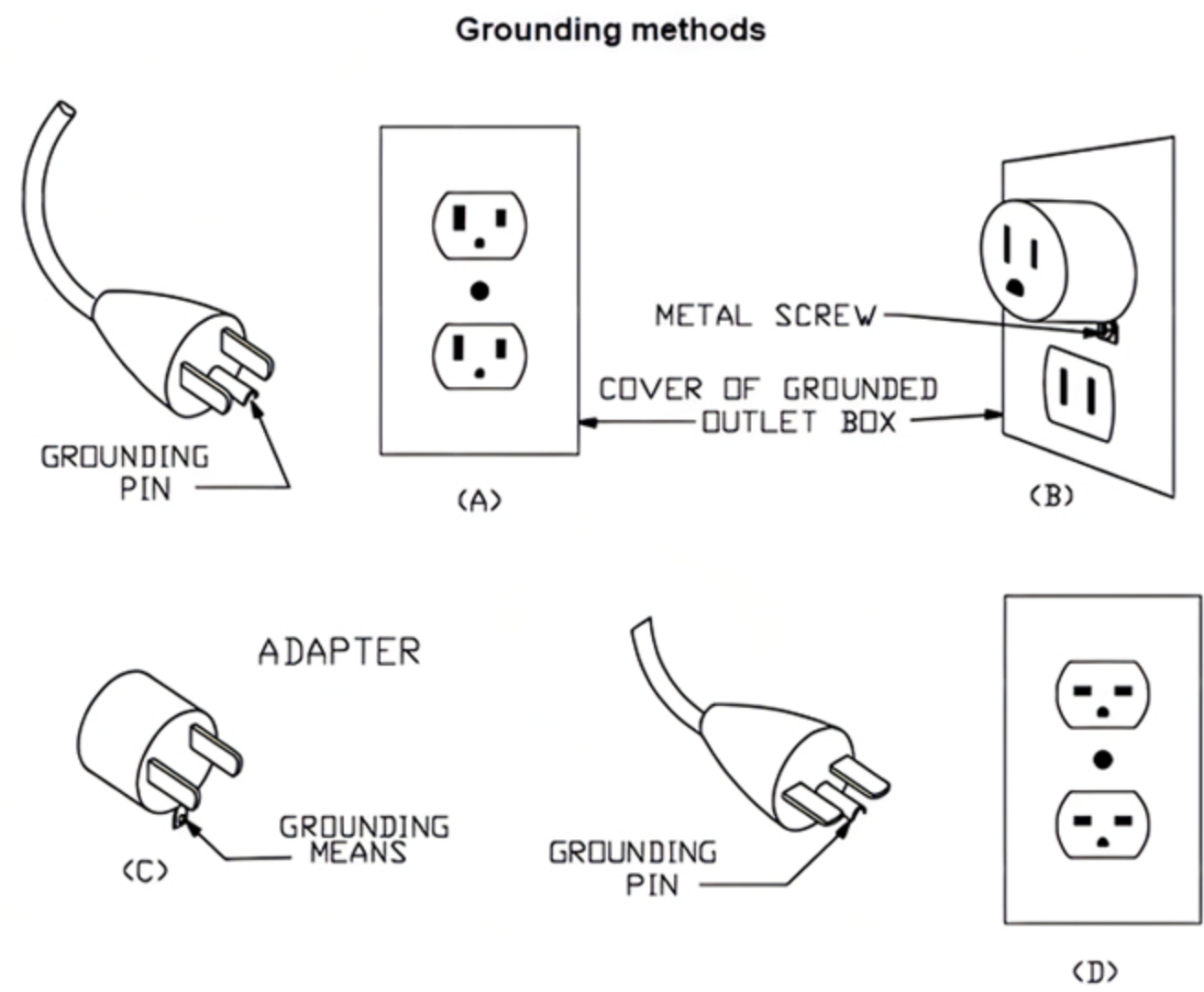


This heater is suitable for 120 volts. The power cord has a plug, as shown in A, this is a highly recommended configuration.

If you want to use an adapter, as shown in Figure C, make sure that the adapter can be used to connect the three-prong grounding type plug into a two-slot socket. green ground lug extend from the adapter must be connected to a permanent ground, such as a properly grounded outlet box.

When properly installed, it provides a ground connection through the cord to the heater to protect the operator from electric shock.

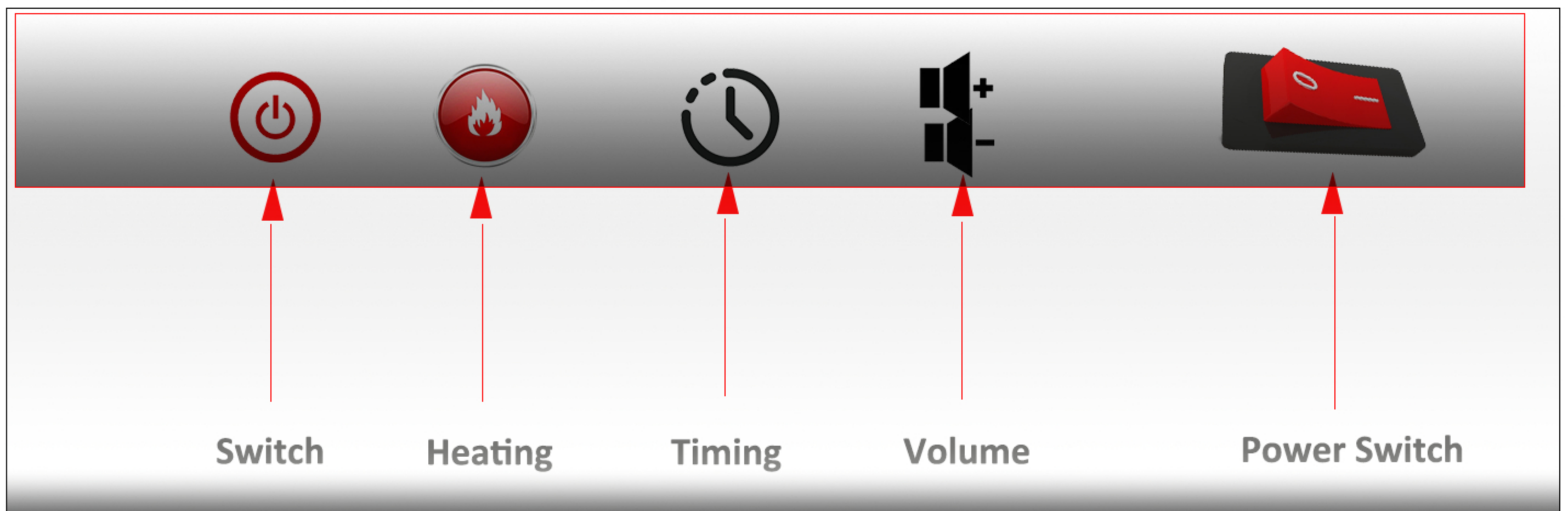
Schematic diagram



Operation

The appliance can be operated either by the switches located on the top right hand side of the fire or by supplied remote control.

TO ACCESS CONTROL PANEL



1. The POWER SWITCH must be first switch on. It takes some time for the receiver to respond to the transmitter. Do not PRESS the buttons more than once within two seconds for correct operation.
2. Press once the button ON/OFF on the remote control this turns ON/OFF the appliance and fire effect.
3. Press once the HEAT button for the LOW heat setting(750W); press twice for the HIGH heat setting (1500W); press again to TURN OFF the heater. Fan will be turn off in 10 seconds.
4. TIME setting. The timing function is superimposed for 1 hours each time until 2 hours, and for every hour above 2 hours (maximum 8 hours).
5. Volume adjustment from 0-100% in 5 levels.



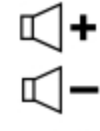
Operation

Infrared Remote control



POWER

ON: Enables control panel functions and remote control. Turn on flame effect.
OFF: Disables control panel functions and remote control. Turn off flame effect



VOLUME

Volume button: Adjust the flame sound effect



TIMING

The timing function is superimposed for 0.5 hours each time until 2 hours, and for every hour above 2 hours (maximum 8 hours).



HEATING

HEATER button: Turn heater on and off.

NOTE: To prevent overheating, the heater fan will blow out cool air for 10 seconds after the heater turn off.

1. Press once. Indicator lights up. 750W heater turns on and blows warm air.
2. Press again. Indicator lights up. 1500W heaters turns on and blows hot air.
3. Press again. Heaters turn off.

The fan blows cool air for 10 seconds to allow heater to cool down, then turns off.



DIMMER

Flame size and shape switching.



- DO NOT mix old and new batteries.
- DO NOT use rechargeable silver oxide cell batteries with remote control unit.
- DO NOT mix alkaline. Standard (Carbon-zinc). Or rechargeable (Nickle - Cadmium) batteries.
- DO NOT dispose of batteries in fire. Improper disposal may cause batteries to leak or explode.

REMOTE CONTROL



Maintenance

LED Light Bulbs Replacement

When disassembling the equipment in any case, ensure that the power is cut off. Remove the ember bed cover plate below the inclined glass and replace the lamp strip.

Note: The flame effect on this electric fireplace insert is created by LED display screen.

The life of these LED displays will be 100,000 hours.

The users are not recommended to replace the LED displays. For any reason should the bulbs stop working properly, contact a qualified technician.

Cleaning:

Turn heater OFF and unplug from electrical outlet before any cleaning or maintenance is performed. Wait at least 10 minutes to allow all components to cool properly.

Use a vacuum or duster to keep heater and vent area clean from dust and dirt.

The exterior of the fireplace should be cleaned with a damp cloth or duster.

Do not use abrasive cleaners or liquid sprays.



WARNING: Disconnect power before attempting any maintenance or cleaning to reduce the risk of fire, electric shock or damage to persons.



Warranty

Two Year Limited Warranty

Products to which this limited warranty applies

This limited warranty applies to the following models of your newly purchased LiteDeer Homes Latitude /Glorie /Marie Series fireplace.

What this limited warranty covers and for how long

Products, other than surrounds (mantels) and trims, covered by this limited warranty have been tested and inspected prior to shipment and, subject to the provisions of this warranty, Litedeer Homes warrants such products to be free from defects in material and workmanship for a period of 2 years from the date of purchase of such products.

What this limited warranty does not cover

This limited warranty does not apply to products that have been repaired (except by Litedeer Homes or its authorized service representatives) or otherwise altered. This limited warranty does further not apply to defects resulting from misuse, abuse, accident, neglect, incorrect installation, improper maintenance or handling, or operation with an incorrect power source.

What you must do to get service under this limited warranty

Defects must be brought to the attention of Litedeer Homes Technical Service by contacting



1-888-700-5228

or



litedeerhomes@gmail.com

Please have proof of purchase, catalogue/model and serial numbers available when calling. Limited warranty service requires a proof of purchase of the product.

What Litedeer Homes will do in the event of a defect

In the event a product or part covered by this limited warranty is proven to be defective in material or workmanship during (i) the 2 year limited warranty period for products other than surrounds (mantels) and trims, and (ii) the 1 year limited warranty period for surrounds (mantels) and trims, you have the following rights:

- (I) Litedeer Homes will in its sole discretion either repair or replace such defective product or part without charge. If Litedeer Homes is unable to repair or replace such product or part, or if repair or replacement is not commercially practicable or cannot be timely made, Litedeer Homes may, in lieu of repair or replacement, choose to refund the purchase price for such product or part.
- (II) Limited warranty service will be performed solely by dealers or service agents of Litedeer Homes authorized to provide limited warranty services.



Technical Supports

Technical and troubleshooting support, as well as a list of replacement parts can be found on www.litedeerhomes.com/replacement_parts



1-888-700-5228



litedeerhomes@gmail.com



TroubleShooting

Symptom	Inspection items	Solution
The power indicator is off	Power on or not; Whether the power plug is disconnected or short-circuited.	Turn on the power; Connect the plug or replace the plug.
There's a flame, but no heating.	Overheat protection start; Whether there are obstacles blocking the air inlet.	Wait for the heater to cool down before restarting; Clear the air intake barrier.

1-888-700-5228 | www.litedeerhomes.com

In keeping with our policy of continuous product improvement, we reserve the right to make changes without notice.

© 2021 LiteDeer Homes



**LiteDeer
Homes**