



**LiteDeer  
Homes**

Owner's Manual  
**Installation**



**Litestar 30 Inch Smart Electric Fireplace Insert- Model: ZEF38VC-II**



Smart Control



2 Years Warranty



Adjustable Flame



No Harmful Fumes Emitted



Energy Saving

**1-888-700-5228**

LiteDeerHomes.com

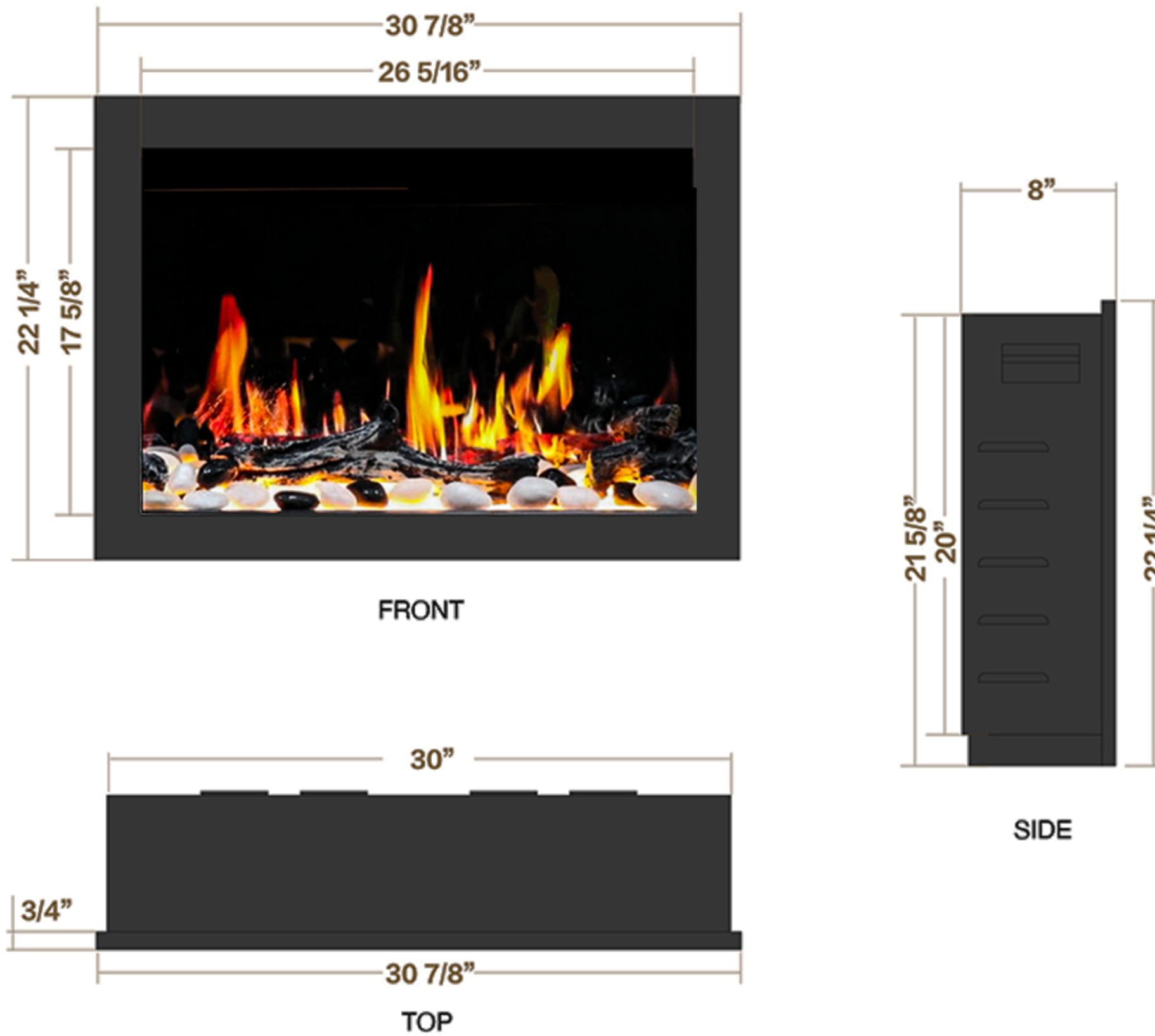
11151 Bridgeport #1718, Richmond, BC V6X 1T3



Check with your local building code before installation.



## Specifications

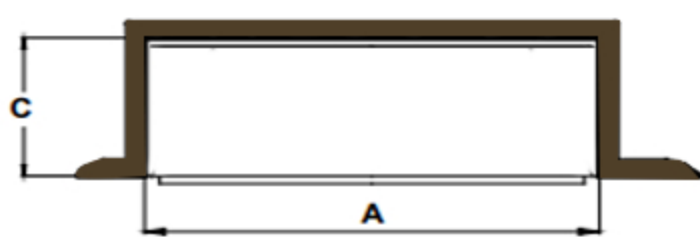


### ELECTRICAL CONNECTION REQUIREMENTS

Circuit	Connection Method	BTus	Watts
15 AMP, 120V/60Hz	Plug-in /Hardwire	5,000	750/1500

FRAMING WIDTH A	FRAMING HEIGHT B	FRAMING DEPTH C	FRAMING WIDTH D	FRAMING DEPTH E	FRAMING DEPTH F
30" (763 mm)	21 5/8" (550 mm)	8" (203 mm)	38" (966 mm)	26 7/8" (684 mm)	30" (763 mm)

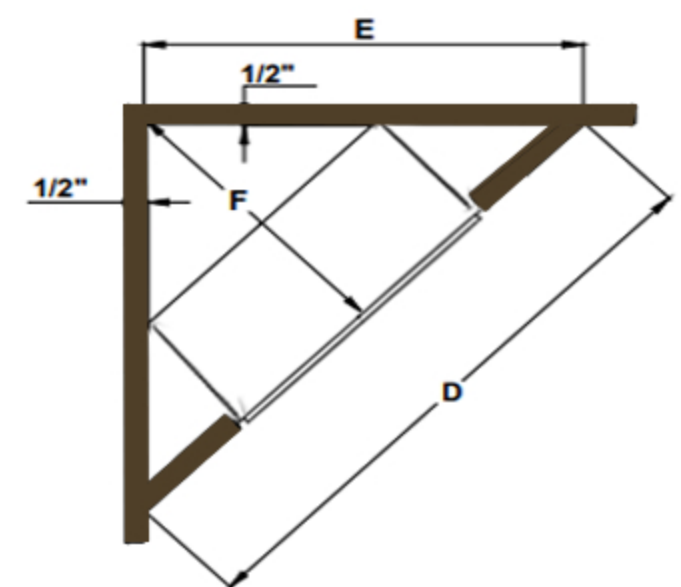
TOP VIEW



FRONT VIEW



CORNER VIEW



**IMPORTANT SAFETY INFORMATION:** Always read this manual first before attempting to install. For your safety, always comply with all warnings and safety instructions contained in this manual to prevent personal injury or property damage.

For more product information, please visit [www.litedeerhomes.com](http://www.litedeerhomes.com)



# Installation



**WARNING: ANY INSTALLATION AND SERVICE WORK CAN ONLY BE PERFORMED BY QUALIFIED AND AUTHORIZED PERSONNEL. ALL INSTALLATIONS MUST COMPLY WITH ALL LOCAL CODES AND BY LAWS, AND INSPECTED AND APPROVED FOR OPERATION BY LOCAL GOVERNING AUTHORITY PRIOR TO USE.**



**WARNING: Construction and electrical outlet wiring must comply with local building codes and other applicable regulations to reduce the risk of fire, electric shock and injury to persons.**

To position of the Latitude, Gloria & Marie Series use Visual-X Flame Technology, designed to achieve the best results when the ambient light level is low. If the Unit is installed in a bright area, strong reflections may weaken the flame. According to your specific application, it is very important to install the device at a height suitable for the audience to appreciate. It is recommended to use the following guidelines to locate the device.

**! NOTE: Measurements are to the bottom of the viewing area of the flame.**

For standing applications:

Minimum - 26" (66.0 cm) - Maximum - 51" (129.5 cm)

For sitting applications:

Minimum - 26" (66.0 cm) - Maximum - 36" (91.4 cm)

## Plug-In Installation

You may run the power cord out of the framed wall opening to an existing outlet or install an outlet on a nearby wall stud within the wall. If the cord is not long enough to reach the outlet, a grounded extension cord minimum AWG No. 14 wiring and rated to a minimum of 1875 watts may be used.

## Hardwire Installation

The Latitude, Gloria & Marie are supplied in an assembled state and is designed to be permanently installed. The unit comes ready for plug-in installation.



**WARNING: Do not attempt to wire your own new outlets or circuits. To reduce the risk of fire, electric shock or injury to persons, always use a licensed electrician.**



**WARNING: Ensure that the On/Off switch is set to the Off position (refer to Operation section) and that the circuit on which the Unit is to be installed has the power cut off at the service panel until installation is complete.**

**! NOTE: Please read all instructions before installing.**

## Framing and installation

For rough in framing, the opening should follow the recommended dimensions located in Figure 1.

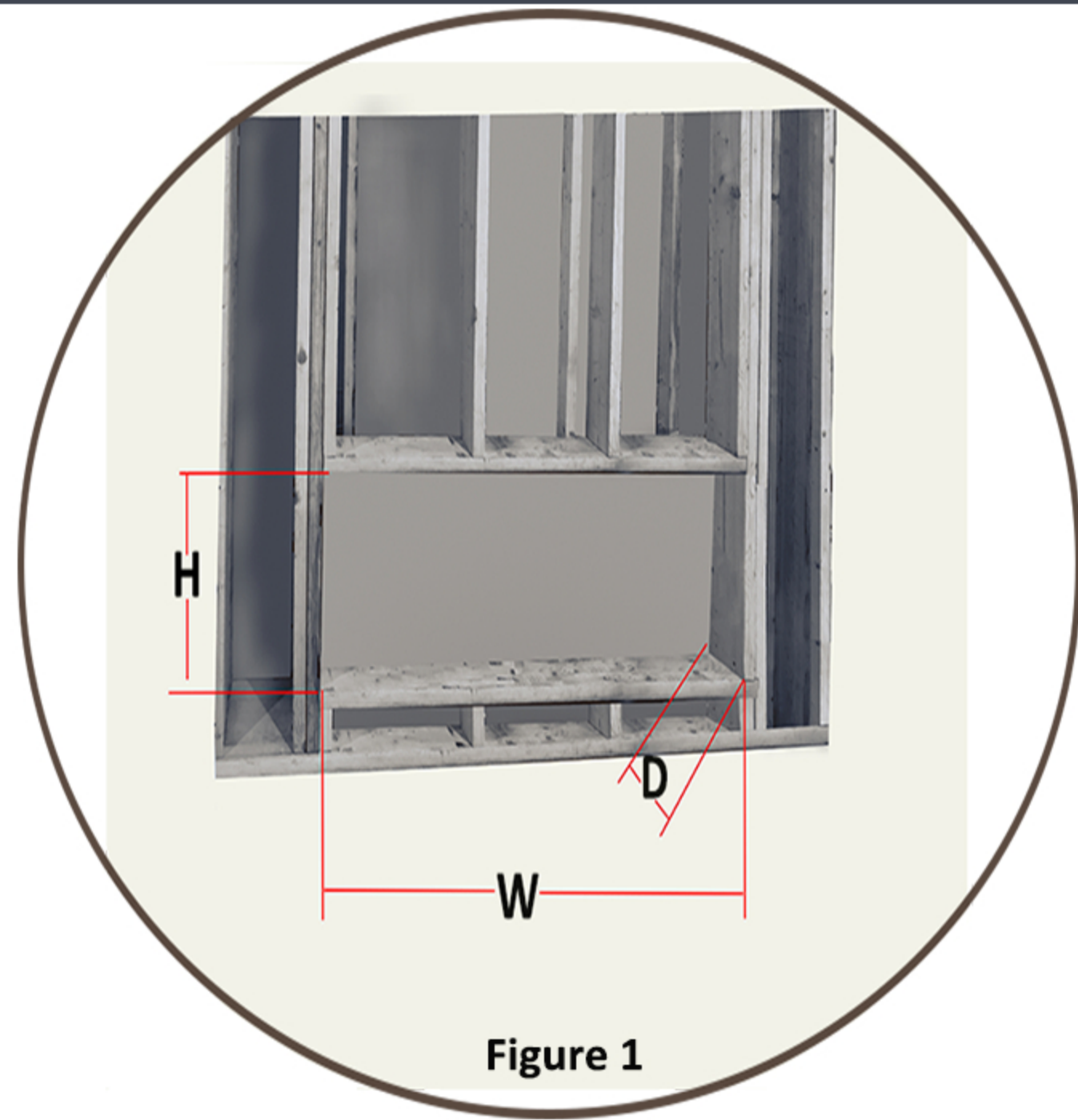
**NOTE: Dimensions provided are minimum clearances and will vary depending on type of support framing and finishing options.**

**NOTE: Framing should be constructed to support:  
ZEF38VC-II (22KG/45Lbs)**



# Installation

## Framing Dimensions



! Recommend Frame size

Model	W	H	D	Unit
ZEF38VC-II	31 788	21 5/8 550	8 203	Inch mm

For more information, please visit:



[www.litedeerhomes.com](http://www.litedeerhomes.com)

## Installation Steps:

1. Make sure that the main power switch is turned off, and then plug the power plug into the wall socket, place the fireplace into wall framing and use framing screws to secure the side brackets to wall (see Figure 2)

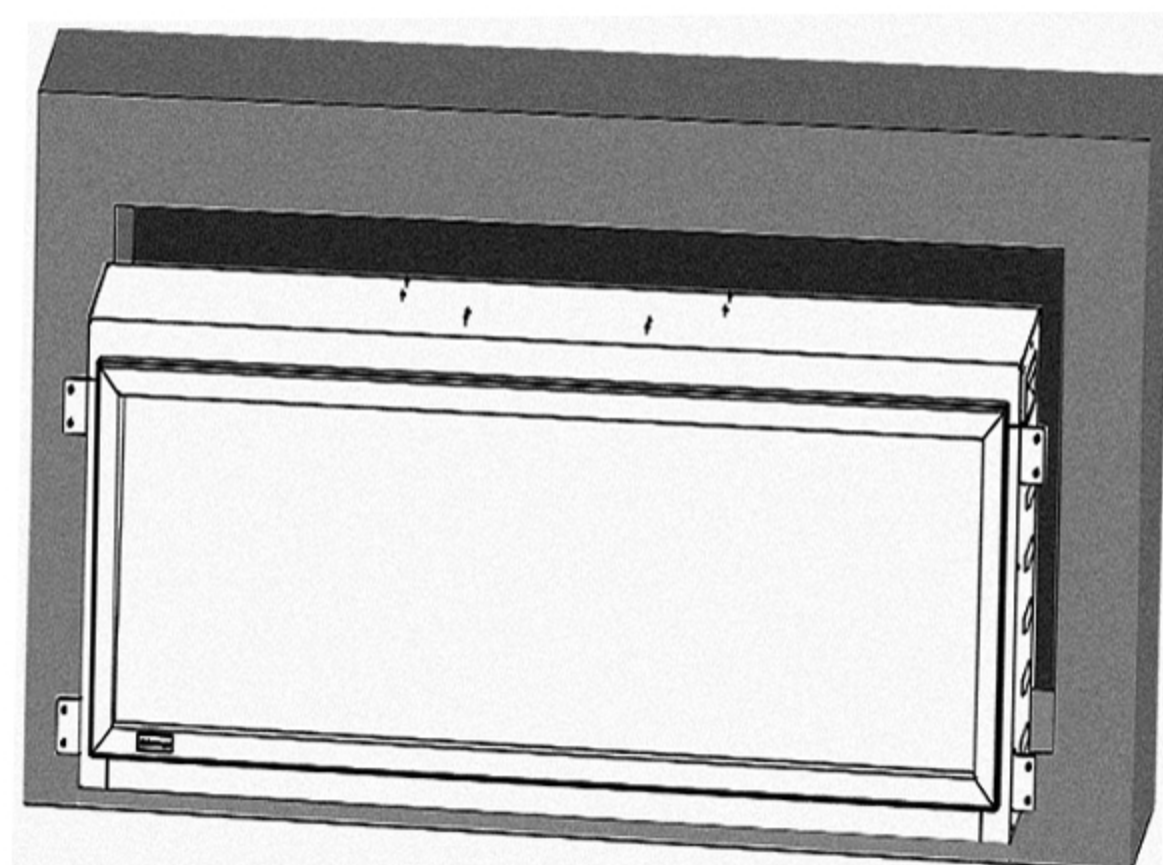


Figure 2



# Installation

2. After placing the fireplace in the correct position, use the 8 screws provided with the fireplace to fix it to the wooden frame one by one to ensure that it is tightly locked.

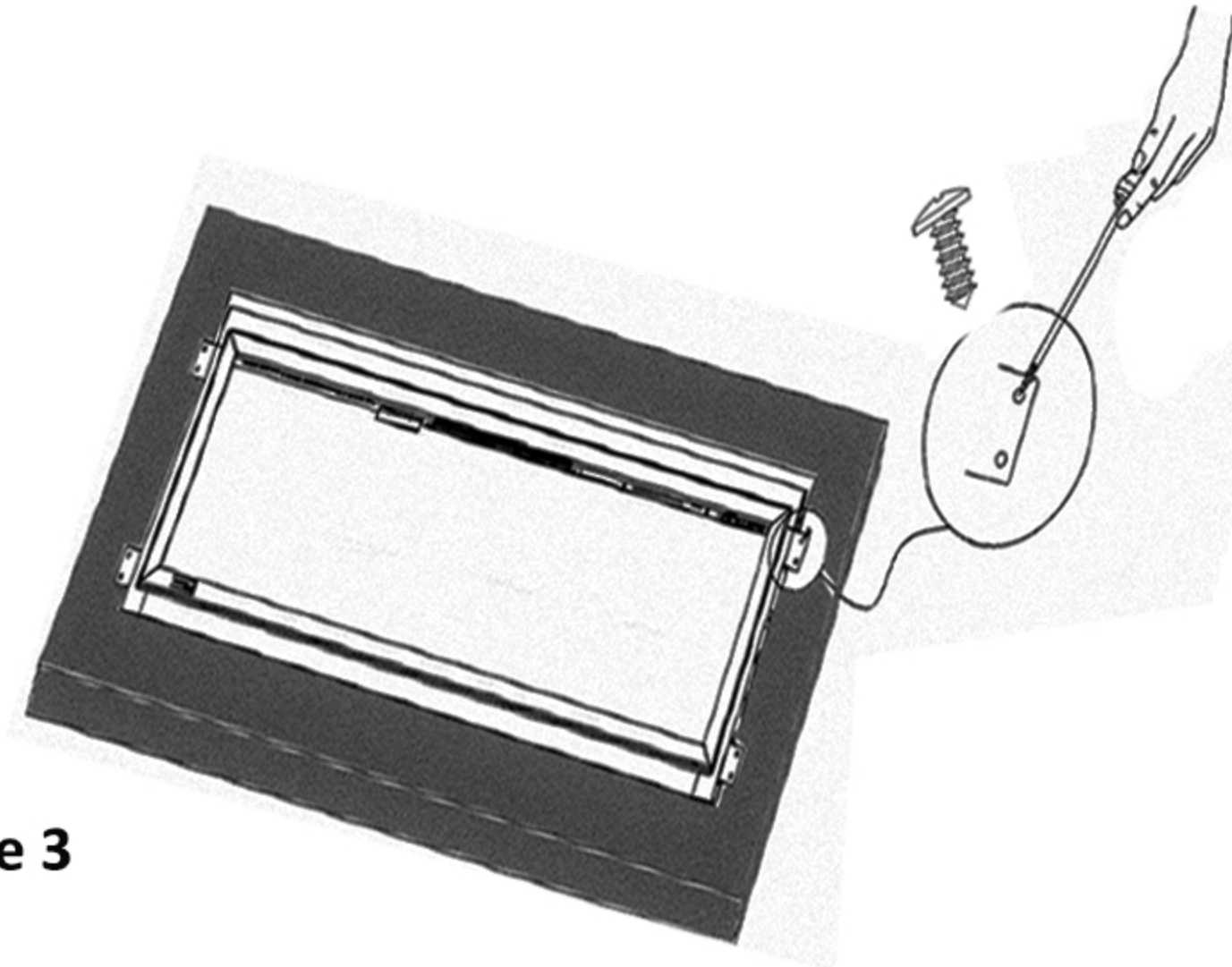


Figure 3

3. After finishing the above work, the next step is to loosen and remove the two screws that lock the outer frame, then take out the front trim piece. (see Figure 4)

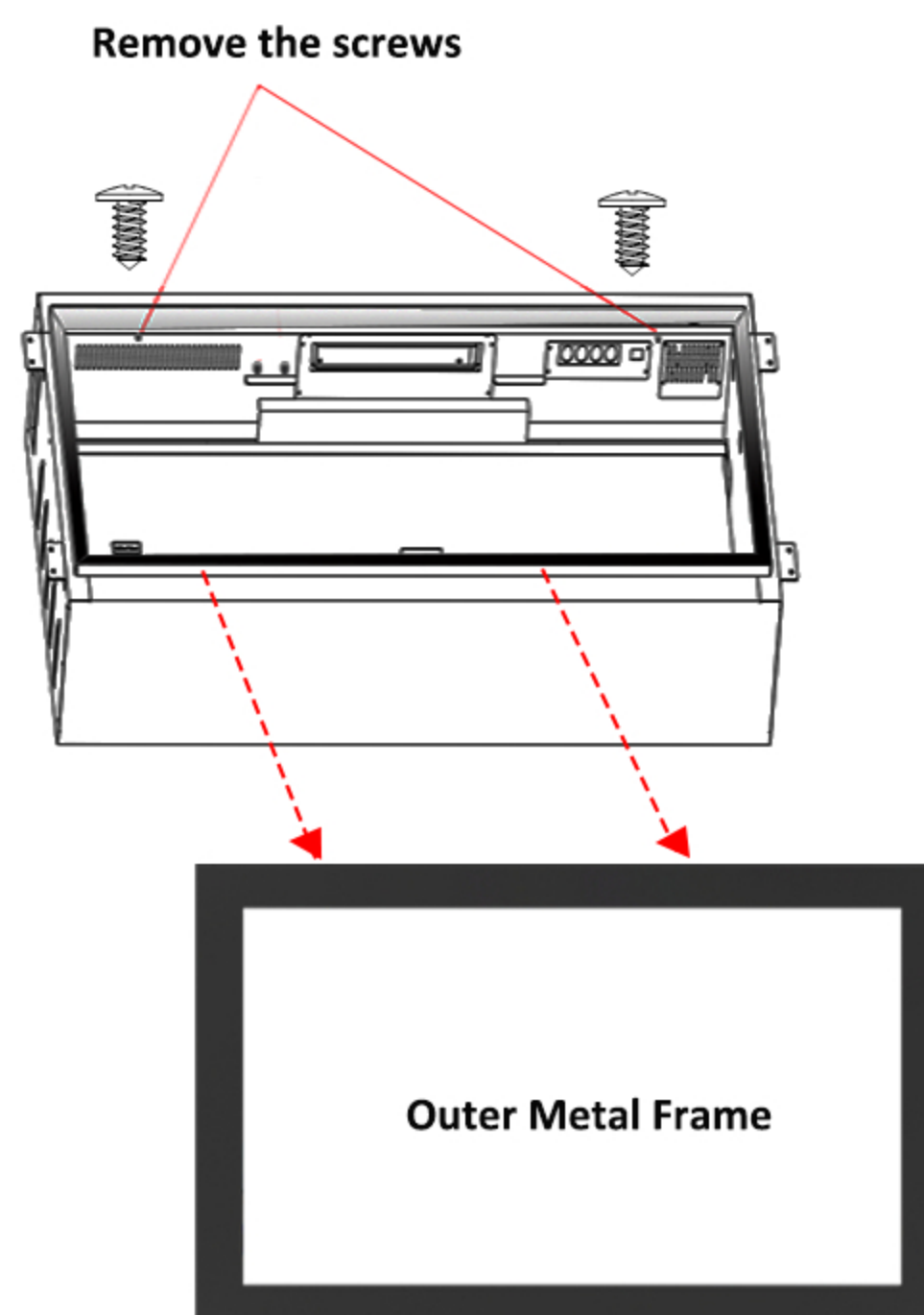


Figure 4

4. Loosen and remove hinge plate behind the top trim. Remove the two screws of the baffle bar on the inclined glass and remove the inclined glass. See figure 5.

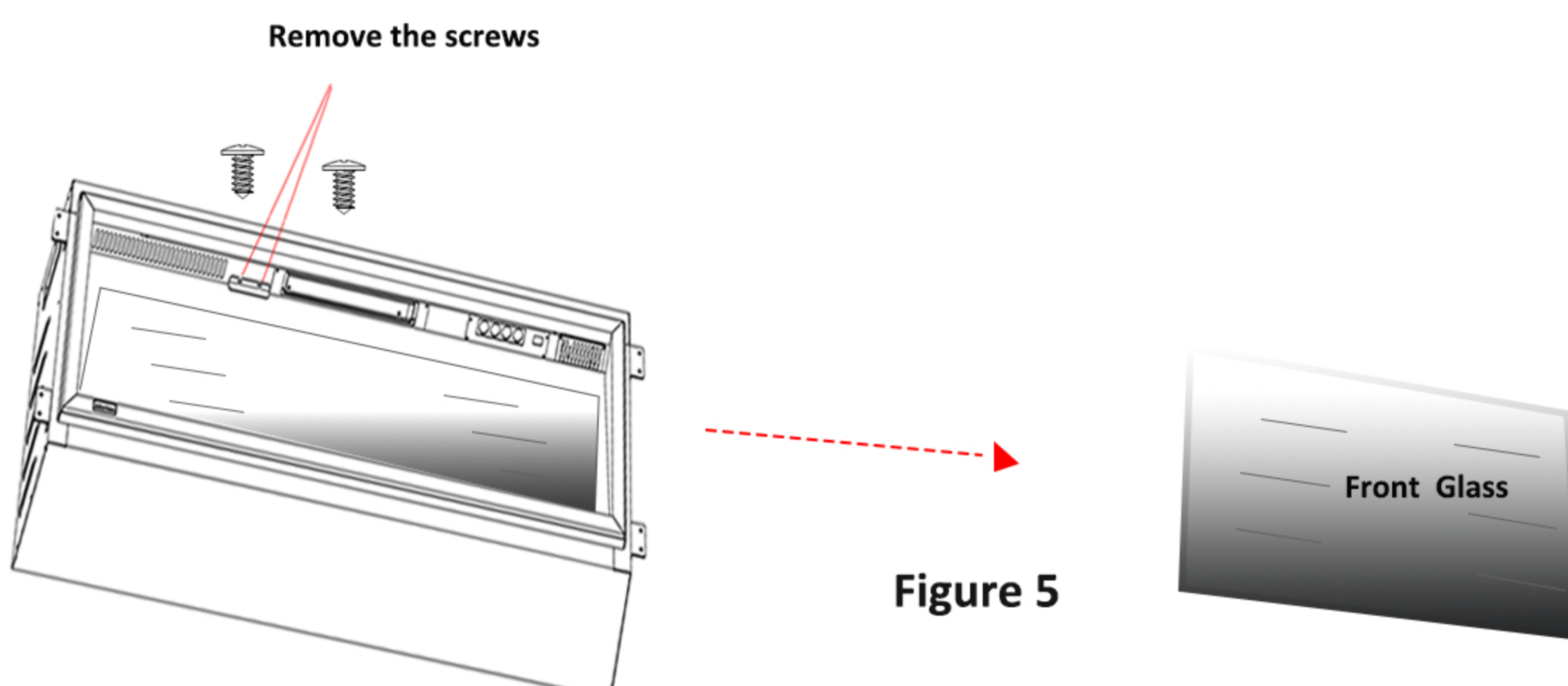


Figure 5



# Installation

5. First, place natural pebbles on the bottom, and then put the driftwood log sets on the ember bed. (see Figure 6)



Figure 6



Nature pebbles



Driftwood log

6. When the ember bed decoration is complete. The first operation step is to put the glass back in place, Lock the hinge plate and fix the outer metal frame (see Figure 7). Reinstallation is just the opposite of the disassembly steps above.

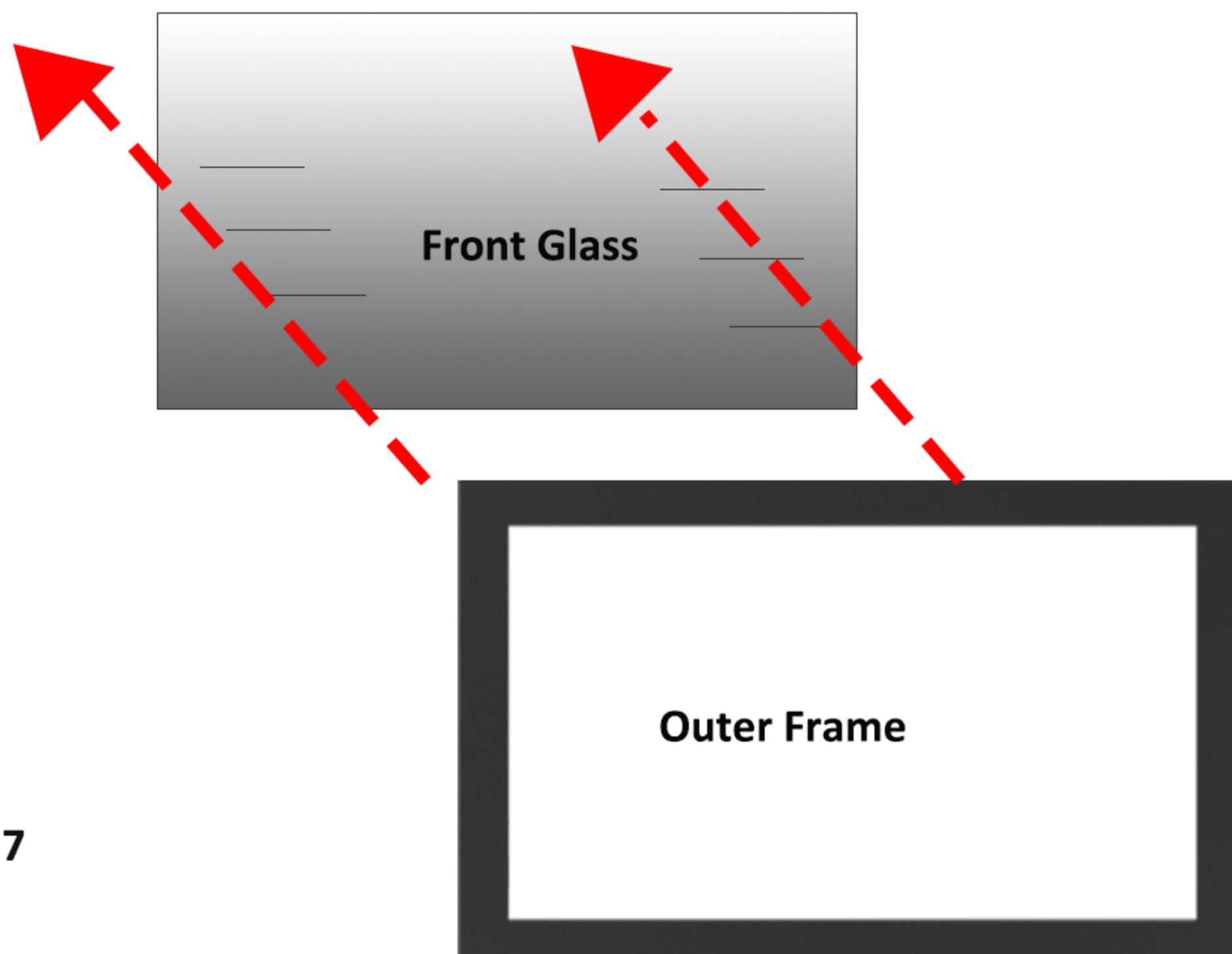
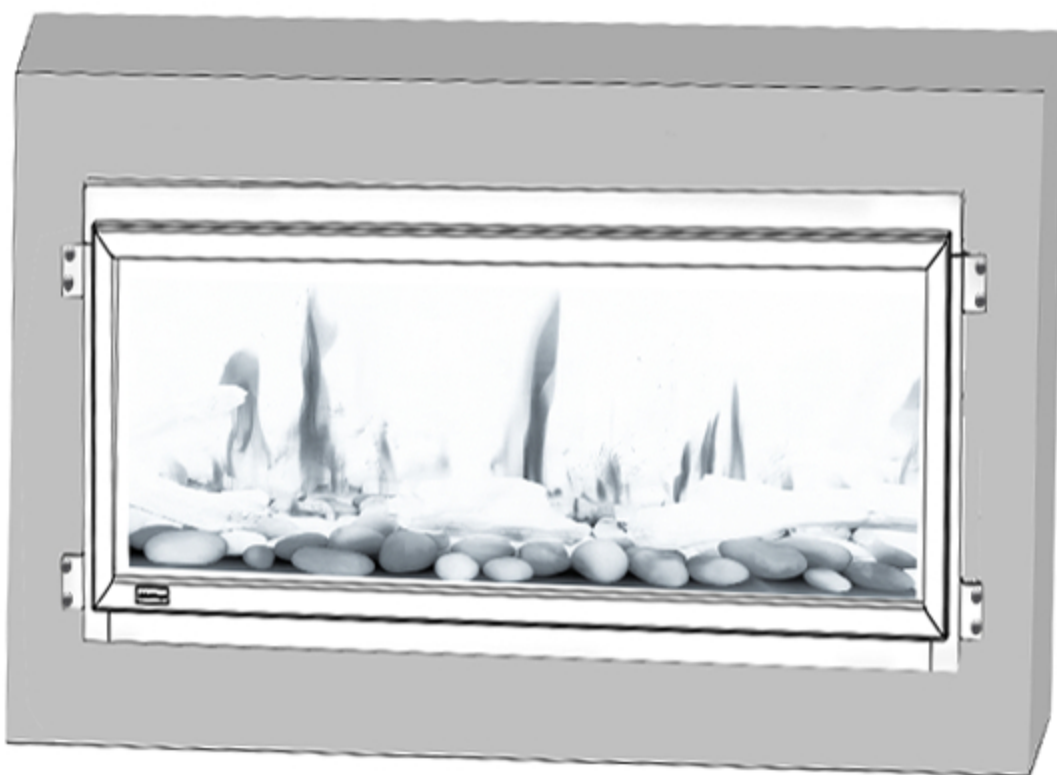


Figure 7



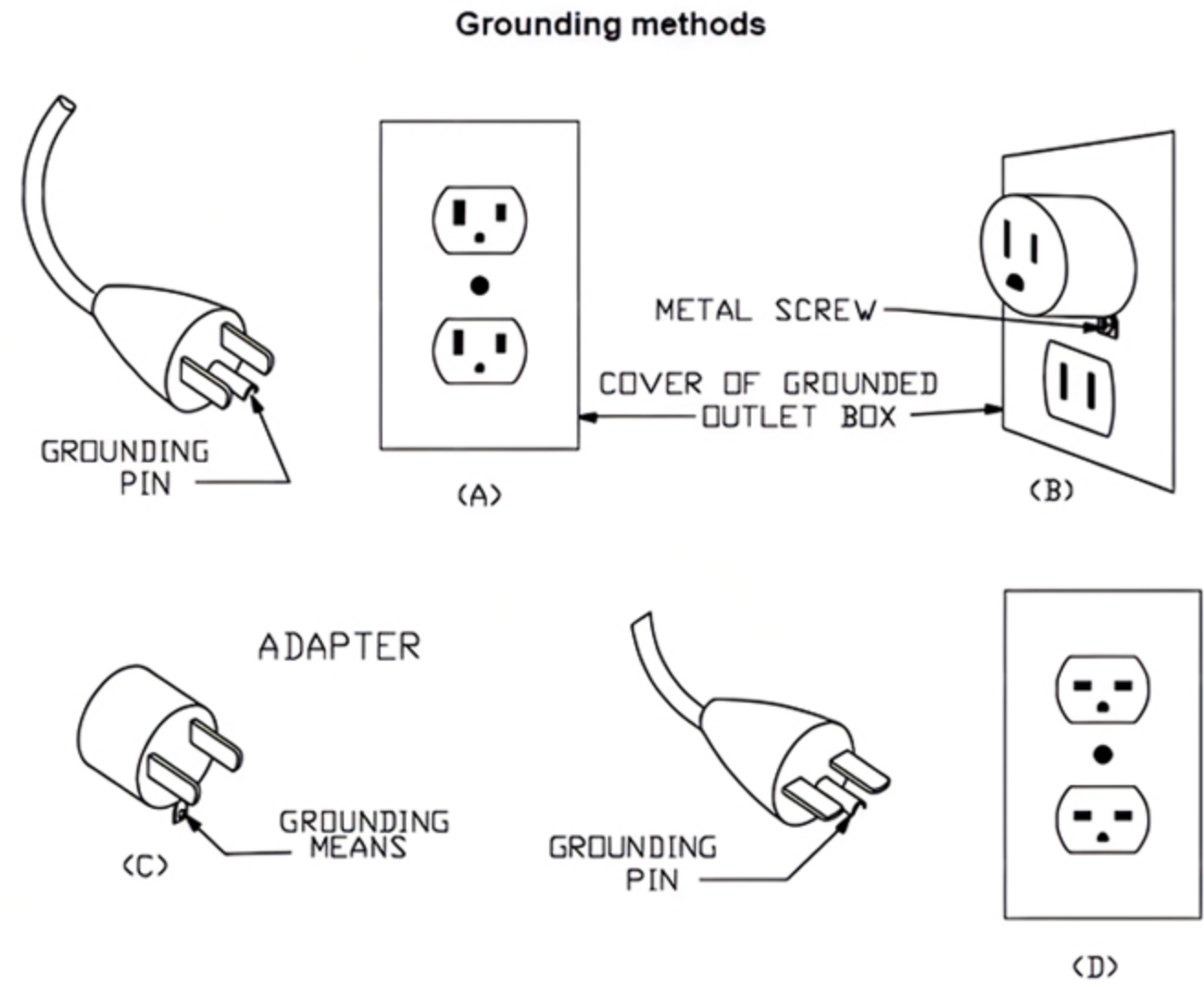
# Grounding instructions

## Schematic diagram



This heater is suitable for 120 volts. The power cord has a plug, as shown in A, this is a highly recommended configuration.

If you want to use an adapter, as shown in Figure C, make sure that the adapter can be used to connect the three-prong grounding type plug into a two-slot socket. green ground lug extend from the adapter must be connected to a permanent ground, such as a properly grounded outlet box.



When properly installed, it provides a ground connection through the cord to the heater to protect the operator from electric shock.



## Litestar Smart Electric Fireplace Insert -ZEF38VC-II

**Please consult the manufacturer's installation manual for all details and requirements before making a final design layout decision.**

litedeerhomes@gmail.com

1-888-700-5228



**Litedeer  
Homes**

In the Canada  
11151 Bridgeport #1718  
Richmond, BC  
V6X 1T3