



**Litedeer  
Homes**

## User Guider Installation and Operation



Latitude Built-in Series



**1-888-700-5228**

For more information, please visit: [LiteDeerHomes.com](http://LiteDeerHomes.com)  
11151 Bridgeport #1718, Richmond, BC V6X 1T3





# Installation



**WARNING: ANY INSTALLATION AND SERVICE WORK CAN ONLY BE PERFORMED BY QUALIFIED AND AUTHORIZED PERSONNEL. ALL INSTALLATIONS MUST COMPLY WITH ALL LOCAL CODES AND BY LAWS, AND INSPECTED AND APPROVED FOR OPERATION BY LOCAL GOVERNING AUTHORITY PRIOR TO USE.**



**WARNING: Construction and electrical outlet wiring must comply with local building codes and other applicable regulations to reduce the risk of fire, electric shock and injury to persons.**

To position of the Latitude, Gloria & Marie Series use Visual-X Flame Technology, designed to achieve the best results when the ambient light level is low. If the Unit is installed in a bright area, strong reflections may weaken the flame. According to your specific application, it is very important to install the device at a height suitable for the audience to appreciate. It is recommended to use the following guidelines to locate the device.

**! NOTE: Measurements are to the bottom of the viewing area of the flame.**

For standing applications:

Minimum - 26" (66.0 cm) - Maximum - 51" (129.5 cm)

For sitting applications:

Minimum - 26" (66.0 cm) - Maximum - 36" (91.4 cm)

## Plug-In Installation

You may run the power cord out of the framed wall opening to an existing outlet or install an outlet on a nearby wall stud within the wall. If the cord is not long enough to reach the outlet, a grounded extension cord minimum AWG No. 14 wiring and rated to a minimum of 1875 watts may be used.

## Hardwire Installation

The Latitude, Gloria & Marie are supplied in an assembled state and is designed to be permanently installed. The unit comes ready for plug-in installation.



**WARNING: Do not attempt to wire your own new outlets or circuits. To reduce the risk of fire, electric shock or injury to persons, always use a licensed electrician.**



**WARNING: Ensure that the On/Off switch is set to the Off position (refer to Operation section) and that the circuit on which the Unit is to be installed has the power cut off at the service panel until installation is complete.**

**! NOTE: Please read all instructions before installing.**

## Framing and installation

For rough in framing, the opening should follow the recommended dimensions located in Figure 1.

**NOTE: Dimensions provided are minimum clearances and will vary depending on type of support framing and finishing options.**

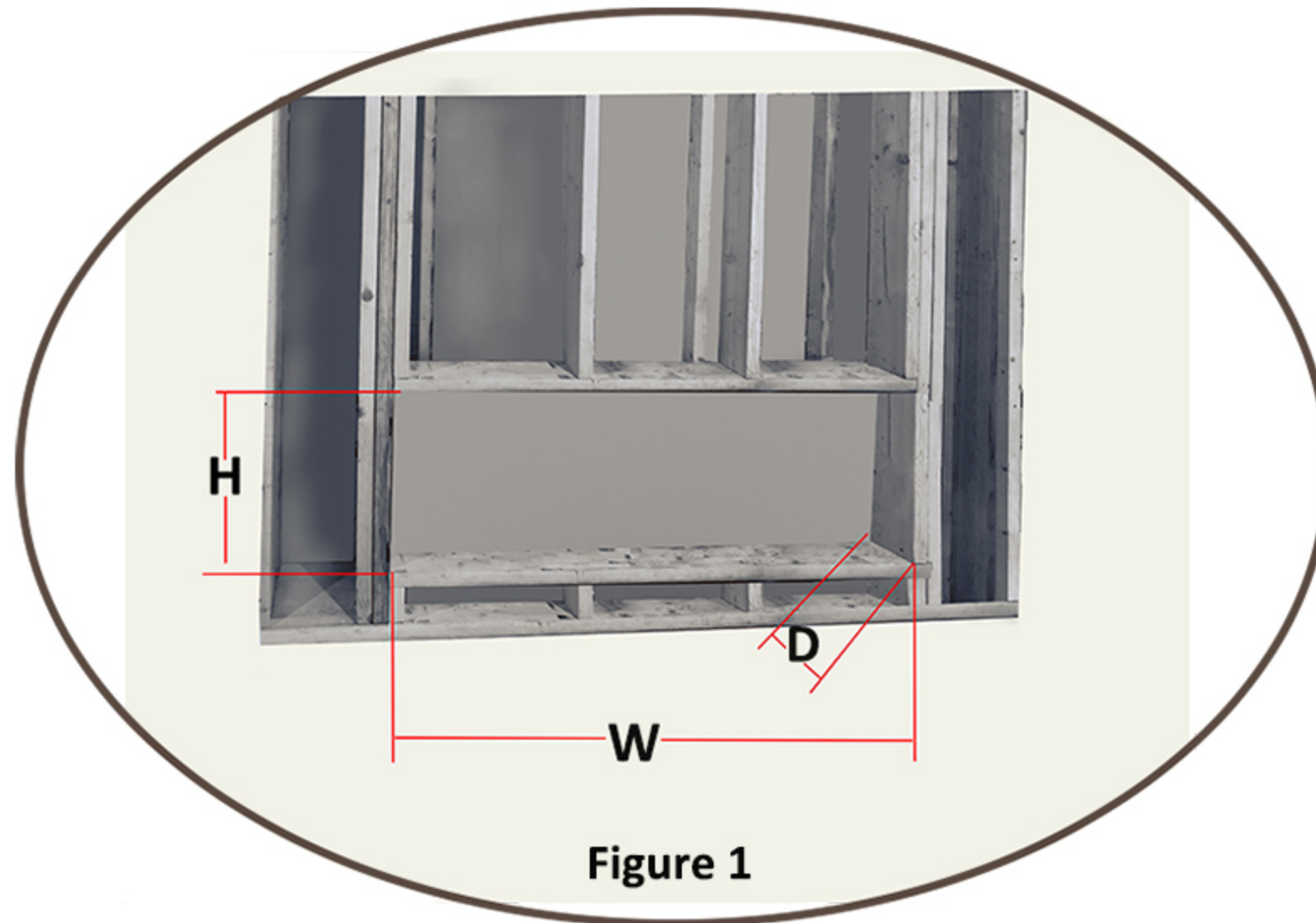
**NOTE: Framing should be constructed to support:**

ZEF45 (43KG/95Lbs) /ZEF55 (57KG/126Lbs) /ZEF65(63KG/139Lbs) /ZEF75 (71KG/157Lbs)



# Installation

## Framing Dimensions



**! Recommend Frame size**

Model	W	H	D	Unit
ZEF35V	36 <sup>3</sup> / <sub>4</sub>	19	8	Inch
	933	485	203	mm
ZEF45V	47 <sup>1</sup> / <sub>8</sub>	19	8	Inch
	1197	485	203	mm
ZEF55V	57 <sup>1</sup> / <sub>8</sub>	19	8	Inch
	1451	485	203	mm
ZEF65V	67 <sup>1</sup> / <sub>8</sub>	19	8	Inch
	1705	485	203	mm
ZEF75V	77 <sup>1</sup> / <sub>8</sub>	19	8	Inch
	1959	485	203	mm
ZEF45X	46 <sup>3</sup> / <sub>8</sub>	16 <sup>3</sup> / <sub>4</sub>	8	Inch
	1179	425	203	mm
ZEF65X	66 <sup>3</sup> / <sub>8</sub>	16 <sup>3</sup> / <sub>4</sub>	8	Inch
	1687	425	203	mm

For more information, please visit:



[www.litedeerhomes.com](http://www.litedeerhomes.com)

## Installation Steps:

1. Make sure that the main power switch is turned off, and then plug the power plug into the wall socket, place the fireplace into wall framing and use framing screws to secure the side brackets to wall (see Figure 2)

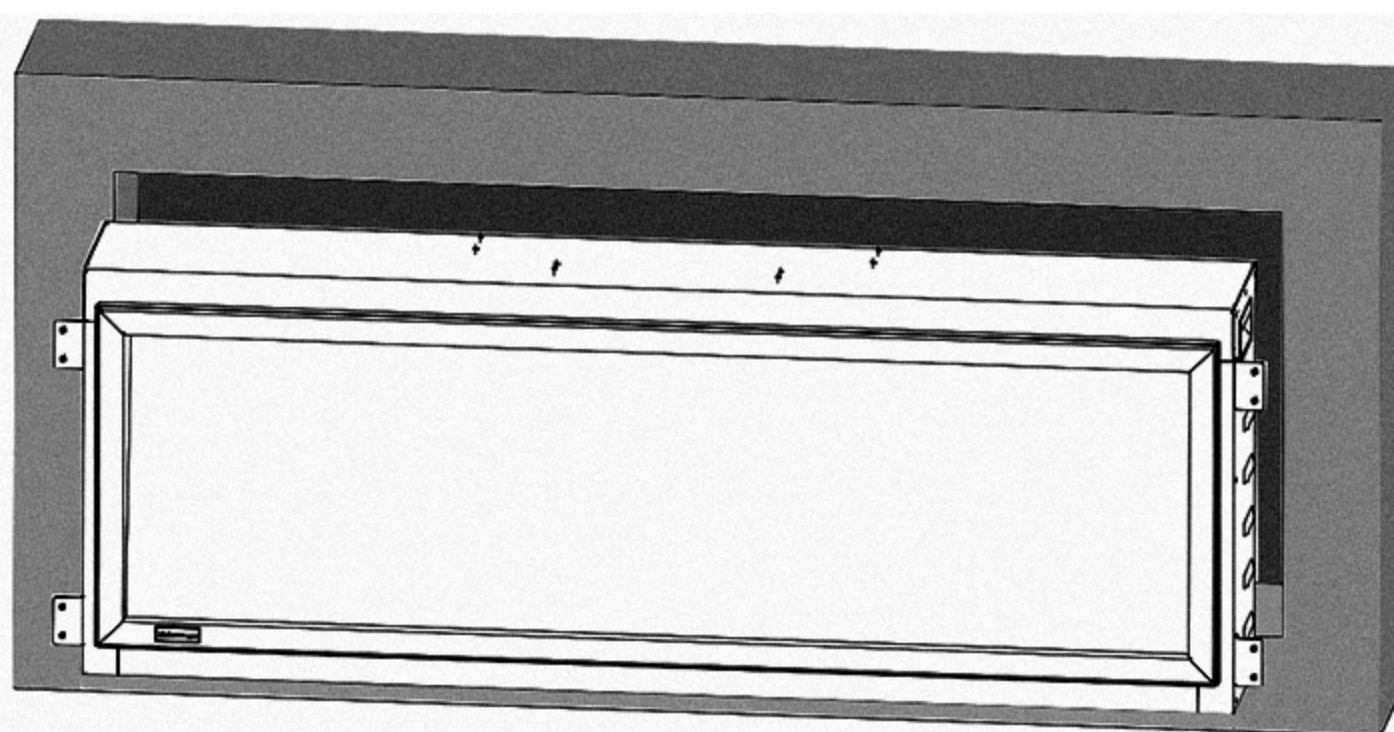


Figure 2



# Installation

2. After placing the fireplace in the correct position, use the 8 screws provided with the fireplace to fix it to the wooden frame one by one to ensure that it is tightly locked.

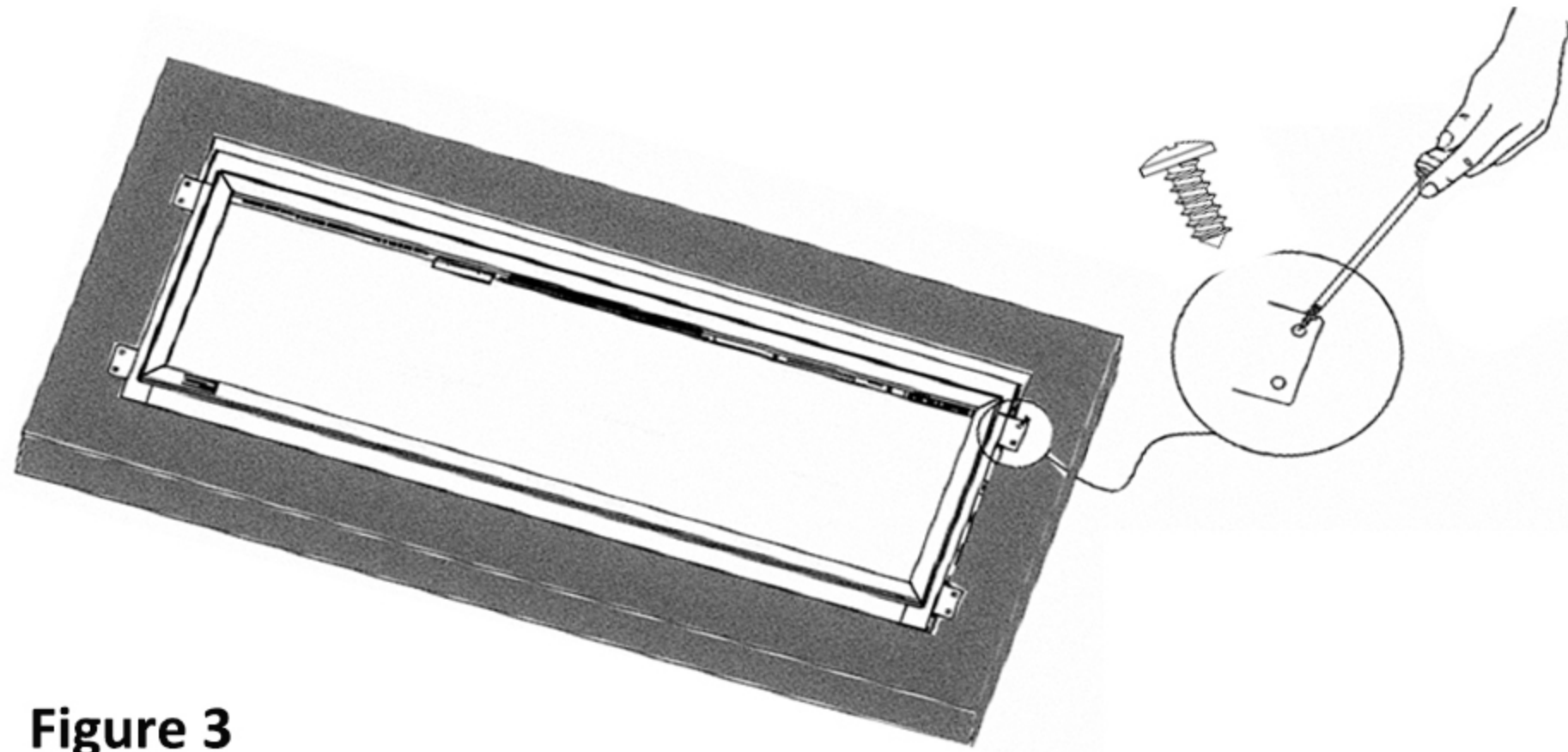


Figure 3

3. After finishing the above work, the next step is to loosen and remove the two screws that lock the outer frame, then take out the front trim piece. (see Figure 4)

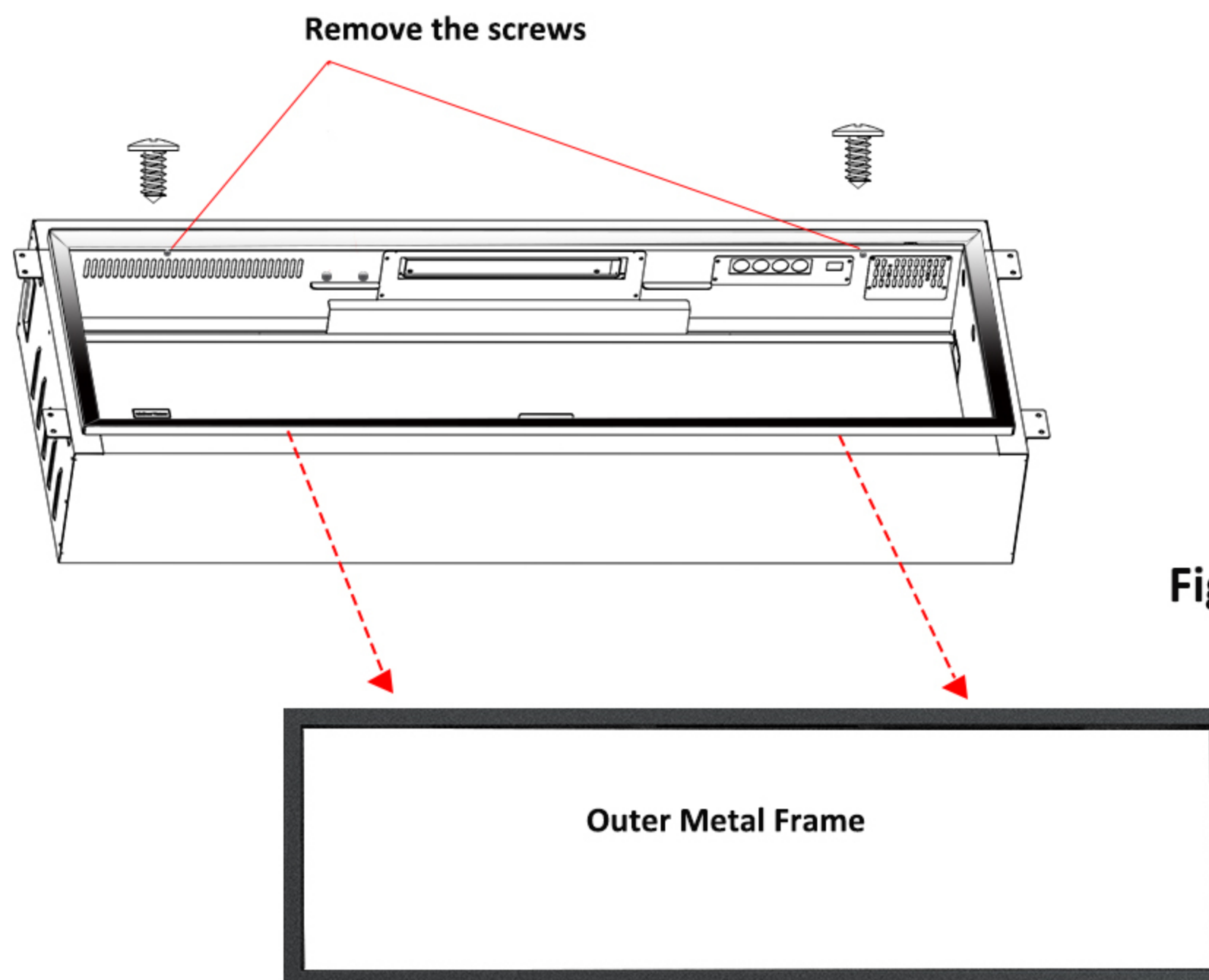


Figure 4

4. Loosen and remove hinge plate behind the top trim. Remove the two screws of the baffle bar on the inclined glass and remove the inclined glass. See figure 5.

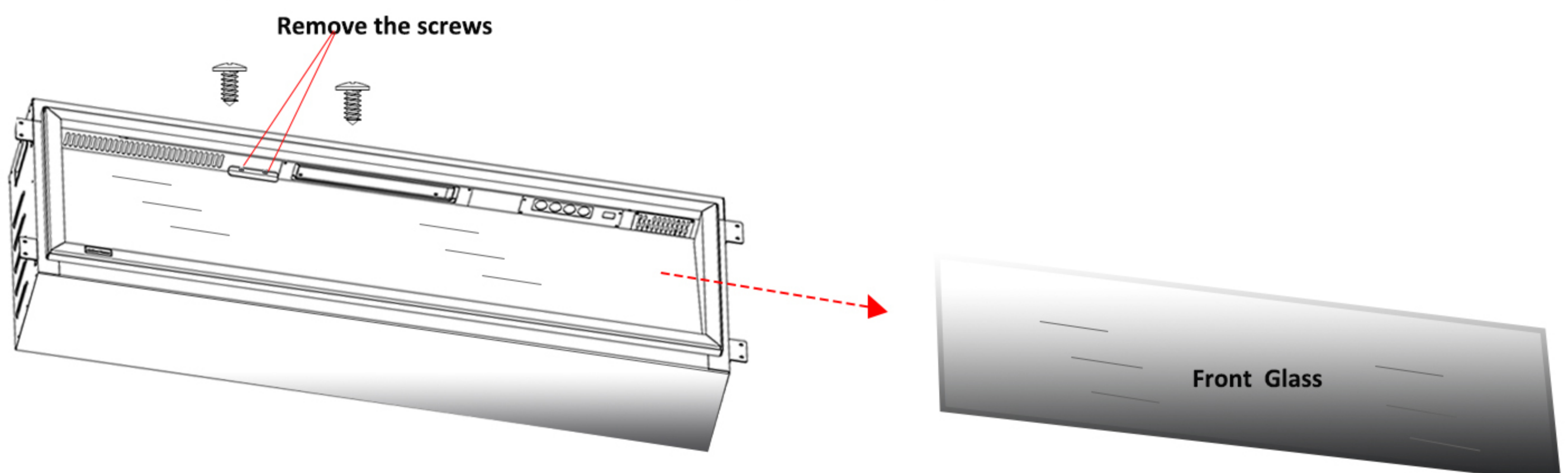


Figure 5



# Installation

5. First, place natural pebbles on the bottom, and then put the driftwood log sets on the ember bed. (see Figure 6)



Figure 6



Nature pebbles



Driftwood log

6. When the ember bed decoration is complete. The first operation step is to put the glass back in place, Lock the hinge plate and fix the outer metal frame (see Figure 7). Reinstallation is just the opposite of the disassembly steps above.

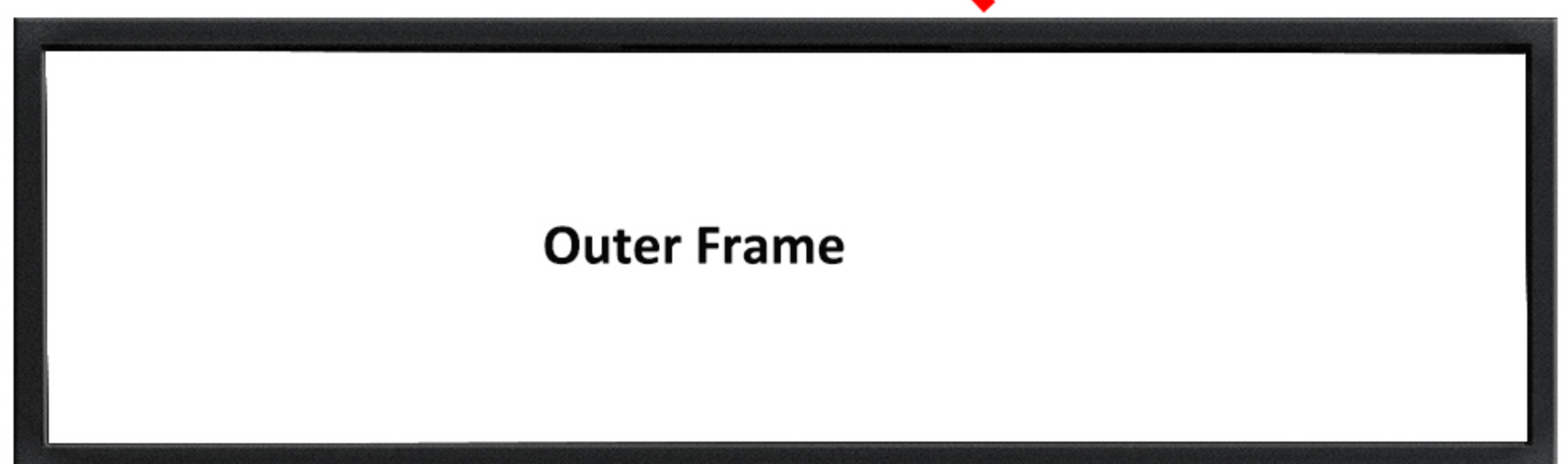
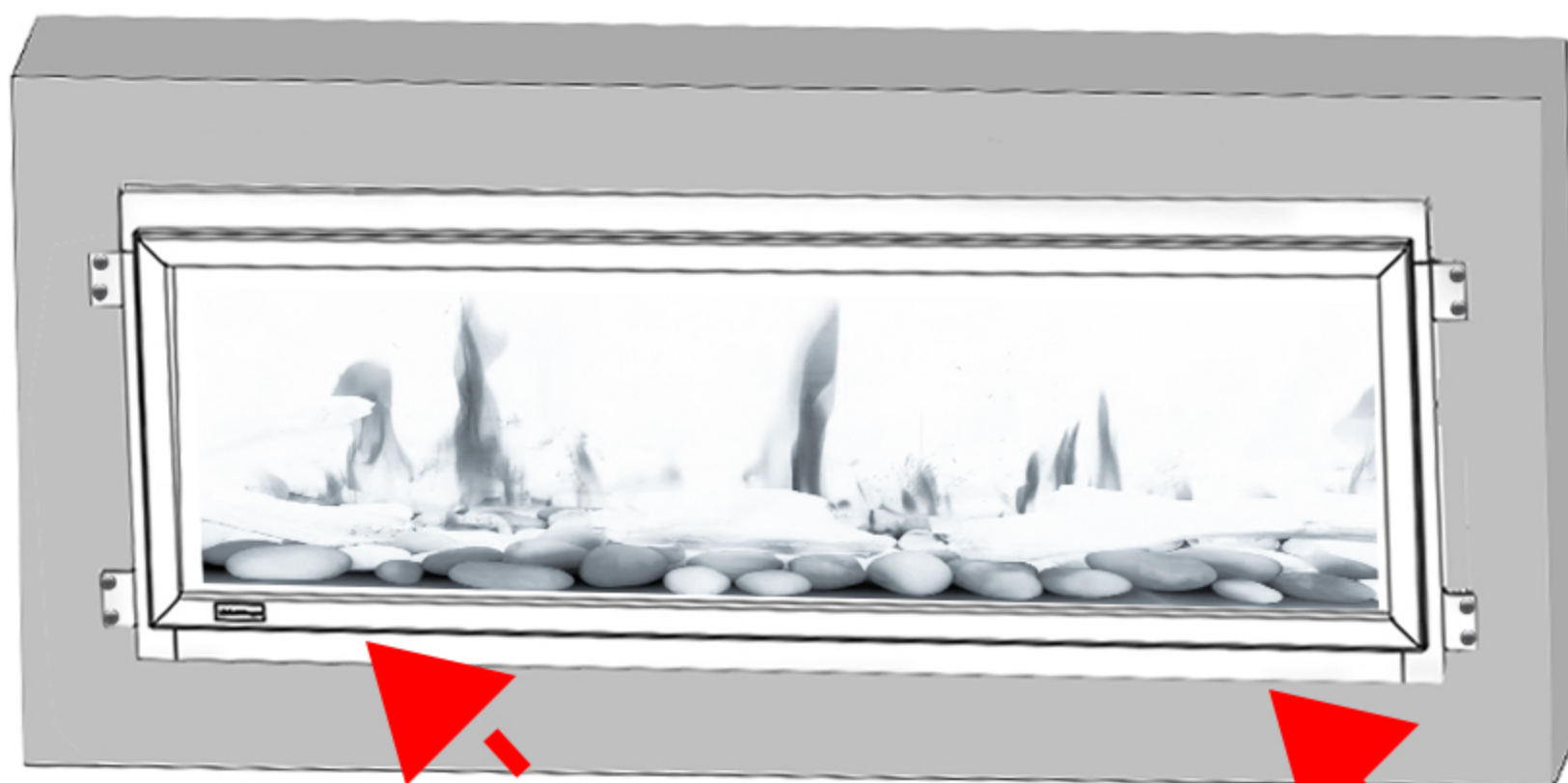


Figure 7



# Grounding instructions

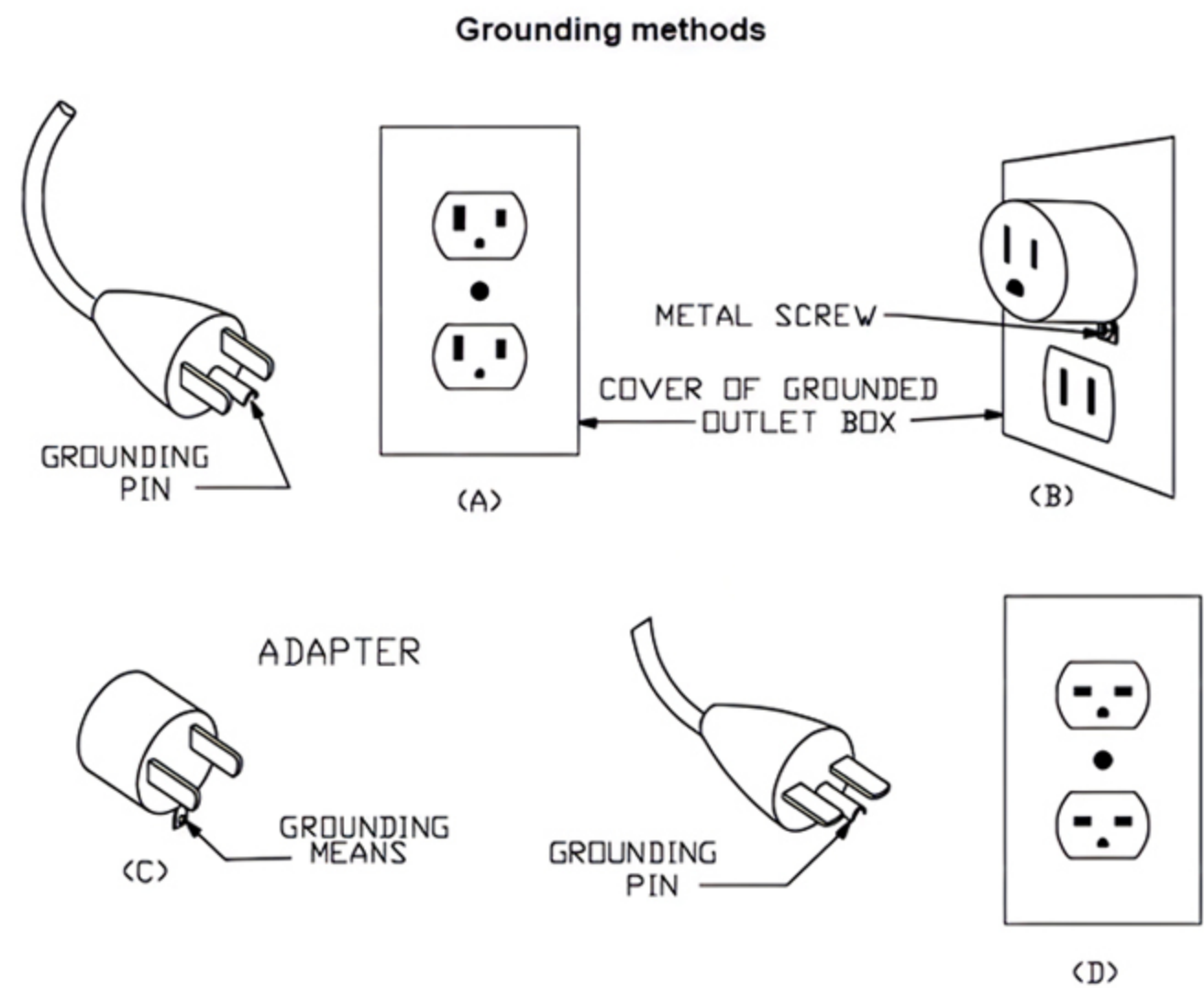


This heater is suitable for 120 volts. The power cord has a plug, as shown in A, this is a highly recommended configuration.

If you want to use an adapter, as shown in Figure C, make sure that the adapter can be used to connect the three-prong grounding type plug into a two-slot socket. Green ground lug extend from the adapter must be connected to a permanent ground, such as a properly grounded outlet box.

When properly installed, it provides a ground connection through the cord to the heater to protect the operator from electric shock.

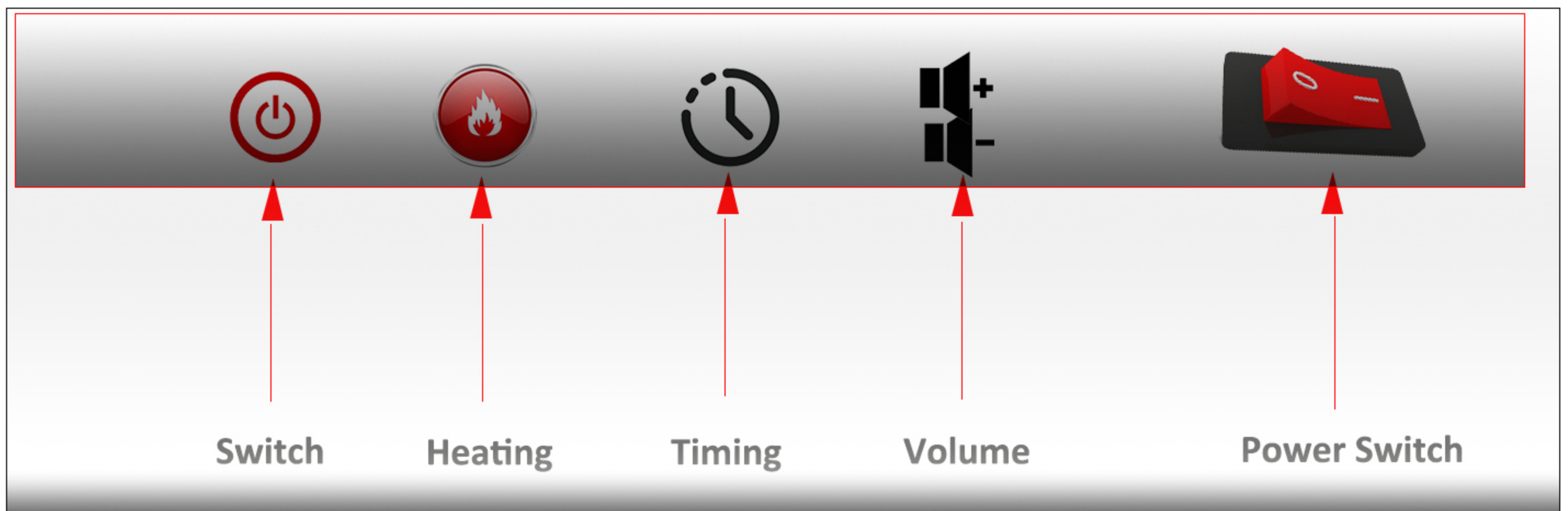
## Schematic diagram



## Operation

The appliance can be operated either by the switches located on the top right hand side of the fire or by supplied remote control.

### TO ACCESS CONTROL PANEL



1. The POWER SWITCH must be first switch on. It takes some time for the receiver to respond to the transmitter. Do not PRESS the buttons more than once within two seconds for correct operation.
2. Press once the button ON/OFF on the remote control this turns ON/OFF the appliance and fire effect.
3. Press once the HEAT button for the LOW heat setting(750W); press twice for the HIGH heat setting (1500W); press again to TURN OFF the heater. Fan will be turn off in 10 seconds.
4. TIME setting. The timing function is superimposed for 1 hours each time until 2 hours, and for every hour above 2 hours (maximum 8 hours).
5. Volume adjustment from 0-100% in 5 levels.



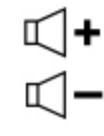
# Operation

## Infrared Remote control



POWER

**ON:** Enables control panel functions and remote control. Turn on flame effect.  
**OFF:** Disables control panel functions and remote control. Turn off flame effect



VOLUME

**Volume button:** Adjust the flame sound effect



TIMING

The timing function is superimposed for 0.5 hours each time until 2 hours, and for every hour above 2 hours (maximum 8 hours).



HEATING

**HEATER button:** Turn heater on and off.

**NOTE:** To prevent overheating, the heater fan will blow out cool air for 10 seconds after the heater turn off.

1. Press once. Indicator lights up. 750W heater turns on and blows warm air.
2. Press again. Indicator lights up. 1500W heaters turns on and blows hot air.
3. Press again. Heaters turn off.

The fan blows cool air for 10 seconds to allow heater to cool down, then turns off.



DIMMER

**Flame size and shape switching.**



- DO NOT mix old and new batteries.
- DO NOT use rechargeable silver oxide cell batteries with remote control unit.
- DO NOT mix alkaline. Standard (Carbon-zinc). Or rechargeable (Nickle - Cadmium) batteries.
- DO NOT dispose of batteries in fire. Improper disposal may cause batteries to leak or explode.

### REMOTE CONTROL



1-888-700-5228 | [www.litedeerhomes.com](http://www.litedeerhomes.com)  
 In keeping with our policy of continuous product improvement, we reserve the right to make changes without notice.  
 © 2021 LiteDeer Homes

