

Ramp Instructions

Step 1: Ramp stack pockets (504467), ramps (504466), and hardware are required for installation.

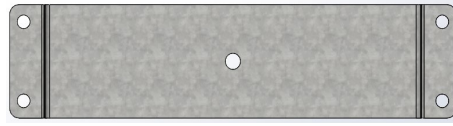
Step 2: Mount ramp stack pockets (504467) on the backchannel with the help of (501073) 1/4-20 X 3/4" hex bolt and (501081) 1/4-20 Nylon insert lock nut AND **tighten up** all 4 bolts.

Step 3: Slide ramps (504466) into ramp stack pockets (504467).

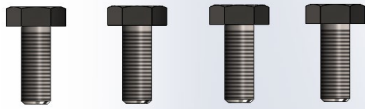
Step 4: Repeat steps 1 to 3 for another ramp.



ITEM# 1
RAMP 504466 – 2 PCS



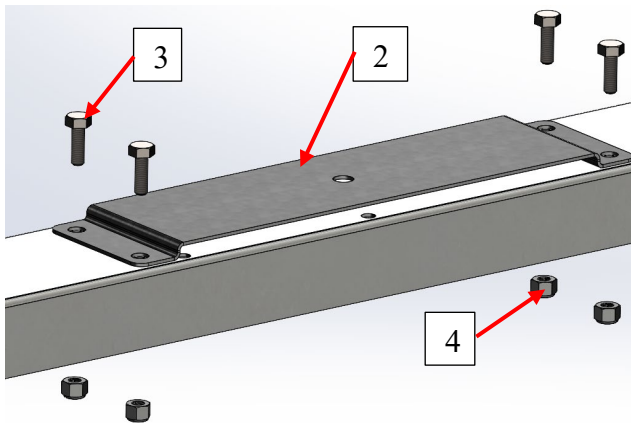
ITEM# 2 RAMP STACK
POCKETS 504467 – 2 PCS



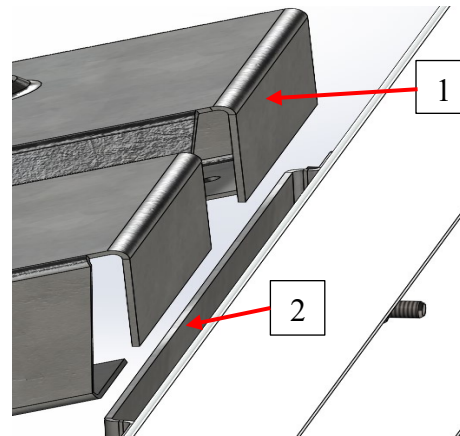
ITEM# 3 1/4-20 X 3/4"
HEX BOLT 501073 – 8 PCS



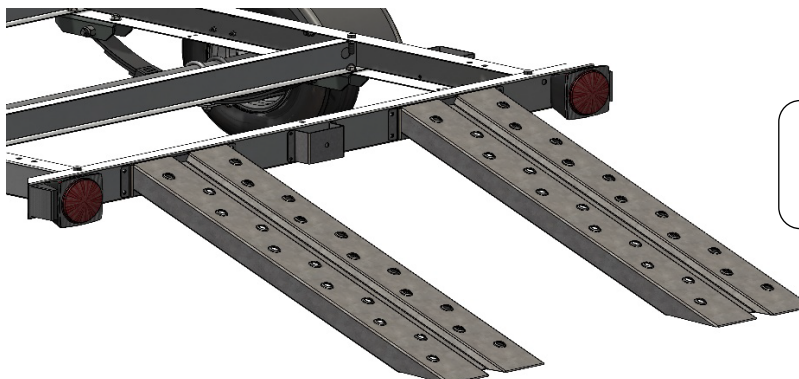
ITEM# 4 1/4-20 NYLON INSERT
LOCKNUT 501081 – 8 PCS



STEP 2



STEP 3



**FINAL
ASSEMBLY**