

# Trailer Rack Kit

Part Number: 504484



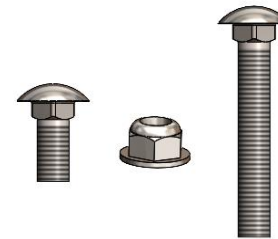
Part# 504483

## Bill of Materials:

Part	Qty	Description
504482	4	TRAILER RACK MOUNTING BRACKET
504483	2	TRAILER RACK BAR
501157	4	1.25" SQUARE PLASTIC CAP - 16GA
501010	8	5/16-18 X 3/4" CARRIAGE BOLT
501077	8	5/16-18 X 2" CARRIAGE BOLT
501083	16	5/16-18 NYLON INSERT HEX FLANGE LOCKNUT
503199	1	5X8 4MIL ZIPPER BAG
503237	1	BOX - TRAILER RACK KIT
503238	1	TRAILER RACK INSTRUCTION SHEET



Part# 504482



Part# 501010,501077  
& 501083



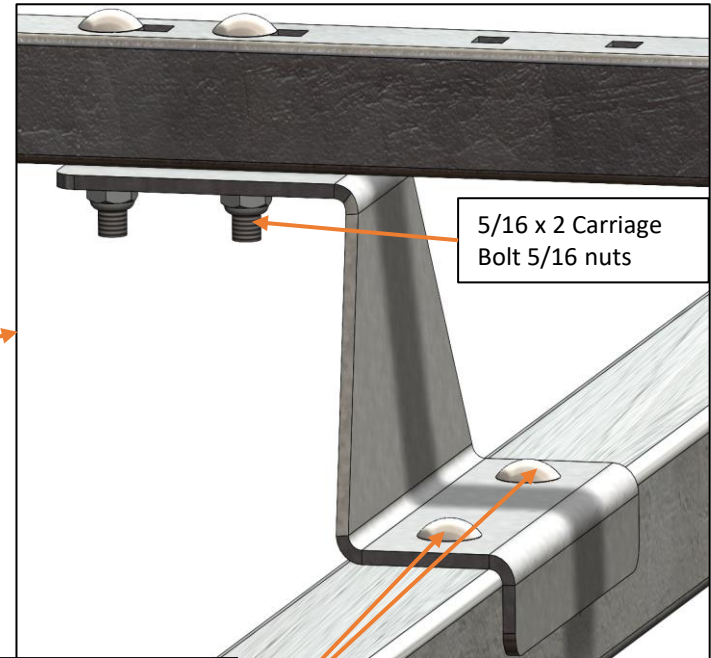
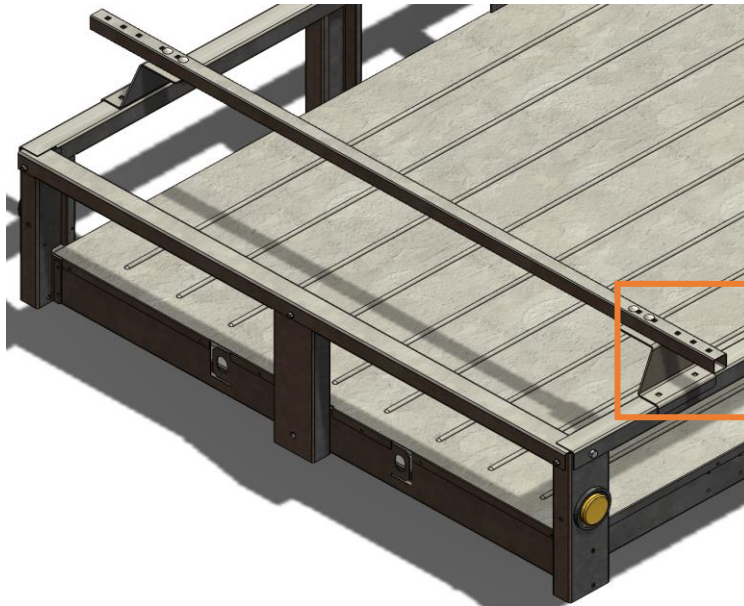
Part# 501157

# 4 X 6 ft Trailer rack installation

**Step 1:** Assemble p/n 504483 Trailer Rack Bar to p/n 504482 Trailer Rack Mounting Bracket with 5/16x2" Carriage Bolts (501077) and nuts (501083).

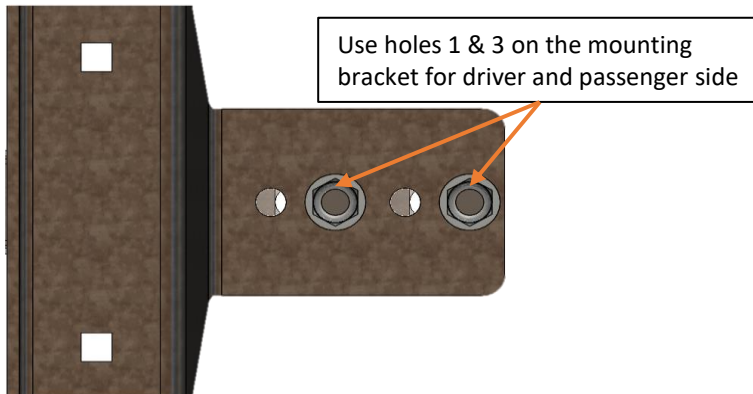
**Step 2:** Align the assembled bar and mount to the trailer, mark the mounting holes and drill for a 5/16" bolt (501010).

**Step 3:** Secure the assembly to the trailer using the 5/16"x 3/4" carriage bolts (501010) and nuts (501083)



5/16 x 2 Carriage Bolt  
5/16 nuts

Mark and Drill hole  
in the side channel.  
Secure with  
5/16x3/4" Carriage  
Bolt and 5/16" Nuts



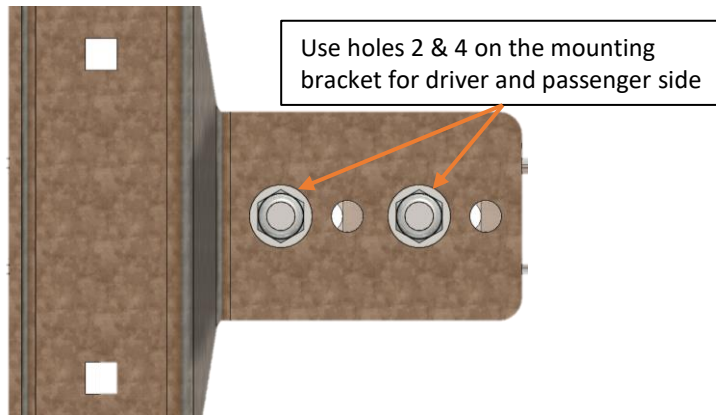
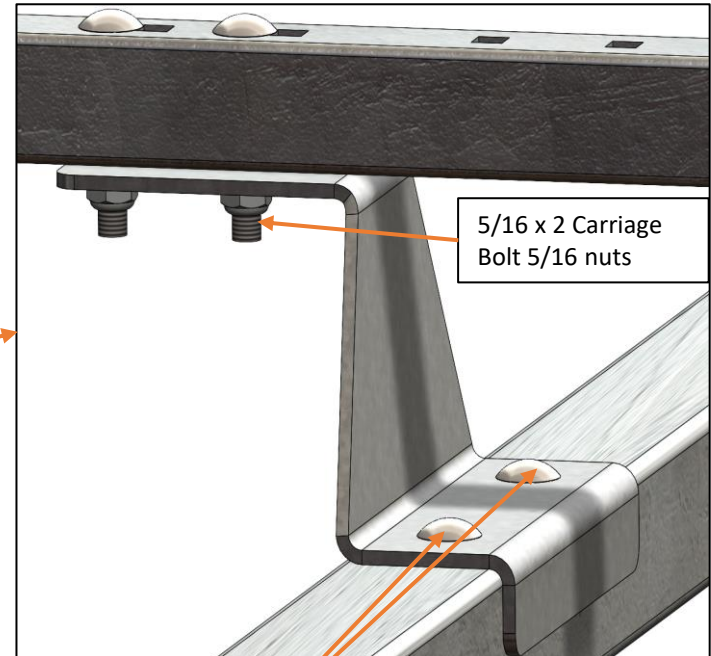
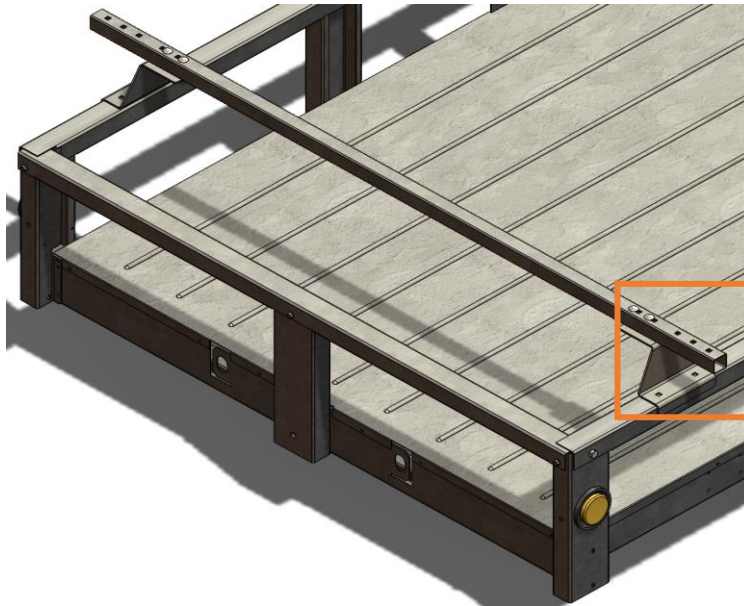
Use holes 1 & 3 on the mounting  
bracket for driver and passenger side

# 4 X 7 ft Trailer rack installation

**Step 1:** Assemble p/n 504483 Trailer Rack Bar to p/n 504482 Trailer Rack Mounting Bracket with 5/16x2" Carriage Bolts (501077) and nuts (501083).

**Step 2:** Align the assembled bar and mount to the trailer, mark the mounting holes and drill for a 5/16" bolt (501010).

**Step 3:** Secure the assembly to the trailer using the 5/16"x 3/4" carriage bolts (501010) and nuts (501083)



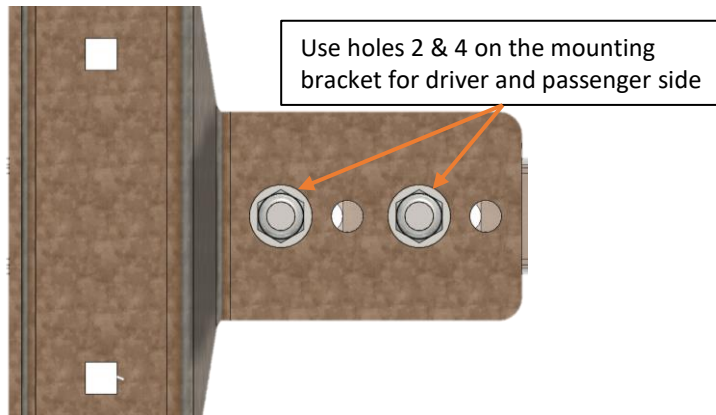
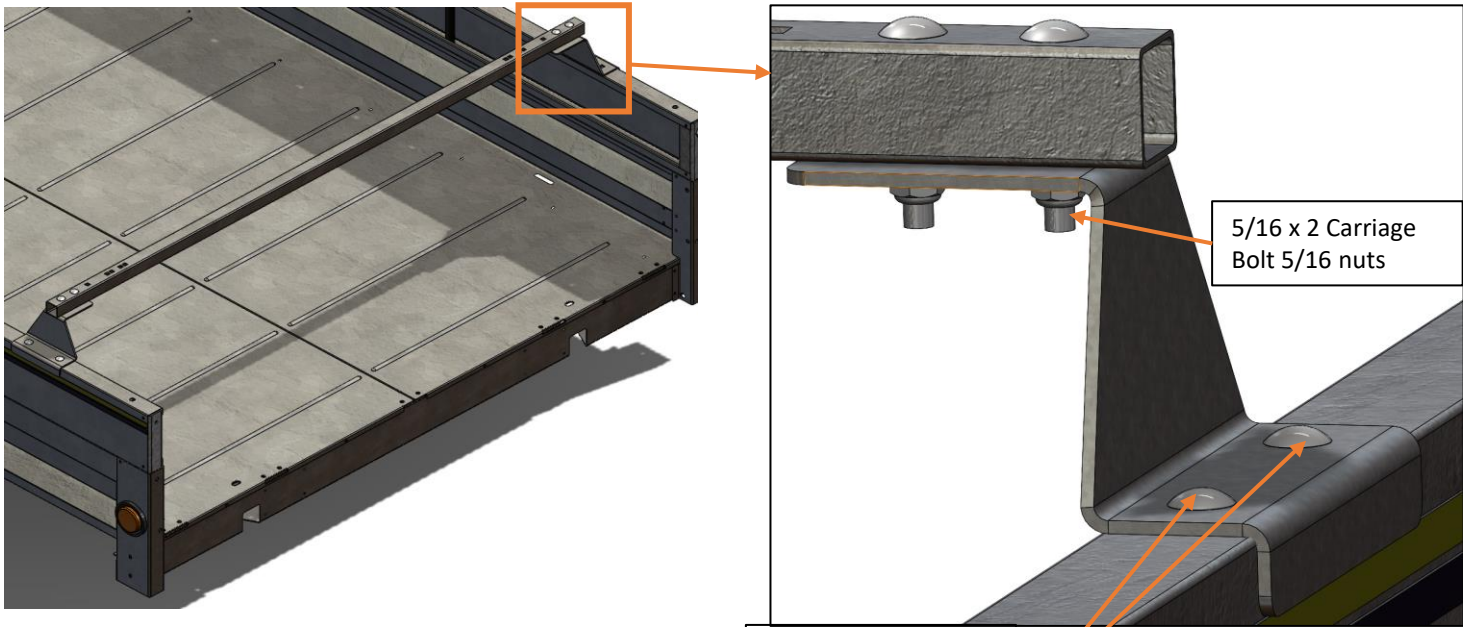
Mark and Drill hole in the side channel. Secure with 5/16x3/4" Carriage Bolt and 5/16" Nuts

# 5 X 7 ft/ 5 X 10 ft Trailer rack installation

**Step 1:** Assemble p/n 504483 Trailer Rack Bar to p/n 504482 Trailer Rack Mounting Bracket with 5/16x2" Carriage Bolts (501077) and nuts (501083).

**Step 2:** Align the assembled bar and mount to the trailer, mark the mounting holes and drill for a 5/16" bolt (501010).

**Step 3:** Secure the assembly to the trailer using the 5/16"x 3/4" carriage bolts (501010) and nuts (501083)



Mark and Drill hole in the side channel. Secure with 5/16x3/4" Carriage Bolt and 5/16" Nuts



# Kit trailer rack installation

**Step 1:** Assemble p/n 504483 Trailer Rack Bar to p/n 504482 Trailer Rack Mounting Bracket with 5/16x2" Carriage Bolts (501077) and nuts (501083).

**Step 2:** Align the assembled bar and mount to the trailer, mark the mounting holes and drill for a 5/16" bolt (501010).

**Step 3:** Secure the assembly to the trailer using the 5/16"x 3/4" carriage bolts (501010) and nuts (501083)

