



see what Delta can do™

KITCHEN SINKS

- Everest® Collection
- Undermount Granite Workstation

FEATURES:

- Undermount Single Bowl Sink
- Rear Off Set Drain

STANDARD SPECIFICATIONS:

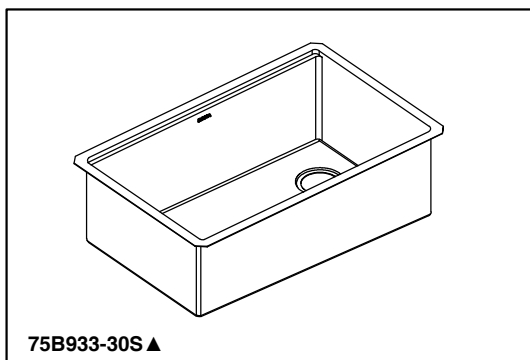
- Granite Composite Construction
- Required Minimum Cabinet Size: 33" Left to Right, 24" Front to Back
- 3 1/2" Drain Opening
- Strainer ADU25-GR (included)
- Drying Mat ACU25-SDDM (included)
- Cutting Board ABU24-HPL (included)
- Rolling Mat ACU24-SRMC (included)
- Cut-Out Template (included)
- Mounting Hardware (included)
- Available in Black, White and Dark Grey

WARRANTY:

- Lifetime Limited Warranty

COMPLIES WITH:

- cUPC

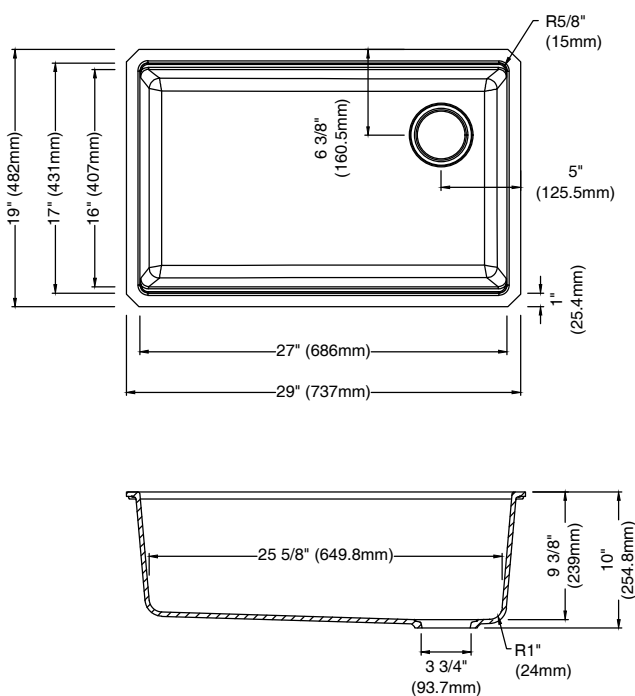


75B933-30S ▲

Submitted Model No.: _____

Specific Features: _____

75B933-30S ▲



▲ Designate proper finish suffix

Delta reserves the right (1) to make changes in specifications and materials, and (2) to change or discontinue models, both without notice or obligation. Dimensions are for reference only. See current full-line price book or www.deltafaucet.com for finish options and product availability.

Delta Faucet Company

55 E. 111th Street, Indianapolis, IN 46280
350 South Edgeware Road, St. Thomas, ON N5P 4L1
Sinksupport@deltafaucet.com
© 2021 Delta Faucet Company