



# ELECTRIC LAWN MOWER + MULCHER

## 17-INCH | 13-AMP

### OPERATOR'S MANUAL

A Division of Snow Joe®, LLC

Model MJ403E

Form No. SJ-MJ403E-880E-MR6

## IMPORTANT!

### Safety Instructions

### All Operators Must Read These Instructions Before Use

Always follow these safety guidelines. Failure to do so may result in serious bodily injury or death.

### General Safety WARNINGS!

When using this electric lawn mower + mulcher, basic safety precautions should always be followed to reduce the risk of fire, electric shock, and personal injury. These precautions include:

**⚠️ WARNING!** Do not operate without the entire grass catcher, discharge guard, rear guard, or other safety protective devices in place and in proper working order.

**⚠️ WARNING!** The use of any other accessory or attachment might increase the risk of injury.

**⚠️ WARNING!** To reduce the risk of injury, inspect the catcher assembly frequently and replace with recommended replacement if there are signs of wear or deterioration.

Before using the electric lawn mower + mulcher, take the time to familiarize yourself with the controls, especially how to stop the unit in an emergency. The only individuals who should use the unit are those who have a thorough understanding of the instructions and who know how to operate the machine. Children should never be allowed access to the electric lawn mower + mulcher.

Retain this manual for future reference and reread it at the start of each mowing season.

**⚠️ WARNING!** Contact with moving parts may cause entanglement, dismemberment or other serious bodily injury. Always keep body parts (i.e. hands, feet) a safe distance away from moving parts. Ensure all covers and guards are securely in place before use.

Hot surfaces (i.e. the motor) may ignite flammable or combustible items and cause a fire or explosion, which can result in serious bodily injury. Keep the electric lawn mower + mulcher a safe distance away from flammable or combustible items until surfaces that are hot have completely cooled. Do not store the unit near flammable or combustible items.

**A damaged blade or worn blade nut may break off the mower assembly and cause serious injury. Replace the damaged blade or blade nut before using the unit.**

- 1. Avoid dangerous conditions** – Do not use the electric lawn mower + mulcher in the rain or when the grass is damp or wet.
- 2. Keep children, bystanders, and pets away** – Always keep children and spectators a safe distance away from the unit during operation and as the machine cools.
- 3. Dress properly** – Always wear personal safety gear (i.e. glasses, rubber gloves, protective footwear, and dust masks) and proper clothing when using the unit. Loose clothing, long hair, or jewelry may get caught in the moving parts.
- 4. Use the right appliance** – Do not use the electric lawn mower + mulcher for any applications other than those for which it was intended.
- 5. Do not force the lawn mower** – It will perform better with less likelihood of personal or mechanical injury if it is used at the rate for which it was designed.
- 6. Do not overreach** – Keep proper footing and balance at all times.
- 7. Stay alert** – Always be alert and watch what you are doing. Use common sense. Do not operate the electric lawn mower + mulcher when you are tired or under the influence of alcohol or drugs.
- 8. Disconnect the electric lawn mower + mulcher** – Disconnect the unit from the power supply when it is not in use, before servicing it, when changing accessories, and when performing any other maintenance task.
- 9. Store idle electric lawn mower + mulcher indoors** – When not in use, the unit should be stored indoors in a dry, locked place out of the reach of children.
- 10. Maintain the electric lawn mower + mulcher with care** – Keep cutting edges sharp and clean for best and safest performance.

Inspect the cord periodically and if damage is found have it repaired by an authorized service facility. Extension cords should also be inspected periodically and immediately replaced if damaged. Keep handles dry, clean and free from oil and grease.

# Electrical Safety

1. Ground fault circuit interrupter (GFCI) protection should be provided on the circuit(s) or outlet(s) to be used for the unit. Receptacles are available having built-in GFCI protection and may be used for this measure of safety.
2. Make sure that the mains voltage matches that listed on the unit's rating label. Using the improper voltage can damage the motor and injure the user.
3. To reduce the risk of electric shock, this appliance has a polarized plug (i.e. one blade is wider than the other). Use this appliance only with a polarized UL-, CSA- or ETL-listed extension cord recommended for outdoor, all-weather use, such as the Snow Joe® + Sun Joe® Power Joe SJTW-A 14-gauge 50-foot extension cord with lighted end (Model PJEXT50-B). Visit [sunjoe.com](http://sunjoe.com) to purchase this extension cord online or, to order by phone, call 1-866-SNOWJOE (1-866-766-9563).

The appliance plug will fit into a polarized extension cord only one way. If the appliance plug does not fit fully into the extension cord, reverse the plug. If the plug still does not fit, obtain a correct polarized extension cord. A polarized extension cord will require the use of a polarized wall outlet. The extension cord plug will fit into the polarized wall outlet only one way. If the plug does not fit fully into the wall outlet, reverse the plug. If the plug still does not fit, contact a qualified electrician to install the proper wall outlet. Do not modify the appliance plug, extension cord receptacle, or extension cord plug in any way.

4. To prevent electric shock, use only with an extension cord suitable for outdoor use, such as SW-A, SOW-A, STW-A, STOW-A, SJW-A, SJOW-A, SJTW-A, or SJTOW-A.

Before use, check that the extension cord is in good condition. When using an extension cord, make sure to use one heavy enough to carry the current your product will draw. An undersized cord will cause a drop in line voltage resulting in loss of power and overheating.

⚠ **WARNING** ⚠

**Electric shock may cause SEVERE INJURY or DEATH. Heed these warnings:**

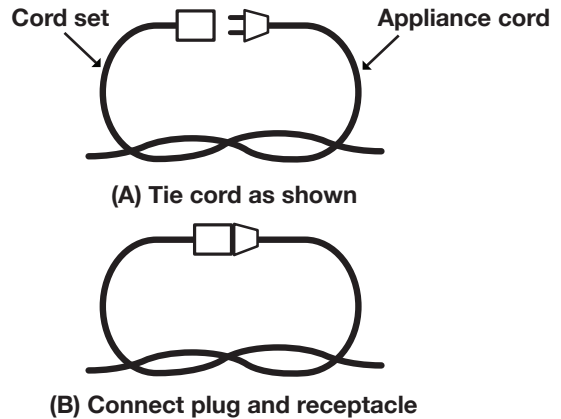
- Do not allow any part of the electric lawn mower + mulcher to make contact with water while it is in operation. If the appliance becomes wet while turned off, wipe dry before starting.
- Use only a UL-, CSA-, or ETL-rated extension cord for outdoor, all-weather use, such as the Snow Joe® + Sun Joe® Power Joe SJTW-A 14-gauge 50-foot extension cord with lighted end (Model PJEXT50-B). Visit [sunjoe.com](http://sunjoe.com) to purchase this extension cord online or, to order by phone, call 1-866-SNOWJOE (1-866-766-9563).
- Do not use an extension cord over 100 ft (30 m).
- Do not touch the appliance or its plug with wet hands or while standing in water. Wearing rubber boots offers some protection.

**EXTENSION CORD CHART**

Extension Cord Length	Up to 50 ft (15 m)	+50 ft - 100 ft (+15 m - 30 m)
Wire Gauge (A.W.G.):	14	12


5. To prevent the appliance cord from disconnecting from the extension cord during operation, make a knot with the two cords as shown in Table 1.

**Table 1. Method of Securing Extension Cord**



6. Do not abuse the cord. Never pull the electric lawn mower + mulcher by the cord or yank the cord to disconnect it from the receptacle. Keep the cord away from heat, oil, and sharp edges.

## Double-Insulated Appliances

In a double-insulated appliance, two systems of insulation are provided instead of grounding. No grounding means is provided on a double-insulated appliance, nor should a means for grounding be added to the appliance. Servicing a double-insulated appliance requires extreme care and knowledge of the system, and should be performed only by qualified service personnel at an authorized Snow Joe® + Sun Joe® dealer. Replacement parts for a double-insulated appliance must be identical to the parts they replace. A double-insulated appliance is marked with the words “Double Insulation” or “Double Insulated.” The symbol  (square within a square) may also be marked on the appliance.



**DOUBLE-INSULATED: GROUNDING NOT REQUIRED. WHEN SERVICING, USE ONLY IDENTICAL REPLACEMENT PARTS.**

This electric lawn mower + mulcher is double-insulated, eliminating the need for a separate grounding system. Use only identical replacement parts. Read the instructions before servicing double-insulated appliances. Use this electric lawn mower + mulcher only as described in this manual.

## IMPORTANT! Safety Instructions for Walk-Behind Mowers

### General Operation

- Read, understand, and follow all instructions on the machine and in the manual(s) before starting.
- Do not put hands or feet near or under the machine. Always stay clear of the discharge opening.
- Keep guards in place and in proper working order.
- Only responsible adults who are familiar with the instructions should be allowed to operate this machine.
- Clear the mowing area of foreign objects such as rocks, wire, toys, and other miscellaneous articles, which could be picked up and thrown by the blade. Stay behind the handle when the engine (motor) is running.
- Make sure that the mowing area is clear of bystanders before starting the machine. Stop the machine if anyone enters the area.
- Do not operate the machine barefooted or while wearing sandals. Always wear substantial footwear.
- Always look down and behind before and while moving backward with the mower.
- Never direct discharged material toward anyone. Avoid discharging material against a wall or other obstruction.
- Do not operate the machine without the entire grass catcher, discharge guard, rear guard, or other safety protective devices in place and in proper working order.
- Never leave a running machine unattended.

- Stop the engine (motor) and wait until the blade comes to a complete stop before cleaning the machine, removing the grass catcher, or unclogging the discharge guard.
- Operate the machine only in daylight or in good artificial light.
- Do not operate the machine when you are tired or under the influence of alcohol or drugs.
- Never operate the mower in wet grass. Always be sure of your footing; walk, never run with the mower.
- If the machine should start to vibrate abnormally, stop the engine (motor) and immediately check the machine to ascertain the cause. Vibration is generally a signal of trouble.
- Keep blades sharp.
- Keep hands and feet away from the cutting area.
- Always wear eye protection when operating the machine.
- Objects struck by the lawn mower blade can cause severe injuries. The mowing area should always be carefully examined and cleared of all objects prior to each mowing.
- If the lawn mower strikes a foreign object, follow these steps:
  - i) Stop the lawn mower by releasing the switch bar lever.
  - ii) Unplug the power cord.
  - iii) Inspect for damage.
  - iv) Repair any damage before restarting and operating the lawn mower.
- Only use identical replacement blades.

### Slope Operation

Slopes are major factors related to slip and fall accidents, which can result in severe injury. Operation on all slopes requires extra caution. If you feel uneasy on a slope, do not mow it.

- Mow across the face of slopes; never mow slopes following an up and down traverse. Exercise extreme caution when changing direction on a slope.
- Watch for holes, ruts, bumps, rocks, or other hidden objects. These may cause an unexpected slip or fall.
- Do not mow on wet grass or excessively steep slopes. Poor footing could cause a slip and fall accident.
- Do not mow near drop offs, ditches, or embankments. You could lose your footing or balance.

### Children

Tragic accidents can occur if the operator is not alert to the presence of children. Children are often attracted to the machine and the mowing activity. Never assume that children will remain where you last saw them.

- Keep children out of the mowing area and under the watchful care of a responsible adult other than the operator.








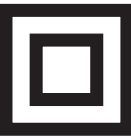
- Stay alert and turn the machine off if a child enters the area.
- Never allow children to operate the machine.
- Use extra care when approaching blind corners, shrubs, trees, or other objects that may block your view of a child.

## **Service**

- Keep all nuts and bolts tight.
- Never tamper with safety devices. Regularly check to ensure these devices are in place and in proper working order.
- Keep the mower free from grass, leaves, or other debris buildup.
- If you strike a foreign object, stop and inspect the machine. Repair, if necessary, before restarting.
- Never make any adjustments or repairs with the engine (motor) running. Always unplug electric mowers before adjusting, cleaning, or repairing.
- Check the grass catcher components and the discharge guard frequently and replace with manufacturer's recommended parts when necessary.
- Mower blades are sharp. Wrap the blade or wear gloves, and use extra caution when servicing them.
- Maintain or replace safety and instruction labels, as necessary.

# Safety Symbols

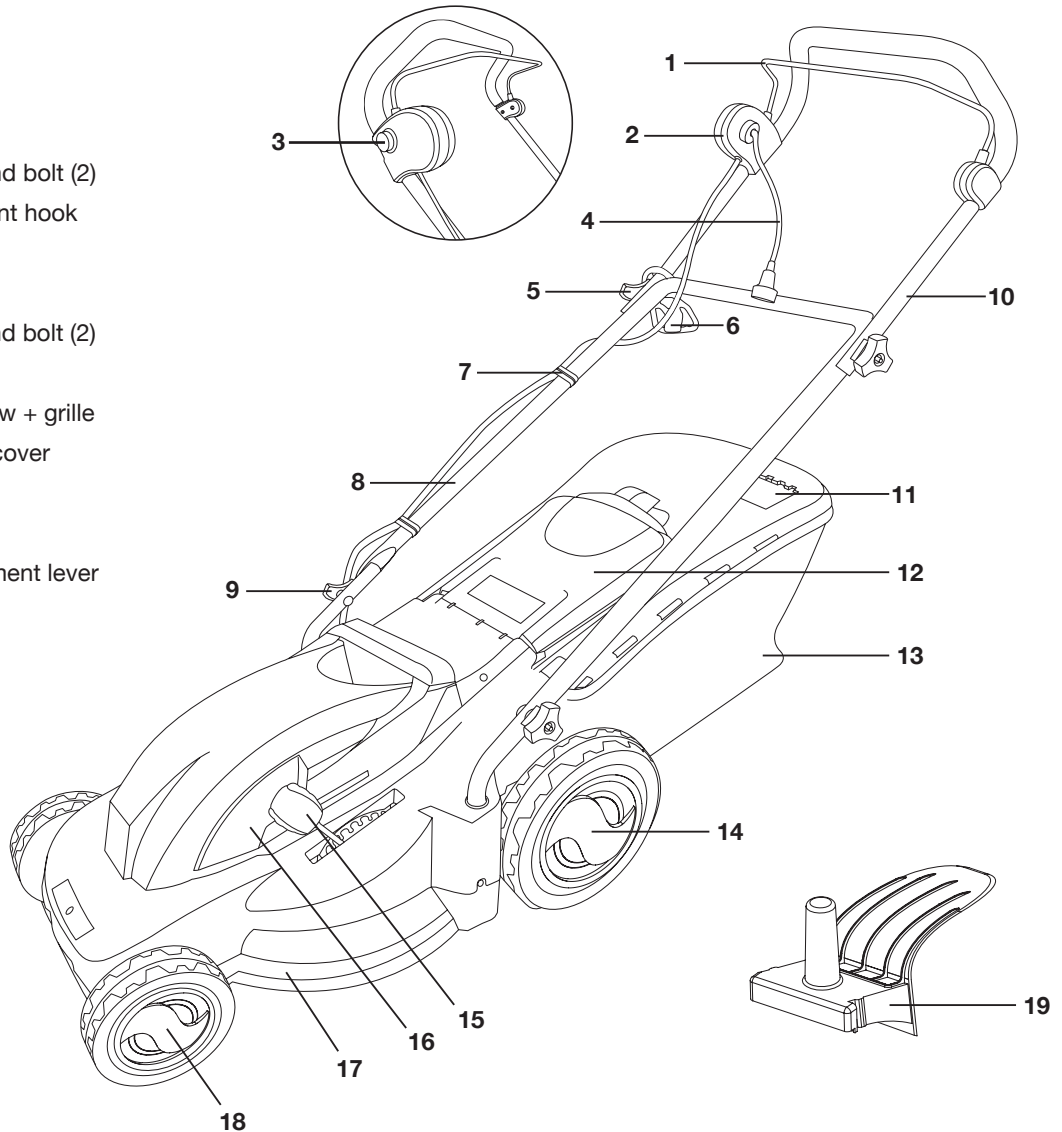
The following table depicts and describes safety symbols that may appear on this product. Read, understand, and follow all instructions on the machine before attempting to assemble and operate.

Symbols	Descriptions	Symbols	Descriptions
	CPSC Danger label.		Keep bystanders and children a safe distance away.
	<p>Safety Alert. Caution.</p> <p>To reduce the risk of injury, user must read instruction manual.</p>		Wear eye and hearing protection. For protection against injury, wear ear defenders and safety goggles.
	Slip on slope hazard – Use extra caution when mowing on slopes to prevent slip and fall accidents.		Severing of toes or fingers by rotary mower blade.
	Thrown objects and rotating blade can cause severe injury.		Double Insulation.

# Know Your Electric Lawn Mower + Mulcher

Read the owner's manual and safety instructions carefully before operating the electric lawn mower + mulcher. Compare the illustration below to the mower in order to become familiar with the location of the various controls and adjustments. Save this manual for future reference.

1. Switch bar lever
2. Switch box housing
3. Safety lock button
4. Appliance cord
5. Upper handle knob and bolt (2)
6. Extension cord restraint hook
7. Cable clip (2)
8. Lower handle frame
9. Lower handle knob and bolt (2)
10. Upper handle frame
11. Grass indicator window + grille
12. Grass collection bag cover
13. Grass collection bag
14. Rear wheel (2)
15. Cutting height adjustment lever
16. Vent
17. Chassis
18. Front wheel (2)
19. Mulch plug



## Technical Data

Motor .....	13-Amp	Grass Collection Bag Capacity .....	12 gal (45 L)
Rated Voltage .....	120V ~ 60 Hz	Cutting Height .....	0.98 in. to 2.87 in. (25 mm to 73 mm)
No Load Speed .....	3,500 rpm	Wheel Size .....	6.5 in. (16.5 cm) front 10 in. (25.4 cm) rear
Rotor .....	17 in. (43 cm) steel blade	Net Weight .....	31.5 lbs (14.3 kg)
Cutting Width .....	17 in. (43 cm)		

# Unpacking

## Carton Contents

- Electric lawn mower + mulcher body
- Upper handle frame
- Lower handle frame
- Grass collection bag
- Mulch plug (preassembled on the machine body)
- Upper handle knob and bolt (2)
- Lower handle knob and bolt (2)
- Cable clip (2)
- Grass collection bag handle
- Manual and registration card

1. Carefully remove the lawn mower + mulcher and check to see that all of the above items are supplied.
2. Inspect the product carefully to make sure no breakage or damage occurred during shipping. If you find damaged or missing parts, DO NOT return the unit to the store. Please call the Snow Joe® + Sun Joe® customer service department at 1-866-SNOWJOE (1-866-766-9563).

**NOTE:** Do not discard the shipping carton and packaging material until you are ready to use your new electric lawn mower + mulcher. The packaging is made of recyclable materials. Properly dispose of these materials in accordance with local regulations.

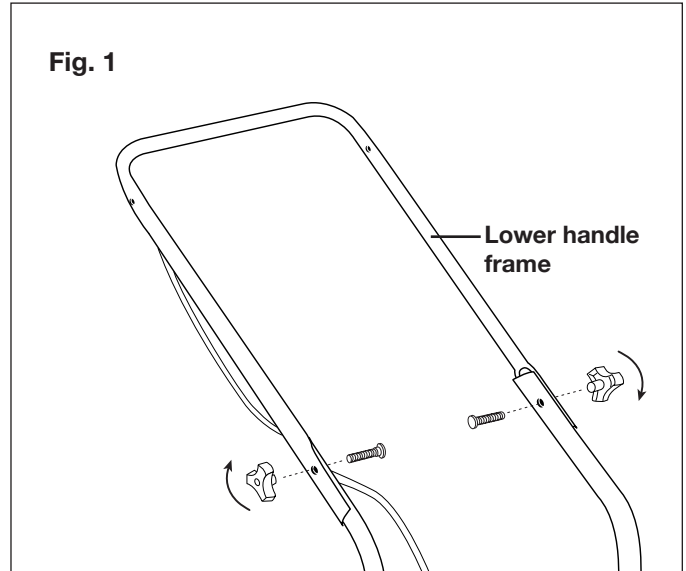
**IMPORTANT!** The equipment and packaging material are not toys. Do not let children play with plastic bags, foils, or small parts. These items can be swallowed and pose a suffocation risk!

## Assembly

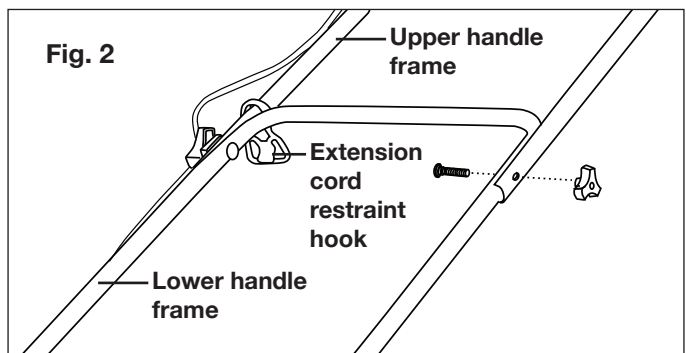
Carefully follow the instructions below to assemble your Sun Joe® electric lawn mower + mulcher. If you have questions during assembly, please contact the Snow Joe® + Sun Joe® customer service department at 1-866-SNOWJOE (1-866-766-9563).

## Connecting the Upper and Lower Handle Frames

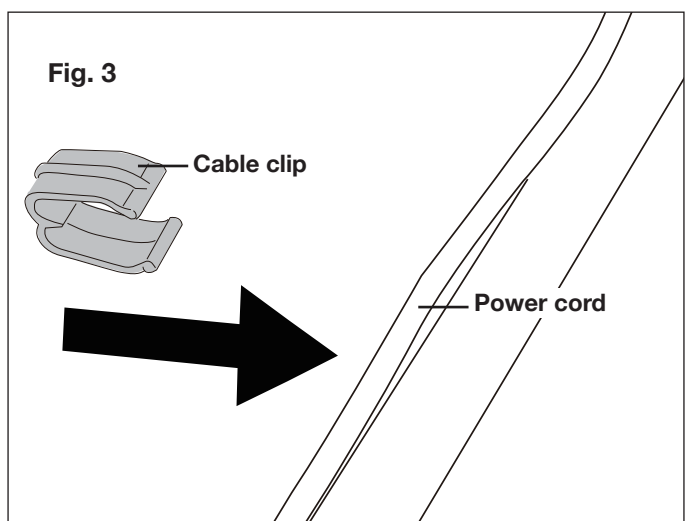
1. Secure the lower handle frame to the machine using the lower handle knobs and bolts. Tighten the knobs on each side to ensure a secure fit (Fig. 1).



2. Slide the extension cord restraint hook on the upper handle frame, then connect the upper handle frame to the lower handle frame using the upper handle knobs and bolts. Tighten the knobs on each side to ensure a secure fit (Fig. 2).

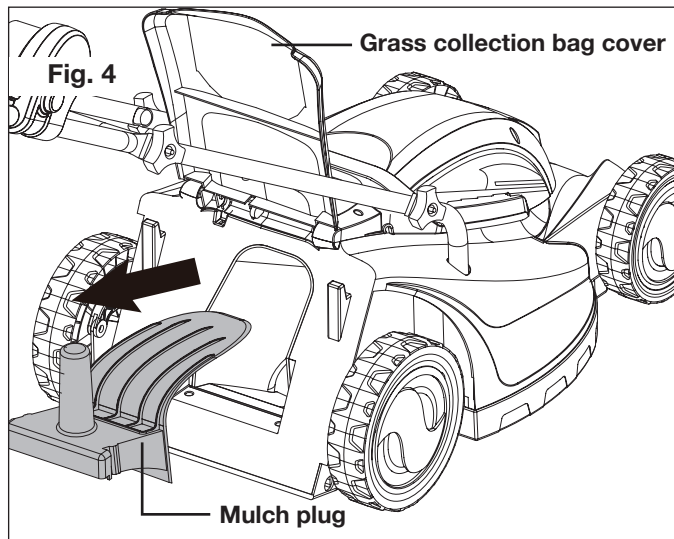


3. Use the provided cable clips to secure the power cord along the lower handle frame (Fig. 3).

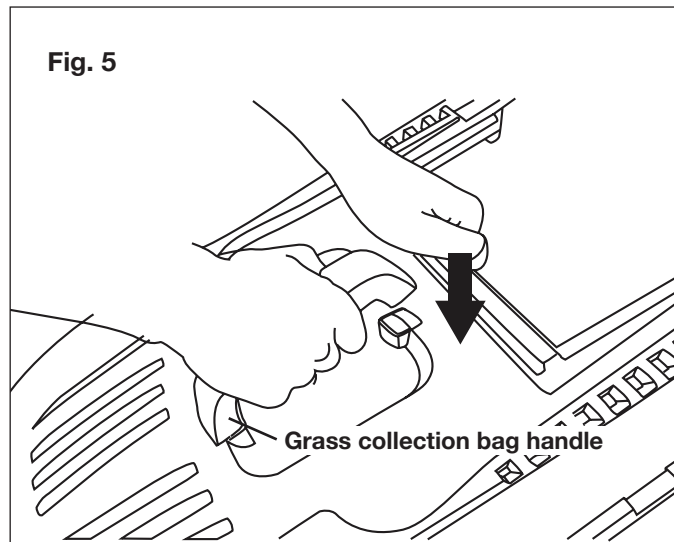


## Fitting the Grass Collection Bag

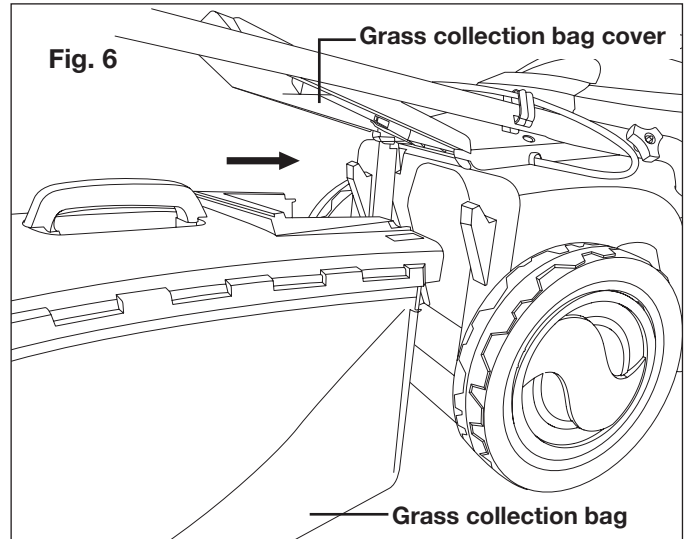
1. Lift the grass collection bag cover and remove the pre-installed mulch plug (Fig. 4).



2. Install the grass collection bag handle on the grass collection bag (Fig. 5).



3. Lift up the grass collection bag cover and hang the grass collection bag from the mower's mounting hooks (Fig. 6).



## Operation

This electric lawn mower + mulcher has been designed to cut grass. Do not use this tool for any application other than that for which it was intended.

This electric lawn mower + mulcher is suitable for private residential use to cut grass in small to mid-size lawns and gardens. This lawn mower is not intended to be used to cut grass in public parks, playing fields, farms, or forests.

**⚠ WARNING!** Do not switch on the unit until it has been completely assembled. Before switching on the unit, always check both the appliance and extension cord for signs of damage; only an intact cord should be used.

**NOTE:** Damaged extension cords pose a severe risk of injury. Replace damaged cords immediately.

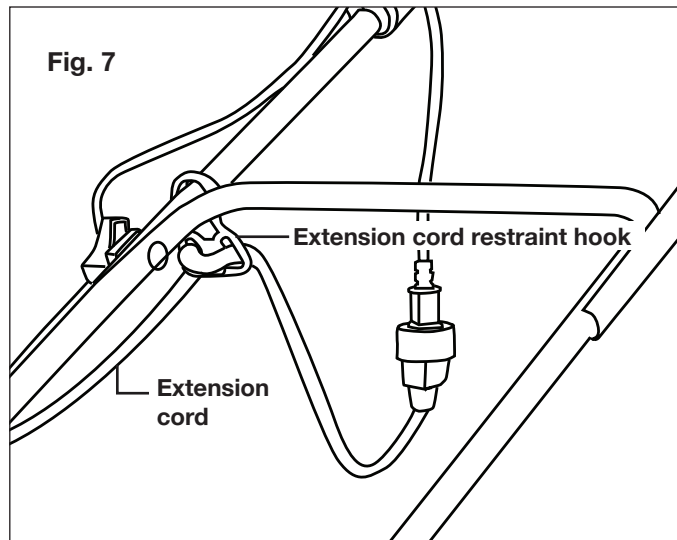
## Non-permitted Users

Persons who are not familiar with the operating manual, children, young people under the age of 16 as well as persons under the influence of alcohol, drugs, or medication are not permitted to operate the unit.



## Power Connection

1. Push a loop of the extension cord through the slot on the extension cord restraint hook from the opposite side of the restraint hook (Fig. 7). Insert the appliance cord into a proper outdoor extension cord (see Extension Cord Chart on page 2).

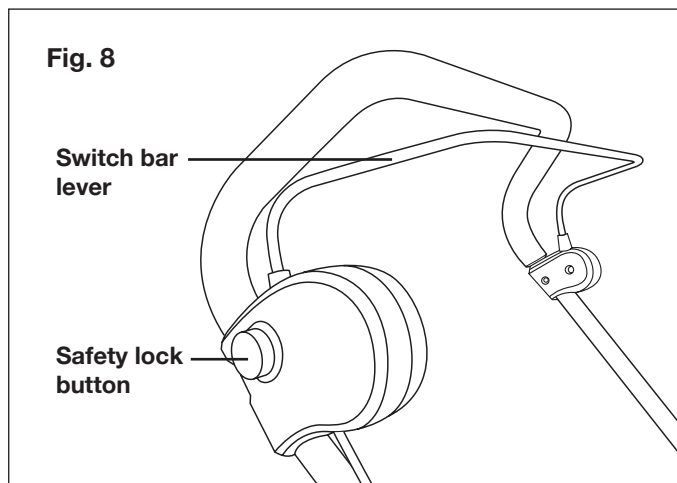


2. Secure the appliance cord to the extension cord as shown in Table 1 (page 2).

## Starting + Stopping

**IMPORTANT:** Do not start the unit in tall grass.

1. To start the electric lawn mower + mulcher, press and hold the safety lock button while pulling the switch bar lever toward you. Once the machine powers on, release the safety lock button and proceed with operation (Fig. 8).
2. To stop the electric lawn mower + mulcher, release the switch bar lever (Fig. 8).

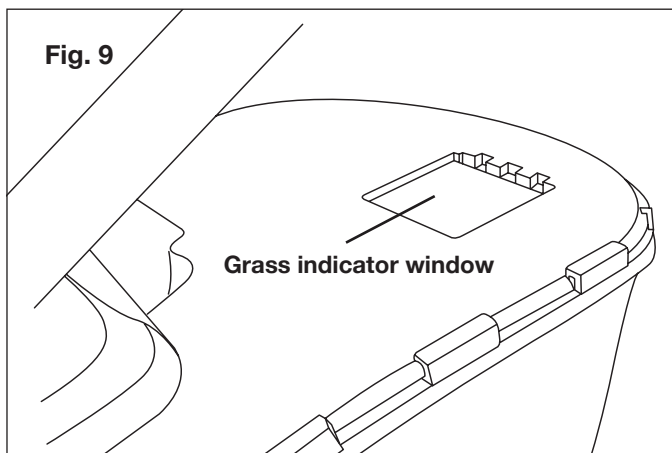


**NOTE:** While mowing, rest the extension cord safely on footpaths and on previously mowed areas.

**⚠ WARNING!** When the motor has been switched off, the cutter will continue to run for several seconds. Do not touch the underside of the mower until the cutter has come to a complete standstill.

## Grass Collection Bag

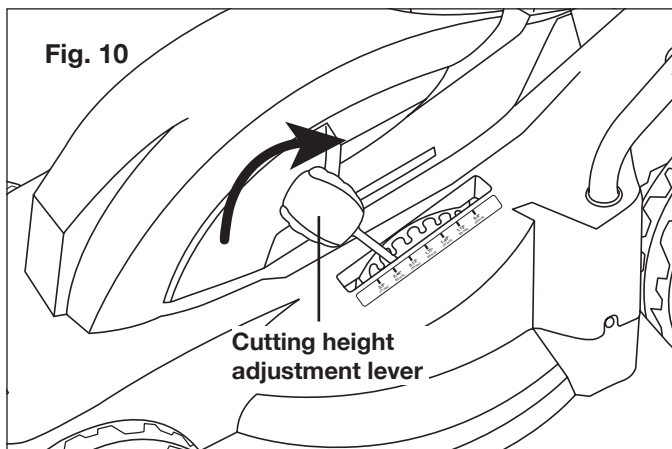
1. If the grass collection bag is empty or is not completely full with grass, the grass indicator window will remain open (due to the flow of air) or will flutter open and close as the grass accumulates in the bag (Fig. 9).
2. When the collection bag reaches its maximum capacity, the grass indicator window will remain closed (due to the restricted air flow). This signals that it is time to empty the bag.



## Setting the Cutting Height

This electric lawn mower + mulcher is equipped with a 7-position height adjustment lever to tailor grass cutting heights from 0.98 in. (25 mm) to 2.87 in. (73 mm). To change the cutting height of the grass, set the lever to the desired position (Fig. 10).

1. Push the cutting height adjustment lever to the outside of the chassis (Fig. 10).
2. Insert the lever into the desired slot.



### 7-Position Height Adjustment:

- |                     |                     |
|---------------------|---------------------|
| 1. 0.98 in. (25 mm) | 5. 2.17 in. (55 mm) |
| 2. 1.18 in. (30 mm) | 6. 2.56 in. (65 mm) |
| 3. 1.5 in. (38 mm)  | 7. 2.87 in. (73 mm) |
| 4. 1.89 in. (48 mm) |                     |

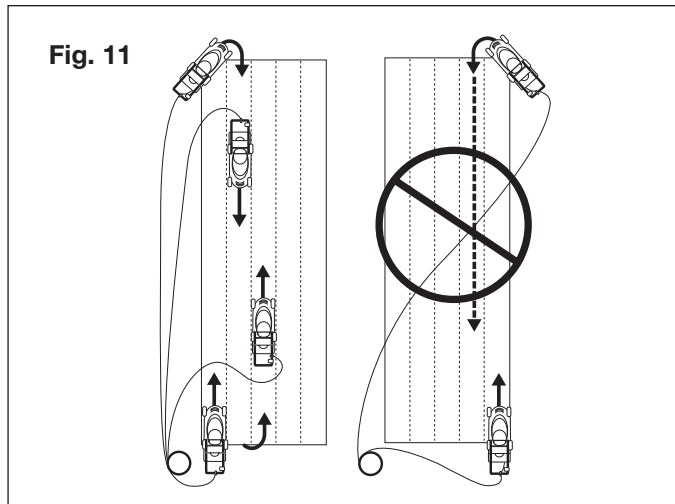
**⚠WARNING!** Before performing any maintenance or cleaning work, always disconnect the power supply to the unit.

### Mowing Tips

**⚠WARNING!** Inspect the area prior to mowing/mulching and remove all the stones, sticks, wires, and other debris that might be thrown by the rotating blade.

**NOTE:** A sharp blade will greatly enhance the performance of the mower, especially when cutting tall blades of grass.

- Be sure to check the blade periodically for signs of wear and sharpen it at least once per year, as described in the maintenance section.
- Verify that the lawn is free of stone, sticks, wires, and other foreign objects that could damage the blade or the motor. These objects could accidentally be picked up and thrown by the mower in any direction, which could lead to serious personal injury to the operator and to others.
- In order to prevent electric shock, do not operate the mower in damp or wet conditions.
- Do not mow in a circle. Travel back and forth across the lawn following the path outlined below (Fig. 11).
- When cutting thick grass, reduce your walking speed in order to allow for a more effective cut and a proper discharge of the clippings. For a healthy lawn, always cut off one-third or less from the total length of the grass. The average lawn should be approximately 1.5 to 2 in. (3.8 cm to 5 cm) long during cool months, and more than 2 in. (5 cm) long during hot months. If there is growth, the lawn should be cut in the fall.



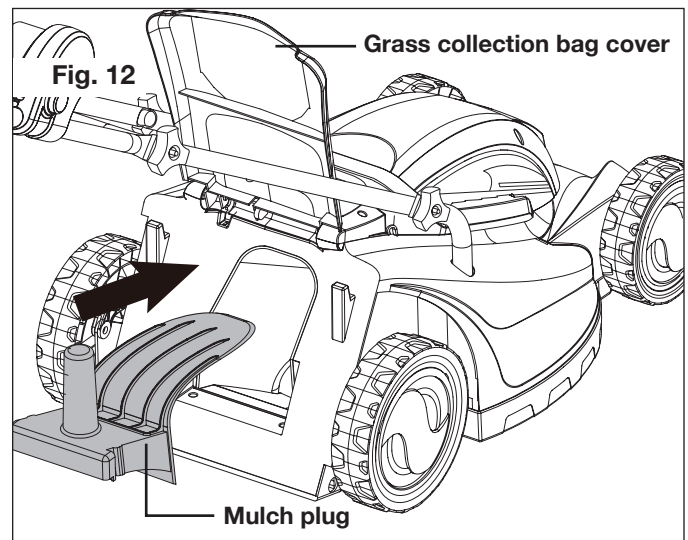
- While mowing, make sure that the electric cable is always behind you and resting on the area of grass already cut.
- The lawn will look better if it is always cut to the same height and in alternate directions.
- When crossing any graveled area, release the switch bar lever to turn off the mower. The stones can be picked up and thrown by the rotating blade.
- Set the mower to the highest cutting height when mowing on uneven ground or in tall weeds.

**⚠WARNING!** If you strike a foreign object, stop the motor and disconnect the power cord. Thoroughly inspect the mower for any damage. Repair any damage before operating the mower.

### Mulching Tips

**⚠WARNING!** Inspect the area prior to mowing/mulching and remove all the stones, sticks, wires, and other debris that might be thrown by the rotating blade.

- The unit is sent in mulching mower mode with the mulch plug being assembled already. If you have used the unit as a lawn mower and want to convert your lawn mower to a mulching mower, lift up the grass collection bag cover and remove the grass collection bag. Insert the mulch plug (Fig. 12) and close the grass collection bag cover.



- For effective mulching, do not cut wet grass because it tends to stick to the underside of the deck, preventing proper mulching of grass clippings. New or thick grass may require a narrower cut. The ground speed should be adjusted to the condition of the lawn. If mowing has been delayed and the grass has been allowed to grow longer than 4 in. (10 cm), mow the lawn twice in order to reduce the grass to the maximum of 3¼ in. (8.3 cm).
- Walk at a steady pace. Overlap the cutting rows. Do not let the grass get too tall. If the grass gets too long, start at the highest cutting position and work down to the desired cutting height.

**⚠WARNING!** If you strike a foreign object, stop the motor and disconnect the power cord. Thoroughly inspect the mower for any damage. Repair any damage before operating the mower.

## Maintenance

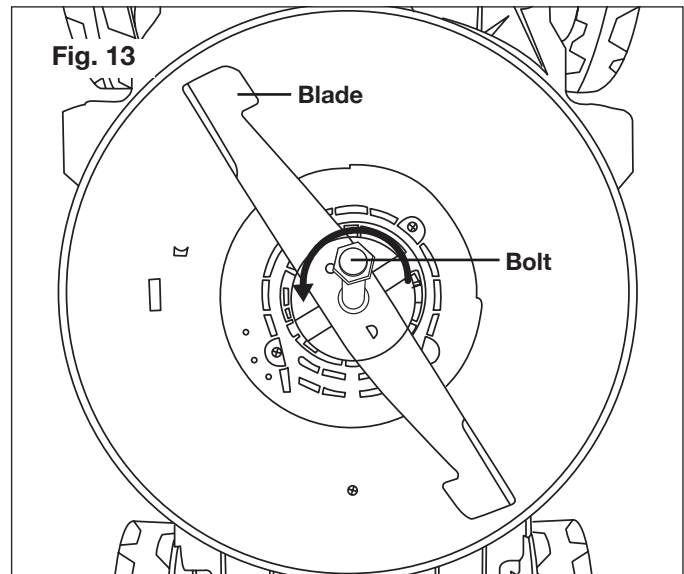
**⚠WARNING!** Before cleaning, repairing, or inspecting the electric lawn mower + mulcher, disconnect the power supply to the unit and verify that all moving parts have come to a complete stop.

1. Do not spray the unit with water. Intake of water may destroy the switch/plug mechanism and the electric motor.
2. Clean the unit with a dry cloth or hand brush. Expert inspection is required:
  - a) if the lawn mower + mulcher strikes an object.
  - b) if the motor stops suddenly.
  - c) if the blade is bent (do not align).
  - d) if the motor shaft is bent (do not align).
  - e) if a short-circuit occurs when the cable is connected.
  - f) if the gears are damaged.
  - g) if the V-belt is defective.

## Replacing and Resharpenering the Mowing Blade

At the end of each mowing season, always sharpen the mowing blade or, if required, replace the mowing blade with a new one. You can purchase a replacement blade (Model MJ403E-32) and other replacement parts online at [sunjoe.com](http://sunjoe.com). Always have the mowing blade resharpened or replaced by an authorized Snow Joe® + Sun Joe® service center.

1. Disconnect the electrical supply to the mower.
2. Turn the mower on its side to expose the underside of the blade housing.
3. Use a cloth to grip the blade or wear heavy-duty gloves.
4. Using an adjustable wrench, remove the bolt securing the mower blade by turning the bolt counterclockwise, then carefully remove the blade (Fig. 13).
5. Fit the new blade and the bolt back on following the same steps in reverse order.

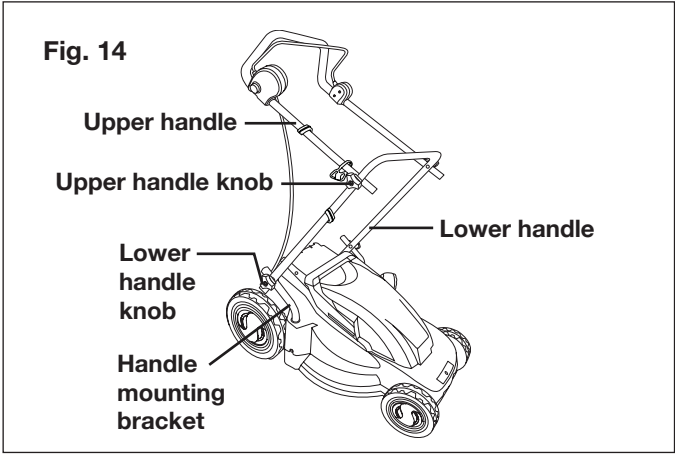


**⚠WARNING!** Unbalanced blades will cause the electric lawn mower + mulcher to vibrate violently and may cause an accident. Please follow proper maintenance procedures or call the Snow Joe® + Sun Joe® customer service center for assistance at 1-866-SNOWJOE (1-866-766-9563).

## Storage

Follow the steps below to prepare the electric lawn mower + mulcher for storage:

- Disconnect the power supply to the unit.
- Clean the unit with a dry cloth or hand brush.
- Inspect the mowing blade and replace/sharpen if it shows signs of wear. Refer to the maintenance section.
- Store the unit indoors in a dry, clean, and cool area out of the reach of children. Do not store the unit next to corrosive materials, such as fertilizer and rock salt.
- Wipe the extension cord to remove any foreign substances, such as oil or stains. Replace the extension cord immediately if it is cut or damaged in any way.
- Wind the cord in a series of equal loops to prevent it from tangling.
- Do not cover the electric lawn mower + mulcher with a solid plastic sheet. Plastic coverings trap moisture around the unit, which can corrode the unit.
- The handle can be completely folded for compact storage of your electric lawn mower + mulcher. Start by loosening the handle knobs on each side of the upper handle and fold down the upper handle (Fig. 14).
- Next, loosen the handle knobs on each side of the lower handle. Pull outwards on each side of the lower handle and lift the sides of the lower handle past the edges of the handle mounting brackets. Fold the lower handle forward, making sure not to bend or kink the power cord (Fig. 14).



Faults that cannot be addressed with the aid of this table may be rectified by a company specialist only. Please call the Snow Joe® + Sun Joe® customer service center at 1-866-SNOWJOE (1-866-766-9563).

## Service

**⚠WARNING!** Before cleaning, repairing or inspecting the electric lawn mower + mulcher, disconnect the power supply to the unit and verify that all moving parts have come to a complete stop.

1. When servicing the electric lawn mower + mulcher, use only genuine replacement parts that are available from the manufacturer. In order to obtain replacement parts, visit our website at [sunjoe.com](http://sunjoe.com) or call Snow Joe® + Sun Joe® customer service center at 1-866-SNOWJOE (1-866-766-9563). The use of parts that do not meet the original equipment specifications may lead to improper performance of the unit, may compromise operator safety and will void the manufacturer's warranty.
2. Keep the handles dry, clean, and free of oil and grease.
3. In order to reduce the risk of fire, keep the motor free of grass, leaves, and accumulated debris.
4. Frequently check the motor mounting bolts for proper tightness. Visually inspect the mowing blade for damage (i.e. bent, cracked, or worn).
5. For optimal and safest performance, maintain the mower with care. Keep the mower blade sharp and clean.
 

**NOTE:** The mower blade is sharp and can cause severe personal injury if handled incorrectly. Wrap the blades or wear protective gloves, and use extra caution when servicing.
6. Keep all nuts, bolts, and screws tight to ensure that the equipment is in safe working condition.
7. Never tamper with safety devices. Check them regularly to verify that they are in proper working order.
8. After striking a foreign object, stop the motor and remove the power cord. Thoroughly inspect the mower for any damage. Repair any damage before restarting the mower.
9. Lawn mower components are subject to wear and damage, which can expose moving parts that can be picked up and thrown by the machine. As a safety precaution, frequently check the mower's components and replace those that show signs of wear or damage.
10. When the unit is not in use, store it indoors in a dry, cool, and clean area, out of the reach of children.

## Troubleshooting

Problem	Remedy
Motor does not run	<ul style="list-style-type: none"> <li>• Check mains connection cable and circuit-breaker (fuse).</li> <li>• Start the unit on short grass or in an area that has already been mowed and tilt back.</li> <li>• Clean discharge channel/housing (the mowing blade must rotate freely).</li> <li>• Correct the cutting height.</li> </ul>
Motor power drops	<ul style="list-style-type: none"> <li>• Correct the cutting height.</li> <li>• Clean discharge channel/housing.</li> <li>• Have mowing blade resharpened/replaced (contact an authorized Snow Joe® + Sun Joe® service center).</li> </ul>
Grass catcher is not filled sufficiently	<ul style="list-style-type: none"> <li>• Correct the cutting height.</li> <li>• Allow the lawn to dry.</li> <li>• Have mowing blade resharpened/replaced (contact an authorized Snow Joe® + Sun Joe® service center).</li> <li>• Clean the grille on the grass collection bag.</li> <li>• Clean the discharge channel/housing.</li> </ul>

# Support

If your Sun Joe® MJ403E electric lawn mower + mulcher requires service or maintenance, please call the Snow Joe® + Sun Joe® customer service center at 1-866-SNOWJOE (1-866-766-9563).

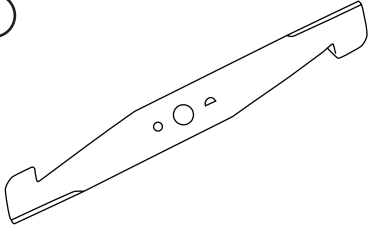
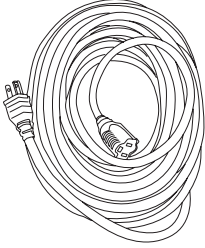
## Model and Serial Numbers

When contacting the company, reordering parts or arranging service from an authorized dealer, you will need to provide the model and serial numbers, which can be found on the decal located on the housing of the unit. Copy these numbers into the space provided below.

<b>Record the following numbers from the housing or handle of your new product:</b>	
Model #:	
M   J   4   0   3   E	
Serial #:	

# Accessories

**⚠️ WARNING!** ALWAYS use only authorized Snow Joe® + Sun Joe® replacement parts and accessories. NEVER use replacement parts or accessories that are not intended for use with this electric lawn mower + mulcher. Contact Snow Joe® + Sun Joe® if you are unsure whether it is safe to use a particular replacement part or accessory with your electric lawn mower + mulcher. The use of any other attachment or accessory can be dangerous and could cause injury or mechanical damage.

Accessories	Item	Model
<p>①</p> 	<p>17-inch (43 cm) mower blade</p>	<p>MJ403E-32</p>
<p>②</p> 	<p>Snow Joe® + Sun Joe® Power Joe SJTW-A 14-gauge 50-foot extension cord with lighted end</p>	<p>PJEXT50-B</p>

**NOTE:** Accessories are subject to change without any obligation on the part of Snow Joe® + Sun Joe® to provide notice of such changes. Accessories can be ordered online at [sunjoe.com](http://sunjoe.com) or via phone by contacting the Snow Joe® + Sun Joe® customer service center at 1-866-SNOWJOE (1-866-766-9563).



## SNOW JOE® + SUN JOE® CUSTOMER PROMISE

**ABOVE ALL ELSE**, Snow Joe, LLC (“Snow Joe”) is dedicated to you, our customer. We strive to make your experience as pleasant as possible. Unfortunately, there are times when a Snow Joe®, Sun Joe®, or Aqua Joe® product (“Product”) does not work or breaks under normal operating conditions. We think it’s important that you know what you can expect from us. That’s why we have a Limited Warranty (“Warranty”) for our Products.

---

### **OUR WARRANTY:**

Snow Joe warrants new, genuine, powered and non-powered Products to be free from defects in material or workmanship when used for ordinary household use for a period of two years from the date of purchase by the original, end-user purchaser when purchased from Snow Joe or from one of Snow Joe’s authorized sellers with proof of purchase. Because Snow Joe is unable to control the quality of its Products sold by unauthorized sellers, unless otherwise prohibited by law, this Warranty does not cover Products purchased from unauthorized sellers. If your Product does not work or there’s an issue with a specific part that is covered by the terms of this Warranty, Snow Joe will elect to either (1) send you a free replacement part, (2) replace the Product with a new or comparable product at no charge, or (3) repair the Product. How cool is that!

**This Warranty gives you specific legal rights, and you may also have other rights which vary from State to State.**

### **PRODUCT REGISTRATION:**

Snow Joe strongly encourages you to register your Product. You can register online at [snowjoe.com/register](https://snowjoe.com/register), or by printing and mailing in a registration card available online from our website, or calling our Customer Service Department at **1-866-SNOWJOE (1-866-766-9563)**, or by e-mailing us at [help@snowjoe.com](mailto:help@snowjoe.com). Failure to register your Product will not diminish your warranty rights. However, registering your Product will allow Snow Joe to better serve you with any of your customer service needs.

### **WHO CAN SEEK LIMITED WARRANTY COVERAGE:**

This Warranty is extended by Snow Joe to the original purchaser and original owner of the Product.

### **WHAT IS NOT COVERED?**

This Warranty does not apply if the Product has been used commercially or for non-household or rental applications. This Warranty also does not apply if the Product was purchased from an unauthorized seller. This Warranty also does not cover cosmetic changes that do not affect performance. Wearing parts like belts, augers, chains and tines are not covered under this Warranty, and can be purchased at [snowjoe.com](https://snowjoe.com) or by calling **1-866-SNOWJOE (1-866-766-9563)**.







MANUAL DEL OPERADOR

SP

# PODADORA DE CÉSPED + TRITURADORA ELÉCTRICA

43 CM | 13 A

Una división de Snow Joe®, LLC

Modelo MJ403E

Forma No. SJ-MJ403E-880S-MR6

## ¡IMPORTANTE!

### Instrucciones de seguridad

### Todos los operadores deberán leer estas instrucciones antes del uso

Siga siempre estas normas de seguridad. No hacerlo podría resultar en lesiones corporales severas o incluso la muerte.

### ¡ADVERTENCIAS generales de seguridad!

Debe tomar precauciones básicas de seguridad siempre que use esta podadora de césped + trituradora eléctrica para reducir el riesgo de incendio, choque eléctrico y daños personales. Estas precauciones incluyen:

**⚠ ¡ADVERTENCIA!** No la opere sin todo el receptor de césped, protector contra descargas, protector posterior u otro dispositivo protector de seguridad instalado apropiadamente y funcionando apropiadamente.

**⚠ ¡ADVERTENCIA!** El uso de cualquier otro accesorio o acoplamiento podría aumentar el riesgo de lesiones.

**⚠ ¡ADVERTENCIA!** Para reducir el riesgo de lesiones, inspeccione frecuentemente el ensamblado colector y reemplácelo con las partes recomendadas si es que presenta signos de desgaste o deterioro.

Antes de usar la podadora de césped + trituradora eléctrica, tómese el tiempo para familiarizarse con los controles, sobre todo con la manera de detener la unidad en caso de emergencia. Las únicas personas que deben usar la unidad son aquellas que tengan un entendimiento completo de las instrucciones y sepan cómo operar la máquina. Los niños nunca deben tener acceso a esta podadora de césped + trituradora eléctrica.

Conserve este manual para futuras referencias. Vuélvalo a leer al inicio de cada temporada de podado.

**⚠ ¡ADVERTENCIA!** El contacto con las partes móviles puede causar enredos, pérdida de miembros u otras lesiones corporales severas. Mantenga siempre las partes del cuerpo (p. ej., manos y pies) a una distancia segura de las partes móviles. Asegúrese de que todas las cubiertas y protectores estén instalados correctamente antes del uso.

Las superficies calientes (es decir, el motor) pueden encender objetos inflamables o combustibles y causar un incendio o explosión, que puede resultar en lesiones corporales severas. Mantenga la podadora de césped + trituradora eléctrica a una distancia segura, lejos de objetos inflamables o combustibles, hasta que las superficies que estén calientes se hayan enfriado por completo. No almacene la unidad cerca de objetos inflamables o combustibles.

Una cuchilla dañada o tuerca de cuchilla gastada puede desprenderse del ensamblado de la podadora de césped + trituradora eléctrica y causar una lesión severa. Reemplace la cuchilla dañada o tuerca gastada antes de usar la unidad.

- 1. Evite las condiciones peligrosas:** no use la podadora de césped + trituradora eléctrica bajo la lluvia o cuando el césped esté húmedo o mojado.
- 2. Mantenga alejados a los niños, espectadores y mascotas:** téngalos siempre a una distancia segura de la unidad mientras está en funcionamiento y mientras se esté enfriando.
- 3. Vístase apropiadamente:** utilice siempre equipos de protección personal (p. ej., gafas, guantes de hule, calzado protector y máscara anti-polvo) y una vestimenta adecuada al usar la unidad. Las vestimentas holgadas, cabello largo o joyería pueden engancharse en las partes móviles.
- 4. Use el artefacto correcto:** no use la podadora de césped + trituradora eléctrica para cualquier otra aplicación que no sea una de aquellas para las cuales fue diseñada.
- 5. No fuerce la podadora de césped + trituradora eléctrica:** tendrá un mejor funcionamiento con menos probabilidades de lesiones personales o fallas mecánicas si es usada a la velocidad para la cual fue diseñada.
- 6. No se sobreextienda:** mantenga con sus pies balance y posición adecuados todo el tiempo.
- 7. Manténgase alerta:** esté siempre alerta y vea lo que está haciendo. Utilice su sentido común. No opere la podadora de césped + trituradora eléctrica si usted está cansado o bajo la influencia del alcohol u otras drogas.
- 8. Desconecte la podadora de césped + trituradora eléctrica:** desconecte la unidad de la fuente de alimentación cuando no esté siendo usada, antes de repararla, al cambiar accesorios y al realizar cualquier otra tarea de mantenimiento en ésta.

**9. Guarde la podadora de césped + trituradora eléctrica inactiva bajo techo:** cuando no esté siendo usada, la unidad debe guardarse bajo techo, en un lugar seco, bajo llave y lejos del alcance de los niños.

**10. Cuide su podadora de césped + trituradora eléctrica:** Mantenga las cuchillas afiladas y limpias para un mejor y más seguro funcionamiento.

Inspeccione periódicamente el cable de alimentación. De encontrar daños en éste, hágalo reparar en un centro de servicio autorizado. Los cables de extensión deben también ser inspeccionados de forma periódica y reemplazados inmediatamente si están dañados. Mantenga los mangos secos, limpios y sin aceite o grasa.

## Seguridad eléctrica

1. Un interruptor de circuito de falla de conexión a tierra (GFCI) deberá proteger al(a los) circuito(s) o tomacorriente(s) a ser utilizado(s) para la unidad. Hay receptáculos disponibles con protección incorporada GFCI y pueden ser utilizados para esta medida de seguridad.
2. Asegúrese de que el voltaje de red corresponde al que aparece en la etiqueta del producto. El uso de un voltaje incorrecto puede dañar el motor y lesionar al usuario.
3. Para reducir el riesgo de un choque eléctrico, este artefacto posee un enchufe polarizado (es decir una pata es más ancha que la otra). Use este artefacto solo con un cable de extensión polarizado aprobado por UL, CSA o ETL y recomendado para uso en exteriores y todo tipo de clima, tal como el cable de extensión de 50 pies (15 m) y calibre 14 Power Joe SJTW-A de Snow Joe® + Sun Joe® con extremo iluminado (modelo PJEXT50-B). Visite [sunjoe.com](http://sunjoe.com) para comprar este cable de extensión, o pídalo llamando por teléfono al 1-866-SNOWJOE (1-866-766-9563).

El enchufe del artefacto encajará en el receptáculo del cable de extensión polarizado de una sola manera. Si el enchufe del artefacto no entra por completo dentro del receptáculo del cable de extensión, invierta las clavijas del enchufe. Si el enchufe aún no encaja, obtenga un cable de extensión polarizado correcto. Un cable de extensión polarizado requerirá el uso de un tomacorriente polarizado. El enchufe del cable de extensión encajará en el tomacorriente polarizado de la pared solo de una forma. Si el enchufe no entra por completo dentro del tomacorriente de la pared, invierta las clavijas del enchufe. Si el enchufe aún no encaja, contacte a un electricista calificado para la instalación del tomacorriente de pared apropiado. No modifique el enchufe del artefacto, ni el receptáculo del cable de extensión, ni el enchufe del cable de extensión en forma alguna.

4. Para evitar un choque eléctrico, use solo cables de extensión adecuados para uso en exteriores, tales como SW-A, SOW-A, STW-A, STOW-A, SJW-A, SJOW-A, SJTW-A ó SJTOW-A.

Antes del uso, verifique que el cable de extensión esté en buenas condiciones. Al usar un cable de extensión, asegúrese de que sea lo suficientemente fuerte para poder transportar toda la electricidad que su equipo consumirá. Un cable de extensión demasiado fino causará una caída de tensión en la línea produciendo pérdida de potencia y recalentamiento.



## ADVERTENCIA



**Un choque eléctrico puede causar DAÑOS SEVEROS o MUERTE. Tenga en cuenta estas advertencias:**

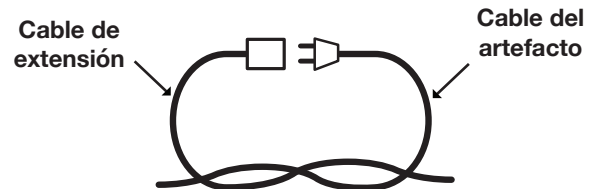
- No deje que ninguna parte de la podadora de césped + trituradora haga contacto con el agua mientras está funcionando. Si el artefacto se moja mientras está apagado, séquelo antes de encenderlo.
- Use solo un cable de extensión aprobado por UL, CSA o ETL y recomendado para uso en exteriores y todo tipo de clima, tal como el cable de extensión de 50 pies y calibre 14 Power Joe SJTW-A de Snow Joe® + Sun Joe® con extremo iluminado (modelo PJEXT50-B). Visite [sunjoe.com](http://sunjoe.com) para comprar este cable de extensión, o pídalo llamando al 1-866-SNOWJOE (1-866-766-9563).
- No use un cable de extensión de más de 100 pies (30 m).
- No toque el artefacto o su enchufe con las manos húmedas, o mientras esté parado sobre agua. Usar botas de hule le dará algo de protección.

**TABLA DE CABLES DE EXTENSIÓN**

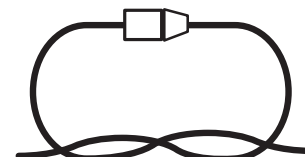
Longitud de cable de extensión	Hasta 50 pies (15 m)	+50 pies - 100 pies (+15 m - 30 m)
Calibre de alambre mínimo (AWG):	14	12

5. Para evitar que el cable del artefacto se desconecte del cable de extensión al usarlo haga un nudo con los dos cables tal como se muestra en la Tabla 1.

**Tabla 1. Método para asegurar el cable de extensión**




**(A) Ate el cable como se indica**



**(B) Conecte el enchufe y el receptáculo**

- 6. No maltrate el cable. Nunca jale la podadora de césped + trituradora eléctrica por su cable ni tire de éste para desconectarla del enchufe. Mantenga el cable alejado del calor, aceite y bordes filosos.

## Artefactos de doble aislamiento

En un artefacto de doble aislamiento, se proporcionan dos sistemas de aislamiento en lugar de una conexión a tierra. Un artefacto de doble aislamiento no posee conexión a tierra, y no se le debe agregar ninguna. La reparación de un artefacto de doble aislamiento requiere sumo cuidado y conocimiento del sistema, y solo debe ser realizada por personal técnico calificado en un centro de servicio autorizado por Snow Joe® + Sun Joe®. Las partes de reemplazo de un artefacto de doble aislamiento deben ser idénticas a las partes originales. Un artefacto de doble aislamiento está marcado con las frases “Double Insulation” (“doblemente aislado”) o “Double Insulated” (“aislamiento doble”). El símbolo  (un cuadrado dentro de otro) puede también estar marcado en el artefacto.



**DOBLE AISLAMIENTO: PUESTA A TIERRA NO REQUERIDA. AL REPARAR, USE SOLO PARTES DE REPUESTO IDÉNTICAS.**

Esta podadora de césped + trituradora eléctrica tiene doble aislamiento y elimina la necesidad de un sistema aparte de conexión a tierra. Use solo partes de repuesto idénticas. Lea las instrucciones antes de reparar artefactos de doble aislamiento. Use esta podadora de césped + trituradora eléctrica solo como se describe en este manual.

## ¡IMPORTANTE! Instrucciones de seguridad para podadoras de rodadura

### Operación general

- Lea, entienda y obedezca todas las instrucciones en la máquina y en el(los) manual(es) antes de empezar.
- No ponga sus manos o pies cerca o debajo de la máquina. Manténgase siempre alejado de la abertura de descarga.
- Mantenga los protectores en su lugar y funcionando apropiadamente.
- Solo adultos responsables familiarizados con las instrucciones deberán estar autorizados a operar esta máquina.
- Retire del área a ser podada objetos extraños como rocas, alambres, juguetes y otros artículos misceláneos, que puedan ser recogidos y arrojados por las cuchillas. Manténgase detrás del mango cuando el motor esté funcionando.
- Asegúrese de que el área de podado esté libre de espectadores o transeúntes antes de encender la máquina. Detenga la máquina si alguien entra al área.
- No opere la máquina descalzo o usando sandalias. Use siempre calzado protector.
- Siempre mire hacia abajo y hacia atrás antes y durante el movimiento en reversa de la podadora.
- Nunca arroje material directamente hacia nadie. Evite arrojar material contra paredes u otras obstrucciones.
- No opere la máquina sin todo el receptor de césped, protector contra descargas, protector posterior u otro dispositivo protector de seguridad en su lugar y funcionando apropiadamente.
- Nunca deje una máquina encendida sin atender.
- Detenga el motor y espere a que las cuchillas se detengan por completo antes de limpiar la máquina, retirar el receptor de césped o desobstruir el protector contra descargas.
- Opere la máquina solo bajo luz diurna o luz artificial apropiada.
- No opere la máquina si usted está cansado o bajo la influencia del alcohol o las drogas.
- Nunca opere la podadora sobre césped mojado. Siempre esté atento a dónde esté pisando. Camine con la podadora, nunca corra con ésta.
- Si la máquina empieza a vibrar de manera anormal, detenga el motor e inmediatamente verifique la máquina para determinar la causa. Las vibraciones generalmente son señales de problemas.
- Mantenga las cuchillas afiladas.
- Mantenga las manos y pies lejos del área de corte.
- Utilice siempre protección ocular al operar la máquina.
- Los objetos arrojados por la cuchilla de la podadora pueden causar lesiones graves. Siempre se debe examinar cuidadosamente el área a podarse y retirar todos los objetos antes del podado.
- Si la podadora golpea un objeto extraño, siga estas instrucciones:
  - i) detenga la podadora soltando la palanca interruptora;
  - ii) desenchufe el cable de alimentación;
  - iii) inspeccione la unidad en busca de daños; y
  - iv) repare cualquier daño antes de volver a encender la podadora.
- Use solo cuchillas de repuesto idénticas.

## Operación en pendientes

Las pendientes son factores importantes relacionados a accidentes de resbalones y caídas, los cuales pueden resultar en lesiones severas. La operación en todas las pendientes requiere mucho cuidado. Si no se siente seguro en una pendiente, no la pade.

- Pade el césped de forma lateral en la pendiente. Nunca pade pendientes siguiendo una ruta transversal de arriba a abajo. Tenga mucho cuidado al cambiar de dirección en una pendiente.
- Esté atento a los hoyos, surcos, baches, rocas u otros objetos ocultos. Éstos pueden causar un inesperado resbalón o caída.
- No pade sobre césped mojado o pendientes demasiado inclinadas. Una mala postura puede causar un accidente de resbalo y caída.
- No pade cerca de laderas, zanjas o terraplenes. Usted puede perder el equilibrio.

## Niños

Pueden ocurrir accidentes trágicos si el operador no está alerta de la presencia de niños. Los niños son generalmente atraídos a la máquina y a la actividad de podar. Nunca asuma que los niños permanecerán en donde usted los vio por última vez.

- Mantenga a los niños lejos del área de poda y bajo la estricta vigilancia de un adulto responsable que no sea el operador.
- Esté siempre atento y apague la máquina si un niño entra en el área.
- Nunca permita que los niños operen la máquina.
- Tenga especial cuidado al acercarse a esquinas ciegas, arbustos, árboles u otros objetos que puedan obstaculizar la visualización de un niño.








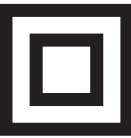
## Servicio

- Mantenga ajustados todos los pernos y tuercas.
- Nunca manipule los dispositivos de seguridad. Inspecciónelos regularmente para asegurarse de que estén correctamente instalados y funcionando apropiadamente.
- Mantenga la podadora libre de césped, hojas y otra acumulación de residuos.
- Si golpea un objeto extraño, deténgase e inspeccione la máquina. Repárela, de ser necesario, antes de empezar.

- Nunca efectúe ningún ajuste o reparación con el motor encendido. Desenchufe siempre la podadora antes de ajustarla, limpiarla o repararla.
- Verifique los componentes del receptor de césped y protector de descargas frecuentemente, y reemplácelos con partes recomendadas por el fabricante cuando sea necesario.
- Las cuchillas de la podadora están afiladas. Envuelva la cuchilla o use guantes. Tenga especial cuidado al reparar las cuchillas.
- Mantenga o reemplace las etiquetas de seguridad y de instrucción, de ser necesario.

# Símbolos de seguridad

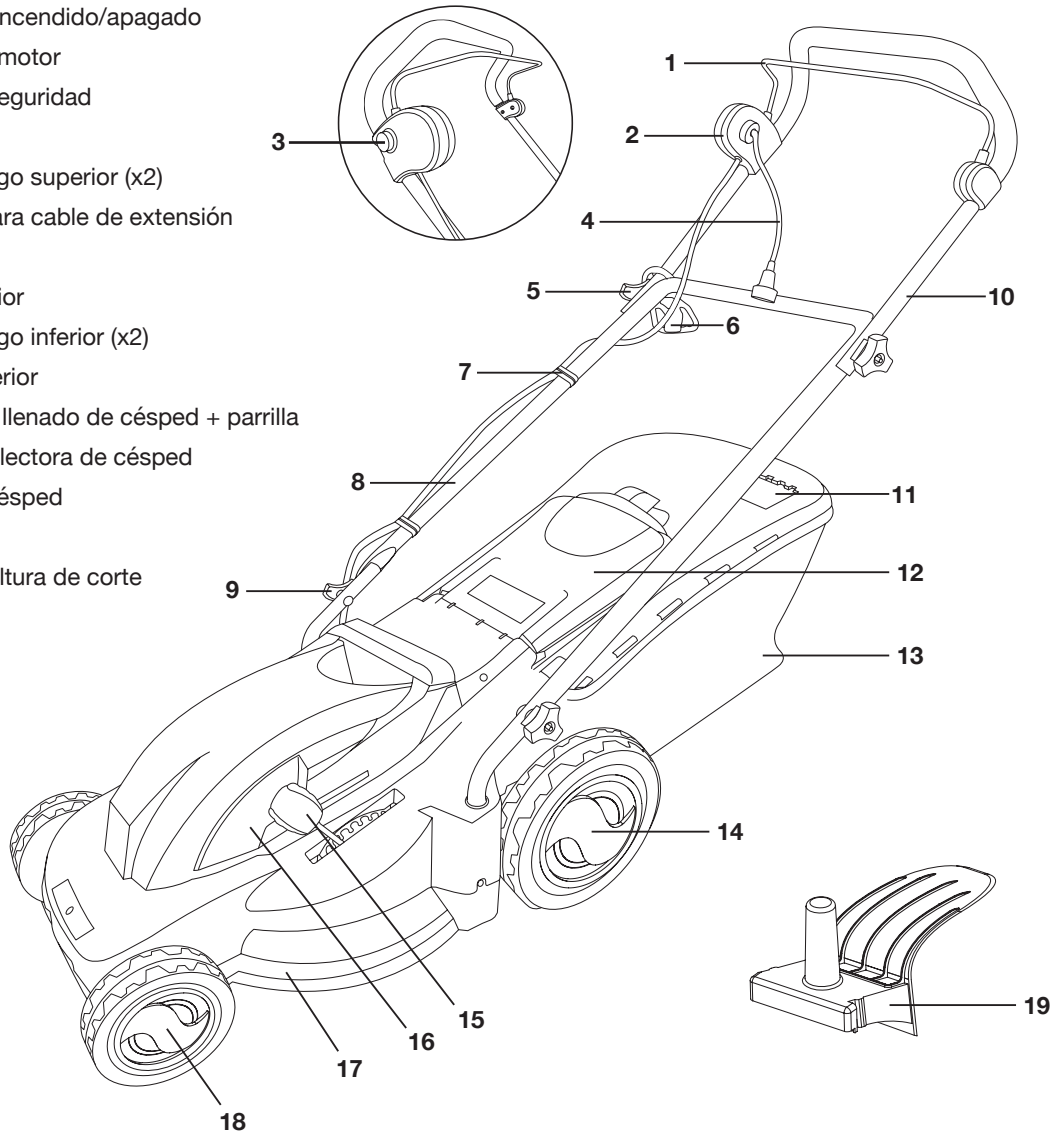
La siguiente tabla muestra y describe los símbolos de seguridad que pueden aparecer en este producto. Lea, comprenda y siga todas las instrucciones relacionadas a la unidad antes de intentar ensamblarla y operarla.

Símbolo	Descripción	Símbolo	Descripción
	Etiqueta de peligro CPSC.		Mantenga a los transeúntes y niños alejados a una distancia segura.
	Alerta de seguridad. Precaución.  Para reducir el riesgo de lesiones, el usuario debe leer el manual de instrucciones.		Use protección para sus ojos y oídos. Para evitar lesiones, use protectores para los oídos y gafas de seguridad.
	Peligro de resbalo en pendientes: tenga sumo cuidado al podar en pendientes para evitar resbalar y caer.		Amputación de dedos de pies o manos por la cuchilla giratoria de la podadora + trituradora.
	Los objetos arrojados y la cuchilla giratoria pueden causar lesiones severas.		Doble aislamiento.

# Conozca su podadora de césped + trituradora eléctrica

Lea detenidamente el manual del propietario y las instrucciones de seguridad antes de operar la podadora de césped + trituradora eléctrica. Compare la ilustración debajo con la podadora de césped + trituradora eléctrica para familiarizarse con la ubicación de los diversos controles y ajustes. Conserve este manual para futuras referencias.

1. Barra interruptora de encendido/apagado
2. Caja de interruptor de motor
3. Botón de trabado de seguridad
4. Cable del artefacto
5. Perilla y perno de mango superior (x2)
6. Gancho de sujeción para cable de extensión
7. Gancho de cable (x2)
8. Marco del mango inferior
9. Perilla y perno de mango inferior (x2)
10. Marco del mango superior
11. Ventana indicadora de llenado de césped + parrilla
12. Cubierta de bolsa recolectora de césped
13. Bolsa recolectora de césped
14. Rueda trasera (x2)
15. Palanca de ajuste de altura de corte
16. Ventilación
17. Chasis
18. Rueda frontal (x2)
19. Enchufe de mantillo



## Datos técnicos

Motor .....	13 A	Capacidad de bolsa recolectora .....	12 gal (45 L)
Voltaje nominal .....	120 V ~ 60 Hz	Altura de corte .....	0.98 in a 2.87 in (25 mm a 73 mm)
Velocidad sin carga .....	3,500 rpm	Tamaño de ruedas .....	Frontal: 6.5 in (16.5 cm) Posterior: 10 in (25.4 cm)
Rotor .....	Cuchilla de acero de 17 in (43 cm)	Peso neto .....	31.5 lb (14.3 kg)
Ancho de corte .....	17 in (43 cm)		

# Desembalaje

## Contenido del paquete

- Cuerpo de la podadora de césped + trituradora eléctrica
- Marco del mango superior
- Marco del mango inferior
- Bolsa recolectora de césped
- Enchufe de mantillo (preinstalado en el cuerpo de la máquina)
- Perilla y perno de mango superior (x2)
- Perilla y perno de mango inferior (x2)
- Gancho de cable (x2)
- Mango de bolsa recolectora de césped
- Manual y tarjeta de registro

1. Retire cuidadosamente la podadora de césped + trituradora eléctrica y compruebe que todos los artículos anteriores estén suministrados.
2. Inspeccione cuidadosamente el producto para asegurarse de que no haya ocurrido ningún daño o ruptura durante el transporte. Si alguna parte está dañada o extraviada, NO DEVUELVA la unidad a la tienda. Comuníquese con la central de servicio al cliente Snow Joe® + Sun Joe® llamando al 1-866-SNOWJOE (1-866-766-9563).

**NOTA:** no se deshaga de la caja de transporte ni del material de embalaje hasta que usted esté listo para usar su podadora de césped + trituradora eléctrica. El empaquetado está hecho de materiales reciclables. Deseche estos materiales en conformidad a los reglamentos locales.

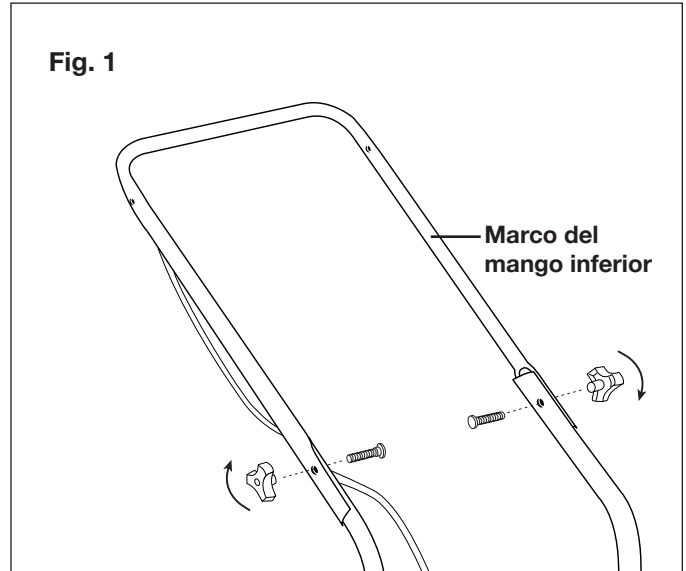
**¡IMPORTANTE!** El equipo y los materiales de embalaje no son juguetes. No deje que los niños jueguen con bolsas plásticas, láminas o partes pequeñas. ¡Estos objetos pueden ser tragados y representan un riesgo de asfixia!

## Ensamblado

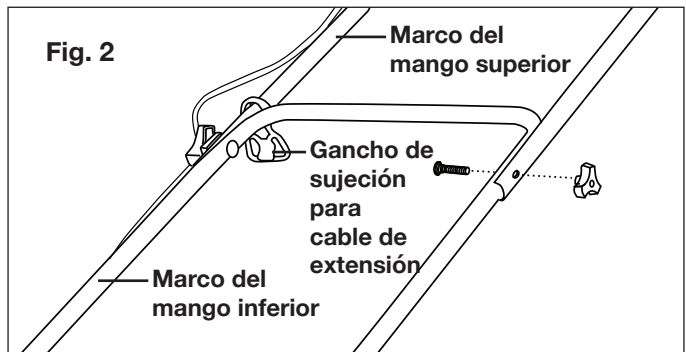
Siga cuidadosamente las siguientes instrucciones para ensamblar su podadora de césped + trituradora eléctrica Sun Joe®. Si tiene preguntas durante el ensamblado, comuníquese con la central de servicio al cliente Snow Joe® + Sun Joe® llamando al 1-866-SNOWJOE (1-866-766-9563).

### Conexión de los marcos de mango superior e inferior

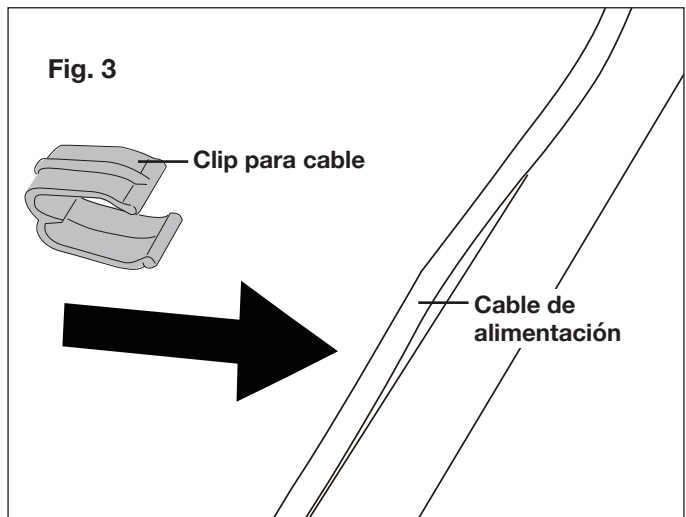
1. Asegure el marco del mango inferior a la máquina usando las perillas y pernos del mango inferior. Ajuste las perillas en cada lado para garantizar un ajuste seguro (Fig. 1).



2. Deslice el gancho de restricción para cable de extensión sobre el marco de mango superior, luego conecte el marco de mango superior al marco de mango inferior usando los pernos y perillas del mango inferior. Ajuste las perillas en cada lado para garantizar un ajuste seguro (Fig. 2).

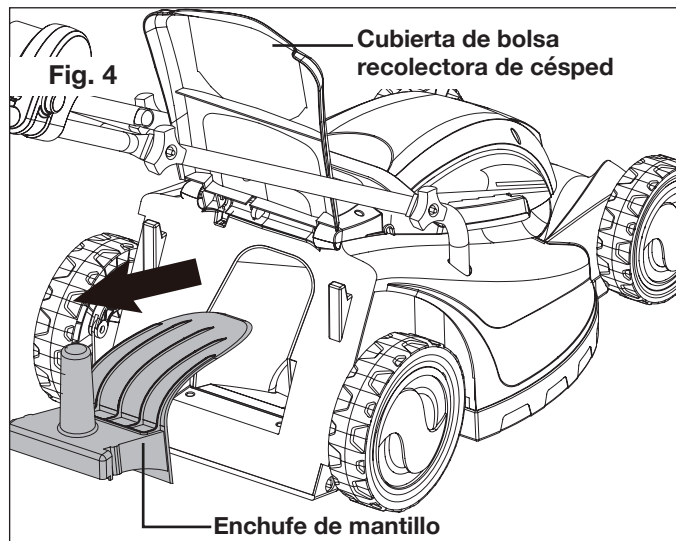


3. Use los clips suministrados para asegurar el cable de alimentación a lo largo del marco del mango inferior (Fig. 3).

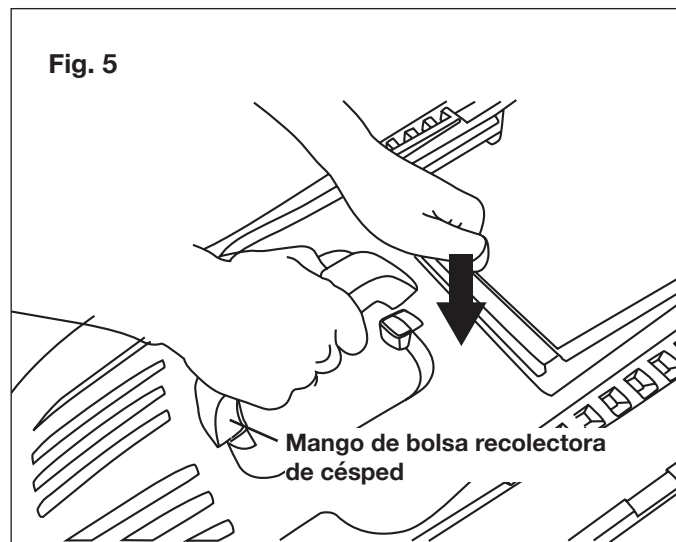


## Colocación de la bolsa recolectora de césped

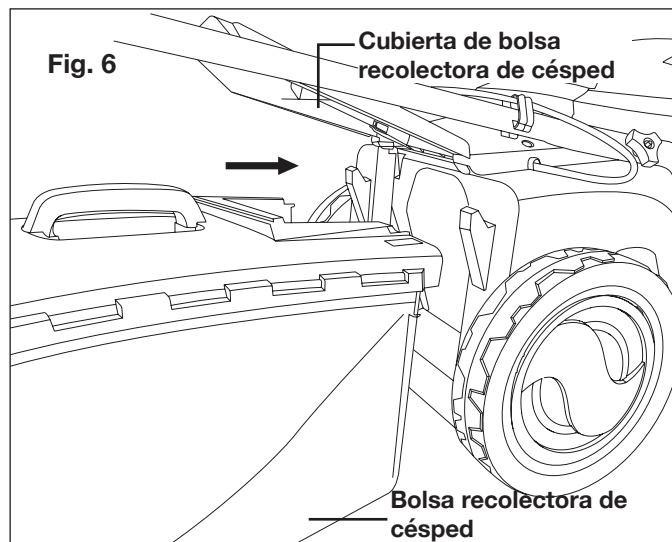
1. Levante la cubierta de la bolsa recolectora de césped y retire el enchufe de mantillo pre-instalado (Fig. 4).



2. Instale el mango de la bolsa recolectora de césped en la bolsa recolectora de césped (Fig. 5).



3. Levante la cubierta de la bolsa recolectora de césped y cuelgue la bolsa recolectora de césped desde los ganchos de montura de la podadora de césped + trituradora eléctrica (Fig. 6).



## Operación

Esta podadora de césped + trituradora eléctrica ha sido diseñada para cortar césped. No use esta herramienta para ninguna otra aplicación excepto para la cual fue diseñada.

Esta podadora de césped + trituradora eléctrica es adecuada para el corte de césped en residencias privadas, en jardines y patios pequeños y medianos. Esta podadora de césped + trituradora eléctrica no está destinada para el corte de césped de parques públicos, campos de juego, granjas o bosques.

**⚠ ¡ADVERTENCIA!** No encienda la unidad hasta que haya sido ensamblada por completo. Antes de encender la unidad, verifique siempre que el cable del artefacto y el de extensión no muestren señales de daños. Solo se debe usar un cable intacto.

**NOTA:** los cables dañados representan un riesgo severo de lesiones. Reemplace los cables de extensión dañados inmediatamente.

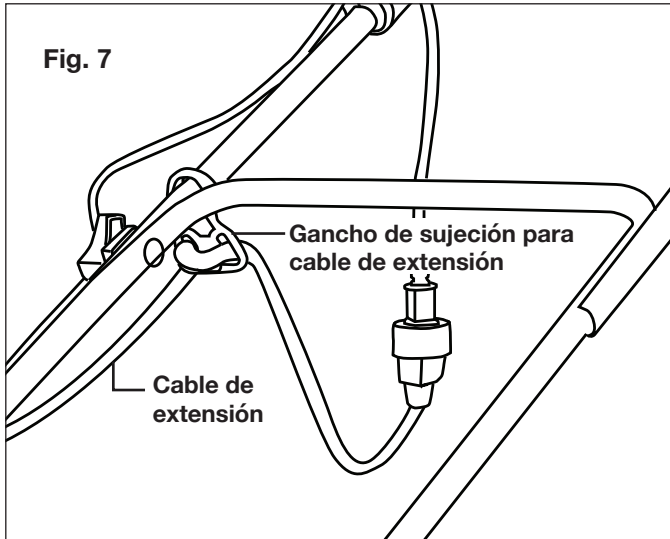
### Usuarios no autorizados:

No están permitidos de operar la unidad individuos que no estén familiarizados con el manual de operaciones, niños, jóvenes menores de 16 años, así como personas bajo la influencia del alcohol, drogas o medicamentos.



## Conexión de alimentación

1. Empuje un bucle del cable de extensión a través de la ranura del gancho de restricción del cable de extensión, desde el lado opuesto del gancho de restricción (Fig. 7). Inserte el cable del artefacto en un cable de extensión adecuado para exteriores (vea la tabla de cables de extensión en la página 2).

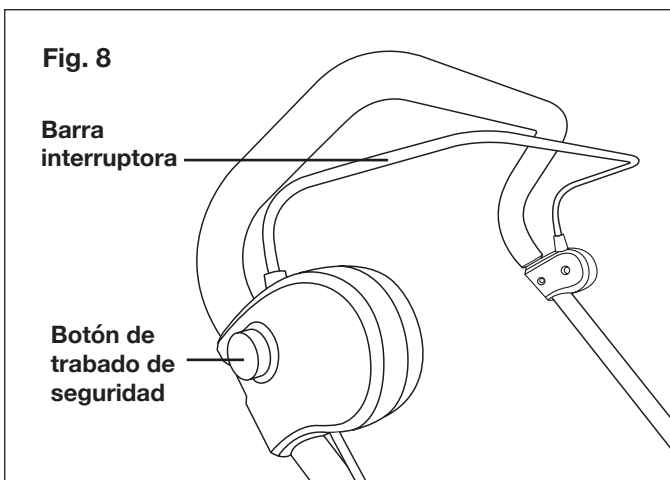


2. Asegure el cable del artefacto al cable de extensión tal como se muestra en la Tabla 1 (página 2).

## Puesta en marcha y parada

**IMPORTANTE:** no encienda la unidad en césped alto.

1. Para encender la podadora de césped + trituradora eléctrica, presione y sujete el botón de trabado de seguridad mientras jala la barra interruptora hacia usted. Una vez que la máquina se encienda, suelte el botón de trabado de seguridad y proceda con la operación (Fig. 8).
2. Para detener la podadora de césped + trituradora eléctrica, suelte la barra interruptora (Fig. 8).

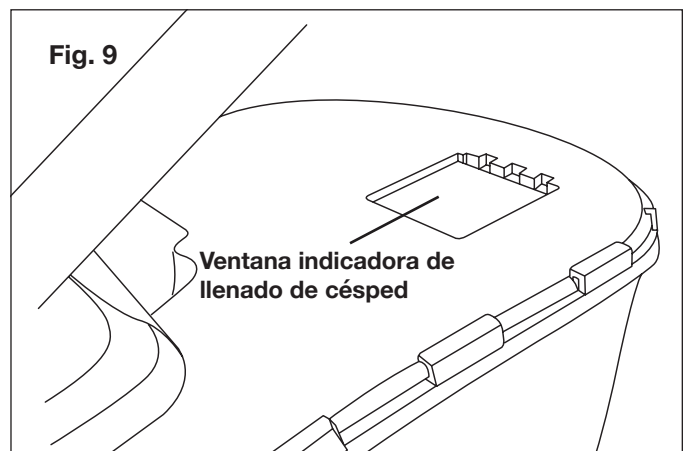


**NOTA:** durante la poda, coloque el cable de conexión de forma segura en el sendero recorrido y en áreas que ya hayan sido podadas.

**⚠ ¡ADVERTENCIA!** Cuando el motor se haya apagado, la cortadora continuará girando por algunos segundos. No toque la parte inferior de la podadora de césped + trituradora eléctrica hasta que la cuchilla cortadora se haya detenido por completo.

## Bolsa recolectora de césped

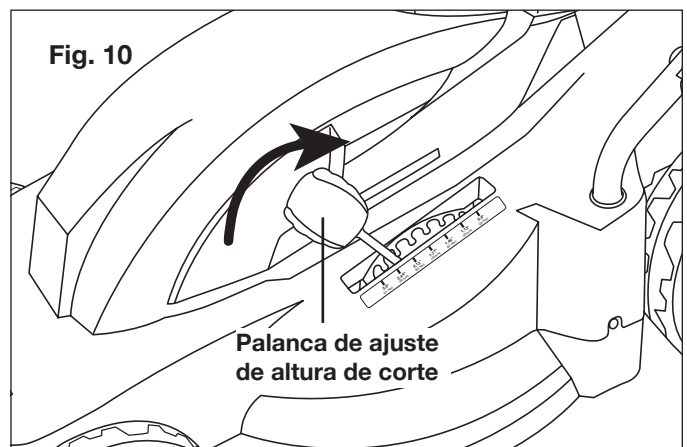
1. Si la bolsa recolectora de césped está vacía o no está completamente llena de césped, la ventana indicadora de llenado de césped se mantendrá abierta (debido al flujo de aire) o fluctuará abriéndose y cerrándose a medida que el césped se acumule en la bolsa (Fig. 9).
2. Cuando la bolsa recolectora alcance su máxima capacidad, la ventana indicadora de llenado de césped se mantendrá cerrada (debido al flujo restringido de aire). Esto indica que es momento de vaciar la bolsa.



## Ajuste de la altura de corte

Esta podadora de césped + trituradora eléctrica está equipada con una palanca de ajuste de altura de siete posiciones para ajustar las alturas de corte de césped desde 0.98 in (25 mm) a 2.87 in (73 mm). Para cambiar la altura de corte del césped, mueva la palanca a su posición deseada (Fig. 10).

1. Empuje la palanca de ajuste de altura de corte hacia fuera del chasis (Fig. 10).
2. Inserte la palanca en la ranura deseada.



### Ajuste de altura de siete posiciones:

- |                    |                    |
|--------------------|--------------------|
| 1. 0.98 in (25 mm) | 5. 2.17 in (55 mm) |
| 2. 1.18 in (30 mm) | 6. 2.56 in (65 mm) |
| 3. 1.5 in (38 mm)  | 7. 2.87 in (73 mm) |
| 4. 1.89 in (48 mm) |                    |

**⚠ ¡ADVERTENCIA!** Antes de realizar cualquier tarea de mantenimiento o limpieza, siempre desconecte la unidad de la fuente de alimentación.

### Consejos para la poda

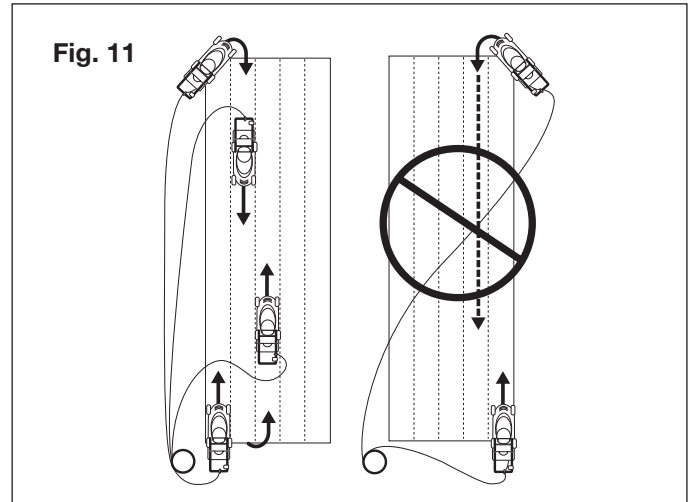
**⚠ ¡ADVERTENCIA!** Inspeccione el área antes del podado y retire todas las piedras, palos, alambres y otros escombros que puedan ser lanzados por la cuchilla giratoria.

**NOTA:** una cuchilla afilada mejorará de manera significativa el rendimiento de la podadora de césped + trituradora eléctrica, especialmente al cortar hojas altas de césped.

- Asegúrese de inspeccionar periódicamente la cuchilla para ver si hay señales de desgaste, y afílela al menos una vez por año, tal como se describe en la sección de mantenimiento.
- Compruebe que el césped esté libre de piedras, ramas, alambres y otros objetos extraños que puedan dañar la cuchilla o el motor.

Estos objetos pueden accidentalmente ser recogidos y lanzados por la podadora de césped + trituradora eléctrica en cualquier dirección, lo que puede causar serias lesiones personales para el operador y los demás.

- Para evitar un choque eléctrico, no opere la podadora de césped + trituradora eléctrica en condiciones húmedas o mojadas.
- No pade en círculos. Desplácese hacia adelante y atrás, a través del césped siguiendo la trayectoria descrita a continuación (Fig. 11).
- Al cortar césped grueso, reduzca su velocidad de caminata para permitir un corte más efectivo y una descarga apropiada del césped cortado. Para un césped saludable, corte siempre un tercio o menos de la longitud total del césped. El césped en promedio deberá tener de 1.5 in a 2 in (3.8 cm a 5 cm) de largo durante los meses fríos, y más de 2 in (5 cm) de largo durante los meses calurosos. Si hay crecimiento, el césped deberá ser cortado en el otoño.



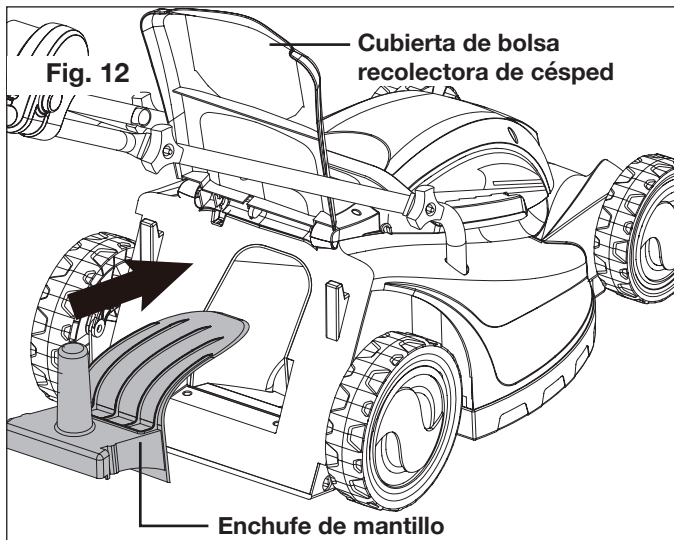
- Al podar, asegúrese de que el cable eléctrico esté siempre detrás de usted y yaciendo sobre el área de césped ya cortado.
- El césped se verá mejor si es siempre cortado a la misma altura y en direcciones alternas.
- Al cruzar cualquier área con grava, suelte la barra interruptora para apagar la podadora de césped + trituradora eléctrica. Las piedras pueden ser recogidas y lanzadas por la cuchilla giratoria.
- Ajuste la podadora de césped + trituradora eléctrica a su altura más alta de corte al podar en terreno disparejo o con maleza alta.

**⚠ ¡ADVERTENCIA!** Si usted golpea un objeto extraño, detenga el motor y desenchufe el cable de alimentación. Inspeccione detenidamente la podadora de césped + trituradora eléctrica para ver que no haya daño alguno. Repare cualquier daño antes de continuar operando la podadora de césped + trituradora eléctrica.

### Consejos para el triturado y mantillo

**⚠ ¡ADVERTENCIA!** Inspeccione el área antes del triturado y retire todas las piedras, palos, alambres y otros escombros que puedan ser lanzados por la cuchilla giratoria.

- La unidad viene en modo de podadora + trituradora, con el enchufe de mantillo ya instalado. Si ha usado la unidad como podadora y desea convertirla en podadora + trituradora, levante la cubierta de la bolsa recolectora de césped y retire la bolsa recolectora de césped. Inserte el enchufe de mantillo (Fig. 12) y cierre la cubierta de la bolsa recolectora.



- Para crear un mantillo eficientemente, no corte césped húmedo ya que tiende a pegarse en el lado inferior de la cubierta, evitando un triturado apropiado del césped cortado. El césped joven o grueso puede requerir un corte más angosto. La velocidad sobre el terreno deberá ser ajustada a la condición del césped. Si se ha retrasado la poda y el césped ha crecido más de 4 in (10 cm), pode dos veces el césped para reducir la altura del césped a un máximo de 3¼ in (8.3 cm).
- Camine a un ritmo moderado. Superponga las filas de corte. No deje que el césped crezca demasiado. Si el césped crece demasiado alto, empiece a cortarlo con la posición más alta de corte y continúe sucesivamente con las posiciones más bajas hasta alcanzar la altura de corte deseada.

**⚠ ¡ADVERTENCIA!** Si usted golpea un objeto extraño, detenga el motor y desenchufe el cable de alimentación. Inspeccione detenidamente la podadora para ver que no haya daño alguno. Repare cualquier daño antes de continuar operando la podadora.

## Mantenimiento

**⚠ ¡ADVERTENCIA!** Antes de la limpieza, reparación o inspección de la podadora, desconecte la fuente de alimentación de la unidad y verifique que todas las partes móviles se hayan detenido por completo.

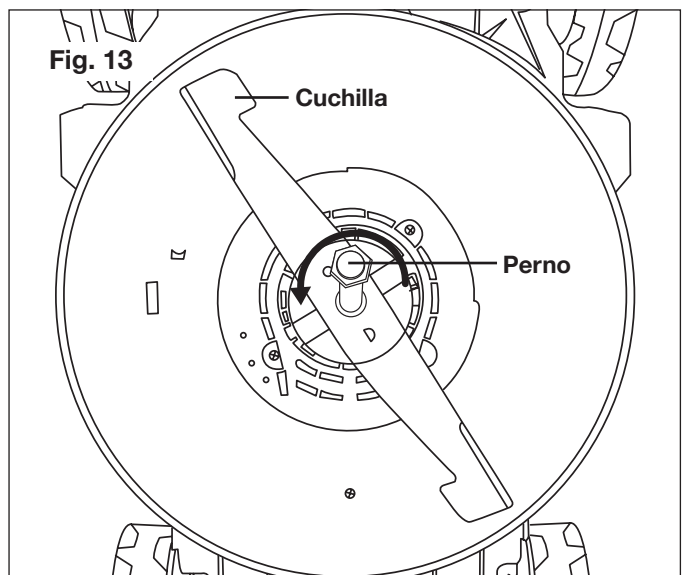
1. No rocíe la unidad con agua. El ingreso de agua puede destruir el mecanismo interruptor/enchufe y el motor eléctrico.
2. Limpie la unidad con un paño seco o cepillo de mano. Se requiere la inspección de un experto:
  - a) si la podadora golpea un objeto;
  - b) si el motor se detiene repentinamente;
  - c) si la cuchilla está doblada (no la alinee);
  - c) si el eje del motor está doblado (no lo alinee);
  - e) si ocurre un cortocircuito cuando el cable está conectado;

- f) si los engranajes están dañados; y
- g) si la correa en "V" está defectuosa.

## Reemplazo y reafilemiento de la cuchilla podadora

Al final de la temporada de poda, siempre vuelva a afilar la cuchilla podadora o, de ser necesario, reemplácela con una nueva. Puede comprar una cuchilla de reemplazo (modelo MJ403E-32) y otras partes de repuesto en [sunjoe.com](http://sunjoe.com). Siempre haga reafilear o reemplace la cuchilla podadora en un centro de servicio Snow Joe® + Sun Joe® autorizado.

1. Desconecte la podadora de la fuente de alimentación.
2. Voltee la podadora sobre uno de sus lados para exponer la parte inferior de la carcasa de la cuchilla.
3. Sujete la cuchilla empleando un paño o guantes de alta resistencia.
4. Usando una llave ajustable, retire el perno que asegura la cuchilla podadora, girando el perno en sentido antihorario, y luego retire la cuchilla (Fig. 13).
5. Coloque la nueva cuchilla y luego coloque el perno.

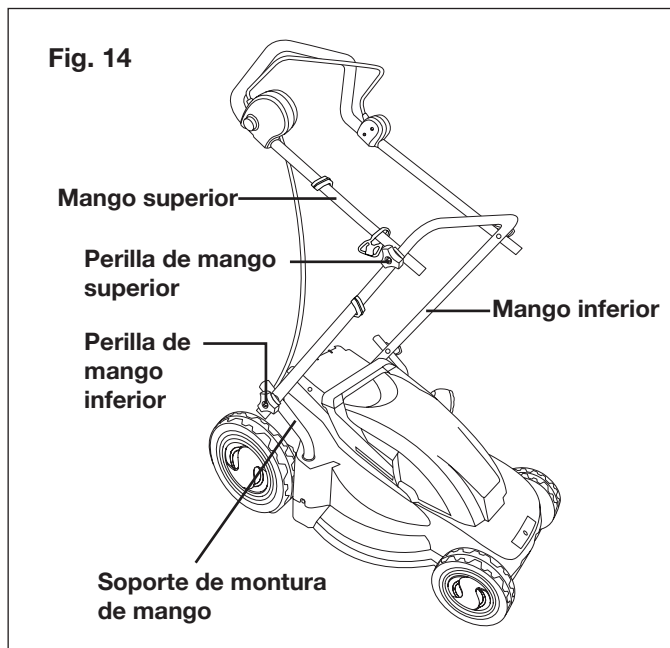


**⚠ ¡ADVERTENCIA!** Las cuchillas desequilibradas causarán que la podadora de césped + trituradora eléctrica vibre violentamente y puede causar un accidente. Siga los procedimientos adecuados de mantenimiento o comuníquese con la central de servicio al cliente Snow Joe® + Sun Joe® al 1-866-SNOWJOE (1-866-766-9563) para asistencia.

## Almacenamiento

Siga los pasos a continuación con el fin de preparar la podadora de césped + trituradora eléctrica para su almacenamiento:

- Desconecte la unidad de la fuente de alimentación.
- Limpie la unidad con un paño seco o cepillo de mano.
- Inspeccione la cuchilla podadora y reemplácela o afílela si muestra señales de desgaste. Consulte la sección de mantenimiento.
- Guarde la unidad en interiores en un área seca, limpia y fría lejos del alcance de los niños. No guarde la unidad cerca de materiales corrosivos tales como fertilizantes y sal de roca.
- Limpie el cable de extensión para quitar cualquier sustancia extraña como aceite o manchas. Reemplace el cable de extensión inmediatamente si es cortado o dañado en cualquier forma.
- Enrolle el cable en una serie de bucles iguales para evitar que se enrede.
- No cubra la podadora eléctrica + trituradora con una cubierta sólida de plástico. Las cubiertas de plástico atrapan humedad alrededor de la unidad, la cual puede corroerse.
- El mango puede ser plegado completamente para un almacenamiento compacto de su podadora de césped + trituradora eléctrica. Empiece aflojando las perillas del mango en cada lado del mango superior y pliegue el mango superior (Fig. 14).
- A continuación, afloje las perillas del mango en cada lado del mango inferior. Jale hacia afuera en cada lado del mango inferior y levante los lados del mango inferior por sobre los bordes de los soportes de montaje de mango. Pliegue el mango inferior hacia adelante, asegurándose de no doblar o torcer el cable de alimentación (Fig. 14).



## Solución de problemas

Problema	Solución
El motor no funciona	<ul style="list-style-type: none"> <li>• Verifique la conexión del cable de alimentación y el fusible.</li> <li>• Arranque la unidad trabajando sobre césped corto o en un área que ya haya sido podada e incline hacia atrás.</li> <li>• Limpie el canal de descarga y la carcasa (la cuchilla podadora debe girar libremente).</li> <li>• Corrija la altura de corte.</li> </ul>
La potencia del motor cae	<ul style="list-style-type: none"> <li>• Corrija la altura de corte.</li> <li>• Limpie el canal de descarga y la carcasa.</li> <li>• Haga afilar o reemplazar la cuchilla podadora (contacte a un centro de servicio autorizado Snow Joe® + Sun Joe®).</li> </ul>
El recolector de césped no se ha llenado suficientemente	<ul style="list-style-type: none"> <li>• Corrija la altura de corte.</li> <li>• Deje que el césped se seque.</li> <li>• Haga afilar o reemplazar la cuchilla podadora (contacte a un centro de servicio autorizado Snow Joe® + Sun Joe®).</li> <li>• Limpie la parrilla en la bolsa recolectora de césped.</li> <li>• Limpie el canal de descarga y la carcasa.</li> </ul>

Las fallas que no puedan ser solucionadas con la ayuda de esta tabla pueden ser corregidas solo por un especialista de la empresa. Comuníquese con la central de servicio al cliente Snow Joe® + Sun Joe® llamando al 1-866-SNOWJOE (1-866-766-9563).

## Servicio

**⚠ ¡ADVERTENCIA!** Antes de la limpieza, reparación o inspección de la podadora de césped + trituradora eléctrica, desconecte la fuente de alimentación de la unidad y verifique que todas las partes móviles se hayan detenido por completo.

1. Al reparar la podadora de césped + trituradora eléctrica, utilice solo partes de repuesto genuinas suministradas por el fabricante. Para obtener partes de repuesto, visite nuestro sitio Web [sunjoe.com](http://sunjoe.com) o comuníquese con la central de servicio al cliente Snow Joe® + Sun Joe® llamando al 1-866-SNOWJOE (1-866-766-9563). El uso de partes que no cumplan con las especificaciones del equipo original puede provocar un funcionamiento incorrecto de la unidad, comprometer la seguridad del operador, e invalidar la garantía del fabricante.
2. Mantenga los mangos secos, limpios y sin aceite o grasa.
3. Para reducir el riesgo de incendios, mantenga el motor libre de césped, hojas y residuos acumulados.
4. Verifique frecuentemente los pernos de montaje para un ajuste apropiado. Inspeccione de forma visual la cuchilla podadora de césped + trituradora eléctrica para ver si hay daños (p. ej., si está doblada, quebrada o gastada).
5. Para un óptimo y más seguro rendimiento de la podadora de césped + trituradora eléctrica, manténgala con mucho cuidado. Mantenga la cuchilla de la podadora afilada y limpia.  
**NOTA:** la cuchilla podadora de césped + trituradora eléctrica es afilada y puede causar severas lesiones personales si es manipulada incorrectamente. Envuelva las cuchillas o use guantes, y tenga especial cuidado al repararlas.
6. Mantenga todos los pernos y tornillos ajustados para asegurar que el equipo esté en condiciones seguras de funcionamiento.
7. Nunca manipule los dispositivos de seguridad. Verifíquelos regularmente para comprobar que estén funcionando correctamente.
8. Luego de golpear un objeto extraño, detenga el motor y desconecte el cable de alimentación. Inspeccione detenidamente la podadora de césped + trituradora eléctrica para ver que no haya daño alguno. Repare cualquier daño antes de volver a arrancar la podadora de césped + trituradora eléctrica.
9. Los componentes de la podadora de césped + trituradora eléctrica están sujetos a desgaste y daños, que pueden exponer partes móviles que pueden lanzadas por la máquina. Como medida de seguridad, inspeccione frecuentemente los componentes de la podadora de césped + trituradora eléctrica y reemplace aquellos que muestren señales de daños o desgaste.
10. Cuando la unidad no esté siendo utilizada, almacénela en interiores, en un lugar seco, frío y limpio, y lejos del alcance de los niños.

## Soporte

Si su podadora de césped + trituradora eléctrica Sun Joe® MJ403E requiere servicio o mantenimiento llame a la central de servicio Snow Joe® + Sun Joe® al 1-866-SNOWJOE (1-866-766-9563).

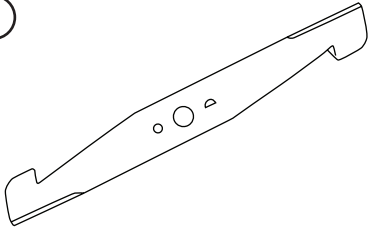
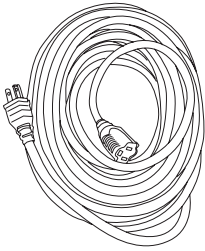
## Modelo y número de serie

Al contactar a la empresa, ordenar partes de repuesto o coordinar una reparación en un centro autorizado, usted necesitará proporcionar el modelo y número de serie, los cuales se encuentran en la etiqueta ubicada en la carcasa de la unidad. Copie estos números en el espacio proporcionado a continuación.

Registre los siguientes números que se encuentran en la carcasa o mango de su nuevo producto:	
N° de modelo:	
M   J   4   0   3   E	
N° de serie:	

# Accesorios

**⚠ ¡ADVERTENCIA!** USE SIEMPRE solo partes de repuesto y accesorios Snow Joe® + Sun Joe®. NUNCA use partes de repuesto o accesorios que no estén destinados para su uso con esta podadora de césped + trituradora eléctrica. Comuníquese con Snow Joe® + Sun Joe® si tiene dudas sobre si es seguro usar una parte de repuesto o accesorio en particular con su podadora de césped + trituradora eléctrica. El uso de cualquier otro accesorio o parte puede ser peligroso y puede causar lesiones personales o daños mecánicos.

Accesorio	Descripción	Modelo
<p>①</p> 	<p>Cuchilla podadora de 17 in (43 cm)</p>	<p>MJ403E-32</p>
<p>②</p> 	<p>Cable de extensión de 50 pies y calibre 14 Snow Joe® + Sun Joe® Power Joe SJTW-A con extremo iluminado</p>	<p>PJEXT50-B</p>

**NOTA:** los accesorios están sujetos a cambios sin obligación alguna por parte de Snow Joe® + Sun Joe® de notificar sobre dichos cambios. Los accesorios pueden ser pedidos en línea en [sunjoe.com](http://sunjoe.com) o vía telefónica llamando al centro de servicio al cliente Snow Joe® + Sun Joe® al 1-866-SNOWJOE (1-866-766-9563).



## LA PROMESA DE SNOW JOE® + SUN JOE® AL CLIENTE

**POR SOBRE TODO**, en Snow Joe, LLC (“Snow Joe”) estamos dedicados a usted, nuestro cliente. Nos esforzamos por hacer que su experiencia sea lo más placentera posible. Desafortunadamente, hay veces en que un producto Snow Joe®, Sun Joe®, o Aqua Joe® (el “Producto”) no funciona o sufre un desperfecto bajo condiciones normales de operación. Creemos que es importante que usted sepa que puede confiar en nosotros. Es por eso que tenemos esta Garantía Limitada (la “Garantía”) para nuestros Productos.

### NUESTRA GARANTÍA:

Snow Joe garantiza que sus Productos motorizados y no motorizados, nuevos y genuinos, están libres de defectos materiales o de mano de obra al ser usados en tareas domésticas normales durante un periodo de dos (2) años a partir de la fecha de compra por parte del comprador original y usuario final, cuando este último los compra a través de Snow Joe o un vendedor autorizado por Snow Joe y ha obtenido un comprobante de compra. Ya que Snow Joe no puede controlar la calidad de sus Productos vendidos por vendedores no autorizados, a menos que la ley lo prohíba esta Garantía no cubre Productos adquiridos a través de vendedores no autorizados. Si su Producto no funciona, o hay un problema con una parte específica que está cubierta por los términos de esta Garantía, Snow Joe elegirá entre: (1) enviarle una parte de repuesto gratuita; (2) reemplazar el Producto con uno nuevo o similar sin costo alguno; o (3) reparar el Producto. ¡Un excelente soporte!

**Esta Garantía le da derechos legales específicos, y usted puede también tener otros derechos según el Estado.**

### REGISTRO DEL PRODUCTO:

Snow Joe le recomienda enfáticamente registrar su Producto. Usted puede registrar su Producto en línea visitando [snowjoe.com/register](http://snowjoe.com/register), imprimiendo y enviando por correo una tarjeta de registro disponible en línea en nuestro sitio Web, llamando a nuestra central de servicio al cliente al **1-866-SNOWJOE (1-866-766-9563)**, o enviándonos un e-mail a [help@snowjoe.com](mailto:help@snowjoe.com). Si usted no registra su Producto sus derechos de garantía no disminuirán; sin embargo, registrar su Producto permitirá que Snow Joe le pueda atender mejor si usted tiene alguna necesidad como cliente.

### ¿QUIÉN PUEDE SOLICITAR COBERTURA DE GARANTÍA LIMITADA?

Esta Garantía es otorgada por Snow Joe al comprador original y propietario original del Producto.

### ¿QUÉ NO ESTÁ CUBIERTO?

Esta Garantía no se aplica si el Producto ha sido usado de forma comercial o en aplicaciones no domésticas o de alquiler. Esta Garantía tampoco se aplica si el Producto fue adquirido desde un vendedor no autorizado. Esta garantía tampoco cubre cambios cosméticos que no afecten el funcionamiento del Producto. Las partes desgastables como correas, brocas y cuchillas no están cubiertas por esta Garantía, y pueden ser compradas visitando [snowjoe.com](http://snowjoe.com) o llamando al **1-866-SNOWJOE (1-866-766-9563)**.





# TONDEUSE À GAZON/ DÉCHIQUETEUSE ÉLECTRIQUE

43 cm | 13 A

## MANUEL D'UTILISATION

Une division de Snow Joe<sup>®</sup>, LLC

Modèle MJ403E

Formulaire n° SJ-MJ403E-880F-MR6

## IMPORTANT!

### Consignes de sécurité

### Tous les utilisateurs doivent lire ces instructions avant d'utiliser la machine

Suivez toujours ces consignes de sécurité. Ne pas s'y conformer peut entraîner de graves blessures, voire même la mort.

### AVERTISSEMENTS d'ordre général en matière de sécurité!

Quand vous utilisez cette tondeuse à gazon/déchiqueteuse électrique, les précautions de sécurité de base doivent toujours être suivies pour réduire le risque d'incendie, d'électrocution ou de blessure corporelle. Parmi ces précautions figurent les avertissements suivants :

**⚠️ AVERTISSEMENT!** Ne pas utiliser sans que le bac à herbe complet, le déflecteur de protection d'éjection, la protection arrière ou d'autres dispositifs de protection et de sécurité ne soient en place et en bon ordre de marche.

**⚠️ AVERTISSEMENT!** L'utilisation de tout autre accessoire ou pièce attachée pourrait augmenter le risque de blessure.

**⚠️ AVERTISSEMENT!** Pour réduire le risque de blessure, inspecter fréquemment l'ensemble bac à herbe et le remplacer par une pièce recommandée s'il présente des signes d'usure ou de détérioration.

Avant d'utiliser la tondeuse à gazon/déchiqueteuse électrique, prenez le temps de vous familiariser avec les commandes, spécialement la façon d'arrêter la machine en cas d'urgence. Les seules personnes qui devraient utiliser la machine sont celles qui comprennent parfaitement les instructions et qui savent comment utiliser la machine. Les enfants ne devraient jamais être autorisés à avoir accès à la tondeuse à gazon/déchiqueteuse électrique.

Conservez ce manuel pour y faire éventuellement référence dans le futur et relisez-le au début de chaque saison de tonte des pelouses.

**⚠️ AVERTISSEMENT!** Tout contact avec des pièces en mouvement peut être cause d'enchevêtrement, de mutilation ou d'autres blessures graves. Toujours maintenir les parties du corps (c.-à-d., les mains, les pieds) à bonne distance des pièces mobiles. S'assurer que tous les éléments couvrants et dispositifs de protection sont bien en place avant utilisation.

Les surfaces chaudes (c.-à-d., le moteur) peuvent enflammer des éléments inflammables ou combustibles et déclencher un incendie ou une explosion, ce qui peut être à l'origine de graves blessures corporelles. Maintenir la tondeuse à gazon/déchiqueteuse électrique à bonne distance des éléments inflammables ou combustibles tant que les surfaces qui sont chaudes n'ont pas complètement refroidi. Ne pas remettre la machine à proximité d'éléments inflammables ou combustibles.

Une lame endommagée ou un écrou de lame usé peut briser l'ensemble tondeuse et entraîner de graves blessures. Remplacer la lame ou l'écrou de lame endommagé avant d'utiliser la machine.

- 1. Éviter les situations dangereuses** – N'utilisez pas la tondeuse à gazon/déchiqueteuse électrique sous la pluie ou quand l'herbe est mouillée ou humide.
- 2. Maintenir les enfants, les spectateurs et les animaux familiers à bonne distance** – Tenez toujours les enfants et les spectateurs à bonne distance de la machine pendant son utilisation et quand elle refroidit.
- 3. S'habiller en conséquence** – Portez toujours un équipement de protection individuelle (c.-à-d., des lunettes, des gants en caoutchouc, des chaussures de protection et un masque protecteur contre la poussière) et des vêtements appropriés quand vous utilisez la machine. Les vêtements amples, les cheveux longs ou les bijoux peuvent se prendre dans les pièces mobiles.
- 4. Utiliser une machine adaptée au travail à faire** – N'utilisez pas la tondeuse à gazon/déchiqueteuse électrique pour un travail autre que celui pour lequel elle est destinée.
- 5. Ne pas forcer la tondeuse à gazon** – Elle fonctionnera mieux, sera moins dangereuse et moins susceptible de tomber en panne si elle est utilisée au régime pour lequel elle a été conçue.
- 6. Ne pas s'arc-bouter** – Restez en permanence sur les deux pieds pour ne pas perdre l'équilibre.
- 7. Rester vigilant** – Soyez toujours à l'affût et surveillez ce que vous faites. Faites preuve de bon sens. N'utilisez pas la tondeuse à gazon/déchiqueteuse électrique quand vous êtes fatigué ou si vous avez consommé de l'alcool ou de la drogue.

- 8. Débrancher la tondeuse à gazon/déchiquteuse électrique** – Débranchez la machine de la source d'alimentation électrique quand vous ne l'utilisez pas, avant d'intervenir dessus, quand vous changez les accessoires ou quand vous effectuez toute autre tâche d'entretien.
- 9. Ranger la tondeuse à gazon/déchiquteuse électrique à l'intérieur, à l'arrêt complet** – Quand elle n'est pas utilisée, la machine doit être remise à l'intérieur dans un endroit sec, sous clé et hors de portée des enfants.
- 10. Entretien avec soin la tondeuse à gazon/déchiquteuse électrique** – Pour qu'ils puissent être utilisés au mieux de leur rendement et sans danger, maintenez les tranchants affûtés et propres.
- Inspectez périodiquement le cordon et, s'il est endommagé, faites-le réparer par un centre de réparation agréé. Les rallonges électriques doivent être périodiquement inspectées et immédiatement remplacées si elles sont endommagées. Maintenez les poignées sèches, propres et exemptes d'huile et de graisse.

## Sécurité électrique

- Des dispositifs de protection contre les défauts de terre (disjoncteurs de fuite de terre) doivent être fournis sur le(s) circuit(s) ou la(les) prise(s) utilisés pour la machine. Des prises intégrant un disjoncteur de fuite de terre sont offertes et peuvent être utilisées pour répondre à cette mesure de sécurité.
  - Assurez-vous que la tension de secteur correspond à celle indiquée sur l'étiquette signalétique de la machine. L'utilisation d'une tension inappropriée pourrait endommager le moteur et blesser l'utilisateur.
  - Pour réduire le risque d'électrocution, cette machine est munie d'une fiche polarisée (c.-à-d., une lame est plus large que l'autre). Utilisez cette machine uniquement avec une rallonge électrique à fiche polarisée, homologuée UL, CSA ou ETL, recommandée pour l'extérieur et tout temps, par exemple la rallonge électrique 50 pieds de calibre 14 Power Joe Snow Joe® + Sun Joe® SJTW-A dont les extrémités s'éclairent quand elle est sous tension (modèle PJEXT50-B). Visitez [sunjoe.com](http://sunjoe.com) pour acheter en ligne cette rallonge électrique ou, pour la commander par téléphone, appelez le 1-866-SNOWJOE (1-866-766-9563).
- La fiche de la machine ne s'insère que d'une seule façon dans une rallonge à fiche polarisée. Si la fiche de la machine ne rentre pas complètement dans la rallonge, inversez-la. Si la fiche ne s'insère toujours pas, procurez-vous une rallonge à fiche polarisée. Une rallonge à fiche polarisée nécessite l'utilisation d'une prise murale polarisée. La fiche polarisée de la rallonge ne s'insère que d'une seule façon dans la prise murale polarisée. Si la fiche ne rentre pas complètement dans la prise murale, inversez-la. Si la fiche ne s'insère toujours pas, communiquez avec un électricien qualifié pour qu'il pose une prise adéquate. Ne modifiez en aucune façon la fiche de la machine, la prise de la rallonge ou la fiche de la rallonge.

- Pour éviter une électrocution, utilisez uniquement une rallonge électrique appropriée pour l'extérieur, par exemple SW-A, SOW-A, STW-A, STOW-A, SJW-A, SJOW-A, SJTW-A ou SJTOW-A.

Avant son utilisation, vérifiez que la rallonge électrique est en bon état. Quand vous utilisez une rallonge électrique, assurez-vous qu'elle soit de calibre suffisant pour le courant que votre machine va consommer. Une rallonge sous-dimensionnée provoquera une chute de tension dans les lignes, ce qui entraînera une perte de puissance et une surchauffe.

### **AVERTISSEMENT**

**Toute électrocution peut entraîner des BLESSURES GRAVES pouvant même être FATALES. Tenir compte de ces avertissements :**

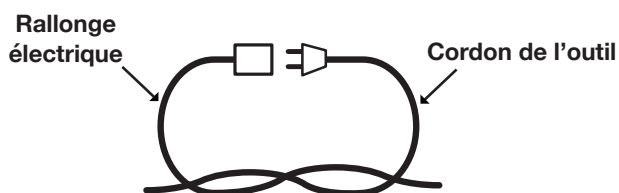
- Ne laisser aucune partie de la tondeuse à gazon/déchiquteuse électrique entrer en contact avec de l'eau pendant son utilisation. Si la machine se mouille lorsqu'elle n'est pas en marche, l'essuyer avant de la redémarrer.
- Utiliser uniquement une rallonge électrique homologuée UL, CSA ou ETL, recommandée pour une utilisation à l'extérieur et tout temps, par exemple la rallonge électrique 50 pieds de calibre 14 Power Joe Snow Joe® + Sun Joe® SJTW-A dont les extrémités s'éclairent quand elle est sous tension (modèle PJEXT50-B). Visitez [sunjoe.com](http://sunjoe.com) pour acheter en ligne cette rallonge électrique ou, pour la commander par téléphone, appeler le 1-866-SNOWJOE (1-866-766-9563).
- Ne pas utiliser de rallonge électrique d'une longueur supérieure à 30 m (100 pi).
- Ne pas toucher la machine ou sa prise de courant les mains mouillées ou les pieds dans l'eau. Le port de bottes de caoutchouc offre une certaine protection.

**TABLEAU - RALLONGE ÉLECTRIQUE**

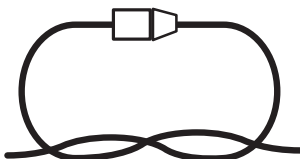
Longueur de la rallonge électrique	Jusqu'à 15 m	+15 m -30 m
Calibre de fil (AWG) :	14	12

- Pour empêcher que le cordon de la machine se débranche de la rallonge électrique pendant son utilisation, faites un nœud avec les deux cordons comme indique le Tableau 1.

Tableau 1. Méthode d'attache de rallonge électrique




(A) Nouer les cordons comme sur l'illustration



(B) Brancher la fiche dans la prise

6. N'utilisez pas le cordon à mauvais escient. Ne tirez jamais la tondeuse à gazon/déchiquteuse électrique par le cordon et ne tirez pas brusquement sur le cordon pour le retirer de la prise. Maintenez le cordon éloigné de la chaleur, de l'huile et des objets tranchants.

## Machines à double isolation

Les machines à double isolation sont dotées de deux systèmes d'isolation au lieu d'une mise à la terre. Aucune mise à la terre n'est prévue sur les machines à double isolation et aucune mise à la terre ne doit être ajoutée à ces machines. Toute intervention sur une machine à double isolation exige un soin extrême et une parfaite connaissance du système et doit être effectuée uniquement par du personnel technique qualifié chez un revendeur Snow Joe® + Sun Joe® agréé. Les pièces de rechange pour un outil à double isolation doivent être identiques aux pièces d'origine. Les indications « Double Insulation » (double isolation) ou « Double Insulated » (doublement isolé) sont marquées sur tous les outils à double isolation. Le symbole  (carré dans un carré) peut être également marqué sur l'outil.



**DOUBLE ISOLATION : MISE À LA TERRE NON NÉCESSAIRE. POUR LES RÉPARATIONS, UTILISER UNIQUEMENT DES PIÈCES DE RECHANGE IDENTIQUES.**

Cette tondeuse à gazon/déchiquteuse électrique est à double isolation, éliminant ainsi la nécessité d'un système séparé de mise à la terre. Utilisez uniquement des pièces de rechange identiques. Lisez les instructions avant d'intervenir sur une machine à double isolation. Utilisez cette tondeuse à gazon/déchiquteuse électrique uniquement comme le décrit ce manuel.

## IMPORTANT! Consignes de sécurité pour les tondeuses poussées

### Généralités concernant l'utilisation

- Lisez, comprenez et suivez toutes les instructions sur la machine et dans le ou les manuels.
- Ne mettez ni les mains ni les pieds sous la machine. Tenez-vous toujours à l'écart de l'ouverture d'éjection.
- Maintenez en place et en bon ordre de marche les dispositifs de sécurité.
- Seuls les adultes responsables et familiarisés avec les instructions devraient être autorisés à utiliser cette machine.
- Débarrassez la zone à tondre de tout corps étranger, par exemple les roches, fils, jouets et autres éléments divers, susceptibles d'être ramassés et projetés par la lame. Restez derrière le guidon pendant que le moteur tourne.
- Avant de démarrer la machine, assurez-vous qu'il n'y a plus aucun spectateur dans la zone à tondre. Arrêtez la machine si quelqu'un pénètre dans la zone à tondre.
- N'utilisez pas la machine pieds nus ou si vous portez des sandales. Portez toujours des chaussures suffisamment montantes.
- Regardez toujours vers le bas et l'arrière quand vous utilisez la tondeuse à reculons.
- Ne dirigez jamais les matières rejetées en direction de quiconque. Évitez de diriger les matières rejetées contre un mur ou tout autre obstacle.
- N'utilisez pas la machine sans que la totalité du sac à herbe, le déflecteur de protection d'éjection, la protection arrière ou les autres dispositifs de sécurité soient en place et en bon ordre de marche
- Ne laissez jamais sans surveillance une machine dont le moteur tourne.
- Arrêtez le moteur et attendez que la lame s'arrête complètement avant de nettoyer la machine, de retirer le bac à herbe ou de déboucher le déflecteur de protection d'éjection.
- Utilisez la machine uniquement à la lumière du jour ou sous un bon éclairage artificiel.
- N'utilisez pas la machine quand vous êtes fatigué ou si vous avez consommé de l'alcool ou de la drogue.
- N'utilisez jamais la tondeuse dans de l'herbe humide. Assurez toujours vos pas; marchez, ne courez jamais quand vous utilisez la tondeuse.
- Si la machine commence à vibrer d'une manière anormale, arrêtez le moteur et inspectez immédiatement la machine pour rechercher ce qui est à l'origine des vibrations. Les vibrations sont généralement des signes précurseurs d'un problème.

- Maintenez les lames affûtées.
- Gardez les mains et les pieds éloignés de l'endroit de la pelouse que la machine tond.
- Portez toujours une protection oculaire quand vous utilisez la machine.
- Tout ce qui est heurté par la lame de la tondeuse à gazon peut provoquer de graves blessures. La zone à tondre doit toujours être inspectée attentivement et débarrassée de tout corps étranger avant chaque tonte.
- Si la tondeuse à gazon heurte un corps étranger, suivez ces étapes :
  - i) Arrêtez la tondeuse à gazon en relâchant le levier-barre-interrupteur.
  - ii) Débranchez le cordon d'alimentation.
  - iii) Vérifiez si la machine n'est pas endommagée.
  - iv) Réparez tout dommage avant de redémarrer et d'utiliser à nouveau la tondeuse à gazon.
- Utilisez uniquement des lames de rechange identiques.

## Utilisation sur terrain pentu

Les terrains pentus sont la cause majeure des accidents dus à des glissades ou à des chutes et des graves blessures qu'ils peuvent entraîner. L'utilisation d'une tondeuse sur terrain pentu exige une extrême vigilance. Si vous ne vous sentez pas à l'aise sur un terrain pentu, ne le tondez pas.

- Tondez en travers de la pente, jamais en montant ou en descendant. Faites preuve d'une extrême prudence quand vous changez de direction sur des terrains pentus.
- Faites attention aux trous, ornières, bosses, roches et à tout ce qui peut être caché. Ils peuvent vous faire glisser ou tomber sans prévenir.
- Ne tondez pas de l'herbe humide ou des terrains excessivement pentus. Si vous êtes instable sur vos deux pieds, vous risquez de glisser ou de tomber.
- Ne tondez pas à proximité d'à-pics, de fossés ou de talus. Vous pourriez perdre l'équilibre.

## Enfants

Des accidents tragiques peuvent se produire si l'utilisateur ne fait pas attention à la présence d'enfants. Les enfants sont souvent attirés par la machine et la tonte elle-même.

Ne supposez jamais que les enfants resteront là où vous les avez vus pour la dernière fois.








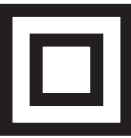
- Maintenez les enfants à l'écart de la zone à tondre et sous la stricte surveillance d'un adulte responsable autre que l'utilisateur.
- Soyez vigilant et arrêtez la machine si un enfant pénètre dans la zone de travail.
- Ne laissez jamais les enfants utiliser la machine.
- Redoublez d'attention en approchant les coins aveugles, les buissons, les arbres ou tout ce qui pourrait vous empêcher de voir un enfant.

## Entretien et réparation

- Maintenez serrés tous les écrous et boulons.
- Ne trafiquez jamais les dispositifs de sécurité. Faites des vérifications régulières pour vous assurer que ces dispositifs sont en place et en bon ordre de marche.
- Débarrassez la tondeuse de toute accumulation d'herbe, feuilles ou autres débris.
- Si vous heurtez un objet étranger, arrêtez le moteur et inspectez la machine. Réparez au besoin avant de redémarrer.
- N'effectuez jamais de réglages ou de réparations quand le moteur tourne. Débranchez toujours la tondeuse électrique avant de la régler, de la nettoyer ou de la réparer.
- Inspectez fréquemment les composants du déflecteur de protection d'éjection et, au besoin, remplacez-les par des pièces recommandées par le fabricant.
- Les lames de la tondeuse sont affûtées. Enveloppez la lame ou portez des gants et faites preuve d'une extrême prudence quand vous les réparez.
- Maintenez visibles les étiquettes de sécurité et d'instructions ou, le cas échéant, remplacez-les.

# Symboles de sécurité

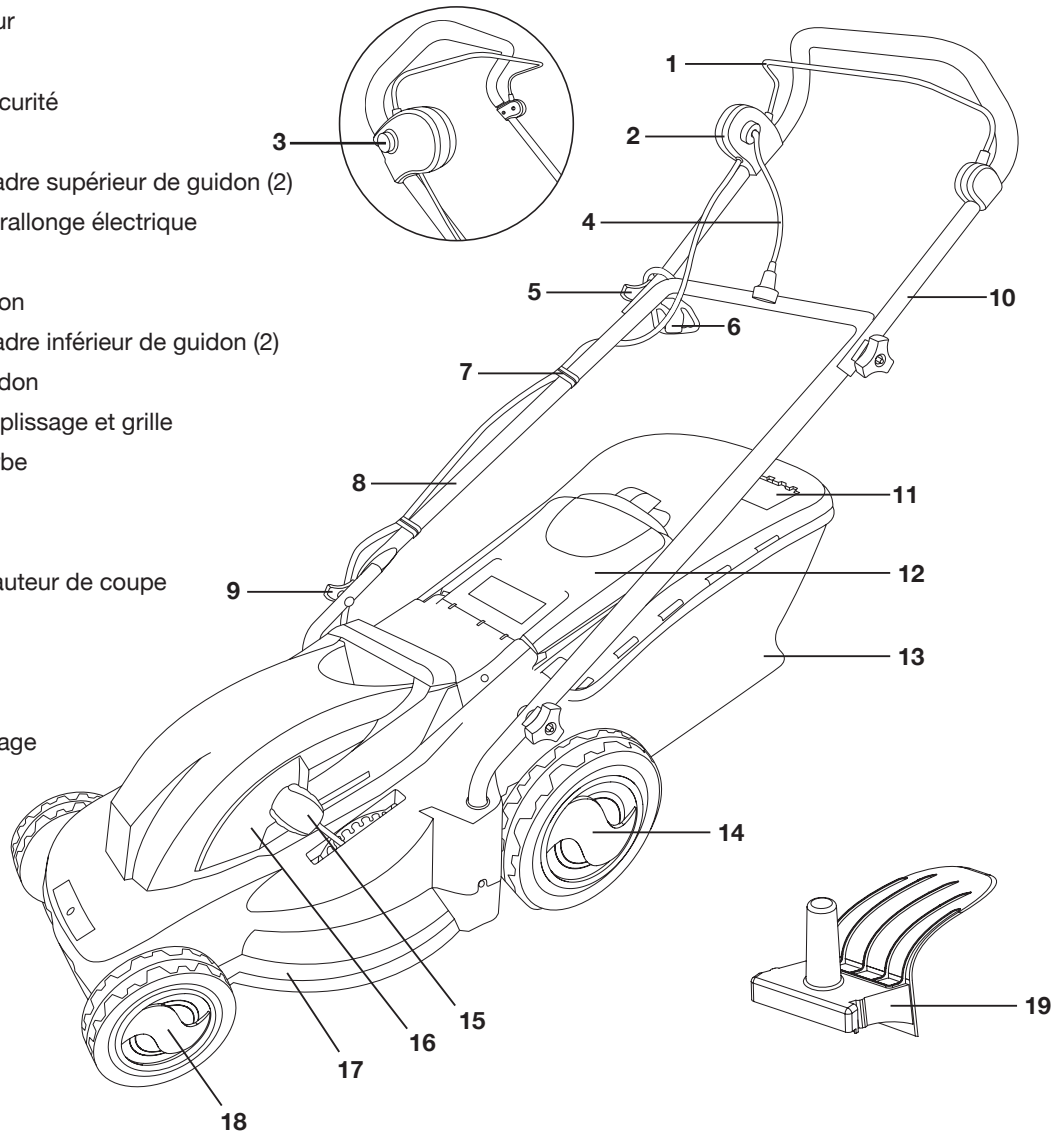
Le tableau suivant décrit et explique les symboles de sécurité pouvant être marqués sur cette machine. Lisez, comprenez et suivez toutes les instructions sur la machine avant d'essayer de procéder à son assemblage et de l'utiliser.

Symboles	Descriptions	Symboles	Descriptions
	Étiquette CPSC de danger.		Maintenir les spectateurs et les enfants à une distance de sécurité suffisante.
	Alerte de sécurité. Mise en garde.  Pour réduire le risque de blessure, l'utilisateur doit lire le manuel d'instructions.		Porter une protection oculaire et une protection de l'ouïe. Pour éviter de vous blesser, porter des protecteurs d'oreilles et des lunettes de sécurité.
	Risque de glissade sur terrain pentu : pour éviter toute glissade ou chute accidentelle, faire preuve d'une extrême prudence en tondant sur des pentes.		Sectionnement des orteils ou des doigts par la lame de tondeuse en rotation.
	La projection d'objets et la lame rotative peuvent provoquer de graves blessures.		Double isolation.

# Apprenez à mieux connaître votre tondeuse à gazon/ déchiqueteuse électrique

Lisez attentivement le manuel de l'utilisateur et les consignes de sécurité avant d'utiliser la tondeuse à gazon/déchiqueteuse électrique. Comparez l'illustration ci-dessous avec la tondeuse pour vous familiariser avec l'emplacement des différents réglages et commandes. Conservez ce manuel pour pouvoir vous y reporter dans le futur.

1. Levier-barre-interrupteur
2. Boîtier d'interrupteur
3. Bouton-poussoir de sécurité
4. Cordon d'alimentation
5. Bouton et boulon de cadre supérieur de guidon (2)
6. Crochet de retenue de rallonge électrique
7. Serre-câble (2)
8. Cadre inférieur de guidon
9. Bouton et boulon de cadre inférieur de guidon (2)
10. Cadre supérieur de guidon
11. Volet indicateur de remplissage et grille
12. Couvercle du sac à herbe
13. Sac à herbe
14. Roue arrière (2)
15. Levier de réglage de hauteur de coupe
16. Orifice de ventilation
17. Châssis
18. Roue avant (2)
19. Bouchon de déchiquetage



## Données techniques

Moteur .....	13 A	Contenance du sac à herbe .....	45 l
Tension nominale.....	120 V ~ 60 Hz	Hauteur de coupe.....	De 25 mm à 73 mm
Régime à vide.....	3 500 tr/min	Dimension des roues.....	Avant : 16,5 cm Arrière : 25,4 cm
Rotor.....	Lame d'acier de 43 cm	Poids net .....	14,3 kg
Largeur de coupe .....	43 cm		

# Déballage

## Contenu de la caisse

- Châssis de la tondeuse à gazon/déchiqueteuse électrique
- Cadre supérieur de guidon
- Cadre inférieur de guidon
- Sac à herbe
- Bouchon de déchiquetage (préassemblé sur le châssis de la machine)
- Bouton et boulon de cadre supérieur de guidon (2)
- Bouton et boulon de cadre inférieur de guidon (2)
- Attache-cordon (2)
- Poignée de sac à herbe
- Manuel et carte d'enregistrement

1. Retirez soigneusement la tondeuse à gazon/déchiqueteuse de la caisse et inspectez-la pour vérifier que tous les éléments énumérés ci-dessus sont fournis.
2. Inspectez soigneusement le contenu pour vous assurer qu'aucun élément n'a été brisé ou endommagé pendant le transport. Si vous constatez que des pièces manquent ou sont endommagées, NE PAS retourner la machine au magasin. Veuillez appeler le service clientèle Snow Joe® + Sun Joe® au 1-866-SNOWJOE (1-866-766-9563).

**REMARQUE :** ne jetez pas la caisse d'expédition et l'emballage tant que vous n'êtes pas prêt à utiliser votre nouvelle tondeuse à gazon/déchiqueteuse électrique. L'emballage est fabriqué dans des matériaux recyclables. Éliminez ces matériaux de façon appropriée et conformément aux réglementations locales.

**IMPORTANT!** Le matériel et l'emballage ne sont pas des jouets. Ne laissez pas les enfants jouer avec les sacs en plastique, les feuilles métalliques ou les petites pièces. Ces éléments peuvent être avalés et présentent un danger de suffocation!

## Assemblage

Suivez attentivement les instructions ci-dessous pour assembler votre tondeuse à gazon/déchiqueteuse électrique Sun Joe®, si vous avez la moindre question pendant l'assemblage, n'hésitez pas à appeler le service clientèle Snow Joe® + Sun Joe® au 1-866-SNOWJOE (1-866-766-9563).

### Raccordement des cadres supérieur et inférieur de guidon

1. Attacher le cadre inférieur de guidon à la machine à l'aide des boutons et des boulons du cadre inférieur. Serrez les boutons de chaque côté pour bien attacher les cadres de guidon (Fig. 1).

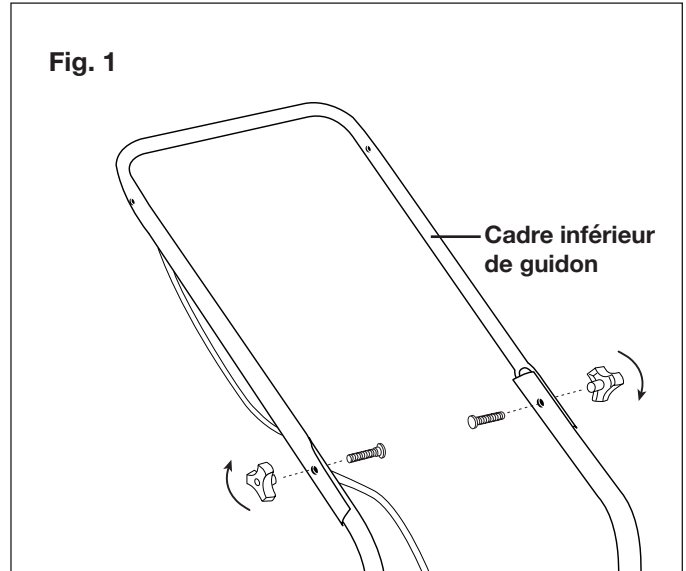


Fig. 1

Cadre inférieur de guidon

2. Faites glisser le crochet de retenue de rallonge électrique sur le cadre supérieur de guidon, puis attachez le cadre supérieur de guidon au cadre inférieur de guidon à l'aide des boutons et des boulons du cadre supérieur. Serrez les boutons de chaque côté pour bien attacher les cadres de guidon (Fig. 2).

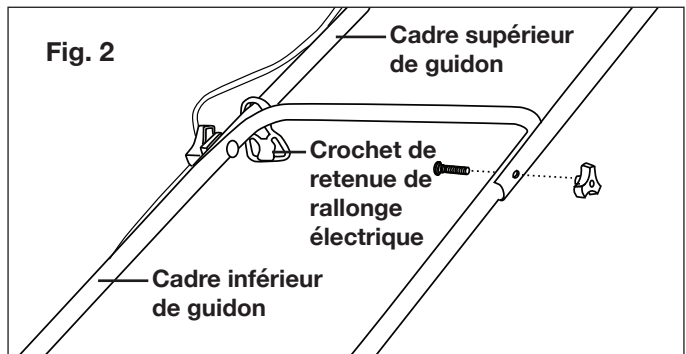


Fig. 2

Cadre supérieur de guidon

Crochet de retenue de rallonge électrique

Cadre inférieur de guidon

3. Utilisez les serre-câbles fournis pour attacher le cordon d'alimentation le long du cadre inférieur de guidon (Fig. 3).

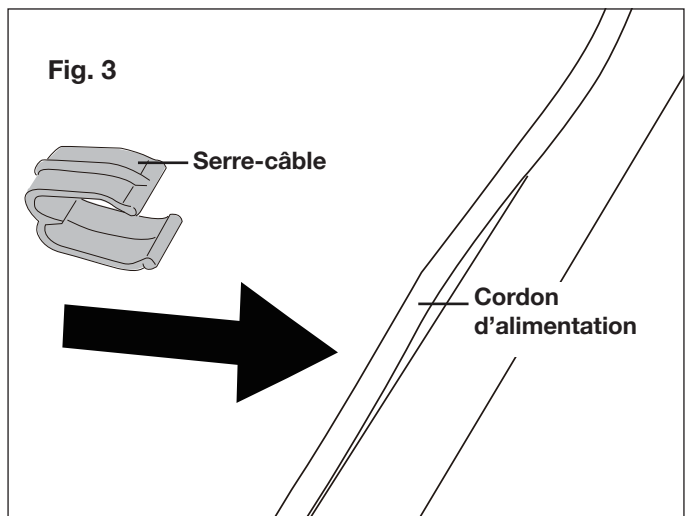


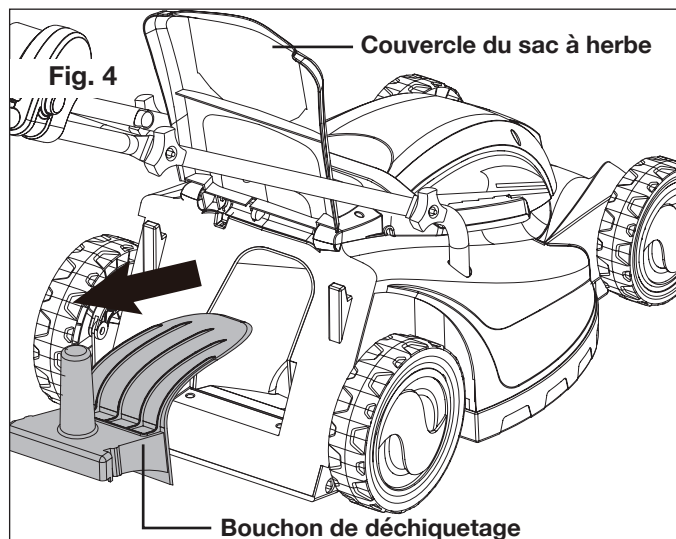
Fig. 3

Serre-câble

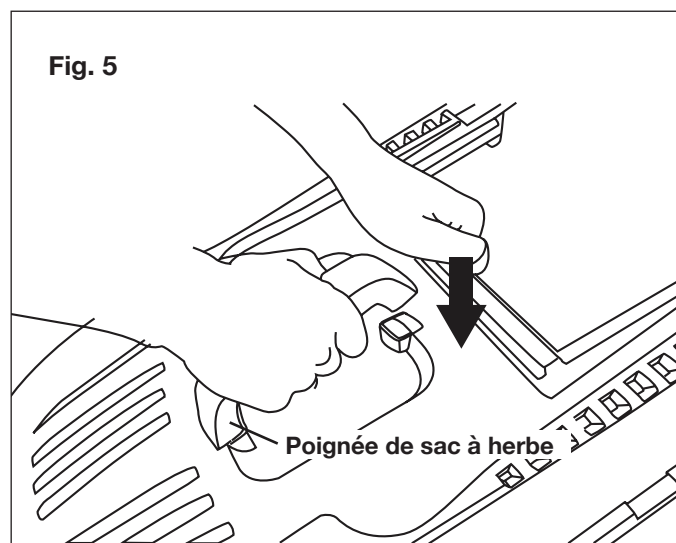
Cordon d'alimentation

## Pose du sac à herbe

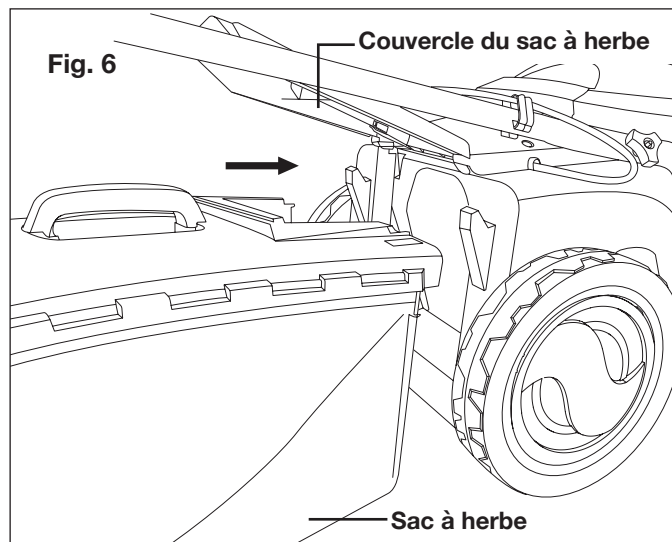
1. Relevez le couvercle du sac à herbe et retirez le bouchon de déchetage prémonté (Fig. 4).



2. Posez la poignée du sac à herbe sur celui-ci (Fig. 5).



3. Relevez le couvercle du sac à herbe et suspendez le sac à herbe par les crochets de fixation de la tondeuse (Fig. 6).



## Utilisation

Cette tondeuse à gazon/déchetuse électrique a été conçue pour tondre le gazon. N'utilisez pas cette machine pour des travaux différents de ceux pour lesquels elle est destinée.

Cette tondeuse à gazon/déchetuse électrique est prévue pour un usage résidentiel privé consistant à tondre des pelouses de jardin de petite ou moyenne superficie. Cette tondeuse à gazon n'est pas adaptée pour couper l'herbe dans les parcs publics, les terrains de jeu, les fermes ou les forêts.

**⚠ AVERTISSEMENT!** Ne mettez pas en marche la machine tant qu'elle n'est pas entièrement assemblée. Avant de mettre en marche la machine, inspectez toujours son cordon d'alimentation et la rallonge électrique pour vérifier qu'ils ne sont pas endommagés; utilisez uniquement des cordons intacts.

**REMARQUE :** les rallonges électriques endommagées risquent de blesser gravement. Remplacez immédiatement tout cordon endommagé.

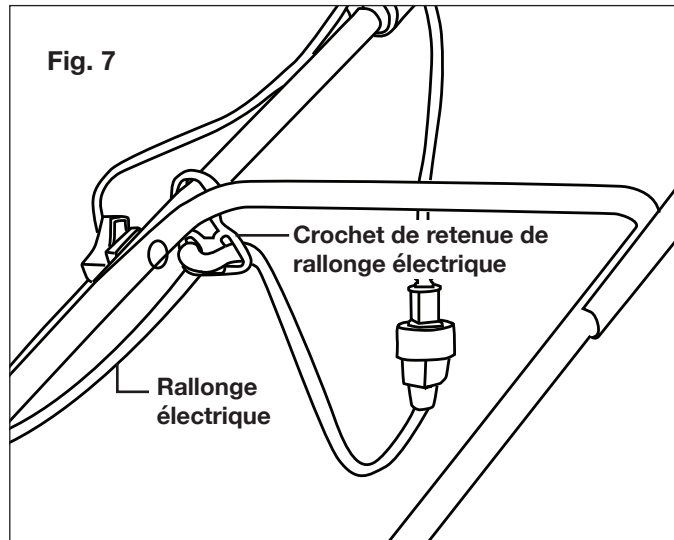
## Utilisateurs non autorisés

Les personnes qui ne se sont pas familiarisées avec le manuel de l'utilisateur, les enfants, les jeunes de moins de 16 ans ainsi que les personnes ayant consommé de l'alcool, de la drogue ou des médicaments ne sont pas autorisés à utiliser la machine.



## Branchement

1. Poussez la boucle de la rallonge électrique à travers la fente pratiquée dans le crochet de retenue de rallonge électrique en l'introduisant du côté opposé au crochet de retenue (Fig. 7). Branchez le cordon de la machine dans une rallonge électrique spécialement conçue pour l'extérieur (voir le Tableau des rallonges électriques en page 2).

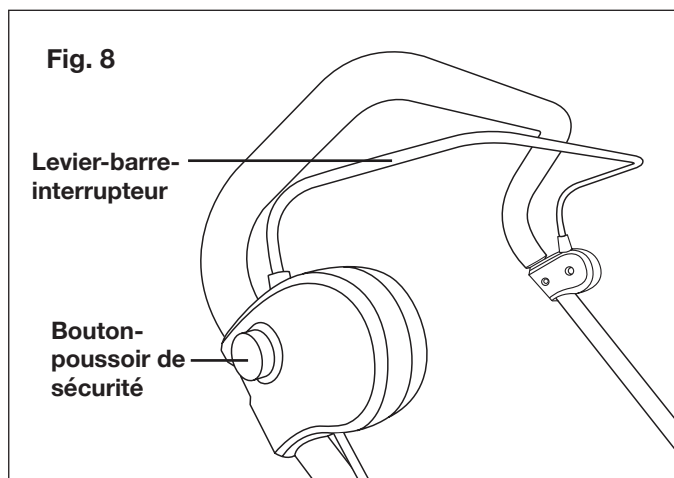


2. Attachez le cordon de la machine à la rallonge comme indiqué dans le Tableau 1 (page 2).

## Démarrage et arrêt

**IMPORTANT** : ne démarrez pas la machine dans de l'herbe haute.

1. Pour démarrer la tondeuse à gazon/déchiquteuse électrique, appuyez sur le bouton-poussoir de sécurité en tirant le levier-barre-interrupteur vers vous. Une fois que la machine a démarré, relâchez le bouton de verrouillage de sécurité et commencez à tondre (Fig. 8).
2. Arrêtez la tondeuse à gazon/déchiquteuse électrique en relâchant le levier-barre-interrupteur (Fig. 8).

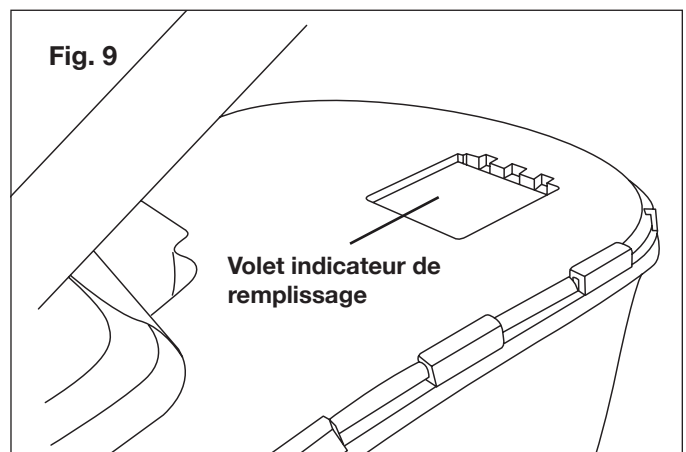


**REMARQUE** : pendant la tonte, faites reposer le cordon d'alimentation sur le passage sur lequel vous marchez et sur les zones déjà tondues.

**AVERTISSEMENT!** Quand le moteur a été coupé, la lame continue à tourner pendant plusieurs secondes. Ne pas toucher le dessous de la tondeuse tant que la lame ne s'est pas complètement arrêtée et n'est pas immobile.

## Sac à herbe

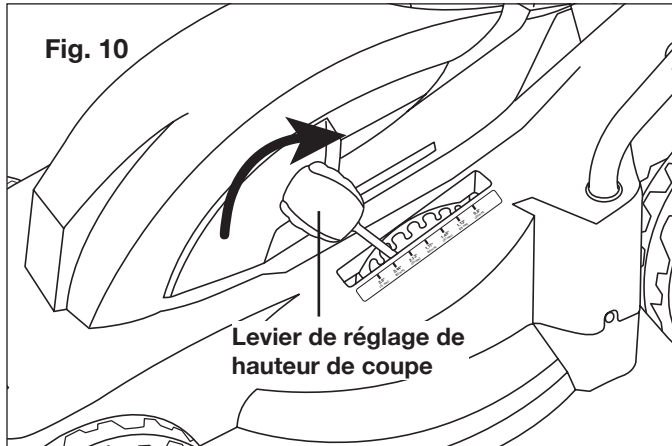
1. Si le sac à herbe est vide ou n'est pas complètement rempli d'herbe, le volet indicateur de remplissage restera ouvert (sous l'effet du débit d'air) ou s'ouvrira et se refermera à brefs intervalles au fur et à mesure que l'herbe s'accumule dans le sac (Fig. 9).
2. Quand le sac à herbe se sera rempli au maximum, le volet indicateur de remplissage restera fermé (par absence de débit d'air). C'est le signe qu'il est temps de vider le sac.



## Réglage de la hauteur de coupe

Cette tondeuse à gazon est équipée d'un levier de réglage de hauteur de coupe à 7 positions pour régler sur mesure les hauteurs de coupe de l'herbe de 25 mm à 73 mm. Pour changer la hauteur de coupe de l'herbe, réglez le levier sur la position voulue (Fig. 10).

1. Poussez le levier de réglage de hauteur de coupe vers l'extérieur du châssis (Fig. 10).
2. Insérez le levier dans l'encoche voulue.



#### Les 7 positions du réglage de la hauteur de coupe :

- |          |          |
|----------|----------|
| 1. 25 mm | 5. 55 mm |
| 2. 30 mm | 6. 65 mm |
| 3. 38 mm | 7. 73 mm |
| 4. 48 mm |          |

**⚠ AVERTISSEMENT!** Avant d'effectuer toute tâche de maintenance ou de nettoyage, toujours débrancher le cordon d'alimentation de la machine.

## Conseils pour la tonte

**⚠ AVERTISSEMENT!** Inspecter la zone de travail avant de tondre ou de déchiqeter et retirer tous les bâtons, pierres, fils et autres débris qui pourraient être projetés par la lame en rotation.

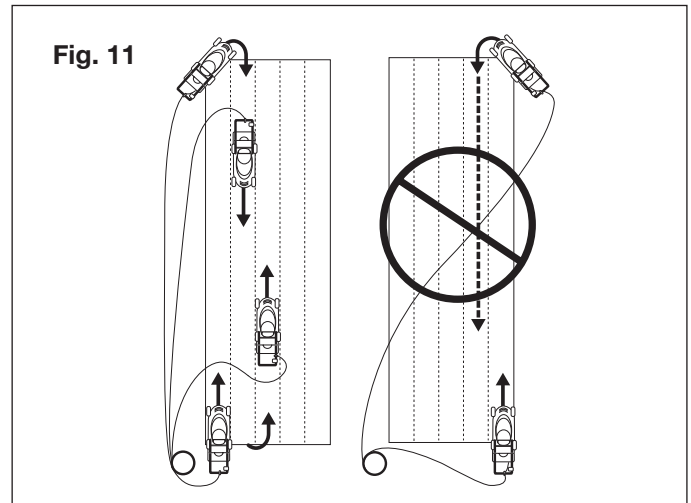
**REMARQUE :** une lame affûtée améliorera nettement le rendement de la tondeuse, spécialement quand il faut couper des herbes hautes.

- Assurez-vous d'inspecter périodiquement la lame pour vérifier si elle présente des signes d'usure et affutez-la au moins une fois par an comme cela est décrit dans la section sur l'entretien.
- Vérifiez qu'il n'y a sur la pelouse aucune pierre, aucun bâton, fil ou autre corps étranger qui pourrait endommager la lame ou le moteur.

Ces objets pourraient être ramassés et projetés accidentellement par la tondeuse dans n'importe quelle direction, ce qui pourrait être à l'origine de graves blessures pour l'utilisateur et d'autres personnes.

- Pour éviter de vous électrocuter, n'utilisez pas la machine quand l'herbe est humide ou mouillée.
- Ne tondez pas en décrivant des cercles. Déplacez-vous d'un côté à l'autre de la pelouse en suivant le chemin tracé (Fig. 11).

- Quand vous tondez de l'herbe épaisse, réduisez votre vitesse de progression pour vous permettre de tondre plus efficacement et de rejeter de façon appropriée l'herbe coupée. Pour obtenir un gazon sain, coupez toujours un tiers ou moins de la hauteur totale de l'herbe. La hauteur moyenne de l'herbe d'un gazon doit se situer approximativement entre 3,8 et 5 cm pendant la saison froide et être supérieure à 5 cm pendant la saison chaude. S'il y a repousse, le gazon doit être tondu à l'automne.



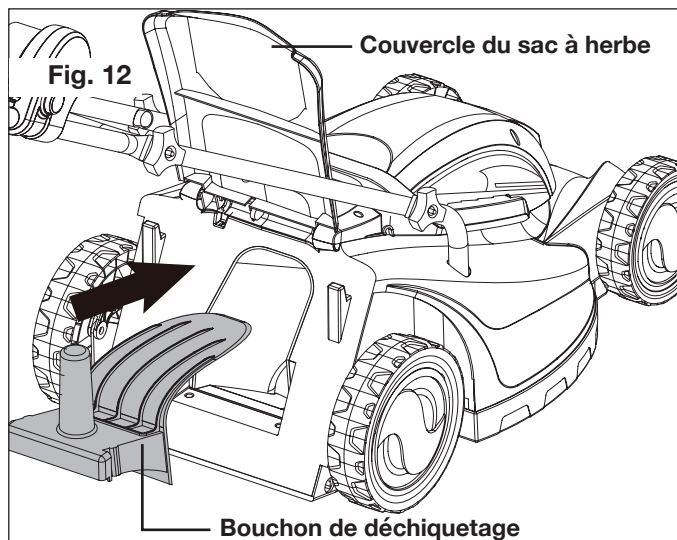
- Pendant que vous tondez, assurez-vous que le cordon d'alimentation est toujours derrière vous et qu'il repose sur la partie de la pelouse déjà tondu.
- La pelouse aura un meilleur aspect si elle est toujours coupée à la même hauteur et en croisant les directions.
- Quand vous traversez des surfaces de gravier, relâchez le levier-barre-interrupteur pour arrêter la tondeuse. Des pierres peuvent être ramassées et projetées par la lame rotative.
- Réglez la tondeuse sur la hauteur de coupe maximale quand vous tondez un terrain accidenté ou des mauvaises herbes hautes.

**⚠ AVERTISSEMENT!** En cas de heurt avec quoi que ce soit, arrêter le moteur et débrancher le cordon d'alimentation. Inspecter soigneusement la tondeuse pour vérifier si elle n'est pas endommagée. Réparer tout dommage avant d'utiliser la tondeuse.

## Conseils pour le déchiqetage

**⚠ AVERTISSEMENT!** Inspecter la zone de travail avant de tondre ou de déchiqeter et retirer tous les bâtons, toutes les pierres, tous les fils et autres débris qui pourraient être projetés par la lame en rotation.

- La machine est expédiée en mode de tondeuse déchiqeteuse, le bouchon de déchiqetage étant déjà monté. Si vous avez utilisé la machine en tant que tondeuse à gazon et si vous voulez la transformer en tondeuse déchiqeteuse, relevez le couvercle du sac à herbe et retirez le sac à herbe. Insérez le bouchon de déchiqetage (Fig. 12) et fermez le couvercle du sac à herbe.



- Pour un déchetage efficace, ne coupez pas de l'herbe mouillée dans la mesure où elle a tendance à se coller sur le dessous du plateau de coupe en empêchant le déchetage approprié de l'herbe coupée. L'herbe nouvelle ou épaisse peut exiger une coupe plus étroite. La vitesse de déplacement doit être réglée en fonction de l'état de la pelouse. Si la tonte a été retardée et si l'herbe a pu pousser de plus de 10 cm, tondez deux fois la pelouse pour que la hauteur de l'herbe ne soit pas supérieure à 8,3 cm.
- Marchez à un pas régulier. Faites chevaucher les passages de la tondeuse. Ne laissez pas l'herbe pousser trop haut. Si l'herbe devient trop longue, démarrez par la position de coupe la plus haute et abaissez progressivement à la hauteur de coupe voulue.

**⚠ AVERTISSEMENT!** En cas de heurt avec quoi que ce soit, arrêter le moteur et débrancher le cordon d'alimentation. Inspecter soigneusement la tondeuse pour vérifier si elle n'est pas endommagée. Réparer tout dommage avant d'utiliser la tondeuse.

## Entretien

**⚠ AVERTISSEMENT!** Avant de nettoyer, réparer ou inspecter la tondeuse à gazon/déchetuse électrique, débrancher le cordon d'alimentation de la machine et vérifier que toutes les pièces mobiles sont complètement arrêtées.

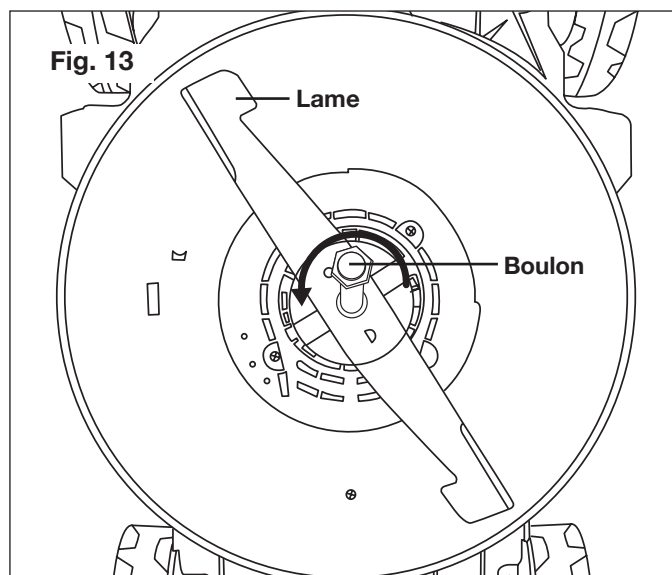
1. N'aspergez pas de l'eau sur la machine. En s'infiltrant, l'eau peut détruire le mécanisme interrupteur et de branchement ainsi que le moteur électrique.
2. Nettoyez la machine à l'aide d'un chiffon sec ou d'une brosse à main. Une inspection technique est nécessaire :
  - a) si la tondeuse à gazon/déchetuse heurte quoi que ce soit.
  - b) si le moteur s'arrête brusquement.
  - c) si la lame est voilée (aucun alignement).

- d) si l'arbre du moteur est voilé (aucun alignement).
- e) si un court-circuit se produit quand le cordon d'alimentation est branché.
- f) si les engrenages sont endommagés.
- g) si la courroie trapézoïdale est défectueuse.

## Remplacement et réaffûtage de lame de coupe

À la fin de chaque saison de tonte, réaffûtez toujours la lame de coupe ou remplacez-la au besoin par une neuve. Vous pouvez acheter en ligne une lame de rechange (Modèle MJ403E-32) ainsi que d'autres pièces de rechange sur le site [sunjoe.com](http://sunjoe.com). Faites toujours réaffûter ou remplacer la lame de coupe par un centre d'entretien et de réparation Snow Joe® + Sun Joe® agréé.

1. Débrancher la tondeuse du secteur.
2. Retourner la tondeuse sur son flanc pour pouvoir accéder au dessous du carter de lame.
3. Utiliser un chiffon ou porter des gants résistants pour saisir la lame.
4. À l'aide d'une clé ajustable, retirer le boulon attachant la lame de la tondeuse en tournant le boulon dans le sens contraire des aiguilles d'une montre. Retirer ensuite la lame avec précautions (Fig. 13).
5. Monter la nouvelle lame et le boulon en suivant la séquence inverse de démontage de l'ancienne lame.

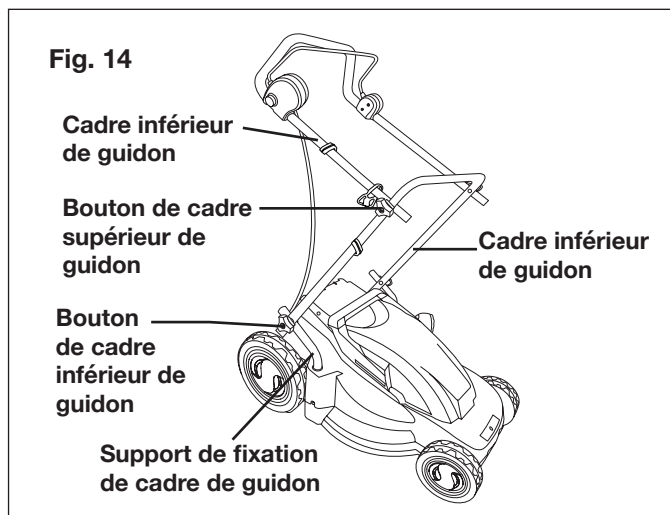


**⚠ AVERTISSEMENT!** Des lames déséquilibrées amèneront la tondeuse à gazon/déchetuse électrique à vibrer violemment, ce qui peut causer un accident. Veuillez suivre les procédures d'entretien appropriées ou appeler le service clientèle Snow Joe® + Sun Joe® pour de l'aide au 1-866-SNOWJOE (1-866-766-9563).

## Remisage

Suivez les étapes ci-dessous pour préparer la tondeuse à gazon/déchiqueteuse électrique avant son remisage :

- Débranchez la machine de la source d'alimentation électrique.
- Nettoyez la machine à l'aide d'un chiffon sec ou d'une brosse à main.
- Inspectez la lame de coupe et remplacez-la ou réaffutez-la si elle présente des signes d'usure. Reportez-vous à la section sur l'entretien.
- Remisez la machine à l'intérieur dans un endroit sec, propre, frais et hors de portée des enfants. Ne remisez pas la machine à proximité de matériaux corrosifs, par exemple de l'engrais ou du chlorure de sodium.
- Essuyez la rallonge électrique pour retirer toute substance étrangère, par exemple de l'huile ou des taches. Remplacez immédiatement la rallonge électrique si elle est coupée ou endommagée, d'une façon ou d'une autre.
- Pour éviter qu'il s'entortille, enroulez le cordon sur lui-même en formant des boucles de même diamètre.
- Ne recouvrez pas la tondeuse à gazon/déchiqueteuse électrique d'une bâche en plastique. Les couvertures en plastique retiennent l'humidité autour de la machine, ce qui peut l'endommager.
- Le guidon de la tondeuse à gazon/déchiqueteuse électrique peut se replier complètement pour que le remisage de la machine prenne peu de place. Commencez par desserrer les boutons de chaque côté du cadre supérieur de guidon et repliez le cadre supérieur de guidon (Fig. 14).
- Desserrez ensuite les boutons de chaque côté du cadre inférieur de guidon. Tirez vers l'extérieur chaque côté du cadre inférieur et soulevez les côtés du cadre inférieur en les faisant passer au-delà des extrémités des supports de fixation de cadre de guidon. Repliez le cadre inférieur vers l'avant en vous assurant de ne pas tordre ou nouer le cordon d'alimentation (Fig. 14).



## Dépannage

Problème	Solution
Le moteur ne tourne pas	<ul style="list-style-type: none"> <li>• Vérifiez le cordon branché sur le secteur et le coupe-circuit (fusible).</li> <li>• Démarrez la machine sur de l'herbe rase ou dans un endroit préalablement tondu et inclinez-la vers l'arrière.</li> <li>• Nettoyez le conduit d'éjection et le carter (la lame de coupe doit tourner librement).</li> <li>• Corrigez la hauteur de coupe.</li> </ul>
La puissance du moteur faiblit	<ul style="list-style-type: none"> <li>• Corrigez la hauteur de coupe.</li> <li>• Nettoyez le conduit d'éjection et le carter.</li> <li>• Remplacez ou réaffutez la lame de la tondeuse (communiquez avec un centre d'entretien et de réparation Snow Joe® + Sun Joe® agréé).</li> </ul>
Le sac à herbe ne se remplit pas suffisamment	<ul style="list-style-type: none"> <li>• Corrigez la hauteur de coupe.</li> <li>• Laissez sécher la pelouse.</li> <li>• Remplacez ou réaffutez la lame de la tondeuse (communiquez avec un centre d'entretien et de réparation Snow Joe® + Sun Joe® agréé).</li> <li>• Nettoyez la grille du sac à herbe.</li> <li>• Nettoyez le conduit d'éjection et le carter.</li> </ul>

Les pannes qui ne peuvent pas être résolues à l'aide de ce tableau peuvent l'être par un spécialiste de l'entreprise uniquement. Veuillez appeler le service clientèle Snow Joe® + Sun Joe® au 1-866-SNOWJOE (1-866-766-9563).

## Entretien et réparation

**⚠AVERTISSEMENT!** Avant de nettoyer, réparer ou inspecter la tondeuse à gazon/déchiquteuse électrique, débrancher le cordon d'alimentation de la machine et vérifier que toutes les pièces mobiles sont complètement arrêtées.

1. Pour toute intervention sur la tondeuse à gazon/déchiquteuse électrique, utilisez uniquement les pièces de rechange authentiques offertes par le fabricant. Pour obtenir des pièces de rechange, visitez notre site web [sunjoe.com](http://sunjoe.com) ou appelez le service à la clientèle Snow Joe® + Sun Joe® au 1-866-SNOWJOE (1-866-766-9563). L'utilisation de pièces qui ne répondent pas aux spécifications de la machine d'origine peut être la cause d'un rendement anormal de la machine, peut compromettre la sécurité de l'utilisateur et annulera la garantie du fabricant.
2. Maintenez les poignées sèches, propres et exemptes d'huile et de graisse.
3. Pour réduire le risque d'incendie, vérifiez qu'il n'y a jamais d'herbe, de feuilles ou de débris accumulés sur le moteur.
4. Vérifiez fréquemment que les boulons de fixation sont correctement serrés. Inspectez visuellement la lame de coupe pour vérifier qu'elle n'est pas endommagée (c.-à-d., voilée, fissurée ou usée).
5. Pour un rendement optimal en toute sécurité, entretenez la tondeuse avec soin. Maintenez la lame de tondeuse affûtée et propre.  
**REMARQUE** : la lame de tondeuse est acérée et peut provoquer de graves blessures si elle est manipulée de façon inappropriée. Enveloppez la lame ou portez des gants de protection et faites preuve d'une extrême prudence quand vous intervenez dessus.
6. Maintenez serrés les écrous, les boulons et les vis pour vous assurer que le matériel est en bon état de marche et peut être utilisé sans danger.
7. Ne trafiquez jamais les dispositifs de sécurité. Inspectez-les régulièrement pour vérifier qu'ils ont en bon ordre de marche.
8. Après avoir heurté un corps étranger, arrêtez le moteur et retirez la clé. Inspectez soigneusement la tondeuse pour vérifier qu'elle n'est pas endommagée. Réparez tout dommage avant de redémarrer la tondeuse.
9. Les composants de la tondeuse à gazon sont susceptibles de s'user et de s'endommager, ce qui peut mettre à découvert des pièces mobiles qui peuvent alors être ramassées et projetées par la machine. Par mesure de précaution, vérifiez fréquemment les composants de la tondeuse et remplacez ceux qui présentent des signes d'usure ou qui sont endommagés.
10. Quand la machine n'est pas utilisée, remisez-la à l'intérieur dans un endroit sec, frais et propre, hors de portée des enfants.

## Assistance

Si votre tondeuse à gazon/déchiquteuse électrique Sun Joe® MJ403E nécessite une réparation ou un entretien, veuillez appeler le service clientèle Snow Joe® + Sun Joe® au 1-866-SNOWJOE (1-866-766-9563).

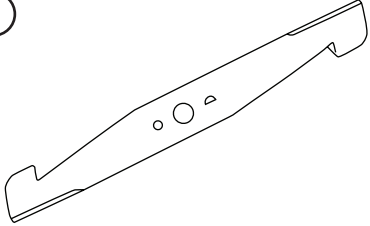
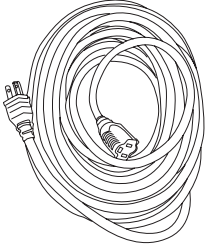
## Numéros de modèle et de série

Lorsque vous communiquez avec l'entreprise pour commander des pièces ou prendre rendez-vous pour une intervention technique chez un revendeur agréé, vous devez fournir les numéros de modèle et de série qui se trouvent sur l'étiquette autocollante apposée sur le carter de la machine. Copiez ces numéros dans l'espace réservé ci-dessous.

Veuillez noter les numéros suivants sur le carter ou le guidon de votre nouvelle machine :	
N° de modèle :	
M   J   4   0   3   E	
N° de série :	

# Accessoires

**⚠️ AVERTISSEMENT!** TOUJOURS utiliser des pièces de rechange et des accessoires Snow Joe® + Sun Joe® homologués. NE JAMAIS utiliser des pièces ou des accessoires qui ne sont pas destinés à être utilisés avec cette tondeuse à gazon/déchiqueteuse électrique. Communiquez avec Snow Joe® + Sun Joe® si vous n'êtes pas sûr que l'utilisation d'une pièce de rechange ou d'un accessoire particulier avec votre tondeuse à gazon/déchiqueteuse électrique soit sans danger. L'utilisation de tout autre accessoire ou de toute autre pièce détachée peut être dangereuse et pourrait provoquer des dommages corporels ou mécaniques.

Accessoires	Description	Modèle
<p>①</p> 	<p>Lame de tondeuse de 43 cm</p>	<p>MJ403E-32</p>
<p>②</p> 	<p>Rallonge électrique 15 m de calibre 14 Power Joe Snow Joe® + Sun Joe® SJTW-A dont les extrémités s'éclairent quand elle est sous tension.</p>	<p>PJEXT50-B</p>

**REMARQUE :** les accessoires sont sous réserve de changements sans que Snow Joe® + Sun Joe® soit pour autant tenue de donner un préavis desdits changements. Les accessoires peuvent être commandés en ligne sur le site [sunjoe.com](http://sunjoe.com) ou par téléphone en appelant le service clientèle Snow Joe® + Sun Joe® au 1-866-SNOWJOE (1-866-766-9563).



## LA PROMESSE DE SNOW JOE® + SUN JOE® À SES CLIENTS

Vous êtes notre client et Snow Joe, LLC (« Snow Joe ») **SE MET EN QUATRE** pour vous servir. Nous nous efforçons de vous rendre l'utilisation de nos produits aussi plaisante que possible. Malheureusement, il peut arriver qu'un produit Snow Joe®, Sun Joe® ou Aqua Joe (« Produit ») ne fonctionne pas ou se casse dans des conditions d'utilisation normales. Nous pensons qu'il est important que vous sachiez ce que vous pouvez attendre de nous. C'est pourquoi nous avons une garantie limitée (« Garantie ») pour nos Produits.

### NOTRE GARANTIE :

Snow Joe déclare et garantit que les Produits neufs, d'origine, électriques ou non électriques sont exempts de vices de matière ou de fabrication et, lorsqu'ils font l'objet d'une utilisation résidentielle et ménagère ordinaire, les garantit pendant une période de deux ans à compter de la date d'achat au détail par l'acheteur primitif auprès de Snow Joe ou d'un des revendeurs agréés de Snow Joe, preuve d'achat à l'appui. Étant donné que Snow Joe ne peut pas contrôler la qualité de ses Produits vendus par des revendeurs non agréés, sauf stipulation contraire de la loi, la présente Garantie ne couvre pas les Produits achetés auprès de vendeurs non agréés. Si votre Produit ne fonctionne pas ou si une pièce spécifique couverte par les modalités de la présente Garantie fait l'objet d'un problème quelconque, Snow Joe choisira (1) de vous envoyer une pièce de rechange gratuite, (2) de remplacer le Produit par un produit neuf ou comparable, gratuitement, ou (3) de réparer le Produit. Génial, n'est-ce pas?

**La présente Garantie vous donne des droits judiciaires spécifiques, et vous pouvez également avoir d'autres droits qui peuvent varier d'une province ou d'un territoire à l'autre.**

### ENREGISTREMENT DU PRODUIT :

Snow Joe vous recommande vivement d'enregistrer votre Produit. Vous pouvez l'enregistrer en ligne sur le site [snowjoe.com/register](http://snowjoe.com/register), ou en imprimant et en envoyant par courrier une carte d'enregistrement offerte en ligne sur notre site Web, ou par téléphone en appelant notre Service à la clientèle au **1-866-SNOWJOE (1-866-766-9563)**, ou encore en nous envoyant un courriel à l'adresse [help@snowjoe.com](mailto:help@snowjoe.com). Le fait de ne pas enregistrer l'achat de votre Produit n'a aucune conséquence sur vos droits concernant la garantie. Toutefois, l'enregistrement de votre Produit permettra à Snow Joe de mieux répondre au moindre besoin que vous pourriez avoir en matière de service à la clientèle.

### QUI PEUT REVENDIQUER LA COUVERTURE DE LA GARANTIE?

La présente Garantie est étendue par Snow Joe à l'acheteur et propriétaire primitif du Produit.

### QU'EST-CE QUI N'EST PAS COUVERT?

La présente Garantie ne s'applique pas si le Produit a été utilisé commercialement, pour des travaux non résidentiels ou s'il fait l'objet d'une location. La présente Garantie ne s'applique pas non plus si le Produit a été acheté auprès d'un revendeur non agréé. La présente garantie ne couvre pas non plus les changements cosmétiques qui n'affectent pas le rendement. Les pièces d'usure comme les courroies, les tarières, les chaînes et les dents ne sont pas couvertes au titre de la présente Garantie et peuvent être achetées en ligne sur le site [snowjoe.com](http://snowjoe.com) ou en appelant le **1-866-SNOWJOE (1-866-766-9563)**.



**[sunjoe.com](http://sunjoe.com)**