



ELECTRIC LAWN MOWER WITH SIDE-DISCHARGE CHUTE

14-INCH | 13-AMP

OPERATOR'S MANUAL

A Division of Snow Joe®, LLC

Model MJ401E-PRO

Form No. SJ-MJ401E-PRO-880E-MR4

IMPORTANT! Safety Instructions

All Operators Must Read These Instructions Before Use

Always follow these safety guidelines. Failure to do so may result in serious bodily injury or death.

General Safety WARNINGS!

When using this electric lawn mower, basic safety precautions should always be followed to reduce the risk of fire, electric shock, and personal injury. These precautions include:

⚠️ WARNING! Do not operate without the entire grass catcher/side-discharge chute, discharge guard, rear guard, or other safety protective devices in place and in proper working order.

⚠️ WARNING! The use of any other accessory or attachment might increase the risk of injury.

⚠️ WARNING! To reduce the risk of injury, inspect the catcher assembly frequently and replace with recommended replacement if there are signs of wear or deterioration.

Before using the mower, take the time to familiarize yourself with the controls, especially how to stop the mower in an emergency. The only individuals who should use the mower are those who have a thorough understanding of the instructions and who know how to operate the machine. Children should never be allowed access to the mower.

Retain this manual for future reference and reread it at the start of each mowing season.

FOR DOUBLE-INSULATED LAWN MOWERS

- 1. Replacement parts** – When servicing this unit, use only identical replacement parts. Replace or repair damaged cords immediately.
- 2. Polarized plug** – Polarized appliance connections reduce the risk of electric shock. This mower has a polarized plug (one blade is wider than the other) and will require the use of a polarized extension cord. There is only one way the mower's plug will fit into a polarized extension cord. If the plug does not fit fully into the extension cord, reverse the plug. If the plug still does not fit, obtain a correct polarized

extension cord. A polarized extension cord will require the use of a polarized wall outlet. There is only one way the plug will fit into a polarized wall outlet. If the plug does not fit fully into the wall outlet, reverse the plug. If the plug still does not fit, contact a qualified electrician to install the proper wall outlet. Do not change the equipment plug, extension cord receptacle, or extension cord plug in any way.

⚠️ WARNING! Contact with moving parts may cause entanglement, dismemberment, or other serious bodily injury. Always keep body parts (i.e. hands, feet) a safe distance away from moving parts. Ensure all covers and guards are securely in place before use.

Hot surfaces (i.e. the motor) may ignite flammable or combustible items and cause a fire or explosion, which can result in serious bodily injury. Keep the mower a safe distance away from flammable or combustible items until surfaces that are hot have completely cooled. Do not store the mower near flammable or combustible items.

A damaged blade or worn blade nut may break off the mower assembly and cause serious injury. Replace the damaged blade or blade nut before using the mower.

FOR ALL LAWN MOWERS

- 1. Avoid dangerous conditions** – Do not use the mower in the rain or when the grass is damp or wet.
- 2. Keep children, bystanders, and pets away** – Always keep children and spectators a safe distance away from the mower during operation and as the machine cools.
- 3. Dress properly** – Always wear personal safety gear (i.e. glasses, rubber gloves, protective footwear, and dust masks) and proper clothing when using the mower. Loose clothing, long hair, or jewelry may get caught in the moving parts.
- 4. Use the right appliance** – Do not use the lawn mower for any applications other than those for which it was intended.
- 5. Do not force the lawn mower** – It will perform better with less likelihood of personal or mechanical injury if it is used at the rate for which it was designed.
- 6. Do not overreach** – Keep proper footing and balance at all times.
- 7. Stay alert** – Always be alert and watch what you are doing. Use common sense. Do not operate the lawn mower when you are tired or under the influence of alcohol or drugs.

8. **Disconnect the lawn mower** – Disconnect the lawn mower from the power supply when it is not in use, before servicing, when changing accessories, and when performing any other maintenance task.
9. **Store idle lawn mower indoors** – When not in use, the lawn mower should be stored indoors in a dry, locked place out of the reach of children.
10. **Maintain the lawn mower with care** – Keep cutting edges sharp and clean for best and safest performance.

Inspect the lawn mower cord periodically and if damage is found have it repaired by an authorized service facility. Extension cords should also be inspected periodically and immediately replaced if damaged. Keep handles dry, clean, and free from oil and grease.

Electrical Safety

1. Ground fault circuit interrupter (GFCI) protection should be provided on the circuit(s) or outlet(s) to be used for the lawn mower. Receptacles are available having built-in GFCI protection and may be used for this measure of safety.
2. To prevent electric shock, use only with an extension cord suitable for outdoor use, such as SW, SOW, STW, STOW, SJTW, or SJTOW.

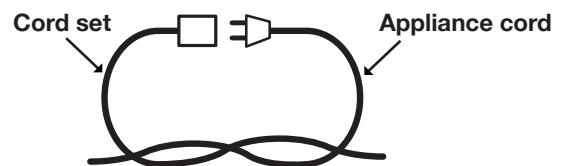
Before use, check that the extension cord is in good condition. When using an extension cord, make sure to use one heavy enough to carry the current your product will draw. An undersized cord will cause a drop in line voltage resulting in loss of power and overheating.

3. To reduce the risk of electric shock, this appliance has a polarized plug (i.e. one blade is wider than the other). Use this appliance only with a polarized, UL-listed (CSA certified in Canada) extension cord recommended for outdoor use. The appliance plug will fit into a polarized extension cord only one way.

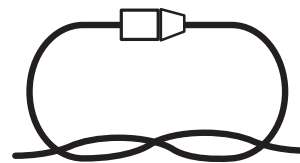
If the appliance plug does not fit fully into the extension cord, reverse the plug. If the plug still does not fit, obtain a correct polarized extension cord. A polarized extension cord will require the use of a polarized wall outlet. The extension cord plug will fit into the polarized wall outlet only one way. If the plug does not fit fully into the wall outlet, reverse the plug. If the plug still does not fit, contact a qualified electrician to install the proper wall outlet. Do not modify the appliance plug, extension cord receptacle, or extension cord plug in any way.

4. To prevent the appliance cord from disconnecting from the extension cord during operation, make a knot with the two cords as shown in Table 1.

Table 1. Method of Securing Extension Cord



(A) Tie cord as shown



(B) Connect plug and receptacle

5. Do not abuse the cord. Never pull the lawn mower by the cord or yank the cord to disconnect it from the receptacle. Keep the cord away from heat, oil, and sharp edges.

IMPORTANT! Safety Instructions for Walk-Behind Mowers

General Operation

- Read, understand, and follow all instructions on the machine and in the manual(s) before starting.
- Do not put hands or feet near or under the machine. Always stay clear of the discharge opening.
- Keep guards in place and in proper working order.
- Only responsible adults who are familiar with the instructions should be allowed to operate this machine.

WARNING

Electric shock may cause SEVERE INJURY or DEATH. Heed these warnings:

- Do not allow any part of the lawn mower to make contact with water while it is in operation. If the appliance becomes wet while turned off, wipe dry before starting.
- Use only a UL-, CSA-, or ETL-rated extension cord for outdoor, all-weather use, such as the Snow Joe®+ Sun Joe® SJTW-A 14-gauge 50-foot extension cord with lighted end (Model PJEXT50-B). Visit snowjoe.com to purchase this extension cord online or, to order by phone, call 1-866-SNOWJOE (1-866-766-9563).
- Do not use an extension cord over 100 ft (30 m).
- Do not touch the appliance or its plug with wet hands or while standing in water. Wearing rubber boots offers some protection.

EXTENSION CORD CHART

Extension Cord Length	Up to 50 ft (15 m)	+50 ft - 100 ft (+15 m - 30 m)
Wire Gauge (A.W.G.):	14	12

- Clear the mowing area of foreign objects such as rocks, wire, toys, and other miscellaneous articles, which could be picked up and thrown by the blade. Stay behind the handle when the engine (motor) is running.
- Make sure that the mowing area is clear of bystanders before starting the machine. Stop the machine if anyone enters the area.
- Do not operate the machine while barefoot or while wearing sandals. Always wear substantial footwear.
- Always look down and behind before and while moving backward with the mower.
- Never direct discharged material toward anyone. Avoid discharging material against a wall or other obstruction.
- Never leave a running machine unattended.
- Stop the engine (motor) and wait until the blade comes to a complete stop before cleaning the machine, removing the grass bag, changing accessories, or unclogging the discharge guard.
- Operate the machine only in daylight or in good artificial light.
- Do not operate the machine when you are tired or under the influence of alcohol or drugs.
- Never operate the mower in wet grass. Always be sure of your footing; walk, never run, with the mower.
- If the machine should start to vibrate abnormally, stop the engine (motor) and immediately check the machine to ascertain the cause. Vibration is generally a signal of trouble.
- Keep blades sharp.
- Keep hands and feet away from the cutting area.
- Always wear eye protection when operating the machine.
- Objects struck by the lawn mower blade can cause severe injuries. The mowing area should always be carefully examined and cleared of all objects prior to each mowing.
- If the lawn mower strikes a foreign object, follow these steps:
 - i) Stop the lawn mower by releasing the ON/OFF switch lever.
 - ii) Unplug the power cord.
 - iii) Inspect for damage.
 - iv) Repair any damage before restarting and operating the lawn mower.
- Only use identical replacement blades.

Slope Operation

Slopes are major factors related to slip and fall accidents, which can result in severe injury. Operation on all slopes requires extra caution. If you feel uneasy on a slope, do not mow it.

- Mow across the face of slopes; never mow slopes following an up and down traverse. Exercise extreme caution when changing direction on a slope.
- Watch for holes, ruts, bumps, rocks, or other hidden objects. These may cause an unexpected slip or fall.
- Do not mow on wet grass or excessively steep slopes. Poor footing could cause a slip and fall accident.
- Do not mow near drop offs, ditches, or embankments. You could lose your footing or balance.

Children

Tragic accidents can occur if the operator is not alert to the presence of children. Children are often attracted to the machine and the mowing activity. Never assume that children will remain where you last saw them.










- Keep children out of the mowing area and under the watchful care of a responsible adult other than the operator.
- Stay alert and turn the mower off if a child enters the area.
- Never let children operate the machine.
- Use extra care when approaching blind corners, shrubs, trees, or other objects that may block your view of a child.

Service

- Keep all nuts and bolts tight.
- Never tamper with safety devices. Regularly check to ensure these devices are in place and in proper working order.
- Keep the mower free from grass, leaves, or other debris buildup.
- Never make any adjustments or repairs with the engine (motor) running. Always unplug electric mowers before adjusting, cleaning, or repairing.
- Check the grass bag components and the discharge guard frequently and replace with manufacturer's recommended parts when necessary.
- Mower blades are sharp. Wrap the blade or wear gloves, and use extra caution when servicing them.
- Maintain or replace safety and instruction labels, as necessary.

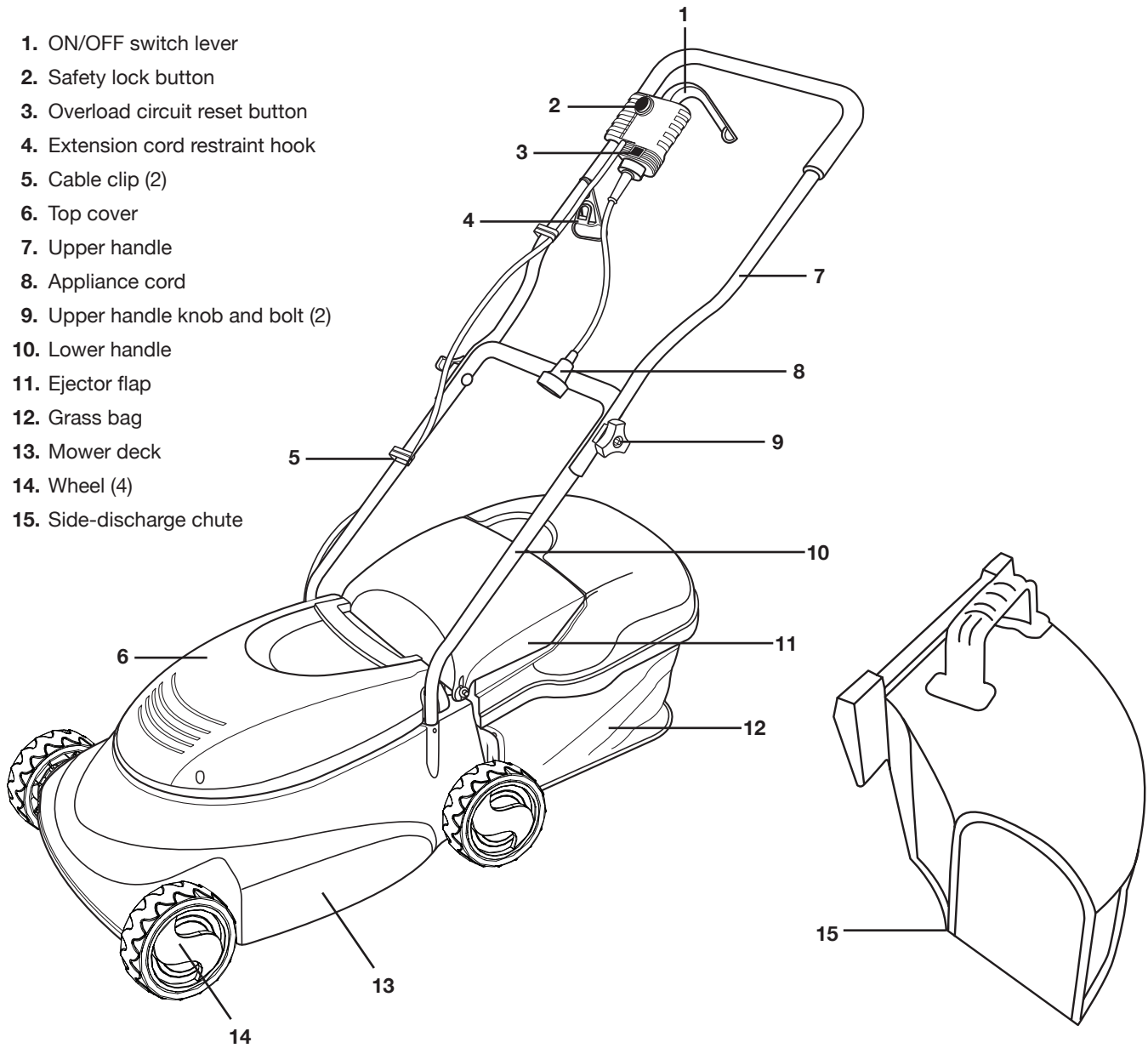
Safety Symbols

The following table depicts and describes safety symbols that may appear on this product. Read, understand, and follow all instructions on the machine before attempting to assemble and operate.

Symbols	Descriptions	Symbols	Descriptions
	CPSC Danger label.		Keep bystanders and children a safe distance away.
	Safety Alert. Caution. To reduce the risk of injury, user must read instruction manual.		Wear eye and hearing protection. For protection against injury, wear ear defenders and safety goggles.
	Slip on slope hazard – Use extra caution when mowing on slopes to prevent slip and fall accidents.		Severing of toes or fingers by rotary mower blade.
	Thrown objects and rotating blade can cause severe injury.		Use extreme caution in reverse. Always look down and behind before and while backing up.
	Double Insulation.		

Know Your Electric Lawn Mower

Read the owner's manual and safety instructions carefully before operating the mower. Compare the illustration below to the mower in order to become familiar with the location of the various controls and adjustments. Save this manual for future reference.



- 1. ON/OFF switch lever
- 2. Safety lock button
- 3. Overload circuit reset button
- 4. Extension cord restraint hook
- 5. Cable clip (2)
- 6. Top cover
- 7. Upper handle
- 8. Appliance cord
- 9. Upper handle knob and bolt (2)
- 10. Lower handle
- 11. Ejector flap
- 12. Grass bag
- 13. Mower deck
- 14. Wheel (4)
- 15. Side-discharge chute

Technical Data

Rated Voltage	120V ~ 60 Hz	Cutting Height	1.18 in. to 2.52 in. (30 mm to 64 mm)
Motor	13A	Grass Bag Capacity	10.6 gal (40 l)
No Load Speed	3500 rpm	Wheel Size	5.5 in. (14 cm)
Rotor	14 in. (35.6 cm) steel blade	Net Weight	30 lbs (13.6 kg)
Cutting Width	14 in. (35.6 cm)		

Unpacking

Carton Contents

- Electric lawn mower
- Grass bag
- Grass bag support rod
- Side-discharge chute
- Upper handle
- Upper handle knob and bolt assembly (2)
- Lower handle
- Lower handle screws (2)
- Extension cord restraint hook
- Cable clip (2)
- Spanner
- Manual and registration card

1. Carefully remove the lawn mower and check to see that all of the above items are supplied.
2. Inspect the product carefully to make sure no breakage or damage occurred during shipping. If you find damaged or missing parts, DO NOT return the unit to the store. Please call the Snow Joe® + Sun Joe® customer service department at 1-866-SNOWJOE (1-866-766-9563).

NOTE: Do not discard the shipping carton and packaging material until you are ready to use your new electric lawn mower. The packaging is made of recyclable materials. Properly dispose of these materials in accordance with local regulations.

IMPORTANT! The equipment and packaging material are not toys. Do not let children play with plastic bags, foils, or small parts. These items can be swallowed and pose a suffocation risk!

Assembly



CAUTION!



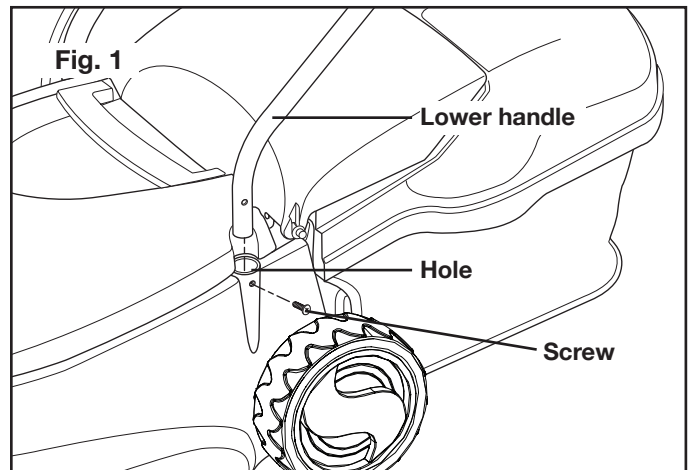
Inspect wiring, which, if damaged during shipping, may cause serious bodily injury during equipment use. If any damage is seen or suspected, do not assemble. Instead, contact Snow Joe® + Sun Joe® customer service 1-866-SNOWJOE (1-866-766-9563) for assistance.

Handle with care during assembly so that electrical wiring does not become damaged.

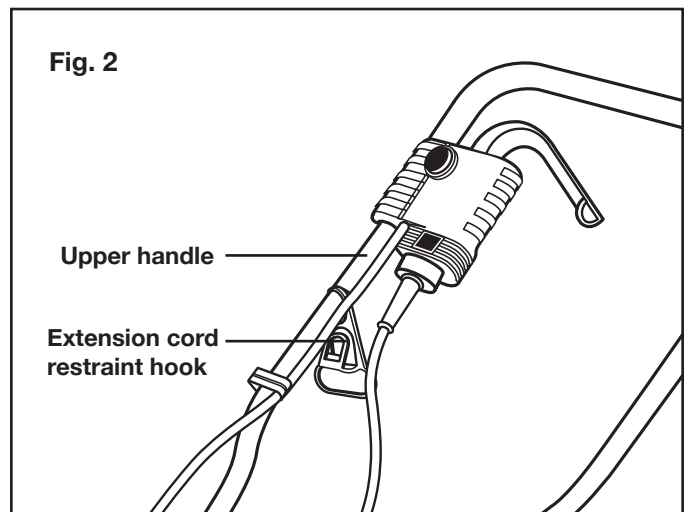
NOTE: Before using the mower, follow these instructions to assemble the handle, the grass bag, and the side-discharge chute.

Handle Assembly

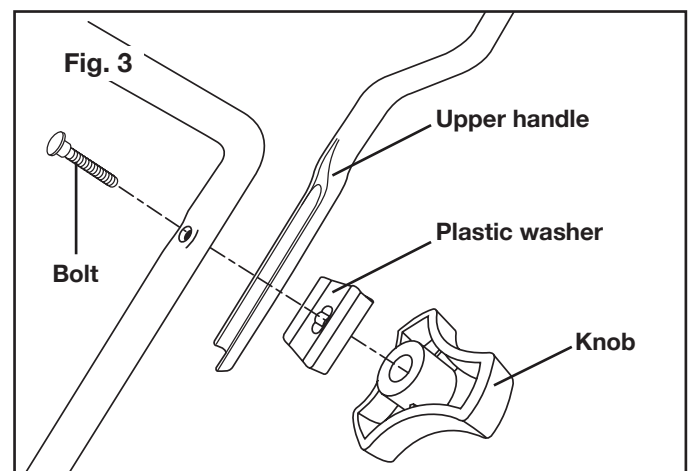
1. Fit the lower handle into the two holes in the machine body and fasten the handle on both sides with the screws provided (Fig. 1).



2. Slide the extension cord restraint hook onto the upper handle (Fig. 2).



3. Join the upper handle to the lower handle using the knob, plastic washer, and bolt provided (Fig. 3). Repeat on the opposite side.



Grass Bag Assembly + Fitting

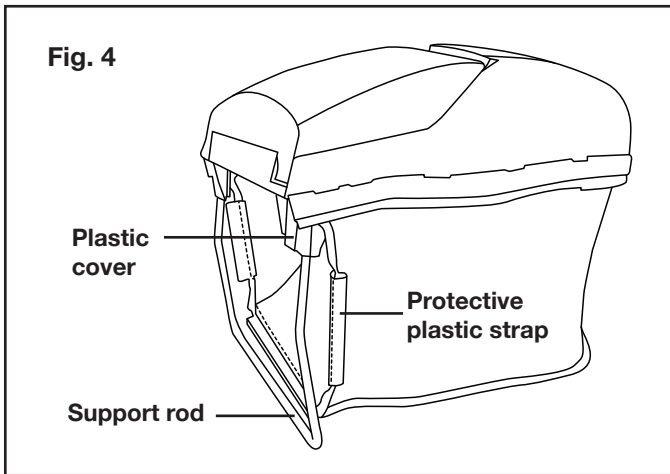


CAUTION!

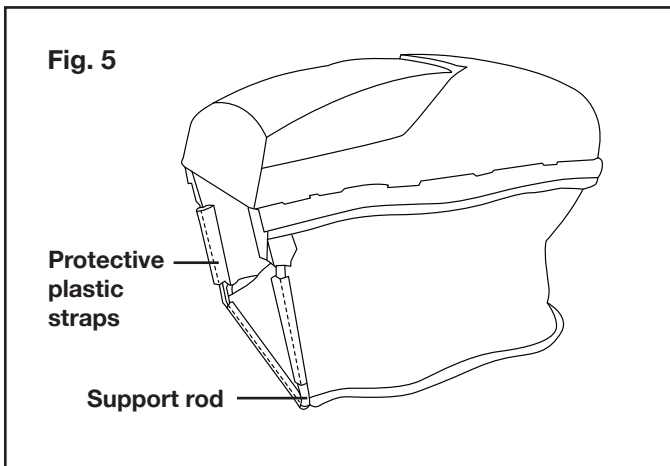


The grass bag and the side-discharge chute cannot be used together.

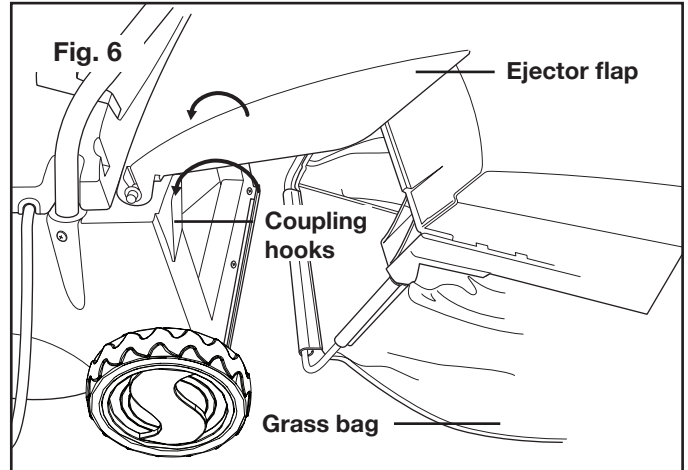
1. Fit the support rod into the holes in the plastic cover. The bend of the support rod should face the rear of the machine (Fig. 4).



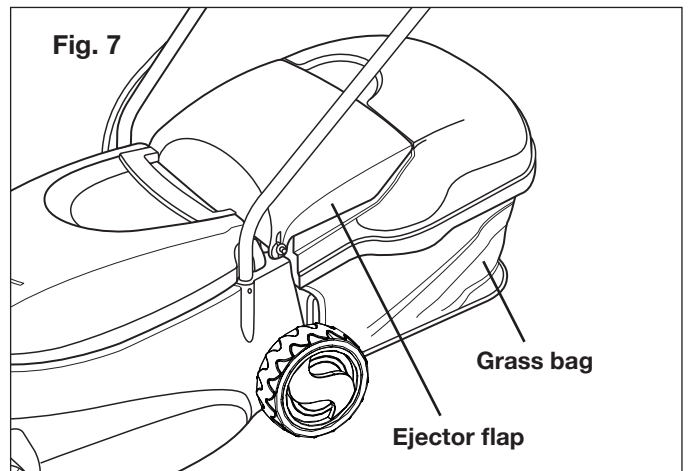
2. Place the protective plastic straps (attached to the grass bag) onto the support rod (Fig. 5).



3. Raise the spring-loaded ejector flap. Position the grass bag over the coupling hooks to the mower body (Fig. 6).



4. Release the ejector flap to secure the grass bag in position (Fig. 7).



Side-discharge Chute Assembly + Fitting

The side-discharge chute sweeps grass clippings swiftly from the cutting chamber, enabling you to cut taller grass without clogging the mower deck.

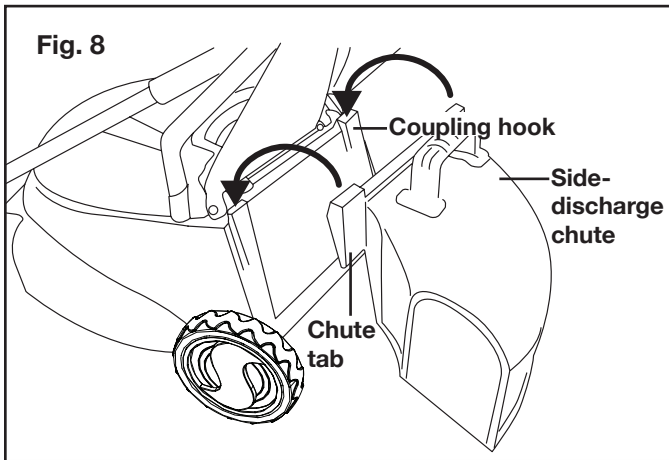


CAUTION!

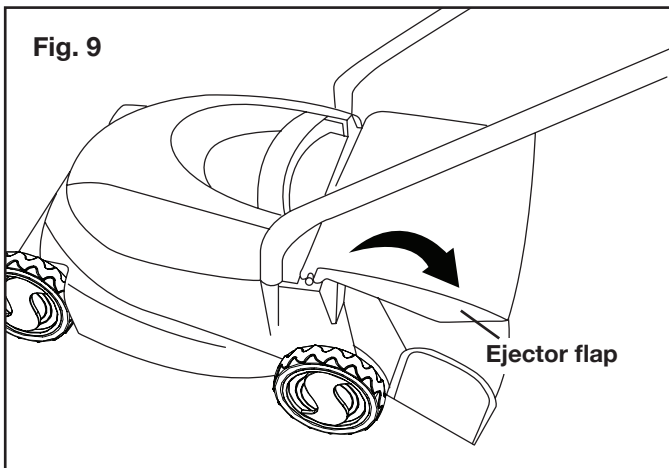


The grass bag and the side-discharge chute cannot be used together.

1. Raise the spring-loaded ejector flap. Fasten the side-discharge chute to the mower body by sliding the chute tabs onto the coupling hooks found under the ejector flap. Check to make sure the chute is securely fastened (Fig. 8).



2. Lower the ejector flap and rest it on top of the chute (Fig. 9).



Operation

This lawn mower is intended for private residential use to cut grass in small lawns and gardens. This lawn mower is not intended to cut grass in public parks, playing fields, farms, or forests. Do not use this lawn mower for any application other than that for which it is intended.

Adjusting the Cutting Height

Follow these instructions to adjust the cutting height of the lawn mower.

⚠WARNING! Before making these adjustments, disconnect the power supply to the mower and wait until the rotating blade has come to a complete standstill. Wearing gloves is recommended due to the close proximity of the cutting blade.

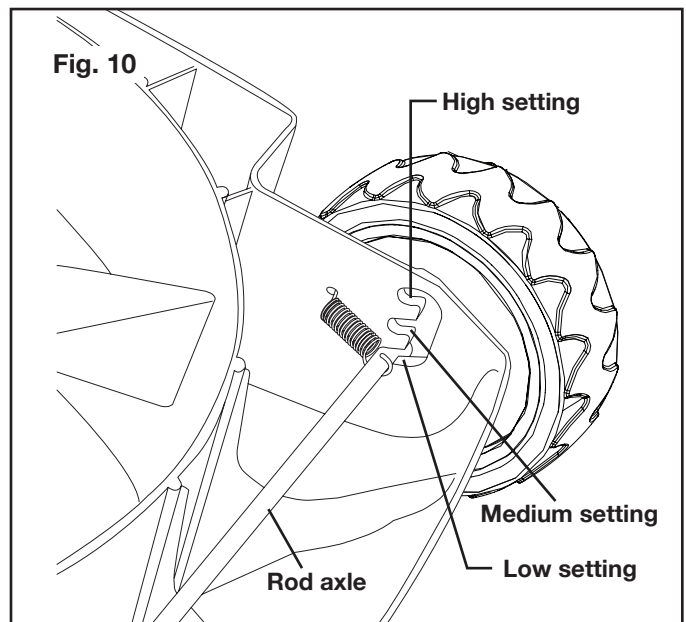
ALWAYS FOLLOW ALL SAFETY PRECAUTIONS AND RECOMMENDATIONS LISTED PREVIOUSLY IN THIS MANUAL.

1. Power off and unplug the lawn mower.
2. Remove and empty the grass bag.
3. Place the lawn mower on its side.
4. The rod axles can be placed into 3 different cutting heights: low (will cut grass the shortest), medium, and high (Fig. 10).

3-Position Height Adjustment:

1. Low: 1.18 in. (30 mm)
2. Medium: 1.93 in. (49 mm)
3. High: 2.52 in. (64 mm)

The cutting height tolerance is +/- 0.2 in. (5 mm).



5. Move all four wheels to the desired cutting height by pulling back on the rod axle and setting it to the correct position. Make sure all four wheels are at the same cutting height position. (Fig. 10).

NOTE: Set the mower to the highest cutting height when mowing on uneven ground or in tall weeds.

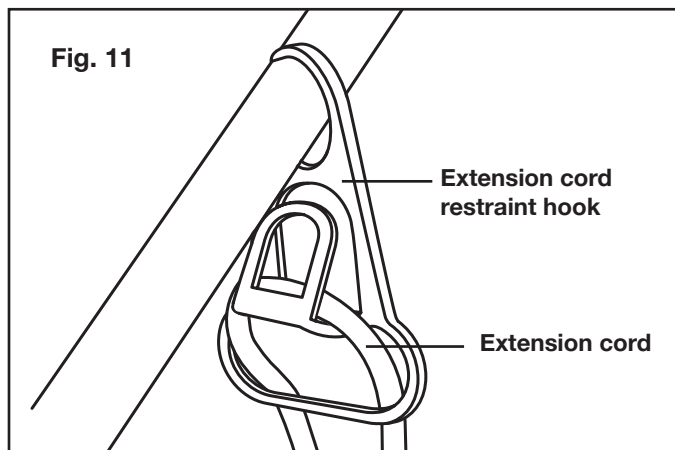
6. Place the lawn mower back on to its wheels and reattach the grass bag.
7. Reconnect the power supply to the mower and resume normal use.

Power Connection

Do not switch on the mower until it has been completely assembled. Before switching on the unit, always check the appliance cord and the extension cord for signs of damage. Use only intact cords.

⚠️WARNING! Damaged cords pose a severe risk of injury. Replace damaged cords immediately.

1. Place the unit on a level lawn surface.
2. Form a loop with the end of the extension cord and push the loop through the hole in the extension cord restraint hook. Slide the loop onto the retaining clip to secure the extension cord (Fig. 11).



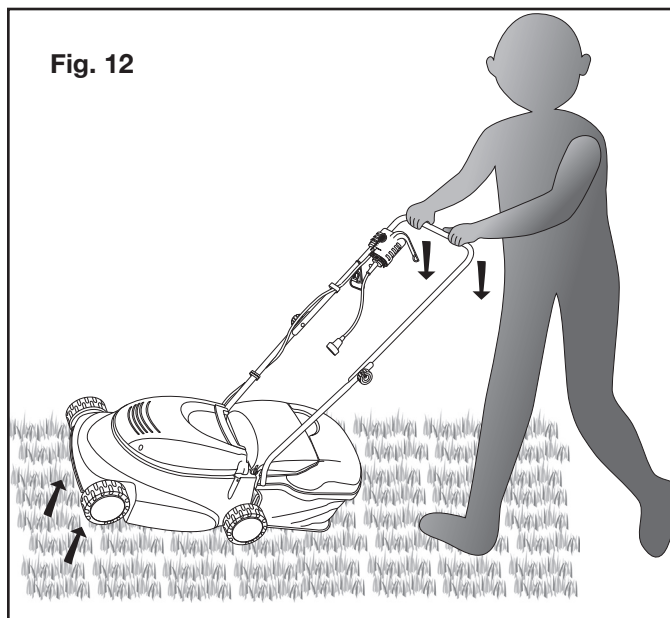
3. Plug the extension cord into the appliance cord, then connect the extension cord to the mains voltage.
NOTE: Do not plug the extension cord into the outlet until it had been secured with the extension cord restraint hook and connected to the mower's appliance cord. Only use a UL-rated extension cord for outdoor, all-weather use. Do not use an extension cord over 100 ft (30 m). See *Extension Cord Chart* on page 2.
4. Place the bulk of the extension cord on the lawn closest to the starting point.

Starting + Stopping

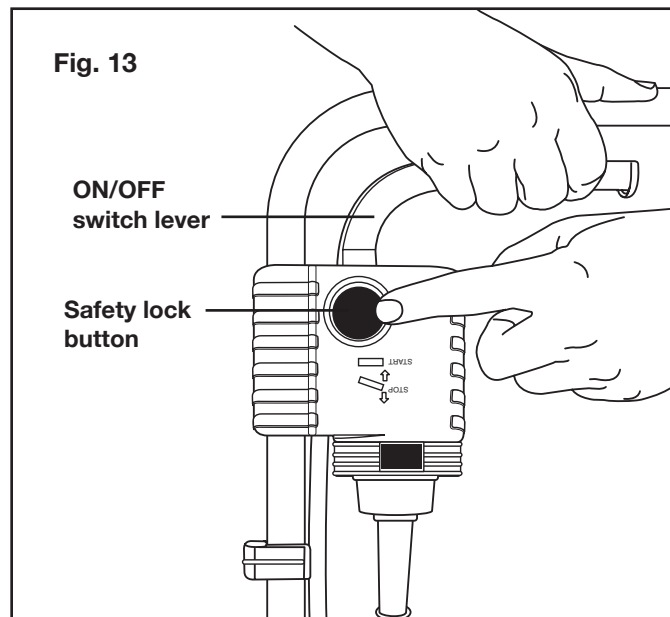
⚠️WARNING! Before switching on the mower, make sure that it is not in contact with any foreign objects. Keep your hands and feet a safe distance away from the rotating mower blade and the ejector opening. Failure to comply with these warnings can result in severe personal injury.

IMPORTANT: Do not start the mower in tall grass.

1. Before starting the electric lawn mower, hold the handle assembly with both hands and tilt the handle downwards to slightly raise the front of the mower. This will reduce the risk of lawn damage during start-up (Fig. 12).



2. To start the electric lawn mower, press and hold the safety lock button, then pull the ON/OFF switch lever toward you (Fig. 13).



- Once the machine powers on, release the safety lock button and let the motor get up to speed, gently lowering the mower down into the cutting position and start mowing (Fig. 14).

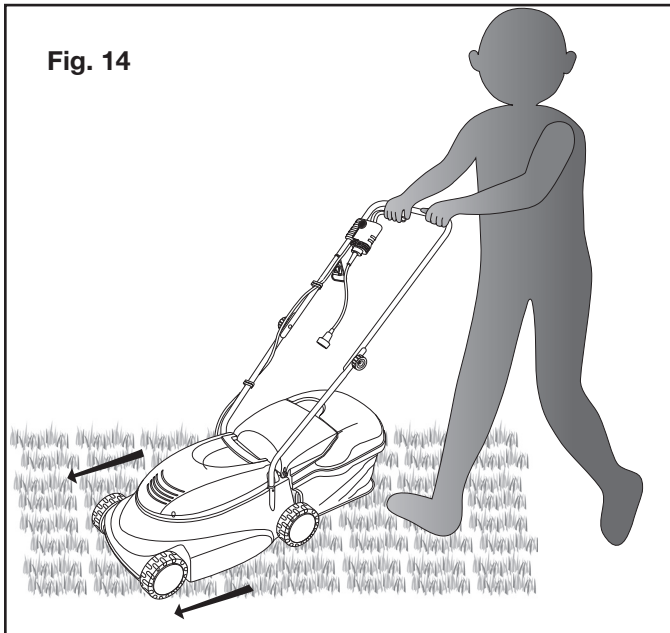


Fig. 14

- To stop the mower, release the ON/OFF switch lever.

Mowing Tips

⚠️WARNING! Inspect the area prior to mowing. Remove all the stones, sticks, wires, and other debris that might be picked up and thrown by the rotating blade.

⚠️WARNING! If you strike a foreign object, immediately stop the motor and disconnect the power cord. Thoroughly inspect the mower for any damage. Repair the damage before resuming operation.

- The directional method of operation is recommended to obtain the maximum cutting performance and to reduce the risk of the electrical extension cord entering the cutting path.
- Follow these instructions to mow the cutting area:
 - Proceed to cut as shown in Fig. 15, working from position 1 towards position 2.
 - At position 2, turn right and proceed to position 3.
 - Continue to the end of the cutting area, turn left and proceed to position 4.
 - Proceed as shown in Fig. 15, always working away from the electric extension cord.

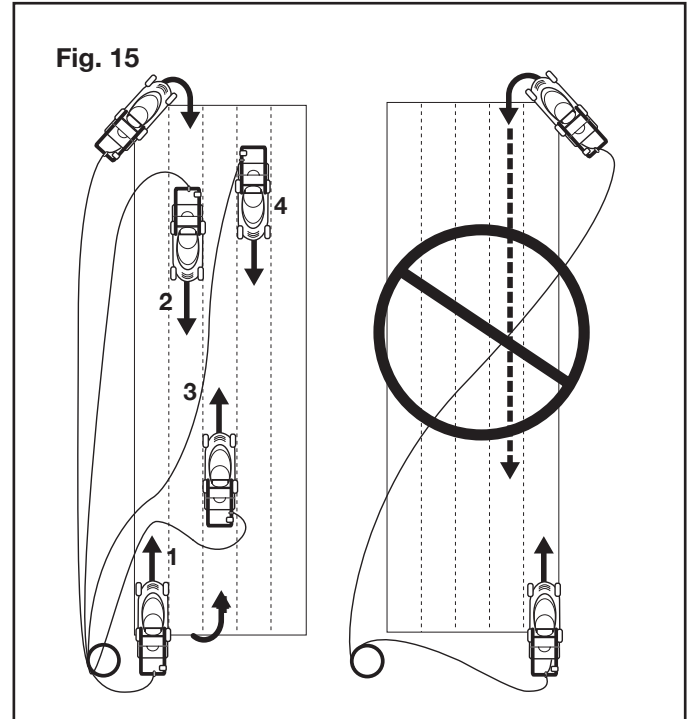


Fig. 15

IMPORTANT: The mower blade will continue to rotate as long as the ON/OFF switch lever is pulled. Do not reach inside the blade housing or attempt to lift the mower until the blade has completely stopped and the electrical supply to the mower has been disconnected.

- Be sure to check the blade periodically for signs of wear and sharpen it at least once per year, as described in the maintenance section.

NOTE: A sharp blade will greatly enhance the performance of the mower, especially when cutting tall blades of grass.

Overload Protection

The motor is equipped with a thermal switch that cuts out when the motor is overloaded and switches on again automatically after a short cool down period.

⚠️WARNING! The mower blade will continue to rotate for a brief period after the unit has been switched off. Do not tilt or carry the unit while the motor is still running and do not touch the blade while it is still rotating. Failure to comply could result in severe personal injury.

Maintenance

⚠WARNING! Before cleaning, repairing, or inspecting the mower, disconnect the power supply to the unit and verify that all moving parts have come to a complete stop.

General

- Always keep the mower clean and free of grass, dirt, or other debris.
- Keep the handles dry, clean, and free of oil and grease.
- After each cutting session, remove accumulated grass clippings and debris using either a dry cloth or handbrush. You may also clean the equipment with a damp cloth and some soft, non-abrasive soap. Do not use cleaning agents or harsh solvents as they may damage the equipment's plastic components. Make sure that no water penetrates the equipment's interior as intake of water can destroy the switch/plug mechanism and the electric motor.
- Do not clean the lawn mower with running water, particularly with high-pressure water.
- Check all nuts, bolts, and screws for proper tightness before each use.
- Frequently inspect the grass bag assembly for signs of wear and replace immediately with a genuine Snow Joe® + Sun Joe® part if damage is found.
- Replace excessively worn or damaged parts immediately.
- To maximize your mower's longevity, all screwed parts, including the wheels and axles, should be cleaned and lubricated. There are no parts inside the equipment which require additional maintenance or lubrication.

Blade Maintenance

IMPORTANT: The mower blade is sharp and can cause severe personal injury if handled incorrectly. Wrap the blade or wear protective gloves, and use extra caution when handling.

The steel blade is designed to provide a fine cut in long or tough grass. Deterioration in the quality of cut indicates blade wear or damage. Follow these steps to determine if the blade needs to be sharpened or replaced:

1. Disconnect the electrical supply to the mower.
2. Turn the mower on its side to expose the underside of the blade housing.
3. Check the blade.
 - a. If the blade is blunt or has minor wear, then sharpen. Please call Snow Joe® + Sun Joe® customer service for assistance at 1-866-SNOWJOE (1-866-766-9563).
 - b. If the blade shows signs of major wear or damage (i.e. gouged, bent), then replace. Please call Snow Joe® + Sun Joe® customer service for assistance at 1-866-SNOWJOE (1-866-766-9563).

⚠WARNING! An excessively vibrating mower indicates that the blade is not properly balanced or has become deformed from striking an object. In this case, the blade must

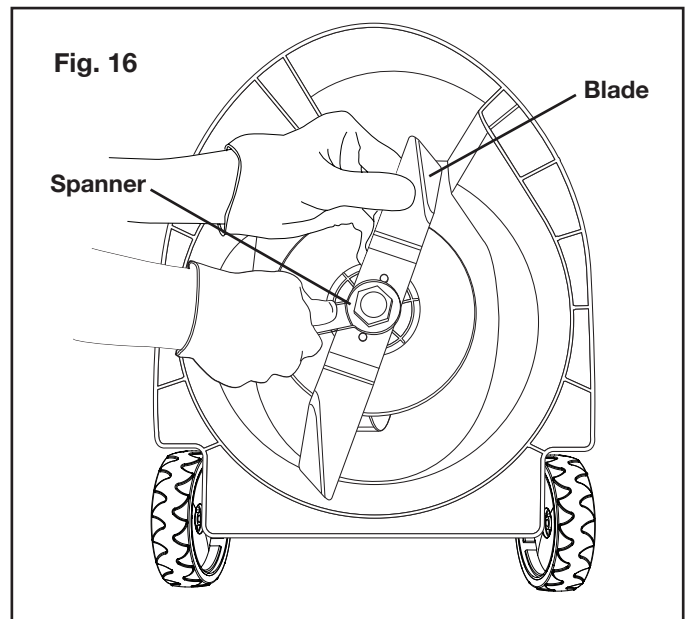
be repaired or replaced. Please follow the proper maintenance procedures for blade care or call the Snow Joe® + Sun Joe® customer service center for assistance at 1-866-SNOWJOE (1-866-766-9563).

Blade Replacement

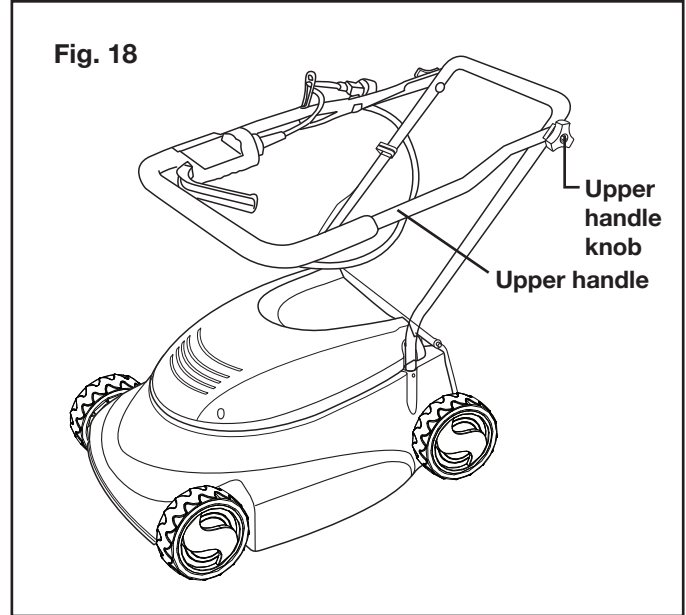
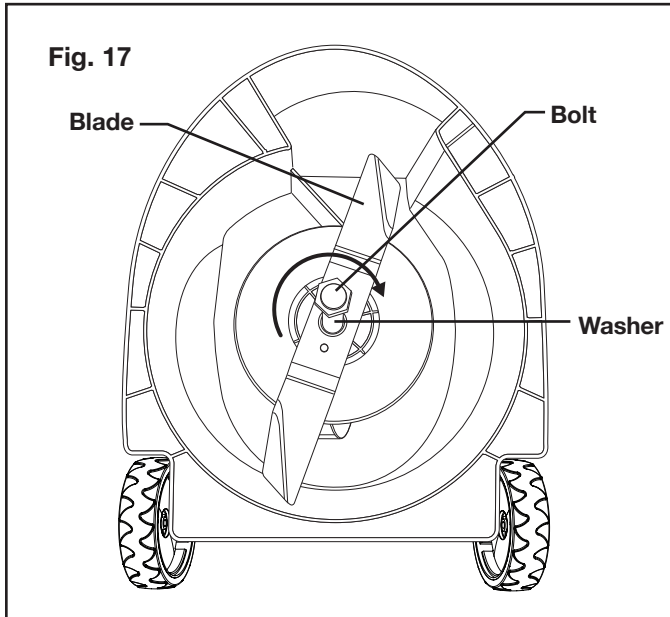
IMPORTANT: Only use original replacement parts specified for this mower.

You can purchase a replacement blade (Model MJ401E-11) and other genuine replacement parts by ordering online at snowjoe.com or, to order by phone, contact Snow Joe® + Sun Joe® customer service at 1-866-SNOWJOE (1-866-766-9563). The use of parts that do not meet the original equipment specifications may lead to improper performance of the lawn mower, may compromise operator safety, and will void the manufacturer's warranty.

1. Disconnect the electrical supply to the mower.
2. Turn the mower on its side to expose the underside of the blade housing.
3. Wear heavy-duty gloves, or use a cloth to grip the blade.
4. Using the spanner provided, remove the bolt and the washer securing the blade by turning the bolt counterclockwise, then carefully remove the blade (Fig. 16).



5. Fit the new blade, the washer and the bolt back on following the same steps in reverse order (Fig. 17).



Storage

Follow the steps below to prepare the lawn mower for storage:

1. Disconnect the power supply to the mower.
2. Clean the mower with a damp cloth or hand brush.
3. Inspect the mower carefully for worn, loose, or damaged parts. Check connections and screws and tighten if necessary. Pay special attention to the mower blade and replace/sharpen it if it shows signs of wear. Refer to the Maintenance and Care section.
4. Store the mower indoors in a dry, clean, and cool area out of the reach of children. Do not store the unit next to corrosive materials, such as fertilizer and rock salt.
5. Wipe the extension cord to remove any foreign substances, such as oil or stains. Replace the extension cord immediately if it is cut or damaged in any way.
6. Wind the cord in a series of equal loops to prevent it from tangling.
7. Do not cover the lawn mower with a solid plastic sheet. Plastic coverings trap moisture around the mower, which can damage the unit.
8. The handle on your lawn mower can be folded for compact storage. Start by loosening the handle knobs on each side of the upper handle and fold down the upper handle (Fig. 18).

Service + Support

If your Sun Joe® MJ401E-PRO electric lawn mower requires service or maintenance, please call 1-866-SNOWJOE (1-866-766-9563) for assistance.

Model + Serial Numbers

When contacting the company or reordering parts, you will need to provide the model and serial numbers of your product. These are found on the decal affixed to the housing or handle of your mower. Copy these numbers into the space provided below.

Record the following numbers from the housing or handle of your new product:

Model #: _____

Serial #: _____

The form contains two lines of input fields. The first line is for the Model number, with the example 'MJ401E-PRO' partially filled in. The second line is for the Serial number, which is currently empty.

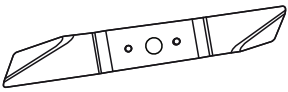
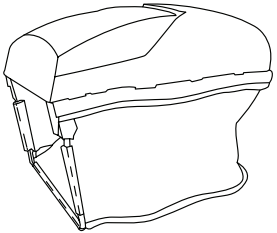
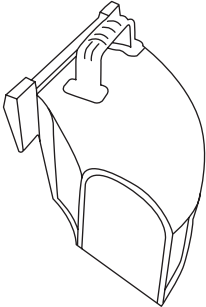
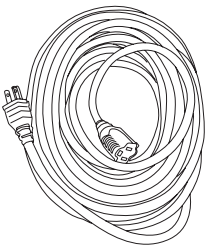
Troubleshooting

Problem	Remedy
Motor does not run	<ul style="list-style-type: none"> • Unplug the unit from the power source and check that the blade is able to rotate freely. If the mower was previously in use, let the motor cool down because the electrical brake could still be engaged. • Check mains, extension cord, and circuit-breaker (fuse) • Clean discharge channel/housing • Start mower on short grass or in a previously mowed area and tilt back • Correct the cutting height
Motor power drops	<ul style="list-style-type: none"> • Check that you are using a suitable extension cord of proper gauge and length (see Extension Cord Chart pg. 2) • Power source (e.g. generator) has too low voltage • Air vents are blocked
Motor performance drops	<ul style="list-style-type: none"> • Correct the cutting height • Clean discharge channel/housing • Replace or sharpen mowing blade (contact an authorized Snow Joe® + Sun Joe® service center)
Grass catcher not filling sufficiently	<ul style="list-style-type: none"> • Correct the cutting height • Allow the lawn to dry • Clean the grille on the grass collection bag • Clean the discharge channel/housing

Only a company specialist may be able to correct faults that cannot be rectified with the aid of this table. Please call the Snow Joe® + Sun Joe® customer service center at 1-866-SNOWJOE (1-866-766-9563).

Accessories

⚠️ WARNING! ALWAYS use only authorized Snow Joe® + Sun Joe® replacement parts and accessories. NEVER use replacement parts or accessories that are not intended for use with this tool. Contact Snow Joe® + Sun Joe® if you are unsure whether it is safe to use a particular replacement part or accessory with your tool. The use of any other attachment or accessory can be dangerous and could cause injury or mechanical damage.

Accessories	Item	Model
<p>①</p> 	<p>14-inch (35.6 cm) mower blade</p>	<p>MJ401E-11</p>
<p>②</p> 	<p>10.6-gallon (40 l) grass bag</p>	<p>MJ401E-10</p>
<p>③</p> 	<p>Lawn Mower Side-Discharge Chute Accessory</p>	<p>MJ401E-DCA</p>
<p>④</p> 	<p>Snow Joe® + Sun Joe® SJTW-A 14-gauge 50-foot extension cord with lighted end</p>	<p>PJEXT50-B</p>

NOTE: Accessories are subject to change without any obligation on the part of Snow Joe® + Sun Joe® to provide notice of such changes. Accessories can be ordered online at sunjoe.com or via phone by contacting the Snow Joe® + Sun Joe® customer service center at 1-866-SNOWJOE (1-866-766-9563).



SNOW JOE® + SUN JOE® CUSTOMER PROMISE

ABOVE ALL ELSE, Snow Joe, LLC (“Snow Joe”) is dedicated to you, our customer. We strive to make your experience as pleasant as possible. Unfortunately, there are times when a Snow Joe®, Sun Joe®, or Aqua Joe® product (“Product”) does not work or breaks under normal operating conditions. We think it’s important that you know what you can expect from us. That’s why we have a Limited Warranty (“Warranty”) for our Products.

OUR WARRANTY:

Snow Joe warrants new, genuine, powered and non-powered Products to be free from defects in material or workmanship when used for ordinary household use for a period of two years from the date of purchase by the original, end-user purchaser when purchased from Snow Joe or from one of Snow Joe’s authorized sellers with proof of purchase. Because Snow Joe is unable to control the quality of its Products sold by unauthorized sellers, unless otherwise prohibited by law, this Warranty does not cover Products purchased from unauthorized sellers. If your Product does not work or there’s an issue with a specific part that is covered by the terms of this Warranty, Snow Joe will elect to either (1) send you a free replacement part, (2) replace the Product with a new or comparable product at no charge, or (3) repair the Product. How cool is that!

This Warranty gives you specific legal rights, and you may also have other rights which vary from State to State.

PRODUCT REGISTRATION:

Snow Joe strongly encourages you to register your Product. You can register online at snowjoe.com/register, or by printing and mailing in a registration card available online from our website, or calling our Customer Service Department at **1-866-SNOWJOE (1-866-766-9563)**, or by e-mailing us at help@snowjoe.com. Failure to register your Product will not diminish your warranty rights. However, registering your Product will allow Snow Joe to better serve you with any of your customer service needs.

WHO CAN SEEK LIMITED WARRANTY COVERAGE:

This Warranty is extended by Snow Joe to the original purchaser and original owner of the Product.

WHAT IS NOT COVERED?

This Warranty does not apply if the Product has been used commercially or for non-household or rental applications. This Warranty also does not apply if the Product was purchased from an unauthorized seller. This Warranty also does not cover cosmetic changes that do not affect performance. Wearing parts like belts, augers, chains and tines are not covered under this Warranty, and can be purchased at snowjoe.com or by calling **1-866-SNOWJOE (1-866-766-9563)**.



MANUAL DEL OPERADOR

SP

PODADORA DE CÉSPED ELÉCTRICA CON CONDUCTO DE DESCARGA LATERAL

35.6 CM | 13 A

Una división de Snow Joe®, LLC

Modelo MJ401E-PRO

Forma No. SJ-MJ401E-PRO-880S-MR4

¡IMPORTANTE! Instrucciones de seguridad

Todos los operadores deberán leer estas instrucciones antes del uso

Siga siempre estas normas de seguridad. El no hacerlo podría resultar en lesiones corporales severas o incluso la muerte.

¡ADVERTENCIAS generales de seguridad!

Usted debe tomar precauciones básicas de seguridad siempre que use esta podadora de césped eléctrica para reducir el riesgo de incendio, choque eléctrico y daños personales. Estas precauciones incluyen:

⚠ ¡ADVERTENCIA! No la opere sin todo el receptor de césped/ conducto de descargas, protector contra descargas, protector posterior o cualquier otro dispositivo protector de seguridad en su lugar y funcionando apropiadamente.

⚠ ¡ADVERTENCIA! El uso de cualquier otro accesorio o acoplamiento podría aumentar el riesgo de lesiones.

⚠ ¡ADVERTENCIA! Para reducir el riesgo de lesiones, inspeccione frecuentemente el ensamblado colector y reemplácelo con las partes recomendadas si es que presenta signos de desgaste o deterioro.

Antes de usar la podadora, tómese el tiempo para familiarizarse con los controles, sobre todo con la forma de detener la podadora en caso de emergencia. Las únicas personas que deben usar la podadora son aquellas que tengan un entendimiento completo de las instrucciones y sepan cómo operarla. Los niños nunca deben tener acceso a la podadora.

Conserve este manual para futuras referencias y vuélvalo a leer al inicio de cada temporada de poda.

PARA PODADORAS DE CÉSPED DE DOBLE AISLAMIENTO

1. **Partes de repuesto:** al reparar la podadora, utilice solamente partes de repuesto idénticas. Reemplace o repare los cables dañados inmediatamente.

2. **Enchufe polarizado:** las conexiones polarizadas de artefactos reducen el riesgo de choque eléctrico. Esta podadora tiene un enchufe polarizado (una pata es más ancha que la otra) y requerirá el uso de un cable de extensión polarizado. Solo hay una forma de que el enchufe de la podadora encaje en la conexión de un cable de extensión polarizado. Si el enchufe no entra por completo dentro del receptáculo del cable de extensión, invierta las clavijas del enchufe. Si el enchufe aún no encaja, obtenga un cable de extensión polarizado correcto. Un cable de extensión polarizado requerirá el uso de un tomacorriente polarizado. Solo hay una forma en la que el enchufe encajará en un tomacorriente polarizado de pared. Si el enchufe no entra por completo dentro del tomacorriente de la pared, invierta las clavijas del enchufe. Si el enchufe aún no encaja, contacte a un electricista calificado para la instalación del tomacorriente de pared apropiado. No cambie o altere el enchufe del equipo, ni el receptáculo ni el enchufe del cable de extensión en ninguna forma.

⚠ ¡ADVERTENCIA! El contacto con las partes móviles puede causar enredos, pérdida de miembros u otras lesiones corporales severas. Mantenga siempre las partes del cuerpo (p. ej., manos, pies) a una distancia segura de las partes móviles. Asegúrese de que todas las cubiertas y protecciones estén bien colocadas en su lugar antes del uso.

Las superficies calientes (es decir, el motor) pueden encender objetos inflamables o combustibles y causar un incendio o explosión, que puede resultar en lesiones corporales severas. Mantenga la podadora a una distancia segura lejos de objetos inflamables o combustibles hasta que las superficies que estén calientes se hayan enfriado por completo. No almacene la podadora cerca de objetos inflamables o combustibles.

Una cuchilla dañada o tuerca de cuchilla gastada puede desprenderse del ensamblado de la podadora y causar lesiones severas. Reemplace la cuchilla dañada o tuerca gastada antes de usar la podadora.

PARA TODAS LAS PODADORAS DE CÉSPED

1. **Evite las condiciones peligrosas:** no use la podadora bajo la lluvia o cuando el césped esté húmedo o mojado.

2. **Mantenga alejados a los niños, espectadores y mascotas:** mantenga siempre a los niños, espectadores y mascotas a una distancia segura de la podadora mientras está en funcionamiento y mientras se esté enfriando.
3. **Vístase apropiadamente:** utilice siempre equipos de protección personal (por ejemplo gafas, guantes de hule, calzado protector y máscara antipolvo) y una vestimenta adecuada al usar la podadora. Las vestimentas holgadas, el pelo largo o la joyería pueden engancharse en las partes móviles.
4. **Use el artefacto correcto:** no use la podadora de césped para cualquier otra aplicación que no sea una de aquellas para las cuales fue diseñada.
5. **No fuerce la podadora:** tendrá un mejor funcionamiento con menos probabilidades de lesiones personales o fallas mecánicas si es usada a la velocidad para la cual fue diseñada.
6. **No se sobreextienda:** mantenga con sus pies balance y posición adecuados durante todo el tiempo.
7. **Manténgase alerta:** esté siempre alerta y vea lo que está haciendo. Utilice su sentido común. No opere la podadora de césped si usted está cansado o bajo la influencia del alcohol u otras drogas.
8. **Desconecte la podadora de césped:** desconecte la podadora de césped de la fuente de alimentación cuando no esté siendo usada, antes de repararla, al cambiar accesorios y al realizar cualquier otra tarea de mantenimiento.
9. **Guarde la podadora de césped inactiva bajo techo:** cuando no esté siendo usada, la podadora de césped debe guardarse bajo techo, en un lugar seco, bajo llave y lejos del alcance de los niños.
10. **Cuide su podadora:** mantenga las cuchillas afiladas y limpias para el mejor y más seguro funcionamiento.
 Inspeccione el cable de la podadora de forma periódica y si está dañado hágalo reparar en un centro de servicio autorizado. Los cables de extensión deben también ser inspeccionados de forma periódica y reemplazados inmediatamente si están dañados. Mantenga los mangos secos, limpios y sin aceite o grasa.

Seguridad eléctrica

1. Un interruptor de circuito de falla de conexión a tierra (GFCI) deberá proteger al(a los) circuito(s) o tomacorriente(s) a ser utilizado(s) para la podadora. Hay receptáculos disponibles con protección incorporada GFCI y pueden ser utilizados para esta medida de seguridad.
2. Para evitar un choque eléctrico, úsela solo con un cable de extensión adecuado para uso en exteriores, tal como SW, SOW, STW, STOW, SJTW ó SJTOW.
 Antes del uso, verifique que el cable de extensión esté en buenas condiciones. Al usar un cable de extensión, asegúrese de que sea lo suficientemente fuerte para poder transportar toda la electricidad que su equipo consumirá. Un cable de extensión demasiado fino

causará una caída de tensión en la línea produciendo pérdida de potencia y recalentamiento.



ADVERTENCIA



Un choque eléctrico puede causar DAÑOS SEVEROS o MUERTE. Tenga en cuenta estas advertencias:

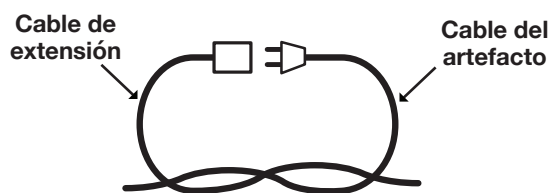
- No deje que ninguna parte de la podadora de césped haga contacto con el agua mientras esté funcionando. Si el artefacto se moja mientras está apagado, séquelo antes de encenderlo.
- Use solo un cable de extensión aprobado por UL, CSA o ETL recomendado para uso en exteriores y todo tipo de clima, tal como el cable de extensión de 50 pies y calibre 14 SJTW-A de Snow Joe®+ Sun Joe® con extremo iluminado (modelo PJEXT50-B). Visite snowjoe.com para comprar este cable de extensión, o pídale llamando por teléfono al 1-866-SNOWJOE (1-866-766-9563).
- No use un cable de extensión de más de 100 pies (30 m).
- No toque el artefacto o su enchufe con las manos húmedas, o mientras esté parado sobre agua. Usar botas de hule le dará un poco de protección.

TABLA DE CABLES DE EXTENSIÓN

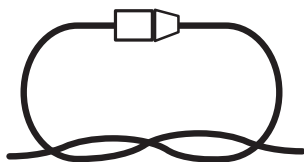
Longitud de cable de extensión	Hasta 50 pies (15 m)	+50 pies - 100 pies (+15 m - 30 m)
Calibre de alambre mínimo (AWG):	14	12

3. Para reducir el riesgo de un choque eléctrico, este artefacto posee un enchufe polarizado (es decir una pata es más ancha que la otra). Use este artefacto solo con un cable de extensión de enchufe polarizado, aprobado por UL (certificado por CSA en Canadá) y recomendado para uso de en exteriores. El enchufe del artefacto encajará en el receptáculo del cable de extensión polarizado solo de una manera.
 Si el enchufe del artefacto no entra por completo dentro del receptáculo del cable de extensión, invierta las clavijas del enchufe. Si el enchufe aún no encaja, obtenga un cable de extensión polarizado correcto. Un cable de extensión polarizado requerirá el uso de un tomacorriente polarizado. El enchufe del cable de extensión encajará en el tomacorriente polarizado de la pared solo de una manera. Si el enchufe no entra por completo dentro del tomacorriente de la pared, invierta las clavijas del enchufe. Si el enchufe aún no encaja, contacte a un electricista calificado para la instalación del tomacorriente de pared apropiado. No modifique en forma alguna el enchufe del artefacto, ni el receptáculo del cable de extensión ni el enchufe del cable de extensión.
4. Para evitar que el cable del artefacto se desconecte del cable de extensión al usarlo haga un nudo con los dos cables tal como se muestra en la Tabla 1.

Tabla 1. Método para asegurar el cable de extensión



(A) Ate el cable como se indica



(B) Conecte el enchufe y el receptáculo

5. No maltrate el cable. Nunca jale la podadora de césped por su cable ni tire de éste para desconectarla del enchufe. Mantenga el cable alejado del calor, aceite y bordes filosos.

¡IMPORTANTE! Instrucciones de seguridad para podadoras de rodadura

Operación general

- Lea, entienda y obedezca todas las instrucciones en la máquina y en el(los) manual(es) antes de empezar a operar la podadora de rodadura.
- No ponga sus manos o pies cerca o debajo de la máquina. Manténgase siempre alejado de la abertura de descarga.
- Mantenga los protectores en su lugar y funcionando apropiadamente.
- Solo adultos responsables familiarizados con las instrucciones deberán estar autorizados a operar esta máquina.
- Limpie el área para podar de objetos extraños como rocas, alambres, juguetes y otros objetos diversos que puedan ser recogidos y arrojados por las cuchillas. Manténgase detrás del mango cuando el motor esté funcionando.
- Asegúrese de que el área de podado esté libre de espectadores o transeúntes antes de encender la máquina. Detenga la máquina si alguien entra al área.
- No opere la máquina descalzo o usando sandalias. Use siempre calzado protector.
- Siempre mire hacia abajo y hacia atrás antes y durante el movimiento en reversa de la podadora.
- Nunca arroje material directamente hacia nadie. Evite arrojar material contra paredes u otras obstrucciones.
- Nunca deje una máquina encendida sin atender.

- Detenga el motor y espere a que las cuchillas se detengan por completo antes de limpiar la máquina, retirar el receptor de césped, cambiar accesorios o desobstruir el protector contra descargas.
- Opere la podadora solo bajo luz diurna o luz artificial apropiada.
- No opere la podadora si usted está cansado o bajo la influencia del alcohol o las drogas.
- Nunca opere la podadora sobre césped mojado. Siempre esté atento a dónde esté pisando. Camine, nunca corra con la podadora.
- Si la podadora empieza a vibrar de manera anormal, detenga el motor e inspeccione la podadora inmediatamente para determinar la causa. Las vibraciones generalmente son señales de problemas.
- Mantenga las cuchillas afiladas.
- Mantenga las manos y los pies lejos del área de corte.
- Utilice siempre protección ocular al operar la podadora.
- Los objetos arrojados por la cuchilla de la podadora de césped pueden causar lesiones graves. Se debe siempre examinar cuidadosamente el área a podarse y retirar todos los objetos antes del podado.
- Si la podadora de césped golpea un objeto extraño, siga estas instrucciones:
 - i) Detenga la podadora soltando la barra interruptora de encendido/apagado.
 - ii) Desenchufe el cable de alimentación.
 - iii) Inspeccione la unidad en busca de daños.
 - iv) Repare cualquier daño antes de volver a encender la podadora.
- Use solo cuchillas de repuesto idénticas.

Operación en pendientes

Las pendientes son factores importantes relacionados a los accidentes de resbalones y caídas, los cuales pueden resultar en lesiones severas. La operación en todas las pendientes requiere mucho cuidado. Si no se siente seguro en una pendiente, no la pade.

- En la pendiente, siempre pade el césped de forma lateral. Nunca pade pendientes siguiendo una ruta trasversal de arriba a abajo. Tenga mucho cuidado al cambiar de dirección en una pendiente.
- Esté atento a los hoyos, surcos, baches, rocas u otros objetos ocultos. Éstos pueden causar un inesperado resbalón o caída.
- No pade sobre césped mojado o pendientes demasiado inclinadas. Una mala postura puede causar un accidente de resbalo y caída.
- No pade cerca de laderas, zanjas o terraplenes. Usted puede perder su postura o equilibrio.

Niños

Pueden ocurrir accidentes trágicos si el operador no está alerta de la presencia de niños. Los niños son generalmente atraídos a la máquina y a la actividad de podar. Nunca asuma que los niños permanecerán en donde usted los vio por última vez.










- Mantenga a los niños lejos del área de poda y bajo la estricta vigilancia de un adulto responsable que no sea el operador.
- Esté siempre atento y apague la podadora si un niño entra en el área.
- Nunca permita que los niños operen la máquina.
- Tenga especial cuidado al acercarse a esquinas ciegas, arbustos, árboles u otros objetos que puedan obstaculizar la visión de un niño.

Servicio

- Mantenga ajustados todos los pernos y tuercas.
- Nunca manipule los dispositivos de seguridad. Inspecciónelos regularmente para asegurarse de que estén en su lugar y funcionando apropiadamente.
- Mantenga la podadora libre de césped, hojas y otra acumulación de residuos.
- Nunca efectúe ningún ajuste o reparación con el motor encendido. Desenchufe siempre la podadora antes de ajustarla, limpiarla o repararla.
- Verifique los componentes de la bolsa y protector de descargas frecuentemente y reemplácelos con partes recomendadas por el fabricante cuando sea necesario.
- Las cuchillas de la podadora están afiladas. Envuelva la cuchilla o use guantes. Tenga especial cuidado al reparar las cuchillas.
- Mantenga o reemplace las etiquetas de seguridad y de instrucción, de ser necesario.

Símbolos de seguridad

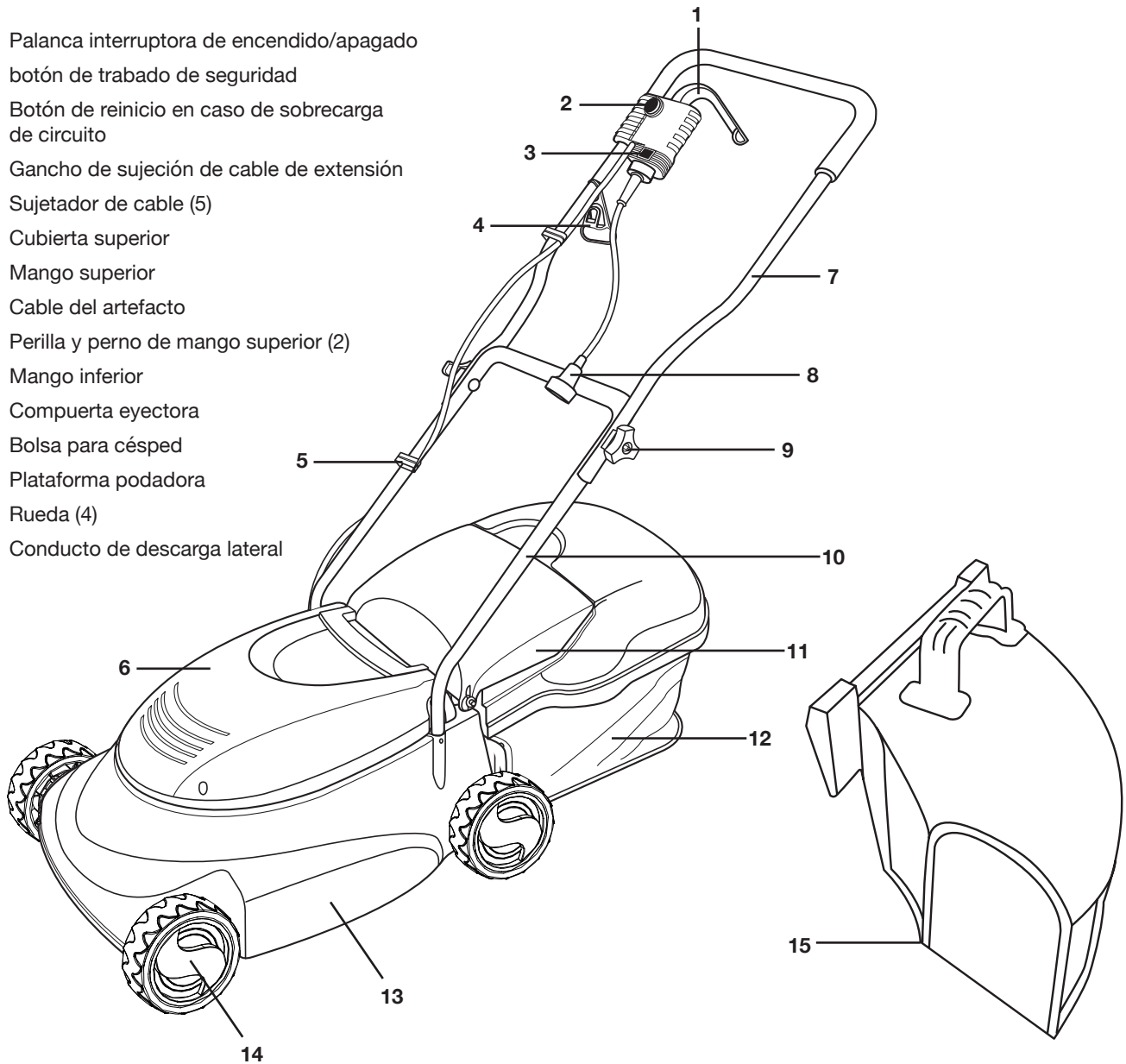
La siguiente tabla muestra y describe los símbolos de seguridad que pueden aparecer en este producto. Lea, comprenda y siga todas las instrucciones relacionadas a la unidad antes de intentar ensamblarla y operarla.

Símbolo	Descripción	Símbolo	Descripción
	Etiqueta de peligro CPSC.		Mantenga a los transeúntes y niños alejados a una distancia segura.
	Alerta de seguridad. Precaución. Para reducir el riesgo de lesiones, el usuario debe leer el manual de instrucciones.		Use protección para sus ojos y oídos. Para evitar lesiones, use protectores para los oídos y gafas de seguridad.
	Peligro de resbalo en pendientes: tenga extremo cuidado al podar en pendientes para evitar resbalar y caer.		Amputación de dedos de pies o manos por cuchilla giratoria de podadora.
	Los objetos arrojados y la cuchilla giratoria pueden causar lesiones severas.		Tenga extremo cuidado al retroceder. Mire siempre hacia abajo y atrás antes y durante el retroceso.
	Doble aislamiento.		

Conozca su podadora de césped eléctrica

Lea detenidamente el manual del propietario y las instrucciones de seguridad antes de operar la podadora. Compare la ilustración debajo con la podadora para familiarizarse con la ubicación de los diversos controles y ajustes. Guarde este manual para futuras referencias.

1. Palanca interruptora de encendido/apagado
2. botón de trabado de seguridad
3. Botón de reinicio en caso de sobrecarga de circuito
4. Gancho de sujeción de cable de extensión
5. Sujetador de cable (5)
6. Cubierta superior
7. Mango superior
8. Cable del artefacto
9. Perilla y perno de mango superior (2)
10. Mango inferior
11. Compuerta eyectora
12. Bolsa para césped
13. Plataforma podadora
14. Rueda (4)
15. Conducto de descarga lateral



Datos técnicos

Voltaje nominal	120 V ~ 60 Hz	Altura de corte	1.18 plg a 2.52 plg (30 mm a 64 mm)
Motor	13 A	Capacidad de bolsa recolectora	10.6 gal (40 l)
Velocidad sin carga	3,500 rpm	Tamaño de rueda	5.5 plg (14 cm)
Rotor	Cuchilla de acero de 14 plg (35.6 cm)	Peso Neto	30 lb (13.6 kg)
Ancho de corte	14 plg (35.6 cm)		

Desembalaje

Contenido del paquete

- Podadora de césped eléctrica
- Bolsa para césped
- Vara de soporte de bolsa recolectora de césped
- Conducto de descarga lateral
- Mango superior
- Ensamblado de perilla y perno de mango inferior (2)
- Mango inferior
- Tornillos de mango inferior (2)
- Gancho de sujeción de cable de extensión
- Gancho de cable (2)
- Llave
- Manual y tarjeta de registro

1. Retire cuidadosamente la podadora de césped y compruebe que todos los artículos anteriores estén suministrados.
2. Inspeccione cuidadosamente el producto para asegurarse de que no haya ocurrido ningún daño o ruptura durante el transporte. Si alguna parte está dañada o extraviada, NO DEVUELVA la unidad a la tienda. Comuníquese con la central de servicio al cliente Snow Joe® + Sun Joe® llamando al 1-866-SNOWJOE (1-866-766-9563).

NOTA: no se deshaga de la caja de transporte ni del material de embalaje hasta que usted esté listo para usar su podadora de césped eléctrica. El empaquetado está hecho de materiales reciclables. Deseche estos materiales en conformidad a los reglamentos locales.

¡IMPORTANTE! El equipo y los materiales de embalaje no son juguetes. No deje que los niños jueguen con bolsas plásticas, láminas o partes pequeñas. ¡Estos objetos pueden ser tragados y representan un riesgo de asfixia!

Ensamblado



¡PRECAUCIÓN!



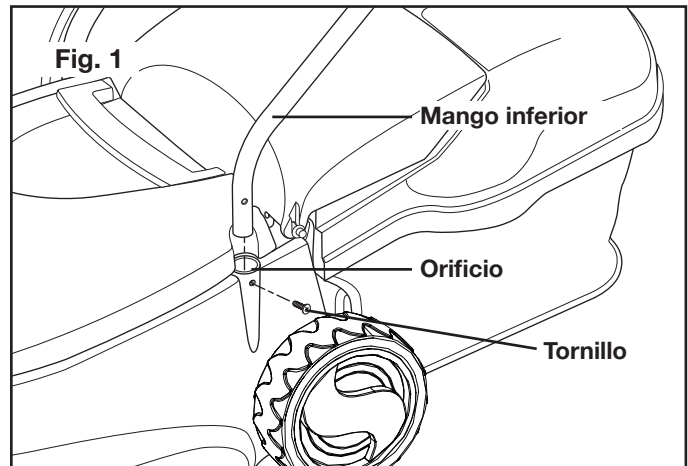
Inspeccione el cableado; el cual, de haber sido dañado durante el transporte, puede causar lesiones severas a su cuerpo durante el uso del equipo. Si se detecta o sospecha algún daño, no ensamble el artefacto. En su lugar, contacte al centro de servicio al cliente Snow Joe® + Sun Joe® llamando al 1-866-SNOWJOE (1-866-766-9563) para obtener ayuda.

Ensamble el artefacto cuidadosamente, de tal manera que el cableado eléctrico no se dañe.

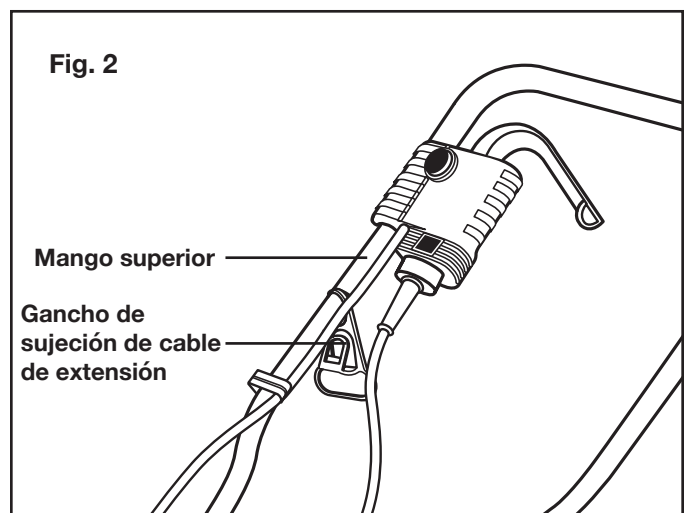
NOTA: antes de usar la podadora siga estas instrucciones para ensamblar el mango, la bolsa para césped y el conducto de descarga lateral.

Ensamblado de mango

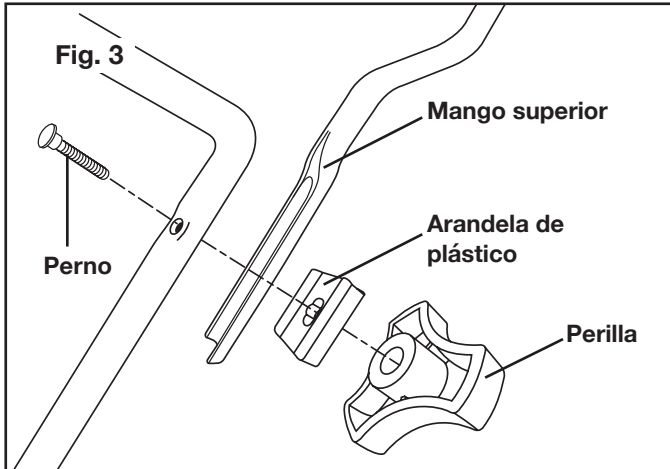
1. Coloque el mango inferior dentro de los dos orificios en el cuerpo de la máquina y ajuste el mango en ambos lados con los tornillos proporcionados (Fig. 1).



2. Deslice el gancho de restricción para el cable de extensión por sobre el mango superior (Fig. 2).



3. Junte el mango superior al mango inferior usando la perilla, arandela de plástico y perno suministrados (Fig. 3). Repita en el lado opuesto.



Ensamblado y colocación de la bolsa para césped

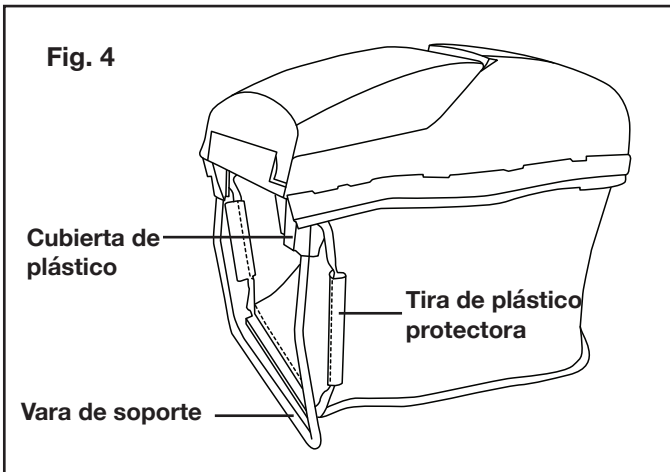


¡PRECAUCIÓN!

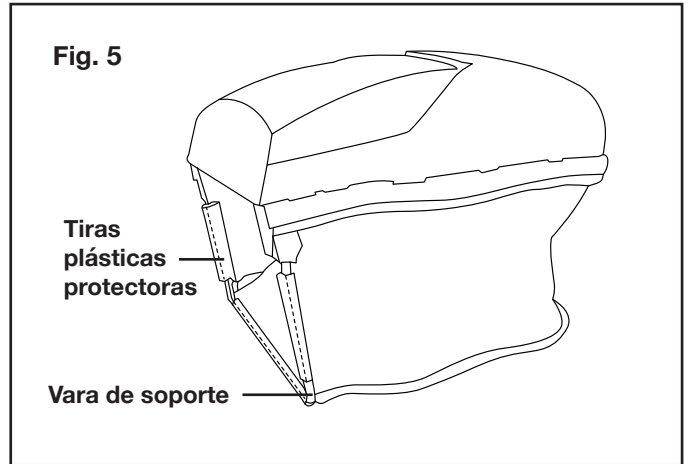


La bolsa para césped y el conducto de descarga lateral no pueden ser usados en conjunto.

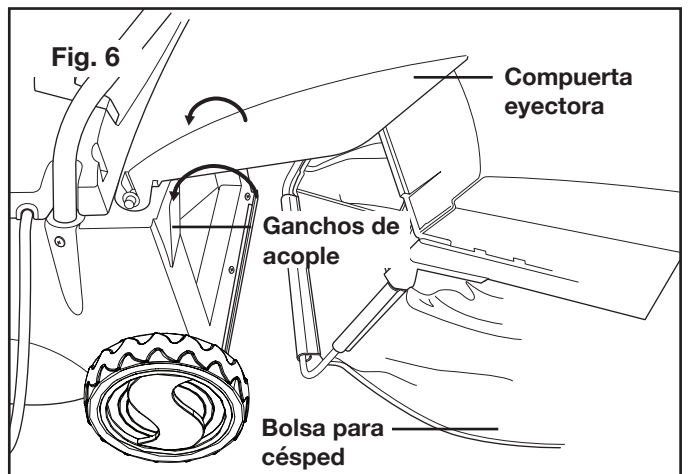
1. Coloque la vara de soporte dentro de los orificios en la cubierta plástica. La curvatura de la vara de soporte debe encarar la parte posterior de la máquina (Fig. 4).



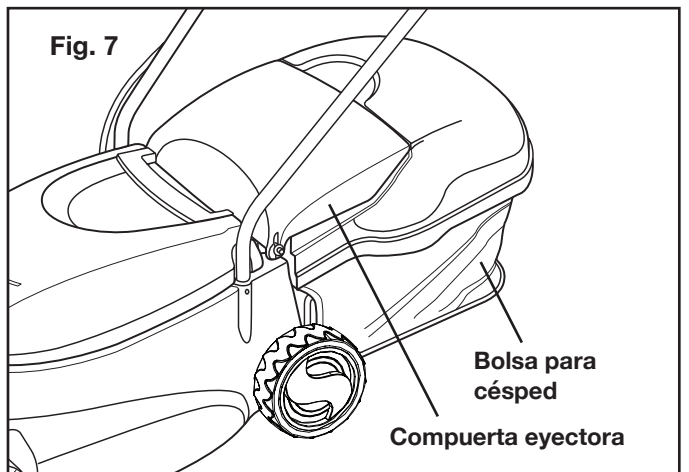
2. Coloque las tiras plásticas protectoras (conectadas a la bolsa de césped) por sobre la vara de soporte (Fig. 5).



3. Levante la compuerta eyectora a resorte. Coloque la bolsa para césped sobre los ganchos de acople en el cuerpo de la podadora (Fig. 6).



4. Suelte la compuerta eyectora para asegurar la bolsa para césped en su posición (Fig. 7).



Ensamblado y colocación del conducto de descarga lateral

El conducto de descarga lateral barre limpiamente recortes de césped de la cámara de corte, permitiéndole cortar césped más alto sin obstruir la cubierta de la podadora.

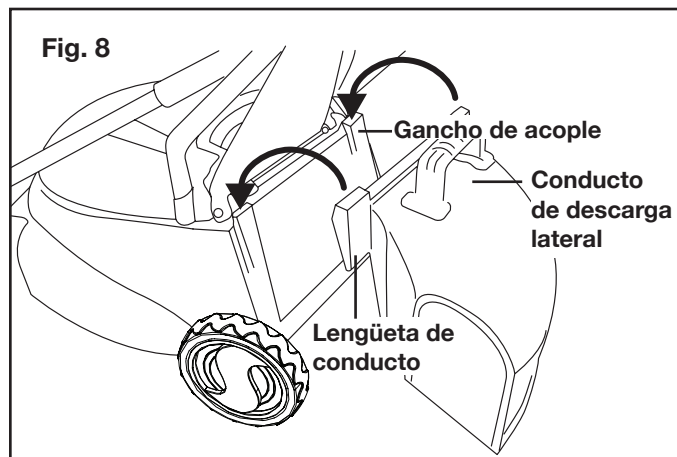


¡PRECAUCIÓN!

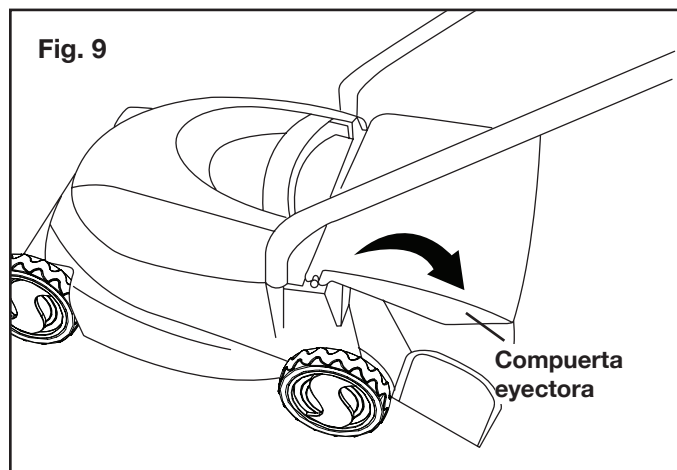


La bolsa para césped y el conducto de descarga lateral no pueden ser usados en conjunto.

1. Levante la compuerta eyectora a resorte. Ajuste el conducto de descarga lateral al cuerpo de la podadora deslizando las lengüetas del conducto por sobre los ganchos de acople que se encuentran debajo de la compuerta eyectora. Compruebe que el conducto esté ajustado de forma segura (Fig. 8).



2. Baje la compuerta eyectora y póngela encima del conducto (Fig. 9).



Operación

Esta podadora de césped está diseñada para el corte de césped en jardines y patios pequeños. Esta podadora de césped no está destinada para cortar césped de parques públicos, campos de juego, granjas o bosques. No use esta podadora para cualquier aplicación que no sea aquella para la cual está destinada.

Ajuste de la altura de corte

Siga estas instrucciones para ajustar la altura de corte de la podadora de césped.

⚠ ¡ADVERTENCIA! Antes de realizar estos ajustes, desconecte la fuente de alimentación hacia la podadora y espere hasta que la cuchilla giratoria se haya detenido por completo. Se recomienda usar guantes debido a la proximidad cercana de la cuchilla de corte.

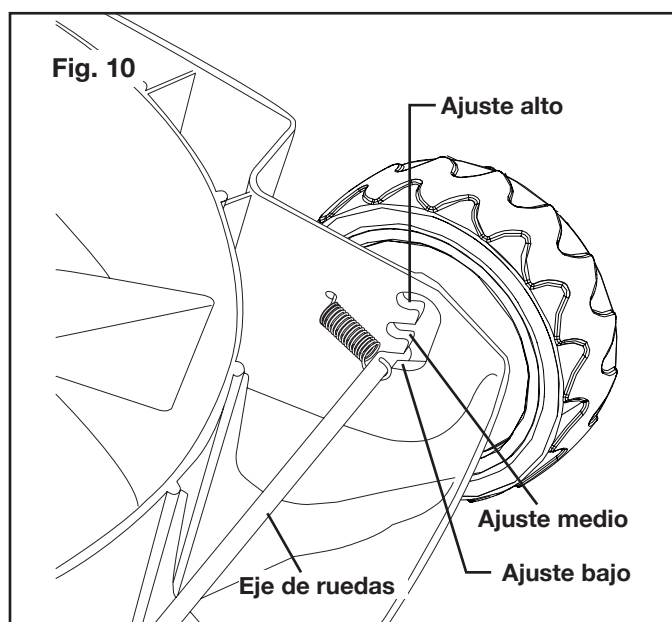
OBEDEZCA SIEMPRE TODAS LAS PRECAUCIONES Y RECOMENDACIONES DE SEGURIDAD MENCIONADAS PREVIAMENTE EN ESTE MANUAL.

1. Apague y desconecte la podadora de césped.
2. Retire y vacíe la bolsa para césped.
3. Recueste la podadora de césped en un lado.
4. Los ejes de las ruedas pueden ser colocados en tres alturas diferentes de corte: baja (cortará el césped lo más corto), media y alta (Fig. 10).

Ajuste de altura de tres posiciones:

1. Baja: 1.18 plg (30 mm)
2. Media: 1.93 plg (49 mm)
3. Alta: 2.52 plg (64 mm)

La tolerancia de altura de corte es ± 0.2 plg (± 5 mm).



- Mueva las cuatro ruedas a la altura de corte deseada jalando hacia atrás el eje de la barra y ajustándolo en la posición correcta. Asegúrese de que las cuatro ruedas estén en la misma posición de altura de corte (Fig. 10).

NOTA: ajuste la podadora a su altura más alta de corte al podar en terreno disparejo o con maleza.

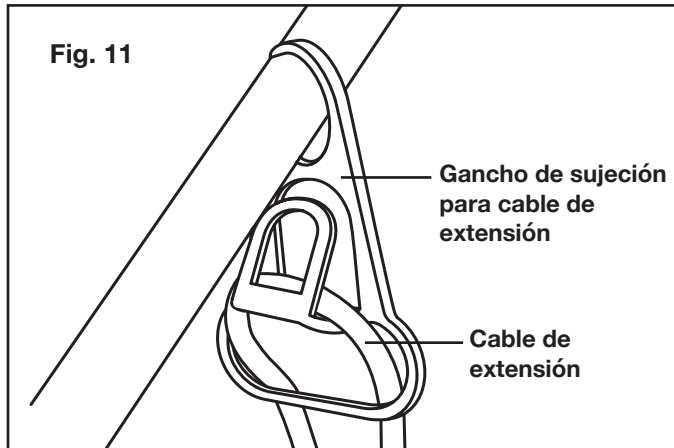
- Ponga la podadora de vuelta sobre sus ruedas y vuelva a colocar la bolsa recolectora.
- Re-conecte la fuente de alimentación a la podadora y reinicie el uso normal.

Conexión de alimentación

No encienda la podadora hasta que haya sido ensamblada por completo. Antes de encender la unidad, verifique siempre que el cable del artefacto y el cable de extensión no muestren señales de daños. Use solo cables intactos.

⚠ ¡ADVERTENCIA! Los cables dañados representan un riesgo severo de lesiones. Reemplace los cables de extensión dañados inmediatamente.

- Coloque la unidad en una superficie de césped nivelada.
- Haga un bucle con el extremo del cable de extensión y empuje el bucle a través del orificio en el gancho de restricción para cable de extensión. Deslice el bucle por sobre el gancho de sujeción para asegurar el cable de extensión (Fig. 11).



- Enchufe el cable de extensión en el cable del artefacto y luego conecte el cable de extensión al tomacorriente con voltaje de red.

NOTA: no enchufe el cable de extensión en el tomacorriente hasta que haya sido asegurado con el gancho de restricción para cable de extensión y conectado al cable de artefacto de la podadora. Use solo un cable de extensión aprobado por UL para uso en exteriores y todo tipo de clima. No use un cable de extensión de más de 100 pies (30 metros).
Vea la tabla de cables de extensión en la página 2.

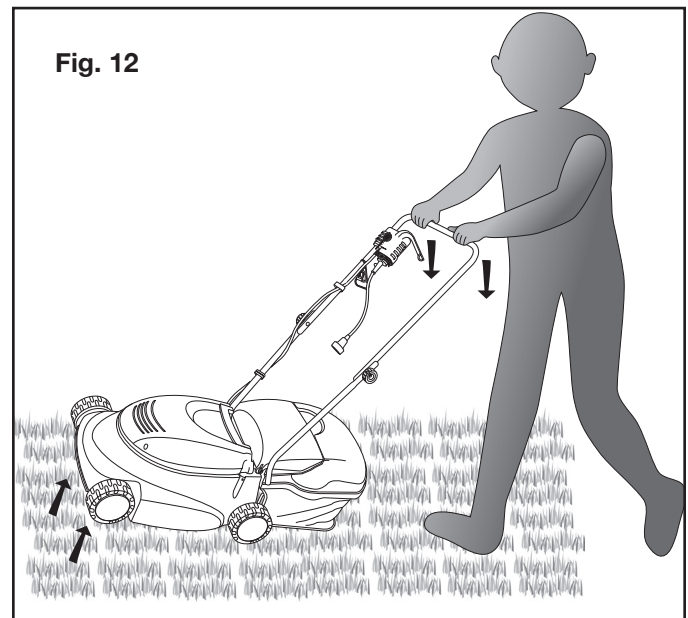
- Coloque la porción mayor del cable de extensión sobre el césped, cerca al punto de inicio.

Arranque y parada

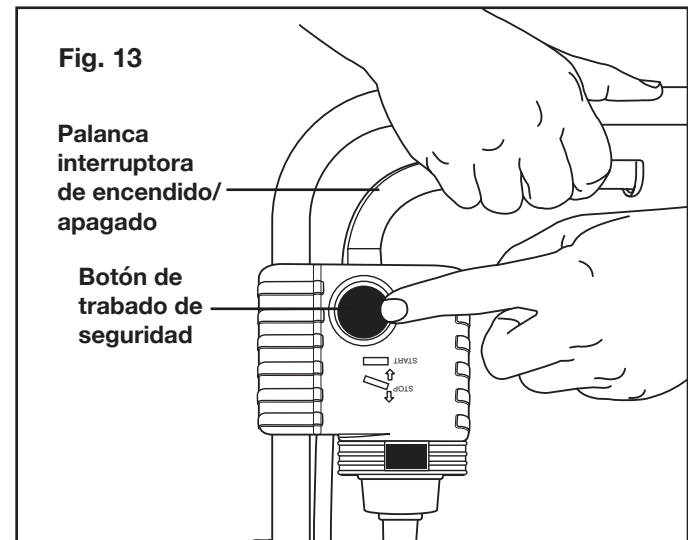
⚠ ¡ADVERTENCIA! Antes de encender la podadora, asegúrese de que no esté en contacto con ningún objeto extraño. Mantenga sus manos y pies a una distancia segura de la cuchilla podadora giratoria y de la abertura del eyector. No obedecer estas advertencias podría causar lesiones personales severas.

IMPORTANTE: no encienda la podadora sobre césped alto.

- Antes de encender la podadora de césped eléctrica, sujete el ensamblado del mango con ambas manos e incline el mango hacia abajo para levantar levemente el frente de la podadora. Esto reducirá el riesgo de daño al césped durante el encendido (Fig. 12).



- Para encender la podadora de césped eléctrica, presione y sujete el botón de trabado de seguridad, y luego jale la palanca de encendido/apagado hacia usted (Fig. 13).



- Una vez que la máquina se encienda, suelte el botón de trabado de seguridad y permita que el motor alcance su velocidad normal, para luego bajar la podadora a su posición de corte y empezar a podar (Fig. 14).

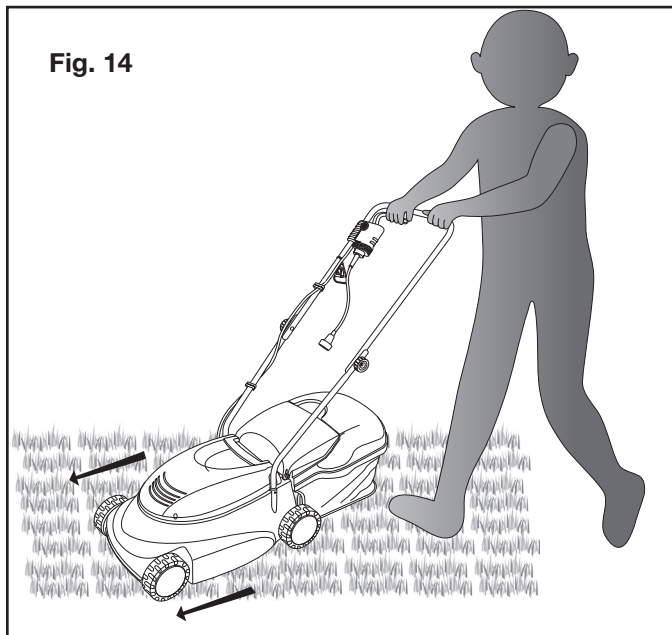


Fig. 14

- Para detener la podadora, suelte la barra interruptora de encendido/apagado.

Consejos para la poda

⚠ ¡ADVERTENCIA! Inspeccione el área antes de la poda. Retire todas las piedras, ramas, alambres y otros escombros que puedan ser recogidos y arrojados por la cuchilla giratoria.

⚠ ¡ADVERTENCIA! Si usted golpea un objeto extraño, detenga inmediatamente el motor y desenchufe el cable de alimentación. Inspeccione detenidamente la podadora para ver que no haya daño alguno. Repare el daño antes de continuar con la operación.

- El método direccional de operación es recomendado para obtener el máximo rendimiento de corte y reducir el riesgo de que el cable de alimentación de extensión ingrese en la línea de corte.
- Siga estas instrucciones para podar el área:
 - Proceda a cortar tal como se indica en la Fig. 15, trabajando desde la posición 1 hacia la posición 2.
 - En la posición 2, gire a la derecha y proceda hacia la posición 3.
 - Continúe hasta el fin del área de corte, gire a la izquierda y proceda a la posición 4.
 - Proceda tal como se muestra en la Fig. 15, siempre trabajando alejándose del cable eléctrico de extensión.

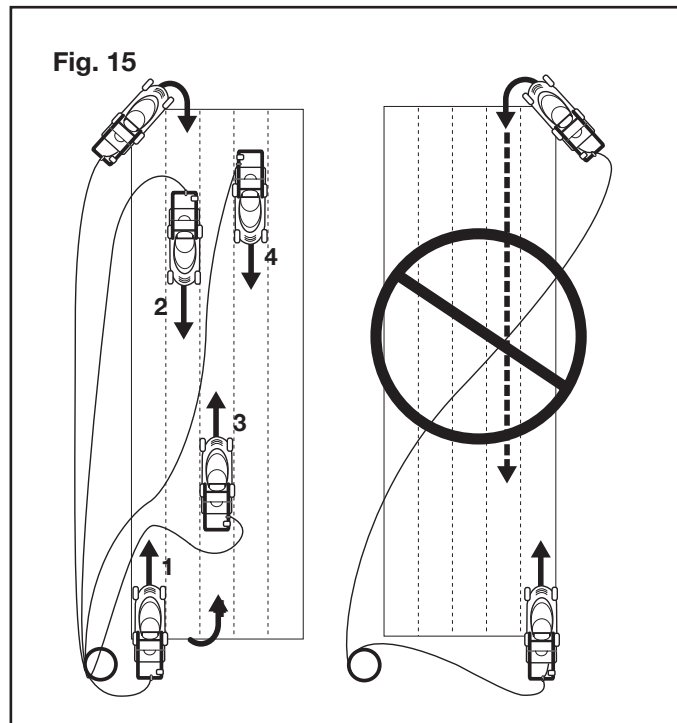


Fig. 15

¡IMPORTANTE! la cuchilla podadora continuará girando mientras la palanca interruptora de encendido/apagado sea jalada. No meta la mano dentro de la carcasa de la cuchilla o intente levantar la podadora hasta que la cuchilla se haya detenido por completo y la alimentación eléctrica a la podadora se haya desconectado.

- Asegúrese de inspeccionar periódicamente la cuchilla para ver si hay señales de desgaste, y afilarla al menos una vez por año, tal como se describe en la sección de mantenimiento.

NOTA: una cuchilla afilada mejorará de manera significativa el rendimiento de la podadora, especialmente al cortar hojas altas de césped.

Protección contra sobrecarga

El motor está equipado con un interruptor térmico que lo apaga cuando se sobrecarga y lo vuelve a encender de forma automática luego de un corto periodo de enfriamiento.

⚠ ¡ADVERTENCIA! La cuchilla podadora continuará girando por un breve periodo luego de que la unidad haya sido apagada. No incline o lleve la unidad mientras el motor esté aún funcionando y no toque la cuchilla cuando ésta aún se encuentre girando. El no obedecer esta advertencia puede resultar en lesiones personales severas.

Mantenimiento

⚠ ¡ADVERTENCIA! Antes de la limpieza, reparación o inspección de la podadora, desconecte la fuente de alimentación de la unidad y verifique que todas las partes móviles se hayan detenido por completo.

En general

- Mantenga siempre la podadora limpia y libre de césped, tierra y otros residuos.
- Mantenga los mangos secos, limpios y sin aceite o grasa.
- Luego de cada sesión de corte, retire los recortes de césped y residuos acumulados usando un paño seco o cepillo de mano. Usted puede también limpiar el equipo con un paño húmedo y algo de jabón suave no abrasivo. No use agentes de limpieza o solventes agresivos ya que pueden dañar los componentes plásticos en el equipo. Asegúrese de que no entre agua al interior del equipo, ya que el agua puede destruir el mecanismo interruptor y de alimentación, así como el motor eléctrico.
- No limpie la podadora de césped con agua corriente, particularmente con agua a alta presión.
- Compruebe que todas las tuercas, pernos y tornillos estén ajustados apropiadamente antes de cada uso.
- Inspeccione frecuentemente el ensamblado de la bolsa de césped para ver si hay señales de desgaste y reemplace inmediatamente con una parte genuina Snow Joe® + Sun Joe® si encuentra daños.
- Reemplace inmediatamente las partes gastadas en exceso o dañadas.
- Para maximizar la vida útil de su podadora, todas las partes atornilladas, incluyendo ruedas y ejes, deben ser limpiadas y lubricadas. No hay partes dentro del equipo que requieran mantenimiento o lubricación adicional.

Mantenimiento de la cuchilla

IMPORTANTE: la cuchilla podadora es afilada y puede causar lesiones personales severas si es manipulada incorrectamente. Envuelva la cuchilla o use guantes, y tenga especial cuidado al manipularla.

La cuchilla de acero está diseñada para proporcionar un corte fino en césped alto o difícil. El deterioro en la calidad de corte indica desgaste o daño de la cuchilla. Siga estos pasos para determinar si la cuchilla necesita ser reafilada o reemplazada:

1. Desconecte la podadora de la fuente de alimentación.
2. Voltee la podadora sobre uno de sus lados para exponer la parte inferior de la carcasa de la cuchilla.
3. Inspeccione la cuchilla.

- a. Si la cuchilla está desafilada o tiene algo de desgaste, afílela. Para obtener ayuda, comuníquese con la central de servicio al cliente Snow Joe® + Sun Joe® llamando al 1-866-SNOWJOE (1-866-766-9563).

- b. Si la cuchilla presenta señales de desgaste severo o daños (es decir, está abollada o doblada), reemplácela. Para obtener ayuda, comuníquese con la central de servicio al cliente Snow Joe® + Sun Joe® llamando al 1-866-SNOWJOE (1-866-766-9563).

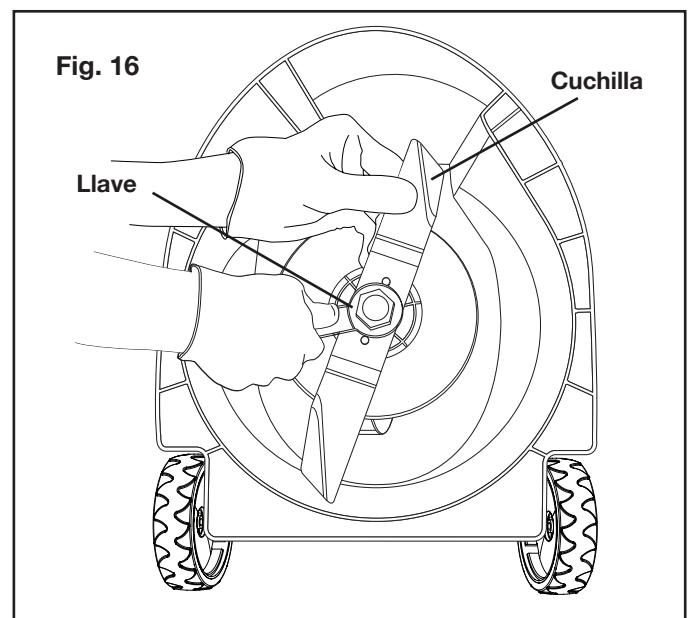
⚠ ¡ADVERTENCIA! Una podadora que vibra en exceso indica que la cuchilla no está balanceada adecuadamente o se ha deformado debido a que golpeó un objeto. En este caso, la cuchilla debe ser reparada o reemplazada. Siga los procedimientos adecuados de mantenimiento para el cuidado de la cuchilla o comuníquese con la central de servicio al cliente Snow Joe® + Sun Joe® al 1-866-SNOWJOE (1-866-766-9563) para obtener ayuda.

Reemplazo de Cuchilla

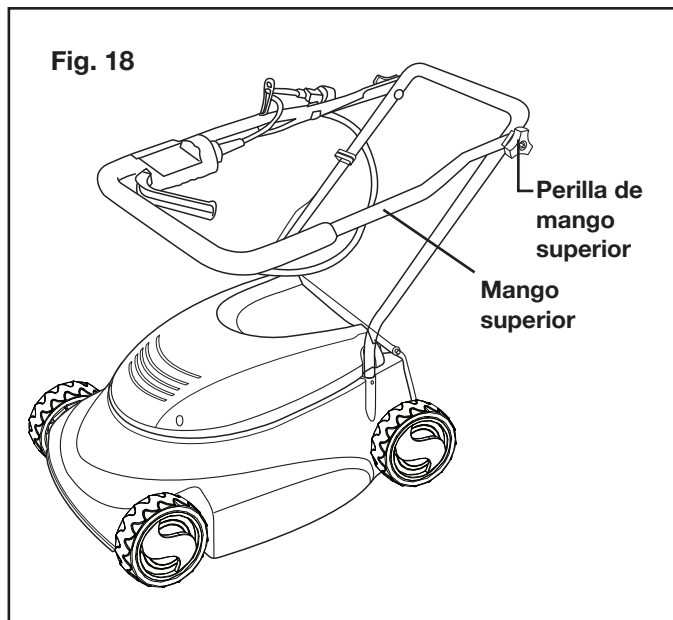
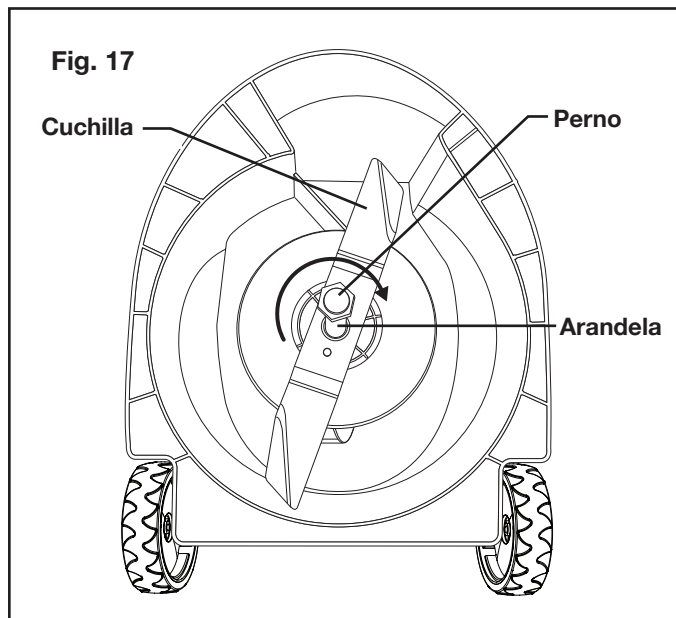
IMPORTANTE: use solo partes de repuesto originales especificadas para esta podadora.

Usted puede comprar una cuchilla de repuesto (modelo MJ401E-11) y otras partes de repuesto originales ordenando en línea en snowjoe.com o por teléfono llamando a la central de servicio al cliente Snow Joe® + Sun Joe® al 1-866-SNOWJOE (1-866-766-9563). El uso de partes que no cumplan con las especificaciones de la podadora original puede provocar un funcionamiento incorrecto de ésta, comprometer la seguridad del operador, e invalidar la garantía del fabricante.

1. Desconecte la podadora de la fuente de alimentación.
2. Voltee la podadora sobre uno de sus lados para exponer la parte inferior de la carcasa de la cuchilla.
3. Use guantes protectores resistentes, o use un paño para sujetar la cuchilla.
4. Usando la llave ajustable incluida, retire el perno y la arandela que aseguran la cuchilla girando el perno en sentido antihorario, y luego retire cuidadosamente la cuchilla (Fig. 16).



- Coloque la nueva cuchilla, la arandela y el perno de vuelta, siguiendo los mismos pasos pero en orden inverso (Fig. 17).



Almacenamiento

Siga los pasos a continuación con el fin de preparar la podadora para su almacenamiento:

- Desconecte la podadora de la fuente de alimentación.
- Limpie la podadora con un paño húmedo o cepillo de mano.
- Inspeccione la podadora de césped cuidadosamente para detectar partes gastadas, sueltas o dañadas. Verifique los tornillos y conexiones, y ajústelos de ser necesario. Preste especial atención a la cuchilla podadora y reemplácela o reafiléla si presenta señales de desgaste. Consulte la sección de mantenimiento y cuidado.
- Guarde la podadora en interiores en un área seca, limpia y fría lejos del alcance de los niños. No guarde la unidad cerca de materiales corrosivos tales como fertilizantes y sal de roca.
- Limpie el cable de extensión para quitar cualquier sustancia extraña como aceite o manchas. Reemplace el cable de extensión inmediatamente si es cortado o dañado en cualquier forma.
- Enrolle el cable en una serie de bucles iguales para evitar que se enrede.
- No cubra la podadora con una cubierta sólida de plástico. Las cubiertas de plástico atrapan humedad alrededor de la podadora, la cual puede corroerse.
- El mango de su podadora puede ser plegado para un almacenamiento compacto. Comience aflojando las perillas del mango en cada lado del mango superior y pliegue el mango superior (Fig. 18).

Servicio y soporte

Si su podadora de césped eléctrica MJ401E-PRO de Sun Joe® requiere servicio o mantenimiento, llame al 1-866-SNOWJOE (1-866-766-9563) para obtener ayuda.

Modelo y número de serie

Al contactar a la empresa o al ordenar partes de repuesto, usted necesitará proveer el modelo y el número de serie de su producto. Éstos se encuentran en la etiqueta pegada a la cubierta o mango de su podadora. Copie estos números en el espacio proporcionado a continuación.

Registre los siguientes números en la carcasa o mango de su nuevo producto:

Modelo #: _____

Número de serie: _____

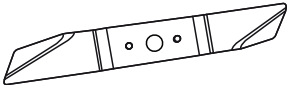
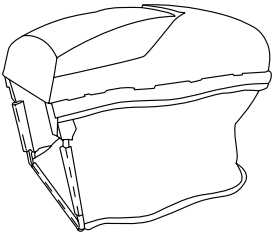
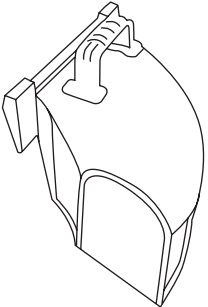
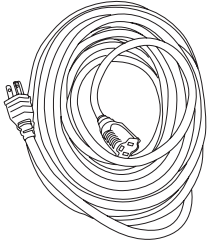
Solución de problemas

Problema	Solución
El motor no funciona.	<ul style="list-style-type: none"> • Desenchufe la unidad de la fuente de alimentación y compruebe que la cuchilla pueda girar libremente. Si el motor ha estado funcionando anteriormente, deje que el motor se enfríe ya que el freno eléctrico aún puede estar activado. • Verifique la fuente de alimentación, el cable de conexión y el disyuntor (fusible). • Limpie el canal de descarga y la carcasa. • Arranque la podadora en césped corto o en un área previamente podada e incline la podadora hacia atrás. • Corrija la altura de corte.
La potencia del motor cae.	<ul style="list-style-type: none"> • Compruebe que está usando un cable de extensión adecuado de calibre y longitud correctos (vea la tabla de cables de extensión en la página 2). • La fuente de alimentación (p. ej., el generador) tiene un voltaje demasiado bajo. • Las rejillas de ventilación están bloqueadas.
El rendimiento del motor cae.	<ul style="list-style-type: none"> • Corrija la altura de corte. • Limpie el canal de descarga y la carcasa. • Reemplace o reafile la cuchilla podadora (contacte a un centro de servicio autorizado Snow Joe® + Sun Joe®).
El atrapador de césped no se llena lo suficiente.	<ul style="list-style-type: none"> • Corrija la altura de corte. • Permita que el césped se seque. • Limpie la parrilla en la bolsa recolectora de césped. • Limpie el canal de descarga y la carcasa.

Solo un especialista de la empresa puede ser capaz de corregir fallas que no puedan ser rectificadas con la ayuda de esta tabla. Comuníquese con la central de servicio al cliente Snow Joe® + Sun Joe® llamando al 1-866-SNOWJOE (1-866-766-9563).

Accesorios

⚠ ¡ADVERTENCIA! USE SIEMPRE solo partes de repuesto y accesorios Snow Joe® + Sun Joe®. Nunca use partes de repuesto o accesorios que no estén destinados para su uso con esta herramienta. Comuníquese con Snow Joe® + Sun Joe® si tiene dudas sobre si es seguro usar una parte de repuesto o accesorio en particular con su herramienta. El uso de cualquier otro accesorio o parte puede ser peligroso y puede causar lesiones personales o daños mecánicos.

Accesorio	Descripción	Modelo
<p>1</p> 	<p>Cuchilla podadora de 14 plg (35.6 cm)</p>	<p>MJ401E-11</p>
<p>2</p> 	<p>Bolsa para césped de 10.6 gal (40 l)</p>	<p>MJ401E-10</p>
<p>3</p> 	<p>Accesorio de conducto de descarga lateral de podadora de césped</p>	<p>MJ401E-DCA</p>
<p>4</p> 	<p>Cable de extensión de 50 pies y calibre 14 Snow Joe® + Sun Joe® SJTW-A con extremo iluminado</p>	<p>PJEXT50-B</p>

NOTA: los accesorios están sujetos a cambios sin obligación alguna por parte de Snow Joe® + Sun Joe® de notificar sobre dichos cambios. Los accesorios pueden ser pedidos en línea en sunjoe.com o vía telefónica llamando al centro de servicio al cliente Snow Joe® + Sun Joe® al 1-866-SNOWJOE (1-866-766-9563).



LA PROMESA DE SNOW JOE® + SUN JOE® AL CLIENTE

POR SOBRE TODO, en Snow Joe, LLC (“Snow Joe”) estamos dedicados a usted, nuestro cliente. Nos esforzamos por hacer que su experiencia sea lo más placentera posible. Desafortunadamente, hay veces en que un producto Snow Joe®, Sun Joe®, o Aqua Joe® (el “Producto”) no funciona o sufre un desperfecto bajo condiciones normales de operación. Creemos que es importante que usted sepa que puede confiar en nosotros. Es por eso que tenemos esta Garantía Limitada (la “Garantía”) para nuestros Productos.

NUESTRA GARANTÍA:

Snow Joe garantiza que sus Productos motorizados y no motorizados, nuevos y genuinos, están libres de defectos materiales o de mano de obra al ser usados en tareas domésticas normales durante un periodo de dos (2) años a partir de la fecha de compra por parte del comprador original y usuario final, cuando este último los compra a través de Snow Joe o un vendedor autorizado por Snow Joe y ha obtenido un comprobante de compra. Ya que Snow Joe no puede controlar la calidad de sus Productos vendidos por vendedores no autorizados, a menos que la ley lo prohíba esta Garantía no cubre Productos adquiridos a través de vendedores no autorizados. Si su Producto no funciona, o hay un problema con una parte específica que está cubierta por los términos de esta Garantía, Snow Joe elegirá entre: (1) enviarle una parte de repuesto gratuita; (2) reemplazar el Producto con uno nuevo o similar sin costo alguno; o (3) reparar el Producto. ¡Un excelente soporte!

Esta Garantía le da derechos legales específicos, y usted puede también tener otros derechos según el Estado.

REGISTRO DEL PRODUCTO:

Snow Joe le recomienda enfáticamente registrar su Producto. Usted puede registrar su Producto en línea visitando snowjoe.com/register, imprimiendo y enviando por correo una tarjeta de registro disponible en línea en nuestro sitio Web, llamando a nuestra central de servicio al cliente al **1-866-SNOWJOE (1-866-766-9563)**, o enviándonos un e-mail a help@snowjoe.com. Si usted no registra su Producto sus derechos de garantía no disminuirán; sin embargo, registrar su Producto permitirá que Snow Joe le pueda atender mejor si usted tiene alguna necesidad como cliente.

¿QUIÉN PUEDE SOLICITAR COBERTURA DE GARANTÍA LIMITADA?

Esta Garantía es otorgada por Snow Joe al comprador original y propietario original del Producto.

¿QUÉ NO ESTÁ CUBIERTO?

Esta Garantía no se aplica si el Producto ha sido usado de forma comercial o en aplicaciones no domésticas o de alquiler. Esta Garantía tampoco se aplica si el Producto fue adquirido desde un vendedor no autorizado. Esta garantía tampoco cubre cambios cosméticos que no afecten el funcionamiento del Producto. Las partes desgastables como correas, brocas y cuchillas no están cubiertas por esta Garantía, y pueden ser compradas visitando snowjoe.com o llamando al **1-866-SNOWJOE (1-866-766-9563)**.



TONDEUSE À GAZON ÉLECTRIQUE AVEC ACCESSOIRE D'ÉJECTION LATÉRALE

35,6 cm | 13 A

MANUEL D'UTILISATION

Une division de Snow Joe®, LLC

Modèle MJ401E-PRO

Formulaire n° SJ-MJ401E-PRO-880F-MR4

IMPORTANT!

Consignes de sécurité

Tous les utilisateurs doivent lire ces instructions avant d'utiliser la machine

Suivez toujours ces consignes de sécurité. Ne pas s'y conformer peut entraîner de graves blessures, voire même la mort.

AVERTISSEMENTS d'ordre général en matière de sécurité!

Quand vous utilisez cette tondeuse à gazon électrique, les précautions de sécurité de base doivent toujours être suivies pour réduire le risque d'incendie, d'électrocution ou de blessure corporelle. Parmi ces précautions figurent les avertissements suivants :

⚠ AVERTISSEMENT! Ne pas utiliser sans que le bac à herbe complet ou l'accessoire d'éjection latérale, le déflecteur de protection d'éjection, la protection arrière ou d'autres dispositifs de protection et de sécurité soient en place et en bon ordre de marche.

⚠ AVERTISSEMENT! L'utilisation de tout autre accessoire ou pièce attachée pourrait augmenter le risque de blessure.

⚠ AVERTISSEMENT! Pour réduire le risque de blessure, inspecter fréquemment l'ensemble bac à herbe et le remplacer par une pièce recommandée s'il présente des signes d'usure ou de détérioration.

Avant d'utiliser la tondeuse, prenez le temps de vous familiariser avec les commandes, spécialement la façon d'arrêter la tondeuse en cas d'urgence. Les seules personnes qui devraient utiliser la tondeuse sont celles qui comprennent parfaitement les instructions et qui savent comment utiliser la machine. Les enfants ne devraient jamais être autorisés à avoir accès à la tondeuse.

Conservez ce manuel pour y faire éventuellement référence dans le futur et relisez-le au début de chaque saison de tonte.

POUR LES TONDEUSES À GAZON À DOUBLE ISOLATION

- 1. Pièces de rechange** – Pour les réparations sur cette machine, utilisez uniquement des pièces de rechange identiques. Remplacez ou réparez immédiatement tout cordon endommagé.
- 2. Fiche polarisée** – Les connexions polarisées réduisent le risque d'électrocution. Cette tondeuse est munie d'une fiche polarisée (une lame est plus large que l'autre) et nécessite l'utilisation d'une rallonge à fiche polarisée. La fiche de la tondeuse ne s'insère que d'une seule façon dans une rallonge à fiche polarisée. Si la fiche ne rentre pas complètement dans la rallonge, inversez-la. Si la fiche ne s'insère toujours pas, procurez-vous une rallonge à fiche polarisée. Une rallonge à fiche polarisée nécessite l'utilisation d'une prise murale polarisée. La fiche ne s'insère que d'une seule façon dans une prise murale polarisée. Si la fiche ne rentre pas complètement dans la prise murale, inversez-la. Si la fiche ne s'insère toujours pas, communiquez avec un électricien qualifié pour qu'il pose une prise adéquate. Ne modifiez en aucune façon la fiche de la machine, la prise de la rallonge ou la fiche de la rallonge.

⚠ AVERTISSEMENT! Tout contact avec des pièces mobiles peut être la cause de happement, de mutilation ou d'autres blessures graves. Toujours maintenir les parties du corps (c.-à-d., les mains, les pieds) à bonne distance des pièces mobiles. S'assurer que tous les éléments couvrants et dispositifs de protection sont bien en place avant utilisation.

Les surfaces chaudes (c.-à-d., le moteur) peuvent enflammer des éléments inflammables ou combustibles et déclencher un incendie ou une explosion, ce qui peut être à l'origine de graves blessures corporelles. Maintenir la tondeuse à bonne distance des éléments inflammables ou combustibles tant que les surfaces qui sont chaudes n'ont pas complètement refroidi. Ne pas remiser la tondeuse à proximité d'éléments inflammables ou combustibles.

Une lame endommagée ou un écrou de lame usé peut briser l'ensemble tondeuse et entraîner de graves blessures. Remplacer la lame ou l'écrou de lame endommagé avant d'utiliser la tondeuse.

POUR TOUTES LES TONDEUSES À GAZON

- 1. Éviter les situations dangereuses** – N'utilisez pas la tondeuse sous la pluie ou quand l'herbe est trempée ou humide.
- 2. Maintenir les enfants, les spectateurs et les animaux familiers à bonne distance** – Tenez toujours les enfants et les spectateurs à bonne distance de la tondeuse pendant son utilisation et quand elle refroidit.
- 3. S'habiller en conséquence** – Portez toujours un équipement de protection individuelle (c.-à-d., des lunettes, des gants en caoutchouc, des chaussures de protection et un masque protecteur contre la poussière) et des vêtements appropriés quand vous utilisez la tondeuse. Les vêtements amples, les cheveux longs ou les bijoux peuvent se prendre dans les pièces mobiles.
- 4. Utiliser une machine adaptée au travail à faire** – N'utilisez pas la tondeuse à gazon pour un travail autre que celui pour lequel elle est destinée.
- 5. Ne pas forcer la tondeuse à gazon** – Elle fonctionnera mieux, sera moins dangereuse et moins susceptible de tomber en panne si elle est utilisée au régime pour lequel elle a été conçue.
- 6. Ne pas s'arc-bouter** – Restez en permanence sur les deux pieds pour ne pas perdre l'équilibre.
- 7. Rester vigilant** – Soyez toujours à l'affût et surveillez ce que vous faites. Faites preuve de bon sens. N'utilisez pas la tondeuse à gazon quand vous êtes fatigué ou si vous avez consommé de l'alcool ou de la drogue.
- 8. Débrancher la tondeuse à gazon** – Débranchez la tondeuse à gazon quand vous ne l'utilisez pas, avant d'intervenir dessus, quand vous changez un accessoire ou quand vous effectuez toute autre tâche d'entretien.
- 9. Remiser l'outil à l'intérieur, à l'arrêt complet** – Quand elle n'est pas utilisée, la tondeuse à gazon doit être remise à l'intérieur dans un endroit sec, sous clé et hors de portée des enfants.
- 10. Entretien la tondeuse à gazon avec soin** – Pour qu'ils puissent être utilisés au mieux de leur rendement et sans danger, maintenez les tranchants affûtés et propres.
Inspectez périodiquement le cordon de la tondeuse à gazon et, s'il est endommagé, faites-le réparer par un centre de réparation agréé. Les rallonges électriques doivent être périodiquement inspectées et immédiatement remplacées si elles sont endommagées. Maintenez les poignées sèches, propres et exemptes d'huile et de graisse.

Sécurité électrique

1. Des dispositifs de protection contre les défauts de terre (disjoncteurs de fuite de terre) doivent être fournis sur le(s) circuit(s) ou la(les) prise(s) utilisés pour la tondeuse à gazon. Des prises intégrant un disjoncteur de fuite de terre sont disponibles et peuvent être utilisées pour répondre à cette mesure de sécurité.

2. Pour éviter les décharges électriques, utilisez uniquement une rallonge électrique appropriée pour une utilisation à l'extérieur, par exemple SW, SOW, STW, STOW, SJTW ou SJTOW.

Avant son utilisation, vérifiez que la rallonge électrique est en bon état. Si vous utilisez une rallonge électrique, assurez-vous qu'elle soit de calibre suffisant pour le courant que l'outil va consommer. Une rallonge sous-dimensionnée provoquera une chute de tension dans les lignes, ce qui entraînera une perte de puissance et une surchauffe.



AVERTISSEMENT



Les décharges électriques peuvent entraîner des BLESSURES GRAVES, voire même FATALES. Tenir compte de ces avertissements :

- Ne laisser aucune partie de la tondeuse à gazon entrer en contact avec de l'eau pendant son utilisation. Si la machine se mouille lorsqu'elle n'est pas sous tension, l'essuyer avant de la redémarrer.
- Utiliser uniquement une rallonge électrique homologuée UL, CSA ou ETL, recommandée pour une utilisation à l'extérieur et tout temps, par exemple la rallonge électrique 50 pieds de calibre 14 Snow Joe® + Sun Joe® SJTW-A dont les extrémités s'éclairent quand elle est sous tension (modèle PJEXT50-B). Visiter snowjoe.com pour acheter en ligne cette rallonge électrique ou, pour la commander par téléphone, appeler le 1-866-SNOWJOE (1-866-766-9563).
- Ne pas utiliser de rallonge électrique supérieure à 30 m (100 pi).
- Ne pas toucher l'outil ou sa prise de courant les mains mouillées ou les pieds dans l'eau. Le port de bottes de caoutchouc offre une certaine protection.

TABLEAU – RALLONGE ÉLECTRIQUE

Longueur de la rallonge électrique	Jusqu'à 15 m	+15 m -30 m
Calibre de fil (AWG) :	14	12

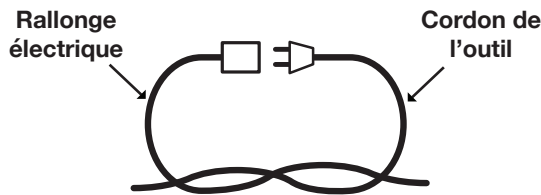
3. Pour réduire le risque d'électrocution, cette machine est munie d'une fiche polarisée (c.-à-d., une lame est plus large que l'autre). Utilisez uniquement une rallonge à fiche polarisée, homologuée UL (certifiée CSA au Canada) et recommandée pour une utilisation à l'extérieur. La fiche de la machine ne s'insère que d'une seule façon dans une rallonge à fiche polarisée.

Si la fiche de la machine ne rentre pas complètement dans la rallonge, inversez-la. Si la fiche ne s'insère toujours pas, procurez-vous une rallonge à fiche polarisée. Une rallonge à fiche polarisée nécessite l'utilisation d'une prise murale polarisée. La fiche polarisée de la rallonge ne s'insère que d'une seule façon dans la prise murale polarisée. Si la fiche ne rentre pas complètement dans la

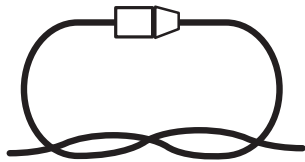
prise murale, inversez-la. Si la fiche ne s'insère toujours pas, communiquez avec un électricien qualifié pour qu'il pose une prise adéquate. Ne modifiez en aucune façon la fiche de la machine, la prise de la rallonge ou la fiche de la rallonge.

4. Pour empêcher que le cordon de la machine se débranche de la rallonge électrique pendant son utilisation, faites un nœud avec les deux cordons comme indique le Tableau 1.

Tableau 1. Méthode d'attache de rallonge électrique



(A) Nouer les cordons comme sur l'illustration



(B) Brancher la fiche dans la prise

5. N'utilisez pas le cordon à mauvais escient. Ne tirez jamais la tondeuse à gazon par le cordon et ne tirez pas brusquement sur le cordon pour le retirer de la prise. Maintenir le cordon éloigné de toute source de chaleur, de l'huile et des objets tranchants.

IMPORTANT!

Consignes de sécurité pour les tondeuses poussées

Généralités concernant l'utilisation

- Lisez, comprenez et suivez toutes les instructions sur la machine et dans le ou les manuels.
- Ne mettez ni les mains ni les pieds sous la machine. Tenez-vous toujours à l'écart de l'ouverture d'éjection.
- Maintenez en place et en bon ordre de marche les dispositifs de sécurité.
- Seuls les adultes responsables et familiarisés avec les instructions devraient être autorisés à utiliser cette machine.
- Débarrassez la zone à tondre de tout corps étranger, par exemple les roches, fils, jouets et autres éléments divers, susceptibles d'être ramassés et projetés par la lame. Restez derrière la poignée pendant que le moteur tourne.
- Avant de démarrer la machine, assurez-vous qu'il n'y a plus aucun spectateur dans la zone à tondre. Arrêtez la machine si quelqu'un pénètre dans la zone à tondre.
- N'utilisez pas la machine pieds nus ou si vous portez des

sandales. Portez toujours des chaussures suffisamment montantes.

- Regardez toujours vers le bas et l'arrière quand vous utilisez la tondeuse à reculons.
- Ne dirigez jamais les matières rejetées en direction de quiconque. Évitez de diriger les matières rejetées contre un mur ou tout autre obstacle.
- Ne laissez jamais sans surveillance une machine dont le moteur tourne.
- Avant de nettoyer la machine, de retirer l'herbe, de changer un accessoire ou de déboucher le déflecteur de protection d'éjection, arrêtez le moteur et attendez jusqu'à ce que la lame s'arrête complètement.
- Utilisez la machine uniquement à la lumière du jour ou sous un bon éclairage artificiel.
- N'utilisez pas la machine quand vous êtes fatigué ou si vous avez consommé de l'alcool ou de la drogue.
- N'utilisez jamais la tondeuse dans de l'herbe humide. Assurez toujours vos pas; marchez, ne courez jamais quand vous utilisez la tondeuse.
- Si la machine commence à vibrer d'une manière anormale, arrêtez le moteur et inspectez immédiatement la machine pour rechercher ce qui est à l'origine des vibrations. Les vibrations sont généralement des signes précurseurs d'un problème.
- Maintenez les lames affûtées.
- Gardez les mains et les pieds éloignés de l'endroit de la pelouse que la machine tond.
- Portez toujours une protection oculaire quand vous utilisez la machine.
- Tout ce qui est heurté par la lame de la tondeuse à gazon peut provoquer de graves blessures. La zone à tondre doit toujours être inspectée attentivement et débarrassée de tout corps étranger avant chaque tonte.
- Si la tondeuse à gazon heurte un corps étranger, suivez ces étapes :
 - i) Arrêtez la tondeuse à gazon en relâchant le levier-interrupteur marche/arrêt.
 - ii) Débranchez le cordon d'alimentation.
 - iii) Vérifiez si la machine n'est pas endommagée.
 - iv) Réparez tout dommage avant de redémarrer et d'utiliser à nouveau la tondeuse à gazon.
- Utilisez uniquement des lames de rechange identiques.

Utilisation sur terrain pentu

Les terrains pentus sont la cause majeure des accidents dus à des glissades ou à des chutes et des graves blessures qu'ils peuvent entraîner. L'utilisation d'une tondeuse sur terrain pentu exige une extrême vigilance. Si vous ne vous sentez pas à l'aise sur un terrain pentu, ne le tondez pas.

- Tondez en travers de la pente, jamais en montant ou en descendant. Faites preuve d'une extrême prudence quand vous changez de direction sur des terrains pentus.
- Faites attention aux trous, ornières, bosses, roches et à tout ce qui peut être caché. Ils peuvent vous faire glisser ou tomber sans prévenir.
- Ne tondez pas de l'herbe humide ou des terrains excessivement pentus. Si vous êtes instable sur vos deux pieds, vous risquez de glisser ou de tomber.
- Ne tondez pas à proximité d'à-pics, de fossés ou de talus. Vous pourriez perdre l'équilibre.

Enfants

Des accidents tragiques peuvent se produire si l'utilisateur ne fait pas attention à la présence d'enfants. Les enfants sont souvent attirés par la machine et la tonte elle-même. Ne supposez jamais que les enfants resteront là où vous les avez vus pour la dernière fois.










- Maintenez les enfants à l'écart de la zone à tondre et sous la stricte surveillance d'un adulte responsable autre que l'utilisateur.
- Soyez vigilant et arrêtez la tondeuse si un enfant pénètre dans la zone de travail.
- Ne laissez jamais les enfants utiliser la machine.
- Redoublez d'attention en approchant les coins aveugles, les buissons, les arbres ou tout ce qui pourrait vous empêcher de voir un enfant.

Entretien et réparation

- Maintenez serrés tous les écrous et boulons.
- Ne trafiquez jamais les dispositifs de sécurité. Faites des vérifications régulières pour vous assurer que ces dispositifs sont en place et en bon ordre de marche.
- Débarrassez la tondeuse de toute accumulation d'herbe, feuilles ou autres débris.
- N'effectuez jamais de réglages ou de réparations quand le moteur tourne. Débranchez toujours la tondeuse électrique avant de la régler, de la nettoyer ou de la réparer.
- Inspectez fréquemment les composants du déflecteur de protection d'éjection et, au besoin, remplacez-les par des pièces recommandées par le fabricant.
- Les lames de la tondeuse sont affûtées. Enveloppez la lame ou portez des gants et faites preuve d'une extrême prudence quand vous les réparez.
- Maintenez visibles les étiquettes de sécurité et d'instructions ou, le cas échéant, remplacez-les.

Symboles de sécurité

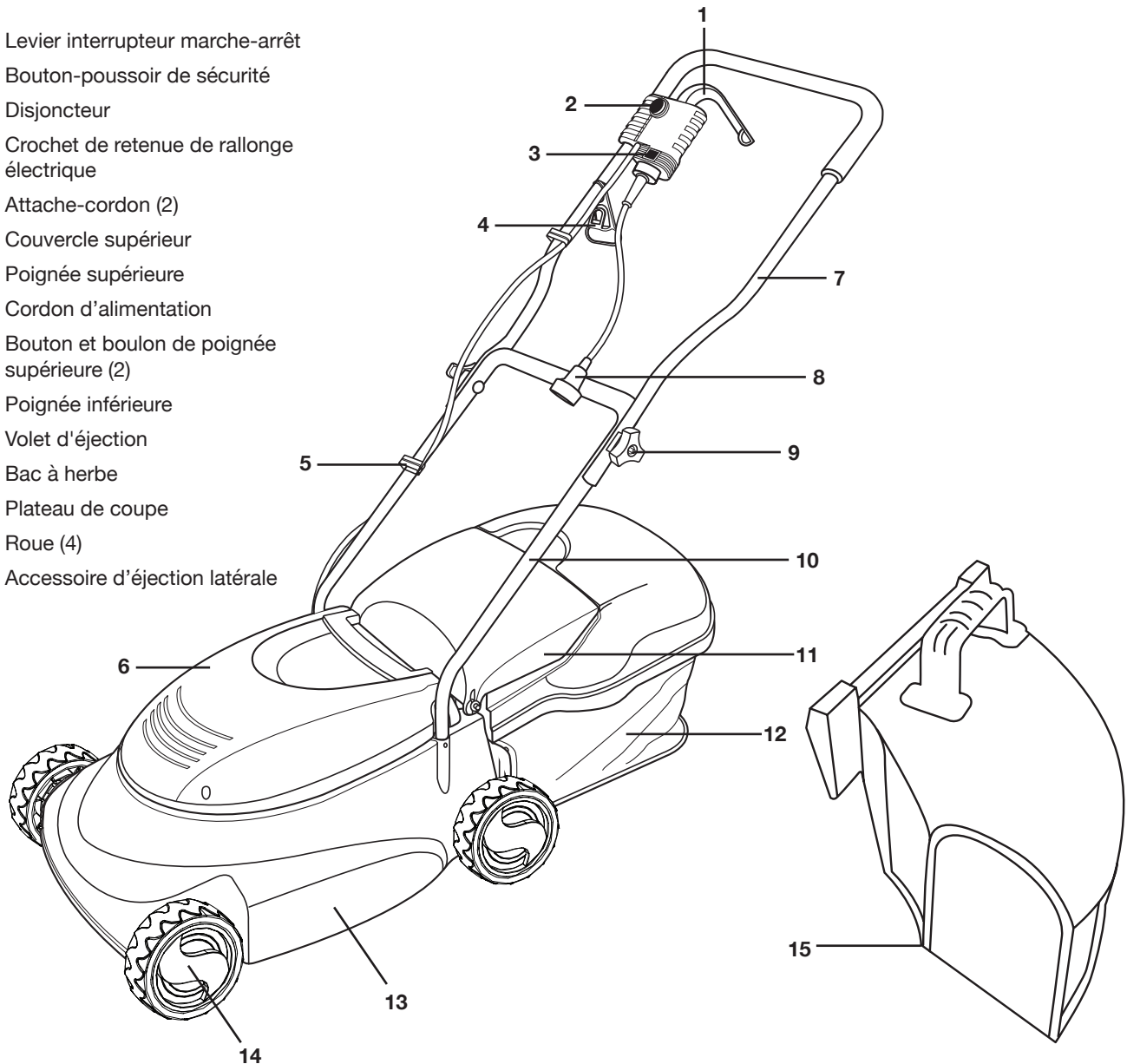
Le tableau suivant décrit et explique les symboles de sécurité pouvant être marqués sur cette machine. Lisez, comprenez et suivez toutes les instructions sur la machine avant d'essayer de procéder à son assemblage et de l'utiliser.

Symboles	Descriptions	Symboles	Descriptions
	Étiquette CPSC de danger.		Maintenir les spectateurs et les enfants à une distance de sécurité suffisante.
	Alerte de sécurité. Mise en garde.		Porter une protection oculaire et des protecteurs d'oreilles. Pour éviter de vous blesser, porter des protecteurs d'oreilles et des lunettes de sécurité.
	Risque de glissade sur terrain pentu : pour éviter toute glissade ou chute accidentelle, faire preuve d'une extrême prudence en tondant sur des pentes.		Sectionnement des orteils ou des doigts par la lame de tondeuse en rotation.
	La projection d'objets et la lame rotative peuvent provoquer de graves blessures.		Faire preuve d'une extrême vigilance en marche arrière. Toujours regarder vers le bas et derrière pendant et avant toute marche arrière.
	Double isolation.		

Apprenez à mieux connaître votre tondeuse à gazon

Lisez attentivement le manuel de l'utilisateur et les consignes de sécurité avant d'utiliser la tondeuse. Pour vous familiariser avec l'emplacement des différents réglages et commandes, comparez l'illustration ci-dessous avec la tondeuse. Conservez ce manuel pour pouvoir vous y reporter dans le futur.

1. Levier interrupteur marche-arrêt
2. Bouton-poussoir de sécurité
3. Disjoncteur
4. Crochet de retenue de rallonge électrique
5. Attache-cordon (2)
6. Couvercle supérieur
7. Poignée supérieure
8. Cordon d'alimentation
9. Bouton et boulon de poignée supérieure (2)
10. Poignée inférieure
11. Volet d'éjection
12. Bac à herbe
13. Plateau de coupe
14. Roue (4)
15. Accessoire d'éjection latérale



Données techniques

Tension nominale.....	120 V ~ 60 Hz	Hauteur de coupe.....	De 30 mm à 64 mm
Moteur	13 A	Contenance du sac à herbe	40 l
Régime à vide.....	3 500 tr/min	Dimension des roues.....	14 cm
Rotor.....	Lame d'acier 35,6 cm	Poids Net.....	13,6 kg
Largeur de coupe	35,6 cm		

Déballage

Contenu de la caisse

- Tondeuse à gazon électrique
 - Sac à herbe
 - Tige de support du sac à herbe
 - Accessoire d'éjection latérale
 - Poignée supérieure
 - Ensemble bouton et boulon de poignée supérieure (2)
 - Poignée inférieure
 - Vis de poignée inférieure (2)
 - Crochet de retenue de rallonge électrique
 - Attache-cordon (2)
 - Tricoise
 - Manuel et carte d'enregistrement
1. Retirez soigneusement la tondeuse à gazon de la caisse et inspectez-la pour vérifier que tous les éléments énumérés ci-dessus sont fournis.
 2. Inspectez soigneusement le contenu pour vous assurer qu'aucun élément n'a été brisé ou endommagé pendant le transport. Si vous constatez que des pièces manquent ou sont endommagées, NE PAS retourner l'outil au magasin. Veuillez appeler le service clientèle Snow Joe® + Sun Joe® au 1-866-SNOWJOE (1-866-766-9563).

REMARQUE : ne jetez pas la caisse d'expédition et l'emballage tant que vous n'êtes pas prêt à utiliser votre nouvelle tondeuse à gazon électrique. L'emballage est fabriqué dans des matériaux recyclables. Éliminez ces matériaux de façon appropriée et conformément aux réglementations locales.

IMPORTANT! Le matériel et l'emballage ne sont pas des jouets. Ne laissez pas les enfants jouer avec les sacs en plastique, les feuilles métalliques ou les petites pièces. Ces éléments peuvent être avalés et présentent un danger de suffocation!

Assemblage



MISE EN GARDE!



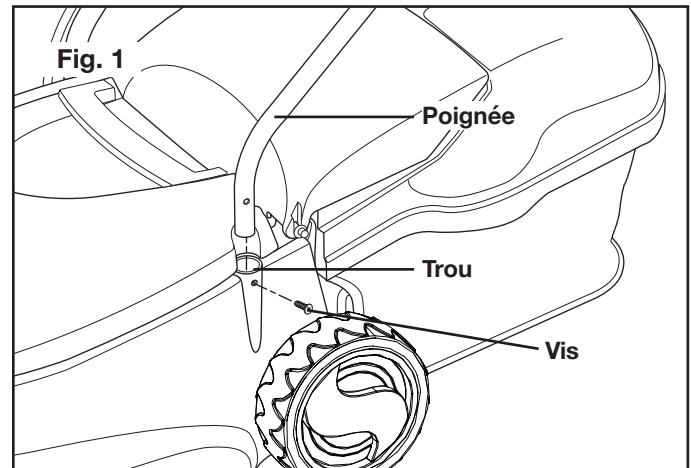
Inspecter le câblage qui, s'il a été endommagé pendant le transport, peut être à l'origine de graves blessures quand on utilise la machine. Si le moindre dommage est constaté ou soupçonné, ne pas procéder à l'assemblage. Appeler plutôt le service clientèle Snow Joe® + Sun Joe® au 1-866-SNOWJOE (1-866-766-9563) pour de l'aide.

Procéder à l'assemblage avec précautions pour ne pas endommager le câblage.

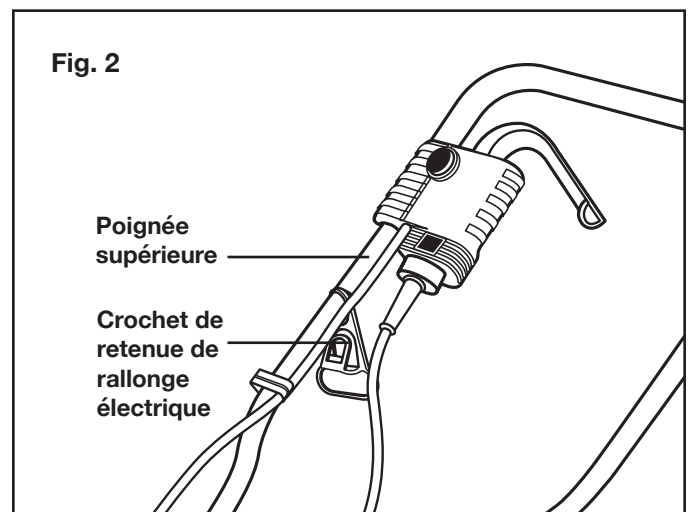
REMARQUE : avant d'utiliser la tondeuse, suivez ces instructions pour assembler la poignée et le sac à herbe et l'accessoire d'éjection latérale.

Assemblage des poignées

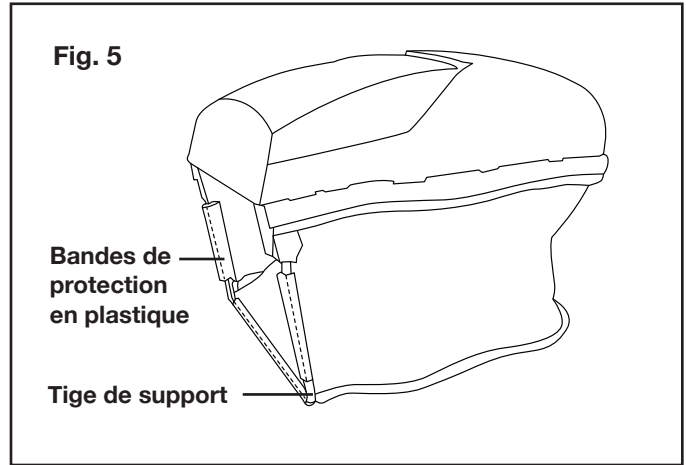
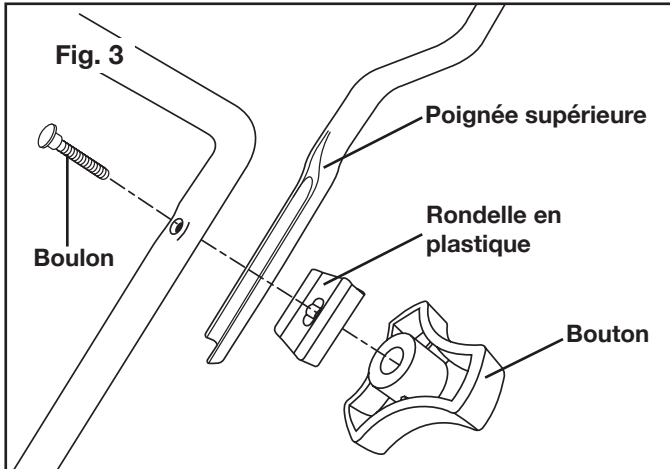
1. Enfoncez la poignée inférieure dans les deux trous du châssis de la machine et attachez la poignée des deux côtés à l'aide des vis fournies (Fig. 1).



2. Faites glisser le crochet de retenue de rallonge électrique sur la poignée supérieure (Fig. 2).



3. Attachez la poignée supérieure à la poignée inférieure à l'aide du bouton, de la rondelle en plastique et du boulon fournis (Fig. 3). Répétez l'opération de l'autre côté.

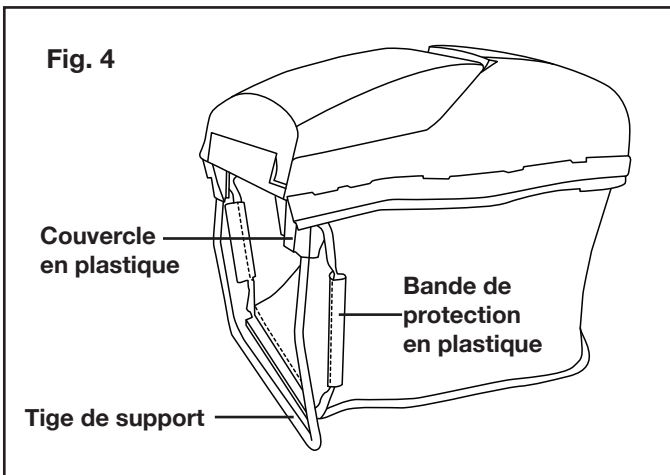


Assemblage et ajustage du sac à herbe

⚠ MISE EN GARDE! ⚠

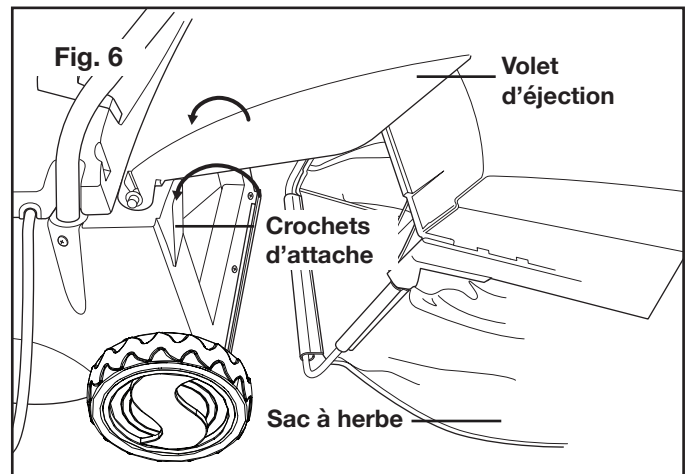
Le sac à herbe et l'accessoire d'éjection latérale ne peuvent pas être utilisés ensemble.

1. Faites rentrer la tige de support dans les trous du couvercle en plastique. La partie incurvée de la tige de support doit être tournée vers l'arrière de la machine (Fig. 4).

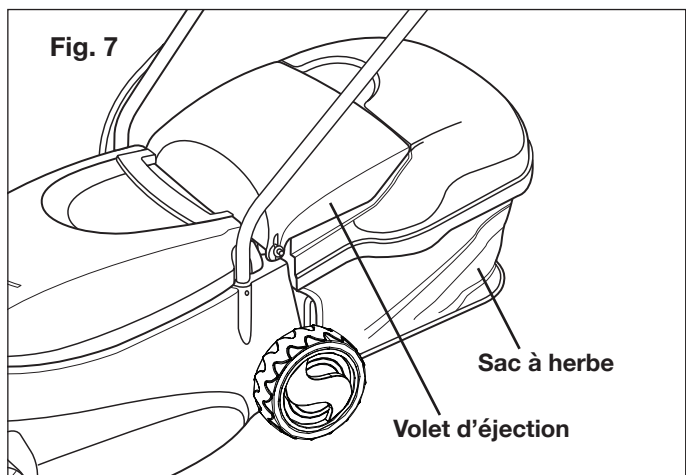


2. Placez les bandes de protection en plastique (attachées au sac à herbe) sur la tige de support (Fig. 5).

3. Levez le volet d'éjection à ressort. Positionnez le sac à herbe sur les crochets d'attache du châssis de la tondeuse (Fig. 6).



4. Relâchez le volet d'éjection pour que le sac à herbe reste attaché (Fig. 7).



Assemblage et ajustage de l'accessoire d'éjection latérale

L'accessoire d'éjection latérale évacue rapidement l'herbe coupée de la chambre de coupe, vous permettant ainsi de couper l'herbe plus haute sans pour autant obstruer le plateau de coupe.

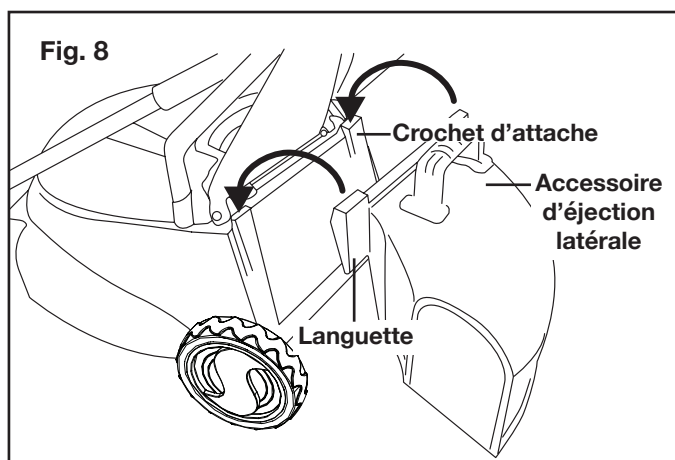


MISE EN GARDE!

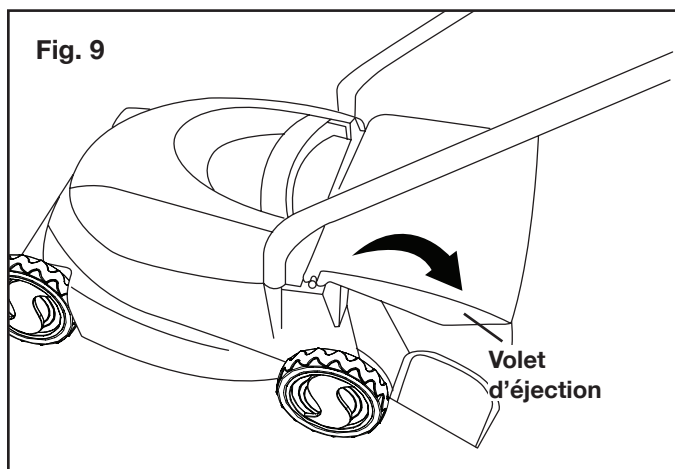


Le sac à herbe et l'accessoire d'éjection latérale ne peuvent pas être utilisés ensemble.

1. Levez le volet d'éjection à ressort. Attachez l'accessoire d'éjection latérale au châssis de la tondeuse en faisant glisser les languettes sur les crochets d'attache qui se trouvent sous le volet d'éjection. Assurez-vous que l'accessoire d'éjection est bien attaché (Fig. 8).



2. Abaissez le volet d'éjection et faites-le reposer sur la partie supérieure de l'accessoire d'éjection (Fig. 9).



Utilisation

Cette tondeuse à gazon est destinée à un usage résidentiel privé pour tondre les pelouses de petite superficie dans les jardins. Cette tondeuse n'est pas adaptée pour tondre le gazon dans les parcs publics, les terrains de jeu, les fermes ou les forêts. N'utilisez pas cette tondeuse à gazon pour un travail autre que celui pour lequel elle est destinée.

Réglage de la hauteur de coupe

Suivez ces instructions pour régler la hauteur de coupe de la tondeuse à gazon.

⚠ AVERTISSEMENT! Avant de procéder à ces réglages, débrancher la tondeuse du secteur et attendre que la lame rotative se soit complètement arrêtée. En raison de la présence toute proche de la lame, il est recommandé de porter des gants.

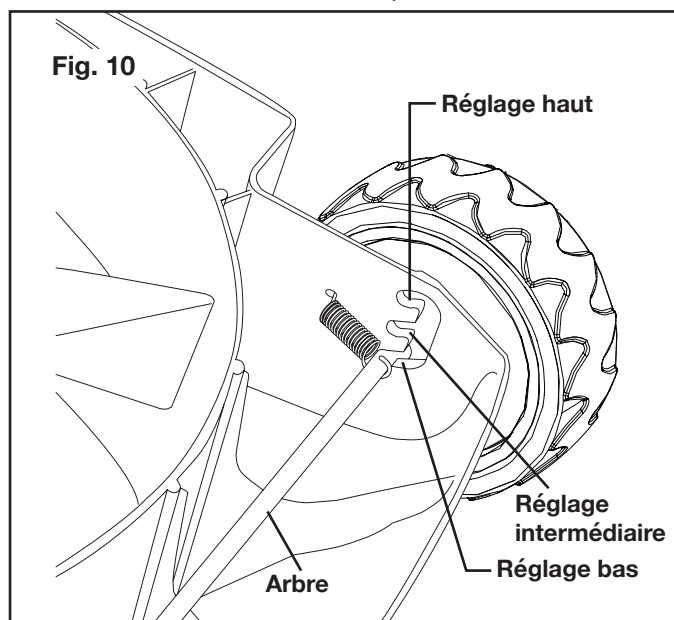
TOUJOURS SUIVRE LES MESURES DE SÉCURITÉ ET LES RECOMMANDATIONS ÉNUMÉRÉES PRÉCÉDEMMENT DANS CE MANUEL.

1. Coupez le moteur et débranchez la tondeuse à gazon.
2. Retirez le sac à herbe et videz-le.
3. Placez la tondeuse à gazon sur son flanc.
4. Les arbres de roue peuvent se régler sur trois hauteurs de coupe différentes : bas (pour couper ras l'herbe), intermédiaire et haut (Fig. 10).

Réglage de hauteur de coupe à trois positions :

1. Bas : 30 mm
2. Intermédiaire : 49 mm
3. Haut : 64 mm

La tolérance de hauteur de coupe est de ± 5 mm.



- Réglez les quatre roues sur la hauteur de coupe voulue en tirant sur l'arbre et en le plaçant sur l'une des trois positions. Vérifiez que les quatre roues sont toutes sur la même position de hauteur de coupe (Fig. 10).

REMARQUE : si vous tondez sur un terrain accidenté ou plein de mauvaises herbes hautes, réglez la tondeuse sur la hauteur de coupe la plus haute.

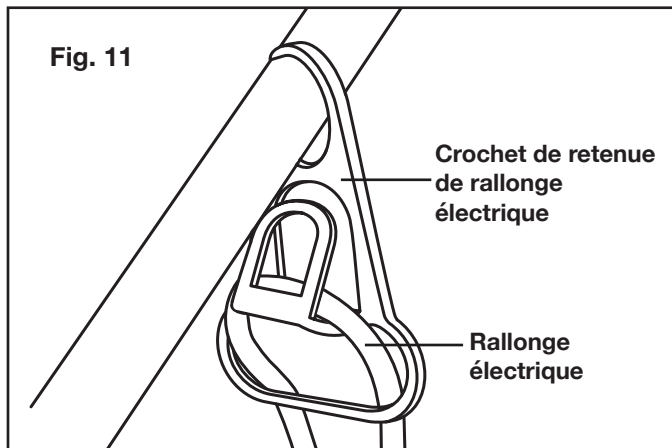
- Replacez la tondeuse à gazon sur ses roues et rattachez le sac à herbe.
- Rebranchez la tondeuse et reprenez normalement la tonte.

Branchement

Ne mettez pas en marche la tondeuse tant qu'elle n'est pas entièrement assemblée. Avant de mettre en marche la tondeuse, inspectez toujours son cordon d'alimentation et la rallonge électrique pour vérifier qu'ils ne sont pas endommagés. Utilisez uniquement des cordons intacts.

⚠️ AVERTISSEMENT! Les cordons d'alimentation endommagés présentent de graves dangers. Remplacer immédiatement tout cordon endommagé.

- Placez la machine sur une surface de pelouse bien horizontale.
- Formez une boucle avec l'extrémité de la rallonge électrique et faites passer la boucle à travers le trou du crochet de retenue de rallonge électrique. Faites glisser la boucle sur l'ergot pour que la rallonge électrique soit bien attachée (Fig. 11).



- Branchez la rallonge électrique dans le cordon de la machine, puis branchez la rallonge électrique sur le secteur.

REMARQUE : ne branchez pas la rallonge électrique sur le secteur tant qu'elle n'a pas été glissée dans le crochet de retenue de rallonge électrique et branchée dans le cordon d'alimentation de la tondeuse. Utilisez uniquement une rallonge homologuée UL pour l'extérieur et tout temps. N'utilisez pas de rallonge supérieure à 30 m.

Reportez-vous au tableau des rallonges électriques en page 2.

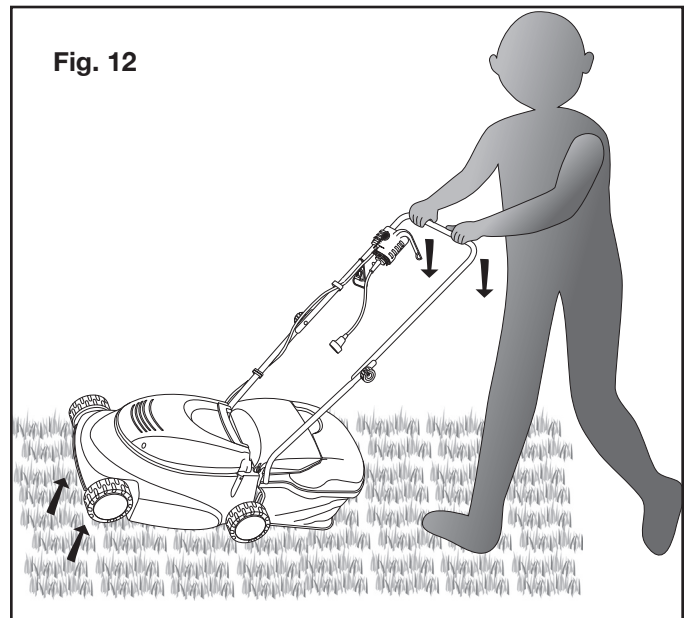
- Placez la partie lâche de la rallonge électrique sur la pelouse à proximité de l'endroit où vous allez commencer à tondre.

Démarrage et arrêt

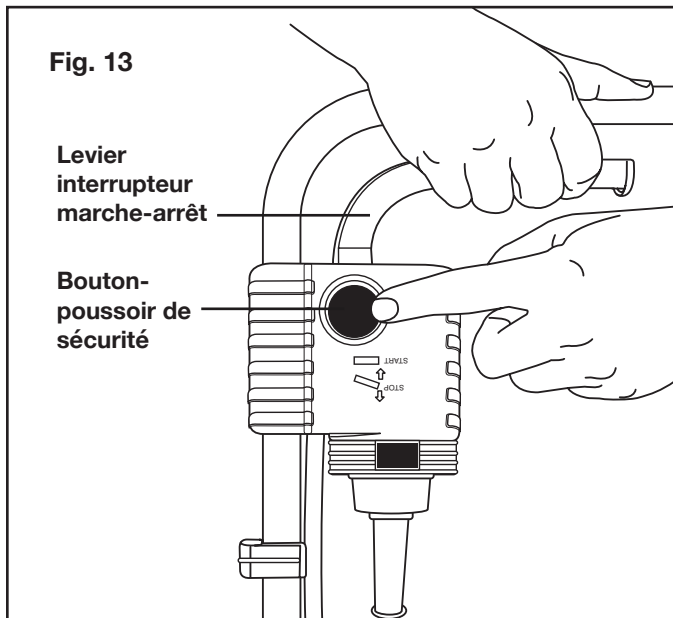
⚠️ AVERTISSEMENT! Avant de démarrer la tondeuse, vérifiez qu'elle n'est en contact avec aucun corps étranger. Maintenir les pieds et les mains à bonne distance de la lame rotative de la tondeuse et de l'ouverture d'éjection. Toute personne ne tenant pas compte de ces avertissements s'expose à de graves blessures.

IMPORTANT : ne démarrez pas la tondeuse dans de l'herbe haute.

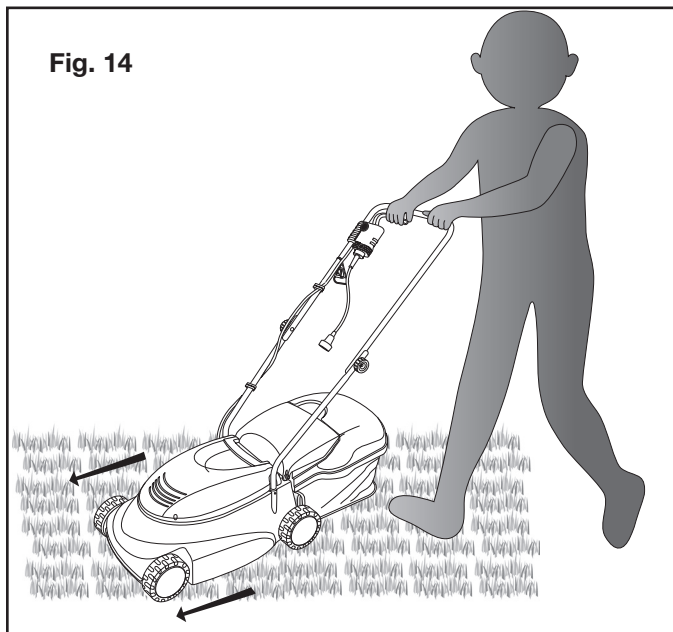
- Avant de démarrer la tondeuse à gazon électrique, tenez des deux mains l'ensemble poignée et inclinez la poignée vers le bas pour lever légèrement l'avant de la tondeuse. Vous réduirez ainsi le risque d'endommager la pelouse au démarrage (Fig. 12).



2. Pour démarrer la tondeuse à gazon électrique, appuyez sur le bouton-poussoir de sécurité en le maintenant enfoncé, puis tirez le levier-interrupteur marche-arrêt vers vous (Fig. 13).



3. Une fois que la machine tourne, relâchez le bouton-poussoir de sécurité et laissez le moteur monter en régime en abaissant doucement l'avant de la tondeuse pour commencer à tondre (Fig. 14).



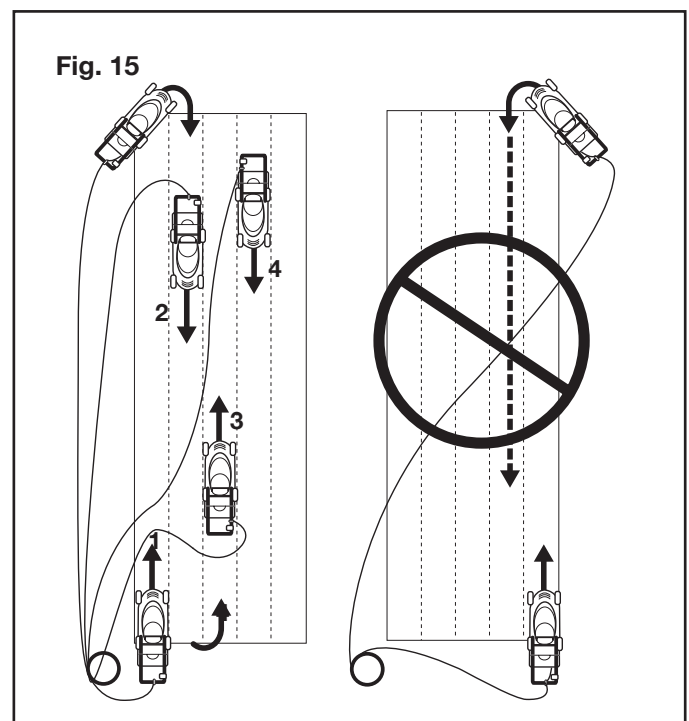
4. Pour arrêter la tondeuse, relâchez le levier-interrupteur marche-arrêt.

Conseils pour la tonte

⚠️ AVERTISSEMENT! Avant de tondre, inspecter la zone de travail. Retirer toutes les pierres, tous les bâtons, fils et autres débris qui pourraient être ramassés et projetés par la lame rotative.

⚠️ AVERTISSEMENT! En cas de heurt de la machine avec quoi que ce soit, arrêter le moteur et débrancher le cordon d'alimentation. Inspecter soigneusement la tondeuse pour vérifier si elle n'est pas endommagée. Réparer tout dommage avant de recommencer à tondre.

1. La méthode d'utilisation illustrée est recommandée pour un rendement maximal et pour réduire le risque que la rallonge électrique se trouve sur le chemin de la tondeuse.
2. Suivez ces instructions pour tondre votre pelouse :
 - A. Procédez comme l'indique la Fig. 15 en passant de la position 1 à la position 2.
 - B. Au niveau de la position 2, tournez à droite et dirigez-vous vers la position 3.
 - C. Continuez jusqu'à l'extrémité de la zone de tonte, tournez à gauche et dirigez-vous vers la position 4.
 - D. Procédez comme l'indique la Fig. 15, en vous éloignant toujours de la rallonge électrique.



IMPORTANT : la lame de la tondeuse continuera à tourner si le levier-interrupteur marche-arrêt est maintenu serré dans la main. N'essayez pas d'attraper la lame dans son carter ou de lever la tondeuse tant que la lame ne s'est pas complètement arrêtée et que la machine n'a pas été débranchée du secteur.

3. Assurez-vous d'inspecter périodiquement la lame pour vérifier si elle présente des signes d'usure et affutez-la au moins une fois par an comme cela est décrit dans la section sur l'entretien.

REMARQUE : une lame affûtée améliorera nettement le rendement de la tondeuse, spécialement quand il faut couper des herbes hautes.

Protection contre les surcharges

Le moteur est équipé d'une thermistance qui se ferme quand le moteur est surchargé et qui s'ouvre à nouveau automatiquement après une brève période de refroidissement.

⚠AVERTISSEMENT! La lame de la tondeuse continue à tourner pendant un bref instant une fois que le moteur de la machine a été coupé. Ne pas incliner ou transporter la machine quand le moteur tourne encore et ne pas toucher la lame pendant qu'elle est encore en rotation. Toute personne ne tenant pas compte de cet avertissement s'expose à de graves blessures.

Entretien

⚠AVERTISSEMENT! Avant de nettoyer, réparer ou inspecter la tondeuse, débrancher le cordon d'alimentation de la machine et vérifier que toutes les pièces mobiles sont complètement arrêtées.

Généralités

- Veillez à ce que la tondeuse soit toujours propre et qu'il n'y ait ni herbe, saleté ou autres débris accumulés dessus.
- Maintenez les poignées sèches, propres et exemptes d'huile et de graisse.
- Après chaque tonte, retirez l'herbe coupée et les débris s'étant accumulés à l'aide d'un chiffon propre ou d'une brosse à main. Vous pouvez également nettoyer le matériel à l'aide d'un chiffon humide et d'un savon doux et non abrasif. N'utilisez ni agents nettoyants ni solvants corrosifs, car ils peuvent endommager les pièces en plastique de la machine. Assurez-vous qu'il n'y ait pas d'eau qui pénètre à l'intérieur de la machine et qui puisse détruire l'interrupteur et le moteur électrique.
- Ne nettoyez pas la tondeuse à gazon à l'eau courante, particulièrement à l'eau à haute pression.
- Avant chaque utilisation, vérifiez que tous les écrous, boulons et vis sont correctement serrés.
- Inspectez fréquemment l'ensemble sac à herbe pour déceler la présence éventuelle de signes d'usure et remplacez immédiatement par une pièce d'origine Snow Joe® + Sun Joe® toute pièce endommagée.
- Remplacez immédiatement les composants excessivement usés ou endommagés.

- Pour prolonger au maximum la durée de vie de votre tondeuse, toutes les pièces vissées, y compris les roues et les arbres, doivent être nettoyées et lubrifiées. Il n'y a aucune pièce à l'intérieur de la machine qui nécessite un entretien ou une lubrification supplémentaire.

Entretien de la lame

IMPORTANT : la lame de tondeuse est acérée et peut provoquer de graves blessures si elle est manipulée de façon inappropriée. Enveloppez la lame ou portez des gants de protection et faites preuve d'une extrême prudence quand vous la manipulez.

La lame d'acier est conçue pour bien couper l'herbe haute ou drue. La détérioration de la qualité de coupe indique que la lame est usée ou endommagée. Suivez ces étapes pour déterminer si la lame nécessite d'être réaffûtée ou remplacée :

1. Débranchez la tondeuse du secteur.
2. Retournez la tondeuse sur son flanc pour pouvoir accéder au dessous du carter de lame.
3. Inspectez la lame.
 - a. Si la lame est émoussée ou présente une usure mineure, réaffutez-la. Pour de l'aide, veuillez appeler le service clientèle Snow Joe® + Sun Joe® au 1-866-SNOWJOE (1-866-766-9563).
 - b. Si la lame présente des signes d'usure majeure ou est gravement endommagée (c.-à-d., entaillée, recourbée), remplacez-la. Pour de l'aide, veuillez appeler le service clientèle Snow Joe® + Sun Joe® au 1-866-SNOWJOE (1-866-766-9563).

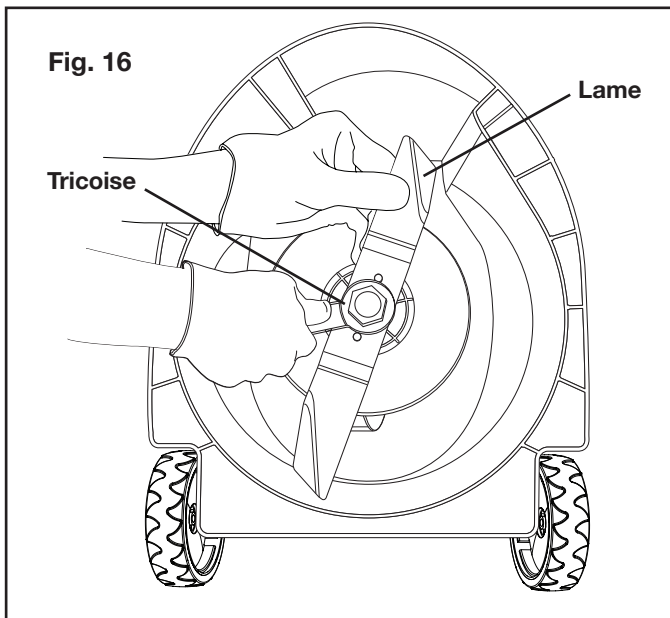
⚠AVERTISSEMENT! Si une tondeuse vibre de manière excessive, cela veut dire que la lame n'est pas bien équilibrée ou qu'elle s'est déformée en heurtant un objet. Dans ce cas, la lame doit être réparée ou remplacée. Veuillez suivre les procédures d'entretien de lame appropriées ou appeler le service clientèle Snow Joe® + Sun Joe® pour de l'aide au 1-866-SNOWJOE (1-866-766-9563).

Remplacement de lame

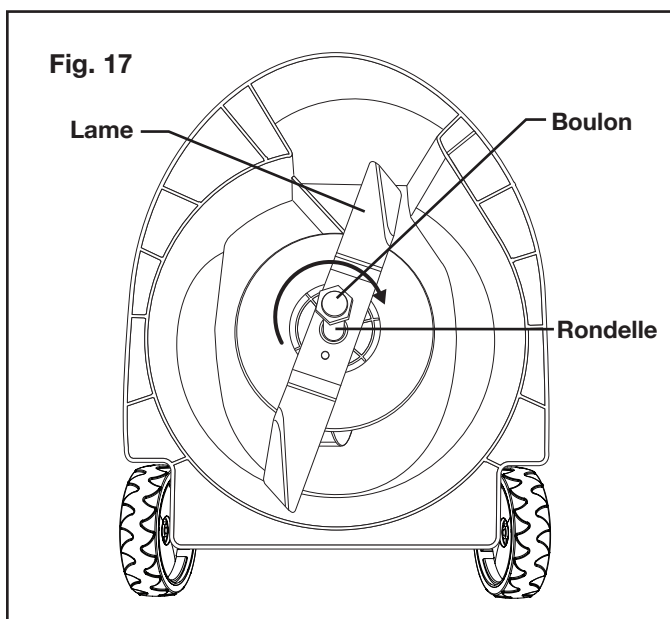
IMPORTANT : utilisez uniquement les pièces de rechange spécifiées pour cette tondeuse.

Vous pouvez acheter une lame de rechange (modèle MJ401E-11) et d'autres pièces de rechange d'origine en passant votre commande en ligne sur le site snowjoe.com, ou par téléphone en appelant le service clientèle Snow Joe® + Sun Joe® au 1-866-SNOWJOE (1-866-766-9563). L'utilisation de pièces qui ne répondent pas aux spécifications de la machine d'origine peut être la cause d'un rendement anormal de la tondeuse à gazon, peut compromettre la sécurité de l'utilisateur et annulera la garantie du fabricant.

1. Débranchez la tondeuse du secteur.
2. Retournez la tondeuse sur son flanc pour pouvoir accéder au dessous du carter de lame.
3. Utilisez un chiffon ou portez des gants résistants pour saisir la lame.
4. À l'aide de la tricoise fournie, retirez le boulon et la rondelle attachant la lame en tournant le boulon dans le sens contraire des aiguilles d'une montre, puis retirez avec précautions la lame (Fig. 16).



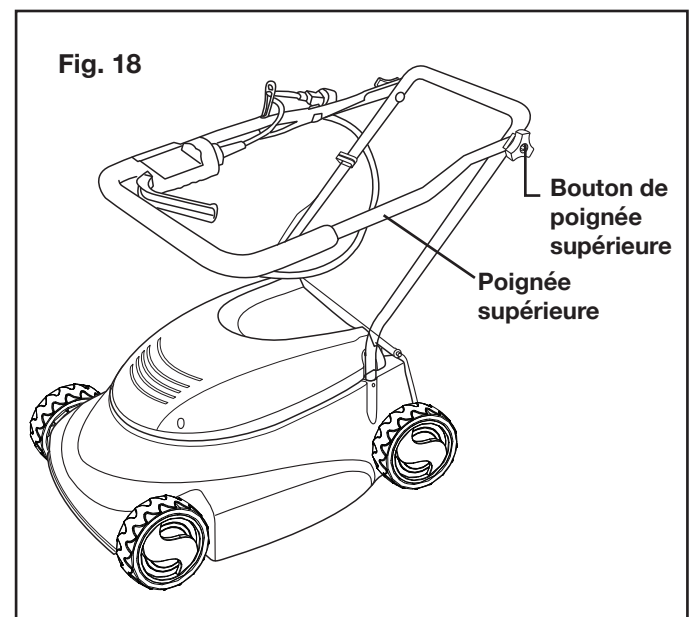
5. Remontez la lame neuve, la rondelle et le boulon en suivant en ordre inverse les mêmes étapes (Fig. 17).



Remisage

Suivez les étapes ci-dessous pour préparer la tondeuse à gazon avant son remisage :

1. Débranchez la tondeuse du secteur.
2. Nettoyez la tondeuse à l'aide d'un chiffon mouillé ou d'une brosse à main.
3. Inspectez soigneusement la tondeuse pour déceler la présence éventuelle de pièces usées, desserrées ou endommagées. Vérifiez les raccords et les vis et resserrez au besoin. Prêtez une attention particulière à la lame de la tondeuse et remplacez-la ou réaffûtez-la si elle présente des signes d'usure. Reportez-vous à la section sur l'entretien.
4. Remisez la tondeuse à l'intérieur dans un endroit sec, propre, frais et hors de portée des enfants. Ne remisez pas la machine à proximité de matériaux corrosifs, par exemple de l'engrais ou du chlorure de sodium.
5. Essuyez la rallonge électrique pour retirer toute substance étrangère, par exemple de l'huile ou des taches. Remplacez immédiatement la rallonge électrique si elle est coupée ou endommagée, d'une façon ou d'une autre.
6. Enroulez le cordon sur lui-même pour éviter qu'il s'entortille.
7. Ne recouvrez pas la tondeuse à gazon d'une bâche en plastique. Les couvertures en plastique retiennent l'humidité autour de la tondeuse, ce qui peut endommager la machine.
8. La poignée sur votre tondeuse à gazon peut se replier complètement pour économiser de l'espace. Commencez par desserrer les boutons de poignée de chaque côté de la poignée supérieure et repliez la poignée supérieure (Fig. 18).



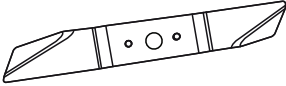
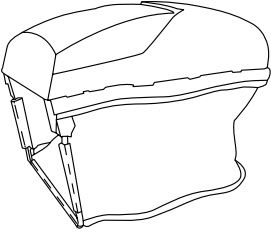
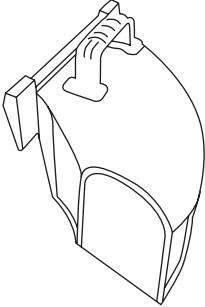
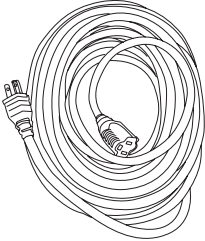
Dépannage

Problem	Solution
Le moteur ne tourne pas	<ul style="list-style-type: none"> • Débranchez la machine du secteur et vérifiez si la lame peut tourner librement. Si la tondeuse n'a pas été utilisée auparavant, laissez le moteur se refroidir, car il se pourrait que le frein électrique soit encore activé. • Vérifiez la tension de secteur, la rallonge électrique et le coupe-circuit (fusible). • Nettoyez le conduit d'éjection et le carter. • Démarrez la tondeuse sur de l'herbe rase ou dans un endroit préalablement tondu et inclinez-la vers l'arrière. • Corrigez la hauteur de coupe.
La puissance du moteur faiblit	<ul style="list-style-type: none"> • Vérifiez que vous utilisez une rallonge électrique appropriée, de calibre et de longueur adéquats (voir le Tableau des rallonges électriques en page 2). • La tension de secteur (p. ex., générateur) est trop faible. • Les ouvertures d'aération sont bouchées.
Le rendement du moteur chute	<ul style="list-style-type: none"> • Corrigez la hauteur de coupe. • Nettoyez le conduit d'éjection et le carter. • Remplacez ou réaffutez la lame de la tondeuse (communiquez avec un centre d'entretien et de réparation Snow Joe® + Sun Joe® agréé).
Le sac à herbe ne se remplit pas suffisamment	<ul style="list-style-type: none"> • Corrigez la hauteur de coupe. • Laissez sécher la pelouse. • Nettoyez la grille du sac à herbe. • Nettoyez le conduit d'éjection et le carter.

Seul un spécialiste de l'entreprise peut solutionner les pannes qui ne peuvent pas l'être à l'aide de ce tableau. Veuillez appeler le service clientèle Snow Joe® + Sun Joe® au 1-866-SNOWJOE (1-866-766-9563).

Accessoires

⚠️ AVERTISSEMENT! TOUJOURS utiliser des pièces de rechange et des accessoires Snow Joe® + Sun Joe® homologués. NE JAMAIS utiliser des pièces de rechange ou des accessoires qui ne sont pas destinés à être utilisés avec cet outil. Communiquez avec Snow Joe® + Sun Joe® si vous n'êtes pas sûr que l'utilisation d'une pièce de rechange ou d'un accessoire particulier avec votre outil soit sans danger. L'utilisation de tout autre accessoire ou de toute autre pièce détachée peut être dangereuse et pourrait provoquer des dommages corporels ou mécaniques.

Accessoires	Description	Modèle
<p>①</p> 	<p>Lame de tondeuse 35,6 cm</p>	<p>MJ401E-11</p>
<p>②</p> 	<p>Sac à herbe 40 l</p>	<p>MJ401E-10</p>
<p>③</p> 	<p>Accessoire d'éjection latérale pour tondeuse à gazon</p>	<p>MJ401E-DCA</p>
<p>④</p> 	<p>Rallonge électrique 15 m de calibre 14 Snow Joe® + Sun Joe® SJTW-A dont les extrémités s'éclairent quand elle est sous tension.</p>	<p>PJEXT50-B</p>

REMARQUE : les accessoires sont sous réserve de changements sans que Snow Joe® + Sun Joe® soit pour autant tenue de donner un préavis desdits changements. Les accessoires peuvent être commandés en ligne sur le site sunjoe.com ou par téléphone en appelant le service clientèle Snow Joe® + Sun Joe® au 1-866-SNOWJOE (1-866-766-9563).



LA PROMESSE DE SNOW JOE® + SUN JOE® À SES CLIENTS

Vous êtes notre client et Snow Joe, LLC (« Snow Joe ») **SE MET EN QUATRE** pour vous servir. Nous nous efforçons de vous rendre l'utilisation de nos produits aussi plaisante que possible. Malheureusement, il peut arriver qu'un produit Snow Joe®, Sun Joe® ou Aqua Joe (« Produit ») ne fonctionne pas ou se casse dans des conditions d'utilisation normales. Nous pensons qu'il est important que vous sachiez ce que vous pouvez attendre de nous. C'est pourquoi nous avons une garantie limitée (« Garantie ») pour nos Produits.

NOTRE GARANTIE :

Snow Joe déclare et garantit que les Produits neufs, d'origine, électriques ou non électriques sont exempts de vices de matière ou de fabrication et, lorsqu'ils font l'objet d'une utilisation résidentielle et ménagère ordinaire, les garantit pendant une période de deux ans à compter de la date d'achat au détail par l'acheteur primitif auprès de Snow Joe ou d'un des revendeurs agréés de Snow Joe, preuve d'achat à l'appui. Étant donné que Snow Joe ne peut pas contrôler la qualité de ses Produits vendus par des revendeurs non agréés, sauf stipulation contraire de la loi, la présente Garantie ne couvre pas les Produits achetés auprès de vendeurs non agréés. Si votre Produit ne fonctionne pas ou si une pièce spécifique couverte par les modalités de la présente Garantie fait l'objet d'un problème quelconque, Snow Joe choisira (1) de vous envoyer une pièce de rechange gratuite, (2) de remplacer le Produit par un produit neuf ou comparable, gratuitement, ou (3) de réparer le Produit. Génial, n'est-ce pas?

La présente Garantie vous donne des droits judiciaires spécifiques, et vous pouvez également avoir d'autres droits qui peuvent varier d'une province ou d'un territoire à l'autre.

ENREGISTREMENT DU PRODUIT :

Snow Joe vous recommande vivement d'enregistrer votre Produit. Vous pouvez l'enregistrer en ligne sur le site snowjoe.com/register, ou en imprimant et en envoyant par courrier une carte d'enregistrement offerte en ligne sur notre site Web, ou par téléphone en appelant notre Service à la clientèle au **1-866-SNOWJOE (1-866-766-9563)**, ou encore en nous envoyant un courriel à l'adresse help@snowjoe.com. Le fait de ne pas enregistrer l'achat de votre Produit n'a aucune conséquence sur vos droits concernant la garantie. Toutefois, l'enregistrement de votre Produit permettra à Snow Joe de mieux répondre au moindre besoin que vous pourriez avoir en matière de service à la clientèle.

QUI PEUT REVENDIQUER LA COUVERTURE DE LA GARANTIE?

La présente Garantie est étendue par Snow Joe à l'acheteur et propriétaire primitif du Produit.

QU'EST-CE QUI N'EST PAS COUVERT?

La présente Garantie ne s'applique pas si le Produit a été utilisé commercialement, pour des travaux non résidentiels ou s'il fait l'objet d'une location. La présente Garantie ne s'applique pas non plus si le Produit a été acheté auprès d'un revendeur non agréé. La présente garantie ne couvre pas non plus les changements cosmétiques qui n'affectent pas le rendement. Les pièces d'usure comme les courroies, les tarières, les chaînes et les dents ne sont pas couvertes au titre de la présente Garantie et peuvent être achetées en ligne sur le site snowjoe.com ou en appelant le **1-866-SNOWJOE (1-866-766-9563)**.



sunjoe.com