



CORDLESS GRASS TRIMMER

24V MAX* | 4.0 Ah | 14-INCH

OPERATOR'S MANUAL

A Division of Snow Joe®, LLC

Model 24V-ST14B

Form No. SJ-24V-ST14B-880E-M

IMPORTANT! Safety Instructions

All Operators Must Read These Instructions Before Use

Read all the instructions contained in this manual. Keep this manual in a safe place, so that the information is available at all times. If you give the equipment to another person, make sure to provide these operating instructions. Basic safety precautions should always be followed to reduce the risk of fire, electric shock, and personal injury.

⚠ DANGER! This indicates a hazardous situation, which, if not followed, will result in serious injury or death.

⚠ WARNING! This indicates a hazardous situation, which, if not followed, could result in serious injury or death.

⚠ CAUTION! This indicates a hazardous situation, which, if not followed, could result in minor or moderate injury.

Improper use of the machine will invalidate the warranty, relieve the manufacturer from all liabilities. The user will consequently be liable for all and any damage or injury to himself/herself or others.

⚠ DANGER! The cordless grass trimmer should only be used for cutting lawns and for trimming along the borders of flower beds. Other uses of the grass trimmer that are not indicated in these instructions could damage the unit or seriously injure the operator.

General Safety

- 1. Avoid dangerous environments** – Do not use appliances in damp or wet locations. Do not use in rain.
- 2. Keep children and bystanders away** – Children and other spectators, including pets, should be kept at least 50 feet (15 meters) away from the work area. When the grass is cut, stones and debris contained in the grass can be picked up by the grass trimmer and dispersed into the air. These flying projectiles can cause blindness or other bodily injury.
- 3. Dress properly** – Always wear suitable clothing when using the grass trimmer to prevent head, hand, or feet injuries. Do not wear loose clothing or jewelry. They can get caught in moving parts.

- 4. Use safety glasses** – Also use safety footwear, snug-fitting clothing, protective gloves, hearing and head protection.
- 5. Use the right tools** – Do not use tools for any job except that for which they are intended.
- 6. Avoid unintentional starting** – Do not carry the tool with finger on the trigger. Make sure the switch is off before inserting the battery.
- 7. Do not force the tool** – It will do the job better and with less likelihood of injury if it is used at the rate for which it was designed.
- 8. Do not overreach** – Keep proper footing and balance at all times.
- 9. Stay alert** – Watch what you are doing. Use common sense. Do not operate the grass trimmer when you are tired, or under the influence of alcohol or drugs.
- 10. Disconnect the tool** – Turn the grass trimmer off and remove the battery when: the unit is not in use; it is left unattended; it is being examined because it is not working correctly; the cutting line is being removed or changed; or when the trimmer is being moved from one place to another.
- 11. Store idle tools indoors** – When not in use, tools should be stored indoors in a dry and high or locked-up place out of the reach of children.
- 12. Maintain tools with care** – Keep cutting lines sharp and clean for best performance and to reduce the risk of injury. Follow instructions for maintenance and changing accessories. Repair the grass trimmer only at an authorized service facility. Keep handles dry, clean, and free from oil and grease.
- 13. Checked for damaged parts** – Before continuing to use the grass trimmer, a guard or other part that is damaged should be carefully checked to determine that it will operate properly and perform its intended function. Check for the alignment of moving parts, binding of moving parts, breakage of parts, mounting, and any other condition that may affect the tool's operation. A guard or other part that is damaged should be properly repaired or replaced by an authorized service center unless indicated elsewhere in this manual.

⚠ CAUTION! The safety guard is critical to the safety of the operator and the safety of people standing within a safe distance of the grass trimmer. The safety guard keeps the unit in good working order and must always be in place during operation. Failure to have the guard in place during operation is dangerous and will void the warranty.

- 14. **Keep away from the cutting line** – It can seriously injure the skin.
- 15. **Do not try to stop the cutting device with your hands** – Always let it come to a stop by itself.
- 16. **Stay alert** – Watch what you are doing. Use common sense. Do not operate the grass trimmer when you are tired or under the influence of drugs, alcohol, or other medication.

⚠ CAUTION! The trimmer line spool will continue to rotate after turning the trimmer OFF. Wait until the trimmer line spool has completely stopped before making contact.

- Only use the same type of line originally provided with the tool.
- Do not use the unit to cut grass that is not in contact with the ground.
- Do not switch the grass trimmer ON in enclosed or poorly ventilated spaces or in the presence of flammable and/or explosive substances such as liquids, gases, and powders.
- The user of the grass trimmer is responsible for any damage sustained by third parties that has been caused by the grass trimmer within the working area.
- Only cut during broad daylight or with adequate artificial light.
- Do not cross roads or gravel paths while the unit is still running.
- When the grass trimmer is not in use, store it in a dry place and out of the reach of children.
- The grass trimmer must be operated in a vertical position, perpendicular to the ground.
- Check regularly that all screws are properly secured.

Battery + Charger Safety Instructions

We pay a great deal of attention to the design of every battery pack to ensure that we supply you with batteries that are safe, durable and have a high energy density. The battery cells have a wide range of safety devices. Each individual cell is initially formatted and its electrical characteristic curves are recorded. This data is then used exclusively to be able to assemble the best possible battery packs.

Despite all the safety precautions, caution must always be exercised when handling batteries. The following points must be obeyed at all times to ensure safe use. Safe use can only be guaranteed if undamaged cells are used. Incorrect handling of the battery pack can cause cell damage.

IMPORTANT! Analyses confirm that incorrect use and poor care of high-performance batteries are the main factors responsible for personal and/or product damage.

⚠ WARNING! Use only approved replacement batteries; other batteries may damage the power tool and cause it to malfunction, which can lead to serious personal injury.

⚠ WARNING! Do not use a battery pack or appliance that is damaged or modified. Damaged or modified batteries may exhibit unpredictable behavior resulting in fire, explosion or risk of injury.

Do not modify or attempt to repair the appliance or the battery pack except as indicated in the instructions for use and care.

Have your battery pack serviced by a qualified repair person using only identical replacement parts. This will ensure that the safety of the battery pack is maintained.

⚠ CAUTION! To reduce the risk of injury, charge the Sun Joe® 24V lithium-ion battery pack only in its designated Sun Joe® lithium-ion charger. Other types of chargers present risk of fire, personal injury and damage. Do not wire a battery pack to a power supply plug or car cigarette lighter. Such misuse will permanently disable or damage the battery pack.

- **Avoid dangerous environments** – Do not charge the battery pack in rain, snow or in damp or wet locations. Do not use the battery pack or charger in the presence of explosive atmospheres (gaseous fumes, dust or flammable materials) because sparks may be generated when inserting or removing the battery pack, which could lead to a fire.
- **Charge in a well-ventilated area** – Do not block the charger vents. Keep them clear to allow for proper ventilation. Do not allow smoking or open flames near a charging battery pack. Vented gases may explode.

NOTE: The safe temperature range for the battery is 41°F – 105°F (5°C – 40.5°C). Do not charge the battery outside in freezing weather; charge it at room temperature.

- **Maintain charger cord** – When unplugging the charger, pull the plug, not the cord, from the receptacle to reduce the risk of damage to the electrical plug and cord. Never carry the charger by its cord or yank it by the cord to disconnect it from the receptacle. Keep the cord away from heat, oil and sharp edges. Make sure the cord will not be stepped on, tripped over or subjected to damage or stress when the charger is in use. Do not use the charger with a damaged cord or plug. Replace a damaged charger immediately.
- **Do not use an extension cord unless it is absolutely necessary** – Using the wrong, damaged or improperly wired extension cord poses a risk of fire and electric shock. If an extension cord must be used, plug the charger into a properly wired 16 gauge or larger extension cord with the female plug matching the male plug on the charger. Make sure that the extension cord is in good electrical condition.
- **Charger 24VCHRG-QC is rated for 120 volt AC only** – The charger must be plugged into an appropriate receptacle.
- **Use only recommended attachments** – Use of an attachment not recommended or sold by the battery

charger or battery pack manufacturer may result in risk of fire, electric shock or personal injury.

- **Unplug charger when not in use** – Make sure to disconnect battery pack from unplugged charger.

⚠️ WARNING! To reduce the risk of electric shock, always unplug the charger before performing any cleaning or maintenance. Do not allow water to flow into the charger. Use a Ground Fault Circuit Interrupter (GFCI) to reduce shock hazards.

- **Do not burn or incinerate battery pack** – Battery pack may explode, causing personal injury or damage. Toxic fumes and materials are created when battery packs are burned.
- **Do not crush, drop or damage battery pack** – Do not use the battery pack or charger if they have sustained a sharp blow, been dropped, run over or have been damaged in any way (i.e. pierced with a nail, hit with a hammer, stepped on, etc.).
- **Do not disassemble** – Incorrect reassembly may pose a serious risk of electric shock, fire or exposure to toxic battery chemicals. If the battery or charger are damaged, contact an authorized Snow Joe® + Sun Joe® dealer or call the Snow Joe® + Sun Joe® customer service center at 1-866-SNOWJOE (1-866-766-9563) for assistance.
- **Battery chemicals cause serious burns** – Never let a damaged battery pack contact the skin, eyes or mouth. If a damaged battery pack leaks battery chemicals, use rubber or neoprene gloves to safely dispose of it. If skin is exposed to battery fluids, wash the affected area with soap and water and rinse with vinegar. If eyes are exposed to battery chemicals, immediately flush with water for 20 minutes and seek medical attention. Remove and dispose of contaminated clothing.
- **Do not short circuit** – When battery pack is not in use, keep it away from other metal objects, like paper clips, coins, keys, nails, screws or other small metal objects that can make a connection from one terminal to another. Shorting the battery terminals together may cause burns or a fire.
- **Store your battery pack and charger in a cool, dry place** – Do not store the battery pack or charger where temperatures may exceed 105°F (40.5°C), such as in direct sunlight or inside a vehicle or metal building during the summer.

Information about the battery

1. The battery pack supplied with your cordless grass trimmer is only partially charged. The battery pack has to be charged completely before you use the tool for the first time.
2. For optimum battery performance, avoid low discharge cycles by charging the battery pack frequently.
3. Store the battery pack in a cool place, ideally at 77°F (25°C) and charged to at least 40%.
4. Lithium-ion batteries are subject to a natural aging process. The battery pack must be replaced at the latest

when its capacity falls to just 80% of its capacity when new. Weakened cells in an aged battery pack are no longer capable of meeting the high power requirements needed for the proper operation of your cordless grass trimmer, and therefore pose a safety risk.

5. Do not throw the battery pack into an open fire as this poses a risk of explosion.
6. Do not ignite the battery pack or expose it to fire.
7. Do not exhaustively discharge batteries. Exhaustive discharge will damage the battery cells. The most common cause of exhaustive discharge is lengthy storage or non-use of partially discharged batteries. Stop working as soon as the performance of the battery falls noticeably or the electronic protection system triggers. Place the battery pack in storage only after it has been fully charged.
8. Protect the battery and the tool from overloads. Overloads will quickly result in overheating and cell damage inside the battery housing even if this overheating is not apparent externally.
9. Avoid damage and shocks. Immediately replace batteries that have been dropped from a height of more than 3 feet (1 meter) or those that have been exposed to violent shocks, even if the housing of the battery pack appears to be undamaged. The battery cells inside the battery may have suffered serious damage. In such instances, please read the waste disposal information for proper battery disposal.
10. If the battery pack suffers overloading and overheating, the integrated protective cutoff will switch off the equipment for safety reasons.
IMPORTANT! Do not press the power supply button any more if the protective cut-off has been activated. This may damage the battery pack.
11. Recharge only with the charger specified by the manufacturer. A charger that is suitable for one type of battery pack may create a risk of fire when used with another battery pack.
12. Use appliances only with specifically designated battery packs. Use of any other battery packs may create a risk of injury and fire.
13. Under abusive conditions, liquid may be ejected from the battery; avoid contact. If contact accidentally occurs, flush with water. If liquid contacts eyes, additionally seek medical help. Liquid ejected from the battery may cause irritation or burns.
14. Do not use a battery pack or appliance that is damaged or modified. Damaged or modified batteries may exhibit unpredictable behavior resulting in fire, explosion or risk of injury.
15. Do not expose a battery pack or appliance to fire or excessive temperature. Exposure to fire or temperature above 265°F (130°C) may cause explosion.
16. Follow all charging instructions and do not charge the battery pack or appliance outside of the temperature range specified in the instructions. Charging improperly or at temperatures outside of the specified range may damage the battery and increase the risk of fire.

Information about the charger and the charging process









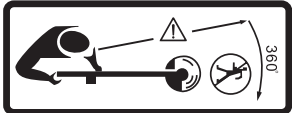
1. Please check the data marked on the rating plate of the battery charger. Be sure to connect the battery charger to a power supply with the voltage marked on the rating plate. Never connect it to a different mains voltage.
2. Protect the battery charger and its cord from damage. Keep the charger and its cord away from heat, oil and sharp edges. Have damaged cords repaired without delay by a qualified technician at an authorized Snow Joe® + Sun Joe® dealer or call the Snow Joe® + Sun Joe® customer service center at 1-866-SNOWJOE (1-866-766-9563).
3. Electrical plugs must match the outlet. Never modify the plug in any way. Do not use any adapter plugs with grounded appliances. Unmodified plugs and matching outlets will reduce the risk of electric shock.
4. Keep the battery charger, battery pack and the cordless tool out of the reach of children.
5. Do not use the supplied battery charger to charge other cordless tools.
6. During periods of heavy use, the battery pack will become warm. Allow the battery pack to cool to room temperature before connecting with the charger to recharge.
7. Do not overcharge batteries. Do not exceed the maximum charging times. These charging times only apply to discharged batteries. Frequent insertion of a charged or partially charged battery pack will result in overcharging and cell damage. Do not leave batteries in the charger for days on end.
8. Never use or charge the battery if you suspect that it has been more than 12 months since the last time they were charged. There is a high probability that the battery pack has already suffered dangerous damage (exhaustive discharge).
9. Charging batteries at a temperature below 41°F (5°C) will cause chemical damage to the cells and may cause a fire.
10. Do not use batteries that have been exposed to heat during the charging process, as the battery cells may have suffered dangerous damage.
11. Do not use batteries that have suffered curvature or deformation during the charging process or those that exhibit other atypical symptoms (gassing, hissing, cracking, etc.).
12. Never fully discharge the battery pack (maximum recommended depth of discharge is 80%). A complete discharge of the battery pack will lead to premature aging of the battery cells.

Protection from environmental influences

1. Protect your cordless tool and the battery charger from moisture and rain. Moisture and rain can cause dangerous cell damage.
2. Do not use the cordless tool or the battery charger near vapors and flammable liquids.
3. Use the battery charger and cordless tools only in dry conditions and at an ambient temperature of 41°F – 105°F (5°C – 40.5°C).
4. Do not keep the battery charger in places where the temperature is liable to reach over 105°F (40.5°C). In particular, do not leave the battery charger in a car that is parked in the sunshine.
5. Protect batteries from overheating. Overloads, overcharging and exposure to direct sunlight will result in overheating and cell damage. Never charge or work with batteries that have been overheated – replace them immediately, if possible.
6. Store the charger and your cordless tool only in dry locations with an ambient temperature of 41°F – 105°F (5°C – 40.5°C). Store your lithium-ion battery pack in a cool, dry place at a temperature of 77°F (25°C). Protect the battery pack, charger and cordless tool from humidity and direct sunlight. Only place fully charged batteries in storage (charged to at least 40%).
7. Prevent the lithium-ion battery pack from freezing. Battery packs that were stored below 32°F (0°C) for more than 60 minutes must be discarded.
8. When handling batteries, be wary of electrostatic charge. Electrostatic discharges can damage the electronic protection system and the battery cells. Avoid electrostatic charging and never touch the battery poles.

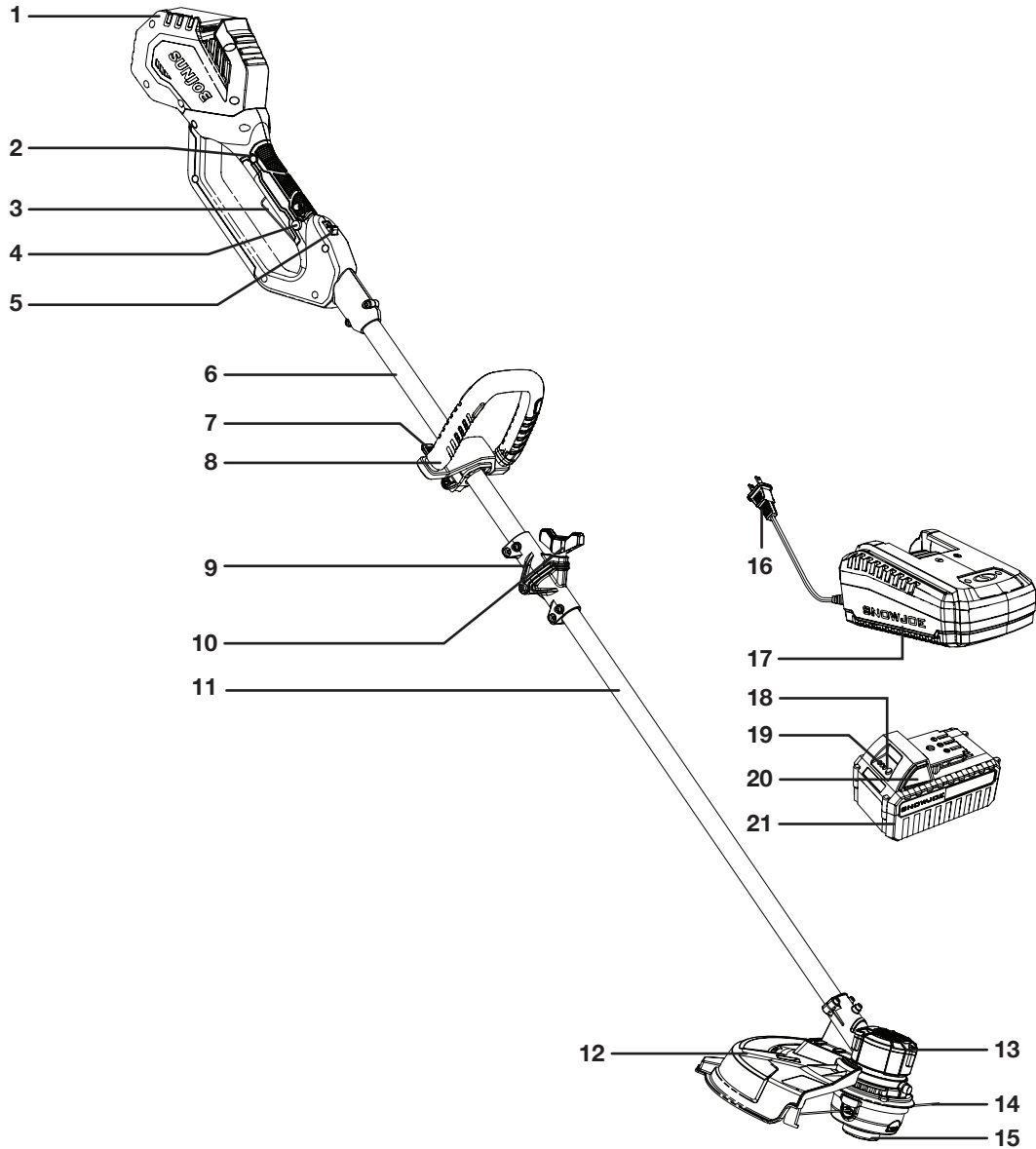
Safety Symbols

The following table depicts and describes safety symbols that may appear on this product. Read, understand, and follow all instructions on the machine before attempting to assemble and operate.

Symbols	Descriptions	Symbols	Descriptions
	READ THE OPERATOR'S MANUAL(S) – Read, understand, and follow all instructions in the user manual(s) before attempting to assemble and operate.		Keep bystanders and children a safe distance away.
	SAFETY ALERT – Indicates a precaution, a warning, or a danger.		WARNING! Do not expose the unit to rain or wet conditions.
	WEAR EYE AND HEARING PROTECTION – For protection against injury, wear ear defenders and safety goggles.		Beware of flying objects and debris.
	Wear protective gloves when using the machine and handling debris.		Indoor use only. Only use battery charger indoors.
	DANGER! Beware of thrown objects to bystanders. Keep bystanders at least 15 m (50 ft) away from the machine.		

Know Your Cordless Grass Trimmer

Read the owner's manual and safety instructions carefully before operating the cordless grass trimmer. Compare the illustration below to your cordless grass trimmer in order to familiarize yourself with the location of the various controls and adjustments. Save this manual for future reference.



- 1. Battery compartment
- 2. Handle grip
- 3. Trigger switch
- 4. Safety lock button
- 5. Speed setting
- 6. Upper aluminum shaft
- 7. Auxiliary handle lock

- 8. Auxiliary handle
- 9. Shaft joints
- 10. Locking knob
- 11. Lower aluminum shaft
- 12. Safety guard
- 13. Spool housing
- 14. Cutting line

- 15. Spool
- 16. Charger plug
- 17. 24V iON+ lithium-ion quick charger (24VCHRG-QC)
- 18. Push button for battery indicator
- 19. Battery indicator
- 20. Push lock button (2)
- 21. iON+ 24V lithium-ion battery (24VBAT) featuring exclusive EcoSharp® technology

Technical Data

Motor	450 W Brushless
Battery Voltage Max*	24V D.C.
Battery Capacity	4.0 Ah
Battery Runtime Max	16 min (trims up to 1290 sq ft of grass)
Charger Input	120V AC, 60 Hz, 75 W
Charger Output	26V DC, 2.2A
Charge Time Max	1 hr 50 min
Cutting Width Max	14 in. (35.6 cm)
Cutting Speed	Low 4500 rpm High 6000 rpm
Trimmer Line Length	16.4 ft. (5 m)
Trimmer Line Diameter	0.080 in. (2 mm)
Aluminum Shaft Length.....	6 ft (1.8 m)
Spool Advance	Bump feed
Net weight	8.4 lbs (3.8kg)

*Initial no-load voltage, when fully charged, peaks at 24 volts; nominal voltage under typical load is 21.6 volts.

Unpacking

Carton Contents

- Cordless grass trimmer
- Safety guard
- Safety guard screws (4)
- Auxiliary handle
- iON+ 24V lithium-ion battery
- iON+ 24V lithium-ion battery charger
- Manual with registration card

1. Carefully remove the cordless grass trimmer and check to see that all of the above items are supplied.
2. Inspect the product carefully to make sure no breakage or damage occurred during shipping. If you find damaged or missing parts, DO NOT return the unit to the store. Please call the Snow Joe® + Sun Joe® customer service center at 1-866-SNOWJOE (1-866-766-9563).

NOTE: Do not discard the shipping carton and packaging material until you are ready to use the cordless grass trimmer. The packaging is made of recyclable materials. Properly dispose of these materials in accordance with local regulations or save the packaging for long-term product storage.

IMPORTANT! The equipment and packaging material are not toys. Do not let children play with plastic bags, foils, or small parts. These items can be swallowed and pose a suffocation risk!





Battery Pack Operation

The equipment is powered by a lithium-ion battery. The battery pack is completely sealed and maintenance free.

Battery Charge Level Indicator

The battery pack is equipped with a push button for checking the charge level. Simply press the push button to read off the battery charge level from the LEDs of the battery indicator:

- All 3 level monitoring LEDs are lit: Battery charge level is high.
- 2 level monitoring LEDs are lit: Battery charge level is decreasing. Turn off the cordless grass trimmer as soon as possible.
- 1 level monitoring LED is lit: Battery is flat. Turn off the cordless grass trimmer IMMEDIATELY and charge the battery. Otherwise the battery's service life will be greatly shortened.

Lights	Light Indicators
	Charge level button
	The battery is at 30% capacity and requires charging
	The battery is at 60% capacity and requires charging soon
	The battery is at full capacity

NOTE: If the charge level button does not appear to be working, insert the charger and charge as needed.

NOTE: Immediately after using the battery pack, the charge level button may display a lower charge than it will if checked a few minutes later. The battery cells “recover” some of their charge after resting.

Charger Operation

⚠WARNING! Charge only Sun Joe® 24V lithium-ion battery pack with its compatible Sun Joe® 24V lithium-ion charger. Other types of batteries may cause personal injury and damage.

To reduce the risk of electric shock, do not allow water to flow into the charger's AC/DC plug.

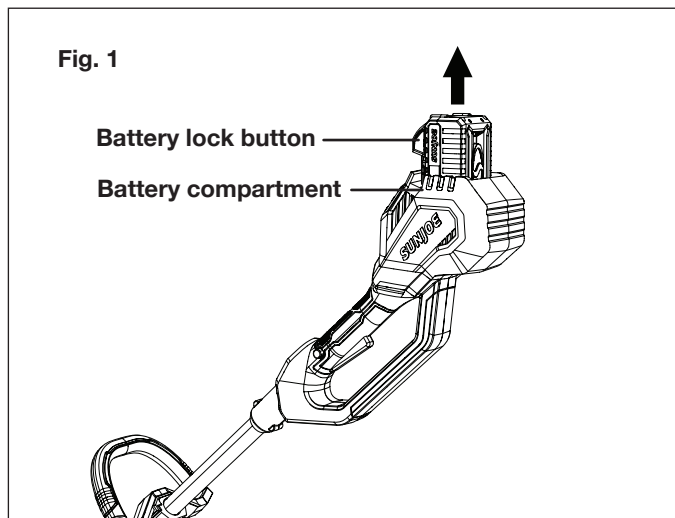
When to Charge the iON+ 24VBAT Lithium-ion Battery

NOTE: The iON+ 24VBAT lithium-ion battery pack does not develop a "memory" when charged after only a partial discharge. Therefore, it is not necessary to run down the battery pack before charging.

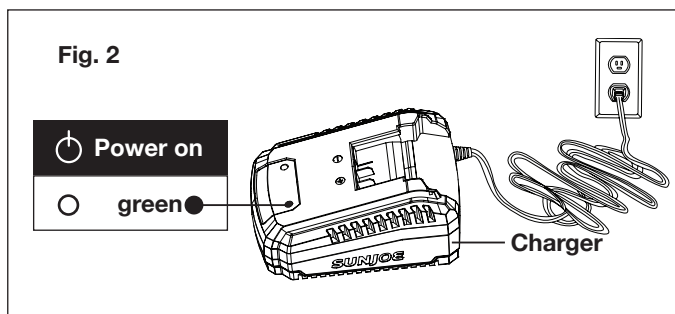
- Use the battery indicator lights to determine when to charge your iON+ 24VBAT lithium-ion battery pack.
- You can "top-off" your battery pack's charge before or after a long day of use.

Charging the Battery

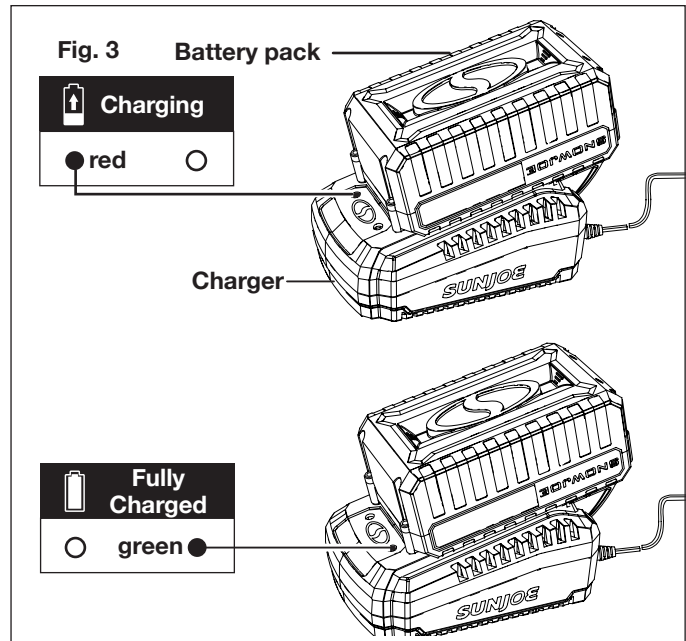
1. Push the push lock buttons on the battery to pull the battery pack out from the battery compartment (Fig. 1).



2. Check that the mains voltage is the same as that marked on the rating plate of the battery charger. Then, insert the charger's plug into the electrical wall outlet. When you plug in the charger, the top right green light will illuminate and stay green (Fig. 2).



3. Place the battery pack into the charger by sliding the pack to lock it into position. When you insert the battery into the charger, the top right green light will go off, and the top left red light will illuminate to indicate that the battery is charging (Fig. 3).



4. When the charger light turns green, the battery is fully charged (Fig. 3).

NOTE: A fully discharged pack with an internal temperature in the normal range will fully charge in 1 hr 50 mins (between 32°F/0°C and 113°F/45°C).
5. If the light indicators do not come on at all, check that the battery pack is fully seated into the bay. Remove the battery pack and reinsert. If the problem persists, contact an authorized Snow Joe® + Sun Joe® dealer or call the Snow Joe® + Sun Joe® customer service center at 1-866-SNOWJOE (1-866-766-9563) for assistance.
6. When charging is complete, remove the battery from the charger by pressing the push lock buttons and sliding the battery backward to unlock it from the charger.

Assembly

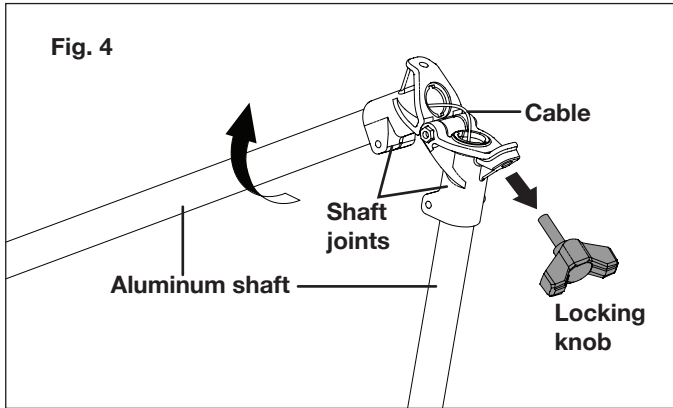
⚠ WARNING! Do not insert the battery until assembly is complete. Failure to comply could result in accidental starting and possible serious personal injury.

Unfolding the Aluminum Shaft

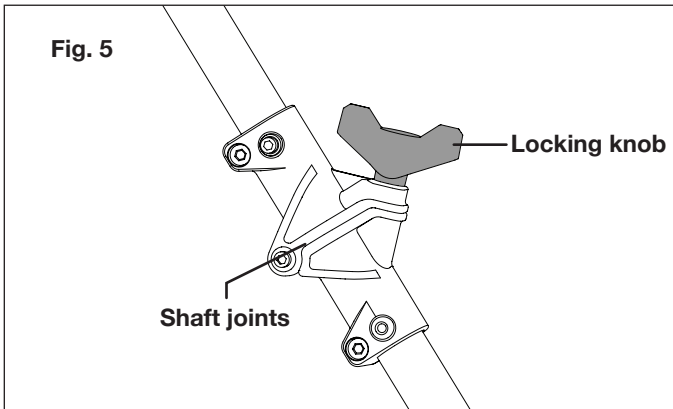
⚠ WARNING! In order to avoid pinching your hands or fingers, do not hold the shaft at the joints.

⚠ WARNING! Do not attempt to start the grass trimmer until the aluminum shaft has been locked.

1. Remove the battery pack from the grass trimmer.
2. Put the grass trimmer on the ground, unscrew the locking knob from the shaft joint (Fig. 4).
3. Carefully unfold the aluminum shaft. Make sure that the cable is inside the shaft so that it will not be pinched when closing the joints (Fig. 4).



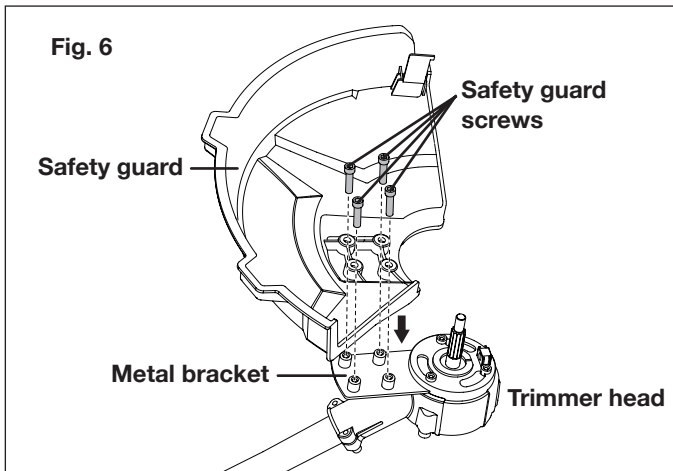
4. Lock the aluminum shaft with the locking knob (Fig. 5).



Fitting the Safety Guard

⚠ WARNING! The safety guard must be properly installed. The guard provides the operator and other bystanders with some protection from thrown objects.

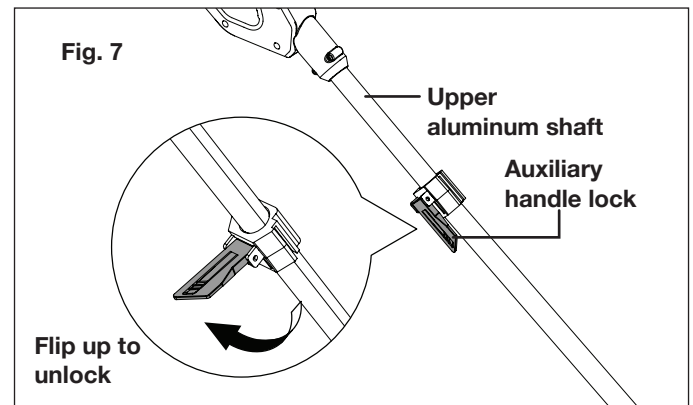
1. Lay the trimmer on the ground with the trimmer head facing upward.
2. Place the safety guard on the metal bracket and align with the 4 mounting holes. Secure the safety guard to the metal bracket with the screws provided (Fig. 6).



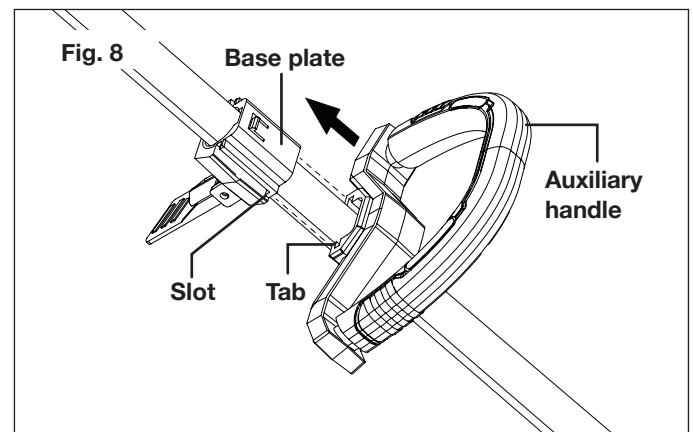
NOTE: Never use the tool unless the safety guard is properly fitted.

Fitting the Auxiliary Handle

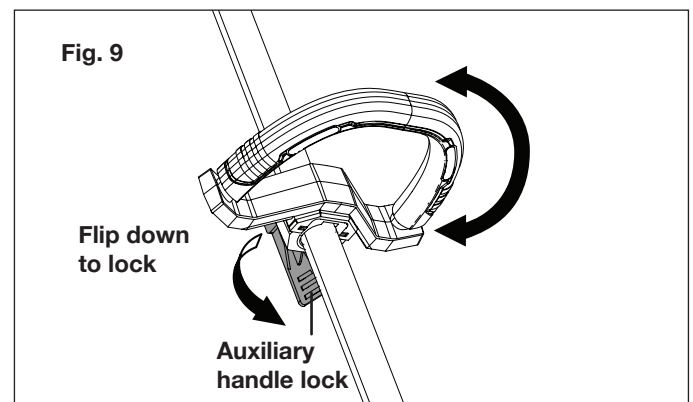
1. Flip the auxiliary handle lock up to release the handle lock. (Fig. 7).



2. Slide the auxiliary handle onto the base plate. Make sure the tabs on both sides of the auxiliary handle slide into the slots on the base plate. Push until it clicks into position (Fig. 8).



3. Adjust the auxiliary handle to a comfortable working position. Lock the auxiliary handle by flipping the handle lock down (Fig. 9).



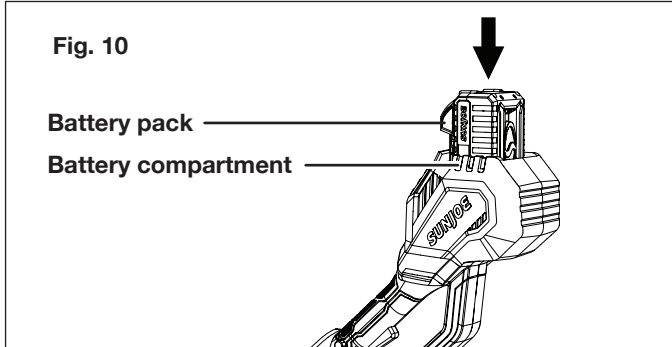
Operation

Starting + Stopping

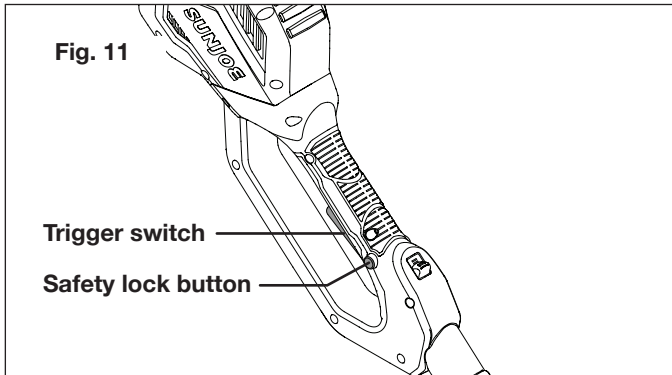
Before you start the unit, make sure the trimmer is not contacting with any object.

1. Slide the battery pack in the battery compartment until it snaps into position (Fig. 10).

IMPORTANT! Make sure that the battery pack is secured to the tool before beginning operation.



2. To turn the grass trimmer ON, press and hold the safety lock button with your thumb, then squeeze the ON/OFF trigger switch with your fingers. Once the machine powers on, you can release the safety lock button and proceed with operation (Fig. 11).

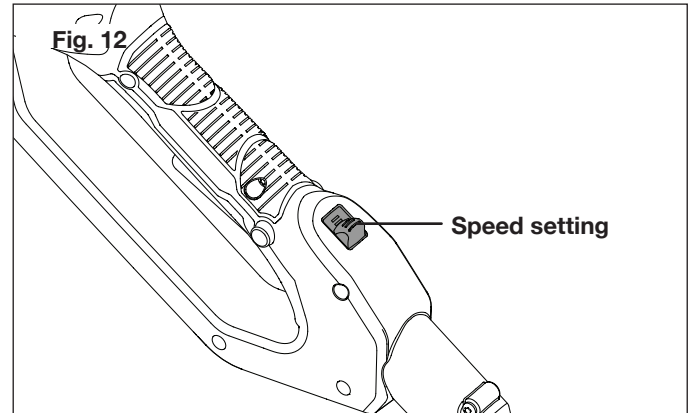


3. To switch OFF, release the trigger switch. Remove the battery from the battery compartment (Fig. 11).

⚠ WARNING! Always remove the battery pack from the grass trimmer during work breaks and after finishing work.

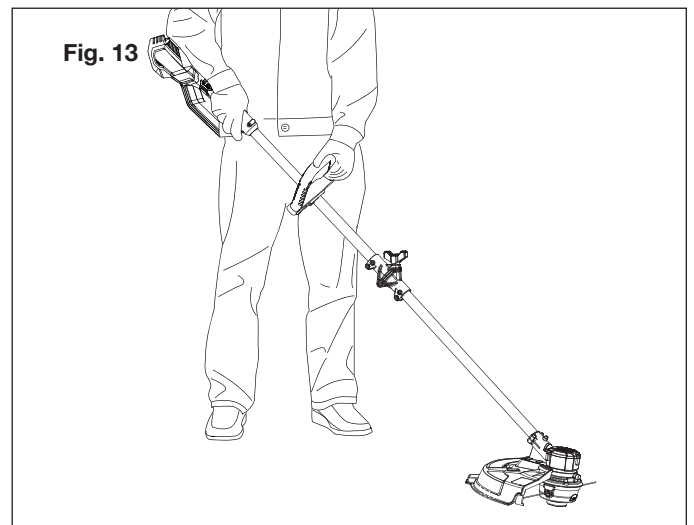
Speed Settings

This grass trimmer is equipped with two variable speed settings. Slide the speed setting on the handle to change speed (Fig. 12).



Trimming

- Wear non-slip gloves for maximum grip and protection. Hold the grass trimmer with your right hand on the rear handle while the right arm slightly bent, and your left hand on the front auxiliary handle with the left arm straight. The grass trimmer should be held at a comfortable position with the rear handle about hip height. The trimmer head should be parallel with the ground and easily contacts the material to be cut without the operator having to bend over (Fig. 13).



- For the best cutting action against walls, fences, and in high grass, move the grass trimmer slowly so grass is cut with the tip of the high speed nylon line. Do not force the trimmer. Cutting with more than the tip will reduce cutting efficiency and may overload the motor.
- Avoid dragging the grass trimmer and string spool hub in contact with the ground.
- Trim only when grass and weeds are dry.
- Cut tall grass from top down. This will prevent grass from wrapping around the shaft housing and string head which may cause damage from overheating.
- If grass becomes wrapped around the string head:
 - Stop the trimmer.
 - Remove the battery.
 - Remove the grass.

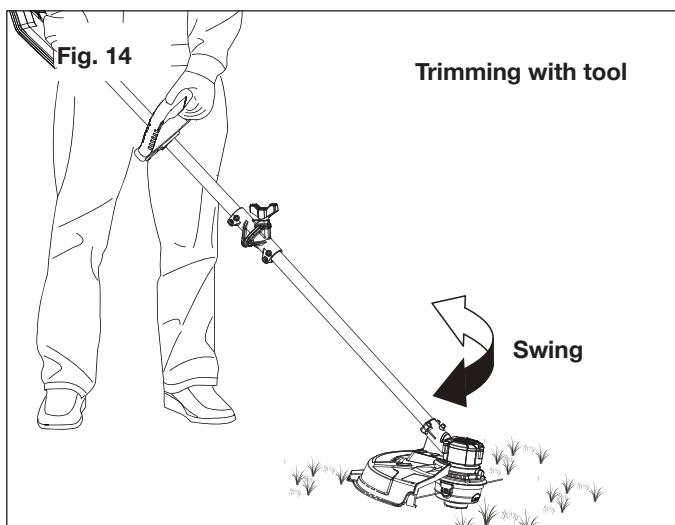
⚠️ WARNING! Always hold the trimmer away from body. Any contact with the grass trimmer cutting head while operating can result in serious personal injury.

- The life of your nylon line is dependent upon following instructions for proper use, as well as what is being cut, and where the cutting is being done.

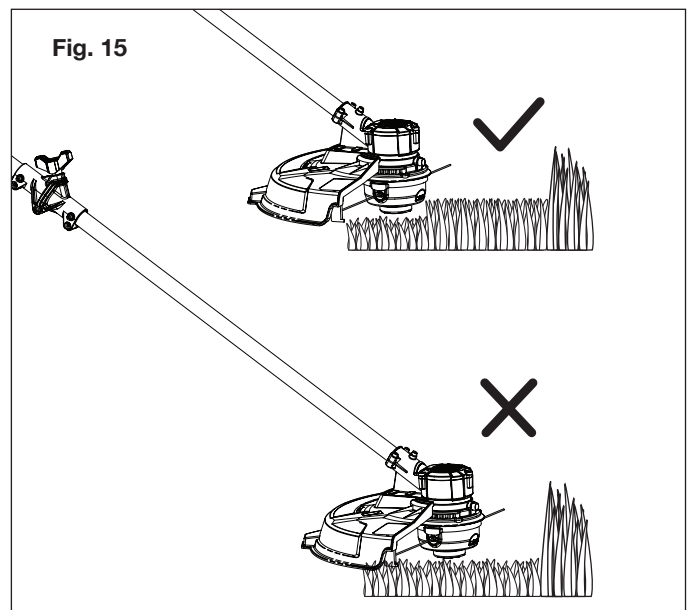
⚠️ WARNING! Remove stones, loose pieces of wood, and other objects from the cutting area. The cutting line continues to rotate for a few seconds after switching off the trimmer. Let the motor come to a complete stop before resuming operation. Do not rapidly switch the trimmer off and on.

⚠️ CAUTION! Always wear eye protection.

1. The correct angle for the cutting attachment is parallel to the ground.
2. Slowly swing the trimmer from side to side (Fig. 14).



3. Do not overload your trimmer; instead, take small “bites” of grass, working from the top to the bottom. This will keep the machine operating at high speed and will greatly improve its cutting efficiency (Fig. 15).



Advancing Cutting Line

NOTE: Your trimmer uses 0.080 in. (2 mm) diameter nylon line to cut grass and weed quickly and easily. In time, the tip of the nylon line will become worn. The trimmer head allows the operator to release more cutting line without stopping the motor. As line becomes frayed or worn, additional line can be released by lightly tapping the trimmer head on the ground while the motor is running.

NOTE: For best results, tap the trimmer head on bare ground or hard soil. Always keep the trimming line fully extended. Line release becomes more difficult as the cutting line becomes shorter.

⚠️ WARNING! Do not operate the grass trimmer in a tree, on a ladder, or on a scaffold; this is extremely dangerous.

Maintenance

⚠️ WARNING! Make sure to remove the battery before inspecting its parts.

⚠️ WARNING! Always wear protective gloves during maintenance tasks. Do not carry out maintenance when the motor is running or hot.

- Your trimmer line can dry out over time. To keep your line in top condition, store spare pre-wound spools or bulk line in a plastic resealable bag with a tablespoon of water.
- Never use water or chemical cleaners to clean your grass trimmer. Wipe it clean with a dry cloth.
- Plastic parts may be cleaned by using mild soap and a damp rag.

- Always store your grass trimmer in a dry place. Do not allow any liquid to get inside it.
- Keep the motor ventilation slots clean.

IMPORTANT! To ensure product safety and reliability, repairs, maintenance, and adjustments to this power tool should be performed only with identical replacement parts. Contact your authorized Snow Joe® + Sun Joe® dealer or call the Snow Joe® + Sun Joe® customer service center at 1-866-SNOWJOE (1-866-766-9563) for assistance.

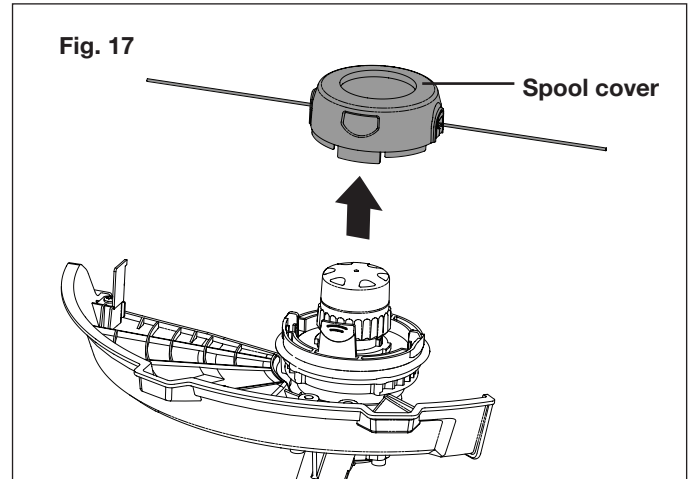
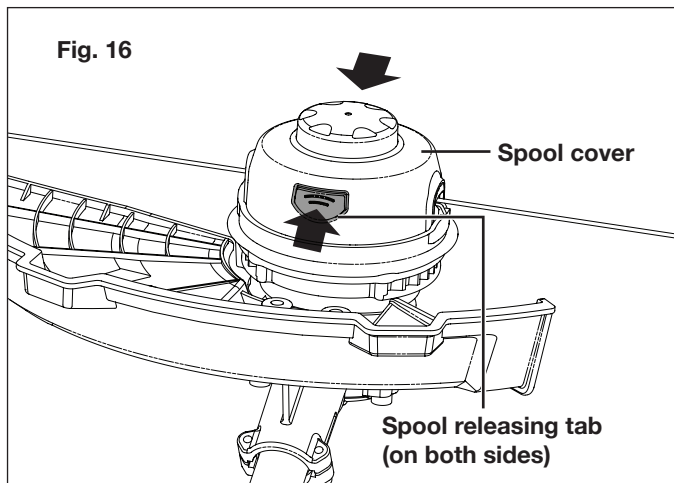
Replacing the Spool + Clearing Jams and Tangled Lines

⚠ WARNING! Remove the battery from the battery compartment before changing the trimmer line.

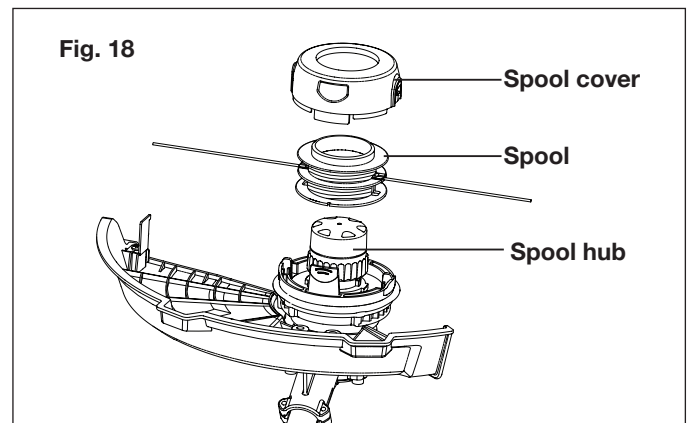
⚠ WARNING! Never use metal-reinforced line, wire, or rope, etc. These can break off and become dangerous projectiles.

NOTE: 16.4 ft. (5 m) dual-line replacement spool (model 24V-ST14B-SPOOL) is available for use with the 24V-ST14B grass trimmer. Visit snowjoe.com to purchase this accessory online. Always use the recommended nylon cutting line with diameter no more than 0.080 in. (2 mm). Using line other than that specified may cause the grass trimmer to overheat or become damaged.

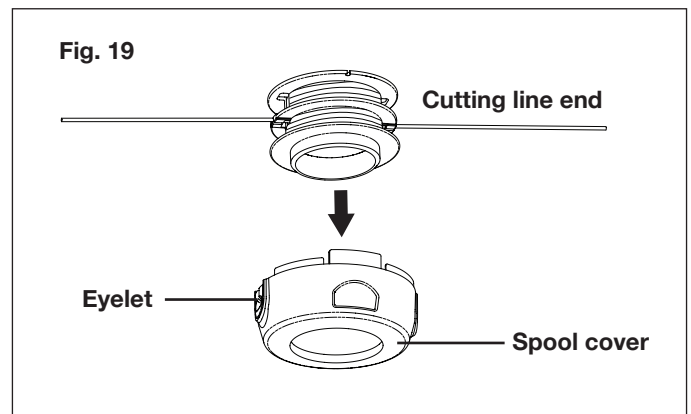
1. Press together both release tabs on the line spool cover and remove the cover and spool by pulling it straight off (Figs. 16 & 17).



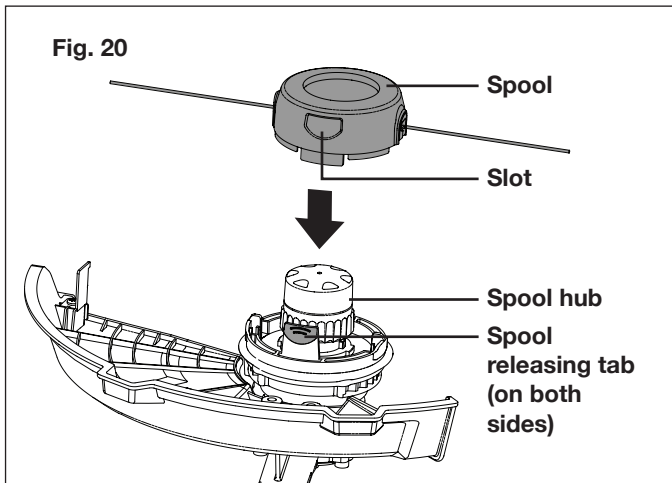
2. Remove the spool out of the spool cover (Fig. 18) and clean out the remaining cutting line, remove any jams, or dirt and grass residue.



3. Re-insert the spool into the spool hub as follow, or insert a new pre-wounded spool (Fig. 18).
4. Insert each line end through its respective eyelet on each side of the spool cover and gently press the spool down (Fig. 19).



5. Reinstall the spool back to the spool hub. Push down until the spool releasing tabs click into the slots (Fig. 20).



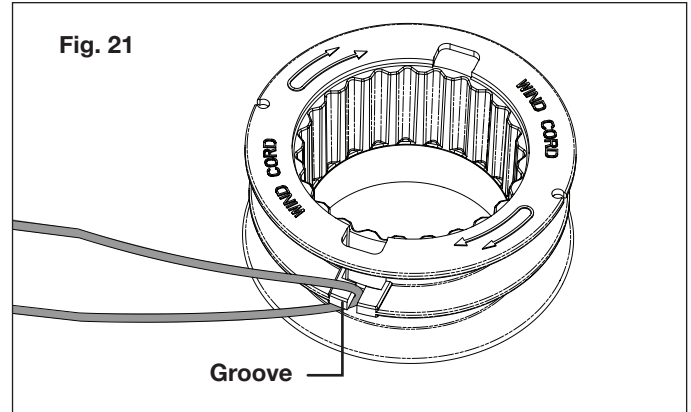
IMPORTANT: Only use original replacement parts specified for this machine.

You can purchase a replacement pre-wound spool (Model 24V-ST14B-SPOOL) and other genuine replacement parts by visiting us online at sunjoe.com or calling our toll-free customer service helpline at 1-866-SNOWJOE (1-866-766-9563). The use of parts that do not meet the original equipment specifications may lead to improper performance of the grass trimmer, may compromise operator safety and will void the manufacturer's warranty.

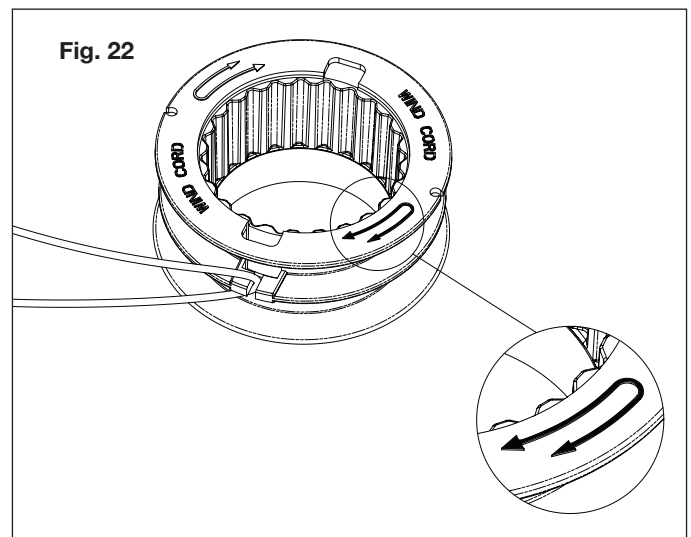
Winding the Line

NOTE: Should you wish to wind the line yourself, the instructions are provided below. Self-winding, however, is NOT recommended because if the line is not wound properly it can cause the trimmer's bump feed system to malfunction. For this reason, users are strongly urged to purchase the pre-wound spool.

1. Turn off and remove the battery. Make sure the spool has come to a complete stop.
2. To remove the spool from the trimmer hub, follow steps 1 and 2 from the section "Replacing the Spool + Clearing Jams and Tangled Lines" beginning on page 12.
3. Find the middle of a new piece of cutting line and insert the middle of the line into the groove in the center of the spool (Fig. 21).



4. Wind both ends into the grooves using slight tension and following the direction of the arrows (Fig. 22).



5. Re-install the spool as instructed in steps 3 to 5 of "Replacing the Spool + Clearing Jams and Tangled Lines".

CAUTION! Catapulted pieces of nylon line may cause injury.

WARNING! Pay attention to the winding direction.

NOTE: Always replace the spool with a new pre-wound spool. Visit sunjoe.com to purchase the pre-wound spool (model 24V-ST14B-SPOOL) for this cordless grass trimmer.

Storage

Follow these recommendations for storing the grass trimmer.

- Clean the grass trimmer thoroughly before storing.
- Store the grass trimmer in a stable and safe position out of the reach of children. Keep the trimmer in a dry place where the temperature is not too hot or too cold.
- When storing the grass trimmer, do not rest it against the floor. Hang it by the upper handgrip so that the guard does not touch anything. If the guard rests against a surface, its shape and dimensions could be permanently altered, and could render the machine unsafe to use.

Battery Caution + Disposal

Always dispose of your battery pack according to federal, state, and local regulations. Contact a recycling agency in your area for recycling locations.

⚠ CAUTION! Even discharged battery packs contain some energy. Before disposing, use electrical tape to cover the terminals to prevent the battery pack from shorting, which could cause a fire or explosion.

⚠ WARNING! To reduce the risk of injury or explosion, never burn or incinerate a battery pack even if it is damaged, dead, or completely discharged. When burned, toxic fumes and materials are emitted into the surrounding atmosphere.

1. Batteries vary according to device. Consult your manual for specific information.
2. Install only new batteries of the same type in your product (where applicable).
3. Failure to insert batteries in the correct polarity, as indicated in the battery compartment or manual, may shorten the life of the batteries or cause batteries to leak.
4. Do not mix old and new batteries.
5. Do not mix Alkaline, Standard (Carbon-Zinc), or Rechargeable (Nickel Cadmium, Nickel Metal Hydride, or Lithium-Ion) batteries.
6. Do not dispose of batteries in fire.
7. Batteries should be recycled or disposed of as per state and local guidelines.

Service and Support

If your Sun Joe® 24V-ST14B cordless grass trimmer requires service or maintenance, please call the Snow Joe® + Sun Joe® customer service center at 1-866-SNOWJOE (1-866-766-9563).

Model and Serial Numbers

When contacting the company, reordering parts, or arranging service from an authorized dealer, you will need to provide the model and serial numbers, which can be found on the decal located on the housing of the unit. Copy these numbers into the space provided below.

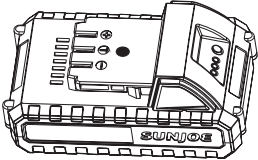
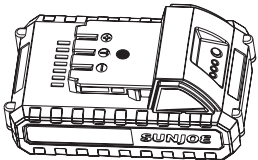
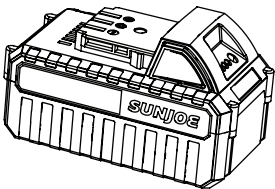
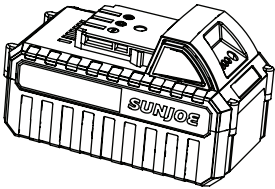
Record the following numbers from the housing or handle of your new product:	
Model #:	
2 4 V - S T 1 4 B	
Serial #:	

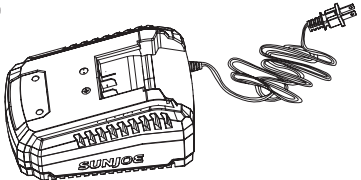
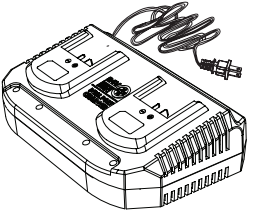
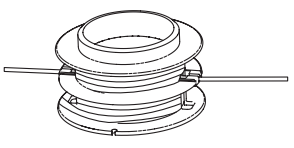
Troubleshooting

Problems	Possible Cause	Possible Solution
<p>The motor does not run or the tool runs slowly.</p>	<ul style="list-style-type: none"> • Battery is not inserted well or is flat. • Spool housing cannot rotate freely. • Cutting line does not protrude. 	<ul style="list-style-type: none"> • Check to make sure the battery is charged and inserted well. • Remove the spool and clean the slots; carefully remove any grass and weeds or other debris. • Cut the spool line off so that it just reaches the line trimming blade. • Contact your authorized Snow Joe® + Sun Joe® dealer or call Snow Joe® + Sun Joe® customer service center at 1-866-SNOWJOE (1-866-766-9563) if the trimmer does not start after completing these checks.
<p>Line fails to cut off.</p>	<ul style="list-style-type: none"> • Line cutter in guard is covered, damaged, or missing. • Line extends past guard. 	<ul style="list-style-type: none"> • Contact your authorized Snow Joe® + Sun Joe® dealer or call Snow Joe® + Sun Joe® customer service center at 1-866-SNOWJOE (1-866-766-9563). • Rewind or trim line to line cutter.

Optional Accessories

⚠️ WARNING! ALWAYS use only authorized Snow Joe® + Sun Joe® replacement parts and accessories. NEVER use replacement parts or accessories that are not intended for use with this cordless grass trimmer. Contact Snow Joe® + Sun Joe® if you are unsure whether it is safe to use a particular replacement part or accessory with your cordless grass trimmer. The use of any other attachment or accessory can be dangerous and could cause injury or mechanical damage.

Accessories	Item	Model
<p>①</p> 	<p>iON+ 24V 2.0 Ah Lithium-Ion Battery <i>Battery Runtime Max: 8 min (trims up to 645 sq ft of grass)</i></p>	<p>24VBAT-LTE</p>
<p>②</p> 	<p>iON+ 24V 2.5 Ah Lithium-Ion Battery <i>Battery Runtime Max: 10 min (trims up to 800 sq ft of grass)</i></p>	<p>24VBAT-LT</p>
<p>③</p> 	<p>iON+ 24V 4.0 Ah Lithium-Ion Battery <i>Battery Runtime Max: 16 min (trims up to 1290 sq ft of grass)</i></p>	<p>24VBAT</p>
<p>④</p> 	<p>iON+ 24V 5.0 Ah Lithium-Ion Battery <i>Battery Runtime Max: 22 min (trims up to 1700 sq ft of grass)</i></p>	<p>24VBAT-XR</p>

Accessories	Item	Model
 <p>7</p>	iON+ 24V lithium-ion Battery Quick Charger	24VCHRG-QC
 <p>8</p>	iON+ 24V lithium-ion Dual Port Battery Charger	24VCHRG-DPC
 <p>9</p>	Grass Trimmer Dual-Line Replacement Spool	24V-ST14B-SPOOL

NOTE: Accessories are subject to change without any obligation on the part of Snow Joe® + Sun Joe® to provide notice of such changes. Accessories can be ordered online at snowjoe.com or via phone by contacting the Snow Joe® + Sun Joe® customer service center at 1-866-SNOWJOE (1-866-766-9563).



SNOW JOE® + SUN JOE® CUSTOMER PROMISE

ABOVE ALL ELSE, Snow Joe, LLC (“Snow Joe”) is dedicated to you, our customer. We strive to make your experience as pleasant as possible. Unfortunately, there are times when a Snow Joe®, Sun Joe®, or Aqua Joe® product (“Product”) does not work or breaks under normal operating conditions. We think it’s important that you know what you can expect from us. That’s why we have a Limited Warranty (“Warranty”) for our Products.

OUR WARRANTY:

Snow Joe warrants new, genuine, powered and non-powered Products to be free from defects in material or workmanship when used for ordinary household use for a period of two years from the date of purchase by the original, end-user purchaser when purchased from Snow Joe or from one of Snow Joe’s authorized sellers with proof of purchase. Because Snow Joe is unable to control the quality of its Products sold by unauthorized sellers, unless otherwise prohibited by law, this Warranty does not cover Products purchased from unauthorized sellers. If your Product does not work or there’s an issue with a specific part that is covered by the terms of this Warranty, Snow Joe will elect to either (1) send you a free replacement part, (2) replace the Product with a new or comparable product at no charge, or (3) repair the Product. How cool is that!

This Warranty gives you specific legal rights, and you may also have other rights which vary from State to State.

PRODUCT REGISTRATION:

Snow Joe strongly encourages you to register your Product. You can register online at snowjoe.com/register, or by printing and mailing in a registration card available online from our website, or calling our Customer Service Department at **1-866-SNOWJOE (1-866-766-9563)**, or by e-mailing us at help@snowjoe.com. Failure to register your Product will not diminish your warranty rights. However, registering your Product will allow Snow Joe to better serve you with any of your customer service needs.

WHO CAN SEEK LIMITED WARRANTY COVERAGE:

This Warranty is extended by Snow Joe to the original purchaser and original owner of the Product.

WHAT IS NOT COVERED?

This Warranty does not apply if the Product has been used commercially or for non-household or rental applications. This Warranty also does not apply if the Product was purchased from an unauthorized seller. This Warranty also does not cover cosmetic changes that do not affect performance. Wearing parts like belts, augers, chains and tines are not covered under this Warranty, and can be purchased at snowjoe.com or by calling **1-866-SNOWJOE (1-866-766-9563)**.





¡IMPORTANTE!


Instrucciones de seguridad

Todos los operadores deberán leer estas instrucciones antes del uso


Lea todas las instrucciones contenidas en este manual. Conserve este manual en un lugar seguro de manera que la información esté disponible siempre. Si usted le entrega esta máquina a otra persona, asegúrese de entregarle también estas instrucciones de operación. Tendrán que tomarse siempre las precauciones que se indican a continuación para reducir riesgos de incendios, choques eléctricos o lesiones personales.

 **¡PELIGRO!** Esto indica una situación peligrosa que, de no ser evitada, causará lesiones personales severas o la muerte.

 **¡ADVERTENCIA!** Esto indica una situación peligrosa que, de no ser evitada, puede causar lesiones personales severas o la muerte.

 **¡PRECAUCIÓN!** Esto indica una situación peligrosa que, de no ser evitada, puede causar lesiones personales menores o moderadas.

El uso incorrecto de la máquina invalidará la garantía, exonerando al fabricante de todas sus responsabilidades. El usuario será, consecuentemente, responsable de todos y cada uno de los daños o lesiones personales a sí mismo o a los demás.

 **¡PELIGRO!** La podadora inalámbrica debe ser usada solamente para podar césped y cortar a lo largo de los bordes de los canchales. Otros usos de la podadora inalámbrica, que no estén indicados en estas instrucciones, pueden dañar la unidad o lesionar gravemente al operador.

Seguridad general

- 1. Evite entornos peligrosos:** no use artefactos eléctricos en lugares húmedos o mojados. No la use bajo la lluvia.
- 2. Mantenga alejados a los espectadores y niños:** los niños y otros espectadores, incluyendo mascotas, deberán mantenerse alejados a unos 50 pies (15 m) del área de trabajo. Cuando el césped es cortado, las piedras y escombros en el césped pueden ser recogidos por la podadora inalámbrica y ser dispersados en el aire. Estos

proyectiles voladores pueden causar ceguera u otras lesiones personales.

- 3. Vístase apropiadamente:** utilice siempre ropa adecuada al utilizar la podadora inalámbrica para evitar lesiones personales a la cabeza, manos o pies. No lleve prendas holgadas ni joyas. Pueden llegar a engancharse en las partes móviles.
- 4. Use gafas protectoras:** use también calzado protector, ropa que se ajuste a su cuerpo, guantes protectores y protección auditiva y para la cabeza.
- 5. Utilice las herramientas apropiadas:** no use una herramienta para ningún otro trabajo excepto para el cual haya sido diseñada.
- 6. Evite encendidos involuntarios:** no lleve la herramienta con su dedo sobre el interruptor. Asegúrese de que el interruptor esté en la posición de apagado antes de insertar la batería.
- 7. No fuerce el artefacto:** hará un mejor trabajo y con menos probabilidades de lesiones personales si es usado de la forma para la cual fue diseñado.
- 8. No se extralimite:** mantenga con sus pies una posición y un equilibrio adecuados todo el tiempo.
- 9. Manténgase alerta:** vea lo que está haciendo. Utilice su sentido común. No opere la podadora inalámbrica si usted está cansado o bajo la influencia del alcohol o las drogas.
- 10. Desconecte la herramienta:** apague la podadora inalámbrica y quítele la batería cuando no esté siendo usada, ha sido dejada sin atender, esté siendo examinada porque no funciona apropiadamente, la línea de corte es retirada o cambiada, o cuando esté siendo transportada de un lugar a otro.
- 11. Guarde las herramientas inactivas en interiores:** cuando no estén en uso, las herramientas deben almacenarse bajo techo en un lugar seco, alto o bajo llave, lejos del alcance de los niños.
- 12. Cuide las herramientas:** mantenga las líneas de corte afiladas y limpias para un mejor funcionamiento y para reducir el riesgo de lesiones personales. Siga las instrucciones de mantenimiento y cambio de accesorios. Haga reparar la podadora inalámbrica solo en un centro de servicio autorizado. Mantenga los mangos secos, limpios y libres de aceites y grasa.
- 13. Inspeccione en busca de partes dañadas:** antes de seguir utilizando la podadora inalámbrica, cualquier dispositivo protector u otro componente dañado deberán ser examinados cuidadosamente para determinar si funcionarán correctamente o no. Verifique el alineamiento

y juntas, así como posibles roturas de partes móviles, así como cualquier otra condición que pueda perjudicar el funcionamiento de la herramienta. Un protector u otro componente dañado deberá ser reparado correctamente o reemplazado en un centro de servicio autorizado a menos que se indique lo contrario en este manual.

⚠ ¡PRECAUCIÓN! El protector de seguridad es esencial para proteger al operador y a las personas cercanas a la podadora + bordeadora inalámbrica. El protector de seguridad mantiene a la unidad en buen estado de funcionamiento y debe estar siempre en su lugar durante la operación. No tener el protector de seguridad instalado durante la operación es peligroso e invalidará la garantía.

- 14. Tenga cuidado con la línea de corte:** puede lesionar severamente su piel.
- 15. No trate de detener el dispositivo de corte con sus manos:** siempre deje que se detenga por sí mismo.
- 16. Manténgase alerta:** vea lo que está haciendo. Utilice su sentido común. No opere la podadora inalámbrica si está cansado o bajo la influencia del alcohol, drogas u otros medicamentos.

⚠ ¡PRECAUCIÓN! La bobina de la línea de corte continuará girando después de haber APAGADO la podadora. Espere a que la bobina de la línea de corte se haya detenido por completo antes de hacer contacto.

- Utilice solamente el tipo de línea suministrada originalmente junto con la herramienta.
- No utilice la unidad para cortar césped que no esté en contacto con el suelo.
- No encienda la podadora inalámbrica en espacios cerrados o de poca ventilación, ni en presencia de sustancias inflamables y/o explosivas tales como líquidos, gases y pólvora.
- El usuario de la podadora inalámbrica es responsable de cualquier daño sufrido por terceros y causado por la podadora inalámbrica dentro del área de trabajo.
- Corte solamente a plena luz del día o con luz artificial adecuada.
- No cruce caminos o sendas de grava con la unidad aún funcionando.
- Cuando usted no esté usando su podadora inalámbrica, guárdela en un lugar seco y lejos del alcance de los niños.
- La podadora inalámbrica debe ser operada de forma vertical, perpendicular al suelo.
- Verifique regularmente que todos los tornillos estén ajustados apropiadamente.

Instrucciones de seguridad para la batería y el cargador

Prestamos mucha atención al diseño de cada batería para garantizar la producción de baterías seguras y durables, con una alta densidad de energía. Las celdas de las baterías tienen varios dispositivos de seguridad. Cada celda individual es inicialmente formateada y sus curvas eléctricas características son registradas. Estos datos son luego usados exclusivamente para ensamblar las mejores baterías posibles.

Independientemente de todas las precauciones de seguridad, se debe tener mucho cuidado al manipular las baterías. Las siguientes instrucciones deben ser obedecidas en todo momento para garantizar un uso seguro. Un uso seguro solo puede ser garantizado si se usan celdas libres de daños. Una manipulación incorrecta de las baterías puede causar daños en sus celdas.

¡IMPORTANTE! Los análisis han confirmado que el uso incorrecto y el cuidado deficiente de baterías de alto rendimiento son las causas principales de lesiones personales y/o daños al producto.

⚠ ¡ADVERTENCIA! Use solo baterías de repuesto aprobadas. Otras baterías pueden dañar esta herramienta motorizada y provocar un desperfecto que pueda causar lesiones personales severas.

⚠ ¡ADVERTENCIA! No use baterías o artefactos que hayan sido dañados o modificados. Las baterías dañadas o modificadas pueden reaccionar impredeciblemente, causando un incendio, explosión o lesiones personales.

No modifique ni intente reparar el artefacto o la batería, a menos que lo haga según lo indicado en las instrucciones de uso y cuidado.


Su batería deberá ser reparada por una persona calificada usando únicamente partes de repuesto originales. Esto mantendrá la seguridad de la batería.

⚠ ¡PRECAUCIÓN! Para reducir el riesgo de lesiones personales, cargue la batería de iones de litio de 24 V Sun Joe® únicamente con su cargador de baterías de iones de litio Sun Joe® designado. Otros tipos de cargadores presentan riesgos de incendio, lesiones personales y daños materiales. No conecte una batería a un tomacorriente doméstico ni a un encendedor de cigarrillos en su vehículo. Dicho uso indebido dañará o deshabilitará permanentemente la batería.

- **Evite entornos peligrosos:** no cargue la batería bajo la lluvia o nieve, ni en lugares húmedos o mojados. No use la batería ni el cargador en atmósferas explosivas (gases, polvo o materiales inflamables) ya que al insertar o retirar la batería se pueden generar chispas que causen un incendio.
- **Cargue la batería en un área bien ventilada:** no bloquee los conductos de ventilación del cargador. Manténgalos despejados para permitir una ventilación adecuada. No permita que se fume o haya fuego abierto cerca de una batería siendo cargada. Los gases presentes pueden explotar.

NOTA: el rango seguro de temperaturas para la batería es de 41°F (5°C) a 105°F (40.5°C). No cargue la batería en exteriores a temperaturas congelantes. Cárguela a temperatura ambiente en interiores.

- **Cuide el cable de alimentación del cargador:** al desenchufar el cargador tire del enchufe, no del cable de alimentación, para desconectarlo del tomacorriente y así evitar daños al enchufe y cable. Nunca transporte el cargador colgado de su cable, ni tire del cable para desconectarlo del tomacorriente. Mantenga el cable alejado del calor, grasas y bordes afilados. Asegúrese de que el cable no sea pisado, que la gente no se tropiece con éste, ni que esté sujeto a daños o tensiones mientras el cargador esté siendo usado. No use el cargador con un cable o enchufe dañado. Reemplace un cargador dañado inmediatamente.
- **No use un cable de extensión a menos que sea absolutamente necesario:** usar un cable de extensión incorrecto, dañado o conectado de forma inapropiada puede causar un incendio o choque eléctrico. Si se debe usar un cable de extensión, conecte el cargador a un cable de extensión de calibre 16 (o más grueso) de alambrado adecuado, con el enchufe macho del cargador encajando perfectamente en el enchufe hembra del cable de extensión. Verifique que el cable de extensión esté en buenas condiciones.
- **El cargador 24VCHRG-QC está especificado solo para 120 V CA:** el cargador debe estar enchufado a un tomacorriente apropiado.
- **Use solo los accesorios recomendados:** el uso de un accesorio no recomendado ni vendido por el fabricante de la batería o cargador puede causar un choque eléctrico, incendio o lesiones personales.
- **Desenchufe el cargador cuando no esté siendo usado:** asegúrese de retirar la batería del cargador desenchufado.

 **¡ADVERTENCIA!** Para reducir el riesgo de un choque eléctrico, desenchufe siempre el cargador antes de llevar a cabo cualquier tarea de limpieza o mantenimiento. No permita que entre agua dentro del cargador. Use un interruptor de circuito por falla a tierra (GFCI) para reducir el riesgo de un choque eléctrico.

- **No queme ni incinere la batería:** la batería puede explotar y causar lesiones personales o daños materiales. Cuando las baterías son quemadas se generan sustancias y humos tóxicos.
- **No triture, deje caer ni dañe la batería:** no use la batería ni el cargador si han sido severamente golpeados, se han dejado caer, se han aplastado o se han dañado de cualquier forma como por ejemplo perforados con un clavo, golpeados con un martillo, pisados, etc.
- **No desarme las baterías ni el cargador:** un reensamblado incorrecto puede presentar un riesgo severo de choque eléctrico, fuego o exposición a químicos tóxicos de la batería. Si la batería o el cargador están dañados, contacte a un concesionario autorizado Snow Joe® + Sun Joe® o comuníquese con la central de servicio al cliente Snow Joe® + Sun Joe® llamando al 1-866-SNOWJOE (1-866-766-9563) para obtener ayuda.

- **Los químicos de la batería causan quemaduras severas:** nunca deje que una batería dañada haga contacto con la piel, ojos o boca. Si una batería dañada deja escapar químicos, use guantes de hule o neopreno para deshacerse de ella de forma segura. Si la piel es expuesta a los químicos de la batería, lave el área afectada con jabón y agua, y enjuague con vinagre. Si los ojos son expuestos a los químicos, inmediatamente enjuáguelos con agua durante 20 minutos y busque atención médica. Quítese y deshágase de las vestimentas contaminadas.
- **No cortocircuite los terminales:** cuando la batería no esté en uso, manténgala alejada de objetos metálicos tales como monedas, sujetapapeles, clavos, tornillos, alfileres u otros objetos metálicos pequeños que puedan causar el contacto de un terminal de la batería con el otro. Cortocircuitar los terminales de una batería puede causar quemaduras o un incendio.
- **Guarde su batería y cargador en un lugar fresco y seco:** no guarde la batería ni el cargador donde las temperaturas puedan exceder los 105°F (40.5°C), como bajo la luz directa del sol o dentro de un vehículo o construcción metálica durante el verano.

Información sobre la batería

1. La batería suministrada con su podadora inalámbrica está cargada solo parcialmente. La batería tiene que ser cargada por completo antes de que usted use la herramienta por primera vez.
2. Para un óptimo rendimiento de la batería, evite ciclos de descarga baja cargándola frecuentemente.
3. Guarde la batería en un lugar fresco, de preferencia a 77°F (25°C) y cargada al menos a un 40%.
4. Las baterías de iones de litio están sujetas a un proceso natural de desgaste. Una batería debe ser reemplazada a más tardar cuando su capacidad caiga a un 80% de su capacidad inicial, cuando estaba nueva. Las celdas debilitadas en una batería gastada no son capaces de cumplir con los requisitos de alta potencia necesarios para la operación adecuada de su podadora inalámbrica, y por tanto representan un riesgo de seguridad.
5. No arroje la batería al fuego abierto ya que puede causar una explosión.
6. No queme la batería ni la esponja al fuego.
7. No descargue las baterías exhaustivamente. Una descarga exhaustiva dañará las celdas de la batería. La causa más común de descarga exhaustiva es el almacenamiento prolongado o la falta de uso de baterías parcialmente descargadas. Deje de trabajar tan pronto como el rendimiento de la batería caiga considerablemente o se active el sistema de protección electrónico. Almacene la batería únicamente luego de haberla cargado por completo.
8. Proteja la batería y la herramienta contra sobrecargas. Las sobrecargas causarán rápidamente un sobrecalentamiento y daños a las celdas dentro de la batería, incluso si este sobrecalentamiento no es aparente por fuera.

9. Evite daños y golpes. Reemplace inmediatamente las baterías que se hayan caído desde una altura de más de 3 pies (1 m) o aquellas que hayan sido expuestas a golpes violentos, incluso si el exterior de la batería aparenta no tener daños. Las celdas dentro de la batería pueden haber sufrido daños severos. En dichos casos, lea la información de eliminación para deshacerse apropiadamente de la batería.
 10. Si la batería sufre una sobrecarga y sobrecalentamiento, el sistema de corte de protección integrado apagará el equipo por motivos de seguridad.
¡IMPORTANTE! No presione más el botón de alimentación si el sistema de corte de protección se ha activado. Esto puede dañar la batería.
 11. Recargue solo con el cargador especificado por el fabricante. Un cargador adecuado para un tipo de batería puede causar un incendio al ser usado con una batería de otro tipo.
 12. Use artefactos a baterías solo con baterías específicamente diseñadas para éstos. El uso de cualquier otra batería puede causar un incendio o lesiones personales.
 13. Bajo condiciones extremas, las baterías pueden expulsar un líquido. Evite el contacto con este líquido. Si usted accidentalmente hace contacto con este líquido, enjuáguese con agua. Si el líquido hace contacto con sus ojos, adicionalmente busque atención médica. El líquido que sale de las baterías puede causar irritación o quemaduras.
 14. No use baterías o artefactos que hayan sido dañados o modificados. Las baterías dañadas o modificadas pueden reaccionar impredeciblemente, causando un incendio, explosión o lesiones personales.
 15. No exponga una batería o artefacto al fuego o a temperaturas extremas. Una exposición al fuego o a temperaturas por encima de los 265°F (129.5°C) puede causar una explosión.
 16. Siga todas las instrucciones de carga, y no cargue la batería o artefacto fuera del rango de temperaturas especificado en las instrucciones. Cargar de forma incorrecta o a temperaturas fuera del rango especificado puede dañar la batería e incrementar el riesgo de incendio.
- comuníquese con la central de servicio al cliente Snow Joe® + Sun Joe® llamando al 1-866-SNOWJOE (1-866-766-9563).
3. Los enchufes deben encajar en los tomacorrientes. Nunca modifique el enchufe de ninguna manera. No use ningún adaptador de enchufe con artefactos que tengan conexión a tierra. El uso de enchufes no modificados y tomacorrientes equivalentes reducirá el riesgo de un choque eléctrico.
 4. Mantenga el cargador de baterías, la batería y la herramienta inalámbrica lejos del alcance de los niños.
 5. No use el cargador de baterías suministrado para cargar baterías de otras herramientas inalámbricas.
 6. Durante periodos de trabajo pesado, la batería se calentará. Deje que la batería se enfríe a temperatura ambiente antes de conectarla al cargador para su recarga.
 7. No sobrecargue las baterías. No exceda los tiempos máximos de carga. Estos tiempos de carga solo se aplican a baterías descargadas. La inserción frecuente de una batería cargada o parcialmente cargada resultará en una sobrecarga y daños a las celdas. No deje las baterías en el cargador por días enteros.
 8. Nunca use o cargue la batería si sospecha que han pasado más de doce (12) meses desde la última vez que fue cargada. Existe una alta probabilidad de que la batería ya haya sufrido un daño severo por descarga exhaustiva.
 9. Cargar baterías a temperaturas menores de 41°F (5°C) causará daños químicos a las celdas y puede provocar un incendio.
 10. No use baterías que hayan sido expuestas al calor durante el proceso de carga, ya que sus celdas pueden haber sufrido daños severos.
 11. No use baterías que se hayan curvado o deformado durante el proceso de carga, ni aquellas que muestren otros síntomas atípicos tales como liberación de gases, zumbidos, grietas, etc.
 12. Nunca descargue por completo la batería (se recomienda una profundidad de descarga de un 80%). Una descarga completa de la batería conducirá a un envejecimiento prematuro de las celdas de la batería.

Información sobre el cargador y el proceso de carga

1. Verifique la información indicada en la placa de especificaciones del cargador de baterías. Asegúrese de conectar el cargador de baterías a una fuente de alimentación que tenga el voltaje indicado en su placa de especificaciones. Nunca lo conecte a una fuente de alimentación con un voltaje diferente al indicado.
2. Proteja el cargador de baterías y su cable contra daños. Mantenga el cargador y su cable alejados del calor, grasa, aceite y bordes afilados. Haga reparar sin demora los cables dañados por un técnico calificado en un concesionario autorizado Snow Joe® + Sun Joe® o









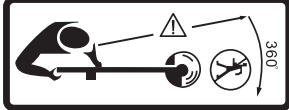
Protección contra influencias del entorno

1. Proteja su herramienta inalámbrica y cargador de baterías contra la humedad y la lluvia. La humedad y la lluvia pueden causar daños severos a las celdas de las baterías.
2. No use la herramienta inalámbrica ni el cargador de baterías cerca de vapores y líquidos inflamables.
3. Use el cargador de baterías y la herramienta inalámbrica solo en entornos secos y a una temperatura ambiente de entre 41°F (5°C) y 105°F (40.5°C).
4. No coloque el cargador de baterías en lugares donde la temperatura pueda sobrepasar los 105°F (40.5°C). En particular, no deje el cargador de baterías en un auto estacionado bajo la luz directa del sol.

5. Proteja las baterías contra el sobrecalentamiento. Las sobrecargas, exceso de carga y exposición a la luz directa del sol darán como resultado un sobrecalentamiento y daños a las celdas. Nunca cargue ni trabaje con baterías que hayan estado sobrecalentadas. De ser posible, reemplácelas inmediatamente.
6. Guarde el cargador de baterías y su herramienta inalámbrica solo en entornos secos y a una temperatura ambiente de entre 41°F (5°C) y 105°F (40.5°C). Guarde su batería de iones de litio en un lugar fresco y seco, a una temperatura ambiente de 77°F (25°C). Proteja la batería, el cargador y la herramienta inalámbrica contra la humedad y la luz directa del sol. Solo almacene baterías cargadas por completo.
7. Evite que la batería de iones de litio se congele. Las baterías almacenadas a temperaturas menores de 32°F (0°C) por más de una hora deberán ser desechadas.
8. Al manipular una batería, tenga cuidado con las descargas electrostáticas. Las descargas electrostáticas pueden dañar el sistema electrónico de protección y las celdas de la batería. Evite las descargas electrostáticas y nunca toque los polos de la batería.

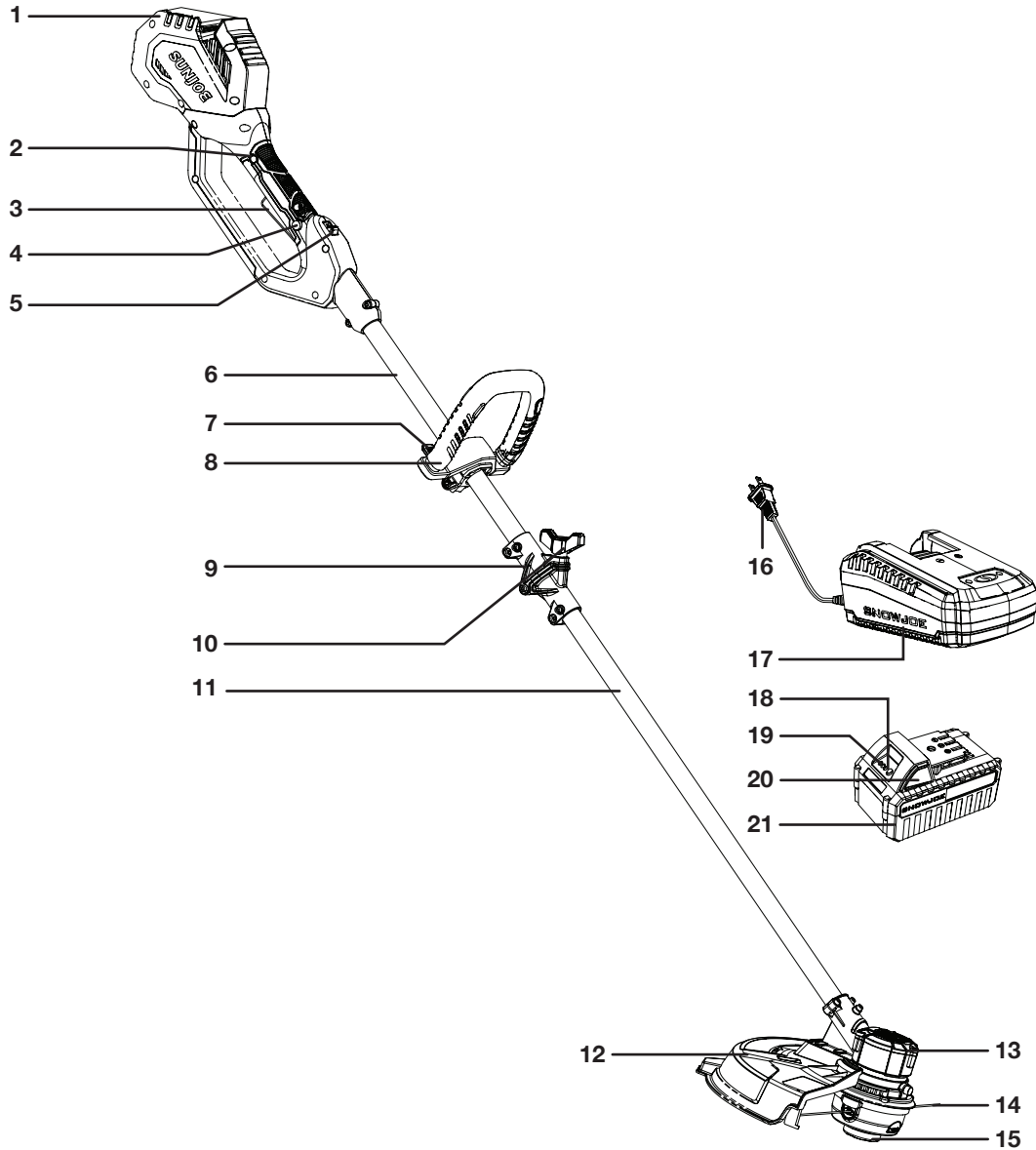
Símbolos de seguridad

La siguiente tabla muestra y describe los símbolos de seguridad que pueden aparecer en este producto. Lea, comprenda y siga todas las instrucciones relacionadas con esta máquina antes de intentar ensamblarla y operarla.

Símbolo	Descripción	Símbolo	Descripción
	LEA EL(LOS) MANUAL(ES) DEL OPERADOR: lea, comprenda y siga todas las instrucciones en el(los) manual(es) antes de intentar ensamblar y operar esta unidad.		Mantenga a los transeúntes y niños alejados a una distancia segura.
	ALERTA DE SEGURIDAD: indica una precaución, advertencia o peligro.		¡ADVERTENCIA! No exponga la unidad a la lluvia ni a entornos mojados.
	USE PROTECCIÓN OCULAR Y AUDITIVA: para evitar lesiones personales, use protección auditiva y gafas protectoras.		Tenga cuidado con objetos y escombros voladores.
	Use guantes protectores al emplear la máquina y al manipular desechos.		Solo para uso en interiores. Utilice el cargador de baterías solamente en interiores.
	¡PELIGRO! Evite arrojar objetos a los espectadores. Mantenga a los espectadores alejados por lo menos a 15 m (50 pies) de la máquina.		

Conozca su podadora inalámbrica

Lea detenidamente el manual del operador y las instrucciones de seguridad antes de operar su podadora inalámbrica. Compare la ilustración de abajo con su podadora inalámbrica para familiarizarse con las ubicaciones de los diversos controles y ajustes. Conserve este manual para futuras referencias.



1. Compartimiento de batería

2. Empuñadura

3. Gatillo interruptor

4. Botón de trabado de seguridad

5. Ajustador de velocidad

6. Tubo de aluminio superior

7. Traba de empuñadura auxiliar

8. Empuñadura auxiliar

9. Juntas de tubo

10. Perilla de trabado

11. Tubo inferior de aluminio

12. Protector de seguridad

13. Carcasa de bobina

14. Línea de corte

15. Bobina

16. Conector de cargador

17. Cargador rápido de baterías de iones de litio iON+ de 24 V (24VCHRG-QC)

18. Botón para indicador de batería

19. Indicador de batería

20. Botón de trabado (x2)

21. Batería de iones de litio iON+ de 24 V (24VBAT) con exclusiva tecnología EcoSharp®

Datos técnicos

Motor	450 W sin escobillas
Voltaje máximo de batería*	24 V CC
Capacidad de la batería	4.0 Ah
Tiempo máximo de duración de batería	16 min (corta hasta 120 m ² de césped)
Entrada de cargador.....	120 V CA, 60 Hz, 75 W
Salida de cargador	26 V CC, 2.2 A
Tiempo máximo de carga.....	1 hr 50 min
Ancho de corte máx.	14 plg (35.6 cm)
Velocidad de corte	Baja 4,500 RPM Alta 6,000 RPM
Longitud de línea de corte	16.4 plg (5 m)
Diámetro de línea de corte	0.080 plg (2 mm)
Longitud de tubo de aluminio	6 pies (1.8 m)
Avance de bobina.....	Alimentación por golpe
Peso neto	8.4 lb (3.8 kg)

*El voltaje inicial sin carga, cuando la batería está cargada por completo, alcanza un máximo de 24 V. El voltaje nominal bajo una carga típica es de 21.6 V.

Desembalaje

Contenido del paquete:

- Podadora inalámbrica
- Protector de seguridad
- Tornillos de protector de seguridad (x4)
- Empuñadura auxiliar
- Batería de iones de litio iON+ de 24 V
- Cargador de baterías de iones de litio iON+ de 24 V
- Manual y tarjeta de registro

1. Retire cuidadosamente su podadora inalámbrica y compruebe que todos los artículos anteriores estén suministrados.
2. Inspeccione cuidadosamente el producto para asegurarse de que no haya ocurrido ningún daño o ruptura durante su transporte. Si alguna parte está dañada o extraviada, NO DEVUELVA el producto a la tienda. Comuníquese con la central de servicio al cliente Snow Joe® + Sun Joe® llamando al 1-866-SNOWJOE (1-866-766-9563).

NOTA: no se deshaga de la caja de transporte ni de los materiales de embalaje hasta que usted esté listo para usar su podadora inalámbrica. El empaquetado está hecho de materiales reciclables. Deshágase apropiadamente de estos materiales según los reglamentos locales, o guarde el empaquetado para un almacenamiento del producto a largo plazo.

¡IMPORTANTE! Este artefacto y sus materiales de embalaje no son juguetes. No permita que los niños jueguen con bolsas plásticas, láminas o partes pequeñas. ¡Estos objetos pueden ser tragados y causar asfixia!

Operación de la batería

La unidad es alimentada por una batería de iones de litio. La batería está completamente sellada y no requiere de mantenimiento.

Indicadores de nivel de carga de batería

La batería tiene un botón para comprobar su nivel de carga. Simplemente presione el botón para leer el nivel de carga de la batería en los LED indicadores de la batería:

- Los tres LED indicadores de nivel están encendidos: el nivel de carga de la batería es elevado.
- Dos LED indicadores de nivel están encendidos: el nivel de carga de la batería está disminuyendo. Apague la podadora inalámbrica lo más pronto posible.
- Un LED indicador de nivel está encendido: la batería está agotada. Apague la podadora inalámbrica INMEDIATAMENTE y cargue la batería, de otro modo la vida útil de la batería se reducirá en gran medida.

Luces	Significado
	Botón indicador de nivel de carga.
	La batería está cargada a un 30% y requiere ser cargada de inmediato.
	La batería está cargada a un 60% y requiere ser cargada pronto.
	La batería está cargada por completo.

NOTA: si el botón indicador de nivel de carga no parece funcionar, inserte el conector del cargador y cargue según se requiera.

NOTA: inmediatamente luego del uso de la batería, el botón indicador de nivel de carga puede mostrar una carga más baja que la que se mostrará algunos minutos después. Las celdas de las baterías “recuperan” parte de su carga luego de permanecer inactivas.

Operación del cargador

⚠ ¡ADVERTENCIA! Cargue la batería de iones de litio de 24 V Sun Joe® solo con su cargador de baterías de iones de litio de 24 V Sun Joe® compatible. Otros tipos de baterías pueden causar lesiones personales y daños materiales.

Para reducir el riesgo de un choque eléctrico, no permita que entre agua a la conexión CA/CC del cargador.

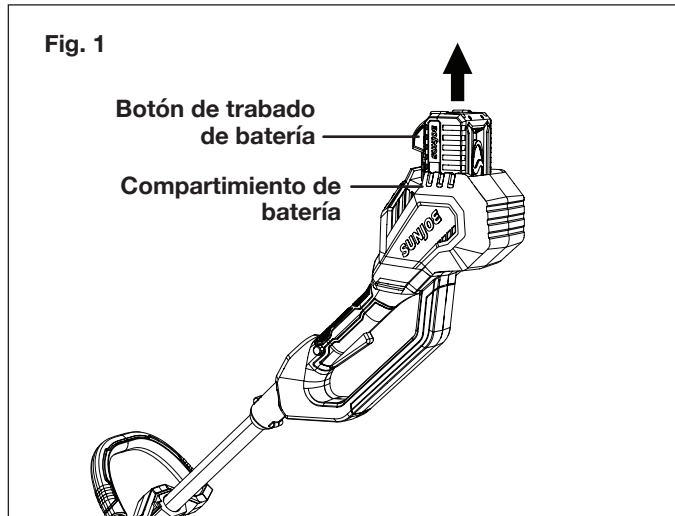
Cuándo cargar la batería de iones de litio iON+ 24VBAT

NOTA: la batería de iones de litio iON+ 24VBAT no crea una “memoria” al ser cargada luego de una descarga parcial. Por tanto, no hay necesidad de agotar la batería antes de cargarla de nuevo.

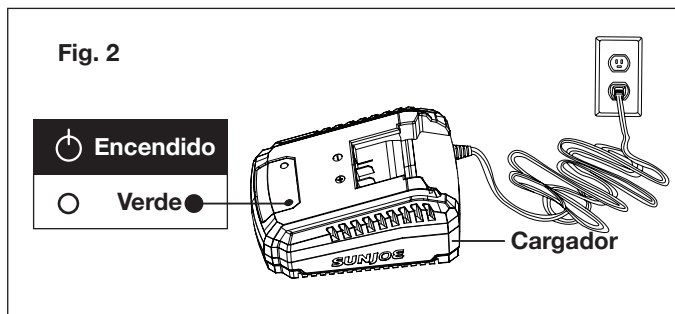
- Use las luces indicadoras de carga de batería para determinar cuándo cargar su batería de iones de litio iON+ 24VBAT.
- Usted puede cargar por completo su batería antes o después de un uso prolongado.

Carga de la batería

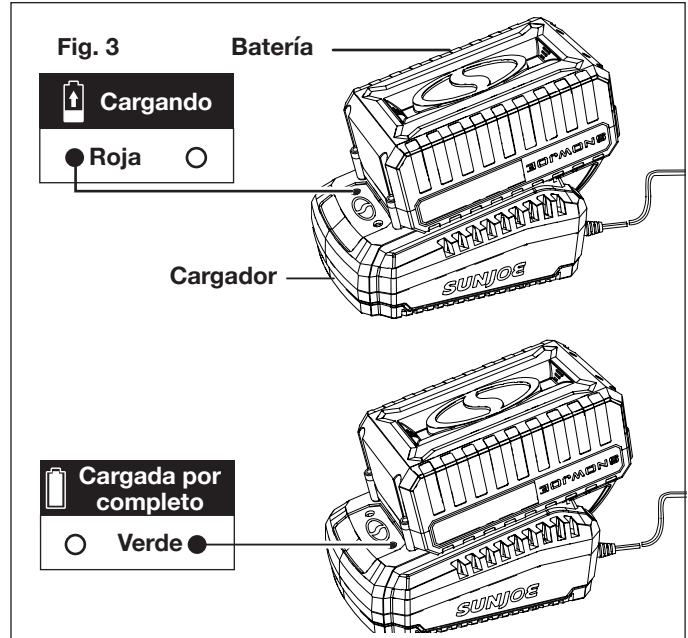
1. Presione los botones de trabado en la batería para sacar la batería fuera de su compartimiento (Fig. 1).



2. Compruebe que el voltaje de la red sea el mismo que el indicado en la placa de especificaciones del cargador de baterías. Luego, inserte el enchufe del cargador en el tomacorriente de pared. Cuando enchufe el cargador, la luz verde superior derecha se iluminará y permanecerá verde (Fig. 2).



3. Coloque la batería en el cargador deslizándola para trabarla en su posición. Cuando usted inserte la batería dentro del cargador, la luz verde superior derecha se apagará, y la luz roja superior izquierda se encenderá indicando que la batería se está cargando (Fig. 3).



4. Cuando la luz del cargador se torne verde, la batería estará totalmente cargada (Fig. 3).

NOTA: una batería descargada por completo, con una temperatura interna en el rango normal, se cargará por completo dentro de 1 hora y 50 minutos a una temperatura de entre 32°F (0°C) y 113°F (45°C).

5. Si las luces indicadoras no aparecen del todo, verifique que la batería esté asentada por completo en su compartimiento. Retire la batería y reínsértela. Si el problema persiste, contacte a un concesionario autorizado Snow Joe® + Sun Joe® o comuníquese con la central de servicio al cliente Snow Joe® + Sun Joe® llamando al 1-866-SNOWJOE (1-866-766-9563) para obtener asistencia.
6. Cuando se haya completado la carga, retire la batería del cargador presionando los botones de trabado y deslizando la batería hacia atrás para destrabarla del cargador.

Ensamblado

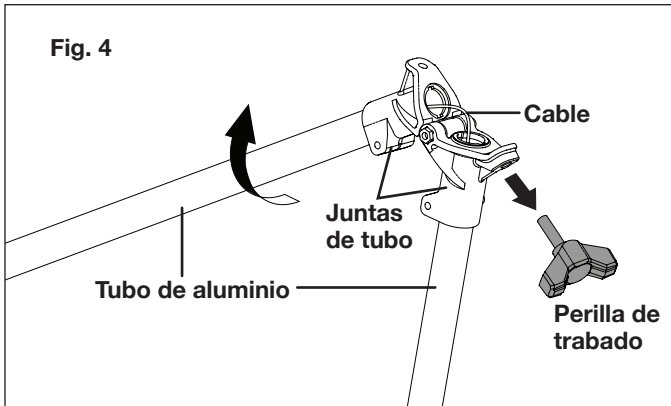
⚠ ¡ADVERTENCIA! No inserte la batería hasta que el ensamblado haya sido completado. El incumplimiento de esta advertencia puede resultar en un encendido accidental que cause lesiones personales severas.

Despliegue del tubo de aluminio

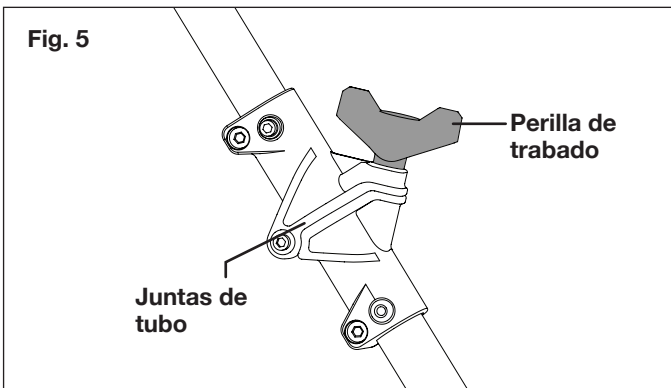
⚠ ¡ADVERTENCIA! Para evitar aprisionar sus manos o dedos, no sujete el tubo por sus juntas.

⚠ ¡ADVERTENCIA! No intente arrancar la podadora hasta que su tubo de aluminio esté trabado.

1. Retire la batería de la podadora inalámbrica.
2. Coloque la podadora inalámbrica sobre el suelo, destornille la perilla de trabado de la junta del tubo (Fig. 4).
3. Despliegue cuidadosamente el tubo de aluminio. Asegúrese de que el cable esté dentro del tubo de manera que no sea atrapado al cerrar las juntas (Fig. 4).



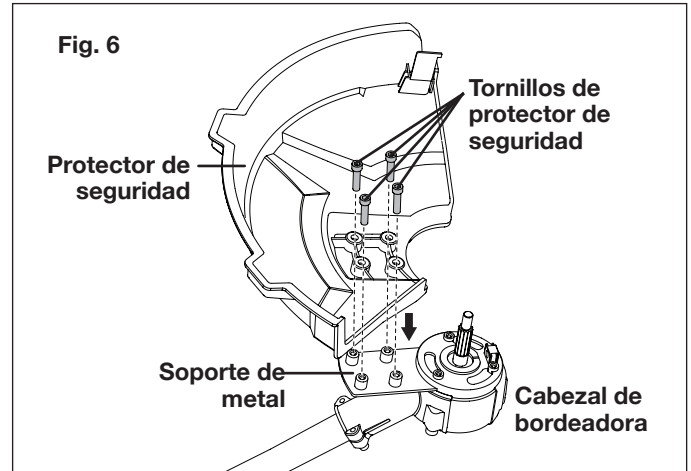
4. Trabe el tubo de aluminio con la perilla de trabado (Fig. 5).



Instalación del protector de seguridad

⚠ ¡ADVERTENCIA! El protector de seguridad debe estar instalado correctamente. El protector de seguridad brinda al operador y a los transeúntes algo de protección contra objetos lanzados.

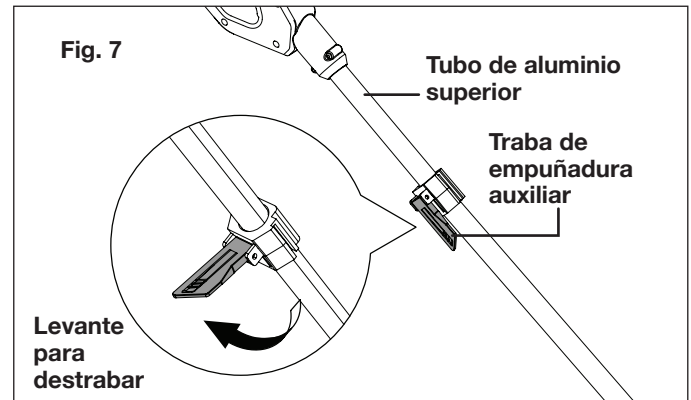
1. Coloque la podadora en el piso, con el cabezal hacia arriba.
2. Coloque el protector de seguridad sobre el soporte de metal y alinéelo con los cuatro orificios de montura. Asegure el protector de seguridad al soporte de metal con los tornillos suministrados (Fig. 6).



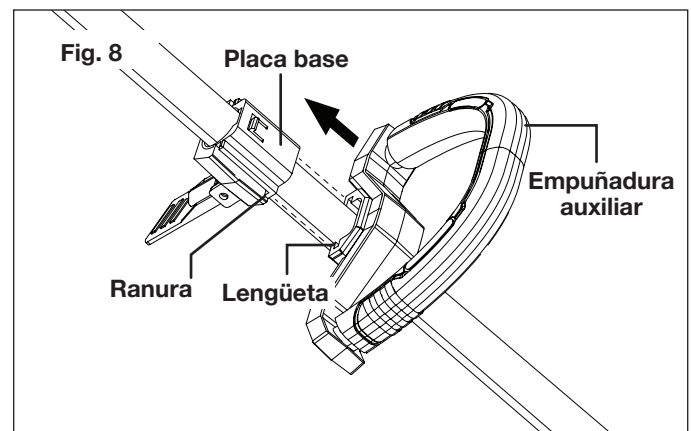
NOTA: nunca use la herramienta a menos que el protector de seguridad esté colocado correctamente.

Instalación de la empuñadura auxiliar

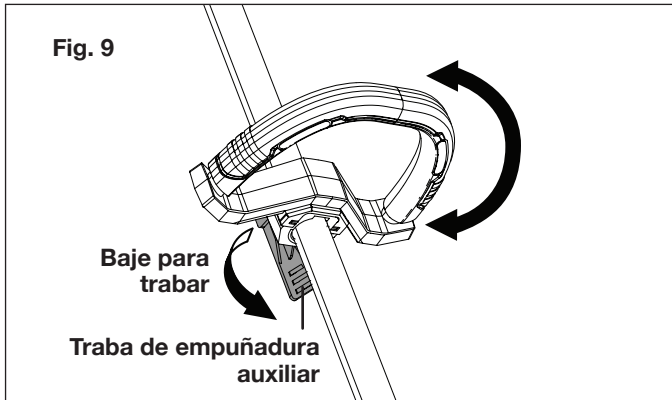
1. Levante la traba de empuñadura auxiliar para soltar la traba de empuñadura (Fig. 7).



2. Deslice la empuñadura auxiliar sobre la placa base. Asegúrese de que las lengüetas en ambos lados de la empuñadura auxiliar se deslicen dentro de las ranuras de la placa base. Empuje hasta que haga clic en su posición (Fig. 8).



3. Ajuste la empuñadura auxiliar a una posición de trabajo cómoda para usted. Trabe la empuñadura auxiliar bajando la traba de empuñadura (Fig. 9).



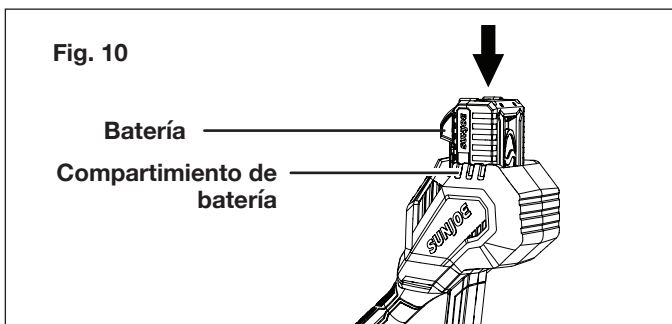
Operación

Arranque y parada

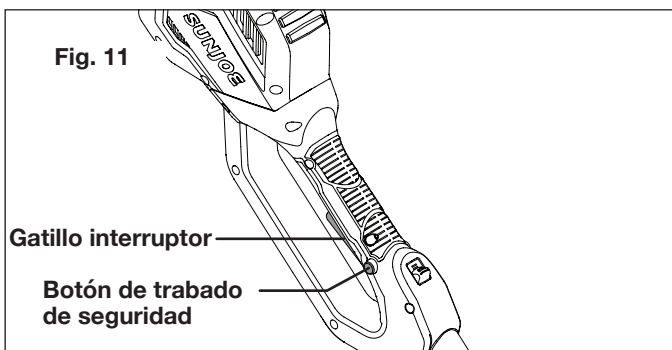
Antes de encender la unidad, asegúrese de que la podadora inalámbrica no haga contacto con ningún objeto.

1. Deslice la batería dentro de su compartimento hasta que se trabe en su posición (Fig. 10).

¡IMPORTANTE! Asegúrese de que la batería esté conectada correctamente a la herramienta antes de empezar la operación.



2. Para poner en marcha la podadora inalámbrica, presione y mantenga presionado el botón de trabado de seguridad con su pulgar, y luego apriete el gatillo interruptor con sus dedos. Una vez que la máquina se encienda, usted puede soltar el botón de trabado de seguridad y proceder con la operación (Fig. 11).

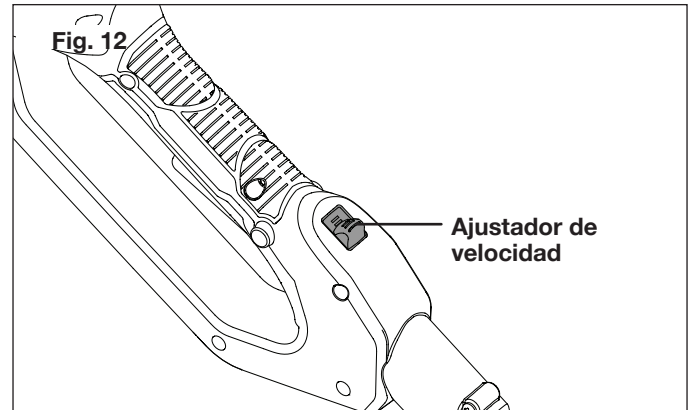


3. Para APAGARLA, suelte el gatillo interruptor. Retire la batería de su compartimento (Fig. 11).

⚠ ¡ADVERTENCIA! Siempre retire la batería de la podadora inalámbrica durante pausas y al terminar de trabajar.

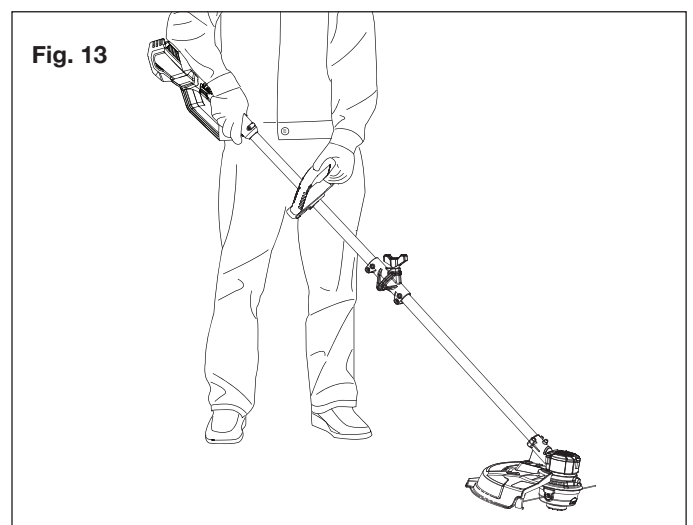
Configuración de velocidad

Esta podadora inalámbrica tiene dos velocidades de operación. Deslice el ajustador de velocidad en el mango para cambiar la velocidad (Fig. 12).



Poda

- Use guantes anti-deslizantes para un máximo agarre y protección. Sujete la podadora inalámbrica con su mano derecha en el mango posterior con el brazo derecho ligeramente doblado, y su mano izquierda en la empuñadura auxiliar frontal con el brazo izquierdo en posición recta. La podadora inalámbrica debe ser sujeta en una posición cómoda, con el mango posterior a la altura de la cadera. El cabezal de la podadora debe estar paralelo al piso y hacer contacto fácilmente con el material a ser cortado, sin que el operador tenga que inclinarse (Fig. 13).



- Para la mejor acción de corte contra paredes y cercas, así como con césped alto, mueva la podadora inalámbrica lentamente de manera que el césped sea cortado con la punta de la línea de nylon a alta velocidad. No fuerce la podadora. Cortar empleando más que solo la punta reducirá la eficiencia de corte y puede sobrecalentar el motor.
- Evite arrastrar la podadora inalámbrica con el eje de bobina de línea haciendo contacto con el suelo.
- Solo pade cuando el césped y las hierbas estén secos.
- Corte el césped alto de forma descendiente. Esto evitará que el césped se enrolle alrededor de la carcasa del eje y cabezal de línea, lo cual puede causar daños por sobrecalentamiento.
- Si el césped se enreda en el cabezal de línea:
 - Detenga la podadora;
 - Retire la batería; y
 - Despeje el césped.

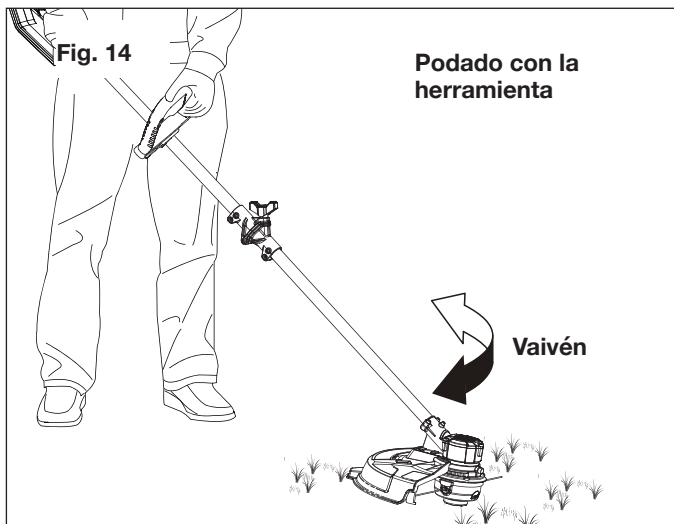
⚠ ¡ADVERTENCIA! Siempre sujete la podadora inalámbrica lejos de su cuerpo. Cualquier contacto con el cabezal de corte de la podadora inalámbrica durante la operación puede causar lesiones personales severas.

- El ciclo de vida útil de su línea de nylon depende de un uso correcto según las instrucciones, así como de lo que se corte y dónde.

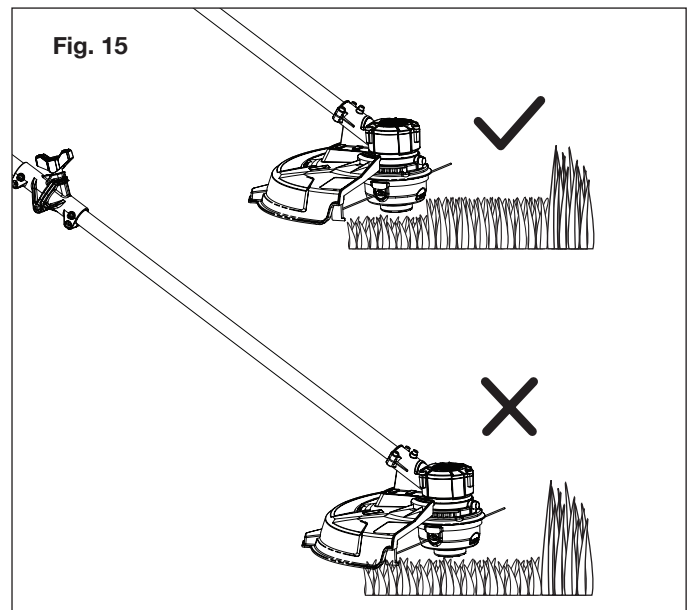
⚠ ¡ADVERTENCIA! Retire piedras, pedazos sueltos de madera y otros objetos del área a ser trabajada. La línea de corte continúa girando por algunos segundos luego de que se apague la podadora. Deje que el motor se detenga por completo antes de reanudar la operación. No encienda y apague rápidamente la podadora.

⚠ ¡PRECAUCIÓN! Use siempre protección ocular.

1. El ángulo correcto para el accesorio de corte es 0° (paralelo al suelo).
2. Mueva lentamente la podadora de lado a lado (Fig. 14).



3. No sobrecargue su podadora. En su lugar, corte de a pocos, desde arriba hacia abajo. Esto mantendrá a la máquina operativa a una alta velocidad y mejorará considerablemente su rendimiento de corte (Fig. 15).



Avance de la línea de corte

NOTA: su podadora usa una línea de nylon de 0.080 plg (2 mm) de diámetro para cortar césped y maleza de forma rápida y fácil. Con el tiempo, la punta de la línea de nylon se gastará. El cabezal de la podadora permite que el operador libere más línea de corte sin detener el motor. Mientras la línea se deshilacha o gasta, más línea puede ser soltada golpeando delicadamente el cabezal de la podadora en el piso mientras el motor esté funcionando.

NOTA: para mejores resultados, golpee el cabezal de la podadora en terreno limpio o suelo duro. Siempre mantenga la línea de corte totalmente extendida. La liberación de la línea se hace más difícil a medida que la línea se hace más corta.

⚠ ¡ADVERTENCIA! No opere la podadora trepado en un árbol, sobre una escalera, o en un andamio. Esto es extremadamente peligroso.

Mantenimiento

⚠ ¡ADVERTENCIA! Asegúrese de retirar la batería antes de inspeccionar las partes de la máquina.

⚠ ¡ADVERTENCIA! Use siempre guantes protectores durante las operaciones de mantenimiento. No efectúe tareas de mantenimiento cuando el motor esté caliente o funcionando.

- La línea de podado se puede secar con el tiempo. Para mantener la línea en buenas condiciones, guarde las bobinas pre-enrolladas de repuesto o la línea suelta en una bolsa plástica resellable con una cucharada de agua.
- Nunca limpie su podadora inalámbrica con agua o limpiadores químicos. Límpiela con un paño seco.

- Las partes plásticas pueden ser limpiadas empleando un paño mojado y una solución jabonosa suave.
- Guarde siempre su podadora inalámbrica en un lugar seco. No permita que entre ningún líquido en la unidad.
- Mantenga limpias las ranuras de ventilación del motor.

¡IMPORTANTE! Para garantizar la seguridad y confiabilidad del producto, las reparaciones, mantenimiento y ajustes a esta herramienta motorizada deben ser realizados solo con partes de repuesto idénticas. Contacte a un concesionario autorizado Snow Joe® + Sun Joe® o comuníquese con la central de servicio al cliente Snow Joe® + Sun Joe® llamando al 1-866-SNOWJOE (1-866-766-9563) para obtener ayuda.

Reemplazo de la bobina y despeje de obstrucciones y líneas enredadas

⚠ ¡ADVERTENCIA! Retire la batería de su

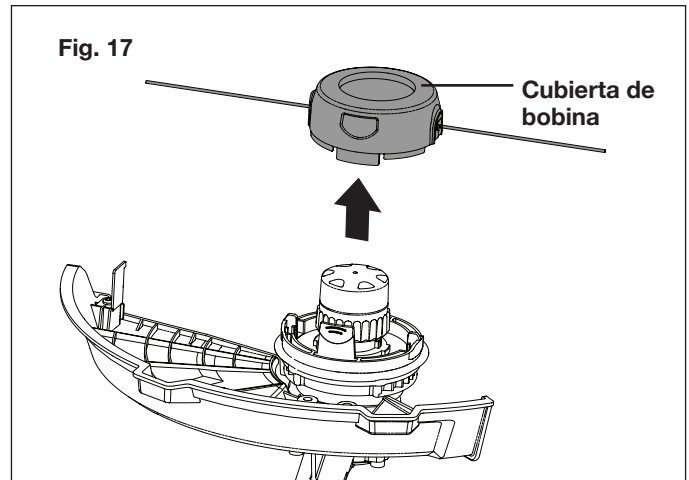
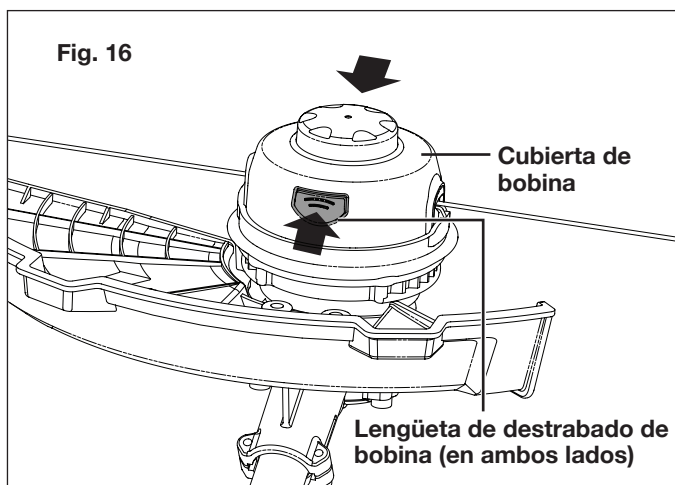
compartimiento antes de cambiar la línea de corte.

⚠ ¡ADVERTENCIA! Nunca use líneas reforzadas con

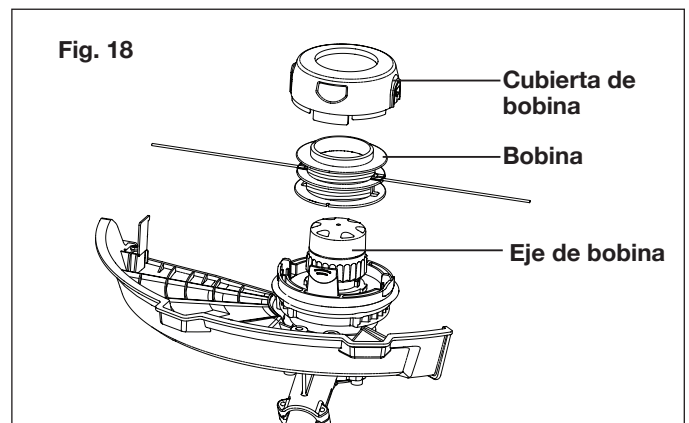
metal, alambre, soga, etc. Se pueden partir y convertirse en peligrosos proyectiles.

NOTA: la bobina de repuesto de doble línea de 16.4 pies (5 m) (modelo 24V-ST14B-SPOOL) está disponible para su uso con la podadora inalámbrica 24V-ST14B. Visite snowjoe.com para adquirir este accesorio. Use siempre la línea de nylon recomendada, con un diámetro no mayor de 0.08 plg (2 mm). Usar una línea distinta de la especificada puede hacer que la podadora inalámbrica se sobrecaliente o dañe.

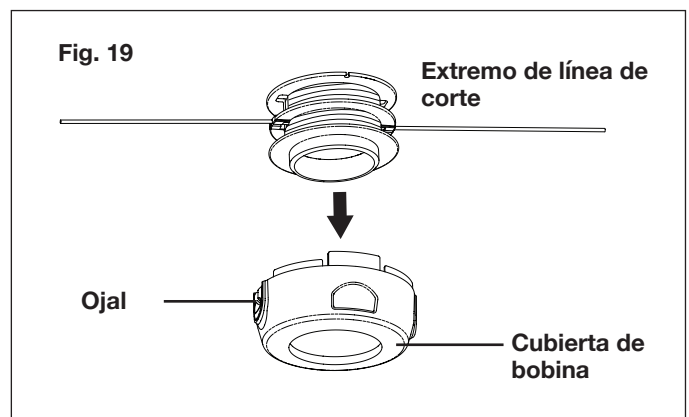
1. Presione al mismo tiempo ambas lengüetas de destrabado en la cubierta de bobina de línea y retire la cubierta y la bobina jalándolas directamente (Figs. 16 y 17).



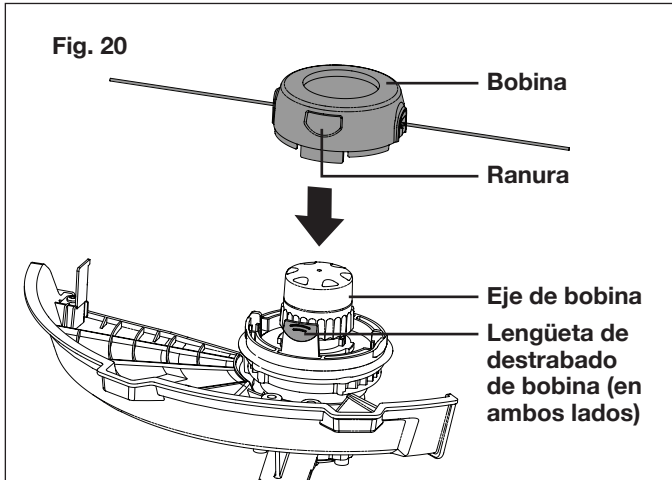
2. Retire la bobina fuera de la cubierta de bobina (Fig. 18), limpie la línea de corte restante, y retire cualquier atascamiento, suciedad o residuos de césped.



3. Re-inserte la bobina en el eje de bobina tal como se indica, o inserte una nueva bobina pre-enrollada (Fig. 18).
4. Inserte cada línea a través de su respectivo ojal en cada lado de la cubierta de bobina y presione delicadamente la bobina hacia abajo (Fig. 19).



5. Vuelva a instalar la bobina en el eje de bobina. Presione hasta que las lengüetas de destrabado de la bobina hagan “clic” dentro de las ranuras.



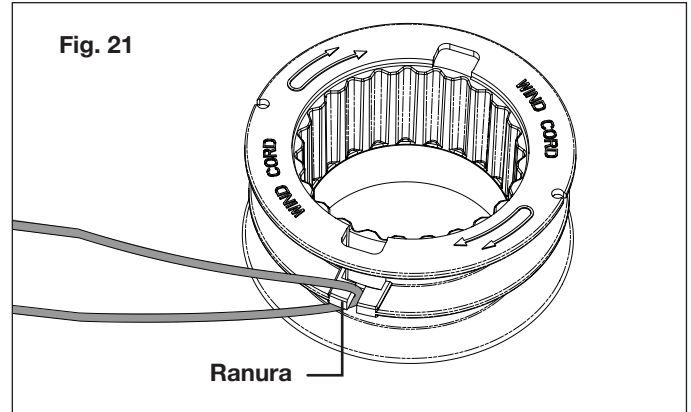
IMPORTANTE: use solo partes de repuesto originales especificadas para esta máquina.

Usted puede comprar una bobina de repuesto pre-enrollada (modelo 24V-ST14B-SPOOL) y otras partes de repuesto originales ordenando en línea en sunjoe.com o por teléfono llamando a nuestra línea gratuita de ayuda 1-866-SNOWJOE (1-866-766-9563). El uso de partes que no cumplan con las especificaciones del equipo original puede provocar un funcionamiento incorrecto de la podadora inalámbrica, comprometer la seguridad del operador, e invalidar la garantía del fabricante.

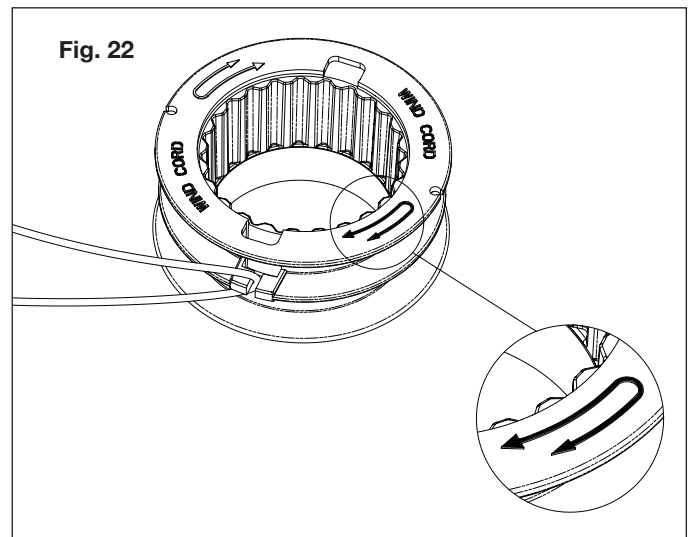
Rebobinado de línea

NOTA: si desea enrollar la línea por su cuenta, las instrucciones se encuentran a continuación. Sin embargo, **NO SE RECOMIENDA** el enrollado por cuenta propia ya que si la línea no está enrollada apropiadamente puede causar que el sistema de alimentación por golpe de la podadora inalámbrica funcione incorrectamente. Por este motivo, se recomienda enfáticamente a los usuarios comprar la bobina pre-enrollada.

1. Apague la unidad y retire la batería. Asegúrese de que la bobina se haya detenido por completo.
2. Para retirar la bobina de su eje, siga los pasos 1 y 2 de la sección “Reemplazo de la bobina y despeje de obstrucciones y líneas enredadas” comenzando en la página 33.
3. Encuentre el medio de un nuevo pedazo de línea de corte e insértelo en la ranura en el centro de la bobina (Fig. 21).



4. Rebobine ambos extremos dentro de las ranuras usando una tensión leve y siguiendo la dirección de las flechas (Fig. 22).



5. Reinstale la bobina según lo indicado en los pasos 3, 4 y 5 de “Reemplazo de la bobina y despeje de obstrucciones y líneas enredadas”.

¡PRECAUCIÓN! Los pedazos de nylon arrojados pueden causar lesiones personales.

¡ADVERTENCIA! Preste atención a la dirección del enrollado.

NOTA: reemplace siempre la bobina con una nueva bobina pre-enrollada. Visite sunjoe.com para comprar la bobina pre-enrollada (modelo 24V-ST14B-SPOOL) para esta podadora inalámbrica.

Almacenamiento

Siga estas recomendaciones para almacenar la podadora inalámbrica.

- Limpie a fondo la podadora de césped antes de guardarla.
- Guarde la podadora inalámbrica en un lugar estable y seguro, lejos del alcance de los niños. Mantenga la podadora en un lugar seco donde la temperatura no sea ni muy fría ni muy caliente.
- Al almacenar la podadora inalámbrica, no la apoye contra el piso. Cuélguela por la empuñadura superior, de modo que el protector de seguridad no toque nada. Si el protector de seguridad se apoya contra una superficie, su forma y dimensiones pueden ser alteradas permanentemente, haciendo que la máquina sea insegura para su uso.

Precaución y eliminación de la batería

Deshágase de su batería de acuerdo con los reglamentos federales, estatales y locales. Para encontrar lugares de reciclaje, comuníquese con un servicio de reciclaje en su localidad.

⚠ ¡PRECAUCIÓN! Incluso las baterías descargadas contienen algo de energía. Antes de deshacerse de estas, use cinta aislante para cubrir los terminales y evitar que la batería haga cortocircuito, lo cual puede causar una explosión o incendio.

⚠ ¡ADVERTENCIA! Para reducir el riesgo de lesiones personales o explosión, nunca queme ni incinere una batería incluso si está dañada, inservible o completamente descargada. Al ser quemada, los humos y materiales tóxicos son lanzados a la atmósfera circundante.

1. Las baterías varían de acuerdo al dispositivo. Consulte su manual para obtener la información específica.
2. Instale solo nuevas baterías del mismo tipo en su producto (donde corresponda).
3. No insertar las baterías con la polaridad correcta, tal como se indica en el compartimiento de la batería o en el manual, puede reducir el ciclo de vida útil de las baterías o causar fugas en estas.
4. No combine baterías nuevas con antiguas.
5. No combine baterías alcalinas, estándar (de zinc-carbono) o recargables (de níquel-cadmio, de níquel-hidruro metálico o de iones de litio).
6. No arroje las baterías al fuego.
7. Las baterías deben ser recicladas o desechadas según los reglamentos locales y estatales.

Servicio y soporte

Si su podadora inalámbrica 24V-ST14B de Sun Joe® requiere servicio o mantenimiento, comuníquese con la central de servicio al cliente Snow Joe® + Sun Joe® llamando al 1-866-SNOWJOE (1-866-766-9563).

Modelo y número de serie

Al comunicarse con la empresa, ordenar partes de repuesto o programar una reparación en un centro autorizado, usted necesitará proporcionar el modelo y número de serie, los cuales se encuentran en la etiqueta ubicada en la carcasa de la unidad. Copie estos números en el espacio proporcionado a continuación.

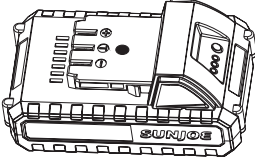
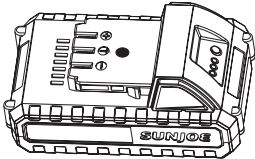
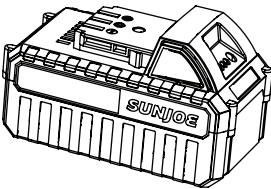
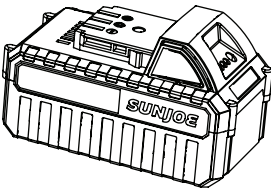
Registre los siguientes números que se encuentran en la carcasa o mango de su nuevo producto:	
Modelo:	
2 4 V - S T 1 4 B	
N° de serie:	

Solución de problemas

Problema	Causa posible	Solución posible
El motor no funciona o la herramienta funciona lentamente.	<ul style="list-style-type: none"> • La batería no está insertada correctamente o está agotada. • La carcasa de la bobina no puede girar libremente. • La línea de corte no está sobresaliendo. 	<ul style="list-style-type: none"> • Compruebe que la batería esté cargada e insertada correctamente. • Retire la bobina y limpie las ranuras, retirando cuidadosamente el césped, yerbas y residuos. • Corte la línea de la bobina de manera que apenas alcance la cuchilla cortadora de línea. • Si la podadora inalámbrica no enciende luego de completar estos pasos de verificación, comuníquese con un concesionario autorizado Snow Joe® + Sun Joe® o comuníquese con la central de servicio al cliente Snow Joe® + Sun Joe® llamando al 1-866-SNOWJOE (1-866-766-9563).
La línea no se corta.	<ul style="list-style-type: none"> • La cortadora de línea en el protector de seguridad está cubierta, dañada o ausente. • La línea se extiende más allá del protector de seguridad. 	<ul style="list-style-type: none"> • Contacte a un concesionario autorizado Snow Joe® + Sun Joe® o comuníquese con la central de servicio al cliente Snow Joe® + Sun Joe® llamando al 1-866-SNOWJOE (1-866-766-9563). • Rebobine o corte la línea hasta que alcance la cuchilla cortadora.

Accesorios opcionales

⚠ ¡ADVERTENCIA! USE SIEMPRE solo partes de repuesto y accesorios Snow Joe® + Sun Joe®. NUNCA use partes de repuesto o accesorios que no estén destinados para su uso con esta podadora inalámbrica. Comuníquese con Snow Joe® + Sun Joe® si tiene dudas sobre si es seguro usar una parte de repuesto o accesorio en particular con su podadora inalámbrica. El uso de cualquier otro accesorio o parte puede ser peligroso y causar lesiones personales o daños mecánicos.

Accesorio	Descripción	Modelo
<p>①</p> 	<p>Batería de iones de litio iON+ de 24 V y 2 Ah <i>Tiempo máximo de duración de batería: 8 min (corta hasta 60 m² de césped)</i></p>	<p>24VBAT-LTE</p>
<p>②</p> 	<p>Batería de iones de litio iON+ de 24 V y 2.5 Ah <i>Tiempo máximo de duración de batería: 10 min (corta hasta 74 m² de césped)</i></p>	<p>24VBAT-LT</p>
<p>③</p> 	<p>Batería de iones de litio iON+ de 24 V y 4.0 Ah <i>Tiempo máximo de duración de batería: 16 min (corta hasta 120 m² de césped)</i></p>	<p>24VBAT</p>
<p>④</p> 	<p>Batería de iones de litio iON+ de 24 V y 5.0 Ah <i>Tiempo máximo de duración de batería: 22 min (corta hasta 158 m² de césped)</i></p>	<p>24VBAT-XR</p>

Accesorio	Descripción	Modelo
<p>7</p> 	<p>Cargador rápido de batería de iones de litio iON+ de 24 V</p>	<p>24VCHRG-QC</p>
<p>8</p> 	<p>Cargador de doble puerto de baterías de iones de litio iON+ de 24 V</p>	<p>24VCHRG-DPC</p>
<p>9</p> 	<p>Bobina de repuesto de línea doble para podadora inalámbrica</p>	<p>24V-ST14B-SPOOL</p>

NOTA: los accesorios están sujetos a cambios sin obligación alguna por parte de Snow Joe® + Sun Joe® de notificar sobre dichos cambios. Los accesorios pueden ser pedidos en línea en snowjoe.com o vía telefónica llamando a la central de servicio al cliente Snow Joe® + Sun Joe® al 1-866-SNOWJOE (1-866-766-9563).



LA PROMESA DE SNOW JOE® + SUN JOE® AL CLIENTE

POR SOBRE TODO, en Snow Joe, LLC (“Snow Joe”) estamos dedicados a usted, nuestro cliente. Nos esforzamos por hacer que su experiencia sea lo más placentera posible. Desafortunadamente, hay veces en que un producto Snow Joe®, Sun Joe®, o Aqua Joe® (el “Producto”) no funciona o sufre un desperfecto bajo condiciones normales de operación. Creemos que es importante que usted sepa que puede confiar en nosotros. Es por eso que tenemos esta Garantía Limitada (la “Garantía”) para nuestros Productos.

NUESTRA GARANTÍA:

Snow Joe garantiza que sus Productos motorizados y no motorizados, nuevos y genuinos, están libres de defectos materiales o de mano de obra al ser usados en tareas domésticas normales durante un periodo de dos (2) años a partir de la fecha de compra por parte del comprador original y usuario final, cuando este último los compra a través de Snow Joe o un vendedor autorizado por Snow Joe y ha obtenido un comprobante de compra. Ya que Snow Joe no puede controlar la calidad de sus Productos vendidos por vendedores no autorizados, a menos que la ley lo prohíba esta Garantía no cubre Productos adquiridos a través de vendedores no autorizados. Si su Producto no funciona, o hay un problema con una parte específica que está cubierta por los términos de esta Garantía, Snow Joe elegirá entre: (1) enviarle una parte de repuesto gratuita; (2) reemplazar el Producto con uno nuevo o similar sin costo alguno; o (3) reparar el Producto. ¡Un excelente soporte!

Esta Garantía le da derechos legales específicos, y usted puede también tener otros derechos según el Estado.

REGISTRO DEL PRODUCTO:

Snow Joe le recomienda enfáticamente registrar su Producto. Usted puede registrar su Producto en línea visitando snowjoe.com/register, imprimiendo y enviando por correo una tarjeta de registro disponible en línea en nuestro sitio Web, llamando a nuestra central de servicio al cliente al **1-866-SNOWJOE (1-866-766-9563)**, o enviándonos un e-mail a help@snowjoe.com. Si usted no registra su Producto sus derechos de garantía no disminuirán; sin embargo, registrar su Producto permitirá que Snow Joe le pueda atender mejor si usted tiene alguna necesidad como cliente.

¿QUIÉN PUEDE SOLICITAR COBERTURA DE GARANTÍA LIMITADA?

Esta Garantía es otorgada por Snow Joe al comprador original y propietario original del Producto.

¿QUÉ NO ESTÁ CUBIERTO?

Esta Garantía no se aplica si el Producto ha sido usado de forma comercial o en aplicaciones no domésticas o de alquiler. Esta Garantía tampoco se aplica si el Producto fue adquirido desde un vendedor no autorizado. Esta garantía tampoco cubre cambios cosméticos que no afecten el funcionamiento del Producto. Las partes desgastables como correas, brocas y cuchillas no están cubiertas por esta Garantía, y pueden ser compradas visitando snowjoe.com o llamando al **1-866-SNOWJOE (1-866-766-9563)**.

IMPORTANT!

Consignes de sécurité

Tous les utilisateurs doivent lire ces instructions avant d'utiliser l'outil

Lisez toutes les instructions contenues dans ce manuel. Conservez ce manuel en lieu sûr pour que les informations qu'il contient soient disponibles en permanence. Si vous confiez l'outil à une autre personne, assurez-vous de lui fournir ces consignes d'utilisation. Les précautions de sécurité de base doivent toujours être suivies pour réduire le risque d'incendie, de secousse électrique ou de dommages corporels.

⚠ DANGER! Ceci indique une situation dangereuse qui, en l'absence de précautions, entraînera des blessures graves ou même fatales.

⚠ AVERTISSEMENT! Ceci indique une situation dangereuse qui, en l'absence de précautions, pourrait entraîner des blessures graves ou même fatales.

⚠ MISE EN GARDE! Ceci indique une situation dangereuse qui, en l'absence de précautions, pourrait entraîner des blessures mineures ou modérément graves. L'utilisation inappropriée de l'outil annule la garantie et dégage le fabricant de toutes ses responsabilités. Dès lors, l'utilisateur est responsable de tous les dommages matériels ou corporels, de quelque nature qu'ils soient, affectant d'autres personnes ou lui-même.

⚠ DANGER! Le coupe-gazon sans cordon doit être uniquement utilisé pour couper l'herbe de pelouses et autour de massifs de fleurs. Toutes autres utilisations que celles décrites dans ce manuel pourraient endommager le coupe-gazon et blesser gravement l'utilisateur.

Sécurité générale

- 1. Éviter les endroits dangereux** – N'utilisez pas cet outil dans les endroits humides. Ne l'utilisez pas non plus sous la pluie.
- 2. Maintenir les enfants et les spectateurs à bonne distance** – Les enfants et les autres spectateurs, y compris les animaux familiers, doivent être tenus éloignés d'au moins 15 mètres de la zone de travail. Quand vous

coupez l'herbe, des pierres et des débris dissimulés dans l'herbe peuvent être ramassés par le coupe-gazon et être projetés en l'air. Ces projectiles volants peuvent entraîner la cécité ou blesser d'autres parties du corps.

- 3. S'habiller en conséquence** – Pour éviter de vous blesser la tête, les mains ou les pieds, portez toujours des vêtements appropriés quand vous utilisez le coupe-gazon. Ne portez ni vêtements amples ni bijoux. Ils peuvent être happés par les pièces mobiles.
- 4. Porter des lunettes de sécurité** – Portez également des chaussures de protection, des vêtements serrés près du corps, des gants de protection, des protecteurs d'oreille et une protection de la tête.
- 5. Utiliser les bons outils** – N'utilisez pas d'outils pour des travaux différents de ceux auxquels ils sont destinés.
- 6. Prévenir les démarrages accidentels** – Ne transportez pas l'outil en ayant le doigt sur la gâchette. Avant d'insérer la batterie, assurez-vous que l'interrupteur est à la position d'arrêt.
- 7. Ne pas forcer l'outil** – Il exécutera le travail efficacement et dans de meilleures conditions de sécurité s'il est utilisé au régime pour lequel il a été conçu.
- 8. Ne pas s'arc-bouter** – Restez en permanence sur les deux pieds pour ne pas perdre l'équilibre.
- 9. Rester vigilant** – Surveillez ce que vous faites. Faites preuve de bon sens. N'utilisez pas le coupe-gazon si vous êtes fatigué ou si vous avez consommé de l'alcool ou de la drogue.
- 10. Débrancher l'outil** – Arrêtez le coupe-gazon et retirez la batterie dans les cas suivants : l'outil n'est pas utilisé; il est laissé sans surveillance; il fait l'objet d'une inspection parce qu'il ne fonctionne pas correctement; le fil de coupe est retiré ou en cours de remplacement; le coupe-gazon est déplacé d'un endroit à un autre.
- 11. Ranger les outils à l'intérieur lorsqu'ils ne sont pas utilisés** – Si vous n'utilisez pas vos outils, rangez-les à l'intérieur dans un endroit sec et surélevé ou sous clé, hors de portée des enfants.
- 12. Entretien avec soin les machines et outils** – Pour qu'il puisse être utilisé au mieux de son rendement et pour réduire le risque de vous blesser, veillez à ce que le fil de coupe soit toujours propre. Suivez les instructions pour l'entretien ou le changement d'accessoire. Faites réparer le coupe-gazon uniquement chez un réparateur agréé. Maintenez les poignées sèches, propres et exemptes d'huile et de graisse.

13. Vérifier qu'il n'y a pas de pièces endommagées –

Avant de continuer à utiliser le coupe-gazon, le carter de protection ou toute autre pièce endommagées doivent être soigneusement vérifiés pour vous assurer qu'ils fonctionnent correctement pour l'utilisation à laquelle ils sont destinés. Vérifiez l'alignement des pièces mobiles, qu'aucune pièce ne grippé ou n'est cassée, les fixations et tout autre problème susceptible d'entraver le bon fonctionnement de l'outil. Sauf indication contraire figurant ailleurs dans ce manuel, tout dispositif de protection ou toute autre pièce endommagées doivent être réparés ou remplacés par un centre d'entretien et de réparation agréé.

⚠ MISE EN GARDE! Le carter de protection est essentiel pour la sécurité de l'utilisateur et celle des personnes ne se tenant pas à bonne distance du coupe-gazon. Le carter de protection maintient l'outil en bon état de fonctionnement et doit toujours être en place pendant son utilisation. Si le carter de protection n'est pas en place pendant l'utilisation, l'outil est dangereux et sa garantie est annulée.

14. Se tenir éloigné du fil de coupe – Il peut blesser gravement la peau.

15. Ne pas essayer d'arrêter le dispositif de coupe en utilisant les mains – Laissez-le toujours s'arrêter de lui-même.

16. Rester vigilant – Surveillez ce que vous faites. Faites preuve de bon sens. N'utilisez pas le coupe-gazon si vous êtes fatigué, si vous avez consommé de la drogue, de l'alcool ou pris des médicaments.

⚠ MISE EN GARDE! La bobine du fil de coupe continuera à tourner après l'arrêt du coupe-gazon. Patienter jusqu'à ce que la bobine du fil de coupe se soit complètement arrêtée avant de la toucher.

- Utilisez uniquement le même type de fil de coupe que celui qui est monté à l'origine sur l'outil.
- N'utilisez pas l'outil pour couper de l'herbe qui n'est pas en contact avec le sol.
- Ne mettez pas en marche le coupe-gazon dans un espace confiné ou mal ventilé ou en présence de substances inflammables ou explosives, par exemple des liquides, des gaz ou des poudres.
- L'utilisateur est responsable de tous les dommages causés à des tiers par le coupe-gazon dans la zone de travail.
- Utilisez l'outil uniquement quand il fait plein jour, sinon prévoyez un éclairage artificiel.
- Ne traversez pas une route ou un chemin de gravier si l'outil est encore en marche.
- Si vous n'utilisez pas le coupe-gazon, rangez-le dans un endroit sec et hors de portée des enfants.
- Le coupe-gazon doit être utilisé en position verticale et perpendiculairement au sol.
- Vérifiez régulièrement que toutes les vis sont bien serrées.

Consignes de sécurité concernant la batterie et le chargeur

Nous avons consacré beaucoup de temps à la conception de chaque bloc-piles afin de nous assurer de vous fournir des batteries qui peuvent être utilisées sans danger, sont robustes et ont une énergie volumique élevée. Les cellules des batteries sont dotées d'un large éventail de dispositifs de sécurité. Chaque cellule individuelle est initialement formatée et ses courbes électriques caractéristiques sont enregistrées. Ces données sont ensuite utilisées exclusivement pour pouvoir assembler les meilleurs blocs-piles possibles.

Malgré toutes ces mesures de précaution, il faut toujours faire preuve de prudence lors de la manipulation de batteries. Pour utiliser sans danger les batteries, les points suivants doivent être observés en permanence. L'utilisation sans danger peut uniquement être garantie si les cellules sont intactes. Toute manipulation inappropriée d'un bloc-piles peut endommager les cellules.

IMPORTANT! Les analyses confirment que la mauvaise utilisation de batteries à haut rendement et un entretien laissant à désirer sont les principaux facteurs responsables de dommages corporels et/ou matériels.

⚠ AVERTISSEMENT! Utiliser uniquement des batteries de rechange homologuées. D'autres types de batteries peuvent endommager l'outil électrique et empêcher son bon fonctionnement, ce qui peut entraîner de graves dommages corporels.

⚠ AVERTISSEMENT! N'utilisez pas un bloc-piles ou un outil endommagé ou modifié. Les batteries endommagées ou modifiées peuvent se comporter de manière imprévisible et être la cause d'un incendie, d'une explosion ou de dommages corporels.

Ne modifiez pas le chargeur ou le bloc-piles ou n'essayez pas de les réparer, sauf précisions contraires concernant leur utilisation ou leur entretien.

Faites réparer ou entretenir votre bloc-piles par un réparateur qualifié utilisant uniquement des pièces de rechange identiques. C'est à ce prix que la sécurité du bloc-piles sera préservée.

⚠ MISE EN GARDE! Pour réduire le risque de dommages corporels, charger le bloc-piles au lithium-ion 24 V Sun Joe® uniquement dans le chargeur au lithium-ion Sun Joe® spécifiquement prévu à cet effet. Les autres types de chargeurs présentent des risques d'incendie et de dommages corporels et matériels. Ne brancher aucun bloc-piles sur le secteur ou l'allume-cigare d'une voiture. Le bloc-piles serait définitivement et irrémédiablement endommagé.

- **Évitez les environnements dangereux** : ne chargez pas le bloc-piles sous la pluie, sous la neige ou dans les endroits humides. N'utilisez pas le bloc-piles ou le chargeur lorsque l'atmosphère est explosive (vapeurs d'essence, poussière ou matières inflammables), des étincelles pouvant se produire lors de l'insertion ou du retrait du bloc-piles, ce qui pourrait provoquer un incendie.

- **Chargez dans un endroit bien ventilé** : ne bloquez pas les orifices de ventilation du chargeur. Dégagez le voisinage immédiat du chargeur pour qu'il soit bien ventilé. Interdisez de fumer et n'autorisez la présence d'aucune flamme nue à proximité d'un bloc-piles se chargeant. Le gaz dispersé dans l'atmosphère peut exploser.

REMARQUE : la zone de température de sécurité pour la batterie est comprise entre 5 °C et 40,5 °C. Ne chargez pas la batterie à l'extérieur lorsqu'il gèle, chargez-la à température ambiante.

- **Prenez soin du cordon du chargeur** : lorsque vous débranchez le chargeur, tirez sur la fiche dans la prise et non sur le cordon pour éviter d'endommager la fiche électrique et le cordon. Ne tirez jamais le chargeur par le cordon et ne tirez pas brusquement sur le cordon pour le retirer de la prise. Maintenez le cordon éloigné de la chaleur, de l'huile et des arêtes vives. Pendant l'utilisation du chargeur, assurez-vous que personne ne marche sur le cordon, ne trébuche dessus et qu'il ne peut être ni endommagé ni soumis à des tensions ou des pressions. N'utilisez pas le chargeur si sa fiche ou son cordon est endommagé. Remplacez immédiatement tout chargeur endommagé.
- **N'utilisez pas de rallonge électrique, à moins que cela soit absolument nécessaire** : l'utilisation d'une rallonge électrique mal adaptée, endommagée ou mal branchée présente des risques d'incendie et de secousse électrique. S'il s'avère nécessaire d'utiliser une rallonge électrique, branchez le chargeur dans une rallonge électrique de calibre 16 ou plus gros, la fiche femelle correspondant à la fiche mâle sur le chargeur. Vérifiez que la rallonge électrique est en bon état.
- **Le chargeur 24VCHRG-QC est prévu uniquement pour 120 VCA** : le chargeur doit être branché dans une prise appropriée.
- **Utilisez uniquement des accessoires recommandés** : l'utilisation d'un accessoire non recommandé ou vendu par le fabricant du bloc-piles ou du chargeur peut provoquer un incendie, une secousse électrique ou des dommages corporels.
- **Débranchez tout chargeur non utilisé** : assurez-vous de déconnecter le bloc-piles d'un chargeur débranché.

⚠ AVERTISSEMENT! Pour réduire le risque de secousse électrique, toujours débrancher le chargeur avant d'effectuer un nettoyage ou un entretien. Ne pas laisser d'eau couler dans le chargeur. Pour réduire le risque de secousse électrique, utiliser un disjoncteur différentiel de fuite de terre (DDFT).

- **Ne brûlez pas ou n'incinerez pas le bloc-piles** : il peut exploser et provoquer des dommages corporels ou

matériels. Des gaz et des particules toxiques se dégagent d'un bloc-piles qui brûle.

- **N'écrasez pas, ne faites pas tomber ou n'endommagez pas le bloc-piles** : n'utilisez pas le bloc-piles ou le chargeur s'il a reçu un coup brutal, s'il est tombé, s'il a été écrasé ou endommagé d'une façon ou d'une autre (c.-à-d., percé par un clou, frappé d'un coup de marteau, foulé au pied, etc.).
- **Ne démontez rien** : un remontage mal effectué peut présenter un risque important de secousse électrique, d'incendie ou d'exposition aux produits chimiques toxiques des batteries. Si la batterie ou le chargeur sont endommagés, veuillez communiquer avec un revendeur Snow Joe® + Sun Joe® agréé ou appeler le service à la clientèle Snow Joe® + Sun Joe® au 1-866-SNOWJOE (1-866-766-9563) pour de l'aide.
- **Les produits chimiques des batteries peuvent occasionner de graves brûlures** : ne laissez jamais un bloc-piles endommagé entrer en contact avec la peau, les yeux ou la bouche. Si un bloc-piles endommagé laisse fuir des produits chimiques, utilisez des gants en caoutchouc ou en néoprène pour les éliminer sans danger. Si la peau est entrée en contact avec les fluides d'une batterie, lavez la zone affectée à l'eau et au savon et rincez au vinaigre. Si les yeux sont entrés en contact avec des produits chimiques de batterie, rincez immédiatement à grande eau pendant 20 minutes et consultez un médecin. Retirez les vêtements contaminés et jetez-les.
- **Ne provoquez pas de court-circuit** : lorsque vous n'utilisez pas le bloc-piles, rangez-le à l'écart d'autres objets métalliques, par exemple des trombones, pièces de monnaie, clés, clous, vis ou autres petits objets métalliques qui peuvent établir un contact entre les deux bornes. Le court-circuit des bornes d'une batterie peut être à l'origine de brûlures ou d'un incendie.
- **Rangez le bloc-piles et son chargeur dans un endroit frais et sec** : ne les rangez pas dans un endroit où la température peut être supérieure à 40,5 °C, par exemple directement sous les rayons du soleil, à l'intérieur d'un véhicule ou dans un cabanon à structure métallique pendant l'été.

Renseignements sur la batterie

1. Le bloc-piles fourni avec votre coupe-gazon sans cordon n'est que partiellement chargé. Le bloc-piles doit être complètement chargé avant d'utiliser l'outil pour la première fois.
2. Pour un rendement optimal du bloc-piles, évitez d'attendre qu'il soit presque déchargé et chargez-le fréquemment.
3. Rangez le bloc-piles dans un endroit frais, idéalement à 25 °C et chargez au moins à 40 %.
4. Les batteries au lithium-ion s'usent naturellement avec le temps. Le bloc-piles doit être remplacé au plus tard lorsque sa capacité chute à 80 % de sa capacité d'origine, neuf. Les cellules affaiblies dans un bloc-piles usé ne peuvent plus produire la forte intensité exigée pour que votre coupe-gazon sans cordon fonctionne normalement, ce qui présente un risque pour la sécurité.

5. Ne jetez pas le bloc-piles dans un feu nu, ce qui pourrait le faire exploser.
6. Ne mettez pas le feu au bloc-piles et ne l'exposez pas à une flamme.
7. Ne déchargez jamais complètement le bloc-piles. La décharge poussée d'une batterie endommagera ses cellules. Le rangement prolongé et la non-utilisation d'une batterie partiellement déchargée sont les causes les plus communes d'une décharge complète. Arrêtez votre travail dès que vous remarquez que la puissance de la batterie chute ou dès que le système de protection électronique se déclenche. Rangez le bloc-piles uniquement s'il est à charge complète.
8. Protégez la batterie et l'outil contre les surcharges. Les surcharges donneront rapidement lieu à une surchauffe et endommageront les cellules à l'intérieur du boîtier de batterie, même si cette surchauffe n'est pas visible de l'extérieur.
9. Évitez d'endommager la batterie et de la soumettre à des chocs. Remplacez immédiatement toute batterie qui est tombée d'une hauteur supérieure à 1 m ou qui a été soumise à des chocs violents, même si le boîtier du bloc-piles ne semble pas endommagé. Les cellules de batterie à l'intérieur de la batterie peuvent avoir été gravement endommagées. Dans ce cas, veuillez lire les renseignements sur l'élimination des déchets en ce qui concerne les batteries.
10. Si le bloc-piles souffre d'une surcharge ou d'une surchauffe, le coupe-circuit de protection intégré coupe le moteur de l'outil par mesure de sécurité.
IMPORTANT! N'appuyez plus sur le bouton marche/arrêt si le coupe-circuit de protection a été activé. Ceci pourrait endommager le bloc-piles.
11. Rechargez uniquement à l'aide du chargeur spécifié par le fabricant. Un chargeur qui est adapté pour un type de blocs-piles peut présenter un risque d'incendie lorsqu'il est utilisé avec un autre type de blocs-piles.
12. Utilisez le chargeur uniquement avec le type de blocs-piles spécifiquement indiqué. L'utilisation d'un autre type de blocs-piles peut présenter un risque de dommages corporels et d'incendie.
13. Si la batterie est malmenée, du liquide peut s'en échapper; évitez tout contact. En cas de contact accidentel, rincez abondamment à l'eau. En cas de contact du liquide avec les yeux, consultez un médecin. Le liquide qui s'échappe de la batterie peut causer une irritation ou des brûlures.
14. N'utilisez pas un bloc-piles ou un outil endommagé ou modifié. Les batteries endommagées ou modifiées peuvent se comporter de manière imprévisible et être la cause d'un incendie, d'une explosion ou de dommages corporels.
15. N'exposez ni bloc-piles ni chargeur au feu ou à une température excessive. Une exposition à un feu ou une température supérieure à 130 °C peut déclencher une explosion.
16. Suivez toutes les instructions de charge du bloc-piles et du chargeur en veillant à ne jamais procéder à cette opération à une température en dehors de la zone de sécurité spécifiée dans ces instructions. Charger une batterie de façon inappropriée ou à une température en dehors de la zone de sécurité spécifiée peut l'endommager et augmenter le risque d'incendie.

Renseignements sur le chargeur et le processus de charge

1. Veuillez vérifier les données marquées sur la plaque signalétique du chargeur de batterie. Assurez-vous de brancher le chargeur de batterie sur une source d'alimentation correspondant à la tension indiquée sur la plaque signalétique. Ne le branchez jamais dans une prise de tension différente.
2. Protégez le chargeur de batterie et son cordon pour éviter de les endommager. Maintenez le chargeur et son cordon éloignés de la chaleur, de l'huile et des arêtes vives. Faites réparer sans délai tout cordon endommagé par un technicien qualifié chez un revendeur Snow Joe® + Sun Joe® agréé ou appelez le service à la clientèle Snow Joe® + Sun Joe® au 1-866-SNOWJOE (1-866-766-9563).
3. La fiche électrique doit correspondre à la prise. N'apportez aucune modification, quelle qu'elle soit, à la fiche. N'utilisez pas de fiche d'adaptation avec un chargeur mis à la terre. L'utilisation de fiches non modifiées et des prises correspondantes réduira le risque de secousse électrique.
4. Maintenez hors de portée des enfants le chargeur de batterie, le bloc-piles et l'outil sans cordon.
5. N'utilisez pas le chargeur de batterie qui est fourni pour charger d'autres outils sans cordon.
6. Le bloc-piles devient chaud après une utilisation prolongée. Laissez le bloc-piles se refroidir à la température ambiante avant de le brancher dans le chargeur pour le charger.
7. Ne chargez pas la batterie de façon excessive. Ne dépassez pas le temps maximal de charge. Ce temps de charge ne s'applique qu'aux batteries déchargées. Recharger fréquemment un bloc-piles chargé ou partiellement chargé provoquera une surcharge et endommagera les cellules. Ne laissez pas la batterie branchée dans le chargeur pendant plusieurs jours consécutifs.
8. N'utilisez ou ne chargez jamais la batterie si vous soupçonnez qu'il y a plus de 12 mois qu'elle a été chargée pour la dernière fois. Il est extrêmement probable que le bloc-piles soit déjà dangereusement endommagé (décharge poussée).
9. Si vous chargez la batterie à une température inférieure à 5 °C, vous endommagez les produits chimiques des cellules, ce qui peut provoquer un incendie.









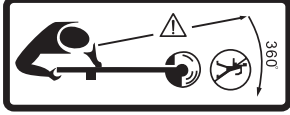
10. N'utilisez pas les batteries qui ont été exposées à la chaleur pendant leur charge, car les cellules des batteries peuvent avoir été dangereusement endommagées.
11. N'utilisez pas une batterie qui s'est bombée ou qui a subi des déformations pendant le processus de charge, ni une batterie présentant d'autres symptômes atypiques (échappement de gaz, sifflement, fissures, etc.).
12. Ne déchargez jamais complètement le bloc-piles (le niveau maximal de décharge recommandé est de 80 %). La décharge complète d'un bloc-piles entraînera le vieillissement prématuré de ses cellules.

Protection contre les influences environnementales

1. Protégez votre outil sans cordon et le chargeur de batterie contre l'humidité et la pluie. L'humidité et la pluie peuvent endommager dangereusement les cellules.
2. N'utilisez pas l'outil sans cordon ou le chargeur de batterie près de vapeurs ou de liquides inflammables.
3. Utilisez le chargeur de batterie et l'outil sans cordon uniquement en milieu sec et à une température ambiante comprise entre 5 °C et 40,5 °C.
4. Ne conservez pas le chargeur de batterie dans un endroit où la température est susceptible d'être supérieure à 40,5 °C. Ne laissez surtout pas le chargeur de batterie dans une voiture qui stationne au soleil.
5. Protégez les batteries contre la surchauffe. Les surcharges et l'exposition directe aux rayons du soleil entraînent une surchauffe des cellules et les endommagent. Ne chargez ou n'utilisez jamais une batterie qui a surchauffé : au besoin, remplacez-la immédiatement.
6. Rangez le chargeur et votre outil sans cordon uniquement dans un endroit sec où la température ambiante est comprise entre 5 °C et 40,5 °C. Rangez votre bloc-piles au lithium-ion dans un endroit frais et sec à une température de 25 °C. Protégez le bloc-piles, le chargeur et l'outil sans cordon contre l'humidité et les rayons du soleil directs. Rangez uniquement les batteries lorsqu'elles sont à charge complète (chargées au minimum à 40 %).
7. Veillez à ce que le bloc-piles au lithium-ion ne gèle pas. Les blocs-piles qui ont été entreposés à une température inférieure à 0 °C pendant plus de 60 minutes doivent être éliminés.
8. Lorsque vous manipulez une batterie, prenez garde aux décharges électrostatiques, car elles peuvent endommager le système de protection électronique et les cellules de la batterie. Évitez de produire des charges électrostatiques et ne touchez jamais les pôles d'une batterie.

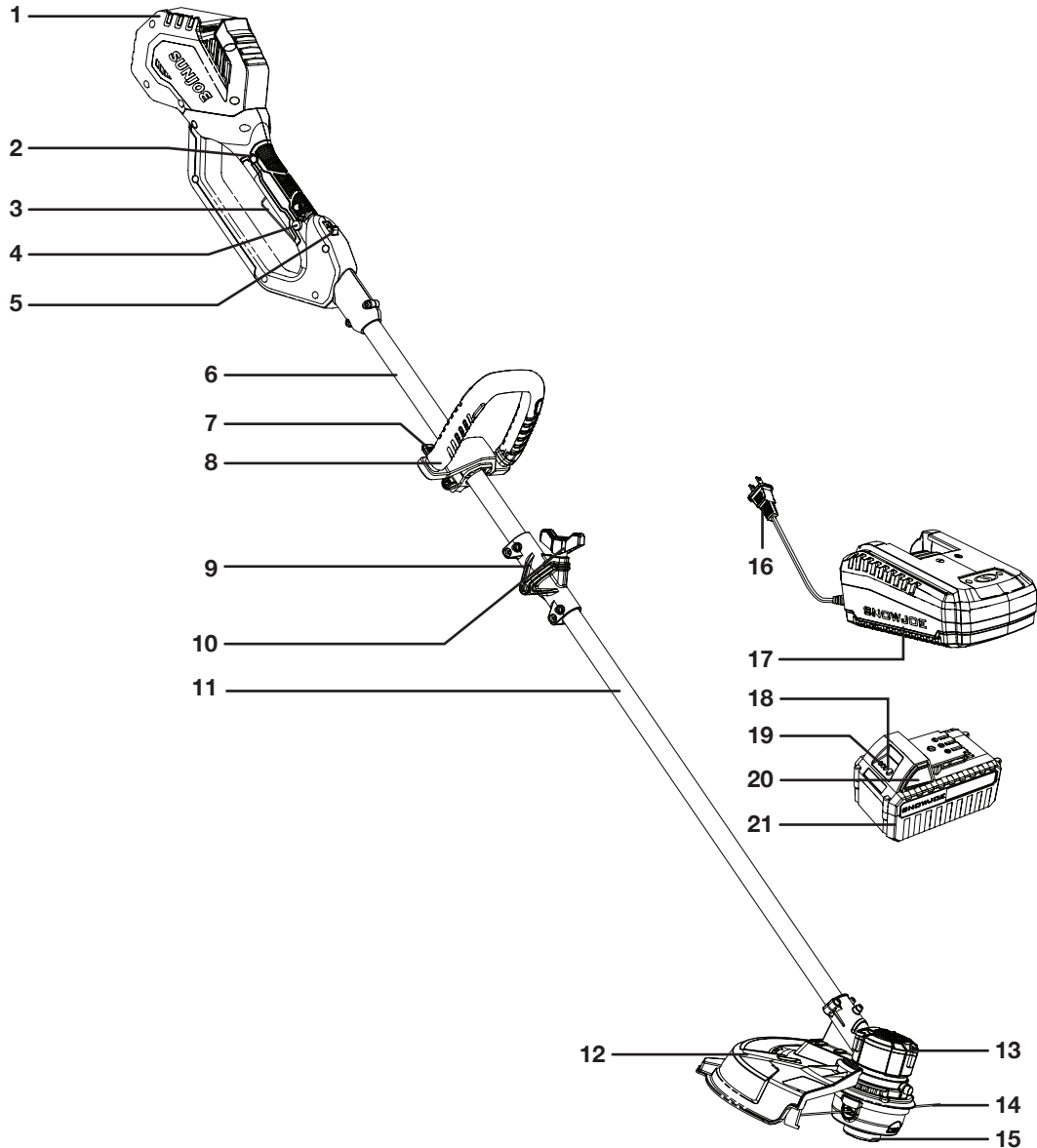
Symboles de sécurité

Le tableau suivant décrit et explique les symboles de sécurité pouvant être marqués sur cet outil. Avant d'essayer de procéder à son assemblage et de l'utiliser, lisez, comprenez et suivez toutes les instructions sur cet outil.

Symboles	Descriptions	Symboles	Descriptions
	LIRE LE OU LES MANUELS D'UTILISATION – Lire, comprendre et suivre toutes les instructions du ou des manuels avant d'essayer d'assembler et d'utiliser l'outil.		Maintenir les spectateurs et les enfants à une distance de sécurité.
	ALERTE DE SÉCURITÉ – Indique une précaution, un avertissement ou un danger.		AVERTISSEMENT! Ne pas exposer l'outil à la pluie ou une forte humidité.
	PORT OBLIGATOIRE DE PROTECTIONS DES YEUX ET DE L'OUÏE – Pour éviter de se blesser, porter des protecteurs d'oreille et des lunettes de sécurité.		Prendre garde aux objets et débris volants.
	Porter des gants de protection pour utiliser l'outil et manipuler les débris.		Utilisation uniquement à l'intérieur. Utiliser uniquement le chargeur de batterie à l'intérieur.
	DANGER! Faire attention aux projectiles pouvant atteindre des spectateurs. Maintenir les spectateurs à une distance d'au moins 15 m de l'outil.		

Apprenez à mieux connaître votre coupe-gazon sans cordon

Avant d'utiliser votre coupe-gazon sans cordon, lisez attentivement le manuel d'utilisation et les consignes de sécurité. Pour vous familiariser avec l'emplacement des différents réglages et commandes, comparez l'illustration ci-dessous avec votre coupe-gazon sans cordon. Conservez ce manuel pour pouvoir le consulter dans le futur.



- | | | |
|---------------------------------------|-----------------------------------|---|
| 1. Compartiment à batterie | 8. Poignée auxiliaire | 16. Fiche du chargeur |
| 2. Poignée rembourrée | 9. Charnières de manche | 17. Chargeur rapide au lithium-ion iON+ 24V (24VCHRG-QC) |
| 3. Gâchette | 10. Bouton de blocage | 18. Bouton-poussoir pour témoins de charge de batterie |
| 4. Bouton-poussoir de sécurité | 11. Manche inférieur en aluminium | 19. Témoin de charge de batterie |
| 5. Réglages de vitesse | 12. Carter de protection | 20. (2) Boutons-poussoirs de verrouillage |
| 6. Manche supérieur en aluminium | 13. Boîtier de bobine | 21. Batterie au lithium-ion iON+ 24V (24VBAT) dotée de la technologie exclusive EcoSharp® |
| 7. Verrouillage de poignée auxiliaire | 14. Fil de coupe | |
| | 15. Bobine | |

Données techniques

Moteur	450 W, sans balais
Tension max. de batterie*	24 VCC
Capacité de la batterie	4,0 Ah
Autonomie max.	16 min (coupe jusqu'à 120 m ² d'herbe)
Entrée du chargeur	120 VCA, 60 Hz, 75 W
Sortie du chargeur	26 VCC 2,2 A
Temps max. de charge	1 h 50 min
Largeur de coupe max.	35,6 cm
Vitesse de coupe	Lente – 4 500 tr/min Rapide – 6 000 tr/min
Longueur du fil de coupe	5 m
Diamètre de fil de coupe	2 mm
Longueur du manche en aluminium	1,8 m
Avancement de la bobine	Par frappe au sol
Poids net	3,8 kg

*Tension initiale à vide; grimpe à 24 volts une fois complètement chargée; la tension nominale sous charge typique est de 21,6 volts.

Déballage

Contenu de la caisse

- Coupe-gazon sans cordon
- Carter de protection
- (4) Vis de carter de protection
- Poignée auxiliaire
- Batterie au lithium-ion iON+ 24V
- Chargeur de batterie au lithium-ion iON+ 24V
- Manuel et carte d'enregistrement

1. Retirez soigneusement le coupe-gazon sans cordon de la caisse et inspectez-le pour vérifier que tous les éléments énumérés ci-dessus sont fournis.
2. Inspectez soigneusement le contenu afin de vous assurer qu'aucun élément ne s'est cassé ou n'a été endommagé pendant l'expédition. Si vous constatez que des pièces manquent ou sont endommagées, NE PAS retourner la caisse au magasin. Veuillez appeler le service à la clientèle Snow Joe® + Sun Joe® au 1-866-SNOWJOE (1-866-766-9563).

REMARQUE : ne jetez pas la caisse d'expédition et l'emballage tant que vous n'êtes pas prêt à utiliser le coupe-gazon sans cordon. L'emballage est fabriqué dans des matériaux recyclables. Éliminez ces matériaux de façon appropriée et conformément à la réglementation ou conservez l'emballage pour le remisage de longue durée de l'outil.

IMPORTANT! L'outil et son emballage ne sont pas des jouets. Ne laissez pas les enfants jouer avec les sacs en plastique,

les feuilles métalliques ou les petites pièces. Ces éléments peuvent être avalés et risquent de provoquer une suffocation!





Utilisation du bloc-piles

L'outil est alimenté par une batterie au lithium-ion. Le bloc-piles est entièrement scellé et ne nécessite aucun entretien.

Témoin de charge de batterie

Le bloc-piles est équipé d'un bouton-poussoir pour vérifier le niveau de charge. Appuyez simplement sur le bouton-poussoir pour lire le niveau de charge de la batterie à l'aide des témoins de charge :

- Les témoins de charge sont tous les trois allumés : le niveau de charge de batterie est élevé.
- Deux témoins de charge sont allumés : le niveau de charge de batterie diminue. Arrêtez dès que possible le coupe-gazon sans cordon.
- Un témoin de charge est allumé : la batterie est à plat. Arrêtez IMMÉDIATEMENT le coupe-gazon sans cordon et chargez la batterie. Sinon, la longévité de la batterie s'en trouvera considérablement réduite.

Témoins	Indications
	Bouton de niveau de charge
	La batterie est à 30 % de sa capacité et nécessite d'être chargée
	La batterie est à 60 % de sa capacité et nécessite d'être chargée bientôt
	La batterie est à charge complète

REMARQUE : si le bouton de niveau de charge ne semble pas fonctionner, insérez la batterie dans le chargeur et chargez au besoin.

REMARQUE : immédiatement après avoir utilisé le bloc-piles, le bouton de niveau de charge peut afficher une charge plus faible que si la vérification avait eu lieu quelques minutes plus tard. Les cellules de batterie « récupèrent » une partie de leur charge après une période de repos.

Utilisation du chargeur

⚠ AVERTISSEMENT! Charger uniquement un bloc-piles au lithium-ion 24 V Sun Joe® dans un chargeur de batterie au lithium-ion 24 V Sun Joe® compatible. Tout autre type de batteries peut être à l'origine de dommages corporels et matériels.

Pour réduire le risque de secousse électrique, ne laissez pas d'eau couler dans la fiche du chargeur c.a./c.c.

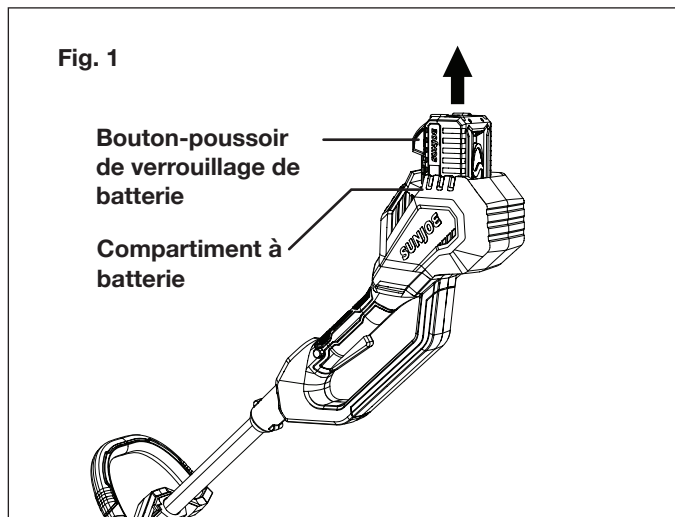
Quand charger la batterie au lithium-ion iON+ 24VBAT

REMARQUE : le bloc-piles au lithium-ion iON+ 24VBAT ne présente pas « d'effet mémoire » quand il est chargé après une simple décharge partielle. C'est pourquoi il n'est pas nécessaire d'épuiser le bloc-piles avant de le charger.

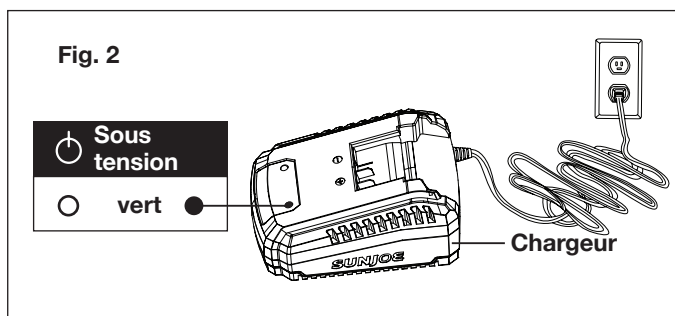
- Utilisez les témoins de charge de batterie pour déterminer quand charger votre bloc-piles au lithium-ion iON+ 24VBAT.
- Vous pouvez « compléter » la charge de votre bloc-piles avant de démarrer un gros travail ou après une longue journée d'utilisation.

Comment charger la batterie

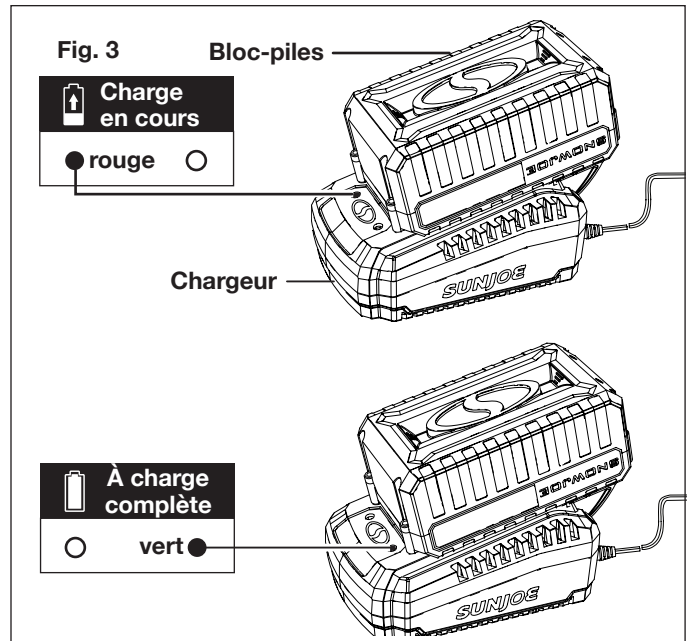
1. Pour retirer le bloc-piles de son compartiment, appuyez sur les boutons-poussoirs de verrouillage sur la batterie (Fig. 1).



2. Vérifiez que la tension de secteur est la même que celle marquée sur la plaque signalétique du chargeur de batterie. Insérez ensuite la fiche du chargeur dans une prise murale. Lorsque vous branchez le chargeur, le témoin vert en haut à droite s'allume et reste vert (Fig. 2).



3. Insérez le bloc-piles dans le chargeur en le faisant glisser jusqu'à ce qu'il se mette en place en se verrouillant. Lorsque vous insérez la batterie dans le chargeur, le voyant vert en haut à droite s'éteint et le voyant rouge en haut à gauche s'allume pour indiquer que la batterie se charge (Fig. 3).



4. Lorsque le témoin du chargeur passe au vert, la batterie est à charge complète (Fig. 3).

REMARQUE : un bloc-piles complètement déchargé dont la température interne est dans une plage normale se chargera complètement en 1 h 50 min (entre 0 et 45 °C).

5. Si les témoins de charge ne s'allument pas du tout, vérifiez que le bloc-piles repose bien dans son compartiment. Retirez le bloc-piles et réinsérez-le. Si le problème persiste, communiquez avec un revendeur Snow Joe® + Sun Joe® agréé ou appelez le service à la clientèle Snow Joe® + Sun Joe® au 1-866-SNOWJOE (1-866-766-9563) pour de l'aide.
6. Une fois que le bloc-piles est à charge complète, retirez-le du chargeur en appuyant sur les boutons-poussoirs de verrouillage et en le faisant glisser vers l'arrière pour le dégager du chargeur.

Assemblage

⚠ AVERTISSEMENT! Ne pas insérer la batterie tant que l'assemblage n'est pas terminé. Ne pas tenir compte de cet avertissement peut être à l'origine d'un démarrage accidentel et, potentiellement, de graves dommages corporels.

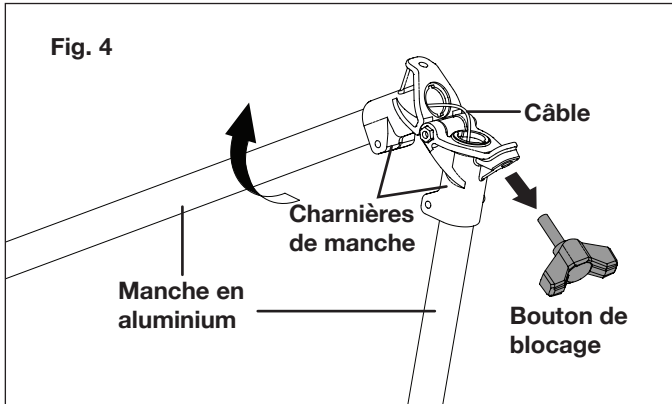
Dépliage du manche en aluminium

⚠ AVERTISSEMENT! Pour éviter de se pincer les mains ou les doigts, ne pas tenir le manche au niveau des charnières.

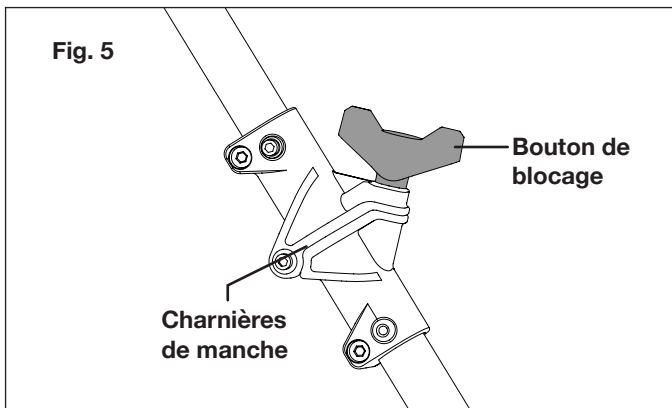
⚠ AVERTISSEMENT! Ne pas essayer de démarrer le coupe-gazon tant que le manche en aluminium n'est pas verrouillé.

1. Retirez le bloc-piles du coupe-gazon.
2. Placez le coupe-gazon sur le sol, dévissez le bouton de blocage des charnières du manche (Fig. 4).

- Dépliez soigneusement le manche en aluminium. Veillez à ce que le câble à l'intérieur du manche ne soit pas pincé lors de la fermeture de la charnière (Fig. 4).



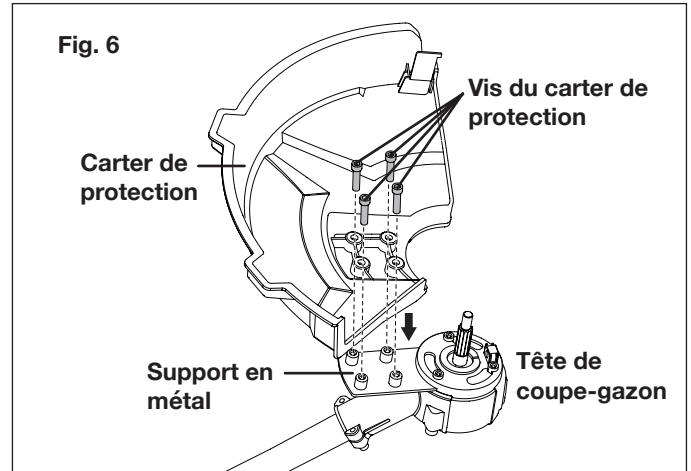
- Verrouillez le manche en aluminium à l'aide du bouton de blocage (Fig. 5).



Pose du carter de protection

⚠ AVERTISSEMENT! Le carter de protection doit être posé de façon appropriée. Ce carter offre à l'utilisateur et aux spectateurs une certaine protection contre tout ce qui est projeté par l'outil.

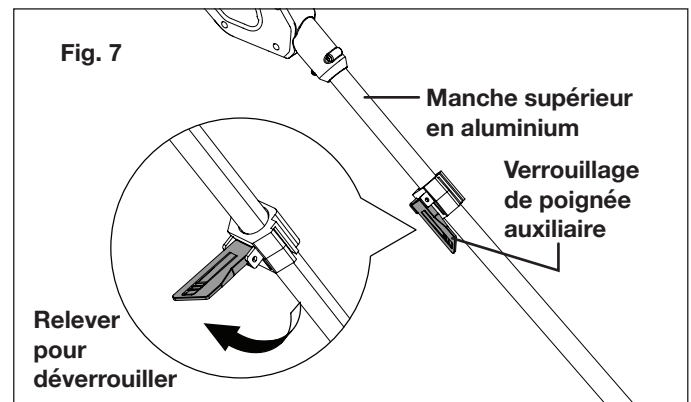
- Posez le coupe-gazon sur le sol, la tête tournée vers le haut.
- Placez le carter de protection sur le support en métal et alignez-le avec les quatre trous de fixation. Attachez le carter de protection au support en métal à l'aide des vis fournies (Fig. 6).



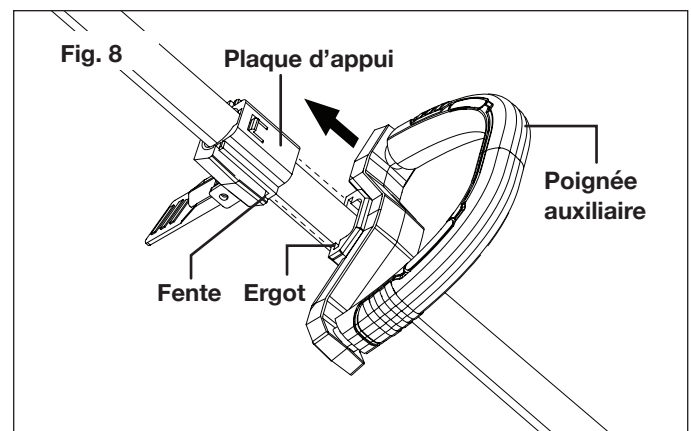
REMARQUE : n'utilisez jamais l'outil tant que le carter de protection n'est pas correctement posé.

Assemblage de la poignée auxiliaire

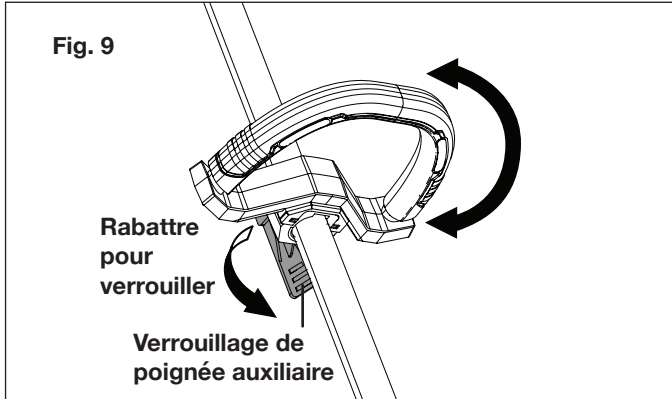
- Relevez le levier de verrouillage de la poignée auxiliaire pour le déverrouiller (Fig. 7).



- Faites glisser la poignée auxiliaire sur la plaque d'appui. Assurez-vous que les ergots des deux côtés de la poignée auxiliaire se glissent dans les fentes pratiquées dans la plaque d'appui. Poussez-la jusqu'à qu'elle se mette en place en s'encliquetant (Fig. 8).



3. Réglez la poignée auxiliaire jusqu'à ce que vous obteniez une position de travail confortable. Verrouillez la poignée auxiliaire en rabattant le levier de verrouillage (Fig. 9).



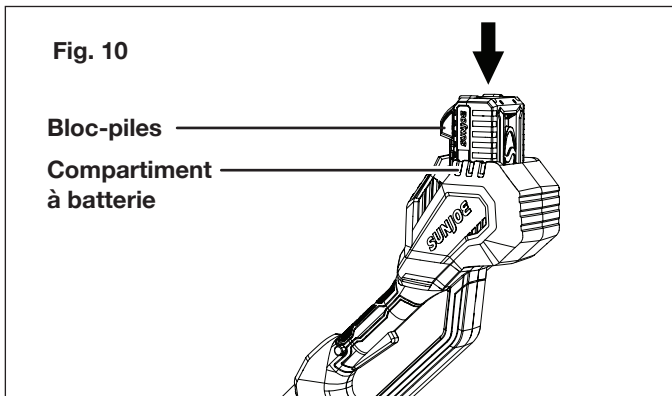
Utilisation

Démarrage et arrêt

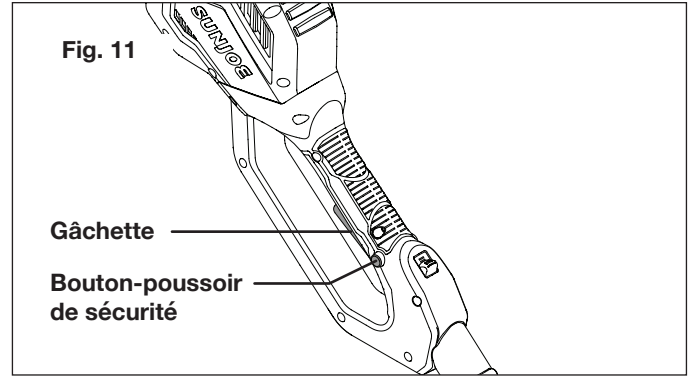
Avant de démarrer l'outil, assurez-vous qu'il n'est en contact avec aucun objet.

1. Faites glisser la batterie dans le compartiment à batterie jusqu'à ce qu'elle se verrouille en place en s'encliquetant (Fig. 10).

IMPORTANT! Avant de commencer à utiliser l'outil, assurez-vous que le bloc-piles est bien attaché à l'outil.



2. Pour mettre en marche le coupe-gazon, appuyez sur le bouton-poussoir de sécurité en le maintenant enfoncé à l'aide du pouce et pressez ensuite la gâchette marche/arrêt en utilisant les doigts. Une fois que l'outil est en marche, vous pouvez relâcher le bouton-poussoir de sécurité et commencer à travailler (Fig. 11).

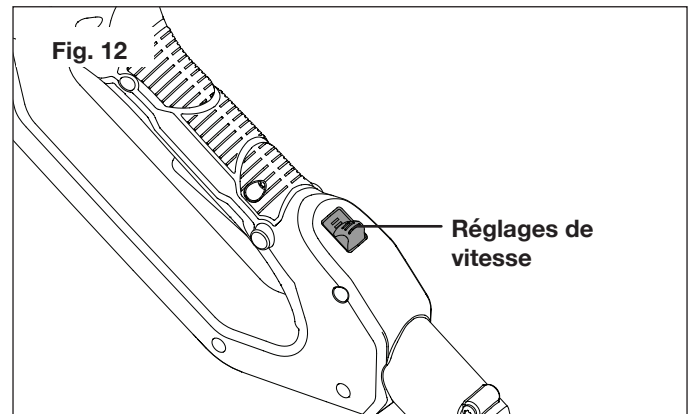


3. Pour arrêter l'outil, relâchez la gâchette marche/arrêt. Retirez le bloc-piles du compartiment à batterie (Fig. 11).

AVERTISSEMENT! Toujours retirer le bloc-piles du coupe-gazon pendant une pause ou après avoir fini le travail.

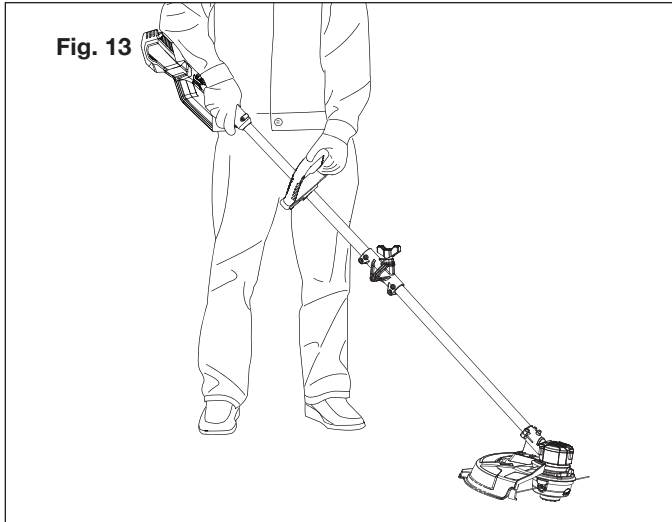
Réglages de vitesse

Ce coupe-gazon est équipé d'un réglage à deux vitesses. Pour changer la vitesse, faites glisser le bouton de réglage sur la poignée (Fig. 12).



Coupe de gazon

- Portez des gants antidérapants pour une meilleure prise en main et une protection supplémentaire. Tenez le coupe-gazon de la main droite en la plaçant sur la poignée arrière, le bras droit étant légèrement replié, et placez la main gauche sur la poignée auxiliaire avant, le bras gauche étant en extension complète. Le coupe-gazon doit être tenu en adoptant une position confortable, la poignée arrière étant à hauteur des hanches. La tête de l'outil doit être parallèle au sol et entrer facilement en contact avec l'herbe à couper, sans que l'utilisateur ait à se courber (Fig. 13).



- Pour couper l'herbe de façon optimale contre les murs, les clôtures et lorsque l'herbe est haute, déplacez lentement le coupe-gazon de façon que l'herbe soit coupée par l'extrémité du fil de nylon tournant à grande vitesse. Ne forcez pas le coupe-gazon. Si pour couper l'herbe, vous utilisez le fil sur une longueur supérieure à son extrémité, l'efficacité de l'outil sera réduite et le moteur pourra être en surcharge.
- Évitez de traîner le coupe-gazon et de mettre en contact avec le sol le moyeu de bobine de fil.
- Coupez uniquement l'herbe et les mauvaises herbes quand elles sont sèches.
- Coupez l'herbe haute de haut en bas. Ceci empêchera l'herbe de s'enrouler autour du fourreau de l'arbre et de la tête tournante et d'endommager l'outil par surchauffe.
- Si de l'herbe s'enroule autour de la tête rotative :
 - Arrêtez le coupe-gazon.
 - Retirez la batterie.
 - Retirez l'herbe.

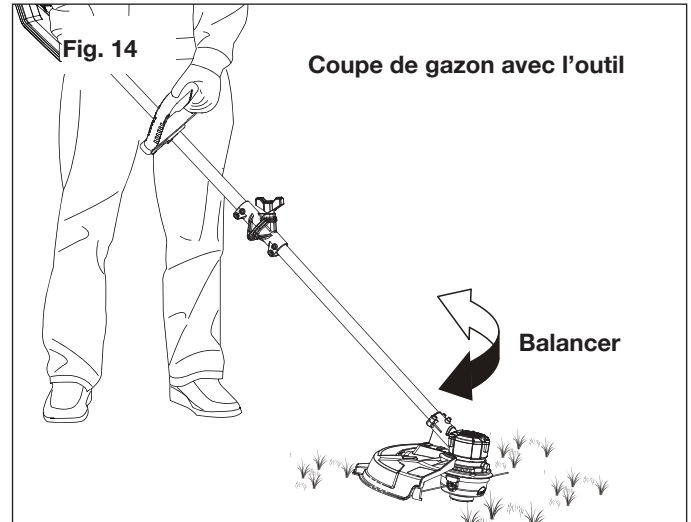
⚠ AVERTISSEMENT! Toujours maintenir le coupe-gazon éloigné du corps. Tout contact avec la tête de coupe du coupe-gazon pendant son utilisation peut entraîner de graves dommages corporels.

- La durée de vie du fil de nylon dépend des instructions suivantes pour une utilisation appropriée; elle dépend également de ce qui est coupé et de l'endroit où la coupe est pratiquée.

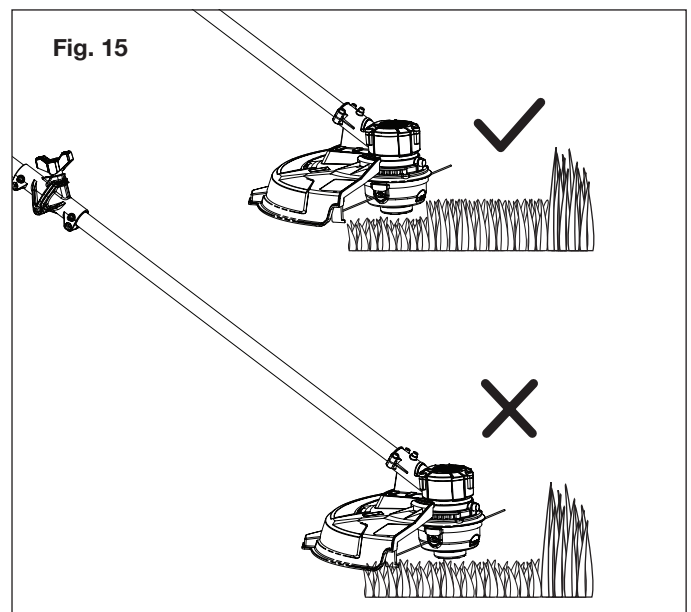
⚠ AVERTISSEMENT! Retirer de la zone de travail les pierres, les morceaux de bois épars et tous les autres corps étrangers. Le fil de coupe continue à tourner pendant quelques secondes après l'arrêt du coupe-gazon. Laisser le moteur s'arrêter complètement avant de reprendre la tâche en cours. Éviter d'allumer et d'éteindre le coupe-gazon à très brefs intervalles.

⚠ MISE EN GARDE! Portez toujours des lunettes de protection.

1. La tête de coupe doit être parallèle au sol.
2. Balancez lentement le coupe-gazon d'un côté à l'autre (Fig. 14).



3. Ne surchargez pas le coupe-gazon; procédez plutôt par petits « morceaux » de gazon, en travaillant de haut en bas. Ceci permettra à l'outil de tourner à grande vitesse et améliorera considérablement son efficacité (Fig. 15).



Avancement du fil de coupe

REMARQUE : votre coupe-gazon utilise un fil de nylon de 2 mm de diamètre pour couper rapidement et facilement l'herbe et les mauvaises herbes. Au fil du temps, le fil de nylon s'usera. La tête de l'outil permet à l'utilisateur de libérer plus de fil de coupe sans devoir arrêter le moteur. Lorsque le fil de coupe commence à s'effilocheur ou s'user, une longueur de fil supplémentaire peut être libérée en tapant la tête de l'outil sur le sol pendant que le moteur tourne.

REMARQUE : pour de meilleurs résultats, tapez la tête du coupe-gazon sur un sol nu ou dur. Maintenez toujours le fil de coupe à la bonne longueur. À mesure que le fil de coupe se raccourcit, il devient de plus en plus difficile de libérer une longueur supplémentaire.

⚠ AVERTISSEMENT! Ne pas utiliser le coupe-gazon dans un arbre, sur une échelle ou un échafaudage, car ceci est extrêmement dangereux.

Entretien

⚠ AVERTISSEMENT! S'assurer de retirer la batterie avant d'inspecter les composants de l'outil.

⚠ AVERTISSEMENT! Toujours porter des gants de protection pendant les tâches d'entretien. Ne pas effectuer d'entretien quand le moteur tourne ou est chaud.

- À la longue, le fil de coupe peut se dessécher. Pour maintenir votre fil en parfait état, rangez les bobines pré-enroulées de rechange ou le fil de coupe en vrac dans un sac plastique refermable dans lequel vous aurez ajouté une cuillerée d'eau.
- Pour nettoyer votre coupe-gazon, n'utilisez jamais d'eau ou de nettoyants chimiques. Essuyez-le à l'aide d'un chiffon propre.
- Les pièces en plastique peuvent se nettoyer au savon doux et à l'aide d'un chiffon humide.
- Rangez toujours votre coupe-gazon dans un endroit sec. Ne laissez pas de liquide pénétrer dedans.
- Maintenez propres les fentes de ventilation du moteur.

IMPORTANT! Pour assurer la sécurité et la fiabilité de cet outil électrique, les réparations, l'entretien et les réglages doivent être effectués uniquement en utilisant des pièces de rechange identiques. Communiquez avec votre revendeur Snow Joe® + Sun Joe® agréé ou appelez le service à la clientèle Snow Joe® + Sun Joe® au 1-866-SNOWJOE (1-866-766-9563) pour de l'aide.

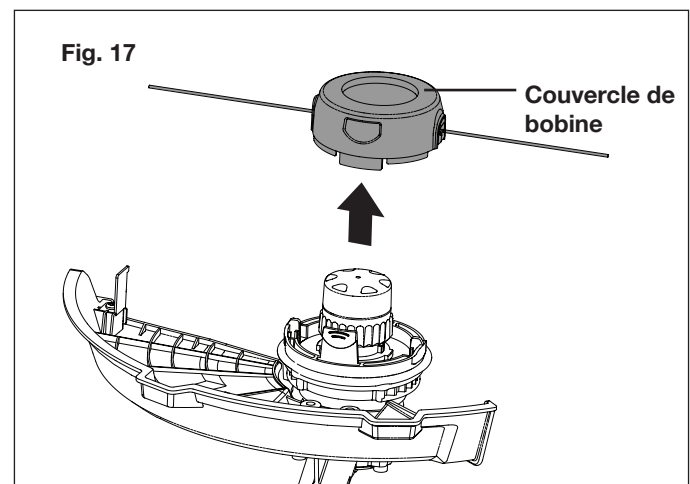
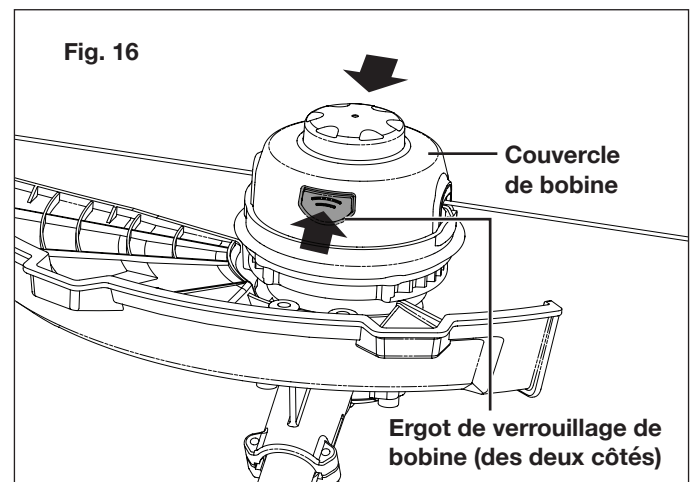
Remplacement de bobine et décoinçage ou démêlage du fil

⚠ AVERTISSEMENT! Avant de changer le fil de coupe, retirer la batterie de son compartiment.

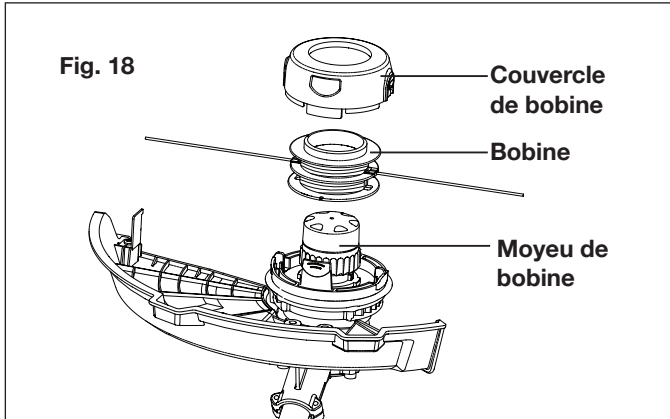
⚠ AVERTISSEMENT! Ne jamais utiliser de fil renforcé, métallique ou textile. Ce type de fil peut se casser et devenir un projectile dangereux.

REMARQUE : une bobine de rechange double fil de 5 m (modèle 24V-ST14B-SPOOL) est offerte pour utilisation avec le coupe-gazon 24V-ST14B. Pour acheter cet accessoire en ligne, veuillez vous rendre sur le site snowjoe.com. Utilisez toujours le fil de coupe en nylon recommandé dont le diamètre n'est pas supérieur à 2 mm. L'utilisation d'un fil de coupe de caractéristiques différentes peut faire surchauffer le coupe-gazon ou l'endommager.

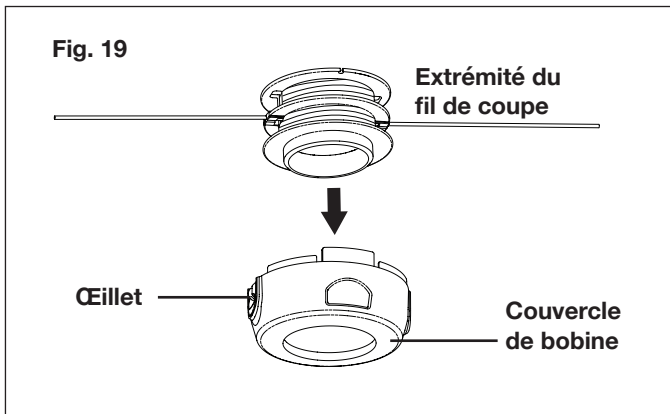
1. Appuyez ensemble sur les deux ergots de verrouillage sur le couvercle de bobine et retirez le couvercle et la bobine en tirant directement dessus (Fig. 16 et 17).



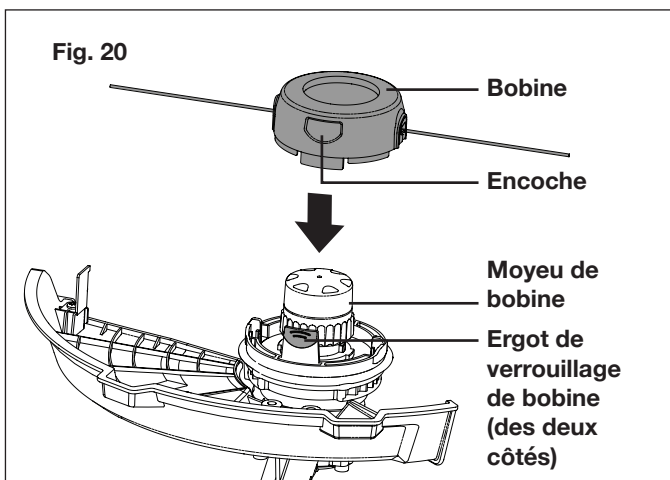
- Retirez la bobine du couvercle de bobine (Fig. 18) et nettoyez le fil de coupe restant, puis éliminez toute la saleté, les résidus d'herbe et tout ce qui coince le fil.



- Réinsérez la bobine dans le moyeu comme suit, ou insérez une bobine neuve préenroulée (Fig. 18).
- Insérez chaque extrémité du fil à travers leur œillet respectif de chaque côté du couvercle de bobine et appuyez doucement vers le bas sur la bobine (Fig. 19).



- Replacez la bobine sur le moyeu de bobine. Appuyez dessus jusqu'à ce que les ergots de déverrouillage s'encliquètent dans les encoches (Fig. 20).



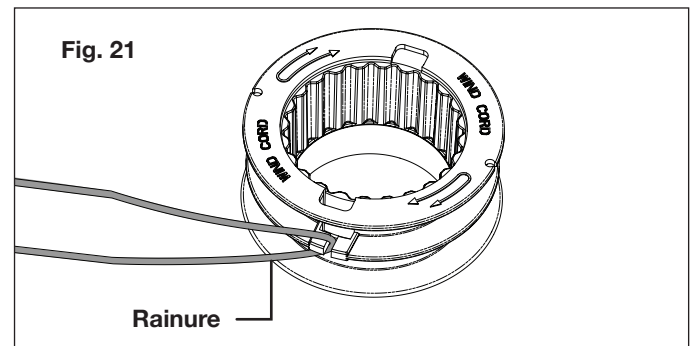
IMPORTANT : utilisez uniquement les pièces de rechange spécifiées pour cet outil.

Vous pouvez acheter une bobine préenroulée de rechange (modèle 24V-ST14B-SPOOL) et d'autres pièces de rechange d'origine en vous rendant sur notre site sunjoe.com ou en appelant le service à la clientèle au numéro sans frais 1-866-SNOWJOE (1-866-766-9563). L'utilisation de pièces qui ne répondent pas aux spécifications d'origine de l'outil peut être la cause d'un rendement anormal du coupe-gazon, peut compromettre la sécurité de son utilisateur et annulera la garantie du fabricant.

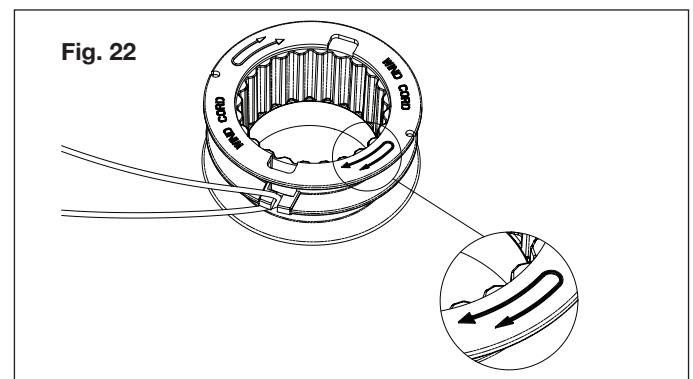
Enroulement du fil

REMARQUE : si vous souhaitez enrouler vous-même le fil, les instructions sont fournies ci-dessous. Il n'est toutefois PAS recommandé d'enrouler soi-même le fil, car si le fil n'est pas correctement enroulé, le système d'avancement par frappe au sol du coupe-gazon peut mal fonctionner. Pour cette raison, il est vivement demandé aux utilisateurs d'acheter une bobine préenroulée.

- Arrêtez l'outil et retirez la batterie. Assurez-vous que la bobine a complètement cessé de tourner.
- Pour retirer la bobine du moyeu du coupe-gazon, suivez les étapes 1 et 2 de la section « Remplacement de bobine et décoincage ou démêlage du fil » commençant en page 53.
- Recherchez le milieu d'une nouvelle section de fil de coupe et insérez le milieu du fil dans la rainure au centre de la bobine (Fig. 21).



- Enroulez les deux extrémités dans la rainure en exerçant une légère tension et en suivant le sens des flèches (Fig. 22).

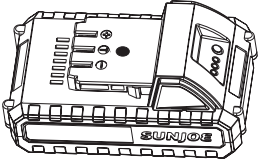
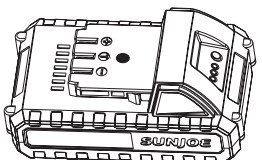
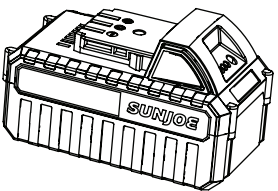
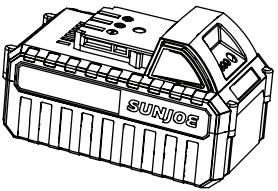


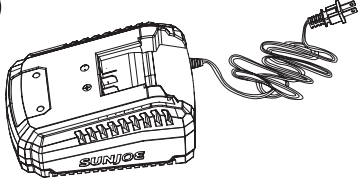
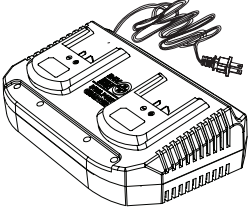
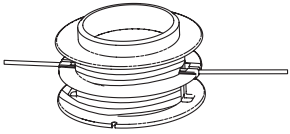
Dépannage

Problèmes	Cause possible	Solution possible
<p>Le moteur ne tourne pas ou l'outil tourne lentement.</p>	<ul style="list-style-type: none"> • La batterie n'est pas insérée ou elle est épuisée. • Le boîtier de bobine ne peut pas tourner librement. • Vérifiez si le fil de coupe ne ressort pas. 	<ul style="list-style-type: none"> • Assurez-vous que la batterie est suffisamment chargée et bien insérée. • Retirez la bobine et nettoyez les encoches; retirez avec précautions l'herbe, les mauvaises herbes ou les autres débris. • Coupez le fil de la bobine de telle façon qu'il atteigne juste la lame de coupe du fil. • Communiquez avec un revendeur Snow Joe® + Sun Joe® agréé ou appelez le service à la clientèle Snow Joe® + Sun Joe® au 1-866-SNOWJOE (1-866-766-9563) si le coupe-gazon ne démarre pas après avoir effectué ces vérifications.
<p>Le fil n'a pas réussi à se couper.</p>	<ul style="list-style-type: none"> • Le coupe-fil dans le carter de protection est recouvert, endommagé ou absent. • Le fil ressort du carter de protection. 	<ul style="list-style-type: none"> • Communiquez avec un revendeur Snow Joe® + Sun Joe® agréé ou appelez le service à la clientèle Snow Joe® + Sun Joe® au 1-866-SNOWJOE (1-866-766-9563). • Enroulez ou coupez le fil pour qu'il atteigne juste le coupe-fil.

Accessoires en option

⚠️ AVERTISSEMENT! TOUJOURS utiliser des pièces de rechange et des accessoires Snow Joe® + Sun Joe® homologués. NE JAMAIS utiliser des pièces ou des accessoires qui ne sont pas destinés à être utilisés avec ce coupe-gazon sans cordon. Communiquez avec Snow Joe® + Sun Joe® si vous n'êtes pas sûr que l'utilisation d'une pièce de rechange ou d'un accessoire particulier avec votre coupe-gazon sans cordon soit sans danger. L'utilisation de tout autre accessoire ou de toute autre pièce détachée peut être dangereuse et pourrait provoquer des dommages corporels ou des détériorations d'origine mécanique.

Accessoires	Description	Modèle
<p>①</p> 	<p>Batterie au lithium-ion 2,0 Ah iON+ 24V Autonomie max. : 8 min (coupe jusqu'à 60 m² d'herbe)</p>	<p>24VBAT-LTE</p>
<p>②</p> 	<p>Batterie au lithium-ion 2,5 Ah iON+ 24V Autonomie max. : 10 min (coupe jusqu'à 74 m² d'herbe)</p>	<p>24VBAT-LT</p>
<p>③</p> 	<p>Batterie au lithium-ion 4,0 Ah iON+ 24V Autonomie max. : 16 min (coupe jusqu'à 120 m² d'herbe)</p>	<p>24VBAT</p>
<p>④</p> 	<p>Batterie au lithium-ion 5,0 Ah iON+ 24V Autonomie max. : 22 min (coupe jusqu'à 158 m² d'herbe)</p>	<p>24VBAT-XR</p>

Accessoires	Description	Modèle
<p>7</p> 	<p>Chargeur rapide de batterie au lithium-ion iON+ 24V</p>	<p>24VCHRG-QC</p>
<p>8</p> 	<p>Double chargeur de batteries au lithium-ion iON+ 24V</p>	<p>24VCHRG-DPC</p>
<p>9</p> 	<p>Bobine de rechange double fil pour coupe-gazon</p>	<p>24V-ST14B-SPOOL</p>

REMARQUE : les accessoires sont sous réserve de changements sans que Snow Joe® + Sun Joe® soit pour autant tenue de donner un préavis desdits changements. Les accessoires peuvent être commandés en ligne sur le site snowjoe.com ou par téléphone en appelant le service à la clientèle Snow Joe® + Sun Joe® au 1-866-SNOWJOE (1-866-766-9563).



LA PROMESSE DE SNOW JOE® + SUN JOE® À SES CLIENTS

Vous êtes notre client et Snow Joe, LLC (« Snow Joe ») **SE MET EN QUATRE** pour vous servir. Nous nous efforçons de vous rendre l'utilisation de nos produits aussi plaisante que possible. Malheureusement, il peut arriver qu'un produit Snow Joe®, Sun Joe® ou Aqua Joe (« Produit ») ne fonctionne pas ou se casse dans des conditions d'utilisation normales. Nous pensons qu'il est important que vous sachiez ce que vous pouvez attendre de nous. C'est pourquoi nous avons une garantie limitée (« Garantie ») pour nos Produits.

NOTRE GARANTIE :

Snow Joe déclare et garantit que les Produits neufs, d'origine, électriques ou non électriques sont exempts de vices de matière ou de fabrication et, lorsqu'ils font l'objet d'une utilisation résidentielle et ménagère ordinaire, les garantit pendant une période de deux ans à compter de la date d'achat au détail par l'acheteur primitif auprès de Snow Joe ou d'un des revendeurs agréés de Snow Joe, preuve d'achat à l'appui. Étant donné que Snow Joe ne peut pas contrôler la qualité de ses Produits vendus par des revendeurs non agréés, sauf stipulation contraire de la loi, la présente Garantie ne couvre pas les Produits achetés auprès de vendeurs non agréés. Si votre Produit ne fonctionne pas ou si une pièce spécifique couverte par les modalités de la présente Garantie fait l'objet d'un problème quelconque, Snow Joe choisira (1) de vous envoyer une pièce de rechange gratuite, (2) de remplacer le Produit par un produit neuf ou comparable, gratuitement, ou (3) de réparer le Produit. Génial, n'est-ce pas?

La présente Garantie vous donne des droits judiciaires spécifiques, et vous pouvez également avoir d'autres droits qui peuvent varier d'une province ou d'un territoire à l'autre.

ENREGISTREMENT DU PRODUIT :

Snow Joe vous recommande vivement d'enregistrer votre Produit. Vous pouvez l'enregistrer en ligne sur le site snowjoe.com/register, ou en imprimant et en envoyant par courrier une carte d'enregistrement offerte en ligne sur notre site Web, ou par téléphone en appelant notre Service à la clientèle au **1-866-SNOWJOE (1-866-766-9563)**, ou encore en nous envoyant un courriel à l'adresse help@snowjoe.com. Le fait de ne pas enregistrer l'achat de votre Produit n'a aucune conséquence sur vos droits concernant la garantie. Toutefois, l'enregistrement de votre Produit permettra à Snow Joe de mieux répondre au moindre besoin que vous pourriez avoir en matière de service à la clientèle.

QUI PEUT REVENDIQUER LA COUVERTURE DE LA GARANTIE?

La présente Garantie est étendue par Snow Joe à l'acheteur et propriétaire primitif du Produit.

QU'EST-CE QUI N'EST PAS COUVERT?

La présente Garantie ne s'applique pas si le Produit a été utilisé commercialement, pour des travaux non résidentiels ou s'il fait l'objet d'une location. La présente Garantie ne s'applique pas non plus si le Produit a été acheté auprès d'un revendeur non agréé. La présente garantie ne couvre pas non plus les changements cosmétiques qui n'affectent pas le rendement. Les pièces d'usure comme les courroies, les tarières, les chaînes et les dents ne sont pas couvertes au titre de la présente Garantie et peuvent être achetées en ligne sur le site snowjoe.com ou en appelant le **1-866-SNOWJOE (1-866-766-9563)**.





sunjoe.com