



# CORDLESS LAWN MOWER

28-VOLT | 5.0 Ah | 14-INCH

## OPERATOR'S MANUAL

A Division of Snow Joe®, LLC

Model MJ401C-XR

Form No. SJ-MJ401C-XR-880E-MR5

## IMPORTANT! Safety Instructions

### All Operators Must Read These Instructions Before Use

Always follow these safety guidelines. Failure to do so may result in serious bodily injury or death.

### General Safety WARNINGS!

When using this cordless lawn mower, basic safety precautions should always be followed to reduce the risk of fire, electric shock and personal injury.

These precautions include:

**⚠️ WARNING!** Do not operate without the entire grass catcher, discharge guard, rear guard or other safety protective devices in place and in proper working order.

**⚠️ WARNING!** The use of any other accessory or attachment might increase the risk of injury.

**⚠️ WARNING!** To reduce the risk of injury, inspect the catcher assembly frequently and replace with recommended replacement if there are signs of wear or deterioration.

Before using the mower, take the time to familiarize yourself with the controls, especially how to stop the mower in an emergency. The only individuals who should use the mower are those who have a thorough understanding of the instructions and who know how to operate the machine. Children should never be allowed access to the mower.

Retain this manual for future reference and reread it at the start of each mowing season.

**⚠️ WARNING!** Contact with moving parts may cause entanglement, dismemberment or other serious bodily injury. Always keep body parts (i.e. hands, feet) a safe distance away from moving parts. Ensure all covers and guards are securely in place before use.

Hot surfaces (i.e. the motor) may ignite flammable or combustible items and cause a fire or explosion, which can result in serious bodily injury. Keep the mower a safe distance away from flammable or combustible items until surfaces that are hot have completely cooled. Do not store the mower near flammable or combustible items.

A damaged blade or worn blade nut may break off the mower assembly and cause serious injury. Replace the damaged blade or blade nut before using the mower.

- 1. Avoid dangerous conditions** – Do not use the mower in the rain or when the grass is damp or wet.
- 2. Keep children, bystanders and pets away** – Always keep children and spectators a safe distance away from the mower during operation and as the machine cools.
- 3. Dress properly** – Always wear personal safety gear (i.e. glasses, rubber gloves, protective footwear and dust masks) and proper clothing when using the mower. Loose clothing, long hair or jewelry may get caught in the moving parts.
- 4. Use the right appliance** – Do not use the lawn mower for any applications other than those for which it was intended.
- 5. Do not force the lawn mower** – It will perform better with less likelihood of personal or mechanical injury if it is used at the rate for which it was designed.
- 6. Do not overreach** – Keep proper footing and balance at all times.
- 7. Stay alert** – Always be alert and watch what you are doing. Use common sense. Do not operate the lawn mower when you are tired or under the influence of alcohol or drugs.
- 8. Disconnect the lawn mower** – Turn OFF and remove safety key when the mower is not in use, before servicing it, when changing accessories and when performing any other maintenance task.
- 9. Store idle lawn mower indoors** – When not in use, the lawn mower should be stored indoors in a dry, locked place out of the reach of children.
- 10. Maintain the lawn mower with care** – Keep cutting edges sharp and clean for best and safest performance.
- 11. Use personal protective equipment. Always wear eye protection** – Protective equipment such as safety glasses, a dusk mask, non-skid safety shoes, a hard hat, and hearing protection, when used for appropriate conditions, will reduce the possibility of personal injuries.
- 12. Avoid unintentional starting** – Ensure the switch is in the OFF position before insert the safety key, or before picking up or carrying the tool. Carrying power tools with your finger on the switch or charging power tools with the switch ON can lead to accidents.
- 13. Remove any adjusting key or wrench before starting the power tool** – A wrench or a key left attached to a rotating part of the power tool may result in personal injury.

14. **Keep cutting blades sharp and clean –**  
Properly maintained cutting blades with sharp edges are less likely to bind and are easier to control.
15. **Keep all parts of the body away from the cutting blade**  
– Do not remove cut material or hold material to be cut when blades are moving. Make sure the switch is off when clearing jammed material. A moment of inattention while operating the product may result in serious personal injury.
16. If the lawn mower strikes a foreign object, follow these steps:
  - i) Stop the lawn mower by releasing the start/stop switch bar lever.
  - ii) Remove the safety key.
  - iii) Inspect for damage.
  - iv) Repair any damage before restarting and operating the lawn mower.
17. Only use identical replacement blades and other genuine parts.
18. Keep guards in place and in proper working order.

## Electrical Safety

1. If the battery charger cable is damaged, please call the Snow Joe® + Sun Joe® customer service center at 1-866-SNOWJOE (1-866-766-9563).
2. If charging the power tool in a damp location is unavoidable, use a residual current device (RCD) protected power supply. The using of an RCD reduces the risk of electric shock.
3. Avoid body contact with earthed or grounded surfaces such as pipes, radiators, ranges and refrigerators. There is an increased risk of electric shock if your body is earthed or grounded.
4. **Do not expose power tools to rain or wet conditions.**  
Water entering a power tool will increase the risk of electric shock.
5. **Do not abuse the charging cord.** Never use the cord for carrying, pulling or unplugging the charger. Keep cord away from heat, oil, sharp edges or moving parts. Damaged or entangled cords increase the risk of electric shock.
6. Battery charger is for indoor use only. Do not charge lawn mower in rain ,or in wet locations.

## Battery Safety Warnings

This manual contains important safety and operating instructions for your battery and charger.

1. Before using the charging, thoroughly read all instructions and cautionary markings on the charger, the battery, and the unit.

**⚠ WARNING!** If the lawn mower housing is cracked or damaged, do not insert the charging adapter into the power tool or plug the AC adapter into the mains outlet. There is a danger of electric shock or electrocution.

2. This charger is **ONLY** intended to charge this rechargeable battery. Any other use poses a risk of fire, electric shock or electrocution.
3. Do not place any object on top of the charger or place the charger on a soft surface that may result in excessive internal heat. Keep the charger away from any heat source.
4. To reduce the risk of damaging the electric plug and cord, pull the plug, not the cord, when disconnecting the charger from the electric outlet.
5. Make sure the battery charging cable is located in a safe place so that it will not be stepped on, tripped over or otherwise subjected to damage or stress.
6. An extension cord should not be used unless absolutely necessary. Using an improper extension cord poses a risk of fire, electric shock or electrocution.
7. Do not operate the charger if it has received a sharp blow or has become damaged in any way. Contact the Snow Joe® + Sun Joe® customer service center at 1-866-SNOWJOE (1-866-766-9563) before continuing use.
8. Do not disassemble the charger. If the charger requires service or repair, contact an authorized Snow Joe® + Sun Joe® dealer or call the Snow Joe® + Sun Joe® customer service center at 1-866-SNOWJOE (1-866-766-9563). Incorrect reassembly poses a risk of electric shock, electrocution or fire.
9. To reduce the risk of electric shock, unplug the charger from the outlet before cleaning the unit.
10. Never attempt to connect two (2) chargers together.

11. DO NOT store or use the tool and battery pack in locations where the temperature may reach or exceed 104 °F (40 °C). Dangerous storing locations include outdoor sheds or metal buildings in the summer.
12. The charger is designed to operate on standard household electrical power (120 - 240V AC). Do not attempt to use it with any other voltage!
 

**NOTE:** The integrated battery is not fully charged out of the carton. Read the safety instructions and then follow the charging notes and procedures.
13. The longest life and best performance can be obtained if the integrated battery is charged when the air temperature is between 64.4°F – 75.2°F (18°C – 24°C). Do not charge the battery pack when the air temperature falls below 50°F (10°C) or above 104°F (40°C). Following these safety measures will prevent damage to the battery pack.
14. Do not incinerate the integrated battery even if it is seriously damaged or completely worn out. The battery can explode in a fire.

## IMPORTANT!

### Safety Instructions for Walk-Behind Mowers

#### General Operation

- Read, understand and follow all instructions on the machine and in the manual(s) before starting.
  - Do not put hands or feet near or under the machine. Always stay clear of the discharge opening.
  - Only responsible adults who are familiar with the instructions should be allowed to operate this machine.
  - Clear the mowing area of foreign objects such as rocks, wire, toys and other miscellaneous articles, which could be picked up and thrown by the blade. Stay behind the handle when the engine (motor) is running.
  - Make sure that the mowing area is clear of bystanders before starting the machine. Stop the machine if anyone enters the area.
  - Do not operate the machine barefooted or while wearing sandals. Always wear substantial footwear.
  - Always look down and behind before and while moving backward with the mower.
  - Never direct discharged material toward anyone. Avoid discharging material against a wall or other obstruction.
  - Do not operate the machine without the entire grass catcher, discharge guard, rear guard or other safety protective devices in place and in proper working order.
  - Never leave a running machine unattended.
  - Stop the engine (motor) and wait until the blade comes to a complete stop before cleaning the machine, removing the grass catcher or unclogging the discharge guard.
- Operate the machine only in daylight or in good artificial light.
  - Do not operate the machine when you are tired or under the influence of alcohol or drugs.
  - Never operate the mower in wet grass. Always be sure of your footing; walk, never run, with the mower.
  - If the machine should start to vibrate abnormally, stop the engine (motor) and immediately check the machine to ascertain the cause. Vibration is generally a signal of trouble.
  - Keep blades sharp.
  - Keep hands and feet away from the cutting area.
  - Always wear eye protection when operating the machine.
  - Objects struck by the lawn mower blade can cause severe injuries. The mowing area should always be carefully examined and cleared of all objects prior to each mowing.

#### Slope Operation

Slopes are major factors related to slip and fall accidents, which can result in severe injury. Operation on all slopes requires extra caution. If you feel uneasy on a slope, do not mow it.

- Mow across the face of slopes; never mow slopes following an up and down traverse. Exercise extreme caution when changing direction on a slope.
- Watch for holes, ruts, bumps, rocks or other hidden objects. These may cause an unexpected slip or fall.
- Do not mow on wet grass or excessively steep slopes. Poor footing could cause a slip and fall accident.
- Do not mow near drop offs, ditches or embankments. You could lose your footing or balance.

#### Children

Tragic accidents can occur if the operator is not alert to the presence of children. Children are often attracted to the machine and the mowing activity. Never assume that children will remain where you last saw them.



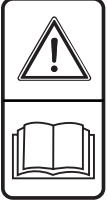









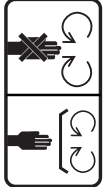


- Keep children out of the mowing area and under the watchful care of a responsible adult other than the operator.
- Stay alert and turn the mower off if a child enters the area.
- Never let children operate the machine.
- Use extra care when approaching blind corners, shrubs, trees or other objects that may block your view of a child.

## Service

- Stop the machine and disconnect the safety key before servicing, cleaning, or removing grass from the lawn mower.
- Keep all nuts and bolts tight.
- Never tamper with safety devices. Regularly check to ensure these devices are in place and in proper working order.
- Keep the mower free from grass, leaves or other debris buildup.
- If you strike a foreign object, stop and inspect the machine. Repair, if necessary, before restarting.
- Never make any adjustments or repairs with the engine (motor) running. Always plug out the safety key before adjusting, cleaning or repairing.
- Check the grass bag components and the discharge guard frequently and replace with manufacturer's recommended parts when necessary.
- Mower blades are sharp. Wrap the blade or wear gloves, and use extra caution when servicing them.
- Maintain or replace safety and instruction labels, as necessary.
- If your power tool requires service, contact an authorized Snow Joe® + Sun Joe® dealer or call the Snow Joe® + Sun Joe® customer service center at 1-866-SNOWJOE (1-866-766-9563). Only identical replacement parts should be utilized for repairs. This will ensure that the safety of the power tool is maintained.
- If the battery charger cable is damaged, it must be immediately replaced to avoid a hazard. Contact the Snow Joe® + Sun Joe® customer service center at 1-866-SNOWJOE (1-866-766-9563) for assistance.

# Safety Symbols

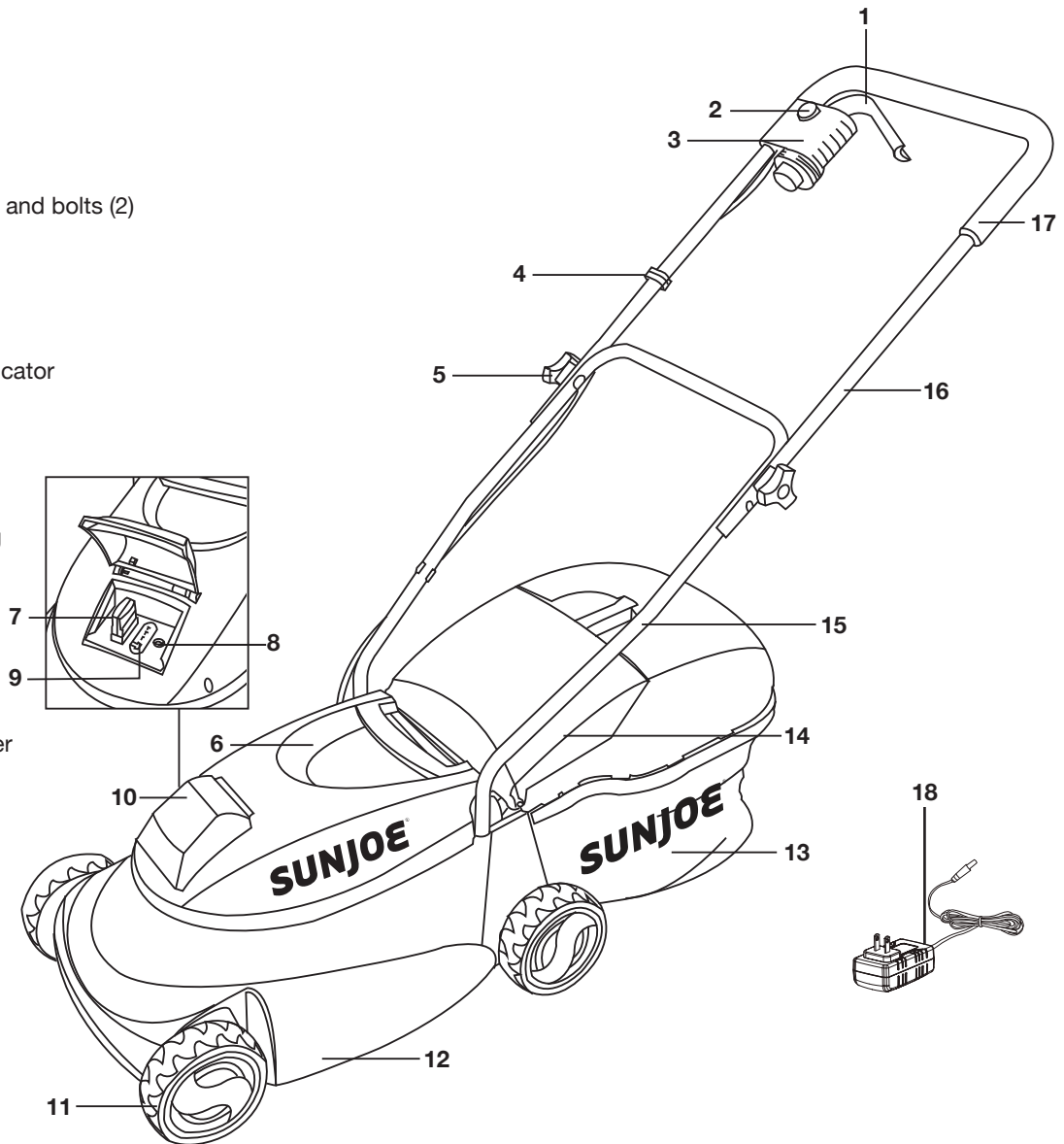
The following table depicts and describes safety symbols that may appear on this product. Read, understand and follow all instructions on the machine before attempting to assemble and operate.

Symbols	Descriptions	Symbols	Descriptions
	<b>DANGER!</b> Rotating blades. Keep hands and feet away.		Keep bystanders and children a safe distance away.
	Safety Alert. Caution. To reduce the risk of injury, user must read instruction manual.		Wear eye and hearing protection. For protection against injury, wear ear defenders and safety goggles.
	<b>WARNING!</b> Do not expose or operate the unit in rain or wet conditions. Keep dry.		Wear protective gloves and non-slip footwear when using the machine and handling debris.
	Slip on slope hazard – Use extra caution when mowing on slopes to prevent slip and fall accidents.		Severing of toes or fingers by rotary mower blade. Keep hands and feet away
	Thrown objects and rotating blade can cause severe injury.		Keep bystanders a safe distance away from the work area.
	Blades continue to rotate after machine is switched off.		<b>WARNING!</b> Always turn the machine OFF and remove the safety key before conducting inspection, cleaning and maintenance.
	Rotating blades, keep hands and feet away from the opening while the machine is running.		Look behind when backing up with the lawn mower.
	Indoor use only. Only use battery charger indoors.		

# Know Your Cordless Lawn Mower

Read the owner's manual and safety instructions carefully before operating the mower. Compare the illustration below to the mower in order to become familiar with the location of the various controls and adjustments. Save this manual for future reference.

1. Switch lever
2. Safety lock button
3. Switch box
4. Cable clip (2)
5. Upper handle knobs and bolts (2)
6. Top cover
7. Safety key
8. Charge socket
9. Battery capacity indicator
10. Battery gauge cover
11. Wheels (4)
12. Mower deck
13. Grass collection bag
14. Ejector flap
15. Lower handle
16. Upper handle
17. Hand grip
18. iCHRG28-AC charger



## Technical Data

Motor.....	600W Brushless	Cutting Width .....	14 in. (35.6 cm)
Battery Voltage Max* .....	28V D.C.	Cutting Height .....	1.18 in. to 2.52 in. (30 mm to 64 mm)
Battery Capacity.....	5.0 Ah	Grass Bag Capacity .....	10.6 gal (40 l)
Charger Input.....	100 – 240V AC 50-60 Hz 0.8A	Blade Material .....	Steel
Charger Output.....	29V DC 0.9A	Wheel Size.....	5.5 in. (14 cm)
Battery Charge Time Max.....	5.5 hours	Net Weight.....	23.1 lbs (10.5 kg)
No Load Speed .....	3000 rpm		

\*Initial no-load voltage, when fully charged, peaks at 29.4 volts; nominal voltage under typical load is 28 volts.

# Unpacking

## Carton Contents

- Cordless lawn mower
- Grass collection bag
- Grass collection bag support rod
- Upper handle
- Upper handle knob and bolt assembly (2)
- Lower handle
- Lower handle screws (2)
- Spanner
- Screws (2)
- Cable clips (2)
- Battery charger
- Manual with registration card

1. Carefully remove the lawn mower and check to see that all of the above items are supplied.
2. Inspect the product carefully to make sure no breakage or damage occurred during shipping. If you find damaged or missing parts, DO NOT return the unit to the store. Please call the Snow Joe® + Sun Joe® customer service department at 1-866-SNOWJOE (1-866-766-9563).

**NOTE:** Do not discard the shipping carton and packaging material until you are ready to use your new cordless lawn mower. The packaging is made of recyclable materials. Properly dispose of these materials in accordance with local regulations.

## Assembly

**⚠ WARNING!** Do not insert the safety key until assembly is complete. Failure to comply could result in accidental starting and serious personal injury.

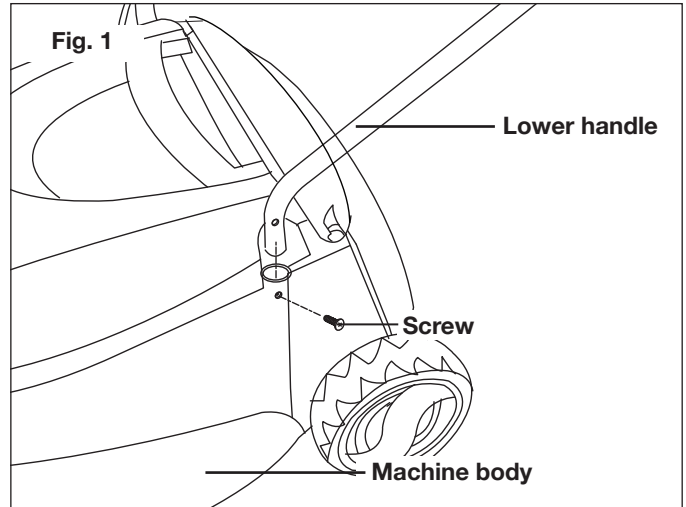
**⚠ WARNING!** Before performing any maintenance, make sure the key is removed from the unit. Failure to heed this warning could result in serious personal injury.

**⚠ WARNING!** The product must be fully assembled before operation. Do not use a product that is only partially assembled or assembled with damaged parts.

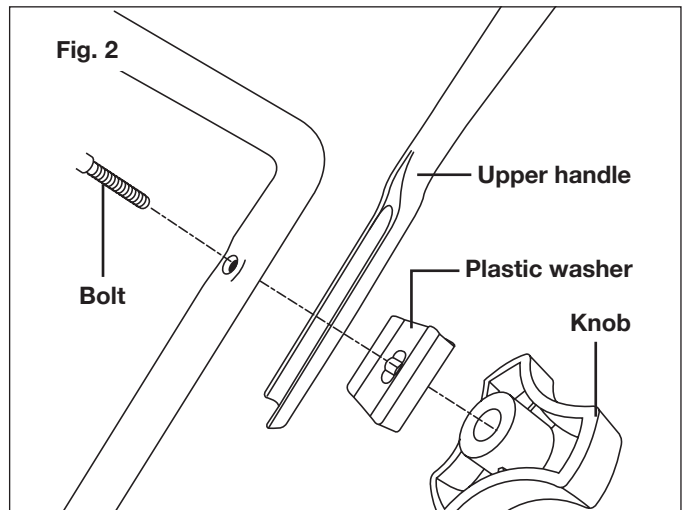
**NOTE:** Before using the mower, follow these instructions to assemble the handle and grass bag.

## Handle Assembly

1. Fit the lower handle into the two holes in the machine body and fasten the handle on both sides with the screws provided (Fig. 1).

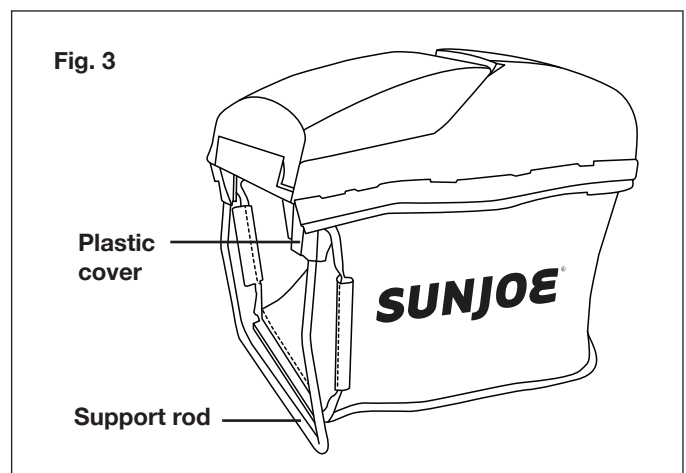


2. Join the upper handle to the lower handle using the knob, plastic washer and bolt provided (Fig. 2). Repeat on the opposite side.

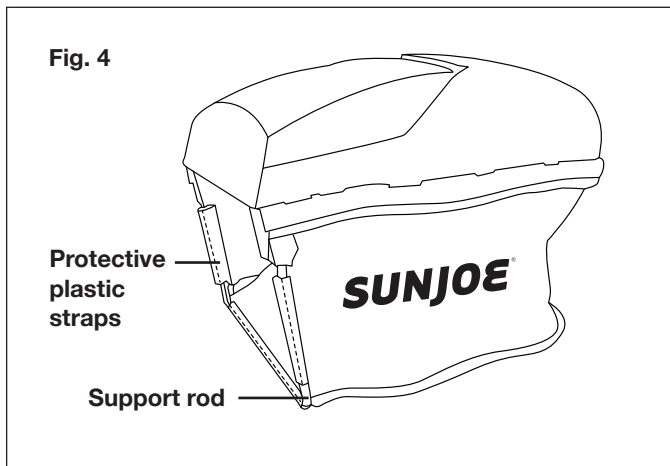


## Grass Collection Bag Assembly + Fitting

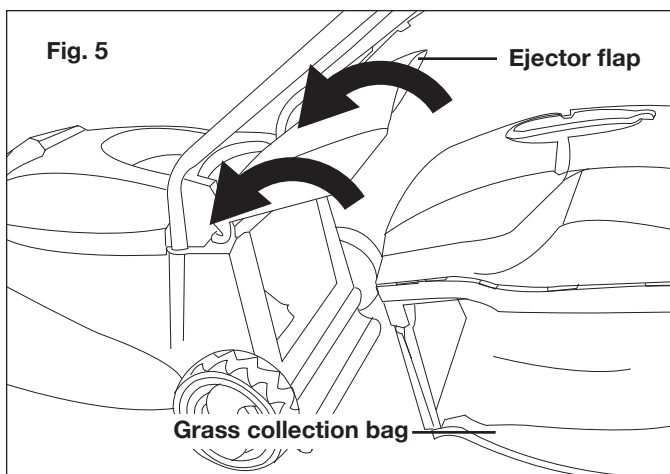
1. Fit the support rod into the holes in the plastic cover. The bend of the support rod should face the rear of the machine (Fig. 3).



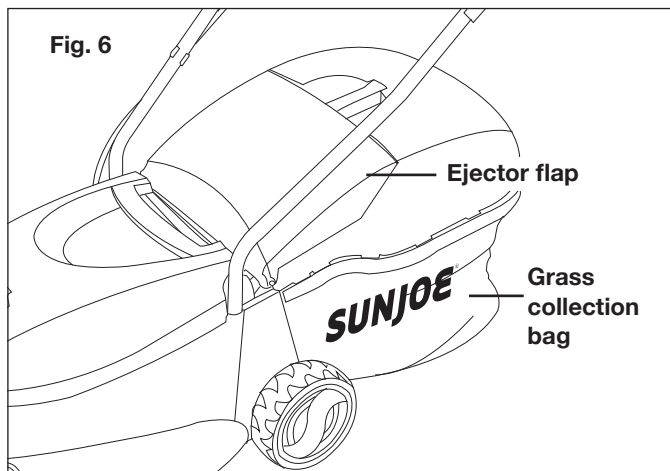
- Place the protective plastic straps onto the support rod (Fig. 4).



- Lift the ejector flap with one hand. With the other hand, hold the grass collection bag by the handle and hook it in from above (Fig. 5).



- Release the ejector flap to secure the grass collection bag in position (Fig. 6).



## Before Using

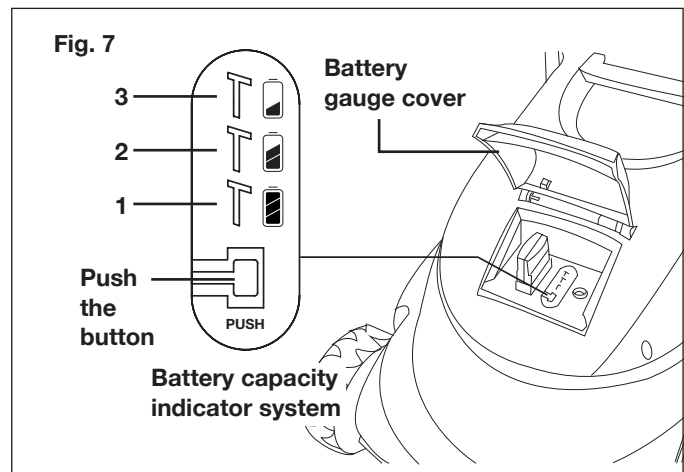
### Charging Procedure

The battery charger supplied matches the lithium-ion battery installed in the tool. Do not use other battery chargers.

The lithium-ion battery is protected against deep discharging. When the battery is empty, a protective circuit will automatically switch OFF the machine.

Charge the battery for up to 5.5 hours then use it until it runs down (i.e. the tools starts to operate slowly). Recharge for up to 5.5 hours again before resuming operation.

The mower is equipped with a battery capacity indicator system under the battery gauge cover. To check the battery capacity, lift up the battery gauge cover and push the button (Fig. 7). The charge indicator system indicates the battery status of the lawn mower as the table shows below.



LED's Illuminated	Condition
1- Green, 2- Yellow, 3- Red	More than 60% charged
1- Not illuminated, 2- Yellow, 3- Red	More than 30% charged
1- Not illuminated, 2- Not illuminated, 3- Red	Less than 30% charged. Need to be charged

## Battery Charging

The battery in this lawn mower has been designed to provide maximum trouble-free life. However, like all batteries, it will eventually wear out. To obtain the longest possible battery life, we suggest the following:

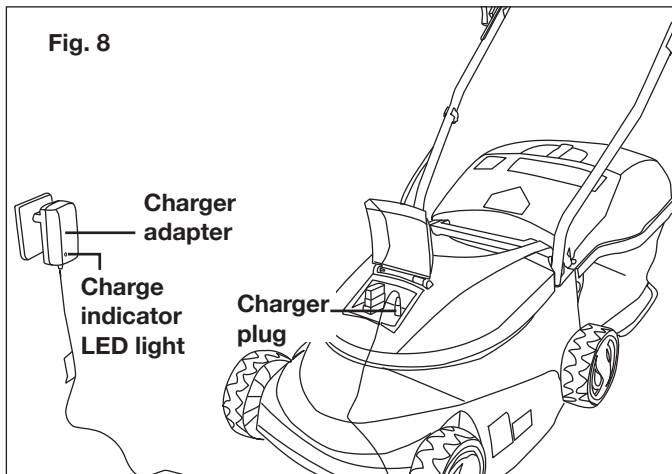
- Store and charge your lawn mower in a cool area. Temperatures above or below normal room temperature will shorten battery life.



- Never store the lawn mower with the battery in a discharged condition. Recharge the unit immediately after it is discharged.
- All batteries gradually lose their charge. The higher the temperature is, the faster they lose their charge. If you store your lawn mower for long periods of time without using it, recharge the battery every 6 months. This will extend battery life.

**NOTE:** The lawn mower has been shipped in a low charge condition and should be fully charged before use.

1. Plug the charger into an appropriate AC power outlet. Connect the charger plug into the charging socket of the lawn mower to start charging (Fig. 8).



2. The charge indicator LED on the charger will illuminate red to indicate that the charging is in progress (Fig. 8).
3. The battery will take approximately 5.5 hours to charge. The charge indicator LED will become green when the battery is fully charged, unplug the charger immediately when the green light is on.

**CAUTION!** This charger does not automatically turn off when the battery is fully charged. Please take care not to leave the lawn mower plugged into the charger. Switch off or unplug the charger at the mains when charging is complete.

**NOTE:** The charge indicator LED light will illuminate red when the charger is plugged in and is charging the lawn mower. The light will turn green when the lawn mower is fully charged.

The charging process starts as soon as the charger is plugged into both the proper electrical outlet and the tool.

- During the charging procedure, the housing of the tool will feel slightly warm to the touch. This is normal.
- When no further use is planned for an extended period of time, disconnect the battery charger from the outlet and the unit.
- Do not use the tool during the charging procedure.

## Operation

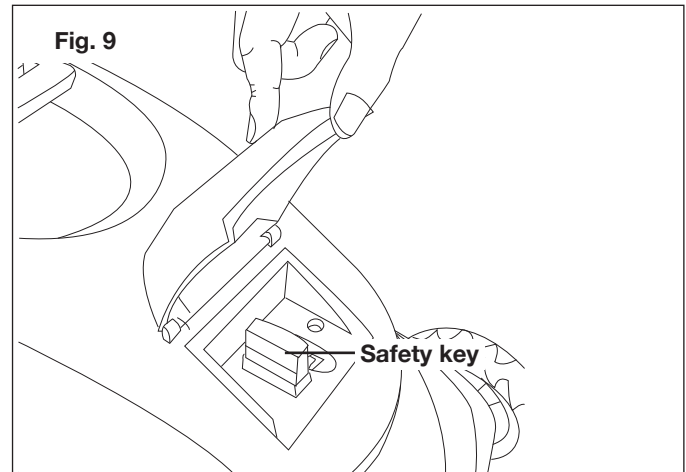
This lawn mower is intended for private residential use to cut grass in small lawns and gardens. This lawn mower is not intended to cut grass in public parks, playing fields, farms or forests. Do not use this lawn mower for any application other than that for which it is intended.

## Starting + Stopping

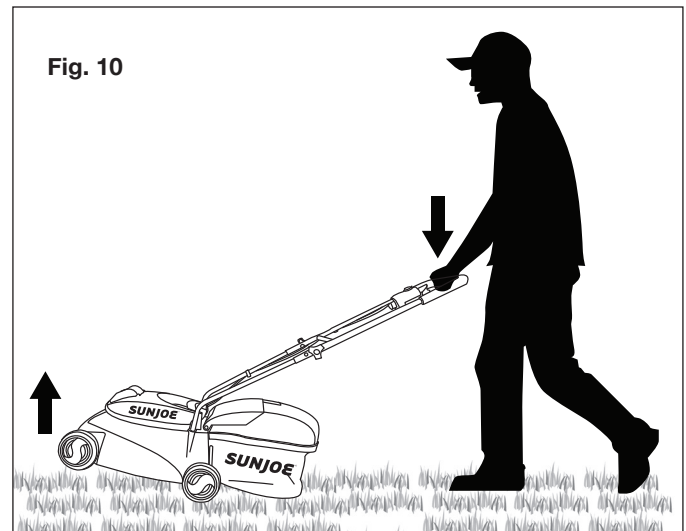
**WARNING!** Before switching on the mower, make sure that it is not in contact with any foreign objects. Keep your hands and feet a safe distance away from the rotating mower blade and the ejector opening. Failure to comply with these warnings can result in severe personal injury.

**IMPORTANT:** Do not start the mower in tall grass.

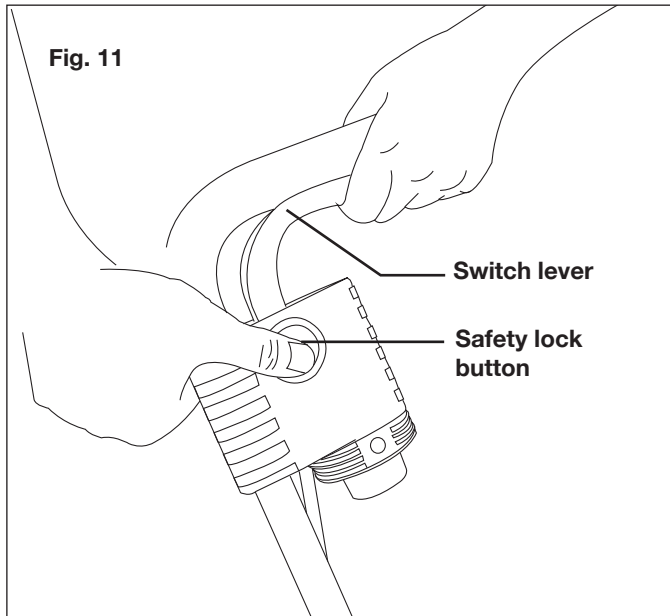
1. Before starting the unit, insert the safety key in the slot (Fig. 9).



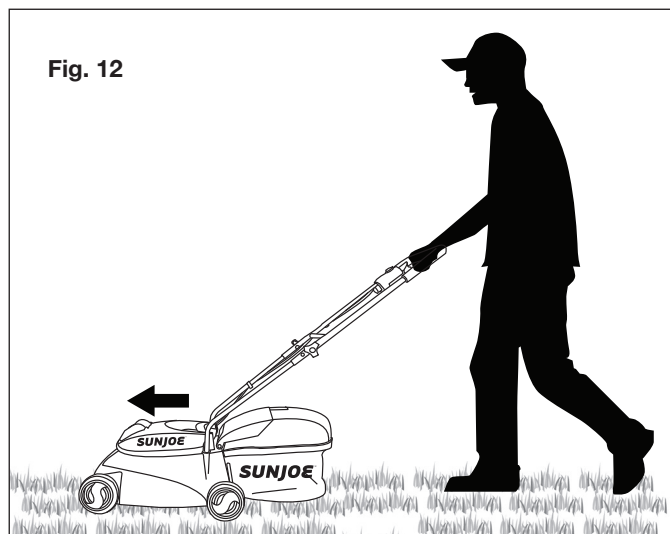
2. Before starting the lawn mower, hold the handle assembly with both hands and tilt the handle downward to slightly raise the front of the lawn mower. This will reduce the risk of lawn damage during start-up (Fig. 10).



3. To start the cordless lawn mower, press and hold the safety lock button while pulling the switch lever toward you (Fig. 11).



4. Once the machine powers on, release the safety lock button and proceed with operation, gently lowering the mower down into the cutting position (Fig. 12).



5. To stop the mower, release the switch lever.

**⚠WARNING!** The mower blade will continue to rotate for a brief period after the unit has been switched off. Do not tilt or carry the unit while the motor is still running and do not touch the blade while it is still rotating. Failure to comply could result in severe personal injury.

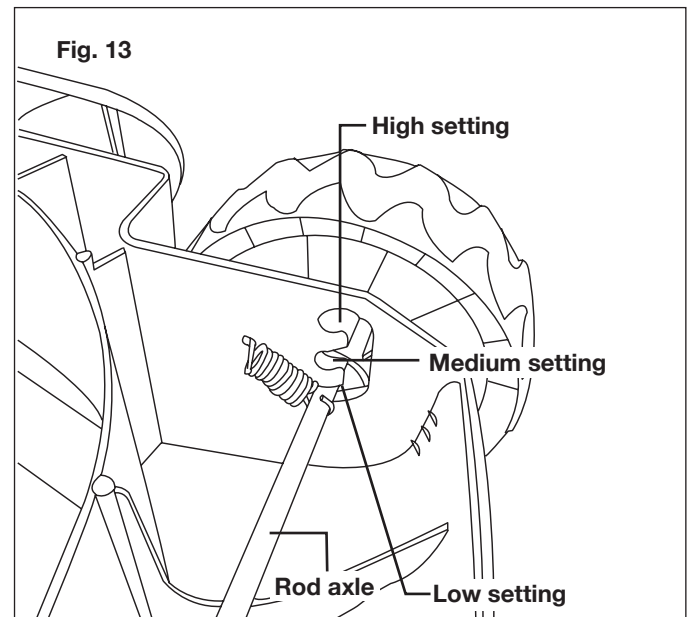
## Adjusting the Cutting Height

Follow these instructions to adjust the cutting height of the lawn mower.

**⚠WARNING!** Before making these adjustments, disconnect the power supply to the mower by plugging out the safety key from the slot, and wait until the rotating blade has come to a complete standstill. Wearing gloves is recommended due to the close proximity of the cutting blade.

ALWAYS FOLLOW ALL SAFETY PRECAUTIONS AND RECOMMENDATIONS LISTED PREVIOUSLY IN THIS MANUAL.

1. Power off and move the key out from the slot.
2. Remove and empty the grass collection bag.
3. Place the lawn mower on its side.



4. The wheel axles can be placed into 3 different cutting heights: low (will cut grass the shortest), medium, and high.

### 3-Position Height Adjustment (Fig. 13):

1. Low: 1.18 in. (30 mm)
2. Medium: 1.93 in. (49 mm)
3. High: 2.52 in. (64 mm)

The cutting height tolerance is +/- 0.2 in. (5 mm).

5. Move all four wheels to the desired cutting height by pulling back on the rod axle and setting it to the correct position. Make sure all four wheels are at the same cutting height position.

**NOTE:** Set the mower to the highest cutting height when mowing on uneven ground or in tall weeds.

6. Place the lawn mower back on to its wheels and reattach the grass collection bag.
7. Insert the safety key into the slot and resume normal use.

## Mowing Tips

**⚠️ WARNING!** Inspect the area prior to mowing and remove all the stones, sticks, wires and other foreign objects that could be picked up and thrown by the rotating blade. Failure to comply not only will damage the mower blade, but can also lead to serious personal injury.

- Be sure to check the mowing blade periodically for signs of wear and sharpen it at least once per year, as described in the maintenance section.

**NOTE:** A sharp blade will greatly enhance the performance of the mower, especially when cutting tall blades of grass.

- When cutting thick grass, reduce your walking speed in order to allow for a more effective cut and a proper discharge of the clippings. For a healthy lawn, always cut off one-third or less from the total length of the grass. The average lawn should be approximately 1.5 in. to 2 in. (3.8 cm to 5 cm) long during cool months, and more than 2 in. (5 cm) long during hot months. If there is growth, the lawn should be cut in the fall.
- The lawn will look better if it is always cut to the same height and in alternate directions.
- When crossing any gravelled surfaces, release the switch bar lever to turn off the mower. The stones can be picked up and thrown by the rotating blade.
- Set the mower to the highest cutting height when mowing on uneven ground or in tall weeds.

**⚠️ WARNING!** If you strike a foreign object, stop the motor and remove the safety key. Thoroughly inspect the mower and repair any damage before resuming work.

- **IMPORTANT!** Never open the ejector flap when the grass collection bag has been detached (to be emptied) and the motor is still running. A rotating blade can cause serious injuries!
- Always carefully fasten the ejector flap and grass collection bag. Switch off the motor before emptying the grass collection bag. Always ensure that a safe distance (provided by the length of the long handles) is maintained between the user and the mower housing. Be especially careful when mowing and changing direction on slopes and inclines.
- Maintain a solid footing and wear sturdy, non-slip footwear and long trousers. Always mow across an incline (not up and down).
- For safety reasons, the lawn mower may not be used to mow inclines with gradients exceeding 15 degrees.
- Use special caution when backing up and pulling the lawn mower towards you as such maneuvering of the machine poses a tripping hazard.

## Maintenance + Care

**⚠️ WARNING!** Before cleaning, repairing or inspecting the mower, disconnect the power supply by plugging out the safety key and verify that all moving parts have come to a complete stop.

### General

- Always keep the mower clean and free of grass, dirt or other debris.
- Keep the handles dry, clean and free of oil and grease.
- After each cutting session, remove accumulated grass clippings and debris using either a dry cloth or handbrush. You may also clean the equipment with a damp cloth and some soft, non-abrasive soap. Do not use cleaning agents or harsh solvents as they may damage the equipment's plastic components. Make sure that no water penetrates the equipment's interior as intake of water can destroy the switch/plug mechanism and the electric motor.
- Do not clean the lawn mower with running water, particularly with high-pressure water.
- Check all nuts, bolts and screws for proper tightness before each use.
- Frequently inspect the grass collection bag assembly for signs of wear and replace immediately with a genuine Snow Joe® + Sun Joe® part if damage is found.
- Replace excessively worn or damaged parts immediately.
- To maximize your mower's longevity, all screwed parts, including the wheels and axles, should be cleaned and lubricated. There are no parts inside the equipment which require additional maintenance or lubrication.

### Blade Maintenance

**IMPORTANT:** The mower blade is sharp and can cause severe personal injury if handled incorrectly. Wrap the blade or wear protective gloves, and use extra caution when handling.

The steel blade is designed to provide a fine cut in long or tough grass. Deterioration in the quality of cut indicates blade wear or damage. Follow these steps to determine if the blade needs to be resharpened or replaced:

1. Disconnect the power supply to the mower by removing the safety key.
2. Turn the mower on its side to expose the underside of the blade housing.
3. Check the blade.
  - a. If the blade is blunt or has minor wear, then resharpen. Contact an authorized Snow Joe® + Sun Joe® service center.
  - b. If the blade shows signs of major wear or damage (i.e. gouged, bent), replace. Please call Snow Joe® + Sun Joe® customer service for assistance at 1-866-SNOWJOE (1-866-766-9563).

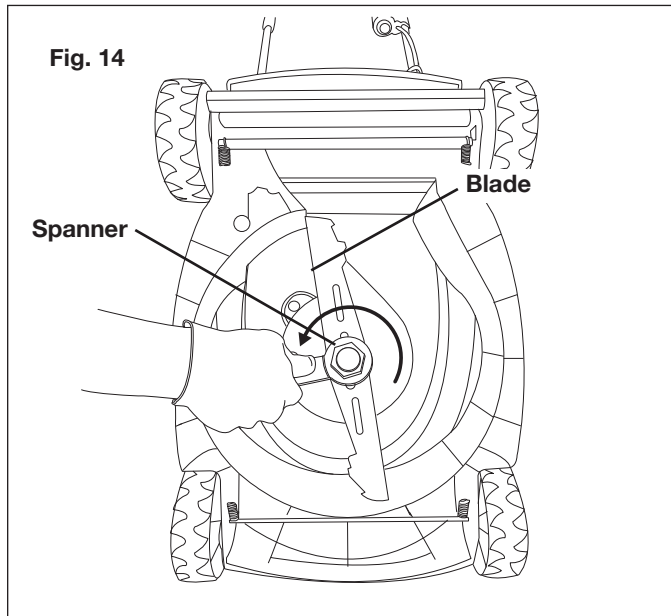
**⚠WARNING!** An excessively vibrating mower indicates that the blade is not properly balanced or has become deformed from striking an object. In this case, the blade must be repaired or replaced. Please follow the proper maintenance procedures for blade care or call the Snow Joe® + Sun Joe® customer service center for assistance at 1-866-SNOWJOE (1-866-766-9563).

## Blade Replacement

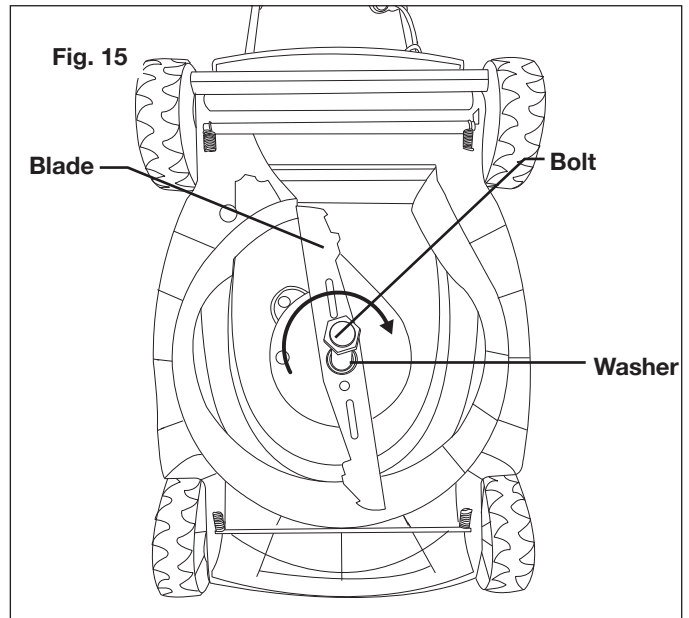
**IMPORTANT:** Only use original replacement parts specified for this mower.

You can purchase a replacement blade (Model MJ401C-BLD) and other genuine replacement parts by visiting us online at [sunjoe.com](http://sunjoe.com) or calling our toll-free customer service helpline at 1-866-SNOWJOE (1-866-766-9563). The use of parts that do not meet the original equipment specifications may lead to improper performance of the lawn mower, may compromise operator safety and will void the manufacturer's warranty.

1. Disconnect the safety key to the mower.
2. Turn the mower on its side to expose the underside of the blade housing.
3. Use a cloth to grip the blade or wear heavy-duty gloves.
4. Using the spanner provided, remove the bolt and the washer securing the blade by turning the bolt counterclockwise, then carefully remove the blade (Fig. 14).



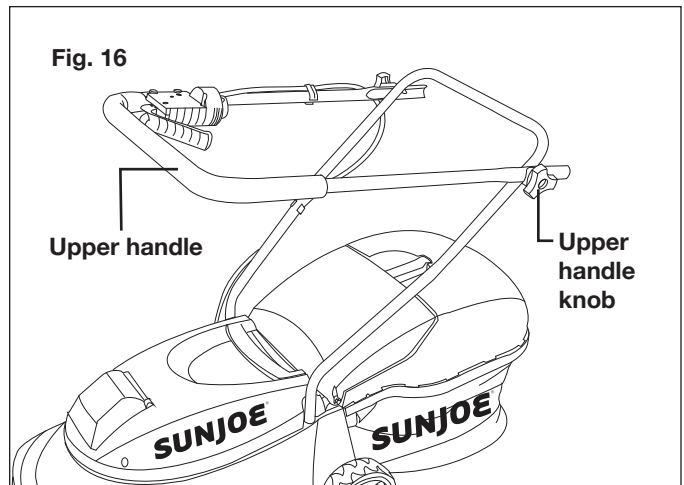
5. Fit the new blade, the washer and the bolt back on following the same steps in reverse order (Fig. 15).



## Storage

Follow the steps below to prepare the lawn mower for storage:

1. Remove the safety key from the slot.
2. Clean the mower with a damp cloth or hand brush.
3. Inspect the mower carefully for worn, loose or damaged parts. Check connections and screws and tighten if necessary. Pay special attention to the mower blade and replace/sharpen if it shows signs of wear. Refer to the Maintenance and Care section.
4. Store the mower indoors in a dry, clean and cool area out of the reach of children. Do not store the unit next to corrosive materials, such as fertilizer and rock salt.
5. Do not cover the lawn mower with a solid plastic sheet. Plastic coverings trap moisture around the mower, which can damage the unit.
6. The handle on your lawn mower can be folded for compact storage. Start by loosening the handle knobs on each side of the upper handle and fold down the upper handle (Fig. 16).





# iCHRG28-AC

## Federal Communications Commission (FCC)

**⚠ WARNING!** Any changes or modifications to this unit not expressly approved by the party responsible for compliance could void the user's authority to operate the equipment.

### **Class B device:**

**NOTE:** This equipment has been tested and found to comply with the limits for a Class B digital device, pursuant to part 15 of the FCC Rules.

These limits are designed to provide reasonable protection against harmful interference in a residential installation.

This equipment generates, uses and can radiate radio frequency energy and, if not installed and used in accordance with the instructions, may cause harmful interference to radio communications.

However, there is no guarantee that interference will not occur in a particular installation.

If this equipment does cause harmful interference to radio or television reception, which can be determined by turning the equipment off and on, the user is encouraged to try to correct the interference by one or more of the following measures:

- Reorient or relocate the receiving antenna.
- Increase the separation between the equipment and receiver.
- Connect the equipment into an outlet on a circuit different from that to which the receiver is connected.
- Consult the dealer or an experienced radio/TV technician for help.

# Troubleshooting

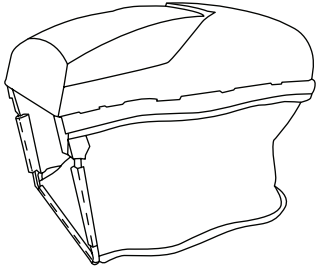
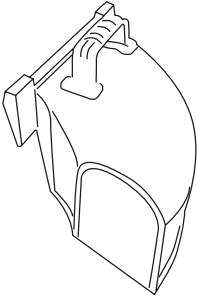
- Remove the safety key before carrying out maintenance on the machine or when checking that its parts are in proper working order.
- To avoid unnecessary hassles, consult the following table before contacting customer service with any mechanical issues.

<b>Fault</b>	<b>Possible Cause</b>	<b>Remedy</b>
Mower fails to start	<ul style="list-style-type: none"> <li>a) The safety key is not inserted</li> <li>b) The motor/blade control is disengaged</li> <li>c) The battery is flat</li> <li>d) The mower deck is clogged with grass or debris</li> <li>e) The grass is too tall</li> </ul>	<ul style="list-style-type: none"> <li>a) Insert the safety key</li> <li>b) Press safety lock button first ,then the switch lever.</li> <li>c) Charge the battery</li> <li>d) Clean the mower deck. Make sure the blade is free to move</li> <li>e) Set the mower to a high cutting height. Lift the front wheels slightly by pressing down on the handle bar.</li> </ul>
Mower stops while mowing	<ul style="list-style-type: none"> <li>a) The battery is flat</li> <li>b) The grass is too tall</li> <li>c) The mower deck is clogged with grass or debris</li> <li>d) The machine is overload and switched off by the overload protection system</li> </ul>	<ul style="list-style-type: none"> <li>a) Charge the battery</li> <li>b) Reset the cutting height</li> <li>c) Clean the mower deck. Make sure the blade is free to move</li> <li>d) Cool down the machine for 5 mins. Wait for the overload protection to reset the machine</li> </ul>
The mower cannot cut grass evenly	<ul style="list-style-type: none"> <li>a) The lawn is rough or uneven</li> <li>b) The blade is not sharp enough</li> </ul>	<ul style="list-style-type: none"> <li>a) Adjust cutting height</li> <li>b) Sharpen or replace the blade</li> </ul>
The mower cannot mulch properly	<ul style="list-style-type: none"> <li>a) The mower deck is clogged with grass or debris</li> <li>b) The grass is too wet</li> <li>c) The grass is too tall</li> <li>d) The blade is not sharp enough</li> </ul>	<ul style="list-style-type: none"> <li>a) Clean the mower deck. Make sure the blade is free to move</li> <li>b) Wait until the grass is dry</li> <li>c) Adjust the cutting height to the high position to mow for the first time, and mow again at the desired height setting</li> <li>d) Sharpen or replace the blade</li> </ul>
The mower is difficult to push	<ul style="list-style-type: none"> <li>a) The grass is too tall to cut</li> <li>b) The blade or the mower rear is dragged by heavy grass</li> </ul>	<ul style="list-style-type: none"> <li>a) Adjust cutting height higher</li> </ul>
The mower is vibrating at high speed	<ul style="list-style-type: none"> <li>a) The motor shaft is bent</li> <li>b) The blade is unbalanced</li> <li>c) The blade screw is loosen</li> </ul>	<ul style="list-style-type: none"> <li>a) Stop the motor, remove the safety key, and inspect the damage. Call the Snow Joe® + Sun Joe® customer service center at 1-866-SNOWJOE (1-866-766-9563)</li> <li>b) Balance the blade by grinding each cutting edge equally or replace a new one</li> <li>c) Tighten the blade bolt</li> </ul>

Only a company specialist may be able to correct faults that cannot be rectified with the aid of this table. Please call the Snow Joe® + Sun Joe® customer service center at 1-866-SNOWJOE (1-866-766-9563).

# Optional Accessories

**⚠️ WARNING!** ALWAYS use only authorized Snow Joe® + Sun Joe® replacement parts and accessories. NEVER use replacement parts or accessories that are not intended for use with this tool. Contact Snow Joe® + Sun Joe® if you are unsure whether it is safe to use a particular replacement part or accessory with your tool. The use of any other attachment or accessory can be dangerous and could cause injury or mechanical damage.

Accessories	Item	Model
<p>①</p> 	<p>10.6-gallon (40 L) grass collection bag</p>	<p>MJ401E-10</p>
<p>②</p> 	<p>Lawn Mower Side-Discharge Chute Accessory</p>	<p>MJ401E-DCA</p>

**NOTE:** Accessories are subject to change without any obligation on the part of Snow Joe® + Sun Joe® to provide notice of such changes. Accessories can be ordered online at [sunjoe.com](http://sunjoe.com) or via phone by contacting the Snow Joe® + Sun Joe® customer service center at 1-866-SNOWJOE (1-866-766-9563).





## SNOW JOE® + SUN JOE® CUSTOMER PROMISE

**ABOVE ALL ELSE**, Snow Joe, LLC (“Snow Joe”) is dedicated to you, our customer. We strive to make your experience as pleasant as possible. Unfortunately, there are times when a Snow Joe®, Sun Joe®, or Aqua Joe® product (“Product”) does not work or breaks under normal operating conditions. We think it’s important that you know what you can expect from us. That’s why we have a Limited Warranty (“Warranty”) for our Products.

---

### **OUR WARRANTY:**

Snow Joe warrants new, genuine, powered and non-powered Products to be free from defects in material or workmanship when used for ordinary household use for a period of two years from the date of purchase by the original, end-user purchaser when purchased from Snow Joe or from one of Snow Joe’s authorized sellers with proof of purchase. Because Snow Joe is unable to control the quality of its Products sold by unauthorized sellers, unless otherwise prohibited by law, this Warranty does not cover Products purchased from unauthorized sellers. If your Product does not work or there’s an issue with a specific part that is covered by the terms of this Warranty, Snow Joe will elect to either (1) send you a free replacement part, (2) replace the Product with a new or comparable product at no charge, or (3) repair the Product. How cool is that!

**This Warranty gives you specific legal rights, and you may also have other rights which vary from State to State.**

### **PRODUCT REGISTRATION:**

Snow Joe strongly encourages you to register your Product. You can register online at [snowjoe.com/register](https://snowjoe.com/register), or by printing and mailing in a registration card available online from our website, or calling our Customer Service Department at **1-866-SNOWJOE (1-866-766-9563)**, or by e-mailing us at [help@snowjoe.com](mailto:help@snowjoe.com). Failure to register your Product will not diminish your warranty rights. However, registering your Product will allow Snow Joe to better serve you with any of your customer service needs.

### **WHO CAN SEEK LIMITED WARRANTY COVERAGE:**

This Warranty is extended by Snow Joe to the original purchaser and original owner of the Product.

### **WHAT IS NOT COVERED?**

This Warranty does not apply if the Product has been used commercially or for non-household or rental applications. This Warranty also does not apply if the Product was purchased from an unauthorized seller. This Warranty also does not cover cosmetic changes that do not affect performance. Wearing parts like belts, augers, chains and tines are not covered under this Warranty, and can be purchased at [snowjoe.com](https://snowjoe.com) or by calling **1-866-SNOWJOE (1-866-766-9563)**.





MANUAL DEL OPERADOR

Una división de Snow Joe®, LLC

ES

# PODADORA DE CÉSPED INALÁMBRICA

28 V | 5.0 Ah | 35.6 CM

Modelo MJ401C-XR

Forma No. SJ-MJ401C-XR-880S-MR5

## ¡IMPORTANTE! Instrucciones de seguridad

### Todos los operadores deberán leer estas instrucciones antes del uso

Siga siempre estas normas de seguridad. No hacerlo podría resultar en lesiones corporales severas o incluso la muerte.

### ¡ADVERTENCIAS generales de seguridad!

Usted debe tomar precauciones básicas de seguridad siempre que use esta podadora de césped inalámbrica para reducir el riesgo de incendio, choque eléctrico y lesiones personales. Estas precauciones incluyen:

**⚠ ¡ADVERTENCIA!** No la opere sin todo el receptor de césped, protector contra descargas, protector posterior u otro dispositivo protector de seguridad en su lugar y funcionando apropiadamente.

**⚠ ¡ADVERTENCIA!** El uso de cualquier otro accesorio o acoplamiento podría aumentar el riesgo de lesiones.

**⚠ ¡ADVERTENCIA!** Para reducir el riesgo de lesiones, inspeccione frecuentemente el ensamblado recolector de césped y reemplácelo con las partes recomendadas si es que presenta signos de desgaste o deterioro.

Antes de usar la podadora de césped inalámbrica, tómese el tiempo para familiarizarse con los controles y, sobre todo, con la forma de detener la podadora de césped inalámbrica en caso de emergencia. Las únicas personas que deben usar la podadora de césped inalámbrica son aquellas que tengan un entendimiento completo de las instrucciones y sepan cómo operar la máquina. Los niños nunca deberán tener acceso a la podadora de césped inalámbrica.

Conserve este manual para futuras referencias y vuélvalo a leer al inicio de cada temporada de podado.

**⚠ ¡ADVERTENCIA!** El contacto con las partes móviles puede causar enredos, mutilaciones u otras lesiones corporales severas. Mantenga siempre las partes del cuerpo (p. ej., manos y pies) a una distancia segura de las partes móviles. Asegúrese de que todos los protectores y cubiertas estén colocados de forma correcta y segura antes del uso.

Las superficies calientes (p. ej., el motor) pueden encender objetos inflamables o combustibles y causar un incendio o explosión, que puede resultar en lesiones corporales severas. Mantenga la podadora de césped inalámbrica a una distancia segura lejos de objetos inflamables o combustibles hasta que las superficies que estén calientes se hayan enfriado por completo. No almacene la podadora de césped inalámbrica cerca de objetos inflamables o combustibles.

Una cuchilla dañada o tuerca de cuchilla gastada puede desprenderse del ensamblado de la podadora de césped inalámbrica y causar una lesión severa. Reemplace la cuchilla dañada o tuerca de cuchilla gastada antes de usar la podadora de césped inalámbrica.

- 1. Evite entornos peligrosos:** no use la podadora de césped inalámbrica bajo la lluvia, ni cuando el césped esté húmedo o mojado.
- 2. Mantenga alejados a los niños, espectadores y mascotas:** mantenga siempre a los niños, espectadores y mascotas a una distancia segura de la podadora de césped inalámbrica mientras está funcionando y mientras se enfría.
- 3. Vístase apropiadamente:** utilice siempre equipos de protección personal (por ejemplo gafas, guantes de hule, calzado protector y máscara antipolvo) y una vestimenta adecuada al usar la podadora de césped inalámbrica. Las vestimentas holgadas, el pelo largo o la joyería pueden engancharse en las partes móviles de la podadora.
- 4. Use el artefacto correcto:** no use la podadora de césped inalámbrica para cualquier otra tarea que no sea una de aquellas para las cuales fue diseñada.
- 5. No fuerce la podadora de césped inalámbrica:** tendrá un mejor funcionamiento con menos probabilidades de lesiones personales o fallas mecánicas si es usada con el nivel de actividad para el cual fue diseñada.
- 6. No se sobreextienda:** mantenga con sus pies balance y posición adecuados durante todo el tiempo.
- 7. Manténgase alerta:** esté siempre alerta y vea lo que está haciendo. Utilice su sentido común. No opere la podadora de césped inalámbrica si usted está cansado o bajo la influencia del alcohol u otras drogas.
- 8. Desconecte la podadora de césped inalámbrica:** APAGUE Y RETIRE LA LLAVE DE SEGURIDAD cuando la podadora de césped inalámbrica no esté siendo usada, antes de ser reparada, al cambiarle accesorios, o al llevar a cabo cualquier otra tarea de mantenimiento en esta.

9. **Guarde la podadora de césped inalámbrica inactiva bajo techo:** cuando no esté siendo usada, la podadora de césped inalámbrica debe guardarse bajo techo y en un lugar seco, bajo llave y fuera del alcance de los niños.
10. **Cuide su podadora de césped inalámbrica:** mantenga la cuchilla afilada y limpia para el mejor y más seguro funcionamiento.
11. **Utilice equipos de protección personal. Use siempre protección para los ojos:** al ser usados en condiciones apropiadas, los equipos protectores tales como gafas de seguridad, máscara antipolvo, zapatos antideslizantes, casco o protección auditiva, reducirán las probabilidades de lesiones personales.
12. **Evite encendidos accidentales:** asegúrese de que el interruptor esté en la posición de APAGADO antes de insertar la llave de seguridad, o antes de levantar o transportar la herramienta. Llevar herramientas eléctricas con su dedo en el interruptor o cargarlas con el interruptor en la posición de ENCENDIDO puede provocar accidentes.
13. **Retire cualquier llave de ajuste o llave inglesa antes de encender la podadora de césped inalámbrica:** una llave inglesa, o cualquier otro tipo de llave, conectada a una parte giratoria de la podadora podría ocasionar lesiones personales.
14. **Mantenga la cuchilla limpia y afilada:** una cuchilla de corte mantenida adecuadamente, con sus bordes afilados, tiene menos probabilidades de atascarse y es más fácil de controlar.
15. **Mantenga todas las partes del cuerpo alejadas de la cuchilla de corte:** no retire material cortado ni sujete el material a ser cortado cuando la cuchilla esté moviéndose. Asegúrese de que el interruptor esté apagado al retirar material atascado. Un momento de distracción durante el uso de este producto podría ocasionar lesiones personales severas.
16. Si la podadora de césped inalámbrica golpea un objeto extraño, siga estas instrucciones:
  - i) Detenga la podadora de césped inalámbrica soltando la palanca interruptora de encendido/apagado.
  - ii) Retire la llave de seguridad.
  - iii) Inspeccione la unidad en busca de daños.
  - iv) Repare cualquier daño antes de volver a encender la podadora de césped inalámbrica.
17. **Solo use cuchillas de repuesto idénticas y otras partes genuinas.**
18. **Mantenga los protectores en su lugar y funcionando apropiadamente.**

## Seguridad eléctrica

1. Si el cable del cargador de la batería está dañado, comuníquese con la central de servicio al cliente Snow Joe® + Sun Joe® llamando al 1-866-SNOWJOE (1-866-766-9563).
2. Si cargar la podadora de césped inalámbrica en una ubicación mojada es inevitable, utilice una fuente de alimentación protegida por un dispositivo de corriente residual (residual current device o RCD por sus siglas en inglés). El uso de un RCD reduce el riesgo de un choque eléctrico.
3. **El enchufe del cargador de la podadora de césped inalámbrica debe encajar en el tomacorriente. Nunca modifique el enchufe de ninguna manera.** No use ninguna herramienta eléctrica o cargador de batería que tenga conexión a tierra. Usar enchufes no modificados y tomacorrientes equivalentes reducirá el riesgo de un choque eléctrico.
4. Evite el contacto de su cuerpo con superficies puestas a tierra tales como tuberías, radiadores, cocinas eléctricas y refrigeradoras. Hay un mayor riesgo de un choque eléctrico si su cuerpo está puesto a tierra.
5. **No ponga la podadora de césped inalámbrica bajo la lluvia o en lugares mojados.** Si entra agua a esta herramienta se incrementará el riesgo de un choque eléctrico.
6. **No maltrate el cable del adaptador de carga.** Nunca use el cable para transportar, jalar o desenchufar el adaptador de carga. Mantenga el cable alejado del calor, aceite, bordes filosos o partes en movimiento. Los cables dañados o enredados incrementan el riesgo de un choque eléctrico.
7. El cargador de batería solo es para uso en interiores. No cargue la podadora de césped inalámbrica bajo la lluvia o en lugares mojados.

## Advertencias de seguridad de la batería

Este manual contiene importante información de seguridad e instrucciones de operación para la batería y el cargador.

1. Antes de usar el cargador, lea cuidadosamente todas las instrucciones y marcas cautelares en el adaptador de carga, la batería y la podadora de césped inalámbrica.

**⚠ ¡ADVERTENCIA!** Si la carcasa de la podadora de césped inalámbrica está resquebrajada o dañada, no conecte el adaptador de carga a la podadora, ni enchufe el adaptador de carga CA al tomacorriente. Hay un peligro de choque eléctrico o electrocución.

2. Este cargador SOLO ESTÁ destinado para cargar esta batería recargable. Cualquier otro uso representa un riesgo de incendio, choque eléctrico o electrocución.

3. No coloque ningún objeto en la parte superior del cargador, ni coloque el cargador sobre una superficie suave que pueda resultar en un calor interno excesivo. Mantenga el cargador alejado de cualquier fuente de calor.
4. Para reducir el riesgo de daños al enchufe y cable eléctrico, jale el enchufe, no el cable, al desconectar el cargador del tomacorriente.
5. Asegúrese de que el cable del adaptador de carga de batería esté ubicado en un lugar seguro de manera que no sea pisoteado, que la gente no se tropiece con este, ni que esté de otro modo sujeto a daños o tensiones.
6. No se debe usar un cable de extensión a menos que sea absolutamente necesario. Usar un cable de extensión inadecuado representa un riesgo de incendio, choque eléctrico o electrocución.
7. No opere el adaptador de carga si este ha recibido un golpe violento o se ha dañado de cualquier forma. Comuníquese con la central de servicio al cliente Snow Joe® + Sun Joe® llamando al 1-866-SNOWJOE (1-866-766-9563) antes de continuar con su uso.
8. No desarme el adaptador de carga. Si el adaptador de carga necesita reparación o mantenimiento, comuníquese con un distribuidor Snow Joe® + Sun Joe® autorizado o llame a la central de servicio al cliente Snow Joe® + Sun Joe® al 1-866-SNOWJOE (1-866-766-9563). Un reensamblado incorrecto representa un riesgo de un choque eléctrico, electrocución o incendio.
9. Para reducir el riesgo de un choque eléctrico, desenchufe el adaptador de carga del tomacorriente antes de limpiar la unidad.
10. Nunca intente conectar dos (2) adaptadores de carga uno con otro.
11. **NO GUARDE NI USE** la podadora de césped inalámbrica ni la batería en entornos donde la temperatura pueda alcanzar o exceder los 104°F (40°C). Los lugares de almacenamiento peligrosos incluyen cobertizos en exteriores o construcciones de metal durante el verano.
12. El adaptador de carga está diseñado para funcionar con voltaje de tomacorriente doméstico estándar (120 - 240 VAC). ¡No intente usarlo en ninguna forma con ningún otro voltaje!  
**NOTA:** la batería integrada no viene completamente cargada en la caja de embalaje. Lea las instrucciones de seguridad y luego siga las notas y procedimientos de carga.
13. Se puede obtener el más prolongado ciclo de vida útil y el mejor rendimiento de la batería si esta es cargada cuando la temperatura del ambiente es entre 64.4°F (18°C) y 75.2°F (24°C). No cargue la batería cuando la temperatura del aire caiga por debajo de los 50°F (10°C) o aumente por encima de los 104°F (40°C). Seguir estas medidas de seguridad evitará que la batería se dañe.

14. No incinere la batería integrada, incluso si ha sido severamente dañada o se encuentre completamente gastada. La batería puede explotar al ser expuesta al fuego.

## ¡IMPORTANTE! Instrucciones de seguridad para podadoras de césped de rodadura

### Operación general

- Lea, entienda y siga todas las instrucciones en la podadora de césped inalámbrica y en el(los) manual(es) antes de empezar a operarla.
- No ponga sus manos o pies cerca o debajo de la máquina. Manténgase siempre alejado de la abertura de descarga.
- Solo adultos responsables familiarizados con las instrucciones deberán estar autorizados a operar esta podadora de césped inalámbrica.
- Limpie el área para podar de objetos extraños como rocas, alambres, juguetes y otros objetos que pueden ser recogidos y arrojados por la cuchilla. Manténgase detrás del mango cuando el motor esté funcionando.
- Asegúrese de que el área de podado esté libre de espectadores antes de encender la máquina. Detenga la máquina si alguien entra al área.
- No opere la máquina descalzo o usando sandalias. Use siempre calzado protector.
- Siempre mire hacia abajo y hacia atrás antes y durante el movimiento en reversa de la podadora de césped inalámbrica.
- Nunca arroje material directamente hacia nadie. Evite arrojar material contra paredes u otras obstrucciones.
- No opere la máquina sin todo el receptor de césped, protector contra descargas, protector posterior u otro dispositivo de seguridad en su lugar y funcionando apropiadamente.
- Nunca abandone una podadora de césped inalámbrica funcionando.
- Detenga el motor y espere a que la cuchilla se hayan detenido por completo antes de limpiar la máquina, retirar el receptor de césped o desatascar el protector contra descargas.
- Opere la máquina solo bajo luz diurna o luz artificial apropiada.
- No opere la máquina si usted está cansado o bajo la influencia del alcohol o las drogas.

- Nunca opere la podadora de césped inalámbrica sobre césped mojado. Esté siempre atento a dónde esté pisando. Camine, nunca corra con la podadora de césped inalámbrica.
- Si la máquina empieza a vibrar de manera anormal, detenga el motor e inmediatamente inspeccione la máquina para determinar la causa. Las vibraciones generalmente son señales de problemas.
- Mantenga la cuchilla afilada.
- Mantenga los pies y manos lejos del área de corte.
- Utilice siempre protección ocular al operar la máquina.
- Los objetos arrojados por la cuchilla de la podadora de césped inalámbrica pueden causar lesiones severas. Siempre se debe examinar cuidadosamente el área a ser podada y retirar todos los objetos antes de cada poda.

## Trabajo en pendientes

Las pendientes son factores importantes relacionados a accidentes de resbalos y caídas, los cuales pueden resultar en lesiones severas. La operación en todas las pendientes requiere extremo cuidado. Si no se siente seguro en una pendiente, no la pode.

- Pode el césped de forma lateral en la pendiente. Nunca pode pendientes siguiendo una ruta trasversal de arriba a abajo. Tenga mucho cuidado al cambiar de dirección en una pendiente.
- Esté atento a hoyos, surcos, baches, rocas u otros objetos ocultos. Estos pueden causar una caída o resbalón inesperados.
- No pode sobre césped mojado o pendientes demasiado inclinadas. Una mala postura puede causar un accidente de resbalo y caída.
- No pode cerca de laderas, zanjas o terraplenes. Usted puede perder su postura o equilibrio.

## Niños

Pueden ocurrir accidentes trágicos si el operador no está alerta de la presencia de niños. Los niños son generalmente atraídos a la máquina y a la actividad de podar. Nunca asuma que los niños permanecerán en donde usted los vio por última vez.
















- Mantenga a los niños lejos del área de poda y bajo la estricta vigilancia de un adulto responsable que no sea el operador de la podadora de césped inalámbrica.
- Esté siempre atento y apague la podadora de césped inalámbrica si un niño entra en el área.
- Nunca deje que los niños operen la máquina.
- Tenga especial cuidado al acercarse a esquinas ciegas, arbustos, árboles u otros objetos que puedan obstaculizar la visualización de un niño.

## Servicio

- Detenga la máquina y desconecte la llave de seguridad antes de reparar, limpiar o remover recortes de césped de la podadora de césped inalámbrica.
- Mantenga ajustados todos los pernos y tuercas.
- Nunca manipule los dispositivos de seguridad. Inspecciónelos regularmente para asegurarse de que estén en su lugar y funcionando apropiadamente.
- Mantenga la podadora de césped inalámbrica libre de césped, hojas y otra acumulación de residuos.
- Si la podadora de césped inalámbrica golpea un objeto extraño, deténgase e inspecciónela. Repárela, de ser necesario, antes de volver a trabajar.
- Nunca efectúe ningún ajuste o reparación con el motor encendido. Siempre retire la llave de seguridad de la podadora de césped inalámbrica antes de modificarla, limpiarla o repararla.
- Verifique frecuentemente los componentes de la bolsa recolectora de césped y del protector contra descargas, y reemplácelos con partes recomendadas por el fabricante de ser necesario.
- La cuchilla de la podadora de césped inalámbrica está afilada. Envuelva la cuchilla o use guantes. Tenga especial cuidado al reparar la cuchilla.
- Mantenga o reemplace las etiquetas de seguridad y de instrucción, de ser necesario.
- Si su podadora de césped inalámbrica requiere servicio, contacte a un distribuidor Snow Joe® + Sun Joe® autorizado o comuníquese con la central de servicio al cliente Snow Joe® + Sun Joe® llamando al 1-866-SNOWJOE (1-866-766-9563). Para las reparaciones se deben utilizar únicamente partes de repuesto idénticas. Esto mantendrá la seguridad de la podadora de césped inalámbrica.
- Si el cable del cargador de la batería está dañado, debe ser reemplazado inmediatamente para evitar accidentes. Comuníquese con la central de servicio al cliente Snow Joe® + Sun Joe® llamando al 1-866-SNOWJOE (1-866-766-9563) para recibir asistencia.

# Símbolos de seguridad

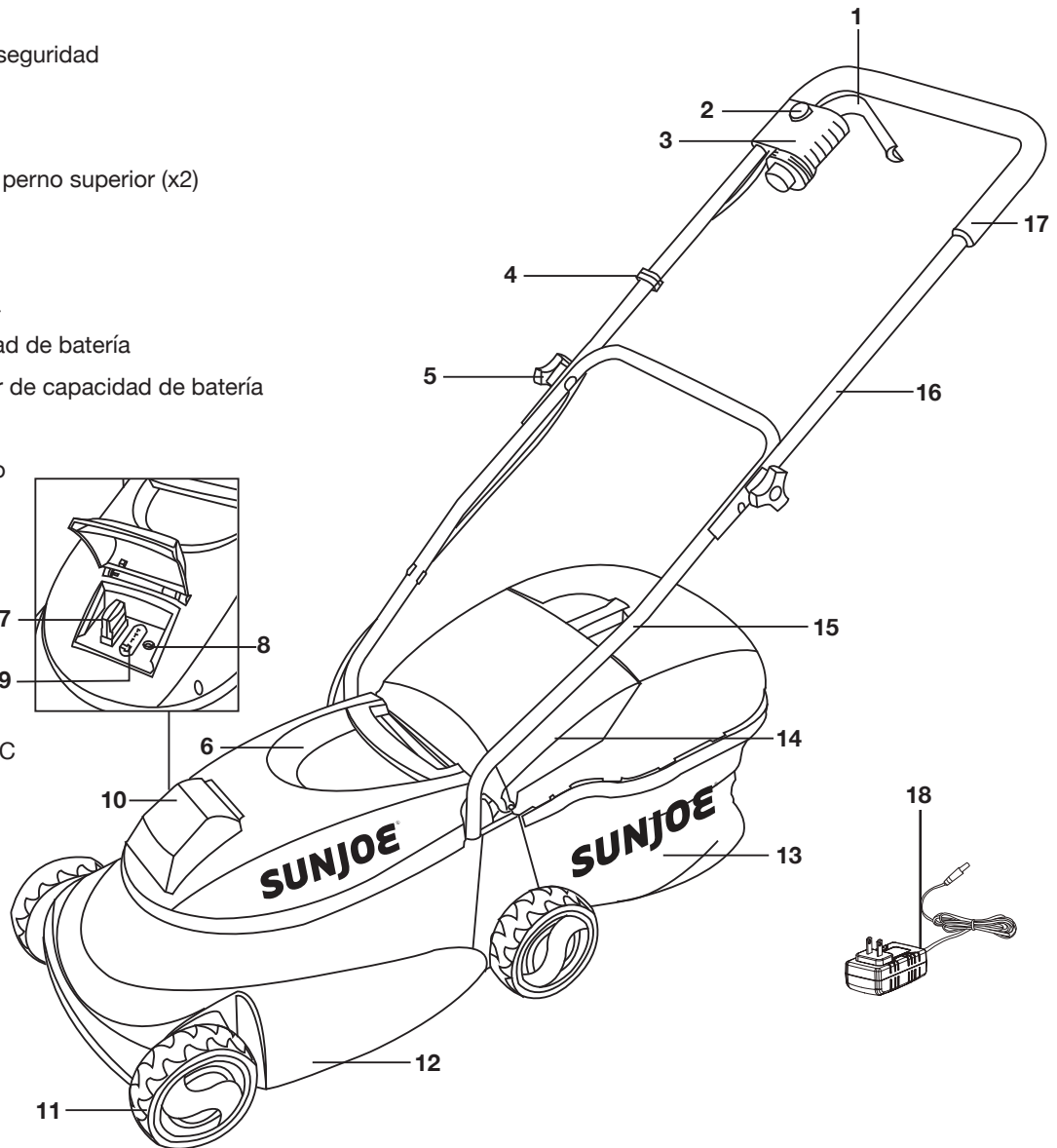
La siguiente tabla muestra y describe los símbolos de seguridad que pueden aparecer en este producto. Lea, comprenda y siga todas las instrucciones de la máquina antes de intentar ensamblarla y operarla.

Símbolo	Descripción	Símbolo	Descripción
	<b>¡PELIGRO!</b> Cuchilla giratoria. Mantenga los pies y manos alejados.		Mantenga a los transeúntes y niños alejados a una distancia segura.
	Alerta de seguridad. Precaución. Para reducir el riesgo de lesiones personales, el usuario debe leer el manual de instrucciones.		Use protección ocular y auditiva. Para evitar lesiones, use protectores para los oídos y gafas de seguridad.
	<b>¡ADVERTENCIA!</b> No exponga ni opere la unidad en la lluvia o entornos mojados. Manténgala seca.		Utilice guantes protectores y calzado no deslizante al operar esta máquina y al manipular desechos.
	Peligro de resbalo en pendientes: tenga extremo cuidado al podar en pendientes para evitar resbalar y caer.		Amputación de dedos de pies o manos por cuchilla giratoria de podadora de césped inalámbrica de césped. Mantenga las manos y los pies alejados
	Los objetos arrojados y la cuchilla giratoria pueden causar lesiones severas.		Mantenga a los espectadores a una distancia segura del área de trabajo.
	La cuchilla continuará girando luego de que la máquina se haya apagado.		<b>¡ADVERTENCIA!</b> Siempre APAGUE la máquina y retire la llave de seguridad antes de llevar a cabo tareas de inspección, limpieza o mantenimiento.
	Cuchilla giratoria: mantenga las manos y pies alejados de la abertura mientras la máquina esté funcionando.		Mire hacia atrás cuando retroceda con la podadora de césped inalámbrica.
	Solo para uso en interiores. Utilice el cargador de batería solamente en interiores.		

# Conozca su podadora de césped inalámbrica

Lea detenidamente el manual del propietario y las instrucciones de seguridad antes de operar la podadora de césped inalámbrica. Compare la ilustración debajo con la podadora de césped inalámbrica para familiarizarse con la ubicación de los diversos controles y ajustes. Guarde este manual para futuras referencias.

1. Palanca interruptora
2. Botón de trabado de seguridad
3. Caja del interruptor
4. Gancho de cable (x2)
5. Tuerca de mariposa y perno superior (x2)
6. Cubierta superior
7. Llave de seguridad
8. Receptáculo de carga
9. Indicador de capacidad de batería
10. Cubierta del indicador de capacidad de batería
11. Rueda (x4)
12. Plataforma de podado
13. Bolsa recolectora de césped
14. Compuerta eyectora
15. Mango inferior
16. Mango superior
17. Empuñadura
18. Cargador iCHRG28-AC



## Datos técnicos

Motor .....	600 W Sin escobillas	Máximo ancho de corte .....	14 plg (35.6 cm)
Voltaje máxima de batería* .....	28 V CC	Altura de corte .....	1.18 plg a 2.52 plg (30 mm a 64 mm)
Capacidad de la batería .....	5.0 Ah	Capacidad de bolsa para césped .....	10.6 gal (40 L)
Entrada del cargador .....	100 V a 240 V CA 50 Hz a 60 Hz, 0.8 A	Material de cuchilla .....	Acero
Salida del cargador .....	29 V DC 0.9 A	Tamaño de rueda .....	5.5 plg (14 cm)
Tiempo de carga de batería máximo .....	5.5 horas	Peso neto .....	23.1 lb (10.5 kg)
Velocidad sin carga .....	3,000 RPM		

\*Voltaje inicial sin carga, al ser cargada por completo alcanza un pico de 29.4 V; un voltaje nominal bajo carga típica es 28 V.



# Desembalaje

## Contenido del paquete

- Podadora de césped inalámbrica
- Bolsa recolectora de césped
- Vara de soporte de bolsa recolectora de césped
- Mango superior
- Juego de tuerca de mariposa y perno de mango inferior (x2)
- Mango inferior
- Tornillos de mango inferior (x2)
- Llave
- Tornillos (x2)
- Ganchos para cable (x2)
- Cargador de batería
- Manual y tarjeta de registro

1. Retire cuidadosamente la podadora de césped inalámbrica y compruebe que todos los artículos anteriores estén incluidos en el paquete.
2. Inspeccione cuidadosamente el producto para asegurarse de que no haya ocurrido ningún daño o ruptura durante el transporte. Si alguna parte está dañada o extraviada, **NO DEVUELVA LA UNIDAD A LA TIENDA**. Comuníquese con la central de servicio al cliente Snow Joe® + Sun Joe® llamando al 1-866-SNOWJOE (1-866-766-9563).

**NOTA:** no se deshaga de la caja de transporte ni del material de embalaje hasta que usted esté listo para usar su podadora de césped inalámbrica. El empaquetado está hecho de materiales reciclables. Deseche estos materiales en conformidad a los reglamentos locales.

## Ensamblado

**⚠ ¡ADVERTENCIA!** No inserte la llave de seguridad hasta que haya completado el ensamblado. No obedecer esta advertencia puede resultar en un encendido accidental y lesiones personales severas.

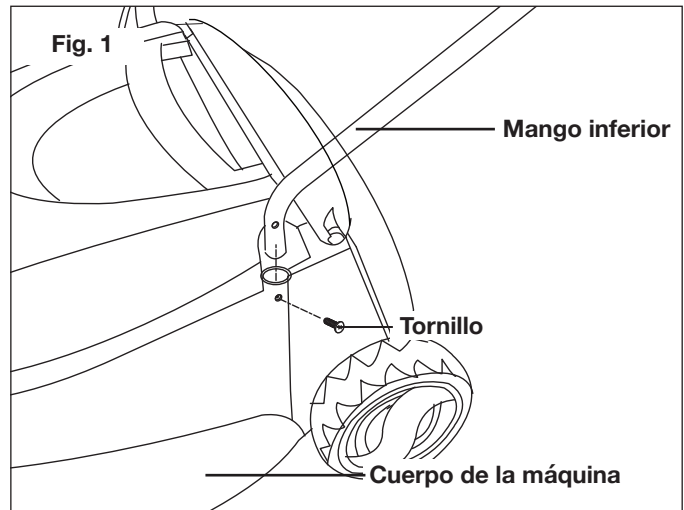
**⚠ ¡ADVERTENCIA!** Antes de realizar cualquier tarea de mantenimiento, asegúrese de que la llave haya sido retirada de la unidad. No seguir esta advertencia podría resultar en lesiones personales severas.

**⚠ ¡ADVERTENCIA!** El producto debe estar completamente ensamblado antes de su operación. No use un producto que esté ensamblado parcialmente o ensamblado con partes dañadas.

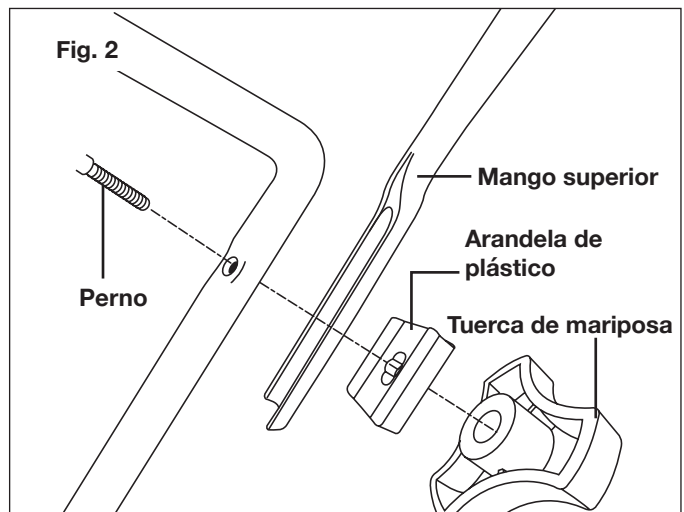
**NOTA:** antes de usar la podadora de césped inalámbrica siga estas instrucciones para ensamblar el mango y la bolsa recolectora de césped.

## Ensamblado del mango

1. Coloque el mango inferior dentro de los dos orificios en el cuerpo de la máquina y ajuste el mango en ambos lados con los tornillos proporcionados (Fig. 1).

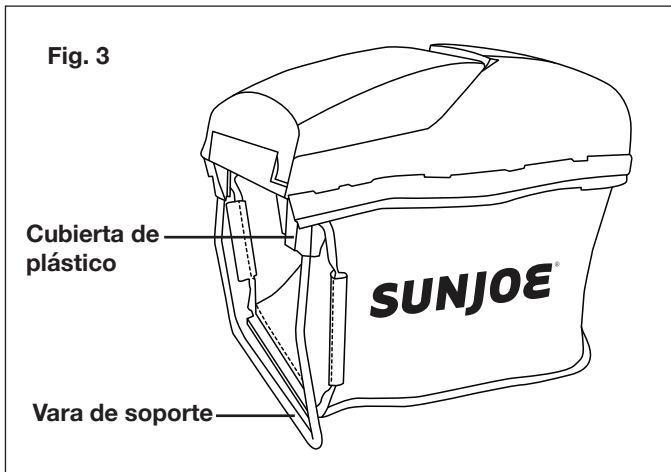


2. Junte el mango superior al mango inferior usando la tuerca de mariposa, arandela de plástico y perno suministrados (Fig. 2). Repita en el lado opuesto.

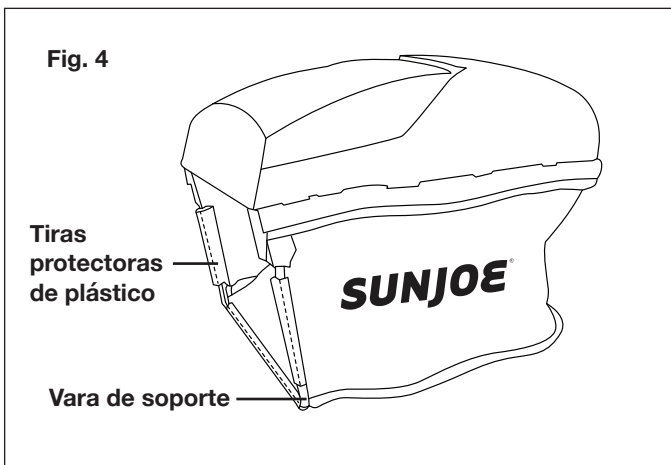


## Ensamblado y colocación de la bolsa recolectora para césped

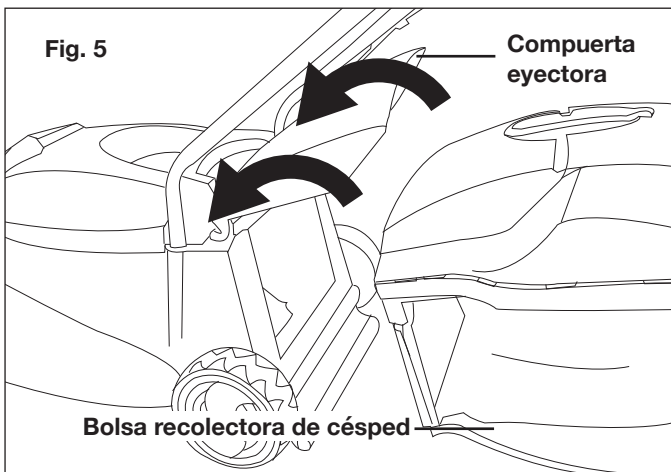
1. Coloque la vara de soporte dentro de los orificios en la cubierta plástica. El codo de la vara de soporte debe encarar la parte posterior de la máquina (Fig. 3).



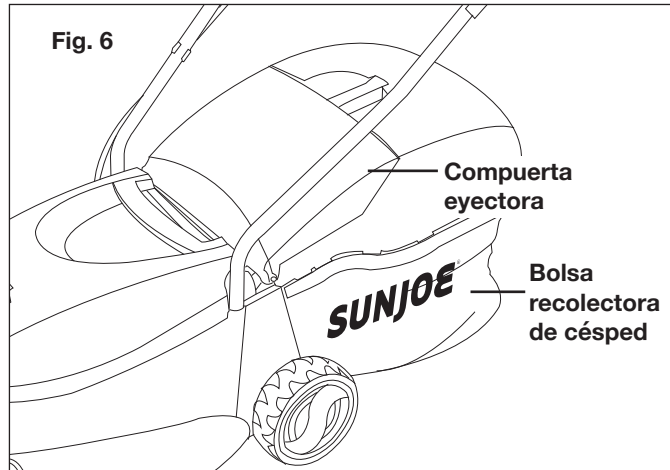
2. Coloque las tiras protectoras de plástico sobre la vara de soporte (Fig. 4).



3. Levante la compuerta de descarga con una mano. Con la otra mano, sostenga la bolsa recolectora de césped por su mango y engánchela desde arriba (Fig. 5).



4. Suelte la compuerta de descarga para asegurar la bolsa recolectora de césped en su posición (Fig. 6).



## Antes del uso

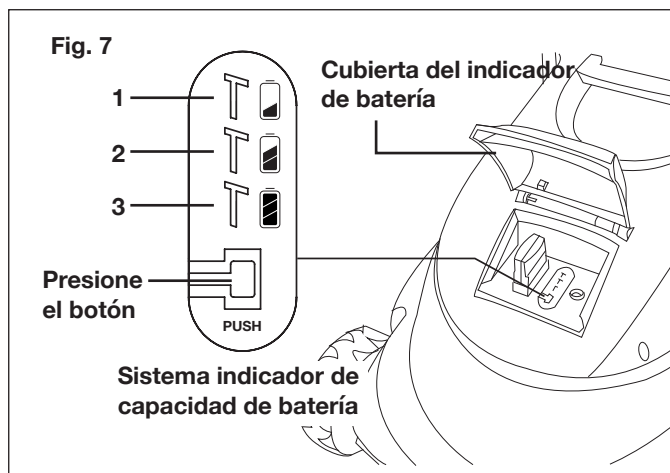
### Procedimiento de carga

El cargador de batería suministrado es compatible con la batería de iones de litio instalada en la herramienta. No use otros cargadores de batería.

La batería de iones de litio está protegida contra descargas en exceso. Cuando la batería esté completamente agotada, un circuito protector APAGARÁ de forma automática la podadora.

Cargue la batería hasta por 5.5 horas, y luego úsela hasta que se agote (es decir, hasta que la herramienta empiece a trabajar con lentitud). Recargue hasta por 5.5 horas antes de volver a trabajar.

La podadora de césped inalámbrica está equipada con un sistema indicador de capacidad de batería, debajo de la cubierta del indicador de batería. Para verificar la capacidad de la batería, levante la cubierta del indicador de batería y presione el botón (Fig. 7). El indicador de batería indica el estado de la batería de la podadora de césped inalámbrica tal como se muestra en la siguiente tabla.



Luces LED iluminadas	Condición
1- Verde, 2- Amarillo, 3- Rojo	Cargada más del 60%.
1- No iluminada, 2- Amarillo, 3- Rojo	Cargada más del 30%.
1- No iluminada, 2- No Iluminada, 3- Rojo	Cargada menos del 30%. Necesita ser cargada.

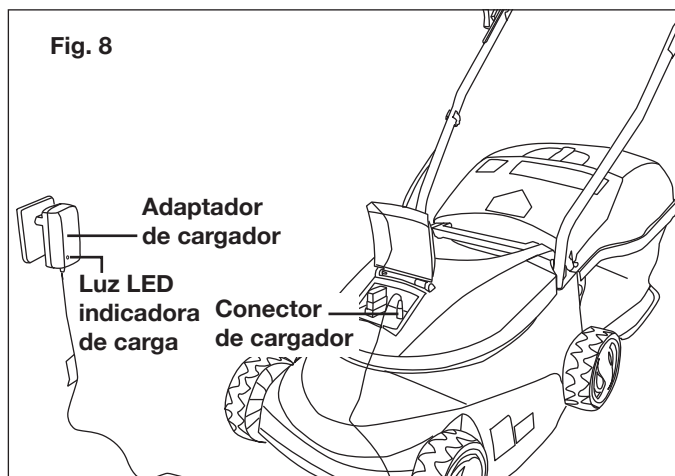
## Carga de batería

La batería en esta podadora de césped inalámbrica ha sido diseñada para brindar un máximo ciclo de vida útil sin problemas. Sin embargo, como todas las baterías, eventualmente se gastará. Para obtener el más prolongado ciclo de vida útil de su batería, recomendamos lo siguiente:

- Guarde y cargue su podadora de césped inalámbrica en un área fría. Las temperaturas por encima o debajo del rango de temperaturas ambiente reducirán el ciclo de vida útil de la batería.
- Nunca guarde la podadora de césped inalámbrica con la batería descargada. Recargue la batería inmediatamente luego de que haya sido descargada.
- Todas las baterías pierden gradualmente su carga. A más alta la temperatura, más rápido las baterías pierden su carga. Si usted almacena su podadora de césped inalámbrica por periodos prolongados de tiempo sin usarla, recargue la batería cada seis (6) meses. Esto extenderá el ciclo de vida útil de la batería.

**NOTA:** la podadora de césped inalámbrica ha sido empacada con carga baja y debe ser cargada por completo antes del uso.

1. Enchufe el adaptador del cargador en un tomacorriente CA apropiado. Conecte el conector del cargador en el receptáculo de carga de la podadora de césped inalámbrica para empezar a cargarla (Fig. 8).



2. La luz LED indicadora de carga en el cargador se iluminará en rojo para indicar que la carga se está realizando (Fig. 8).
3. La batería tomará aproximadamente 5.5 horas en cargarse. La luz LED indicadora de carga se tornará verde cuando la batería esté completamente cargada. Desenchufe el cargador inmediatamente cuando se encienda la luz verde.

**⚠ ¡PRECAUCIÓN!** Este cargador no se apaga de forma automática cuando la batería está completamente cargada. Tenga cuidado de no dejar la podadora de césped inalámbrica con el adaptador de carga enchufado al tomacorriente. Apague o desenchufe el cargador del tomacorriente cuando la carga haya sido completada.

**NOTA:** la luz LED indicadora de carga se iluminará en rojo cuando el cargador esté enchufado y cargando la podadora de césped inalámbrica. La luz se tornará verde cuando la podadora de césped inalámbrica esté completamente cargada.

El proceso de carga empieza tan pronto como el cargador está enchufado tanto al tomacorriente adecuado como a la herramienta.

- Durante el proceso de carga, la carcasa de la herramienta se sentirá ligeramente tibia al tacto. Esto es normal.
- Cuando no se planee el uso de la herramienta por un periodo prolongado de tiempo, desconecte el cargador de batería del tomacorriente y de la unidad.
- No utilice la podadora durante el proceso de carga.

## Operación

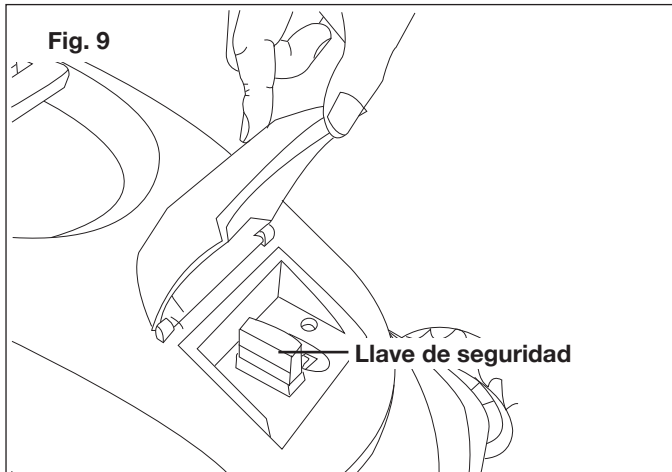
Esta podadora de césped inalámbrica está diseñada para el corte de césped en jardines y patios pequeños. Esta podadora no está destinada para cortar césped de parques públicos, campos de juego, granjas o bosques. No use esta podadora de césped inalámbrica para ninguna aplicación distinta a las aplicaciones para las cuales ha sido diseñada.

## Arranque + parada

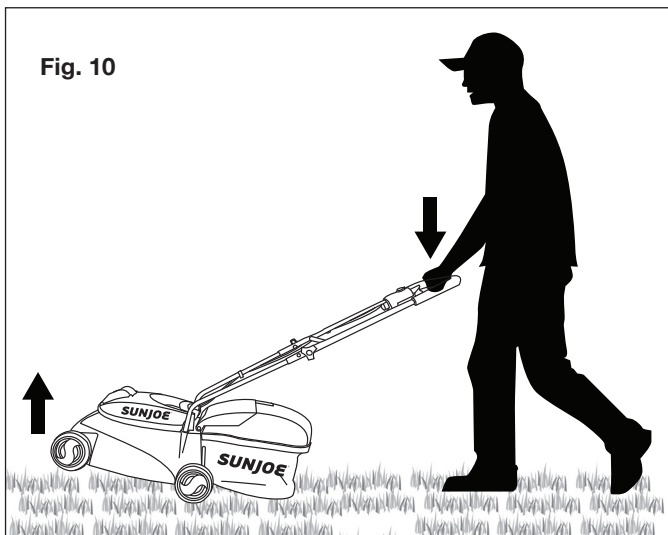
**⚠ ¡ADVERTENCIA!** Antes de encender la podadora de césped inalámbrica, asegúrese de que no esté en contacto con ningún objeto extraño. Mantenga sus manos y pies a una distancia segura de la cuchilla podadora giratoria y de la abertura del eyector. No obedecer estas advertencias podría causar lesiones personales severas.

**IMPORTANTE:** no encienda la podadora de césped inalámbrica sobre césped alto.

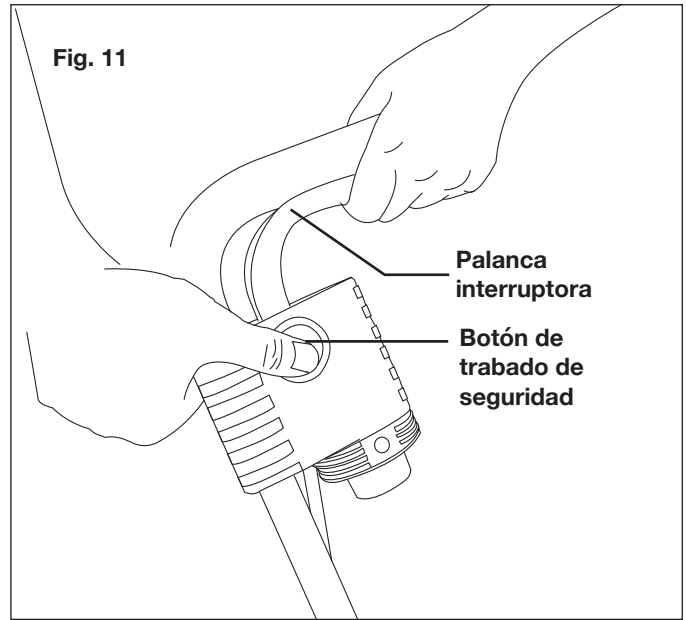
1. Antes de encender la unidad, inserte la llave de seguridad en la ranura (Fig. 9).



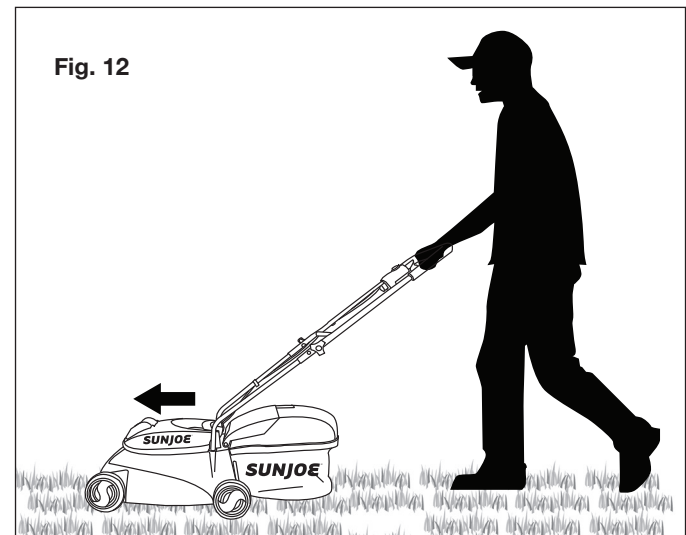
2. Antes de encender la podadora de césped inalámbrica, sujete el ensamblado del mango con ambas manos e incline el mango hacia abajo con el fin de levantar levemente el frente de la podadora de césped inalámbrica. Esto reducirá el riesgo de daños al césped durante el encendido (Fig. 10).



3. Para encender la podadora de césped inalámbrica, presione el botón de trabado de seguridad y, sin soltarlo, jale la palanca interruptora hacia usted (Fig. 11).



4. Una vez que la máquina se encienda, suelte el botón de trabado de seguridad y proceda con la operación, bajando cuidadosamente la podadora de césped inalámbrica a la posición de corte (Fig. 12).



5. Para detener la podadora de césped inalámbrica, suelte la palanca interruptora.

**⚠ ¡ADVERTENCIA!** La cuchilla podadora continuará girando por un breve periodo luego de que la unidad haya sido apagada. No incline ni transporte la unidad mientras el motor esté aún funcionando, ni toque la cuchilla cuando esta aún esté girando. No obedecer esta advertencia puede resultar en lesiones personales severas.

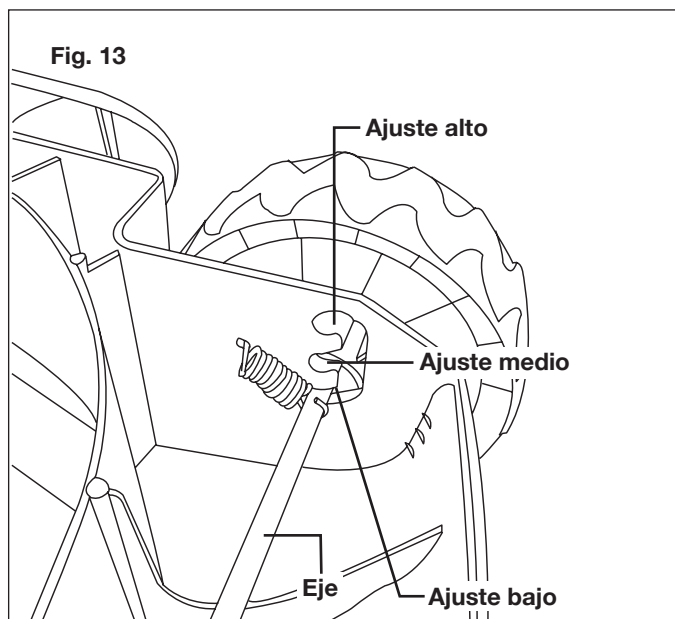
## Ajuste de la altura de corte

Siga estas instrucciones para ajustar la altura de corte de la podadora de césped inalámbrica.

**⚠ ¡ADVERTENCIA!** Antes de realizar estos ajustes, retire la llave de seguridad de la ranura para desconectar la alimentación hacia la podadora, y espere a que la cuchilla giratoria se detenga por completo. Se recomienda usar guantes debido a la proximidad de la cuchilla de corte.

OBEDEZCA SIEMPRE TODAS LAS PRECAUCIONES Y RECOMENDACIONES DE SEGURIDAD MENCIONADAS PREVIAMENTE EN ESTE MANUAL.

1. Apague la máquina y retire la llave de seguridad de la ranura.
2. Retire y vacíe la bolsa recolectora de césped.
3. Recueste la podadora de césped inalámbrica en uno de sus lados.



4. Los ejes de las ruedas pueden ser colocados en 3 diferentes alturas de corte: baja (cortará el césped lo más corto posible), media y alta.

### Ajuste de altura de tres posiciones (Fig. 13):

1. Baja: 1.18 plg (30 mm)
2. Media: 1.93 plg (49 mm)
3. Alta: 2.52 plg (64 mm)

La tolerancia de altura de corte es  $\pm 0.2$  plg ( $\pm 5$  mm).

5. Mueva las cuatro ruedas a la altura de corte deseada jalando hacia atrás cada eje y ajustándolo en la posición correcta. Asegúrese de que las cuatro ruedas estén en la misma posición de altura de corte.

**NOTA:** ajuste la podadora de césped inalámbrica a la mayor altura de corte al podar en terreno disparejo o con maleza.

6. Vuelva a colocar la podadora de césped inalámbrica sobre sus ruedas, y vuelva a instalar la bolsa recolectora de césped.
7. Inserte la llave de seguridad en la ranura y vuelva a usar la máquina con normalidad.

## Consejos para la poda

**⚠ ¡ADVERTENCIA!** Inspeccione el área antes del podado y retire todas las piedras, palos, alambres y otros objetos extraños que puedan ser recogidos y lanzados por la cuchilla giratoria. No hacerlo no solo dañará la cuchilla podadora sino también puede causar severas lesiones personales.

- Asegúrese de inspeccionar periódicamente la cuchilla podadora para ver si hay señales de desgaste, y afilarla al menos una vez por año, tal como se describe en la sección de mantenimiento.

**NOTA:** una cuchilla afilada mejorará de manera significativa el rendimiento de la podadora de césped inalámbrica, especialmente al cortar hojas altas de césped.

- Al cortar césped grueso, reduzca su velocidad de caminata para permitir un corte más efectivo y una descarga apropiada del césped cortado. Para un césped saludable, corte siempre un tercio o menos de la longitud total del césped. El césped deberá tener, en promedio, una altura de 1.5 plg a 2 plg (3.8 cm a 5 cm) durante los meses fríos, y más de 2 plg (5 cm) de alto durante los meses calurosos. Si hay crecimiento, el césped deberá ser cortado en el otoño.
- El césped se verá mejor si es siempre cortado a la misma altura y en direcciones alternas.
- Al cruzar cualquier superficie con grava, suelte la palanca interruptora para apagar la podadora de césped inalámbrica. Las piedras pueden ser recogidas y lanzadas por la cuchilla giratoria.
- Ajuste la podadora de césped inalámbrica a su altura más alta de corte al podar en terreno disparejo o con maleza.

**⚠ ¡ADVERTENCIA!** Si la podadora de césped inalámbrica golpea un objeto extraño, detenga el motor y desenchufe el cable de alimentación. Inspeccione minuciosamente la podadora y, de encontrar daños, repárela antes de volver a trabajar.

- **¡IMPORTANTE!** Nunca abra la compuerta eyectora cuando la bolsa haya sido retirada (para ser vaciada) y el motor aún esté funcionando. ¡Una cuchilla giratoria puede causar severas lesiones!
- Siempre ajuste cuidadosamente la compuerta eyectora y la bolsa recolectora de césped. Apague el motor antes de vaciar la bolsa recolectora de césped. Asegúrese de que siempre se mantenga una distancia segura (proporcionada por la longitud de los mangos largos) entre el usuario y la carcasa de la podadora de césped inalámbrica. Tenga especial cuidado al podar y cambiar de dirección en pendientes.

- Mantenga con sus pies una posición firme y use calzado resistente y antideslizante, y pantalones largos. Siempre pade a lo largo de una pendiente (nunca hacia arriba y abajo).
- Por motivos de seguridad, la podadora de césped inalámbrica no puede ser usada para podar pendientes cuyas gradientes excedan los 15°.
- Tenga especial cuidado al retroceder y jalar la podadora de césped inalámbrica hacia usted, ya que dicha maniobra con la máquina puede hacerlo tropezar.

## Cuidado y mantenimiento

**⚠ ¡ADVERTENCIA!** Antes de la limpieza, reparación o inspección de la podadora de césped inalámbrica, desconecte la fuente de alimentación retirando la llave de seguridad, y compruebe que todas las partes móviles se hayan detenido por completo.

### Cuidado general

- Mantenga siempre la podadora de césped inalámbrica limpia y libre de césped, tierra y otros residuos.
- Mantenga los mangos secos, limpios y sin aceites o grasas.
- Luego de cada sesión de podado, retire los recortes de césped y residuos acumulados usando un paño seco o cepillo de mano. Usted puede también limpiar el equipo con un paño húmedo y algo de detergente suave y no abrasivo. No use agentes de limpieza o solventes agresivos ya que pueden dañar los componentes plásticos en el equipo. Asegúrese de que no entre agua al interior del equipo, ya que el agua puede destruir el mecanismo interruptor y de conexión, así como el motor eléctrico.
- No limpie la podadora de césped inalámbrica con agua corriente, particularmente con agua a alta presión.
- Compruebe que todas las tuercas, pernos y tornillos estén ajustados apropiadamente antes de cada uso.
- Inspeccione frecuentemente el ensamblado de la bolsa recolectora de césped para detectar señales de desgaste, y reemplace inmediatamente con una parte genuina Snow Joe®+ Sun Joe® si se encuentran daños.
- Reemplace inmediatamente las partes gastadas en exceso o dañadas.
- Para maximizar la vida útil de su podadora de césped inalámbrica, todas las partes atornilladas, incluyendo ruedas y ejes, deben ser limpiadas y lubricadas. No hay partes dentro del equipo que requieran mantenimiento o lubricación adicional.

## Mantenimiento de la cuchilla

**IMPORTANTE:** la cuchilla podadora es afilada y puede causar severas lesiones personales si es manipulada incorrectamente. Envuelva la cuchilla o use guantes, y tenga especial cuidado al manipularla.

La cuchilla de acero está diseñada para proporcionar un corte fino en césped alto o grueso. El deterioro en la calidad de corte indica desgaste o daño de la cuchilla. Siga estos pasos para determinar si la cuchilla necesita ser reafilada o reemplazada:

1. Retire la llave de seguridad para desconectar la podadora de césped inalámbrica de su fuente de alimentación.
2. Voltee la podadora de césped inalámbrica sobre uno de sus lados para exponer la parte inferior de la carcasa de la cuchilla.
3. Inspeccione la cuchilla.
  - a. Si la cuchilla está desafilada o está algo gastada, afílela. Comuníquese con un centro de servicio Snow Joe® + Sun Joe® autorizado.
  - b. Si la cuchilla muestra señales de desgaste severo o daños (es decir, está abollada o doblada), reemplácela. Para obtener ayuda, comuníquese con la central de servicio al cliente Snow Joe® + Sun Joe® llamando al 1-866-SNOWJOE (1-866-766-9563).

**⚠ ¡ADVERTENCIA!** Una podadora de césped inalámbrica que vibra en exceso indica que la cuchilla no está balanceada adecuadamente o se ha deformado debido a que golpeó un objeto. En este caso, la cuchilla debe ser reparada o reemplazada. Siga los procedimientos adecuados de mantenimiento para el cuidado de la cuchilla, o comuníquese con la central de servicio al cliente Snow Joe®+ Sun Joe® al 1-866-SNOWJOE (1-866-766-9563) para recibir asistencia.

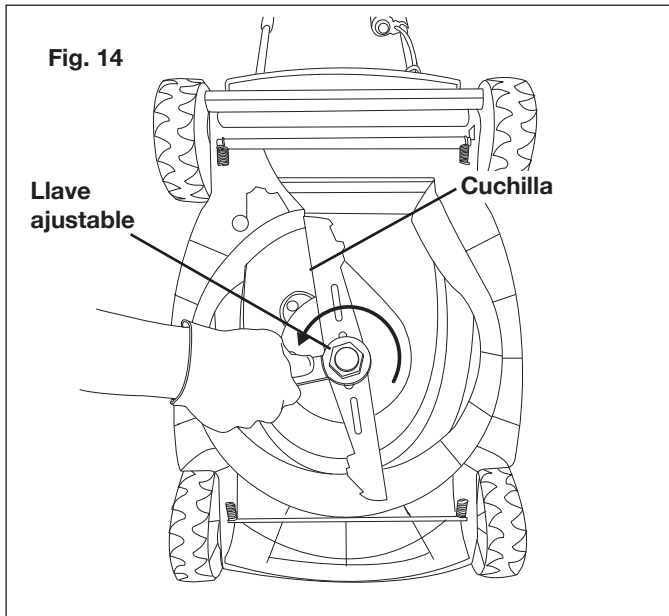
## Reemplazo de cuchilla

**IMPORTANTE: use solo partes de repuesto originales especificadas para esta podadora de césped inalámbrica.**

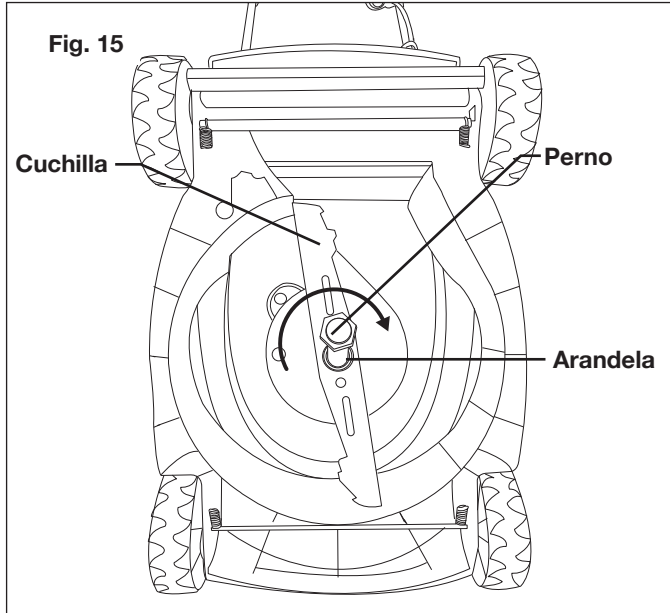
Usted puede comprar una cuchilla de repuesto (Modelo MJ401C-BLD) y otras partes de repuesto originales ordenando en línea en [sunjoe.com](http://sunjoe.com) o por teléfono llamando a nuestra línea gratuita 1-866-SNOWJOE (1-866-766-9563). El uso de partes que no cumplan con las especificaciones del equipo original puede provocar un funcionamiento incorrecto de la podadora de césped inalámbrica, comprometer la seguridad del operador, e invalidar la garantía del fabricante.

1. Retire la llave de seguridad de la podadora de césped inalámbrica.
2. Voltee la podadora de césped inalámbrica sobre uno de sus lados para exponer la parte inferior de la carcasa de la cuchilla.
3. Use un paño para sujetar la cuchilla, o use guantes de alta resistencia.

- Usando la llave ajustable incluida, retire el perno y la arandela que aseguran la cuchilla girando el perno en sentido antihorario, y luego retire cuidadosamente la cuchilla (Fig. 14).



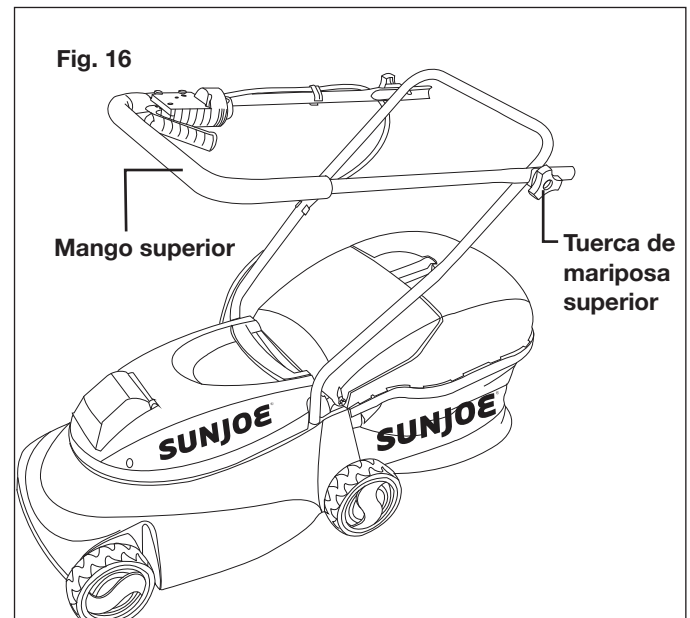
- Coloque la nueva cuchilla, la arandela y el perno de vuelta, siguiendo los mismos pasos pero en orden inverso (Fig. 15).



## Almacenamiento

Siga los pasos a continuación con el fin de preparar la podadora de césped inalámbrica para su almacenamiento:

- Retire la llave de seguridad de la ranura.
- Limpie la podadora de césped inalámbrica con un paño húmedo o cepillo de mano.
- Inspeccione cuidadosamente la podadora de césped inalámbrica en busca de partes gastadas, sueltas o dañadas. Verifique las conexiones y tornillos, y ajústelos de ser necesario. Preste especial atención a la cuchilla podadora y reemplácela o reafilela si presenta señales de desgaste. Consulte la sección de mantenimiento y cuidado.
- Guarde la podadora de césped inalámbrica en interiores en un área seca, limpia, fría y fuera del alcance de los niños. No guarde la unidad cerca de materiales corrosivos tales como fertilizantes y sal de roca.
- No cubra la podadora de césped inalámbrica con una cubierta sólida de plástico. Las cubiertas de plástico atrapan humedad alrededor de la podadora de césped inalámbrica, la cual puede corroerse.
- El mango de su podadora de césped inalámbrica puede ser plegado para un almacenamiento compacto. Empiece aflojando las tuercas de mariposa en cada lado del mango superior, y plieguelo (Fig. 16).



# Eliminación

## Reciclaje y eliminación

La podadora de césped inalámbrica viene en un empaquetado que la protege contra daños durante el transporte. Conserve el empaquetado hasta que usted esté seguro de que todas las partes hayan venido en este y que la podadora esté funcionando adecuadamente. Luego, recicle el empaquetado o consérvelo para un almacenamiento a largo plazo.



Símbolo WEEE. Los productos eléctricos no deben ser desechados en la basura doméstica. Recíclelos donde hayan instalaciones para esto. Consulte con las autoridades locales o tienda local para saber sobre las normas de reciclaje.

## Precaución y eliminación de la batería

Deshágase de su batería de acuerdo con los reglamentos federales, estatales y locales. Contacte a un servicio de reciclaje en su área para informarse sobre los centros de reciclaje.

**⚠ ¡PRECAUCIÓN!** Incluso las baterías descargadas contienen algo de energía. Antes de deshacerse de éstas, use cinta aislante para cubrir los terminales y evitar que la batería haga cortocircuito, lo cual puede causar una explosión o incendio.

**⚠ ¡ADVERTENCIA!** Para reducir el riesgo de lesión o explosión, nunca queme o incinere una batería, incluso si está dañada, inservible o completamente descargada. Al ser quemada, los humos y materiales tóxicos son emitidos a la atmósfera circundante.

1. Las baterías varían de acuerdo al dispositivo. Consulte su manual para obtener la información específica.
2. Instale solo nuevas baterías del mismo tipo en su producto (donde corresponda).
3. No insertar las baterías con la polaridad correcta, tal como se indica en el compartimento de la batería o en el manual, puede reducir el ciclo de vida útil de las baterías o causar fugas en las baterías.
4. No combine baterías nuevas con antiguas.
5. No combine baterías alcalinas, estándar (de zinc-carbono) o recargables (de níquel-cadmio, de níquel-hidruro metálico o de iones de litio).
6. No arroje las baterías al fuego.
7. Las baterías deben ser recicladas o desechadas según los reglamentos locales y estatales.

# Servicio y soporte

Si su podadora de césped inalámbrica MJ401C-XR de Sun Joe® requiere servicio o mantenimiento, llame al 1-866-SNOWJOE (1-866-766-9563) para obtener ayuda.

## Modelo y número de serie

Al contactar a la empresa o al ordenar partes de repuesto, usted necesitará proveer el modelo y el número de serie de su producto. Estos se encuentran en la etiqueta pegada a la cubierta o guarda de su podadora de césped inalámbrica. Copie estos números en el espacio proporcionado a continuación.


Registre los siguientes números que se encuentran en la carcasa o mango de su nuevo producto:

Modelo:													
M	J	4	0	1	C	-	X	R					
Nº de serie:													



# iCHRG28-AC

## Federal Communications Commission (Comisión Federal de Comunicaciones o FCC):

 **¡ADVERTENCIA!** Cualquier cambio o modificación a esta unidad no aprobados expresamente por la parte responsable del cumplimiento pueden hacer que el usuario pierda el derecho de utilizar el equipo

### Dispositivo Clase B:

**NOTA:** este equipo ha sido probado y cumple con los límites de la Clase B de dispositivos digitales, de acuerdo con la Parte 15 de las normas de la FCC.

Estos límites están diseñados para proporcionar protección razonable contra interferencia dañina en una instalación residencial.

Este equipo genera, usa y puede irradiar energía de radiofrecuencia y, si no se instala y utiliza de acuerdo con las instrucciones, puede provocar interferencias perjudiciales en las comunicaciones radiofónicas.

No obstante, no hay garantía alguna de que no se produzcan interferencias en una instalación concreta.

Si este equipo llegara a causar interferencia perjudicial para la recepción de radio o televisión, lo que se puede determinar apagando y encendiendo el equipo, se recomienda que el usuario trate de corregir la interferencia tomando una o más de las siguientes medidas:

- Reoriente o re-ubique la antena de recepción.
- Aumente la distancia entre el equipo y el receptor.
- Conecte el equipo a una salida correspondiente a un circuito diferente de aquel al que está conectado el receptor.
- Consulte a un comerciante o a un técnico experimentado de radio y televisión.

# Solución de problemas

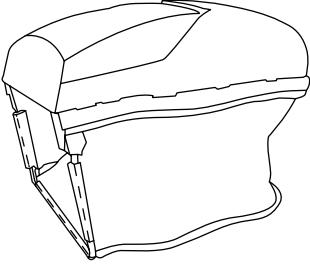
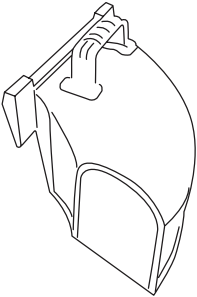
- Retire la llave de seguridad antes de llevar a cabo cualquier tarea de mantenimiento en la podadora de césped inalámbrica o verificar que sus partes estén funcionando correctamente.
- Para evitar complicaciones innecesarias, revise la siguiente tabla antes de ponerse en contacto con la central de servicio al cliente por cualquier problema mecánico.

Problema	Causa posible	Solución
La podadora de césped inalámbrica no enciende.	<ul style="list-style-type: none"> <li>a) La llave de seguridad no está insertada.</li> <li>b) El control del motor/cuchilla está desactivado.</li> <li>c) La batería está baja.</li> <li>d) La plataforma de podado está obstruida con césped o residuos.</li> <li>e) El césped es demasiado alto.</li> </ul>	<ul style="list-style-type: none"> <li>a) Inserte la llave de seguridad.</li> <li>b) Presione primero el botón de trabado de seguridad, y luego jale la palanca interruptora.</li> <li>c) Cargue la batería.</li> <li>d) Limpie la plataforma de podado. Asegúrese de que la cuchilla se mueva libremente.</li> <li>e) Configure la podadora de césped inalámbrica a una altura mayor de corte. Levante levemente las ruedas frontales empujando hacia abajo el manillar.</li> </ul>
La podadora de césped inalámbrica se detiene mientras poda.	<ul style="list-style-type: none"> <li>a) La batería está baja.</li> <li>b) El césped es demasiado alto.</li> <li>c) La plataforma de podado está obstruida con césped o residuos.</li> <li>d) La máquina está sobrecargada, y el sistema de protección contra sobrecargas la ha apagado.</li> </ul>	<ul style="list-style-type: none"> <li>a) Cargue la batería.</li> <li>b) Restablezca la altura de corte.</li> <li>c) Limpie la plataforma de podado. Asegúrese de que la cuchilla se mueva libremente.</li> <li>d) Deje que la máquina se enfríe por cinco (5) minutos. Espere a que la protección contra sobrecargas restablezca la máquina.</li> </ul>
La podadora de césped inalámbrica no puede cortar césped de forma pareja.	<ul style="list-style-type: none"> <li>a) El césped está grueso o disperejo.</li> <li>b) La cuchilla no está lo suficientemente afilada.</li> </ul>	<ul style="list-style-type: none"> <li>a) Ajuste la altura de corte.</li> <li>b) Afile o reemplace la cuchilla.</li> </ul>
La podadora de césped inalámbrica no puede triturar adecuadamente.	<ul style="list-style-type: none"> <li>a) La plataforma de podado está obstruida con césped o residuos.</li> <li>b) El césped está demasiado mojado.</li> <li>c) El césped es demasiado alto.</li> <li>d) La cuchilla no está lo suficientemente afilada.</li> </ul>	<ul style="list-style-type: none"> <li>a) Limpie la plataforma de podado. Asegúrese de que la cuchilla se mueva libremente.</li> <li>b) Espere a que el césped se seque.</li> <li>c) Ajuste la altura de corte a la posición más alta para podar por primera vez, y vuelva a podar a la altura deseada.</li> <li>d) Afile o reemplace la cuchilla.</li> </ul>
La podadora de césped inalámbrica es difícil de empujar.	<ul style="list-style-type: none"> <li>a) El césped es demasiado alto para ser cortado.</li> <li>b) La cuchilla o la parte trasera de la podadora arrastran césped acumulado.</li> </ul>	<ul style="list-style-type: none"> <li>a) Aumente la altura de corte.</li> </ul>
La podadora de césped inalámbrica vibra a altas velocidades.	<ul style="list-style-type: none"> <li>a) El eje del motor está doblado.</li> <li>b) La cuchilla está desbalanceada.</li> <li>c) El tornillo de la cuchilla está aflojado.</li> </ul>	<ul style="list-style-type: none"> <li>a) Detenga el motor, retire la llave de seguridad, e inspeccione los daños. Comuníquese con la central de servicio al cliente Snow Joe® + Sun Joe® llamando al 1-866-SNOWJOE (1-866-766-9563).</li> <li>b) Balancee la cuchilla afilando cada borde de corte equitativamente, o reemplácela con una nueva.</li> <li>c) Ajuste el perno de la cuchilla.</li> </ul>

Solo un especialista de la empresa puede ser capaz de corregir fallas que no puedan ser corregidas con la ayuda de esta tabla. Comuníquese con la central de servicio al cliente Snow Joe® + Sun Joe® llamando al 1-866-SNOWJOE (1-866-766-9563).

## Accesorios opcionales

**⚠ ¡ADVERTENCIA!** USE SIEMPRE solo partes de repuesto y accesorios Snow Joe® + Sun Joe®. Nunca use partes de repuesto o accesorios que no estén destinados para su uso con esta herramienta. Comuníquese con Snow Joe® + Sun Joe® si tiene dudas sobre si es seguro usar una parte de repuesto o accesorio en particular con su herramienta. El uso de cualquier otro accesorio o parte puede ser peligroso y puede causar lesiones personales o daños mecánicos.

Accesorio	Descripción	Modelo
<p>①</p> 	<p>Bolsa recolectora de césped de 10.6 gal (40 L)</p>	<p>MJ401E-10</p>
<p>②</p> 	<p>Accesorio de conducto de descarga lateral de podadora de césped inalámbrica de césped</p>	<p>MJ401E-DCA</p>

**NOTA:** los accesorios están sujetos a cambios sin obligación alguna por parte de Snow Joe® + Sun Joe® de notificar sobre dichos cambios. Los accesorios pueden ser pedidos en línea en [sunjoe.com](http://sunjoe.com) o vía telefónica llamando a la central de servicio al cliente Snow Joe® + Sun Joe® al 1-866-SNOWJOE (1-866-766-9563).



## LA PROMESA DE SNOW JOE® + SUN JOE® AL CLIENTE

**POR SOBRE TODO**, en Snow Joe, LLC (“Snow Joe”) estamos dedicados a usted, nuestro cliente. Nos esforzamos por hacer que su experiencia sea lo más placentera posible. Desafortunadamente, hay veces en que un producto Snow Joe®, Sun Joe®, o Aqua Joe® (el “Producto”) no funciona o sufre un desperfecto bajo condiciones normales de operación. Creemos que es importante que usted sepa que puede confiar en nosotros. Es por eso que tenemos esta Garantía Limitada (la “Garantía”) para nuestros Productos.

### **NUESTRA GARANTÍA:**

Snow Joe garantiza que sus Productos motorizados y no motorizados, nuevos y genuinos, están libres de defectos materiales o de mano de obra al ser usados en tareas domésticas normales durante un periodo de dos (2) años a partir de la fecha de compra por parte del comprador original y usuario final, cuando este último los compra a través de Snow Joe o un vendedor autorizado por Snow Joe y ha obtenido un comprobante de compra. Ya que Snow Joe no puede controlar la calidad de sus Productos vendidos por vendedores no autorizados, a menos que la ley lo prohíba esta Garantía no cubre Productos adquiridos a través de vendedores no autorizados. Si su Producto no funciona, o hay un problema con una parte específica que está cubierta por los términos de esta Garantía, Snow Joe elegirá entre: (1) enviarle una parte de repuesto gratuita; (2) reemplazar el Producto con uno nuevo o similar sin costo alguno; o (3) reparar el Producto. ¡Un excelente soporte!

**Esta Garantía le da derechos legales específicos, y usted puede también tener otros derechos según el Estado.**

### **REGISTRO DEL PRODUCTO:**

Snow Joe le recomienda enfáticamente registrar su Producto. Usted puede registrar su Producto en línea visitando [snowjoe.com/register](http://snowjoe.com/register), imprimiendo y enviando por correo una tarjeta de registro disponible en línea en nuestro sitio Web, llamando a nuestra central de servicio al cliente al **1-866-SNOWJOE (1-866-766-9563)**, o enviándonos un e-mail a [help@snowjoe.com](mailto:help@snowjoe.com). Si usted no registra su Producto sus derechos de garantía no disminuirán; sin embargo, registrar su Producto permitirá que Snow Joe le pueda atender mejor si usted tiene alguna necesidad como cliente.

### **¿QUIÉN PUEDE SOLICITAR COBERTURA DE GARANTÍA LIMITADA?**

Esta Garantía es otorgada por Snow Joe al comprador original y propietario original del Producto.

### **¿QUÉ NO ESTÁ CUBIERTO?**

Esta Garantía no se aplica si el Producto ha sido usado de forma comercial o en aplicaciones no domésticas o de alquiler. Esta Garantía tampoco se aplica si el Producto fue adquirido desde un vendedor no autorizado. Esta garantía tampoco cubre cambios cosméticos que no afecten el funcionamiento del Producto. Las partes desgastables como correas, brocas y cuchillas no están cubiertas por esta Garantía, y pueden ser compradas visitando [snowjoe.com](http://snowjoe.com) o llamando al **1-866-SNOWJOE (1-866-766-9563)**.





# TONDEUSE À GAZON SANS CORDON

28 V | 5,0 Ah | 35,6 cm

**MANUEL D'UTILISATION**Une division de Snow Joe<sup>®</sup>, LLC**Modèle MJ401C-XR**

Formulaire n° SJ-MJ401C-XR-880F-MR5

## IMPORTANT!

### Consignes de sécurité

### Tous les utilisateurs doivent lire ces instructions avant d'utiliser la machine

Suivez toujours ces consignes de sécurité. Ne pas s'y conformer peut entraîner de graves blessures pouvant même être fatales.

### AVERTISSEMENTS d'ordre général en matière de sécurité!

Quand vous utilisez cette tondeuse à gazon sans cordon, les précautions de sécurité de base doivent toujours être suivies pour réduire le risque d'incendie, d'électrocution ou de blessure corporelle. Parmi ces précautions figurent les avertissements suivants :

**⚠️ AVERTISSEMENT!** Ne pas utiliser sans que le sac à herbe complet, le déflecteur de protection de décharge, la protection arrière ou d'autres dispositifs de protection et de sécurité soient en place et en bon ordre de marche.

**⚠️ AVERTISSEMENT!** L'utilisation de tout autre accessoire ou pièce attachée pourrait augmenter le risque de blessure.

**⚠️ AVERTISSEMENT!** Pour réduire le risque de blessure, inspecter fréquemment l'ensemble sac à herbe et le remplacer par une pièce recommandée s'il présente des signes d'usure ou de détérioration.

Avant d'utiliser la tondeuse, prenez le temps de vous familiariser avec les commandes, spécialement la façon d'arrêter la tondeuse en cas d'urgence. Les seules personnes qui devraient utiliser la tondeuse sont celles qui comprennent parfaitement les instructions et qui savent comment utiliser la machine. Les enfants ne devraient jamais être autorisés à avoir accès à la tondeuse.

Conservez ce manuel pour le consulter éventuellement dans le futur et relisez-le au début de chaque saison de tonte des pelouses.

**⚠️ AVERTISSEMENT!** Tout contact avec des pièces mobiles peut être cause d'un happement, de mutilation ou d'autres blessures graves. Toujours maintenir les parties

du corps (c.-à-d., les mains, les pieds) à bonne distance des pièces mobiles. Avant utilisation de la machine, s'assurer que tous les éléments couvrants et dispositifs de protection sont bien en place.

Les surfaces chaudes (c.-à-d., le moteur) peuvent enflammer des éléments inflammables ou combustibles et déclencher un incendie ou une explosion, ce qui peut être à l'origine de graves blessures corporelles. Maintenir la tondeuse à bonne distance des éléments inflammables ou combustibles tant que les surfaces qui sont chaudes n'ont pas complètement refroidi. Ne pas remiser la tondeuse à proximité d'éléments inflammables ou combustibles.

Une lame endommagée ou un écrou de lame usé peut briser l'ensemble tondeuse et entraîner de graves blessures. Remplacer la lame ou l'écrou de lame endommagé avant d'utiliser la tondeuse.

- 1. Éviter les situations dangereuses** – N'utilisez pas la tondeuse sous la pluie ou quand l'herbe est trempée ou humide.
- 2. Maintenir les enfants, les spectateurs et les animaux familiers à bonne distance** – Tenez toujours les enfants et les spectateurs à bonne distance de la tondeuse pendant son utilisation et quand le moteur refroidit.
- 3. S'habiller en conséquence** – Portez toujours un équipement de protection individuelle (c.-à-d., des lunettes, des gants en caoutchouc, des chaussures de protection et un masque protecteur contre la poussière) et des vêtements appropriés quand vous utilisez la tondeuse. Les vêtements amples, les cheveux longs ou les bijoux peuvent se prendre dans les pièces mobiles.
- 4. Utiliser une machine adaptée au travail à faire** – N'utilisez pas la tondeuse à gazon pour un travail autre que celui pour lequel elle est destinée.
- 5. Ne pas forcer la tondeuse à gazon** – Elle fonctionnera mieux, sera moins dangereuse et moins susceptible de tomber en panne si elle est utilisée au régime pour lequel elle a été conçue.
- 6. Ne pas s'arc-bouter** – Restez en permanence sur les deux pieds pour ne pas perdre l'équilibre.
- 7. Rester vigilant** – Soyez toujours à l'affût et surveillez ce que vous faites. Faites preuve de bon sens. N'utilisez pas la tondeuse à gazon quand vous êtes fatigué ou si vous avez consommé de l'alcool ou de la drogue.

8. **Débrancher la tondeuse à gazon de la source d'alimentation électrique** – Arrêtez la machine et retirez la clé de sécurité quand vous ne l'utilisez pas, avant d'intervenir dessus, quand vous changez d'accessoire ou quand vous effectuez toute autre tâche d'entretien.
9. **Remiser la tondeuse à gazon à l'intérieur quand elle n'est pas utilisée** – Si vous ne l'utilisez pas, la tondeuse à gazon doit être remise à l'intérieur dans un endroit sec, sous clé et hors de portée des enfants.
10. **Effectuer avec soin l'entretien de la tondeuse à gazon** – Pour qu'ils puissent être utilisés au mieux de leur rendement et sans danger, maintenez les tranchants affûtés et propres.
11. **Utilisez un équipement de protection individuel. Portez toujours des lunettes de protection** – Des équipements de protection, par exemple des lunettes de sécurité, un masque protecteur contre la poussière, des chaussures de sécurité antidérapantes, un casque de protection ou une protection de l'ouïe, utilisés dans les conditions appropriées, réduiront le risque de se blesser.
12. **Prévenez les démarrages accidentels** – Avant d'insérer la clé de sécurité, ou avant de saisir la machine ou la transporter, assurez-vous que l'interrupteur est sur la position d'arrêt. Transporter une machine électrique en maintenant le doigt sur l'interrupteur ou la recharger quand l'interrupteur est sur la position de marche peut être source d'accidents.
13. **Retirez toute clé de réglage ou autre clé avant de mettre en marche une machine électrique** – Toute clé de réglage ou autre qui reste attachée à une pièce mobile de machine électrique peut blesser.
14. **Maintenez les lames de coupe bien affûtées et propres** – Les lames de coupe bien entretenues et aux tranchants affûtés sont moins susceptibles de se gripper et sont plus faciles à contrôler.
15. **Maintenez toutes les parties du corps éloignées de la lame de coupe** – Quand la lame est en mouvement, rien ne doit être retiré ou tenu à la main pour être coupé. Quand vous essayez de débloquer la lame, assurez-vous que le bouton-poussoir est sur la position d'arrêt. Quand vous utilisez la machine, un moment d'inattention peut se traduire par de graves blessures.
16. Si la tondeuse à gazon heurte quoi que ce soit, suivez ces étapes :
  - i) Arrêtez la tondeuse à gazon en relâchant le levier-interrupteur marche/arrêt.
  - ii) Retirez la clé de sécurité.
  - iii) Vérifiez si la machine n'est pas endommagée.
  - iv) Réparez tout dommage avant de redémarrer et d'utiliser à nouveau la tondeuse à gazon.
17. Utilisez uniquement des lames de rechange identiques et des pièces d'origine.
18. Maintenez les dispositifs de sécurité en place et en bon

## Sécurité électrique

1. Si le câble du chargeur de batterie est endommagé, veuillez appeler le service clientèle Snow Joe® + Sun Joe® au 1-866-SNOWJOE (1-866-766-9563).
2. S'il vous est impossible d'éviter de charger l'outil ou la machine électrique dans un endroit humide, utilisez une alimentation électrique protégée par un dispositif différentiel à courant résiduel. Ce type de dispositif de protection réduit le risque d'électrocution.
3. Évitez tout contact du corps avec tout ce qui est mis à la terre, p. ex., tuyaux, radiateurs, fourneaux de cuisine et réfrigérateurs. Il y a un risque accru d'électrocution si votre corps est relié à la terre.
4. **N'utilisez pas les outils ou machines électriques sous la pluie ou par forte humidité.** L'eau qui pénètre dans un outil ou une machine électrique augmente le risque d'électrocution.
5. **N'utilisez pas le cordon de charge à mauvais escient.** N'utilisez jamais le cordon pour transporter, tirer ou débrancher le chargeur. Maintenez le cordon éloigné de la chaleur, de l'huile, d'arêtes tranchantes ou de pièces mobiles. Les cordons endommagés ou emmêlés augmentent le risque d'électrocution.
6. Le chargeur de batterie est conçu pour être utilisé uniquement à l'intérieur. Ne chargez pas la tondeuse à gazon sous la pluie ou dans les endroits humides.

## Avertissements de sécurité concernant les batteries

Ce manuel contient des consignes d'utilisation et de sécurité pour votre batterie et son chargeur.

1. Avant d'utiliser le chargeur, lisez attentivement toutes les instructions et les étiquettes de mise en garde sur le chargeur, la batterie et la machine.

**⚠️ AVERTISSEMENT!** Si le caisson de la tondeuse à gazon est fissuré ou endommagé, ne pas brancher l'adaptateur de charge dans la machine électrique ou le brancher sur le secteur. Il y a danger d'électrocution.

2. Ce chargeur est UNIQUEMENT destiné à charger cette batterie rechargeable. Toute autre utilisation présente un danger d'incendie ou d'électrocution.
3. Ne placez rien sur la partie supérieure du chargeur et ne posez pas non plus le chargeur sur une surface molle, l'intérieur du chargeur pouvant dégager une chaleur excessive. Maintenez le chargeur éloigné de toute source de chaleur.
4. Pour réduire le risque d'endommager la fiche électrique et le cordon, tirez sur la fiche et non sur le cordon quand vous débranchez le chargeur de la prise.
5. Assurez-vous que le câble de charge de batterie est dans un endroit ne présentant aucun danger, où personne ne pourra marcher dessus, trébucher, l'endommager ou tirer dessus involontairement.



6. Il ne faut pas utiliser de rallonge électrique à moins de nécessité absolue. L'utilisation inappropriée d'une rallonge électrique présente un danger d'incendie ou d'électrocution.
7. N'utilisez pas le chargeur s'il a reçu un choc sérieux ou s'il a été endommagé d'une façon ou d'une autre. Avant de continuer à l'utiliser, communiquez avec le service clientèle Snow Joe® + Sun Joe® en appelant le 1-866-SNOWJOE (1-866-766-9563).
8. Ne démontez pas le chargeur. Si le chargeur nécessite un entretien ou une réparation, veuillez communiquer avec un revendeur Snow Joe® + Sun Joe® ou appeler le service à la clientèle Snow Joe® + Sun Joe® au 1-866-SNOWJOE (1-866-766-9563). Tout remontage mal effectué présente un danger d'électrocution ou d'incendie.
9. Pour réduire le risque d'électrocution, débranchez le chargeur de la prise avant de nettoyer la machine.
10. N'essayez jamais de brancher deux (2) chargeurs ensemble.
11. NE PAS ranger ou utiliser la machine et le bloc-batterie dans les endroits où la température peut être égale ou supérieure à 40 °C. Parmi les endroits dangereux où ranger la machine ou le bloc-batterie figurent les remises de jardin ou les cabanons en métal l'été.
12. Le chargeur est conçu pour se brancher dans une prise de secteur domestique standard (120 - 240 V AC). N'essayez pas de le brancher dans une prise de tension différente!
 

**REMARQUE :** la batterie intégrée n'est pas complètement chargée quand on sort la tondeuse de la caisse. Lisez les consignes de sécurité et suivez les instructions et les procédures pour la charger.
13. La batterie intégrée aura une durée de vie plus longue et un rendement optimal si elle est chargée quand la température ambiante est entre 18 °C et 24 °C. Ne chargez pas le bloc-batterie quand la température ambiante est inférieure à 10 °C ou supérieure à 40 °C. En suivant ces mesures de sécurité, vous éviterez d'endommager le bloc-batterie.
14. N'incinerez pas le bloc-batterie intégré, même s'il est gravement endommagé ou complètement usé. Le bloc-batterie peut exploser quand on le jette au feu.

## IMPORTANT!

### Consignes de sécurité pour les tondeuses à pousser

#### Généralités concernant l'utilisation

- Avant de démarrer, lisez, comprenez et suivez toutes les instructions sur la machine et dans le ou les manuels.
- Ne mettez ni les mains ni les pieds sous la machine. Tenez-vous toujours à l'écart de l'ouverture d'éjection.
- Seuls les adultes responsables et familiarisés avec les instructions devraient être autorisés à utiliser cette machine.
- Débarrassez la zone à tondre de tout corps étranger, par exemple les roches, fils, jouets et autres éléments divers, susceptibles d'être ramassés et projetés par la lame. Restez derrière le guidon pendant que le moteur tourne.
- Avant de démarrer la machine, assurez-vous qu'il n'y a plus aucun spectateur dans la zone à tondre. Arrêtez la machine si quelqu'un pénètre dans la zone à tondre.
- N'utilisez pas la machine pieds nus ou si vous portez des sandales. Portez toujours des chaussures suffisamment montantes.
- Regardez toujours vers le bas et l'arrière quand vous utilisez la tondeuse à reculons.
- Ne dirigez jamais les matières rejetées en direction de quiconque. Évitez de diriger les matières rejetées contre un mur ou tout autre obstacle.
- N'utilisez pas la machine sans que la totalité du sac à herbe, le déflecteur de protection de décharge, la protection arrière ou les autres dispositifs de sécurité soient en place et en bon ordre de marche.
- Ne laissez jamais sans surveillance une machine dont le moteur tourne.
- Arrêtez le moteur et attendez jusqu'à ce que la lame s'arrête complètement avant de nettoyer la machine, de retirer le sac à herbe ou de déboucher le déflecteur de protection de décharge.
- Utilisez la machine uniquement à la lumière du jour ou sous un bon éclairage artificiel.
- N'utilisez pas la machine quand vous êtes fatigué ou si vous avez consommé de l'alcool ou de la drogue.
- N'utilisez jamais la tondeuse dans de l'herbe humide. Assurez-vous toujours vos pas; marchez, ne courez jamais quand vous utilisez la tondeuse.
- Si la machine commence à vibrer d'une manière anormale, arrêtez le moteur et inspectez immédiatement la machine pour rechercher ce qui est à l'origine des vibrations. Les vibrations sont généralement des signes précurseurs d'un problème.
- Maintenez les lames affûtées.
- Gardez les mains et les pieds à bonne distance de l'ensemble de coupe.

- Portez toujours des lunettes de protection quand vous utilisez la machine.
- Tout ce qui est heurté par la lame de la tondeuse à gazon peut provoquer de graves blessures. Avant chaque tonte de pelouse, la zone à tondre doit toujours être inspectée attentivement et débarrassée de tout corps étranger.

## Utilisation sur terrain pentu

Les terrains pentus sont la cause majeure d'accidents dus à des glissades ou à des chutes et des graves blessures qu'ils peuvent entraîner. L'utilisation d'une tondeuse sur terrain pentu exige une extrême vigilance. Si vous ne vous sentez pas à l'aise sur un terrain pentu, ne le tondez pas.

- Tondez en travers de la pente, jamais en montant ou en descendant. Faites preuve d'une extrême prudence quand vous changez de direction sur un terrain pentu.
- Faites attention aux trous, aux ornières, aux bosses, aux roches et à tout ce qui peut être caché. Ils peuvent vous faire glisser ou tomber sans prévenir.
- Ne tondez pas de l'herbe mouillée ou des pelouses excessivement pentues. Si vous êtes instable sur vos deux pieds, vous risquez de glisser ou de tomber.
- Ne tondez pas à proximité d'à-pics, de fossés ou de talus. Vous pourriez perdre l'équilibre.

## Enfants

Des accidents tragiques peuvent se produire si l'utilisateur ne fait pas attention à la présence d'enfants. Les enfants font souvent preuve d'une grande curiosité à l'égard de la machine et de l'opération de tonte elle-même. Ne supposez jamais que les enfants resteront là où vous les avez vus pour la dernière fois.

- Maintenez les enfants à l'écart de la zone à tondre et sous la stricte surveillance d'un adulte responsable autre que l'utilisateur.
- Soyez vigilant et arrêtez la tondeuse si un enfant pénètre dans la zone de travail.
- Ne laissez jamais un enfant utiliser la machine.
- Redoublez d'attention en approchant les coins aveugles, les buissons, les arbres ou tout ce qui pourrait vous empêcher de voir un enfant.













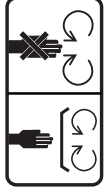


## Entretien et réparation

- Avant d'entretenir ou de réparer la tondeuse à gazon, de la nettoyer ou de retirer l'herbe accumulée dessous, arrêtez-la et retirez la clé de sécurité.
- Maintenez serrés tous les écrous et boulons.
- Ne trafiquez jamais les dispositifs de sécurité. Faites des vérifications régulières pour vous assurer que ces dispositifs sont en place et en bon ordre de marche.
- Débarrassez la tondeuse de toute accumulation d'herbe, feuilles ou autres débris.

- Si vous heurtez un corps étranger, arrêtez le moteur et inspectez la machine. Réparez au besoin avant de redémarrer.
- N'effectuez jamais de réglages ou de réparations quand le moteur tourne. Retirez toujours la clé de sécurité de votre tondeuse électrique avant de la régler, de la nettoyer ou de la réparer.
- Inspectez fréquemment les composants du sac à herbe et le déflecteur de protection d'éjection et, au besoin, remplacez-les par des pièces recommandées par le fabricant.
- Les tranchants de la lame de la tondeuse sont affûtés. Enveloppez la lame ou portez des gants et faites preuve d'une extrême prudence quand vous la réparez.
- Maintenez visibles les étiquettes de sécurité et d'instructions ou, le cas échéant, remplacez-les.
- Si votre machine électrique nécessite d'être réparée, communiquez avec un revendeur Snow Joe® + Sun Joe® agréé ou appelez le service clientèle Snow Joe® + Sun Joe® au 1-866-SNOWJOE (1-866-766-9563). Pour les réparations, il faut uniquement utiliser des pièces de rechange identiques. C'est à ce prix que la sécurité de la machine électrique sera préservée.
- Si le câble du chargeur de batterie est endommagé, il doit être immédiatement remplacé pour éviter tout danger. Communiquez avec le service clientèle Snow Joe® + Sun Joe® en appelant le 1-866-SNOWJOE (1-866-766-9563) pour de l'aide.

# Symboles de sécurité

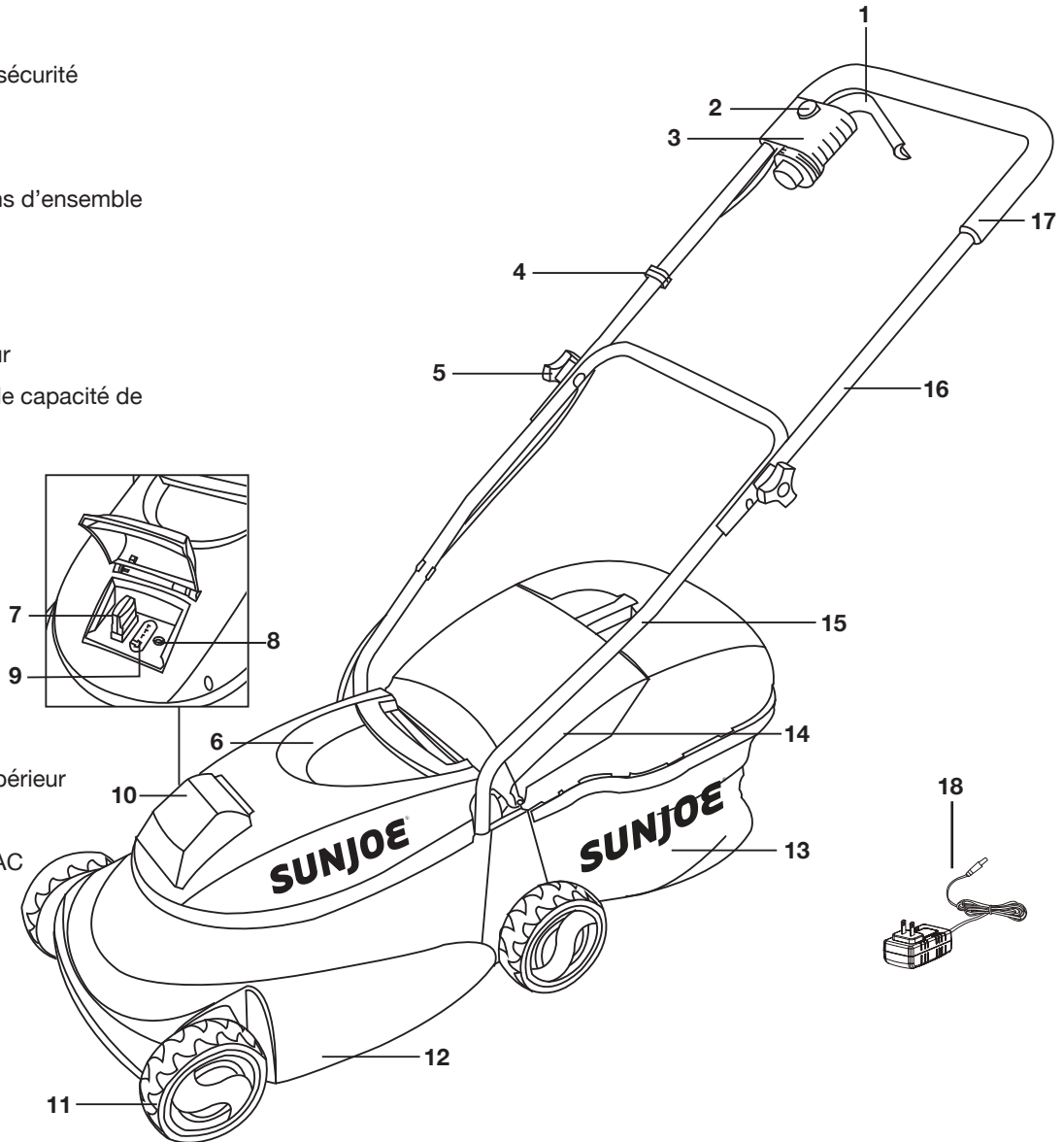
Le tableau suivant décrit et explique les symboles de sécurité pouvant être marqués sur cette machine. Avant d'essayer de procéder à son assemblage et de l'utiliser, lisez, comprenez et suivez toutes les instructions sur cette machine.

Symboles	Descriptions	Symboles	Descriptions
	<b>DANGER!</b> Lames rotatives. Garder mains et pieds à distance.		Maintenir les spectateurs et les enfants à une distance de sécurité suffisante.
	Alerte de sécurité. Mise en garde. Pour réduire le risque de blessure, l'utilisateur doit lire le manuel d'utilisation.		Porter une protection oculaire et une protection de l'ouïe. Pour éviter de se blesser, porter des protecteurs d'oreilles et des lunettes de sécurité.
	<b>AVERTISSEMENT!</b> Ne pas utiliser la machine sous la pluie où par forte humidité. Garder la machine au sec.		Porter des gants de protection et des chaussures antidérapantes pour utiliser la machine et manipuler les débris.
	Risque de glissade sur terrain pentu – Pour éviter toute glissade ou chute accidentelle, faire preuve d'une extrême prudence en tondant sur une pente.		Sectionnement des orteils ou des doigts par la lame de tondeuse en rotation. Gardez les mains et les pieds éloignés
	La projection d'objets et la lame rotative peuvent provoquer de graves blessures.		Maintenir les spectateurs à bonne distance de la zone de travail.
	La lame continue de tourner après avoir relâché le bouton-poussoir de sécurité.		<b>AVERTISSEMENT!</b> Toujours arrêter la machine et retirer la clé de sécurité avant toute inspection, tout nettoyage ou tout entretien.
	Lame rotative : tenir les mains et les pieds éloignés de l'ouverture quand la machine est en marche.		Regardez vers l'arrière quand vous utilisez la tondeuse à reculons.
	Utilisation uniquement à l'intérieur. Utiliser uniquement le chargeur de batterie à l'intérieur.		

# Apprenez à mieux connaître votre tondeuse à gazon sans cordon

Avant d'utiliser la tondeuse, lisez attentivement le manuel d'utilisation et les consignes de sécurité. Comparez l'illustration ci-dessous avec la tondeuse afin de vous familiariser avec l'emplacement des différents réglages et commandes. Conservez ce manuel pour pouvoir le consulter dans le futur.

1. Levier marche-arrêt
2. Bouton-poussoir de sécurité
3. Boîtier interrupteur
4. (2) serre-câbles
5. (2) boutons et boulons d'ensemble guidon supérieur
6. Couvercle supérieur
7. Clé de sécurité
8. Prise pour le chargeur
9. Système indicateur de capacité de batterie
10. Couvercle de jauge de batterie
11. (4) roues
12. Plateau de coupe
13. Sac à herbe
14. Volet d'éjection
15. Ensemble guidon inférieur
16. Ensemble guidon supérieur
17. Barre d'appui
18. Chargeur iCHRG28-AC



## Données techniques

Moteur .....	600 W Sans balais	Largeur max. de coupe .....	35,6 cm
Tension de batterie max.* .....	28 VCC	Hauteur de coupe.....	De 30 mm à 64 mm
Capacité de la batterie .....	5,0 Ah	Contenance du sac à herbe .....	40 l
Entrée du chargeur.....	100 – 240 VCA 50-60 Hz 0,8 A	Matériau de lame.....	Acier
Sortie du chargeur.....	29 VDC 0.9 A	Taille des roues.....	14 cm
Temps de charge max. de la batterie .....	5.5 heures	Poids net .....	10,5 kg
Régime à vide.....	3 000 tr/min		

\*Tension initiale à vide; grimpe à 29,4 volts une fois à charge complète; la tension nominale sous charge typique est de 28 volts.

# Déballage

## Contenu de la caisse

- Tondeuse à gazon sans cordon
- Sac à herbe
- Tige-support de sac à herbe
- Ensemble guidon supérieur
- (2) ensembles bouton et boulon de guidon supérieur
- Ensemble guidon inférieur
- (2) vis de guidon inférieur
- Tricoise
- (2) vis
- (2) serre-câbles
- Chargeur de batterie
- Manuel et carte d'enregistrement

1. Retirez soigneusement la tondeuse à gazon de la caisse et inspectez-la pour vérifier que tous les éléments énumérés ci-dessus sont fournis.
2. Inspectez soigneusement le contenu pour vous assurer qu'aucun élément ne s'est cassé ou n'a été endommagé pendant le transport. Si vous constatez que des pièces manquent ou sont endommagées, NE PAS retourner la caisse au magasin. Veuillez appeler le service clientèle Snow Joe® + Sun Joe® au 1-866-SNOWJOE (1-866-766-9563).

**REMARQUE :** ne jetez pas la caisse d'expédition et l'emballage tant que vous n'êtes pas prêt à utiliser votre nouvelle tondeuse à gazon sans cordon. L'emballage est fabriqué dans des matériaux recyclables. Éliminez ces matériaux de façon appropriée et conformément aux réglementations locales.

## Assemblage

**⚠ AVERTISSEMENT!** Ne pas insérer la clé de sécurité tant que l'assemblage n'est pas terminé. Ne pas tenir compte de cet avertissement peut entraîner un démarrage accidentel et de graves blessures.

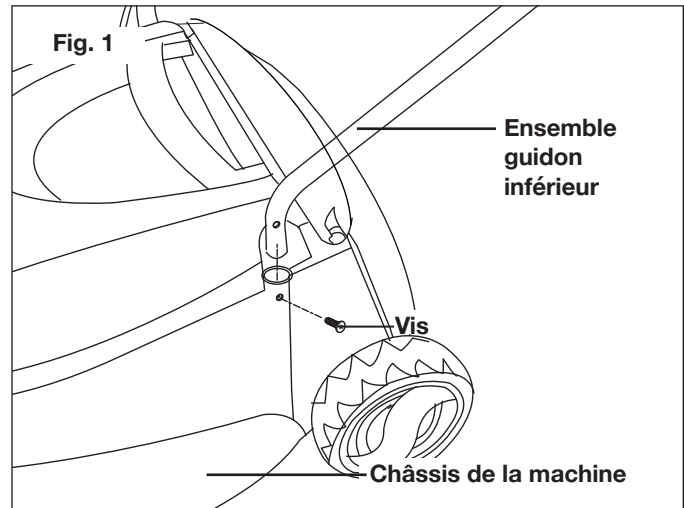
**⚠ AVERTISSEMENT!** Avant d'effectuer le moindre entretien, s'assurer que la clé est retirée de la machine. Toute personne ne tenant pas compte de cet avertissement s'expose à de graves blessures.

**⚠ AVERTISSEMENT!** La machine doit être complètement assemblée avant de pouvoir l'utiliser. Ne pas utiliser une machine qui n'est que partiellement assemblée ou assemblée avec des pièces endommagées.

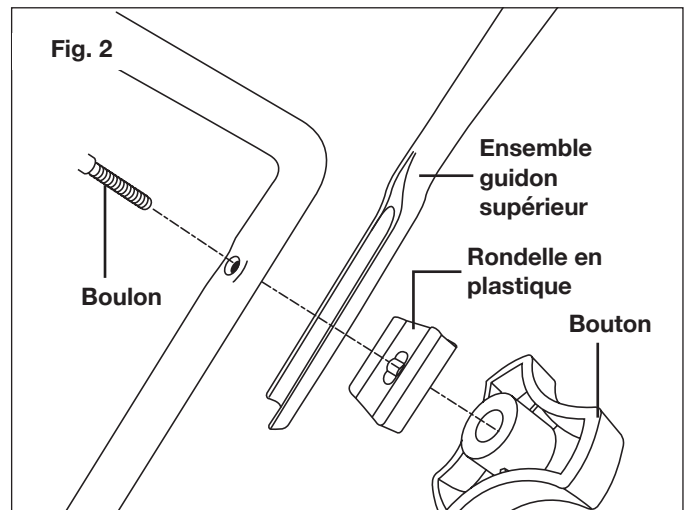
**REMARQUE :** avant d'utiliser la tondeuse, suivez ces instructions pour assembler le guidon et le sac à herbe.

## Assemblage du guidon

1. Enfoncez l'ensemble guidon inférieur dans les deux trous du châssis de la machine et attachez le guidon des deux côtés à l'aide des vis fournies (Fig. 1).

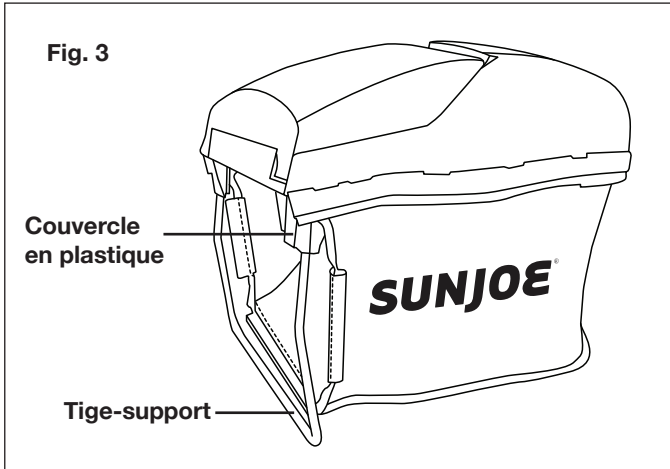


2. Attachez l'ensemble guidon supérieur à l'ensemble guidon inférieur à l'aide du bouton, de la rondelle en plastique et du boulon fournis (Fig. 2). Répétez l'opération de l'autre côté.

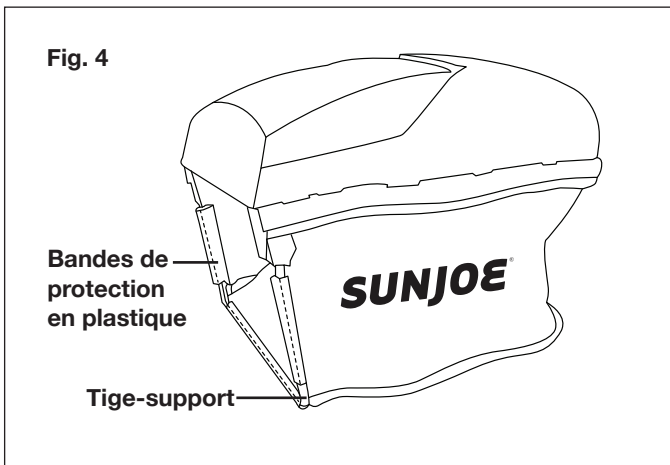


## Assemblage et ajustage du sac à herbe

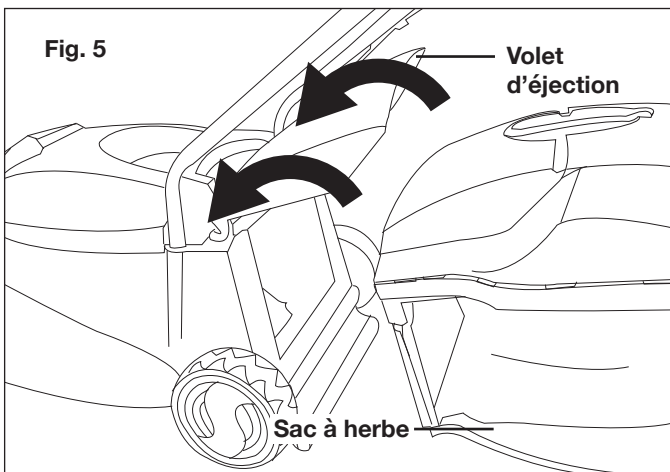
1. Faites rentrer la tige-support dans les trous du couvercle en plastique. La partie incurvée de la tige-support doit être tournée vers l'arrière de la machine (Fig. 3).



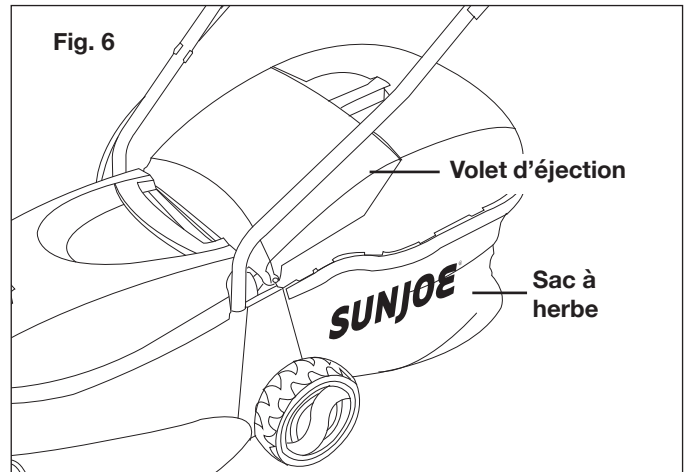
2. Attachez les bandes de protection en plastique sur la tige-support (Fig. 4).



3. D'une main, relevez le volet d'éjection. De l'autre main, tenez le sac à herbe par la poignée et accrochez-le par le dessus (Fig. 5).



4. Relâchez le volet d'éjection pour que le sac à herbe reste attaché (Fig. 6).



## Avant utilisation

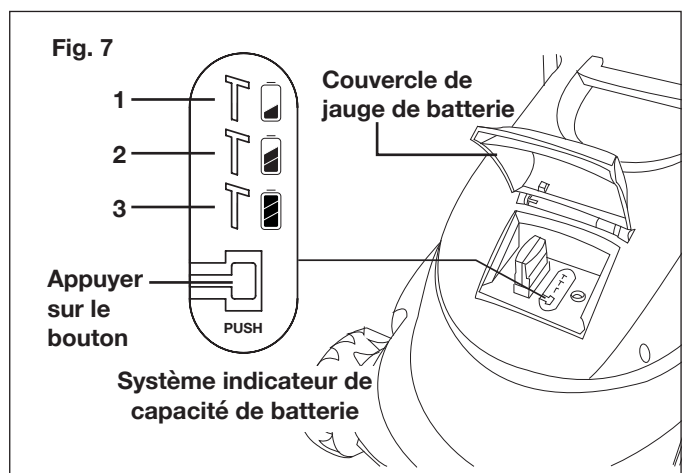
### Procédure de charge

Le chargeur de batterie qui est fourni est conçu pour la batterie au lithium-ion intégrée à la machine. N'utilisez pas d'autres chargeurs de batterie.

La batterie au lithium-ion est protégée contre les décharges poussées. Quand la batterie est épuisée, un circuit de protection arrête automatiquement la machine.

Chargez la batterie pendant 5.5 heures au maximum et utilisez ensuite la machine jusqu'à ce que la batterie s'épuise (c.-à-d., quand la machine commence à perdre de sa puissance). Rechargez pendant 5.5 heures au maximum avant de pouvoir utiliser à nouveau la machine.

La tondeuse est dotée d'un système indicateur de capacité de batterie sous le couvercle de jauge de batterie. Pour vérifier la capacité de la batterie, levez le couvercle de jauge de batterie et appuyez sur le bouton (Fig. 7). Le tableau ci-dessous montre comment le système indicateur de charge affiche le statut de la batterie de la tondeuse à gazon.



Témoins allumés	Statut
1- Vert, 2- Jaune, 3- Rouge	Chargé à plus de 60 %
1- Éteint, 2- Jaune, 3- Rouge	Chargé à plus de 30 %
1- Éteint, 2- Éteint, 3- Rouge	Chargé à moins de 30 % Doit être chargé

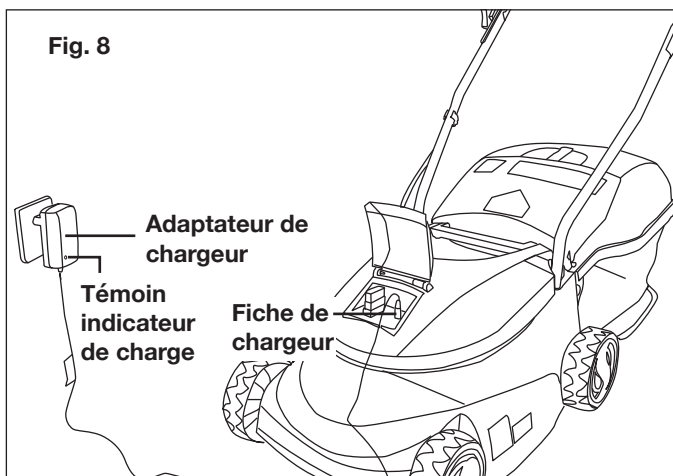
## Charge de la batterie

La batterie de cette tondeuse à gazon a été conçue pour vous assurer une utilisation la plus longue possible sans problème. Toutefois, comme toutes les batteries, le vôtre finira par s'user. Pour que la durée de vie de la batterie soit la plus longue possible, nous vous recommandons ce qui suit :

- Rangez et chargez votre tondeuse à gazon dans un endroit frais. La longévité de la batterie se raccourcira si la température ambiante est supérieure ou inférieure à la normale.
- Ne remisez jamais la tondeuse à gazon quand sa batterie est déchargée. Rechargez immédiatement la batterie une fois qu'elle est déchargée.
- Toutes les batteries perdent progressivement leur charge. Plus la température est élevée, plus elles se déchargent rapidement. Si vous remisez votre tondeuse à gazon pendant une longue période et sans l'utiliser, rechargez la batterie tous les 6 mois. La durée de vie de la batterie sera prolongée.

**REMARQUE :** la tondeuse à gazon a été expédiée avec une batterie faiblement chargée qui doit être complètement chargée avant utilisation de la machine.

1. Branchez le chargeur dans une prise de secteur appropriée. Pour commencer à charger la batterie, branchez la fiche du chargeur dans la prise spéciale de la tondeuse à gazon (Fig. 8).



2. Le témoin indicateur de charge sur le chargeur s'allumera en rouge pour indiquer que la charge de la batterie est en cours (Fig. 8).
3. Il faut environ 5.5 heures pour recharger la batterie. Le témoin indicateur de charge passe au vert quand la batterie est à charge complète; débranchez immédiatement le chargeur quand le témoin est vert.

**⚠ MISE EN GARDE!** Ce chargeur ne s'éteint pas automatiquement quand la batterie est à charge complète. Veiller à ne pas laisser la tondeuse à gazon branchée dans le chargeur. Éteindre le chargeur ou le débrancher du secteur une fois que la batterie est à charge complète.

**REMARQUE :** le témoin indicateur de charge est rouge quand le chargeur est branché et quand il charge la tondeuse à gazon. Le témoin indicateur de charge passe au vert quand la tondeuse à gazon est à charge complète.

Le processus de charge démarre dès que le chargeur est branché à la fois dans une prise électrique appropriée et dans la machine.

- Pendant la procédure de charge, le caisson de la machine devient légèrement chaud au toucher. Ceci est normal.
- Si aucune autre utilisation n'est prévue pendant une période prolongée, débranchez le chargeur de batterie de la prise et de la machine.
- N'utilisez pas la machine pendant la procédure de charge.

## Utilisation

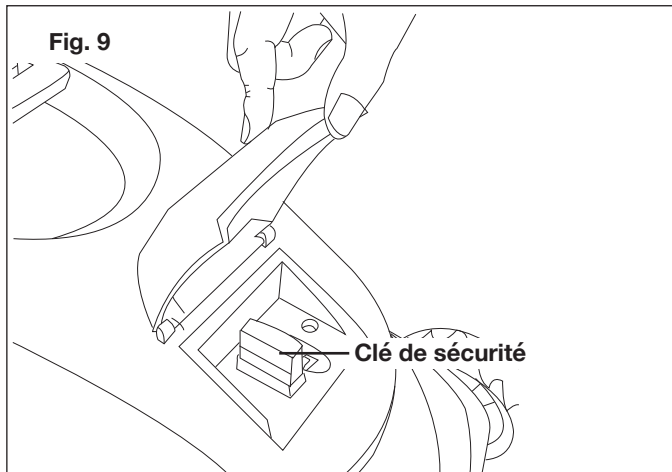
Cette tondeuse à gazon est destinée à un usage résidentiel privé consistant à tondre les pelouses de petite superficie dans les jardins. Cette tondeuse n'est pas adaptée pour tondre le gazon dans les parcs publics, les terrains de jeu, les fermes ou les forêts. N'utilisez pas cette tondeuse à gazon pour un travail autre que celui pour lequel elle est destinée.

## Démarrage et arrêt

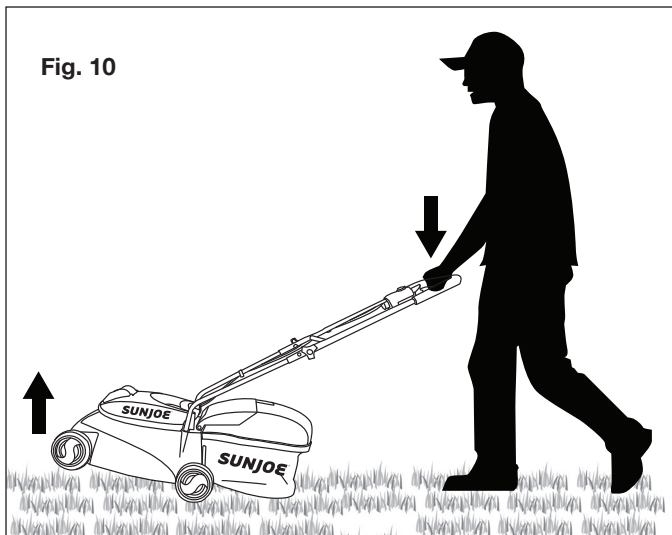
**⚠ AVERTISSEMENT!** Avant de démarrer la tondeuse, vérifier qu'elle n'est en contact avec aucun corps étranger. Maintenir les pieds et les mains à bonne distance de la lame rotative de la tondeuse et de l'ouverture d'éjection. Toute personne ne tenant pas compte de ces avertissements peut se blesser gravement.

**IMPORTANT :** ne démarrez pas la tondeuse dans de l'herbe haute.

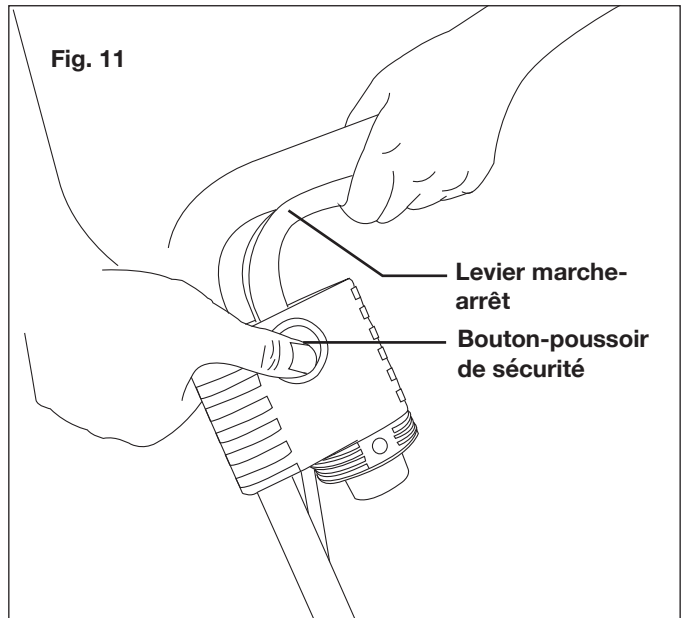
1. Avant de démarrer la machine, insérez la clé de sécurité dans la fente (Fig. 9).



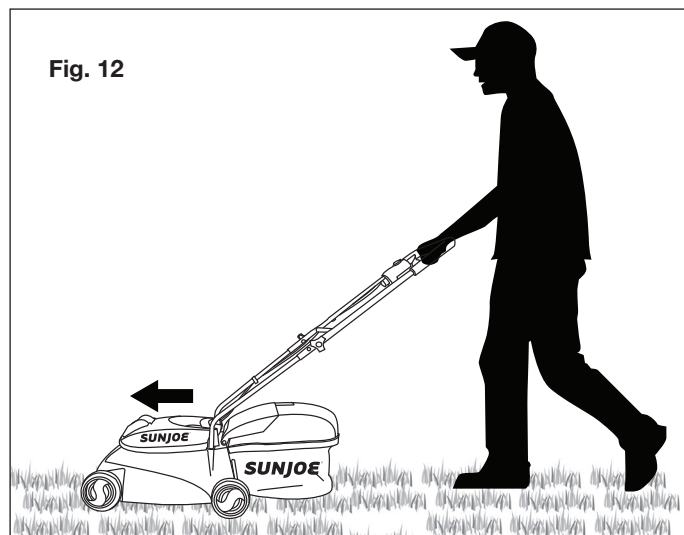
2. Avant de démarrer la tondeuse à gazon, tenez des deux mains le guidon et inclinez-le vers le bas pour lever légèrement l'avant de la machine. Vous réduirez ainsi le risque d'endommager la pelouse au démarrage (Fig. 10).



3. Pour démarrer la tondeuse à gazon sans cordon, appuyez sur le bouton-poussoir de sécurité tout en tirant le levier marche-arrêt vers vous (Fig. 11).



4. Une fois que la machine tourne, relâchez le bouton-poussoir de sécurité et abaissez doucement l'avant de la tondeuse pour commencer à tondre (Fig. 12).



5. Pour arrêter la tondeuse, relâchez le levier marche-arrêt.

**⚠️ AVERTISSEMENT!** La lame de la tondeuse continue à tourner pendant un bref instant une fois que le moteur de la machine a été coupé. Ne pas incliner ou transporter la machine quand le moteur tourne encore et ne pas toucher la lame pendant qu'elle est encore en rotation. Toute personne ne tenant pas compte de cet avertissement s'expose à de graves blessures.



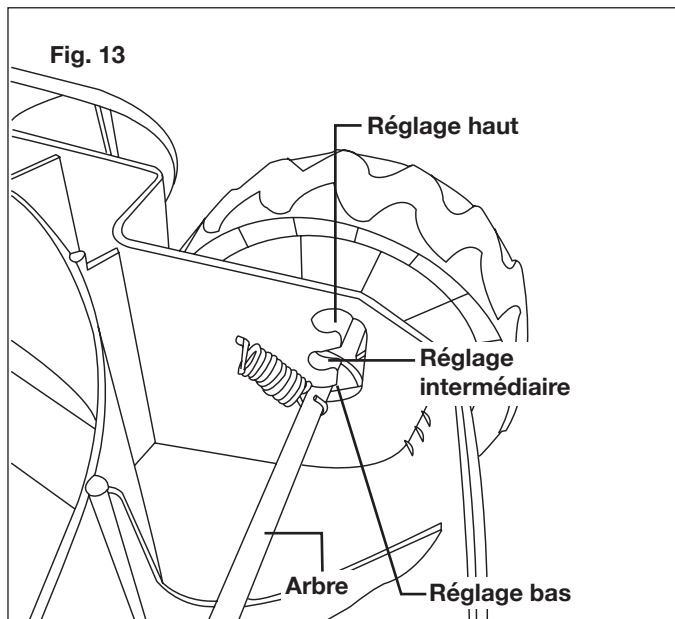
## Réglage de la hauteur de coupe

Suivez ces instructions pour régler la hauteur de coupe de la tondeuse à gazon.

**⚠️ AVERTISSEMENT!** Avant de procéder à ces réglages, débrancher la tondeuse de la source d'alimentation électrique en retirant la clé de sécurité et attendre que la lame rotative se soit complètement arrêtée. En raison de la présence toute proche de la lame, il est recommandé de porter des gants.

TOUJOURS SUIVRE LES MESURES DE SÉCURITÉ ET LES RECOMMANDATIONS ÉNUMÉRÉES PRÉCÉDEMMENT DANS CE MANUEL.

1. Arrêtez le moteur de la machine et retirez la clé de la fente.
2. Retirez et videz le sac à herbe.
3. Placez la tondeuse à gazon sur son flanc.



4. Les arbres de roue peuvent se régler sur 3 hauteurs de coupe différentes : bas (pour couper l'herbe au ras), intermédiaire et haut.

### 3 positions de réglage de hauteur de coupe (Fig. 13) :

1. Bas 30 mm
2. Intermédiaire : 49 mm
3. Haut : 64 mm

La tolérance de hauteur de coupe est de  $\pm 5$  mm.

5. Réglez les quatre roues sur la hauteur de coupe voulue en tirant sur l'arbre et en le plaçant sur l'une des trois positions. Vérifiez que les quatre roues sont toutes sur la même position de hauteur de coupe.

**REMARQUE :** si vous tondez sur un terrain accidenté ou plein de mauvaises herbes hautes, réglez la tondeuse sur la hauteur de coupe la plus haute.

6. Remettez la tondeuse à gazon sur ses roues et rattachiez le sac à herbe.

7. Insérez la clé de sécurité dans la fente et reprenez la tonte.

## Conseils pour la tonte

**⚠️ AVERTISSEMENT!** Inspecter le terrain avant de le tondre et retirer toutes les pierres, bâtons, fils et tout ce qui peut être ramassé et projeté en l'air par la lame rotative. Si vous ne tenez pas compte de cet avertissement, la lame sera endommagée et de graves blessures corporelles sont à redouter.

- Assurez-vous d'inspecter périodiquement la lame de tonte pour vérifier si elle présente des signes d'usure et affutez-la au moins une fois par an comme cela est décrit dans la section sur l'entretien.

**REMARQUE :** une lame affûtée améliorera nettement le rendement de la tondeuse, spécialement quand il faut couper des herbes hautes.

- Quand vous tondez de l'herbe épaisse, réduisez votre vitesse de progression pour vous permettre de tondre plus efficacement et rejeter de façon appropriée l'herbe coupée. Pour obtenir une pelouse saine, coupez toujours un tiers ou moins de la hauteur totale de l'herbe. La hauteur moyenne de l'herbe d'une pelouse doit se situer approximativement entre 3,8 et 5 cm pendant la saison froide et être supérieure à 5 cm pendant la saison chaude. S'il y a repousse, la pelouse doit être tondue à l'automne.
- La pelouse aura un meilleur aspect si elle est toujours coupée à la même hauteur et en croisant les directions.
- Quand vous traversez un revêtement de gravier, relâchez le levier marche-arrêt pour couper le moteur de la tondeuse. Des pierres peuvent être ramassées et projetées par la lame rotative.
- Réglez la tondeuse sur la hauteur de coupe maximale quand vous tondez un terrain accidenté ou des mauvaises herbes hautes.

**⚠️ AVERTISSEMENT!** Si la tondeuse heurte quoi que ce soit, arrêter le moteur et retirer la clé de sécurité. Inspecter soigneusement la tondeuse et réparer tout dommage avant de reprendre le travail.

- **IMPORTANT!** N'ouvrez jamais le volet d'éjection quand le sac à herbe a été détaché (pour être vidé) et quand le moteur tourne toujours. La lame rotative peut provoquer de graves blessures!
- Attachez toujours soigneusement le volet d'éjection et le sac à herbe. Coupez le moteur avant de vider le sac à herbe. Assurez-vous toujours qu'une distance de sécurité suffisante (fournie par la longueur de l'ensemble guidon supérieur) est maintenue entre l'utilisateur et le caisson de la tondeuse. Soyez particulièrement vigilant quand vous tondez et changez de direction sur une pente ou un plan incliné.
- Gardez toujours un bon équilibre et portez des chaussures robustes et antidérapantes ainsi que des pantalons longs. Tondez toujours en travers de la pente (et non en descendant et en montant).

- Pour des raisons de sécurité, la tondeuse à gazon ne peut pas être utilisée pour tondre sur les plans inclinés dont la pente est supérieure à 15 degrés.
- Faites preuve de précautions particulières quand vous reculez et quand vous tirez la tondeuse à gazon vers vous, car ce type de manœuvre risque de vous faire trébucher.

## Soin et entretien

**⚠AVERTISSEMENT!** Avant de nettoyer, réparer ou inspecter la tondeuse, débrancher la tondeuse de la source d'alimentation électrique en retirant la clé de sécurité et vérifier que toutes les pièces mobiles sont à l'arrêt complet.

### Généralités

- Veillez à ce que la tondeuse soit toujours propre et qu'il n'y ait ni herbe, saleté ou autres débris accumulés dessus.
- Maintenez le guidon sec, propre et exempt d'huile et de graisse.
- Après chaque tonte, retirez l'herbe coupée et les débris qui se sont accumulés à l'aide d'un chiffon sec ou d'une brosse à main. Vous pouvez également nettoyer le matériel à l'aide d'un chiffon humide et d'un savon doux et non abrasif. N'utilisez ni agents nettoyants ni solvants corrosifs, car ils peuvent endommager les pièces en plastique de la machine. Assurez-vous qu'il n'y ait pas d'eau qui pénètre à l'intérieur de la machine et qui puisse détruire l'interrupteur et le moteur électrique.
- Ne nettoyez pas la tondeuse à gazon à l'eau courante et bien évidemment pas à l'eau à haute pression.
- Avant chaque utilisation, vérifiez que tous les écrous, boulons et vis sont correctement serrés.
- Inspectez fréquemment l'ensemble sac à herbe pour déceler la présence éventuelle de signes d'usure et remplacez immédiatement par une pièce d'origine Snow Joe® + Sun Joe® toute pièce endommagée.
- Remplacez immédiatement les composants excessivement usés ou endommagés.
- Pour prolonger au maximum la durée de vie de votre tondeuse, toutes les pièces vissées, y compris les roues et les arbres, doivent être nettoyées et lubrifiées. Il n'y a aucune pièce à l'intérieur de la machine qui nécessite un entretien ou une lubrification supplémentaire.

## Entretien de la lame

**IMPORTANT :** la lame de tondeuse est acérée et peut provoquer de graves blessures si elle est manipulée de façon inappropriée. Enveloppez la lame ou portez des gants de protection et faites preuve d'une extrême prudence quand vous la manipulez.

La lame d'acier est conçue pour couper finement l'herbe haute ou drue. La détérioration de la qualité de coupe indique que la lame est usée ou endommagée. Suivez ces étapes pour déterminer si la lame nécessite d'être réaffûtée ou remplacée :

1. Débranchez la tondeuse de la source d'alimentation électrique en retirant la clé de sécurité.
2. Retournez la tondeuse sur son flanc pour pouvoir accéder au dessous du carter de lame.
3. Vérifiez la lame.
  - a. Si la lame est émoussée ou présente une usure mineure, réaffûtez-la. Communiquez avec un centre d'entretien et de réparation Snow Joe® + Sun Joe® agréé.
  - b. Si la lame présente des signes d'usure majeure ou est gravement endommagée (c.-à-d., entaillée, recourbée), remplacez-la. Pour de l'aide, veuillez appeler le service clientèle Snow Joe® + Sun Joe® au 1-866-SNOWJOE (1-866-766-9563).

**⚠AVERTISSEMENT!** Si la tondeuse vibre de manière excessive, cela veut dire que la lame n'est pas bien équilibrée ou qu'elle s'est déformée en heurtant quelque chose. Dans ce cas, la lame doit être réparée ou remplacée. Pour l'entretien de la lame, veuillez suivre les procédures appropriées ou appeler le service clientèle Snow Joe® + Sun Joe® au 1-866-SNOWJOE (1-866-766-9563) pour de l'aide.

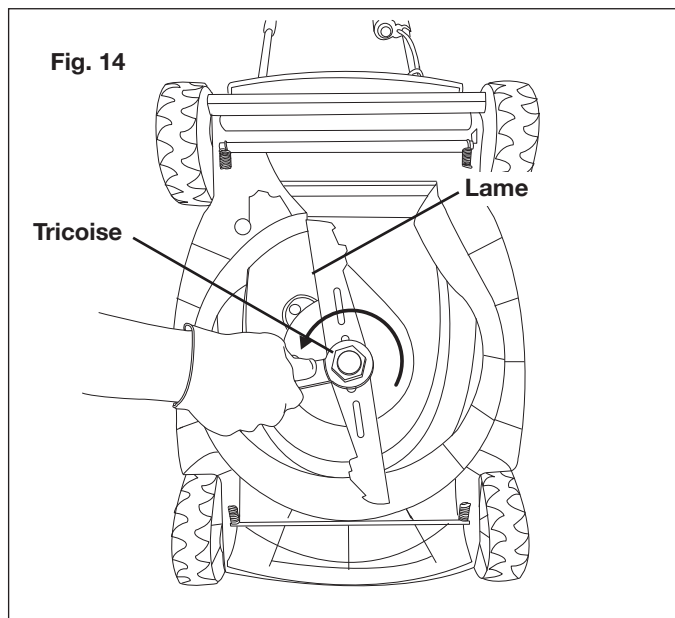
## Changement de lame

**IMPORTANT :** utilisez uniquement les pièces de rechange spécifiées pour cette tondeuse.

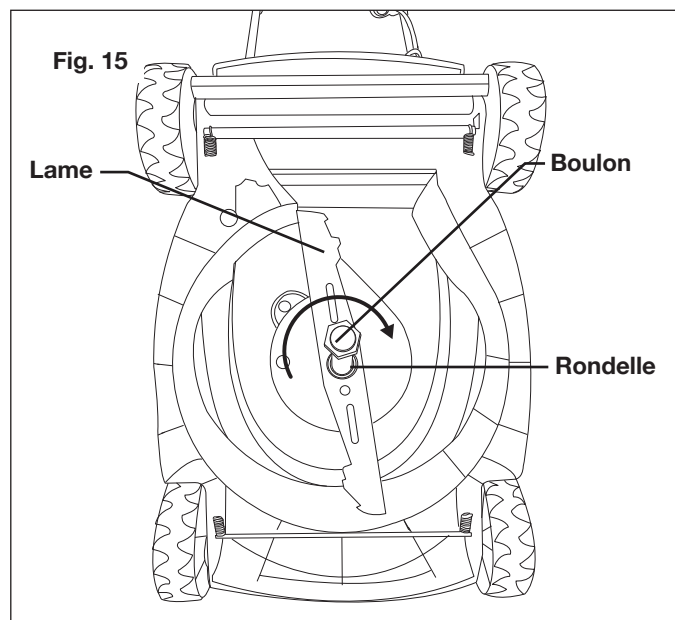
Vous pouvez acheter une lame de rechange (Modèle MJ401C-BLD) et d'autres pièces de rechange d'origine en vous rendant sur notre site Web [sunjoe.com](http://sunjoe.com) ou en appelant le service d'assistance téléphonique au numéro sans frais 1-866-SNOWJOE (1-866-766-9563). L'utilisation de pièces qui ne répondent pas aux spécifications de la machine d'origine peut être la cause d'un rendement anormal de la tondeuse à gazon, peut compromettre la sécurité de l'utilisateur et annulera la garantie du fabricant.

1. Débranchez la tondeuse de la source d'alimentation électrique en retirant la clé de sécurité.
2. Retournez la tondeuse sur son flanc pour pouvoir accéder au dessous du carter de lame.
3. Pour saisir la lame, utilisez un chiffon ou portez des gants résistants.

- À l'aide de la tricoise fournie, retirez le boulon et la rondelle attachant la lame en tournant le boulon dans le sens contraire des aiguilles d'une montre, puis retirez avec précautions la lame (Fig. 14).



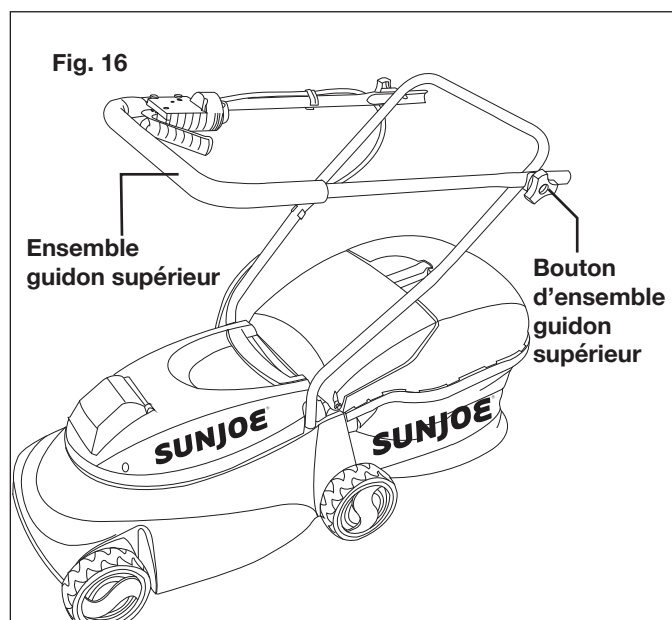
- Remontez la lame neuve, la rondelle et le boulon en suivant en ordre inverse les mêmes étapes (Fig. 15).



## Remisage

Suivez les étapes ci-dessous pour préparer la tondeuse à gazon avant son remisage :

- Retirez la clé de sécurité de la fente.
- Nettoyez la tondeuse à l'aide d'un chiffon mouillé ou d'une brosse à main.
- Inspectez soigneusement la tondeuse pour déceler la présence éventuelle de pièces usées, desserrées ou endommagées. Vérifiez les raccords et les vis et resserrez au besoin. Prenez particulièrement soin de la lame de la tondeuse et remplacez-la ou réaffutez-la si elle présente des signes d'usure. Reportez-vous à la section Soins et entretien.
- Remisez la tondeuse à l'intérieur dans un endroit sec, propre, frais et hors de portée des enfants. Ne remisez pas la machine à proximité de matériaux corrosifs, par exemple de l'engrais ou du chlorure de sodium.
- Ne recouvrez pas la tondeuse à gazon d'une bâche en plastique. Les couvertures en plastique retiennent l'humidité autour de la machine, ce qui peut l'endommager.
- Le guidon de votre tondeuse à gazon peut se replier complètement pour économiser de l'espace. Commencez par desserrer les boutons de chaque côté du guidon supérieur et repliez l'ensemble guidon supérieur (Fig. 16).



# Élimination

## Recyclage et élimination

La machine est livrée dans un emballage qui l'empêche d'être endommagée pendant son expédition. Conservez l'emballage jusqu'à ce que vous soyez sûr que toutes les pièces ont été expédiées et que la machine fonctionne correctement. Ensuite, recyclez l'emballage ou conservez-le pour le remisage de longue durée.



Symbole DEEE. Les déchets d'équipements électriques ne doivent pas être jetés avec les déchets ménagers. Veuillez les recycler dans les installations prévues à cet effet. Pour les réglementations de recyclage, communiquez avec les services publics locaux ou avec votre revendeur.

## Mise en garde concernant les blocs-batteries et informations sur leur élimination

Éliminez toujours les blocs-batteries en vous conformant aux réglementations fédérales, de la province et locales. Communiquez avec un organisme de recyclage de votre région pour obtenir la liste des sites de recyclage.

**⚠ MISE EN GARDE!** Même déchargé, un bloc-batterie contient une certaine énergie. Avant de l'éliminer, utiliser du ruban isolant pour couvrir les bornes et empêcher ainsi le bloc-batterie de provoquer un court-circuit, ce qui pourrait causer un incendie ou une explosion.

**⚠ AVERTISSEMENT!** Pour réduire le risque de blessure ou d'explosion, ne jamais brûler ou incinérer un bloc-batterie même s'il est endommagé, mort ou complètement déchargé. En brûlant, des vapeurs et des matières toxiques sont émises dans l'atmosphère environnante.

1. Les blocs-batteries varient selon le type d'outils ou de machines. Consultez votre manuel pour des renseignements spécifiques.
2. Le cas échéant, posez uniquement des blocs-batteries neufs de même type dans votre outil ou votre machine.
3. Si, en l'insérant, la polarité du bloc-batterie n'est pas respectée, comme indiqué dans le compartiment à bloc-batterie ou dans le manuel, sa durée de vie pourrait être réduite ou il pourrait fuir.
4. Ne mélangez pas des blocs-batteries anciens et neufs.
5. Ne mélangez pas des blocs-batteries alcalins, standard (carbone/zinc) ou rechargeables (au nickel-cadmium, au nickel-métal-hydrure ou au lithium-ion).
6. Ne jetez pas les blocs-batteries dans un feu.
7. Les blocs-batteries doivent être recyclés ou éliminés en observant les directives provinciales ou locales.

## Entretien, réparations et assistance technique

Si votre tondeuse à gazon sans cordon MJ401C-XR Sun Joe® nécessite une intervention technique ou un entretien, veuillez appeler le 1-866-SNOWJOE (1-866-766-9563) pour de l'aide.

## Numéros de modèle et de série

Lorsque vous communiquez avec l'entreprise pour commander des pièces, vous devez fournir les numéros de modèle et de série de votre machine. Ceux-ci se trouvent sur l'étiquette autocollante apposée sur le caisson ou le guidon de votre tondeuse. Copiez ces numéros dans l'espace réservé ci-dessous.

Veillez noter les numéros suivants sur le caisson ou le guidon de votre nouvelle machine :

N° de modèle :

M | J | 4 | 0 | 1 | C | - | X | R |

N° de série :

| | | | | | | | | | | | | | | | | | | | | |

# iCHRG28-AC

## FCC (Commission fédérale des communications)

**⚠️ AVERTISSEMENT!** Tout changement ou toute modification apportés à cet appareil et non approuvés par la partie à qui incombe la responsabilité de sa conformité pourrait annuler l'autorisation de l'utiliser.

### Appareil de Classe B :

**REMARQUE :** ce matériel a été testé et il a été constaté qu'il est conforme aux limites des appareils numériques de Classe B, conformément à la Partie 15 des Règles de la FCC.

Ces limites sont conçues pour fournir une protection raisonnable contre le brouillage préjudiciable dans une installation résidentielle.

Ce matériel génère, utilise et peut rayonner une énergie de fréquence radio et, s'il n'est pas installé et utilisé conformément aux instructions, peut être à l'origine d'un brouillage préjudiciable aux communications radio.

Toutefois, il n'est pas exclu que le brouillage affecte une installation particulière.

Si cet appareil est à l'origine de brouillage préjudiciable à la réception radio et télévision, ce qui peut être déterminé en éteignant et en allumant l'appareil, l'utilisateur est invité à supprimer le brouillage en prenant une ou plusieurs des mesures suivantes :

- Réorienter ou repositionner l'antenne de réception.
- Augmenter la distance entre l'appareil et le récepteur.
- Brancher l'appareil dans la sortie d'un circuit différent de celui dans lequel le récepteur est branché.
- Pour de l'aide, consulter le revendeur ou un technicien radio/télévision qualifié.

# Dépannage

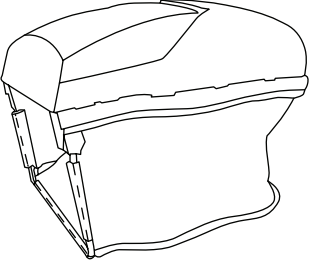
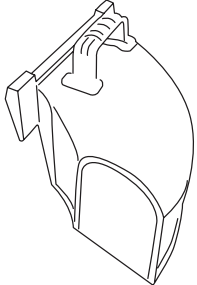
- Retirez la clé de sécurité avant d'effectuer un entretien ou quand vous voulez vérifier que ses pièces sont en bon ordre de marche.
- Pour éviter des ennuis inutiles, pour tous les problèmes mécaniques, consultez le tableau suivant avant de communiquer avec le service clientèle.

Problème	Cause possible	Solution
La tondeuse ne réussit pas à démarrer	<ul style="list-style-type: none"> <li>a) La clé de sécurité n'est pas insérée</li> <li>b) La commande du moteur ou de la lame est débrayée</li> <li>c) la batterie est à plat</li> <li>d) Le plateau de coupe est bloqué par de l'herbe ou des débris</li> <li>e) L'herbe est trop haute</li> </ul>	<ul style="list-style-type: none"> <li>a) Insérez la clé de sécurité</li> <li>b) Appuyez d'abord sur le bouton-poussoir de sécurité, puis sur le levier marche-arrêt.</li> <li>c) Chargez la batterie</li> <li>d) Nettoyez le plateau de coupe. Assurez-vous que la lame tourne librement.</li> <li>e) Réglez la tondeuse sur une hauteur de coupe haute. Levez légèrement les roues en appuyant sur le guidon vers le bas.</li> </ul>
La tondeuse s'arrête pendant la tonte	<ul style="list-style-type: none"> <li>a) la batterie est à plat</li> <li>b) L'herbe est trop haute</li> <li>c) Le plateau de coupe est bloqué par de l'herbe ou des débris</li> <li>d) La machine est en surcharge et le système de protection contre les surcharges a coupé le moteur</li> </ul>	<ul style="list-style-type: none"> <li>a) Chargez la batterie</li> <li>b) Corrigez la hauteur de coupe</li> <li>c) Nettoyez le plateau de coupe. Assurez-vous que la lame tourne librement.</li> <li>d) Laissez refroidir la machine pendant 5 minutes. Patientez jusqu'à ce que la protection contre les surcharges laisse redémarrer la machine.</li> </ul>
La tondeuse ne peut pas couper l'herbe régulièrement	<ul style="list-style-type: none"> <li>a) Le terrain de la pelouse est accidenté ou plein de mauvaises herbes</li> <li>b) La lame n'est pas assez affûtée</li> </ul>	<ul style="list-style-type: none"> <li>a) Réglez la hauteur de coupe</li> <li>b) Affutez ou remplacez la lame</li> </ul>
La tondeuse ne peut pas tondre correctement	<ul style="list-style-type: none"> <li>a) Le plateau de coupe est bloqué par de l'herbe ou des débris</li> <li>b) L'herbe est trop humide</li> <li>c) L'herbe est trop haute</li> <li>d) La lame n'est pas assez affûtée</li> </ul>	<ul style="list-style-type: none"> <li>a) Nettoyez le plateau de coupe. Assurez-vous que la lame tourne librement</li> <li>b) Attendez que l'herbe soit sèche</li> <li>c) Réglez la hauteur de coupe sur la position haute pour tondre la première fois et repassez la tondeuse après l'avoir réglée à la hauteur de coupe voulue</li> <li>d) Affutez ou remplacez la lame</li> </ul>
La tondeuse est difficile à pousser	<ul style="list-style-type: none"> <li>a) L'herbe est trop haute pour la couper</li> <li>b) La lame ou l'arrière de la tondeuse est retenue par de l'herbe haute</li> </ul>	<ul style="list-style-type: none"> <li>a) Réglez plus haut la hauteur de coupe</li> </ul>
La tondeuse vibre à vitesse élevée	<ul style="list-style-type: none"> <li>a) L'arbre du moteur est voilé</li> <li>b) La lame n'est pas équilibrée</li> <li>c) L'écrou de la lame est desserré</li> </ul>	<ul style="list-style-type: none"> <li>a) Arrêtez le moteur, retirez la clé de sécurité et vérifiez si la machine est endommagée. Appeler le service clientèle Snow Joe® + Sun Joe® au 1-866-SNOWJOE (1-866-766-9563)</li> <li>b) Équilibrez la lame en meulant chaque tranchant également ou remplacez la lame par une nouvelle</li> <li>c) Serrez le boulon de lame</li> </ul>

Seul un spécialiste de l'entreprise peut solutionner les pannes qui ne peuvent pas l'être à l'aide de ce tableau. Veuillez appeler le service clientèle Snow Joe® + Sun Joe® au 1-866-SNOWJOE (1-866-766-9563).

## Accessoires en option

**⚠️ AVERTISSEMENT!** TOUJOURS utiliser des pièces de rechange et des accessoires Snow Joe® + Sun Joe® homologués. NE JAMAIS utiliser des pièces de rechange ou des accessoires qui ne sont pas destinés à être utilisés avec cette machine. Communiquez avec Snow Joe® + Sun Joe® si vous n'êtes pas sûr que l'utilisation d'une pièce de rechange ou d'un accessoire particulier avec votre machine soit sans danger. L'utilisation de tout autre accessoire ou de toute autre pièce détachée peut être dangereuse et pourrait provoquer des dommages corporels ou mécaniques.

Accessoires	Description	Modèle
<p>①</p> 	Sac à herbe de 40 l	MJ401E-10
<p>②</p> 	Accessoire d'éjection latérale pour tondeuse à gazon	MJ401E-DCA

**REMARQUE :** les accessoires sont sous réserve de changements sans que Snow Joe® + Sun Joe® soit pour autant tenue de donner un préavis desdits changements. Les accessoires peuvent être commandés en ligne sur le site [sunjoe.com](http://sunjoe.com) ou par téléphone en appelant le service clientèle Snow Joe® + Sun Joe® au 1-866-SNOWJOE (1-866-766-9563).



## LA PROMESSE DE SNOW JOE® + SUN JOE® À SES CLIENTS

Vous êtes notre client et Snow Joe, LLC (« Snow Joe ») **SE MET EN QUATRE** pour vous servir. Nous nous efforçons de vous rendre l'utilisation de nos produits aussi plaisante que possible. Malheureusement, il peut arriver qu'un produit Snow Joe®, Sun Joe® ou Aqua Joe (« Produit ») ne fonctionne pas ou se casse dans des conditions d'utilisation normales. Nous pensons qu'il est important que vous sachiez ce que vous pouvez attendre de nous. C'est pourquoi nous avons une garantie limitée (« Garantie ») pour nos Produits.

### NOTRE GARANTIE :

Snow Joe déclare et garantit que les Produits neufs, d'origine, électriques ou non électriques sont exempts de vices de matière ou de fabrication et, lorsqu'ils font l'objet d'une utilisation résidentielle et ménagère ordinaire, les garantit pendant une période de deux ans à compter de la date d'achat au détail par l'acheteur primitif auprès de Snow Joe ou d'un des revendeurs agréés de Snow Joe, preuve d'achat à l'appui. Étant donné que Snow Joe ne peut pas contrôler la qualité de ses Produits vendus par des revendeurs non agréés, sauf stipulation contraire de la loi, la présente Garantie ne couvre pas les Produits achetés auprès de vendeurs non agréés. Si votre Produit ne fonctionne pas ou si une pièce spécifique couverte par les modalités de la présente Garantie fait l'objet d'un problème quelconque, Snow Joe choisira (1) de vous envoyer une pièce de rechange gratuite, (2) de remplacer le Produit par un produit neuf ou comparable, gratuitement, ou (3) de réparer le Produit. Génial, n'est-ce pas?

**La présente Garantie vous donne des droits judiciaires spécifiques, et vous pouvez également avoir d'autres droits qui peuvent varier d'une province ou d'un territoire à l'autre.**

### ENREGISTREMENT DU PRODUIT :

Snow Joe vous recommande vivement d'enregistrer votre Produit. Vous pouvez l'enregistrer en ligne sur le site [snowjoe.com/register](http://snowjoe.com/register), ou en imprimant et en envoyant par courrier une carte d'enregistrement offerte en ligne sur notre site Web, ou par téléphone en appelant notre Service à la clientèle au **1-866-SNOWJOE (1-866-766-9563)**, ou encore en nous envoyant un courriel à l'adresse [help@snowjoe.com](mailto:help@snowjoe.com). Le fait de ne pas enregistrer l'achat de votre Produit n'a aucune conséquence sur vos droits concernant la garantie. Toutefois, l'enregistrement de votre Produit permettra à Snow Joe de mieux répondre au moindre besoin que vous pourriez avoir en matière de service à la clientèle.

### QUI PEUT REVENDIQUER LA COUVERTURE DE LA GARANTIE?

La présente Garantie est étendue par Snow Joe à l'acheteur et propriétaire primitif du Produit.

### QU'EST-CE QUI N'EST PAS COUVERT?

La présente Garantie ne s'applique pas si le Produit a été utilisé commercialement, pour des travaux non résidentiels ou s'il fait l'objet d'une location. La présente Garantie ne s'applique pas non plus si le Produit a été acheté auprès d'un revendeur non agréé. La présente garantie ne couvre pas non plus les changements cosmétiques qui n'affectent pas le rendement. Les pièces d'usure comme les courroies, les tarières, les chaînes et les dents ne sont pas couvertes au titre de la présente Garantie et peuvent être achetées en ligne sur le site [snowjoe.com](http://snowjoe.com) ou en appelant le **1-866-SNOWJOE (1-866-766-9563)**.