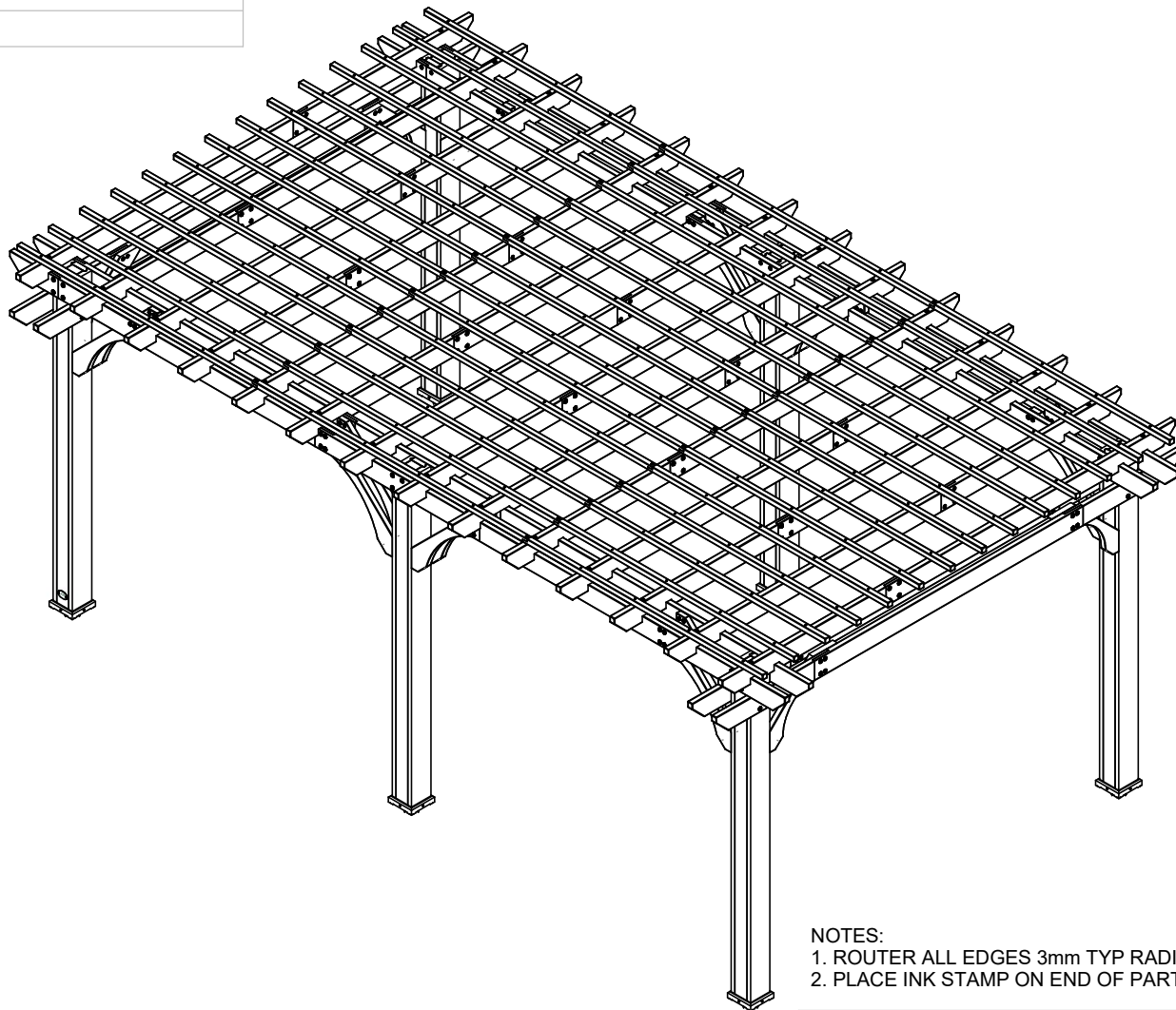


Part Number 2101579
 SHEET 1 OF 1
 SIZE (XX)



NOTES:
 1. ROUTER ALL EDGES 3mm TYP RADIUS.
 2. PLACE INK STAMP ON END OF PART.

Backyard Discovery
 3001 N. Rouse Pittsburg, KS. 66762
 www.backyarddiscovery.com

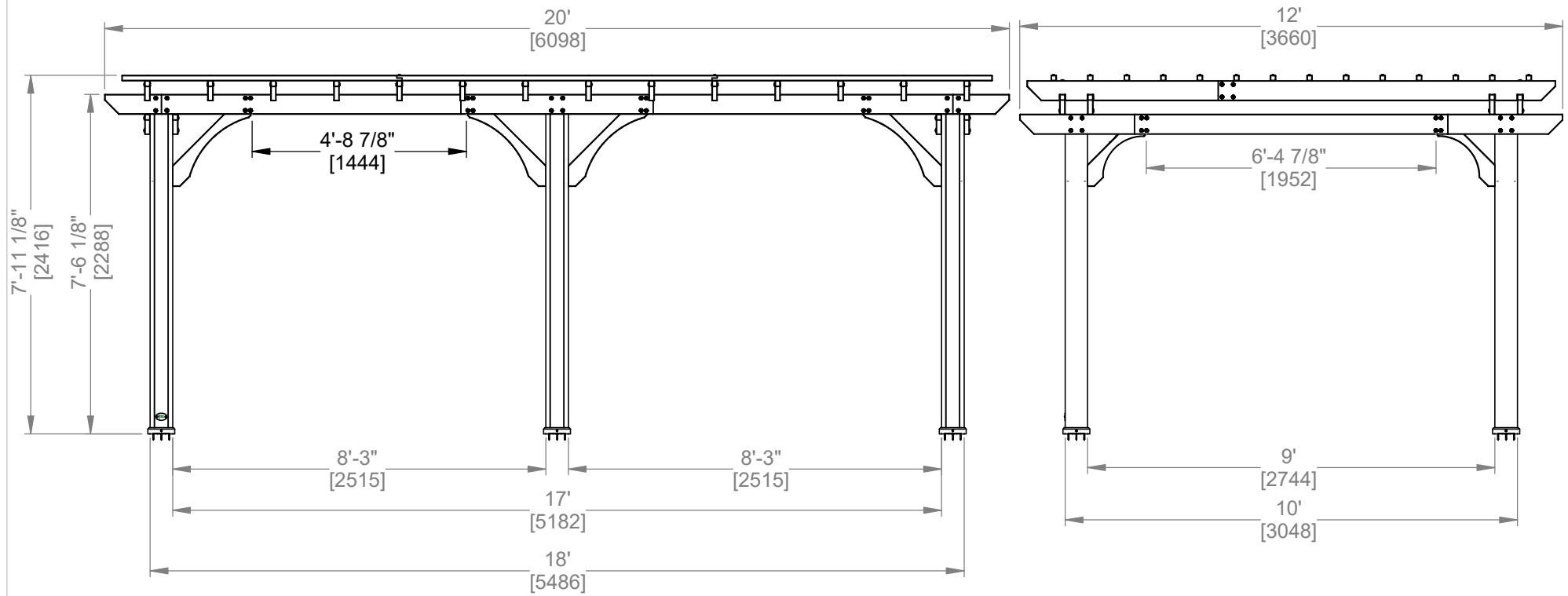
This drawing and its contents are the property of Backyard Discovery issued in strict confidence and shall not without the prior written permission of the above stated company, be reproduced, copied, or used for any purpose whatsoever except the manufacture of articles for Backyard Discovery. This drawing is loaned and subject to return upon demand.



ZONE	REV.	DESCRIPTION	DATE	APPROVED
REVISIONS				

TOLERANCES UNLESS OTHERWISE SPECIFIED (UNITS: mm) GENERAL = +1 -0 X.X = ±0.5mm ANGULAR = ±0.5°	FINISH	DESCRIPTION 20X12 ASSEMBLY	PART NUMBER 2101579	LABEL	REV
	SCALE				
	DATE	2/23/2021			
	DRAWN BY	AS			

Part Number 2101579
 SHEET 1 OF 1
 SIZE (xx)



- NOTES:
 1. ROUTER ALL EDGES 3mm TYP RADIUS.
 2. PLACE INK STAMP ON END OF PART.

Backyard Discovery
 3001 N. Rouse Pittsburg, KS. 66762
 www.backyarddiscovery.com

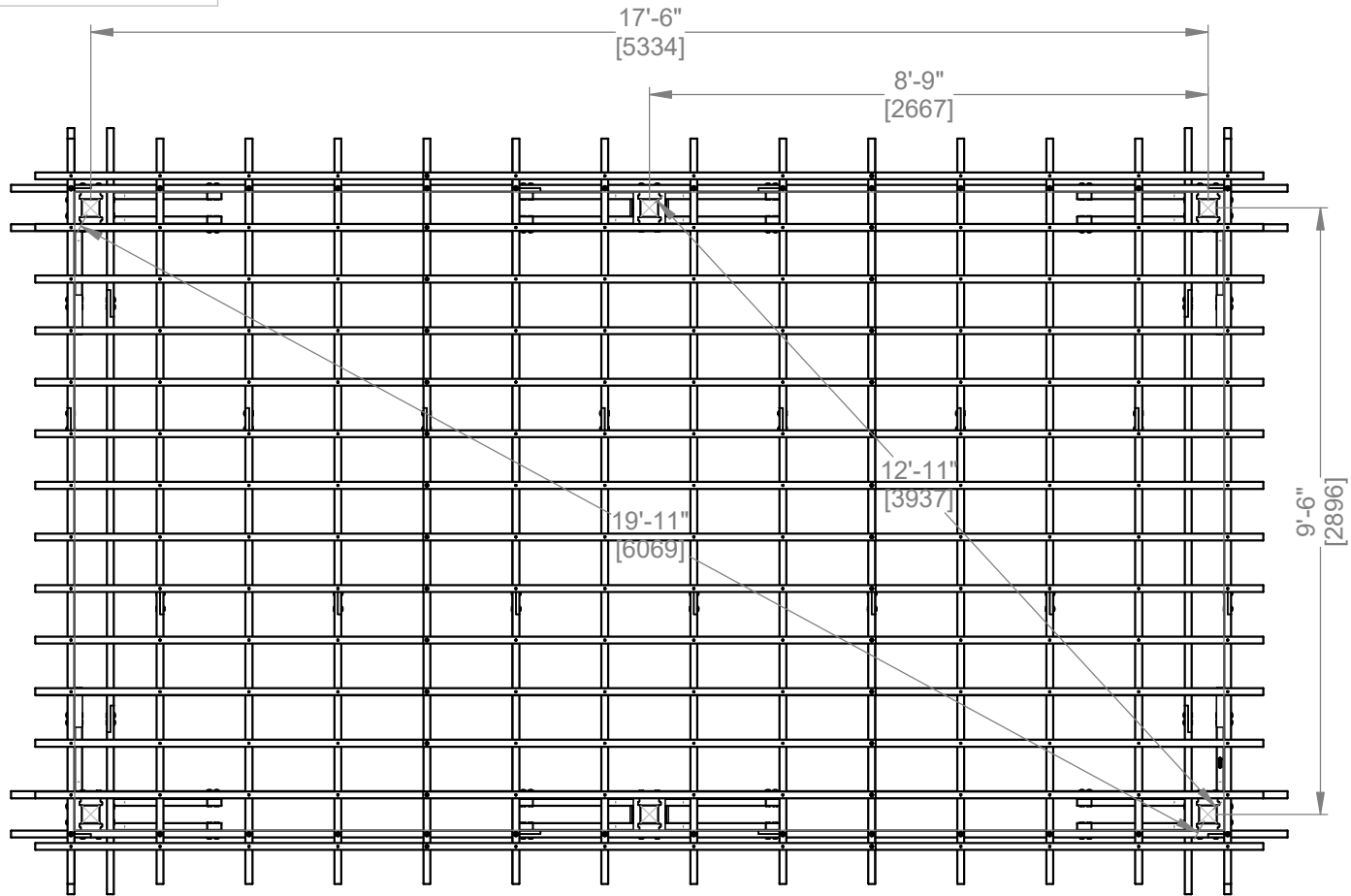
This drawing and its contents are the property of Backyard Discovery issued in strict confidence and shall not without the prior written permission of the above stated company, be reproduced, copied, or used for any purpose whatsoever except the manufacture of articles for Backyard Discovery. This drawing is loaned and subject to return upon demand.



ZONE	REV.	DESCRIPTION	DATE	APPROVED
REVISIONS				

TOLERANCES UNLESS OTHERWISE SPECIFIED (UNITS: mm) GENERAL = +1 -0 X.X = ±0.5mm ANGULAR = ±0.5°	FINISH	DESCRIPTION 20X12 ASSEMBLY	PART NUMBER 2101579	LABEL	REV
	SCALE				
	DATE	2/23/2021			
	DRAWN BY	AS			

Part Number 2101579
 SHEET 1 OF 1
 SIZE (XX)



- NOTES:
 1. ROUTER ALL EDGES 3mm TYP RADIUS.
 2. PLACE INK STAMP ON END OF PART.

Backyard Discovery
 3001 N. Rouse Pittsburg, KS. 66762
 www.backyarddiscovery.com

This drawing and its contents are the property of Backyard Discovery issued in strict confidence and shall not without the prior written permission of the above stated company, be reproduced, copied, or used for any purpose whatsoever except the manufacture of articles for Backyard Discovery. This drawing is loaned and subject to return upon demand.



ZONE	REV.	DESCRIPTION	DATE	APPROVED
REVISIONS				

TOLERANCES UNLESS OTHERWISE SPECIFIED (UNITS: mm) GENERAL = +1 -0 X.X = ±0.5mm ANGULAR = ±0.5°	FINISH	DESCRIPTION 20X12 ASSEMBLY	PART NUMBER 2101579	LABEL	REV
	SCALE				
	DATE	2/23/2021			
	DRAWN BY	AS			