

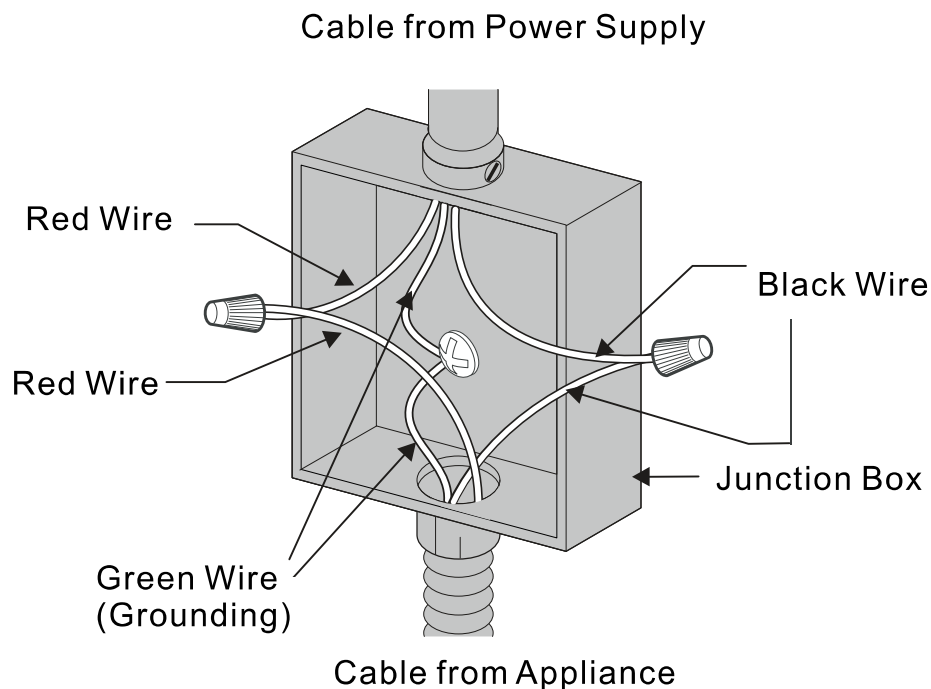
Installation Instructions

The Induction Cooktops must connect to a separate, grounded wire, single phase, AC Only electrical supply with their own circuit breaker. These appliances must be installed in accordance with National Electrical Codes, as well as all state, municipal and local codes. This appliance must be supplied with the proper voltage and frequency and amperage, which is protected by a properly sized circuit breaker or time delay fuse.

The cable from appliance is equipped with 3-wires:

If 3-Wire Cable from Home Power Supply

IMPORTANT: Use the 3-wire cable from Home Power Supply where local codes permit a 3-wire connection.

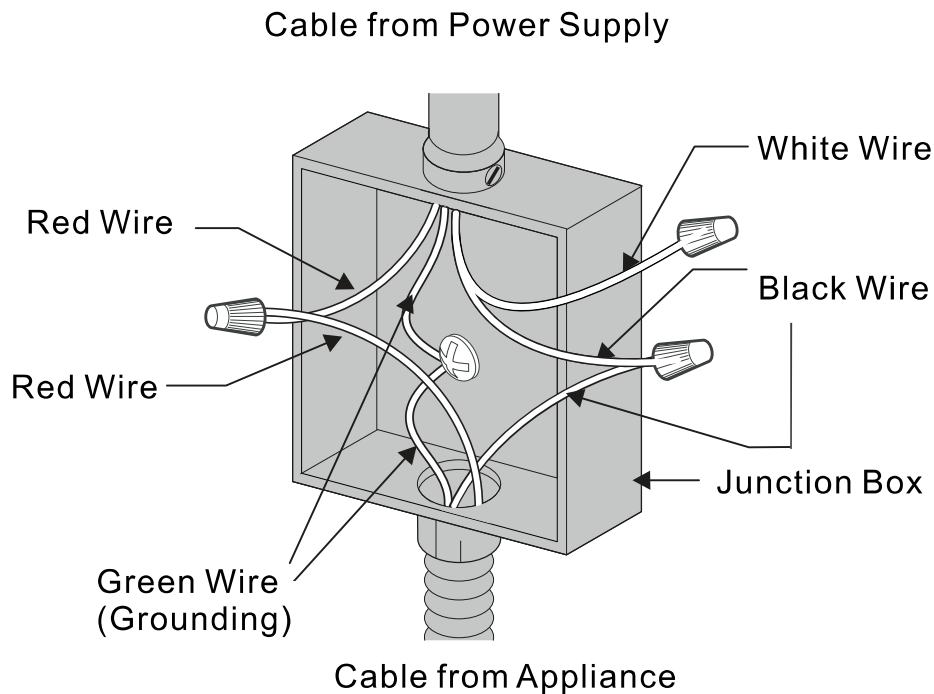


3-Wire Cable from Home Power Supply

Installation Instructions

If 4-Wire Cable from Home Power Supply

IMPORTANT: Use the 4-wire cable from Home Power Supply where local codes do not allow grounding through neutral.



4-Wire Cable from Home Power Supply

Electrical ground is required on this appliance

⚠ WARNING The cooktop conduit wiring is approved for copper wire connection only, if you have aluminum house wiring, use only special connectors which are approved for joining copper and aluminum wires conform with local codes and ordinances. Follow the electrical connector manufacturer's recommended procedure closely.

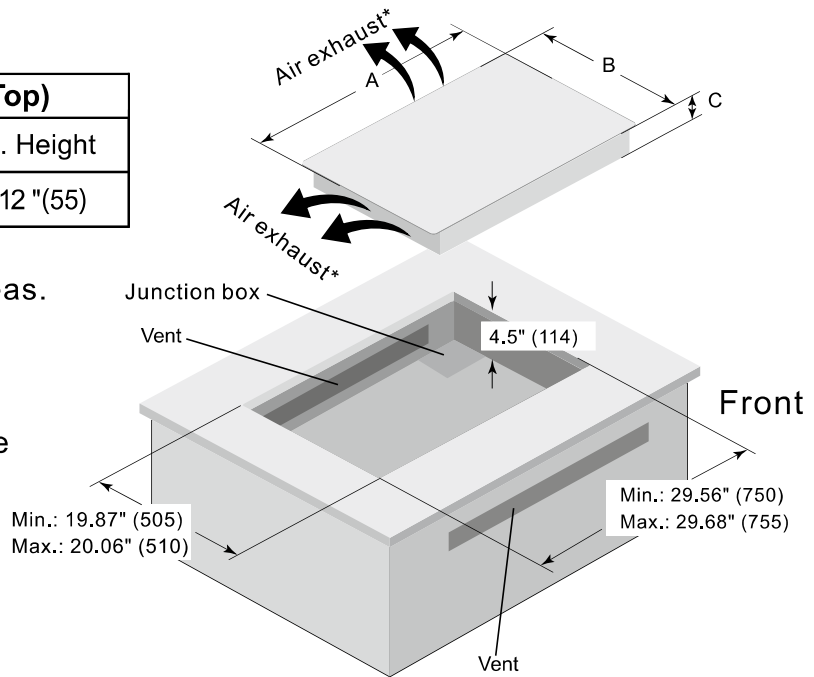
Installation Instructions

Installation — 30" (76.2cm) Model: BIC 304

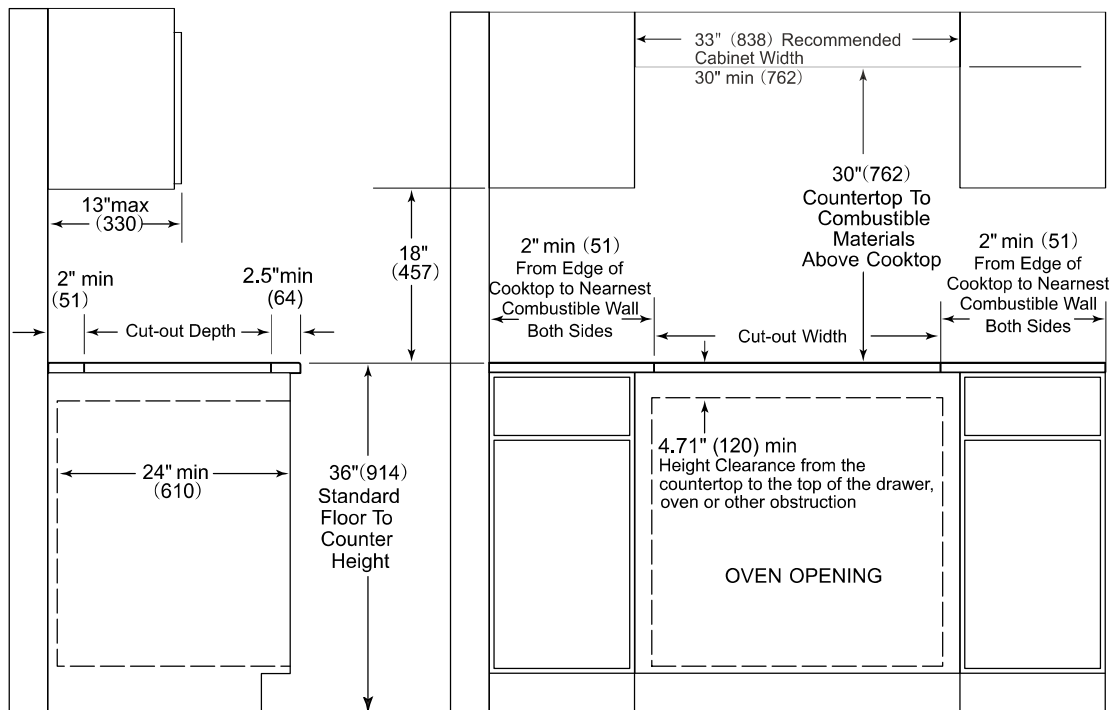
Cooktop Dimensions (Top)		
A. Width	B. Depth	C. Height
30"(762)	21"(533)	2.12"(55)

* DO NOT obstruct these areas.

IMPORTANT: For perfect ventilation, provide a vent of under the countertop, in the front of the cabinet and in the back of the cabinet. The ventilation opening is to extend the full length of the cooktop cutout.



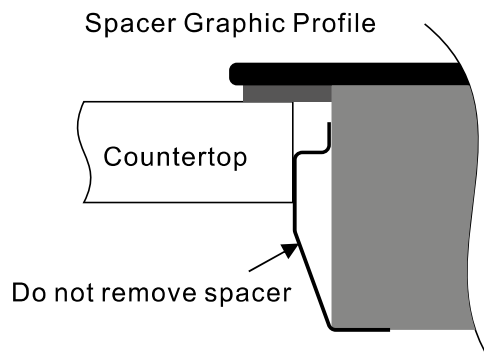
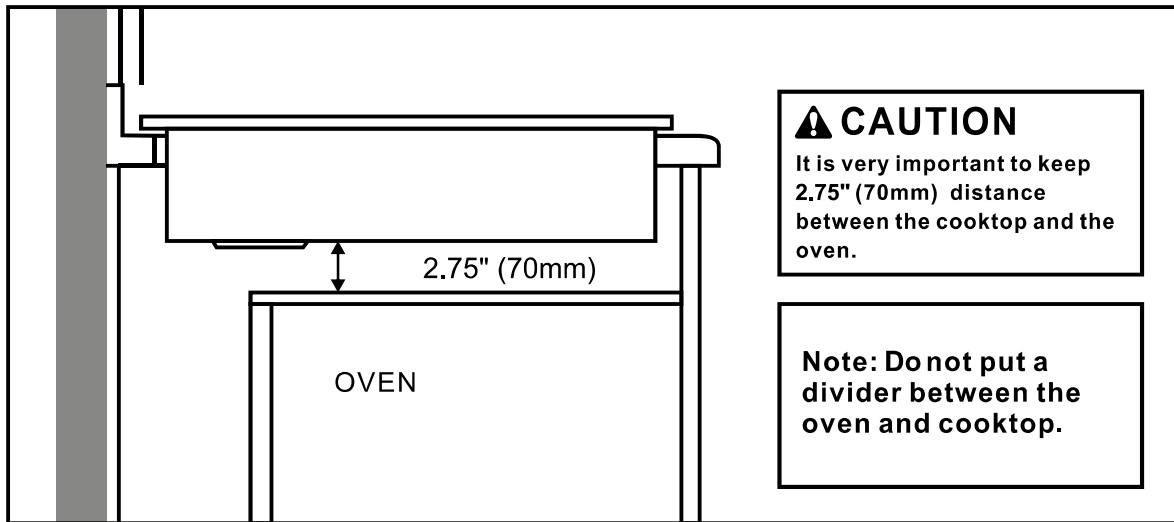
Cooktop and Cutout Dimension



Countertop Cut-Out Opening

All dimensions are stated in inches and (mm).

Installation Instructions



NOTE: The cooktops include spacers on both sides to ensure proper airflow once installed. Do not remove the spacers.

After Installation

1. Remove all the stickers and items from the top of the cooktop surface.
2. Clean cooktop before use. Dry with a soft cloth.
3. Read **Using The Cooktop**.
4. Turn on the power to the cooktop.
5. Verify all functions operate properly