

Combo Microwave-Oven

Model – CMO 800 T INSTALLATION GUIDE

INSTALLATION

1. Make sure all the packing materials are removed from the inside of the door.
2. Inspect the oven after unpacking for any visual damage such as: misaligned or damaged door, dents or holes in door window, screen and dents in cavity. If any these are visible, DO NOT use the oven.
3. This Microwave Oven weighs 32 lbs and must be placed on a horizontal surface strong enough to support this weight.
4. The oven must be placed away from high temperature and steam.
5. DO NOT place anything on top of the oven.
6. DO NOT remove the turn - table drive shaft.
7. As with any appliance, close supervision is necessary when used by children.

WARNING -THIS APPLIANCE MUST BE PROPERLY GROUNDED

1. The plug socket should be within easy reach of the power cord
2. This oven requires 1.5 KVA for its input.

CAUTION: This oven is protected internally by AC 110V, 8 Amp Fuse.

IMPORTANT

The wires in this mains lead are colored in accordance with the following code:

Green-and-yellow: Ground
Blue: Neutral
Brown: Positive

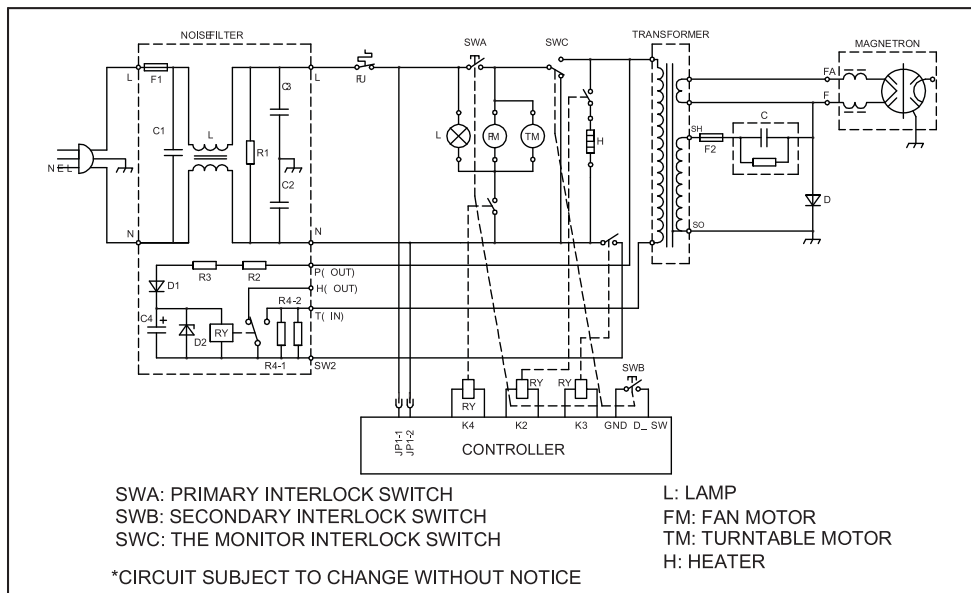
As the colors of the wires in the mains leads of the appliance may not correspond with the colored markings identifying the terminals in your plug, proceed as follows:

The green-and-yellow wire must be connected to the terminal in the plug which is marked with the letter E or by the earth symbol.

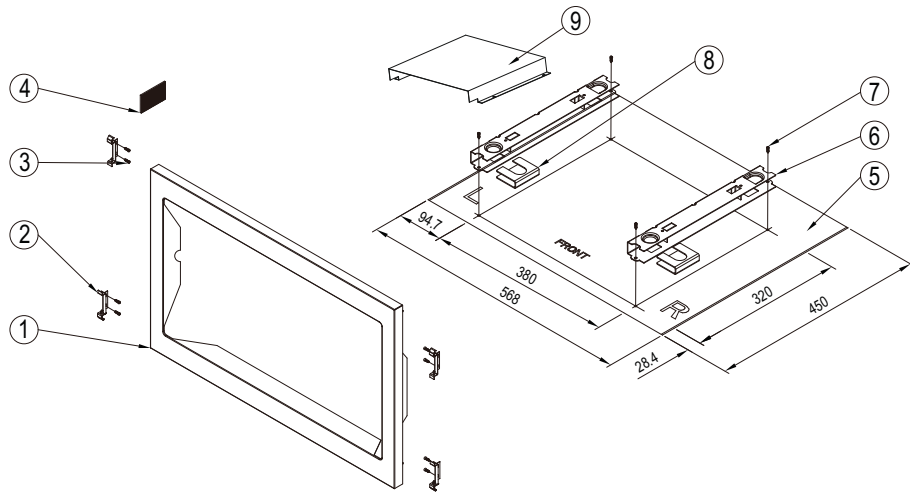
The blue wire must be connected to the terminal which is marked with the letter N or colored black.

The brown wire must be connected to the terminal which is marked with the letter L or colored red.

SCHEMATIC DIAGRAM



MICROWAVE INSTALLATION KIT

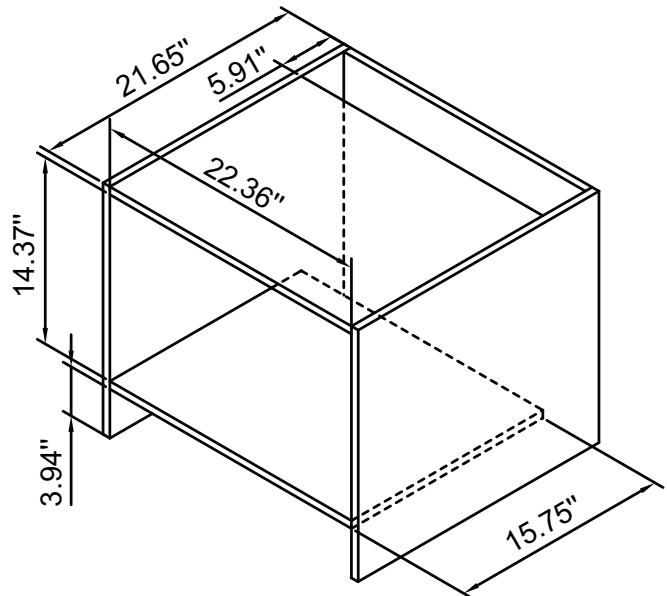
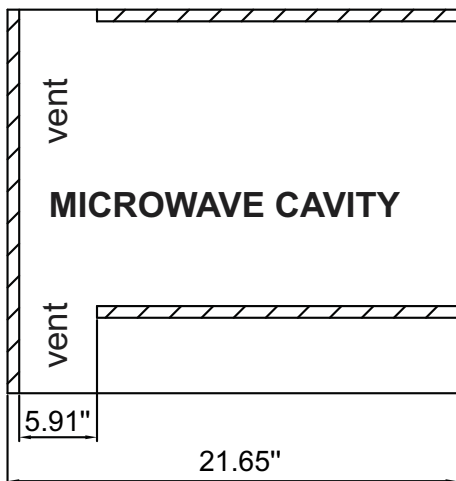


1. Frame	1 pc	4. Metal Piece	1 pc	7. Bolts (0.16" x 10.39")	4 pcs
2. Fixing Bolt	4 pcs	5. Base Setting Paper	1 pc	8. Locking Bracket	2 pcs
3. Bolts (0.12" x 0.47")	8 pcs	6. Mounting Bracket	2 pcs	9. Vent Shroud	1 pc

Technical Specifications of the Installation Kit

Cavity dimensions		Overall Kit Dimensions	
Internal Width	22.36"	Width	23.31"
External FRONT HEIGHT	14.37"	Height	14.80"
Depth	21.65"	Depth	0.79"

Microwave Oven Cabinet

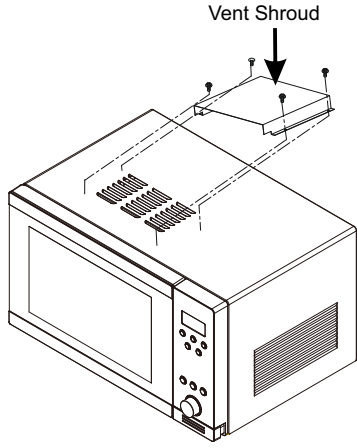


Attention: The bottom of the Microwave Oven should be 33.50" away from the floor at least while doing the installation.

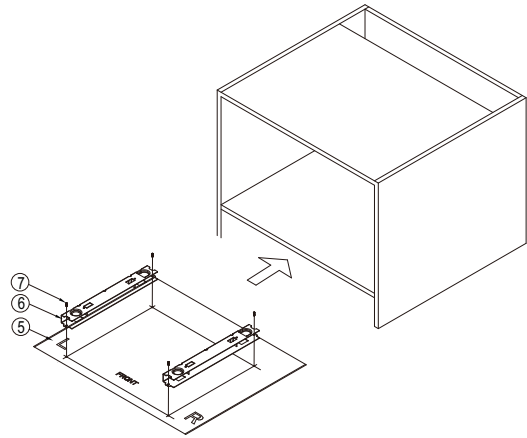
Cabinet Measurement Requirements (illustrated above):

1. Cabinet's inner dimension in transverse direction is 22.36". This is the minimum distance from the left batten to right batten. Do not alter.
2. Cabinet's inner dimension in lengthways direction is 14.37". This is the minimum distance from the left batten to right batten. Do not alter.
3. Cabinet's depth should be no less than 21.65".
4. Outside dimension of cabinet should be no less than 23.46" as the frame length is 23.31".
5. Cabinet's board less than 0.59" or 0.78" thick.

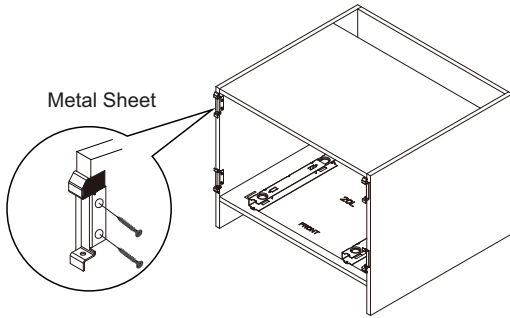
INSTALLATION STEPS



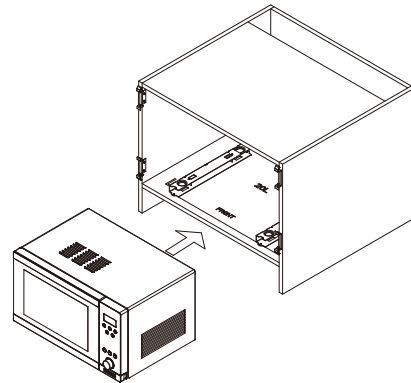
1. Install the Vent Shroud to the top of the microwave above the air inlet using the screws provided.



2. Fix the cabinet as per diagram above. Put the base setting paper (Component 5) on the bottom board of the cabinet cavity. Keep the paper's front edge and cabinet outside edge in one line. Then put the base (Component 6) on the paper and adjust their holes as per the hole position in the drawing. Then, fix the required bolts.

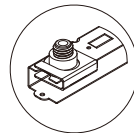


3. Fix Metal sheet end on the left and right of cabinet, another end on the upper and lower of cabinet. After fixing the metal sheet, then fix the buckle and let it touch another end of metal sheet tightly. Please pay attention that buckle's bent side shall be installed as to the drawing while fixing the buckle. Then press the buckle and take away metal sheet, tighten screws.

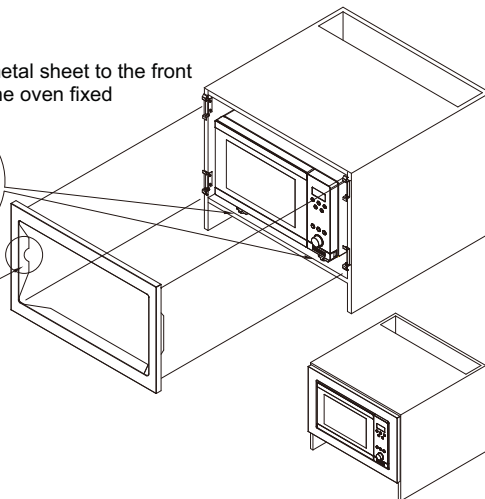


4. Put the Microwave Oven carefully into the cabinet, placing the underside of the Microwave Oven into the base plate now created.

Assemble fix metal sheet to the front two feet after the oven fixed



N.B. Indentation is on left-hand side



5. Keep the Microwave Oven in a horizontal direction. Push the metal piece of the frame into the metal buckle. The frame should now be installed.