

FC 5 **FC 5 Premium**

OPERATOR MANUAL

Floor Cleaner2

MANUAL DE USUARIO

Limpiador de piso22

MANUEL D'UTILISATION

Nettoyant pour sols.42



FLOOR CLEANER OPERATOR MANUAL

IMPORTANT SAFETY INSTRUCTIONS	3
READ ALL INSTRUCTIONS BEFORE USING THIS APPLIANCE	3
SAVE THESE INSTRUCTIONS	4
MODEL OVERVIEW	7
ASSEMBLY INSTRUCTIONS	8
OPERATING INSTRUCTIONS	9
CARE AND MAINTENANCE INSTRUCTIONS	16
TROUBLESHOOTING	20

IMPORTANT SAFETY INSTRUCTIONS

When using this device basic precautions should always be followed, including the following:

READ ALL INSTRUCTIONS BEFORE USING THIS APPLIANCE

For household use only!

⚠ **WARNING**

To reduce the risk of fire, electric shock, or injury:

- DO NOT LEAVE appliance unattended when plugged in. Unplug from outlet when not in use and before servicing.
- Do not expose to rain. Store indoors.
- Do not allow to be used as a toy. Close attention is necessary when used by or near children.
- Use only as described in this manual. Use only manufacturer's recommended attachments.
- Do not use with damaged cord or plug. If device is not working as it should, has been dropped, damaged, left outdoors, or dropped into water, please contact our Customer Care Group by calling 1-800-537-4129. Select the prompts for warranty services.
- Repairs must only be performed by an authorized service agent in accordance with national and local safety regulations. Unauthorized repairs could cause injury or machine damage.
- The voltage indicated on the type plate must correspond to the supply voltage.
- Do not pull or carry by the cord, do not use cord as a handle, do not close a door on the cord, or pull cord around sharp edges or corners. Do not run device over cord. Keep cord away from heated surfaces.
- Do not unplug by pulling cord. To unplug, grasp plug.
- Never touch the mains plug with wet hands.
- Use extra care when cleaning on stairs.
- Turn off all controls before unplugging.
- Never fill solvents, solvent-containing liquids or undiluted acids (e.g. not approved by KÄRCHER detergents, petrol, paint thinner, and acetone) into the water reservoir as these substances corrode the materials used in the device.
- Do not put any objects into openings. Do not use with any opening blocked.
- Never immerse the device in water or other liquids.
- Never use the device in pools containing water.
- Do not service the device when it is plugged in.
- Do not clean over floor electrical outlets.
- Create stability for the device prior to any work on or with the device to prevent accidents or damage.

- Keep hair, loose clothing, fingers and all parts of body away from openings and moving parts.
- Keep your hands protected while cleaning the suction head- risk of injury from sharp objects (e.g. splinters).
- The device may not be operated in explosive atmospheres.
- The air vents on the device must not be blocked up.
- Do not add acetic acids, descaling agents, essential oils or similar substances to the fresh water tank. Also ensure that the substances are not drawn in.
- Only use this device on sealed hard floors (e. g. varnished parquet, enamelled tiles, Linoleum).
- Store the device indoors in a cool, dry place.
- Only carry the device by the carrying handle.
- The device must not be used for the intake of sharp or large objects (e.g. shards, pebbles, toy parts).
- Do not use the device for cleaning of carpets or carpeted floors.
- Do not use the device over the floor vents of convector heaters. The device is not able to take in the water discharged when used above vents.
- Do not overfill the tank. Do not exceed the maximum filling level.
- Only switch on the device when the fresh water tank and waste water tank are fitted.
- Do not store and operate the device at temperatures below 32 °F (0 °C).
- Do not let the device operate in the same spot too long, as this may damage the floor.

PROP 65 WARNING



This product may contain one or more chemicals known to the state of California to cause cancer and birth defects or other reproductive harm.

Wash hands after handling.

SAVE THESE INSTRUCTIONS

Safety Alert Symbols

⚠ DANGER

Pointer to immediate danger, which leads to severe injuries or death.

⚠ WARNING

Pointer to a possibly dangerous situation, which can lead to severe injuries or death.

⚠ CAUTION

Pointer to a possibly dangerous situation, which can lead to minor injuries.

ATTENTION

Pointer to a possibly dangerous situation, which can lead to property damage.

Symbols on the machine

ATTENTION

Do not exceed MAX fill line on the waste water tank to avoid overflowing.

⚠ ATTENTION! Please observe the following procedure:



1. Ensure waste water tank is empty.



First empty dirt water tank



2. Fill fresh water tank not exceeding MAX level to avoid overflowing.



Then refill fresh water tank

Proper use

- This device is designed for cleaning sealed hard floors only in household applications.
- Do not clean unsealed floors such as untreated cork floors (the moisture could penetrate and damage the floor).
- The device is suitable for cleaning PVC, linoleum, tiled, stone, oiled and waxed parquet, laminate and all sealed floor coverings.

Any use extending beyond what is listed above is not considered as proper use. The manufacturer is not liable for any losses resulting from improper use.

Owner/User Responsibility

The owner and/or user must have an understanding of the manufacturer's operating instructions and warnings before using this device. Warning information should be emphasized and understood.

If the operator is not fluent in English, the manufacturer's instructions and warnings shall be read to and discussed with the operator in the operator's native language by the purchaser/owner, making sure that the operator comprehends its contents.

Owner and/or user must study and maintain for future reference the manufacturers' instructions.

Customer Service

Registration

Your device must be registered in order to help with any questions or issues that you have. You can register your device at www.karcher-register.com if located in the U.S.A., www.karcher.ca if located in Canada, or www.karcher.com/mx if located in Mexico.

Warranty

In the case of a warranty claim, you can contact customer support. Please see the contact information listed below for either the USA, Canada, or Mexico. You **MUST** provide your proof of purchase in order to file a warranty claim either via email, phone, or fax.

USA Customer Service

You can contact our Customer Service department by phone at **1-800-537-4129** or via the website at www.karcher-help.com.

Mexico Customer Service

You can contact our Customer Service department by phone at **01-800-024-13-13** or via the website at www.karcher.com/mx.

Canada Customer Service

You can contact our Customer Service department by phone at **1-800-465-4980** or via the website at www.karcher.com/ca.

Scope of delivery

The scope of delivery for the appliance is shown on the packaging. During unpacking, check the contents for completeness. If any accessories are missing or in the event of any shipping damage, please notify our Customer Service department as stated above either by phone or via the website.

Specifications

Power connection

Voltage	120 ~60	V Hz
---------	------------	---------

Protective class	II	
------------------	----	--

Protection class	IPX4	
------------------	------	--

Performance data

Intake performance	0.46	kW
--------------------	------	----

Roller revolutions per minute	500	rpm
-------------------------------	-----	-----

Filling quantity

Fresh water tank	13.5 (0.4)	oz l)
------------------	---------------	----------

Cleaning station	6.7 (0.2)	oz l)
------------------	--------------	----------

Dimensions

Cable length	25 (7.0)	ft m)
--------------	-------------	----------

Weight (without cleaning liquids)	11.02 (5.0)	lbs kg)
-----------------------------------	----------------	------------

Length	12.60 (320)	in mm)
--------	----------------	-----------

Width	10.63 (270)	in mm)
-------	----------------	-----------

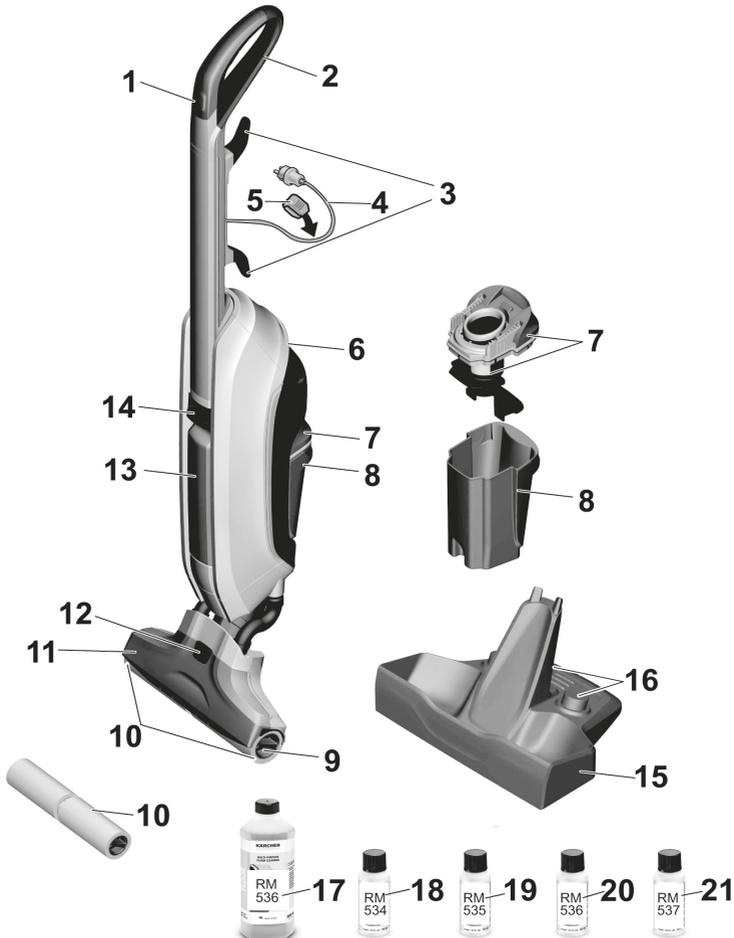
Height	48.03 (1220)	in mm)
--------	-----------------	-----------

Part No.	1.055-407.0 1.055-463.0	
----------	----------------------------	--

Subject to technical modifications!

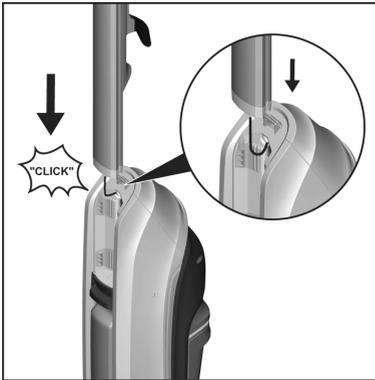
MODEL OVERVIEW

- | | | | |
|----|--------------------------------|-------|--------------------------|
| 1 | ON/OFF switch | 14 | Handle fresh water tank |
| 2 | Handle | 15 | Storage station |
| 3 | Cord release | 16 | Roller storage |
| 4 | Power Cord | | (Depending on equipment) |
| 5 | Cord clip | 17 * | Detergent RM 536 500 ml |
| 6 | Carrying handle | 18 ** | Detergent RM 534 30 ml |
| 7 | Waste water tank/separator lid | 19 ** | Detergent RM 535 30 ml |
| 8 | Waste water tank | 20 ** | Detergent RM 536 30 ml |
| 9 | Roller release grip | 21 ** | Detergent RM 537 30 ml |
| 10 | Cleaning rollers | 10 ** | Cleaning rollers 2 x |
| 11 | Suction head cover | * | FC 5 |
| 12 | Lock suction head | ** | FC 5 Premium |
| 13 | Fresh water tank | | |



ASSEMBLY INSTRUCTIONS

- Insert handle into the basic unit as far as it goes until you hear it click.



OPERATING INSTRUCTIONS

General operating information

CAUTION

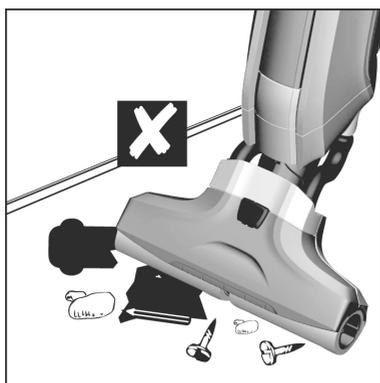
To avoid tripping on cord, hold device in one hand and cord in the other.

ATTENTION

This device must only be used for the intake of dirt and fluids (max. 8.5 oz / 0,25 L).



- Before cleaning, remove larger objects from the floor that could damage the device.



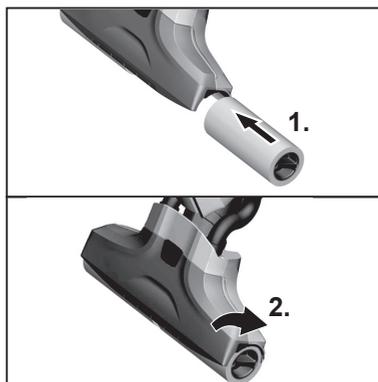
- Before use, check the floor for water consistency at suspect areas. Do not clean unsealed floors, such as untreated cork floors where moisture can penetrate and damage floor.
- Hold device at approximately 60-degree angle.
- Clean floor by moving device back and forth similar to vacuum cleaning until floor is clean.

Note

- To avoid striped patterns, test the device on an inconspicuous area before using on sensitive surfaces, e.g. wood or fine stone.
- Don't stay in one place, keep moving.
- Follow the instructions of the floor covering manufacturer.

Installing the rollers

- Screw the cleaning rollers onto the threaded rod up to the mechanical stop.
- Pay attention to the colour-codes on the inside of the roller and roller holder on the appliance (e.g. blue should match up with blue).
- After the installation, check to ensure that the cleaning rollers sit snugly.

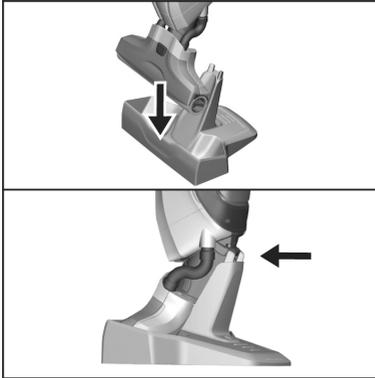


Fill fresh water reservoir

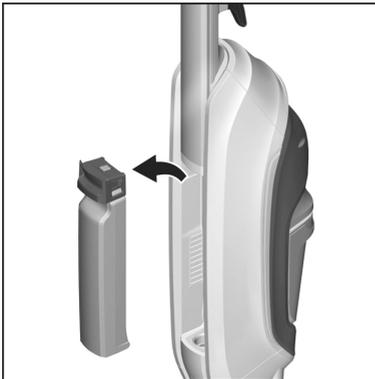
ATTENTION

Store device in storage station when not in use. A lack of stability can cause device to tip over leaking fluid and causing floor damage.

→ Store device in storage station when not in use.



→ Remove fresh water tank.

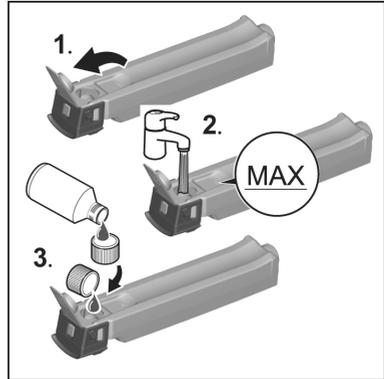


ATTENTION

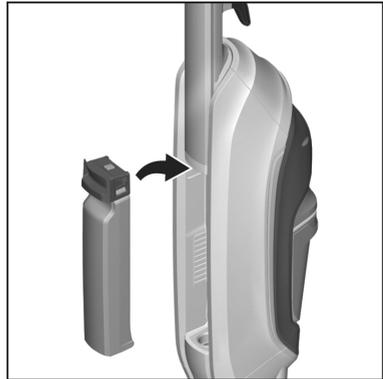
*Follow recommended dosage instructions on the detergent.

- 1 Open fresh water tank lock.
- 2 Fill fresh water tank with cold or lukewarm tap water.
Do not exceed "MAX" fill line.
- 3 KÄRCHER detergents can be added to fresh water tank as required.*

See chapter Using detergents.
→ Close tank lock.



→ Insert fresh water tank until you hear a click.



Operating device

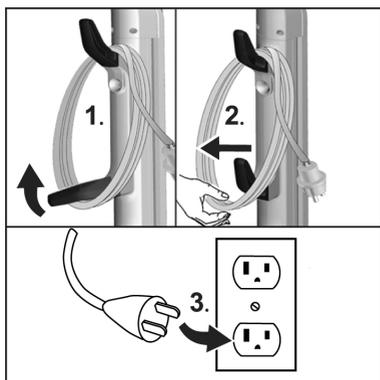
CAUTION

Cleaning rollers will start to rotate when device is powered on. Hold the handle tight to prevent the device from moving forward by itself.

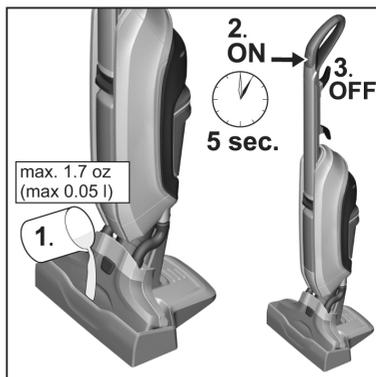
ATTENTION

The device should only be operated with water. Before operating, ensure fresh water tank is full and waste water tank is empty.

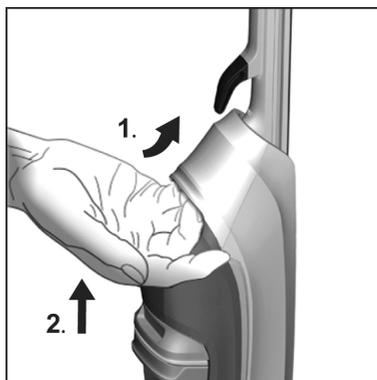
- 1 Remove the power cord by swiveling cord releases and plug into an outlet.



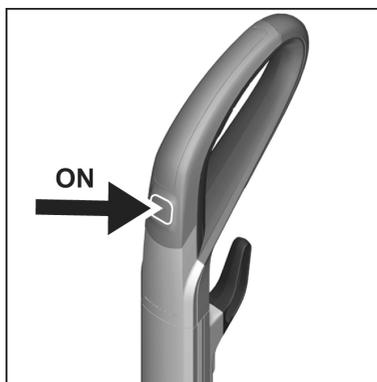
- 1 To quickly wet rollers, use measuring cup to fill the storage station with 1.7 oz (0,05 l) of fresh water.
- 2 Press On/Off button to power ON device and place in storage station for 5 seconds.
The device now has correct level of moisture to allow for cleaning.
- 3 Press On/Off button to power OFF device.



- Remove the device from storage station and place on floor.



- Firmly hold device using handle.
→ Press On/Off button to power ON device.

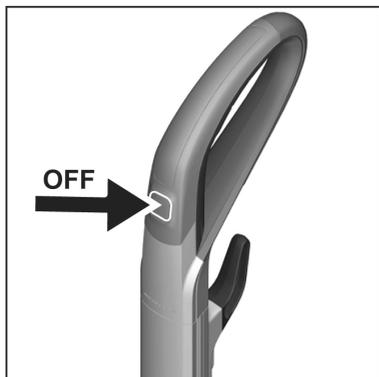


When Not Operating

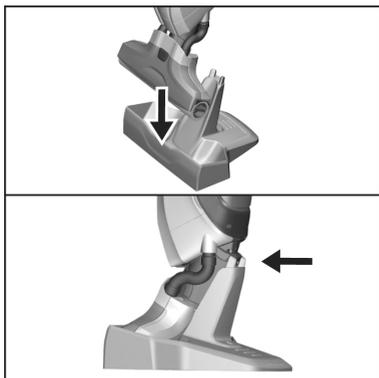
ATTENTION

Store device in storage station when not in use. A lack of stability can cause device to tip over leaking fluid and causing floor damage.

→ Press On/Off button to power OFF device.



→ Place device into storage station.



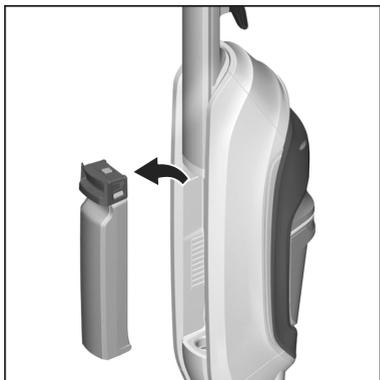
Refill detergent

ATTENTION

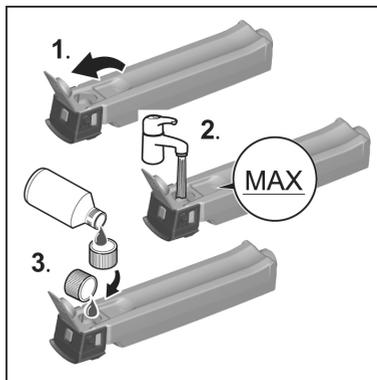
Before filling the fresh water tank, empty waste water tank to avoid overflowing.

See Chapter "Emptying the waste water tank".

→ Remove fresh water tank.

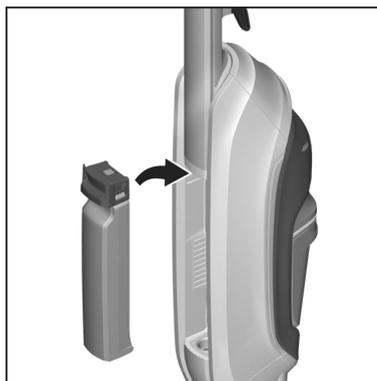


- 1 Remove tank cap.
- 2 Fill the fresh water tank with cold or lukewarm tap water. Do not exceed "MAX" fill line.
- 3 KÄRCHER detergents can be added to fresh water tank as required.* See chapter Using detergents.



→ Close tank lock.

→ Insert fresh water tank until you hear a click.

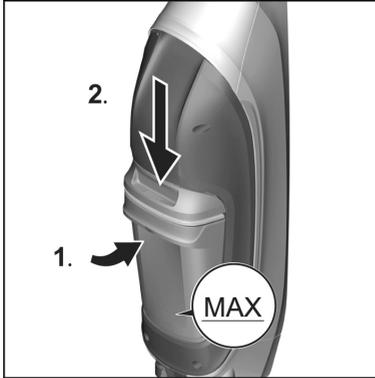


Emptying waste Water tank

ATTENTION

After cleaning is finished, clean device in rinse cycle. See "Cleaning device"

→ To remove waste water tank, squeeze upper lid while pulling out.



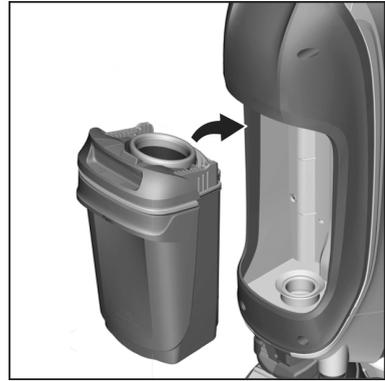
→ Remove waste water tank.



- 1 Remove lid from waste water tank.
- 2 Empty waste water tank and rinse with tap water.
- 3 To secure lid, place on waste water tank and press until it clicks.



→ Insert waste water tank into device until it clicks.

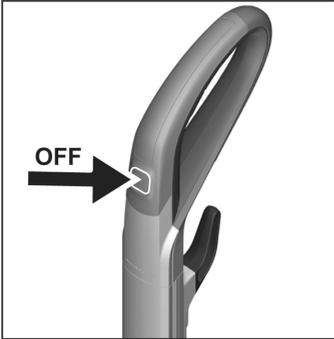


Press On/Off button to power OFF.

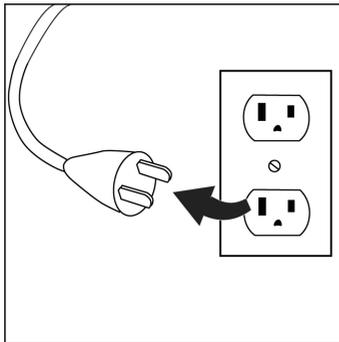
ATTENTION

After completing the work, clean the appliance by applying a rinse cycle. See "Cleaning the appliance by rinsing".

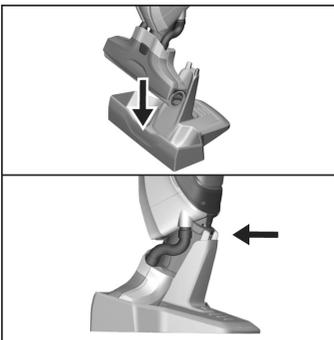
- Press On/Off button to power OFF device.



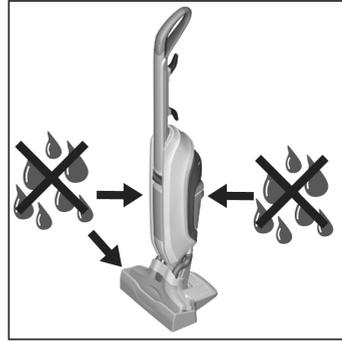
- Unplug from socket.



- Place device into storage station.



- Empty both fresh and waste water tanks.



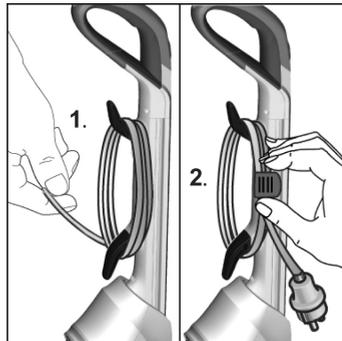
- Empty waste water tank. See Chapter "Emptying waste water tank".

Storing the Device

ATTENTION

To prevent odors empty and rinse the fresh water and waste water tanks before storing.

- Move device using the handle and store in the storage station.
- Store the device indoors in a cool, dry place.



CARE AND MAINTENANCE INSTRUCTIONS

Cleaning device

ATTENTION

Rinse the device with fresh water in the storage station when finished using.

→ Press On/Off button to power OFF device.

→ Place device into storage station.

→ Empty any remaining liquid in fresh water tank.

1 Empty the waste water tank.
See Chapter "Emptying the waste water tank".

Re-insert waste water tank.

2 Fill the measuring cup with 6.7 oz (0,2 l) water.

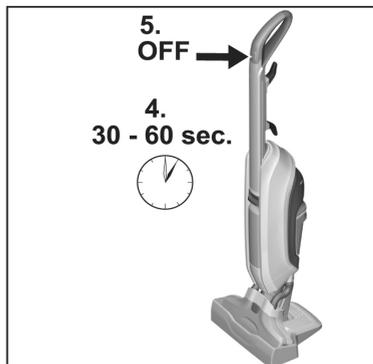
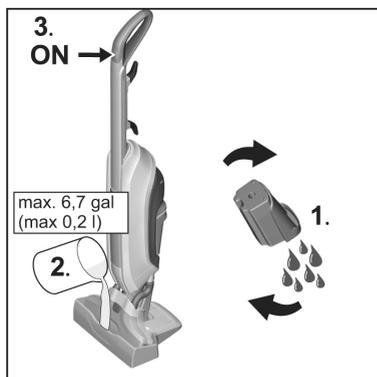
Fill storage station with water.

If necessary, add appropriate KÄRCHER detergents

3 Press On/Off button to power ON device.

4 Allow device to run for 30-60 seconds until water is completely drawn out of storage station.
The rinsing procedure is now complete.

5 Press On/Off button to power OFF device.



Note

Continue running the device to reduce the amount of moisture left in rollers.

→ Empty fresh and waste water tanks.
See Chapters "Emptying fresh water tank" or "Emptying waste water tank."

→ Unplug from socket.

Cleaning rollers

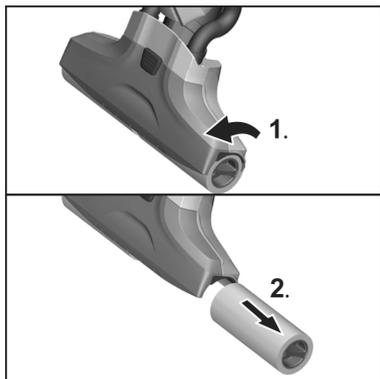
ATTENTION

To prevent liquid from leaking from tanks, empty fresh and waste water tanks before laying device on ground.

Note

If rollers are excessively dirty, remove from device and clean.

- Press On/Off button to power OFF device.
- Unplug from socket.
- Empty fresh and waste water tanks. See Chapters "Emptying fresh water tank" and "Emptying waste water tank."
- Remove cleaning rollers.



- Clean rollers under running water.
- or
- Wash rollers in washing machine up to 140 °F (60 °C).

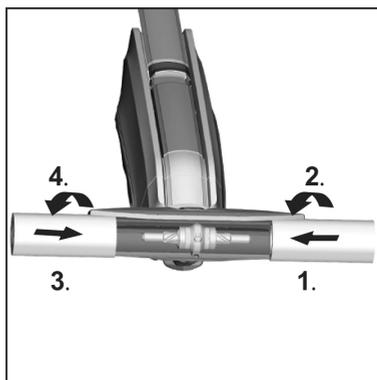
ATTENTION

To avoid damaging the washing machine, we recommend placing the rollers in a laundry net and loading the washing machine with additional laundry.

ATTENTION

Do not use:

- After cleaning, allow the rollers to air-dry.
- Screw cleaning rollers in until tight



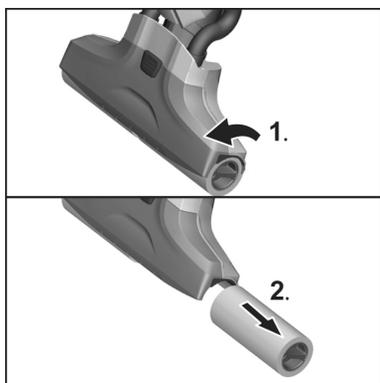
- Match colour coding between roller and holder (e.g., connect blue with blue), and ensure rollers are secure.

Cleaning the suction head

ATTENTION

To avoid performance issues, clean device of large debris. While the appliance is working, these parts will cause a rattling noise or will block up the suction ducts, diminishing suction performance.

- Press On/Off button to power OFF device.
- Unplug from socket.
- Remove the cleaning rollers. See "Cleaning the rollers".

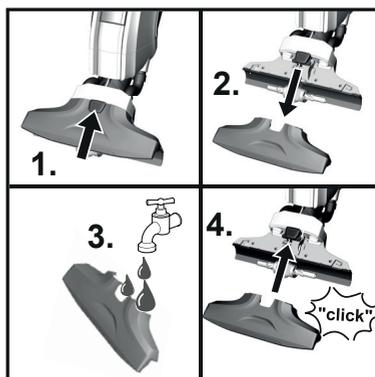


- 1 Press the suction head lock.
- 2 Take off the suction head lid.
- 3 Clean suction head cover under running water.

If necessary, remove particle deposits from suction ducts and slits in the suction head cover.

Clean the suction head with a damp cloth.

- 4 Fix the suction head lid onto the suction head.



Note

When attached to the suction head the suction head lid must lock in place audibly.

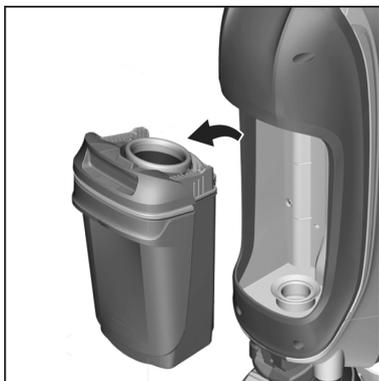
- Screw cleaning rollers onto the threaded rod until secure. See "Cleaning the rollers".

Clean waste water tank

ATTENTION

Regularly clean waste water tank to prevent blockage to separator and to prevent dirt from building in tank.

- Press On/Off button to power OFF device.
- Place device into storage station.
- Unplug from socket.
- Remove waste water tank.
See Chapter "Emptying the waste water tank".



- Clean waste water tank lid and tank with tap water.



Note

The waste water tank can also be cleaned in the dishwasher.

- After cleaning, attach lid and insert waste water tank into device.

Using detergents

ATTENTION

Detergents containing bleach, ammonia, or other corrosive substances is not permitted for use in this machine. The use of non-approved detergents can damage the appliance and will void the warranty.

Note

Add KÄRCHER detergent as required.

- When dosing detergent, follow the manufacturer's instructions.
- To prevent foaming, fill fresh water tank with water then add detergent.
- To avoid overfilling, leave room for detergent when filling with water.

TROUBLESHOOTING

⚠ DANGER

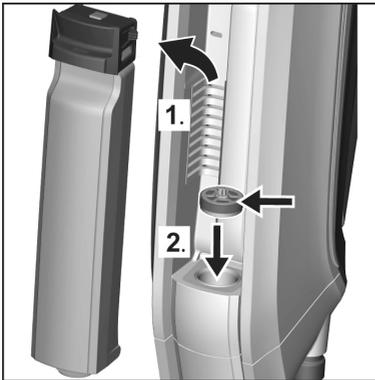
Turn off the appliance and remove the mains plug prior to any care and maintenance work.

Failures are often simple and can be fixed using the following guidelines. If the issue is not listed here, please contact customer service.

Rollers not wet

Filter inlay is not inserted.

- Remove fresh water tank and insert filter inlay with rubber pin facing upwards.



Filter inlay is inserted wrong way.

- Remove filter inlay and insert with pin facing upwards.
- The suction hose is blocked.
- Carefully remove suction hoses from the suction head.



- Place the suction hoses in cold water for 10–20 minutes.
- Clean suction hoses with a dull object and/or under running water.

No dirt pick up

No water in fresh water tank.

- Fill the fresh water tank with cold or lukewarm tap water.

Fresh water tank does not fit properly in the device.

- Insert fresh water tank until you hear a click.

Cleaning rollers missing or not fitted correctly.

- Fit the cleaning rollers or turn them onto the roller holder until secure. See "Cleaning the rollers".

Cleaning rollers are dirty or worn.

- Clean the cleaning rollers.
- or
- Replace the cleaning rollers.

Rollers do not turn

Rollers are blocked.

- Remove rollers and check if an object is blocking rollers.
See "Cleaning the rollers".

Loud rattling when powered on

Rollers are too dry.

- Moisten rollers with 1.7 oz (0,05 l) of water in storage station.
See "Start working".

Noise in suction head

There are parts (e.g. stones or splinters).

- Remove suction head lid and clean the suction head.
See Chapter "Cleaning the suction head".

Suction power decreases

The suction ducts and slits on the suction head are blocked.

- Remove suction head lid and clean the suction head.
See Chapter "Cleaning the suction head".

Appliance leaking waste water

Waste water tank is overfilled.

- Empty waste water tank.
See Chapter "Cleaning the waste water tank".

Waste water tank does not fit properly.

- Check whether cover is secure on waste water tank.
See Chapter "Cleaning the waste water tank".

Separator is blocked.

- Remove cover from waste water tank and clean separator.
See Chapter "Cleaning the waste water tank".

The filter net of the waste water tank separator was damaged during cleaning.

- Replace separator.

Streaks on floor

Detergent used was not effective or improperly used.

- Only use detergents approved by KÄRCHER.
See chapter "Using detergents".
- Follow the manufacturer's dosage instructions.

Initial moistening of rollers.

- Completely moisten rollers.

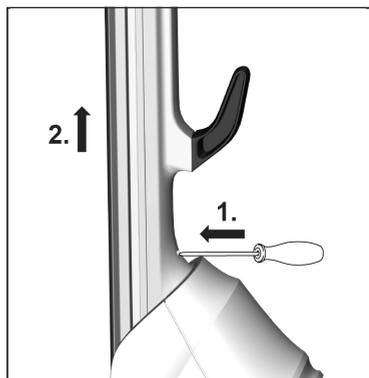
Removing handle from device

ATTENTION

Do not remove handle from the device once assembled.

The handle may only be removed for shipping service purposes.

- Insert screwdriver at a 90 degree angle in small opening at rear of device and simultaneously pull handle up until it slides off.



ATTENTION

Please ensure cord between body and handle are not damaged.

MANUAL DEL OPERADOR DEL LIMPIADOR DE PISO

INSTRUCCIONES IMPORTANTES DE SEGURIDAD	23
LEA TODAS LAS INSTRUCCIONES ANTES DE UTILIZAR EL PRODUCTO	23
CONSERVE ESTAS INSTRUCCIONES	24
VISTA GENERAL DEL MODELO	27
INSTRUCCIONES DE MONTAJE	28
INSTRUCCIONES DE FUNCIONAMIENTO	29
INSTRUCCIONES DE CONSERVACIÓN Y MANTENIMIENTO	36
LOCALIZACIÓN Y REPARACIÓN DE AVERÍAS	40

INSTRUCCIONES IMPORTANTES DE SEGURIDAD

Al utilizar este dispositivo, es necesario adoptar determinadas precauciones básicas de seguridad, entre las que se incluyen las siguientes:

LEA TODAS LAS INSTRUCCIONES ANTES DE UTILIZAR EL PRODUCTO

Sólo para uso doméstico

⚠ **ADVERTENCIA**

Para reducir el riesgo de fuegos, descarga eléctrica o lesiones:

- **NO ABANDONAR** la unidad mientras esté enchufada. Desenchufar cuando no esté en uso y antes de revisar.
- No exponga la herramienta a la lluvia. Guárdela en un lugar seco.
- No permita que se use como juguete. Prestar mucha atención cuando sea usado por y cerca de niños.
- Usar exclusivamente como se describe en este manual. Usar solamente con los complementos recomendados por el fabricante.
- No lo utilice si el enchufe o el cable están dañados. En caso de que el dispositivo no funcione correctamente, que se haya caído, estropeado, dejado al aire libre o se haya sumergido en agua, póngase en contacto con nuestro Grupo de atención al cliente llamando al +01 800 024 1313. Seleccione las indicaciones para los servicios de garantía.
- Las reparaciones solo las deben realizar técnicos autorizados conforme a los reglamentos de seguridad nacionales y locales. Las reparaciones no autorizadas podrían ocasionar lesiones o dañar el aparato.
- La tensión de alimentación tiene que coincidir con la indicada en la placa de características.
- No tire del dispositivo ni lo transporte por el cable; no utilice el cable como empuñadura; no deje que el cable quede atrapado al cerrar una puerta; ni tire del cable en torno a bordes cortantes o esquinas. No deje que el dispositivo pase por encima del cable. Mantenga el cable alejado de las superficies con calor.
- No tirar del cable para desenchufar el aparato. Para desenchufar, tome el enchufe.
- No toque nunca la clavija con las manos mojadas.
- Usar con especial cuidado cuando limpie escaleras.
- Apagar los mandos de control antes de desenchufar.
- No introduzca nunca disolventes, líquidos que contengan disolventes o ácidos sin diluir (p. ej., detergentes no aprobados por KÄRCHER, gasolina, disolvente y acetona) en el depósito de agua, ya que estas sustancias pueden corroer los materiales del dispositivo.
- No introducir objetos en los orificios. No usar con aberturas bloqueadas.

- No sumerja nunca el dispositivo en agua ni en otros líquidos.
- No utilice nunca el dispositivo en piscinas llenas de agua.
- No realice el mantenimiento del dispositivo cuando este se encuentre enchufado.
- No limpiar por encima de enchufes de suelo.
- Antes de utilizar o realizar cualquier tarea en el dispositivo, asegúrese de que se encuentre en una posición estable para evitar accidentes y que no se dañe.
- Mantener el cabello, la ropa floja, los dedos y todas las partes del cuerpo alejadas de los orificios y partes móviles.
- Proteger las manos durante la limpieza del cabezal de aspiración ya que existe riesgo de lesiones causadas por objetos afilados (p. ej. astillas).
- El dispositivo no se puede utilizar en entornos explosivos.
- Los orificios de ventilación del dispositivo no pueden estar bloqueados.
- No llenar el depósito de agua fresca con ácidos acéticos, descalcificadores, aceites esenciales o sustancias similares. Procurar no aspirar dichas sustancias.
- Este dispositivo solo se puede utilizar en suelos resistentes sellados (p. ej., parqué barnizado, azulejos esmaltados o linóleo).
- Guardar el equipo en un lugar interior fresco y seco.
- Transporte el dispositivo por su empuñadura.
- Este dispositivo no se debe utilizar para introducir objetos grandes o puntiagudos (p. ej., fragmentos de suelos, piedras pequeñas o piezas de juguetes).
- No utilice este dispositivo para limpiar alfombras o suelos enmoquetados.
- No utilice este dispositivo por encima de los orificios de ventilación del suelo de calentadores por convección. Este dispositivo no puede recoger el agua descargada cuando se utiliza sobre los orificios de ventilación.
- No llenar en exceso el depósito. No exceder el nivel de llenado máximo.
- Encienda únicamente el dispositivo cuando estén instalados los depósitos de agua fresca y de agua sucia.
- No guarde ni utilice el dispositivo a temperaturas inferiores a 32 ° F (0 ° C).
- No permita que se utilice el dispositivo durante demasiado tiempo en el mismo lugar, ya que esto podría dañar el suelo.

PROP 65 AVERTENCIA



Este producto puede contener determinadas sustancias químicas que pueden provocar cáncer, enfermedades congénitas y otros problemas en la salud reproductora de acuerdo con el estado de California.

Lávese las manos antes de manipularlo.

**CONSERVE
ESTAS
INSTRUCCIONES**

Símbolos de aviso de seguridad

⚠ **PELIGRO**

Aviso sobre un riesgo de peligro inmediato que puede provocar lesiones corporales graves o la muerte.

⚠ **ADVERTENCIA**

Aviso sobre una situación probablemente peligrosa que puede provocar lesiones corporales graves o la muerte.

⚠ **PRECAUCIÓN**

Indicación sobre una situación que puede ser peligrosa, que puede acarrear lesiones leves.

CUIDADO

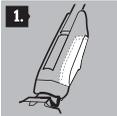
Aviso sobre una situación probablemente peligrosa que puede provocar daños materiales.

Símbolos en el aparato

CUIDADO

Para evitar desbordamientos, no deje que se supere la línea de llenado «MAX» del depósito de agua sucia.

⚠ **ATTENTION!** Respetar el siguiente procedimiento:



1.

1. Asegúrese de que el depósito de agua sucia esté vacío.



First empty dirt water tank



2.

2. Llene el depósito de agua fresca sin superar el nivel «MAX» para que no se desborde.



Then refill fresh water tank

Uso previsto

- Este dispositivo ha sido diseñado para la limpieza de suelos resistentes sellados únicamente en entornos domésticos.
- No limpie suelos que no estén sellados, como los suelos de corcho sin tratar (podría penetrar humedad y dañarse el suelo).
- Este dispositivo está indicado para la limpieza de superficies de PVC, linóleo, de azulejos, de piedra, parqué encerado y aceitado, suelos laminados y todo tipo de coberturas para suelo selladas.

Cualquier uso diferente a éstos se considerará un uso no previsto. El fabricante no se hace responsable de los daños causados por un uso no previsto; el usuario será el único que correrá con este riesgo.

Responsabilidades del propietario/usuario

El propietario y/o el usuario deben comprender bien las instrucciones de servicio y advertencias del fabricante antes de empezar a utilizar el aparato. Debe prestarse especial atención y tener muy claras las advertencias.

Si el operador no habla bien el español, el propietario/comprador debe responsabilizarse de leer y comentar las instrucciones y las advertencias en su lengua natal, y asegurarse de que entienda a la perfección su contenido.

El propietario y/o el usuario deben leer y guardar como referencia para el futuro las instrucciones del fabricante.

Servicio al cliente

Registro

Debe registrar su dispositivo para poder recibir ayuda con cualquier pregunta o problema que tenga. Puede registrar su dispositivo en www.karcher-register.com si se encuentra en los EE. UU., www.karcher.ca si se encuentra en Canadá, o www.karcher.com/mx si se encuentra en México.

Garantía

Si tiene una reclamación de garantía, puede contactar al servicio de atención al cliente. Consulte la información de contacto que se indica a continuación para EE.UU., Canadá o México. DEBE proporcionar su comprobante de compra para presentar una reclamación de garantía por correo electrónico, teléfono o fax.

Servicio al cliente en EE.UU.

Puede comunicarse con nuestro departamento de Atención al Cliente por teléfono al **1-800-537-4129** o en la página web www.karcher-help.com.

Servicio al cliente en México

Puede comunicarse con nuestro departamento de Atención al Cliente por teléfono al **01-800-024-13-13** o en la página web www.karcher.com/mx.

Atención al cliente en Canadá

Puede comunicarse con nuestro departamento de Atención al Cliente por teléfono al **1-800-465-4980** o en la página web www.karcher.com/ca.

Cobertura de la entrega

La cobertura de la entrega del aparato se indica en el embalaje. Al desempaquetarlo, compruebe que el contenido esté completo. Si falta algún accesorio

o si se produce algún daño durante el transporte, notifique a nuestro departamento de Atención al Cliente tal como se ha indicado anteriormente por teléfono o en la página web.

Datos técnicos

Toma de corriente		
Tensión	120 ~60	V Hz
Clase de protección	II	
Grado de protección	IPX4	
Potencia y rendimiento		
Potencia de absorción	0.46	kW
Revoluciones por minuto de los rodillos	500	rpm
Cantidad de llenado		
Depósito de agua limpia	13.5 (0.4)	oz l)
Estación de limpieza	6.7 (0.2)	oz l)
Medidas		
Longitud del cable	25 (7.0)	ft m)
Peso (sin líquido de limpieza)	11.02 (5.0)	lbs kg)
Longitud	12.60 (320)	in mm)
Anchura	10.63 (270)	in mm)
Altura	48.03 (1220)	in mm)
Nº de pieza	1.055-407.0 1.055-463.0	

Reservado el derecho a realizar modificaciones técnicas.

El valor afecta solo a dispositivos para México:

CONSUMO DE ENERGIA

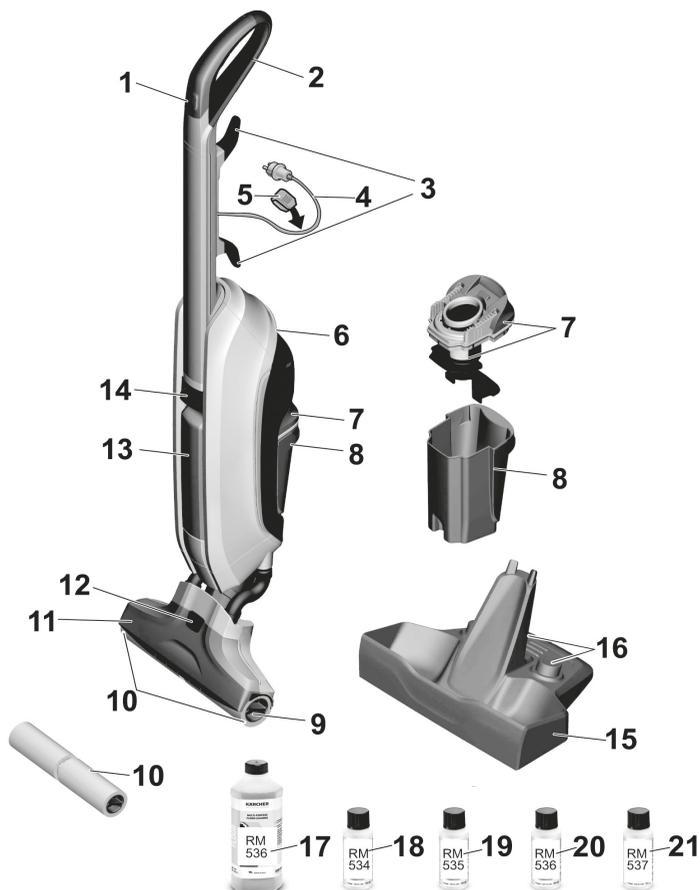
1. En Operación: 398,646 Wh

2. En Modo de Espera: N/A

Modelo: FC 5

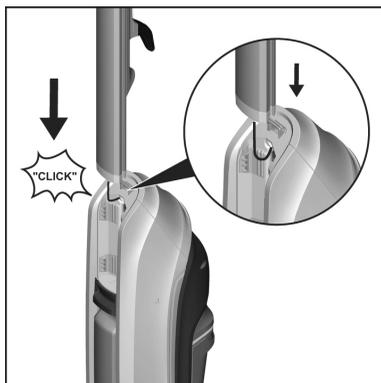
VISTA GENERAL DEL MODELO

- | | | | |
|----|--|-----------------------------|---------------------------------|
| 1 | Interruptor ON/OFF | 13 | Depósito de agua limpia |
| 2 | Mango | 14 | Asa del depósito de agua fresca |
| 3 | Salientes para soltar el cable | 15 | Estación de almacenamiento |
| 4 | Power Cord | 16 | Almacenaje de los rodillos |
| 5 | Presilla para el cable | En función del equipamiento | |
| 6 | Asa de transporte | 17 * | Detergente RM 536 500 ml |
| 7 | Tapa del depósito de agua sucia/ separador | 18 ** | Detergente RM 534 30 ml |
| 8 | Depósito de agua sucia | 19 ** | Detergente RM 535 30 ml |
| 9 | Empuñadura para soltar el rodillo | 20 ** | Detergente RM 536 30 ml |
| 10 | Rodillos de limpieza | 21 ** | Detergente RM 537 30 ml |
| 11 | Cubierta del cabezal de aspiración | 10 ** | Rodillos de limpieza 2 x |
| 12 | Bloqueo del cabezal de aspiración | | |



INSTRUCCIONES DE MONTAJE

- ➔ Introduzca la empuñadura en la unidad básica hasta que escuche un clic.



INSTRUCCIONES DE FUNCIONAMIENTO

Información general sobre funcionamiento

PRECAUCIÓN

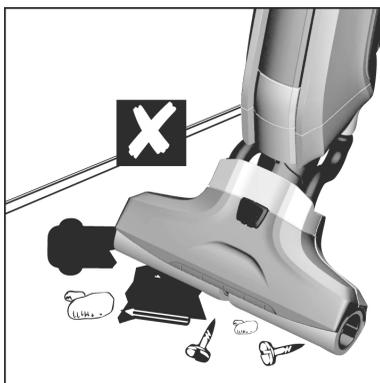
Para no tropezar con el cable, sujete el dispositivo con una mano y el cable con la otra.

CUIDADO

Este dispositivo solo se puede utilizar para introducir suciedad y líquidos (máx. 0,25 l/8.5 oz).



- Antes de comenzar la limpieza, saque del suelo los objetos más grandes que podrían estropear el dispositivo.



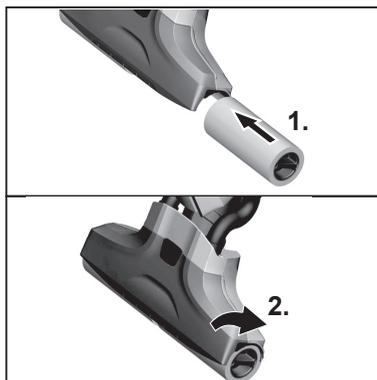
- Antes de utilizarlo, compruebe la resistencia al agua del suelo en las zonas que le generen dudas. No limpie suelos que no estén sellados, como los suelos de corcho sin tratar en los cuales podría penetrar humedad y estropear el suelo.
- Sujete el dispositivo en un ángulo de 60 grados, aproximadamente.
- Limpie el suelo moviendo el dispositivo hacia atrás y hacia delante, como si estuviera utilizando una aspiradora, hasta que el suelo esté limpio.

Notas

- Para evitar rayones, probar el equipo en superficies sensibles (por ejemplo, de madera o gres cerámico fino) en un lugar poco visible antes de utilizarlo.
- No se debe insistir en una zona concreta, sino mantener el equipo en movimiento.
- Respetar las indicaciones del fabricante del suelo.

Montaje de los rodillos

- Enroscar los rodillos de limpieza hasta el tope en el soporte de rodillos.
- Tener en cuenta la asignación cromática del lado interno de los rodillos y del soporte de rodillos en el equipo (p. ej. azul con azul).
- Tras el montaje, comprobar si los rodillos de limpieza están firmemente asentados.

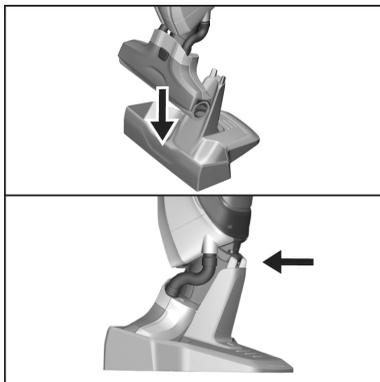


Rellenar el depósito de agua limpia

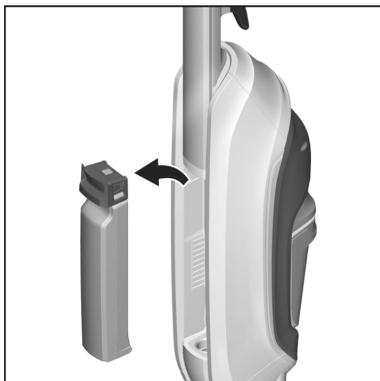
CUIDADO

Guarde el dispositivo en la estación de almacenamiento cuando no lo esté utilizando. De no colocarse en una superficie estable, el dispositivo podría volcarse y derramar el líquido, lo que estropearía el suelo.

→ Guarde el dispositivo en la estación de almacenamiento cuando no lo esté utilizando.



→ Saque el depósito de agua fresca.



CUIDADO

*Siga las instrucciones de dosificación del detergente recomendadas.

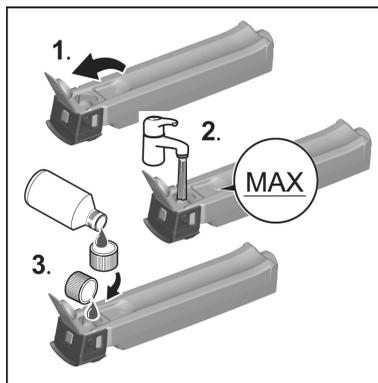
1 Abra el cierre del depósito de agua fresca.

2 Llene el depósito de agua fresca con agua corriente fría o templada. No sobrepase la línea de llenado «MAX».

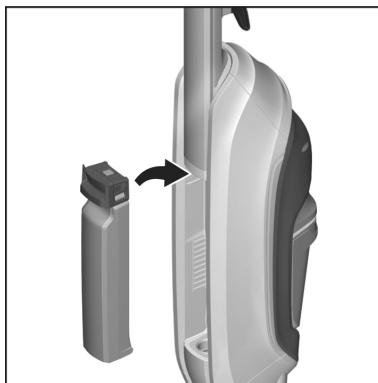
3 En el depósito de agua fresca se pueden añadir detergentes KÄRCHER en función de las necesidades.*

Consulte el capítulo Uso de detergentes.

→ Cerrar la tapa del depósito.



→ Introduzca el depósito de agua fresca hasta que escuche un clic.



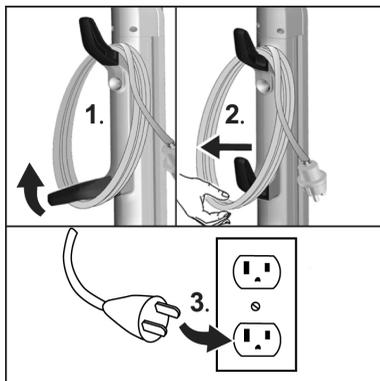
PRECAUCIÓN

Cuando se encienda el dispositivo, los rodillos de limpieza comenzarán a girar. Mantenga bien sujeta la empuñadura para que el dispositivo no avance por sí solo.

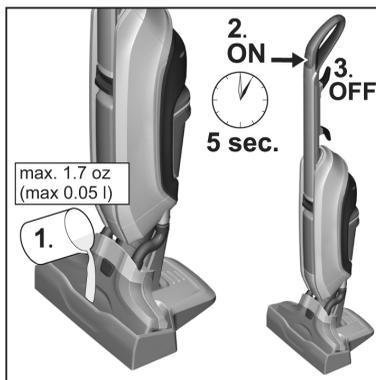
CUIDADO

El dispositivo solo se puede utilizar con agua. Antes de utilizarlo, compruebe que el depósito de agua fresca esté lleno y el depósito de agua sucia, vacío.

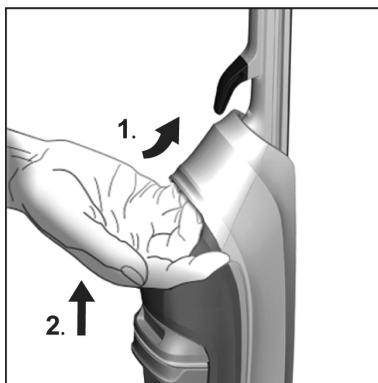
- 1 Saque el cable de alimentación girando los salientes y enchúfelo en una toma eléctrica.



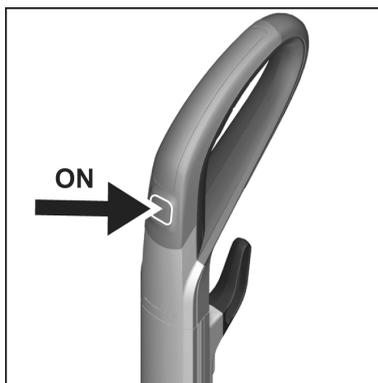
- 1 Para humedecer con rapidez los rodillos, utilice el vaso medidor para llenar la estación de almacenamiento con 0,05 l (1.7 oz) de agua fresca.
- 2 Pulse el botón on/off para encender el dispositivo y colóquelo en la estación de almacenamiento durante 5 segundos. Una vez transcurrido ese tiempo, el dispositivo tendrá el nivel adecuado de humedad para poder empezar con la limpieza.
- 3 Presione el botón on/off para apagar el dispositivo.



- Saque el dispositivo de la estación de almacenamiento y colóquelo en el suelo.



- Sujete bien el dispositivo por la empuñadura.
- Presione el botón on/off para encender el dispositivo.

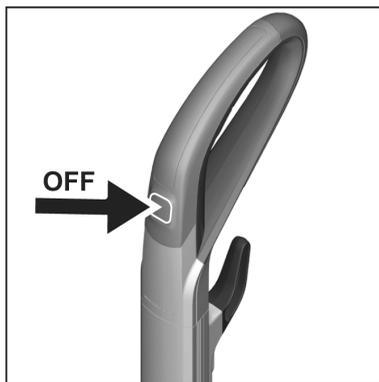


Cuando no esté en uso

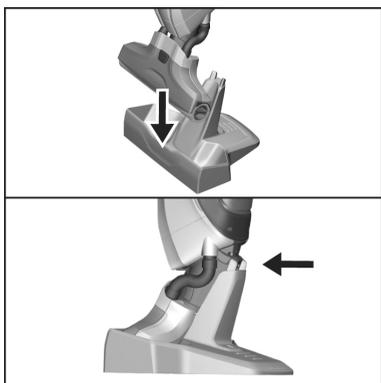
CUIDADO

Guarde el dispositivo en la estación de almacenamiento cuando no lo esté utilizando. De no colocarse en una superficie estable, el dispositivo podría volcarse y derramar el líquido, lo que estropearía el suelo.

→ Presione el botón on/off para apagar el dispositivo.



→ Coloque el dispositivo en la estación de almacenamiento.



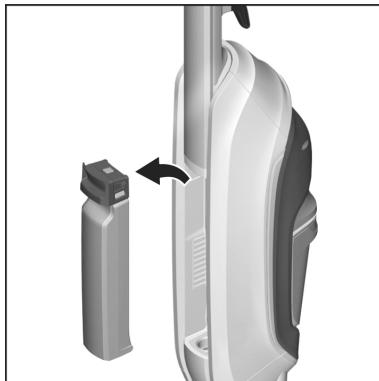
Llenado de detergente líquido

CUIDADO

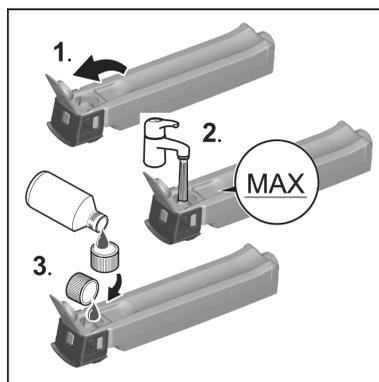
Antes de llenar el depósito de agua fresca, vacíe el depósito de agua sucia para que no se desborde.

Véase el capítulo "Vaciado del depósito de agua sucia".

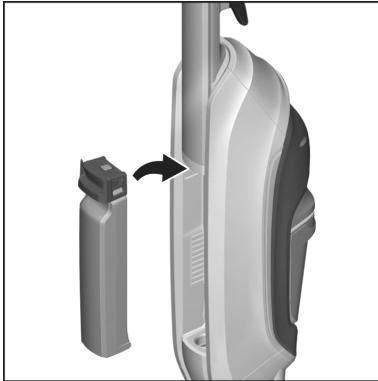
→ Saque el depósito de agua fresca.



- 1 Saque la tapa de cierre del depósito.
- 2 Llenar el depósito de agua fresca con agua del grifo fría o tibia. No sobrepase la línea de llenado «MAX».
- 3 En el depósito de agua fresca se pueden añadir detergentes KÄRCHER en función de las necesidades.* Consulte el capítulo Uso de detergentes.



- Cerrar la tapa del depósito.
- Introduzca el depósito de agua fresca hasta que escuche un clic.

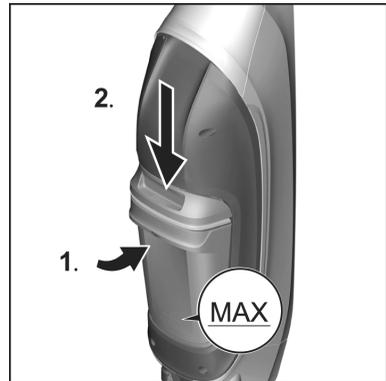


Vaciado del depósito de agua sucia

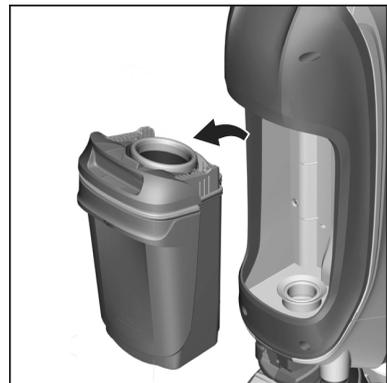
CUIDADO

Una vez terminada la limpieza, limpie el dispositivo con el ciclo de aclarado. Consulte «Limpieza del dispositivo»

- Para sacar el depósito de agua sucia, apriete la tapa de arriba mientras tira hacia fuera.



- Extraiga el depósito de agua sucia.



- 1 Saque la tapa del depósito de agua sucia.
- 2 Vacíe el depósito de agua sucia y aclárelo con agua.
- 3 Para fijar la tapa, colóquela en el depósito de agua sucia y presiónela hasta que haga clic.



- Introduzca el depósito de agua sucia en el dispositivo hasta que haga clic.

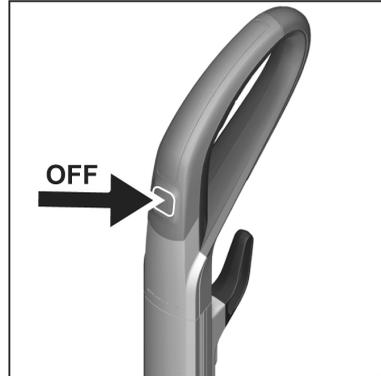


Presione el botón on/off para apagarlo.

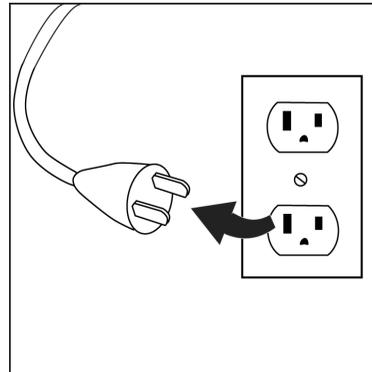
CUIDADO

Al finalizar el trabajo, limpiar el equipo mediante un proceso de enjuague. Véase el capítulo "Limpieza de equipos mediante proceso de enjuague".

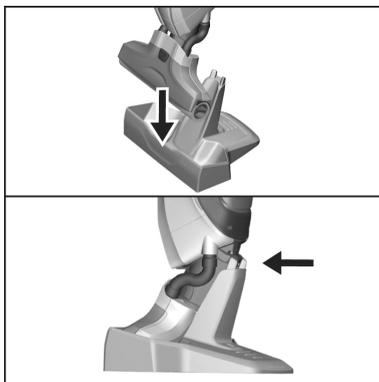
- Presione el botón on/off para apagar el dispositivo.



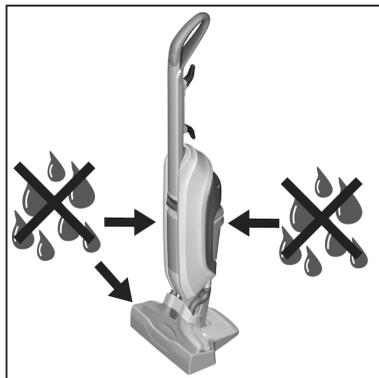
- Desenchúfelo de la corriente.



- Coloque el dispositivo en la estación de almacenamiento.



- Vacíe los depósitos de agua fresca y de agua sucia.



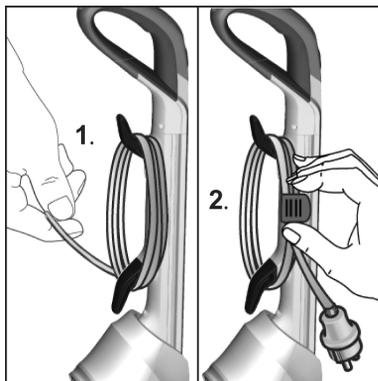
- Vaciado del depósito de agua sucia.
Véase el capítulo "Vaciado del depósito de agua sucia".

Almacenamiento del dispositivo

CUIDADO

Para evitar malos olores, vacíe y aclare los depósitos de agua fresca y de agua sucia antes de almacenar el dispositivo.

- Mueva el dispositivo por la empuñadura y almacénelo en la estación de almacenamiento.
- Guarde el dispositivo resguardado en un lugar fresco y seco.



INSTRUCCIONES DE CONSERVACIÓN Y MANTENIMIENTO

Limpieza del dispositivo

CUIDADO

Cuando haya terminado de utilizarlo, aclare el dispositivo con agua fresca en la estación de almacenamiento.

- Presione el botón on/off para apagar el dispositivo.
- Coloque el dispositivo en la estación de almacenamiento.
- Vacíe todos los líquidos que queden en el depósito de agua fresca.

1 Vaciado del depósito de agua sucia.

Véase el capítulo "Vaciado del depósito de agua sucia".

Vuelva a introducir el depósito de agua sucia.

2 Llene el vaso medidor con 0,2 l (6.7 oz) de agua.

Llene de agua la estación de almacenamiento.

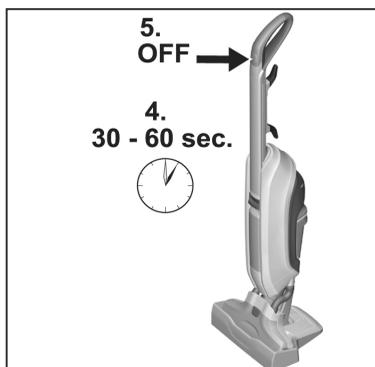
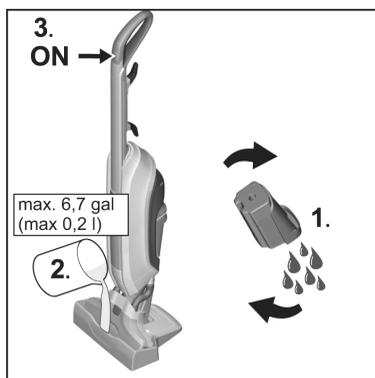
De ser necesario, añada los detergentes de KÄRCHER que sean adecuados.

3 Presione el botón on/off para encender el dispositivo.

4 Deje en marcha el dispositivo entre 30 y 60 segundos hasta que se extraiga toda el agua de la estación de almacenamiento.

El proceso de enjuague ha finalizado.

5 Presione el botón on/off para apagar el dispositivo.



Nota

Deje en marcha el dispositivo para reducir la cantidad de humedad que queda en los rodillos.

- Vacíe los depósitos de agua fresca y de agua sucia. Consulte los capítulos «Vaciado del depósito de agua fresca» o «Vaciado del depósito de agua sucia».
- Desenchúfelo de la corriente.

Limpeza de rodillos

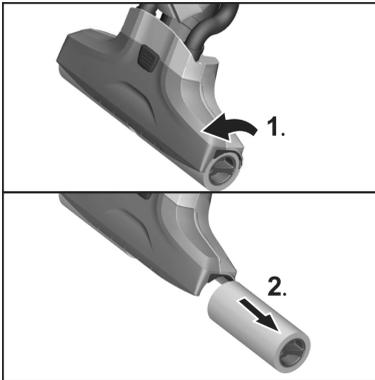
CUIDADO

Para que no se vierta el líquido de los depósitos, vacíe los depósitos de agua limpia y de agua sucia antes de colocar el dispositivo en el suelo.

Nota

En caso de que los rodillos estén demasiado sucios, quítelos del dispositivo y límpielos.

- Presione el botón on/off para apagar el dispositivo.
- Desenchúfelo de la corriente.
- Vacíe los depósitos de agua fresca y de agua sucia. Consulte los capítulos «Vaciado del depósito de agua fresca» y «Vaciado del depósito de agua sucia».
- Saque los rodillos de limpieza.



- Limpie los rodillos con agua corriente.
- o
- Lave los rodillos en un lavavajillas a 60 °C (140 °F).

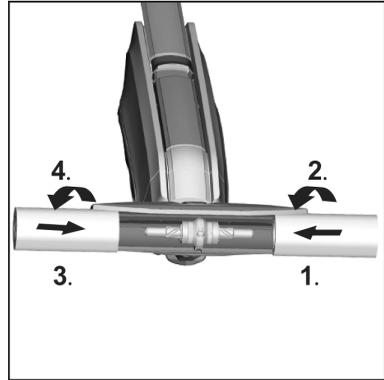
CUIDADO

Para evitar que se produzcan daños en la lavadora, recomendamos colocar los rodillos en una red de lavandería mientras se carga la lavadora con más ropa.

CUIDADO

No los utilice:

- Tras limpiar los rodillos, dejarlos secar al aire.
- Enrosque los rodillos de limpieza en el dispositivo hasta que estén bien sujetos.



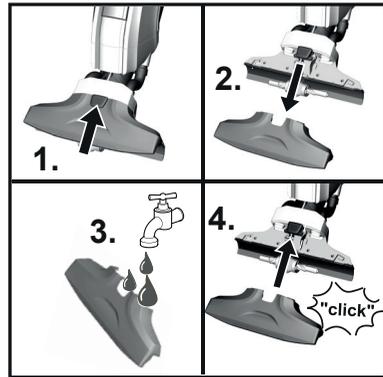
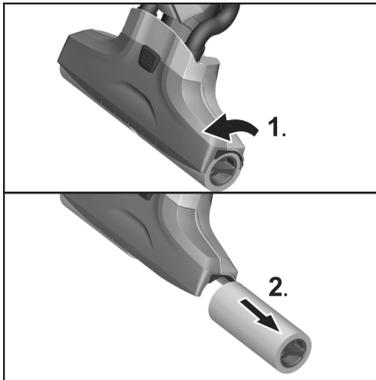
- Junte el rodillo con el soporte correspondiente del mismo color (p. ej., el azul con el azul) y asegúrese de que los rodillos se encuentren bien sujetos.

Limpieza del cabezal de aspiración

CUIDADO

Para evitar problemas de rendimiento, limpie el dispositivo cuando haya restos grandes. Cuando el aparato esté en marcha, estos restos provocarán un golpeteo o bloquearán los conductos de aspiración, lo que reducirá el rendimiento de la aspiración.

- Presione el botón on/off para apagar el dispositivo.
- Desenchúfelo de la corriente.
- Retirar los rodillos de limpieza. Véase el capítulo "Limpieza de rodillos".



Nota

Se debe oír como encaja la cubierta del cabezal de aspiración al fijarla en el cabezal de aspiración.

- Atornille los rodillos de limpieza en la varilla roscada hasta que estén bien sujetos. Véase el capítulo "Limpieza de rodillos".

- 1 Presionar el bloqueo del cabezal de aspiración.
- 2 Desmontar la cubierta del cabezal de aspiración.
- 3 Limpie la cubierta del cabezal de aspiración con agua corriente. De ser necesario, retire las acumulaciones de partículas de los conductos de aspiración y las rendijas de la cubierta del cabezal de aspiración. Limpiar el cabezal de aspiración del equipo con un paño húmedo.
- 4 Fijar la cubierta del cabezal de aspiración al cabezal de aspiración.

Limpieza del depósito de agua sucia

CUIDADO

Limpie con frecuencia el depósito de agua sucia para que no se bloquee el separador y evitar la acumulación de suciedad en el depósito.

- Presione el botón on/off para apagar el dispositivo.
- Coloque el dispositivo en la estación de almacenamiento.
- Desenchúfelo de la corriente.
- Extraiga el depósito de agua sucia. Véase el capítulo "Vaciado del depósito de agua sucia".



- Limpie el depósito de agua sucia y su tapa y aclárelos con agua corriente.



Nota

El depósito de agua sucia también puede lavarse en el lavavajillas.

- Una vez limpios, coloque la tapa e introduzca el depósito de agua sucia en el dispositivo.

Uso de detergentes

CUIDADO

Los detergentes que contienen lejía, amoníaco u otras sustancias corrosivas no están permitidos para su uso en esta máquina.

El uso de detergentes no autorizados podría dañar el aparato y anular su garantía.

Nota

Añada el detergente KÄRCHER que sea necesario.

- A la hora de dosificar el detergente, siga las instrucciones del fabricante.
- Para evitar la formación de espuma, rellene el depósito de agua fresca con agua y, a continuación, añada detergente.
- Para que no se desborde, deje espacio para el detergente cuando añada el agua.

⚠ **PELIGRO**

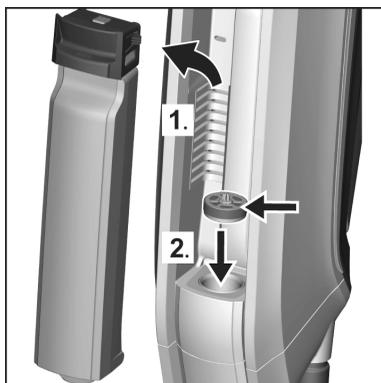
Apague el aparato y desenchufe la clavija de red antes de efectuar los trabajos de cuidado y mantenimiento.

Normalmente, las averías son sencillas y se pueden arreglar siguiendo estas directrices. Si el problema no aparece dentro de este apartado, póngase en contacto con el servicio de atención al cliente.

Los rodillos no se humedecen

Acoplamiento de filtro no colocado.

- ➔ Retirar el depósito de agua fresca y colocar el acoplamiento de filtro con un perno hacia arriba.



El acoplamiento de filtro no se ha introducido correctamente.

- ➔ Retirar el acoplamiento de filtro e introducir hacia arriba con un perno.
- La manguera de aspiración está obstruida.
- ➔ Extraiga con cuidado las mangueras de aspiración del cabezal de aspiración.



- ➔ Colocar las mangueras de aspiración entre 10 y 20 minutos en agua fría.
- ➔ Limpiar las mangueras de aspiración con un objeto obtuso y/o bajo agua corriente.

Extracción de suciedad

No hay agua en el depósito de agua fresca.

- ➔ Llenar el depósito de agua fresca con agua del grifo fría o tibia.
- El depósito de agua fresca no se encuentra correctamente colocado en el equipo.
- ➔ Introduzca el depósito de agua fresca hasta que escuche un clic.
- Faltan rodillos de limpieza o no están correctamente insertados.
- ➔ Introduzca los rodillos de limpieza o gírelos hacia el soporte del rodillo hasta que estén bien sujetos.
- Véase el capítulo "Limpieza de rodillos".

Los rodillos de limpieza están sucios o gastados.

- ➔ Limpiar los rodillos de limpieza.
- o
- ➔ Sustituir los rodillos de limpieza.

Los rodillos no giran

Los rodillos se bloquean.

- ➔ Quite los rodillos y compruebe si hay algún objeto obstruyendo los rodillos.

Véase el capítulo "Limpieza de rodillos".

Fuerte golpeteo al encender el dispositivo.

Los rodillos están demasiado secos.

- Humedezca los rodillos con 0,05 l (1.7 oz) de agua en la estación de almacenamiento.

Véase el capítulo "Comenzar con el trabajo".

Ruido en el cabezal de aspiración.

Presencia de piezas (p. ej. piedras o astillas) en el cabezal de aspiración.

- Extraer la cubierta del cabezal de aspiración y limpiar el cabezal.

Véase el capítulo "Limpieza del cabezal de aspiración".

La potencia de absorción disminuye

Los canales de aspiración y las ranuras del cabezal de aspiración están obstruidos.

- Extraer la cubierta del cabezal de aspiración y limpiar el cabezal.

Véase el capítulo "Limpieza del cabezal de aspiración".

El aparato vierte agua sucia

El depósito de agua sucia está lleno.

- Vacíe el depósito de agua sucia.

Véase el capítulo "Limpieza del depósito de agua sucia".

El depósito de agua sucia no encaja bien.

- Compruebe que la cubierta esté bien colocada en el depósito de agua sucia.

Véase el capítulo "Limpieza del depósito de agua sucia".

El separador está atascado.

- Saque la cubierta del depósito de agua sucia y limpie el separador. Véase el capítulo "Limpieza del depósito de agua sucia".

El filtro del separador del depósito de agua sucia se ha dañado con la limpieza.

- Sustituya el separador.

Presencia de vetas en el suelo

El detergente utilizado no es lo suficientemente eficaz o se ha utilizado de forma incorrecta.

- Utilice únicamente detergentes autorizados por KÄRCHER.

Consulte el capítulo «Uso de detergentes».

- Tener en cuenta la información de dosificación del fabricante.

Humectación inicial de los rodillos.

- Humedecer los rodillos por completo.

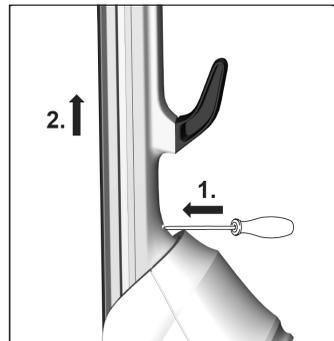
Extracción de la empuñadura del dispositivo

CUIDADO

No extraiga la empuñadura del dispositivo una vez se encuentre montada.

La empuñadura solo se podrá extraer en caso de que se vaya a enviar para realizar tareas de mantenimiento.

- Introduzca un destornillador en un ángulo de 90 grados por una pequeña abertura situada en la parte trasera del dispositivo y tire a la vez de la empuñadura hacia arriba hasta que se desprenda.



CUIDADO

Compruebe que el cable situado entre el cuerpo y la empuñadura no se haya estropeado.

MANUEL OPERATEUR NETTOYEUR DE SOL

CONSIGNES DE SÉCURITÉ IMPORTANTES	43
LIRE TOUTES LES INSTRUCTIONS AVANT D'UTILISER LE PRODUIT	43
CONSERVER CES CONSIGNES	44
GÉNÉRALITÉS	47
INSTRUCTIONS DE MONTAGE	48
MODE D'EMPLOI.	49
INSTRUCTIONS D'ENTRETIEN ET DE MAINTENANCE	57
DÉPANNAGE	61

CONSIGNES DE SÉCURITÉ IMPORTANTES

Respecter, lors de l'utilisation de l'appareil, les précautions de base, y compris les suivantes :

LIRE TOUTES LES INSTRUCTIONS AVANT D'UTILISER LE PRODUIT

**À usage domestique
seulement!**

△ **AVERTISSE- MENT**

Afin de réduire les risques d'incendie, d'électrocution et de blessures, prendre les précautions suivantes :

- **NE PAS LAISSER** l'appareil sans surveillance lorsqu'il est branché. Débrancher l'appareil lorsqu'il n'est pas utilisé et avant de procéder à l'entretien.
- Ne pas laisser l'appareil sous la pluie. Le stocker à l'intérieur.
- Ne pas permettre une utilisation comme jouet. Ne jamais le laisser sans surveillance attentive lorsqu'il est utilisé par ou à proximité d'enfants.
- Respecter impérativement les consignes d'utilisation de ce manuel. Utiliser uniquement les accessoires recommandés par le fabricant.
- Ne pas l'utiliser si le cordon ou la fiche sont endommagés. Si l'appareil ne fonctionne pas correctement, est tombé, endommagé, a été laissé à l'extérieur ou est tombé dans l'eau, veuillez contacter notre groupe de service à la clientèle en composant le 1-800-537-4129. Sélectionnez les invites pour les services de garantie.
- Les réparations doivent être effectuées uniquement par un technicien autorisé, conformément aux normes de sécurité nationales et locales. Les réparations effectuées par des personnes non qualifiées pourraient causer des blessures ou endommager l'appareil.
- La tension indiquée sur la plaque signalétique doit correspondre à la tension d'alimentation.
- Ne pas tirer ou porter l'appareil par le cordon, ne pas utiliser le cordon comme une poignée, ne pas coincer le cordon dans une porte fermée, ne pas le tirer sur des bords ou coins acérés. Ne pas rouler l'appareil sur le cordon. Tenir le cordon éloigné de surfaces chauffées.
- Ne pas tirer sur le cordon électrique pour débrancher l'appareil. Pour débrancher, saisir la fiche électrique.
- Ne jamais saisir le câble d'alimentation avec des mains mouillées.
- Faire particulièrement attention lors du nettoyage d'escaliers.
- Désactiver toutes les commandes avant de débrancher l'appareil.

- Ne jamais remplir de solvant, liquide contenant du solvant, ni d'acide non dilué (p.ex. détergents non approuvés par KÄRCHER, essence, diluant pour peinture et acétone) dans le réservoir d'eau car ces substances font rouiller les matériaux utilisés dans l'appareil.
- Ne pas placer d'objets dans les ouvertures. Ne pas utiliser avec une ouverture bloquée.
- Ne jamais immerger l'appareil dans de l'eau ou un autre liquide.
- Ne jamais utiliser l'appareil dans des bassins contenant de l'eau.
- Ne pas réaliser la maintenance de l'appareil tant qu'il est branché.
- Ne pas nettoyer au-dessus de prises électriques de sol.
- Assurer la stabilité de l'appareil avant tout travail sur ou avec lui pour éviter les accidents et dommages.
- Veiller à ne pas approcher les cheveux, vêtements larges, doigts ou toute autre partie du corps des orifices et composants mobiles de l'appareil.
- Protéger ses mains lors du nettoyage de la tête d'aspiration en raison du risque de blessures causées par la projection d'objets tranchants (p. ex. éclats).
- Ne pas utiliser l'appareil dans des atmosphères explosives.
- Ne pas obstruer les fentes d'aération sur l'appareil.
- Ne pas remplir le réservoir d'eau propre avec de l'acide acétique, du détartrant, des huiles essentielles ou d'autres substances similaires. Veiller également à ne pas aspirer ces substances.
- Utiliser l'appareil exclusivement sur des sols durs scellés (p.ex. parquet vernis, carrelage émaillé, linoléum).
- Stocker l'appareil à l'intérieur dans un endroit frais et sec.
- Porter l'appareil exclusivement par la poignée de transport.
- Ne pas utiliser l'appareil pour ramasser des objets acérés ou volumineux (p.ex. des tessons, cailloux, pièces de jouets).
- Ne pas utiliser l'appareil pour le nettoyage de tapis ou de moquettes.
- Ne pas utiliser l'appareil sur les aérations de sol des radiateurs à convection. L'appareil ne peut pas absorber l'eau provenant des aérations ci-dessus.
- Ne pas trop remplir le réservoir. Ne pas dépasser le niveau de remplissage maximum.
- N'allumer l'appareil qu'après avoir fixé le réservoir d'eau propre et le bac d'eau sale.
- Ne stockez pas et n'utilisez pas l'appareil à des températures inférieures à 32 ° F (0 ° C).
- Ne pas faire fonctionner l'appareil trop longtemps au même endroit car cela peut endommager le sol.

PROP 65 AVERTISSEMENT



Ce produit peut contenir un ou plusieurs produits chimiques reconnus dans l'état de Californie comme potentiels déclencheurs de cancer, d'anomalies congénitales ou d'autres lésions de l'appareil reproducteur.

Se laver les mains après la manipulation.

**CONSERVER
CES CONSIGNES**

Symboles d'alerte de sécurité

⚠ DANGER

Signale la présence d'un danger imminent entraînant de graves blessures corporelles et pouvant avoir une issue mortelle.

⚠ AVERTISSEMENT

Signale la présence d'une situation éventuellement dangereuse pouvant entraîner de graves blessures corporelles et même avoir une issue mortelle.

⚠ PRÉCAUTION

Remarque relative à une situation potentiellement dangereuse pouvant entraîner des blessures légères.

ATTENTION

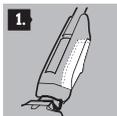
Remarque relative à une situation éventuellement dangereuse pouvant entraîner des dommages matériels.

Symboles sur l'appareil

ATTENTION

Ne pas dépasser la ligne de remplissage MAX sur le bac d'eau sale pour éviter tout débordement.

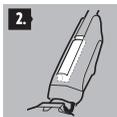
⚠ ATTENTION! Veuillez respecter le procédé suivant :



1.
S'assurer que le bac d'eau sale est vide.



First empty dirt water tank



2.
Remplir le réservoir d'eau propre sans dépasser le niveau MAX pour éviter tout débordement.



Then refill fresh water tank

Utilisation conforme

- Cet appareil est conçu pour le nettoyage de sols durs scellés, pour les utilisations ménagères uniquement.
- Ne pas nettoyer de sols non scellés tels que les sols en liège non traités (l'humidité pourrait pénétrer et endommager le sol).
- L'appareil est adapté pour le nettoyage du PVC, du linoléum, du carrelage, de la pierre, du parquet huilé et ciré, du stratifié et de tous les revêtements de sol scellés.

Toute utilisation sortant du cadre donné est considérée comme non conforme. Le constructeur décline toute responsabilité pour des dommages en résultant, seul l'utilisateur en assume le risque.

Responsabilité du propriétaire/de l'utilisateur

Avant d'utiliser cet appareil, le propriétaire et/ou l'utilisateur doit impérativement avoir pris connaissance des consignes d'utilisation et mises en garde du fabricant.

Il est nécessaire d'insister sur les avertissements et de les comprendre.

Si l'utilisateur ne parle pas couramment l'anglais, l'acheteur/le propriétaire doit lire les consignes et mises en garde du fabricant avec l'utilisateur dans la langue maternelle de ce dernier et s'assurer qu'il en comprend bien le contenu.

Le propriétaire et/ou l'utilisateur doit se familiariser avec les consignes du fabricant et les conserver afin de pouvoir s'y référer ultérieurement.

Service à la clientèle

Enregistrement

Pour obtenir une réponse à toute question ou de l'aide pour tout problème, votre appareil doit être enregistré.

Vous pouvez enregistrer votre appareil sur www.karcher-register.com s'il est situé aux États-Unis, sur www.karcher.ca s'il est situé au Canada, ou sur www.karcher.com/mx s'il est situé au Mexique.

Garantie

Dans le cas d'une réclamation sous garantie, vous pouvez contacter le service à la clientèle. Veuillez utiliser les coordonnées ci-dessous pour les États-Unis, le Canada ou le Mexique. Vous DEVEZ fournir votre preuve d'achat pour déposer une réclamation sous garantie par courriel, téléphone ou fax.

Service à la clientèle — États-Unis

Vous pouvez contacter notre service à la clientèle par téléphone, au **1-800-537-4129**, ou par l'intermédiaire du site web, sous www.karcher-help.com.

Service à la clientèle — Mexique

Vous pouvez contacter notre service à la clientèle par téléphone, au **01-800-024-13-13**, ou par l'intermédiaire du site web, sous www.karcher.com/mx.

Service à la clientèle — Canada

Vous pouvez contacter notre service à la clientèle par téléphone, au **1-800-465-4980**, ou par l'intermédiaire du site web, sous www.karcher.com/ca.

Étendue de la livraison

L'étendue de la livraison de l'appareil est indiquée sur l'emballage. Lors du déballage, vérifiez le contenu pour s'assurer qu'il ne manque rien. Si un accessoire est manquant ou en cas de dommage pendant l'expédition, veuillez en aviser le service à la clientèle aux coordonnées susmentionnées, par téléphone ou par l'intermédiaire du site Web.

Caractéristiques techniques

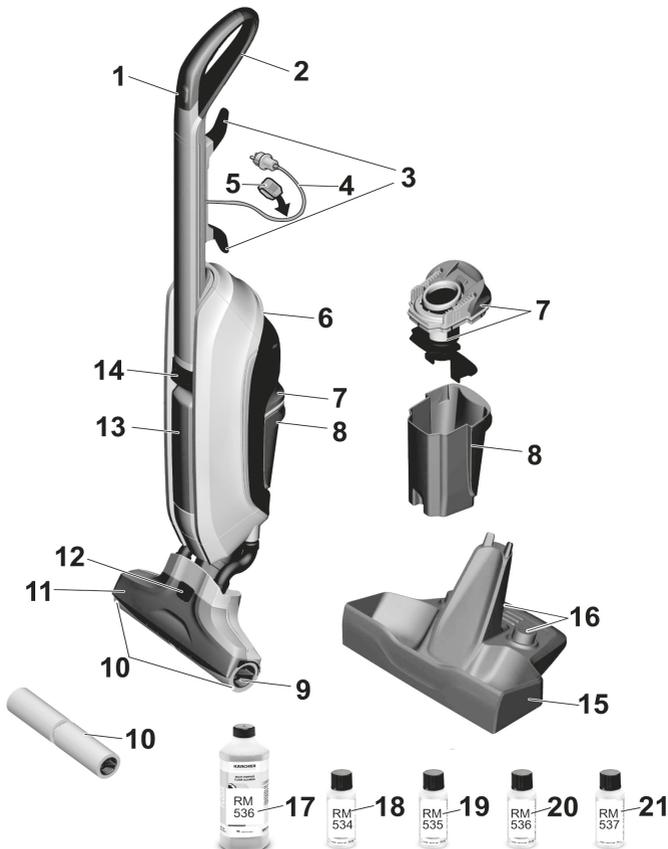
Alimentation électrique

Tension	120 ~60	V Hz
Classe de protection	II	
Degré de protection	IPX4	
Performances		
Puissance absorbée	0.46	kW
Rotations des rouleaux par minute	500	tr/min
Contenance		
Réservoir d'eau propre	13.5 (0.4)	oz l)
Station de nettoyage	6.7 (0.2)	oz l)
Dimensions		
Longueur de câble	25 (7.0)	ft m)
Poids (sans détergent)	11.02 (5.0)	lbs kg)
Longueur	12.60 (320)	in mm)
Largeur	10.63 (270)	in mm)
Hauteur	48.03 (1220)	in mm)
N° de pièce	1.055-407.0 1.055-463.0	

Sous réserve de modifications techniques !

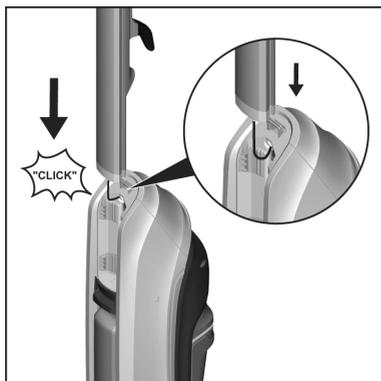
GÉNÉRALITÉS

- | | | | |
|----|--|-------|-----------------------------------|
| 1 | Interrupteur Marche/Arrêt | 13 | Réservoir d'eau propre |
| 2 | Poignée | 14 | Poignée du réservoir d'eau propre |
| 3 | Dégagement du cordon | 15 | Station de rangement |
| 4 | Power Cord | 16 | Rangement des rouleaux |
| 5 | Clip du cordon | | En fonction de l'équipement |
| 6 | Poignée de transport | 17 * | Produit détergent RM 536 500 ml |
| 7 | Couvercle du bac d'eau sale/séparateur | 18 ** | Produit détergent RM 534 30 ml |
| 8 | Réservoir d'eau sale | 19 ** | Produit détergent RM 535 30 ml |
| 9 | Poignée de déclenchement à gâchette de guidage | 20 ** | Produit détergent RM 536 30 ml |
| 10 | Rouleaux de nettoyage | 21 ** | Produit détergent RM 537 30 ml |
| 11 | Capot de la tête d'aspiration | 10 ** | Rouleaux de nettoyage 2 x |
| 12 | Verrouillage de la tête d'aspiration | | * FC 5 |
| | | | ** FC 5 Premium |



INSTRUCTIONS DE MONTAGE

- Insérer la poignée assez loin dans l'appareil de base jusqu'à l'audition d'un clic.



Information générale de fonctionnement

PRÉCAUTION

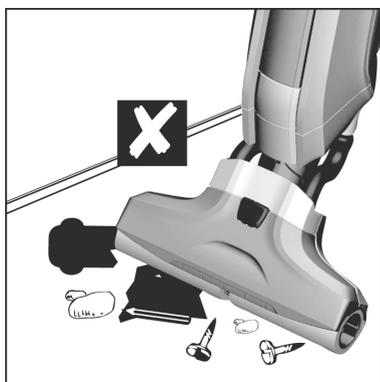
Pour éviter de trébucher sur le cordon, tenir l'appareil d'une main et le cordon de l'autre.

ATTENTION

Utiliser l'appareil exclusivement pour absorber des salissures et des fluides (max. 8.5 oz / 0,25 L).



- Avant le nettoyage, débarrasser le sol des objets volumineux pouvant endommager l'appareil.



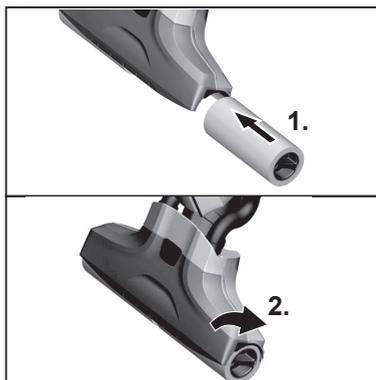
- Contrôler, avant l'utilisation, la résistance à l'eau dans des zones sensibles. Ne pas nettoyer de sols non scellés tels que les sols en liège non traités ou l'humidité pourrait pénétrer en endommageant le sol.
- Maintenir l'appareil à un angle d'environ 60 degrés.
- Nettoyer le sol en déplaçant l'appareil d'avant en arrière, comme un aspirateur, jusqu'à ce que le sol soit propre.

Remarque

- Pour éviter les rayures, testez l'appareil sur un endroit peu visible avant toute utilisation sur des surfaces fragiles, p. ex. bois ou céramique.
- Ne restez pas sur place, mais toujours en mouvement.
- Respectez les consignes du fabricant du revêtement de sol.

Montage des rouleaux

- Visser les rouleaux de nettoyage sur le porte-rouleaux jusqu'en butée.
- Tenir compte de l'affectation des couleurs figurant à l'intérieur des rouleaux et sur le porte-rouleaux de l'appareil (p. ex. le bleu avec le bleu).
- Après le montage, vérifier si les rouleaux de nettoyage sont bien installés.

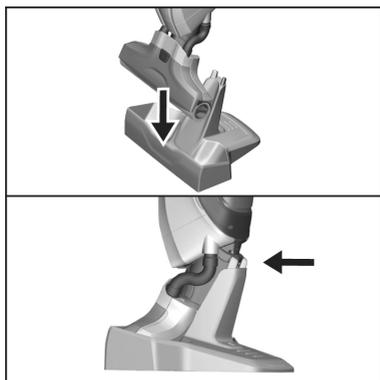


Remplir le réservoir d'eau fraîche

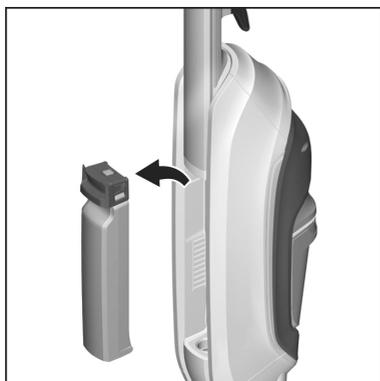
ATTENTION

Ranger l'appareil dans la station de rangement lorsqu'il n'est pas utilisé. Un manque de stabilité peut faire basculer l'appareil, entraîner une fuite et endommager le sol.

→ Ranger l'appareil dans la station de rangement lorsqu'il n'est pas utilisé.



→ Retirer le réservoir d'eau propre.



ATTENTION

* Respecter les instructions de dosage indiquées sur le détergent.

1 Ouvrir le verrouillage du réservoir d'eau propre.

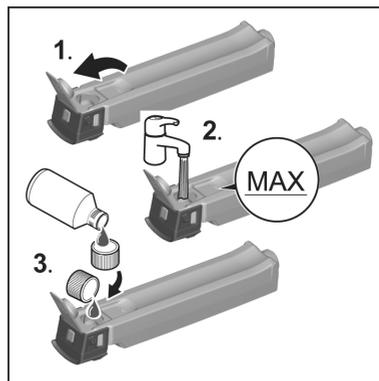
2 Remplir le réservoir d'eau propre avec de l'eau potable froide ou tiède.

Ne pas dépasser la ligne de remplissage « MAX ».

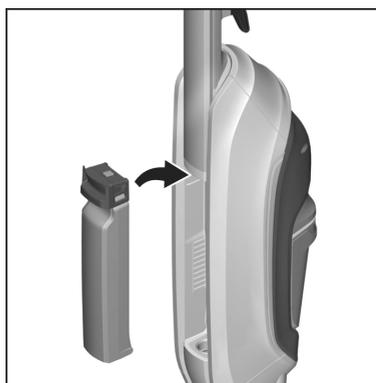
3 Il est possible d'ajouter les détergents KÄRCHER dans le réservoir d'eau propre, si besoin.*

Voir le chapitre Utilisation de détergents.

→ Fermer le couvercle du réservoir.



→ insérer le réservoir d'eau propre jusqu'à entendre un clic.



Fonctionnement de l'appareil

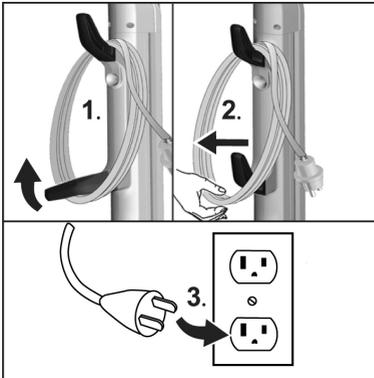
PRÉCAUTION

Les rouleaux de nettoyage commencent à tourner dès la mise sous tension de l'appareil. Maintenir la poignée pour empêcher l'appareil d'avancer de lui-même.

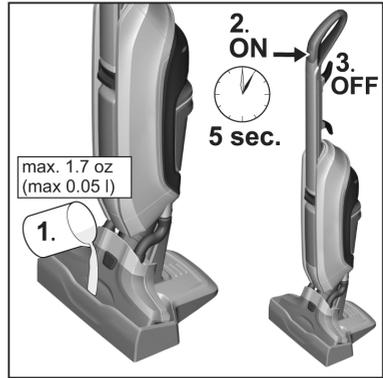
ATTENTION

Ne pas utiliser l'appareil sans eau. S'assurer, avant le fonctionnement, que le réservoir d'eau propre est rempli et que le bac d'eau sale est vide.

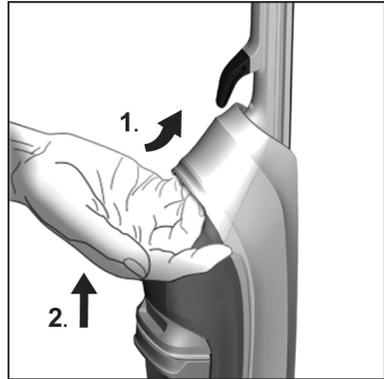
- 1 Retirer le cordon de puissance en faisant pivoter les dégagements de cordon et le brancher dans une sortie.



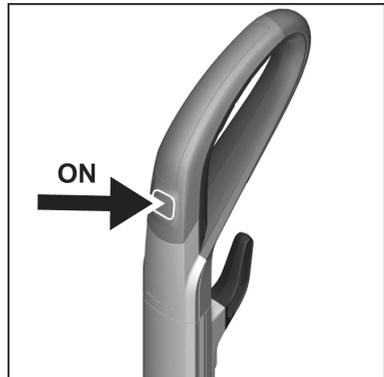
- 1 Pour humidifier plus rapidement les rouleaux, utiliser un gobelet de mesure pour remplir la station de rangement de 1.7 oz (0,05 l) d'eau douce.
- 2 Appuyer sur la touche On/Off pour ALLUMER l'appareil et le placer 5 secondes dans la station de rangement. L'appareil a alors le bon niveau d'humidité pour le nettoyage.
- 3 Appuyer sur la touche on/off pour COUPER l'appareil.



- Retirer l'appareil de la station de rangement et le poser au sol.



- Maintenir fermement l'appareil par la poignée.
- Appuyer sur la touche on/off pour ALLUMER l'appareil.

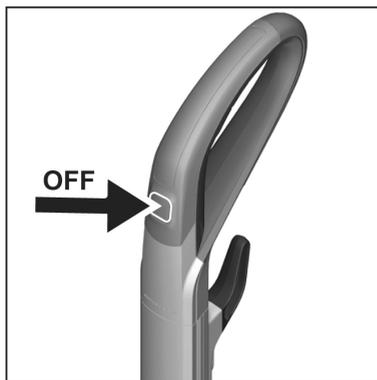


Lorsqu'il n'est pas en fonctionnement

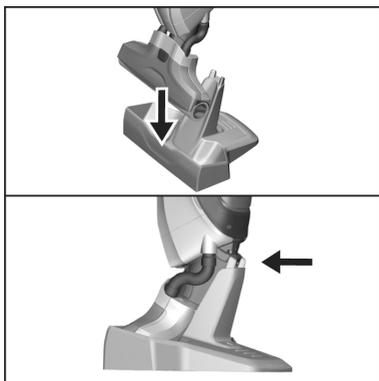
ATTENTION

Ranger l'appareil dans la station de rangement lorsqu'il n'est pas utilisé.
Un manque de stabilité peut faire basculer l'appareil, entraîner une fuite et endommager le sol.

→ Appuyer sur la touche on/off pour COUPER l'appareil.



→ Placer l'appareil dans la station de rangement.



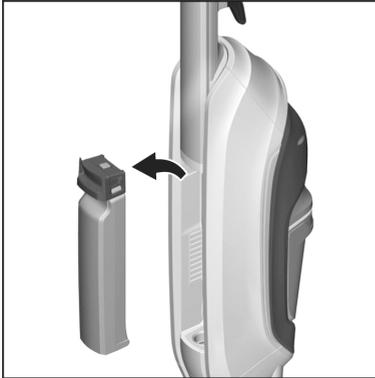
Ajout de détergent

ATTENTION

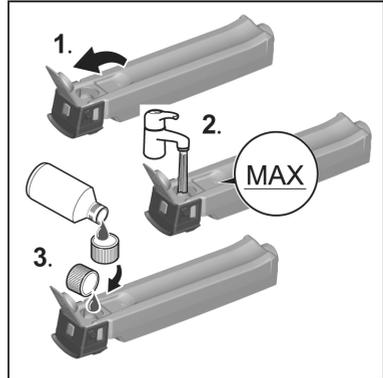
Avant de remplir le réservoir d'eau propre, vider le bac d'eau sale, pour éviter tout débordement.

Cf. le chapitre « Vidage du bac d'eau sale ».

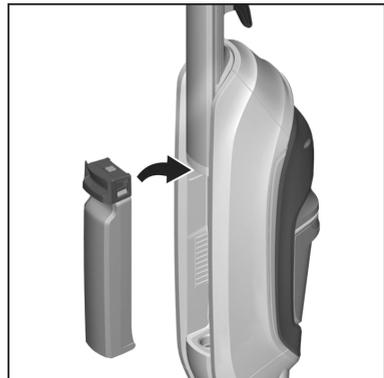
→ Retirer le réservoir d'eau propre.



- 1 Retirer le capuchon de fermeture du réservoir.
- 2 Remplir le réservoir d'eau propre à l'eau potable froide ou tiède. Ne pas dépasser la ligne de remplissage « MAX ».
- 3 Il est possible d'ajouter les détergents KÄRCHER dans le réservoir d'eau propre, si besoin.* Voir le chapitre Utilisation de détergents.



- Fermer le couvercle du réservoir.
→ insérer le réservoir d'eau propre jusqu'à entendre un clic.

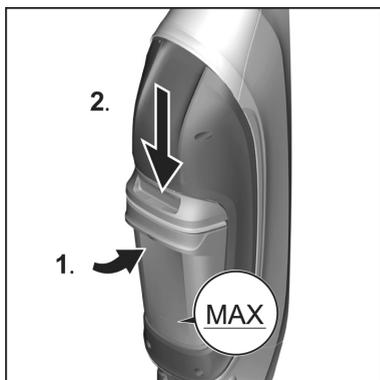


Vidange du réservoir d'eau sale

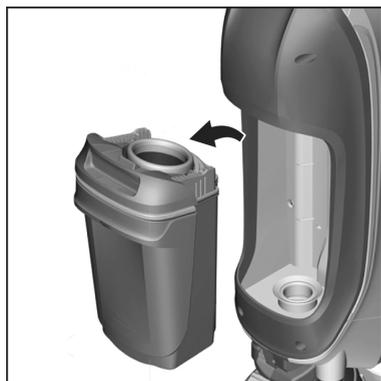
ATTENTION

Une fois le nettoyage terminé, nettoyer l'appareil avec le cycle de rinçage. Voir « Nettoyage de l'appareil »

→ Pour retirer le bac d'eau sale, appuyer sur le couvercle supérieur en le tirant.



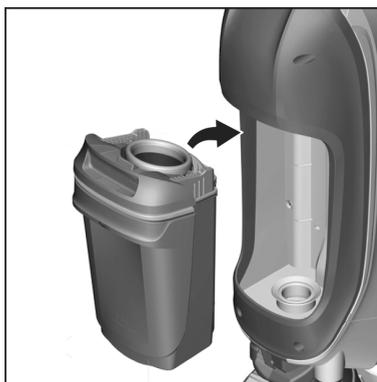
→ Enlever le bac d'eau sale.



- 1 Retirer le couvercle du bac d'eau sale.
- 2 Vider le bac d'eau sale et le rincer à l'eau potable.
- 3 Pour bloquer le couvercle, le poser sur le bac d'eau sale et le presser jusqu'à ce qu'il s'enclenche.



→ Insérer le bac d'eau sale dans l'appareil jusqu'à ce qu'il s'enclenche.



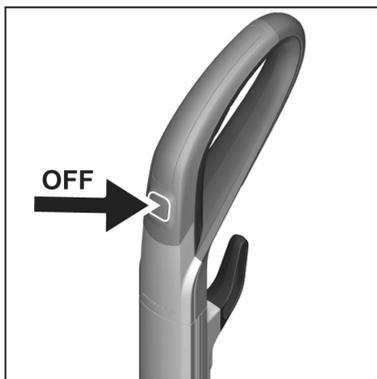
Appuyer sur la touche on/off pour COUPER la puissance.

ATTENTION

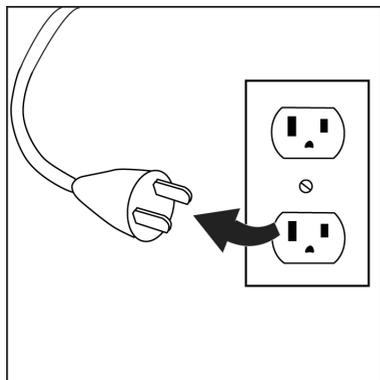
Nettoyage de l'appareil par un processus de rinçage une fois les travaux terminés.

Cf. le chapitre « Nettoyage de l'appareil par un processus rinçage ».

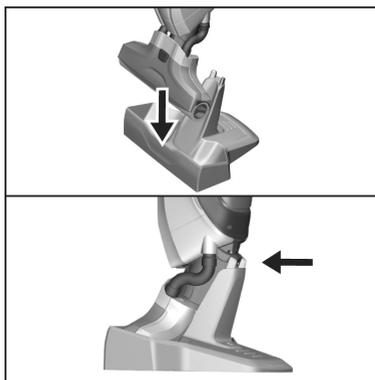
→ Appuyer sur la touche on/off pour COUPER l'appareil.



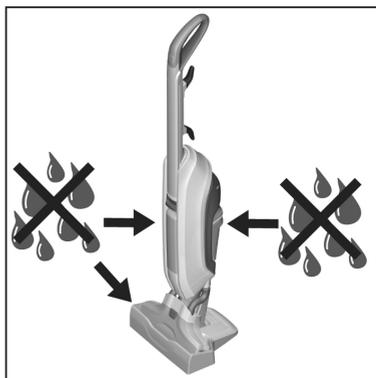
→ Débrancher de la prise.



→ Placer l'appareil dans la station de rangement.



→ Vider le réservoir d'eau propre et le bac d'eau sale.



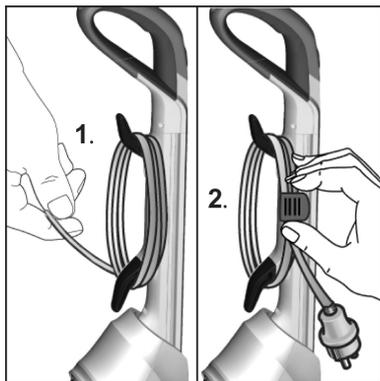
→ Vidange du réservoir d'eau sale. Cf. le chapitre « Vidage du bac d'eau sale ».

Rangement de l'appareil

ATTENTION

Pour éviter les odeurs, vider et rincer l'eau douce et le bac d'eau sale avant le rangement.

- Déplacer l'appareil par la poignée et le ranger dans la station de rangement.
- Stocker l'appareil à l'intérieur à un endroit frais et sec.



INSTRUCTIONS D'ENTRETIEN ET DE MAINTENANCE

Nettoyage de l'appareil

ATTENTION

Rincer l'appareil à l'eau douce dans la station de rangement après son utilisation.

- Appuyer sur la touche on/off pour COUPER l'appareil.
- Placer l'appareil dans la station de rangement.
- Vider le liquide restant dans le réservoir d'eau propre.

1 Vidange du réservoir d'eau sale.

Cf. le chapitre « Vidage du bac d'eau sale ».

Remettre le bac d'eau sale en place.

2 Remplir le gobelet de mesure de 6.7 oz (0,2 l) d'eau.

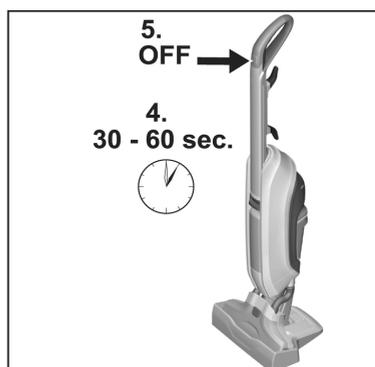
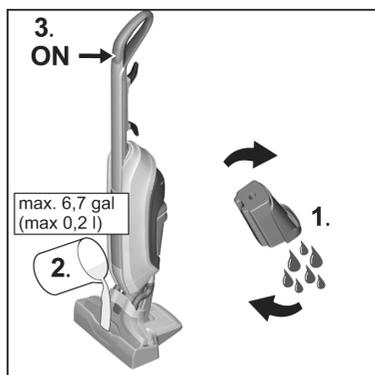
Remplir la station de rangement d'eau.

Si besoin, ajouter des détergents KÄRCHER adaptés

3 Appuyer sur la touche on/off pour ALLUMER l'appareil.

4 Laisser fonctionner l'appareil pendant 30-60 secondes jusqu'à ce que l'eau soit complètement évacuée de la station de rangement. Le processus de rinçage est à présent terminé.

5 Appuyer sur la touche on/off pour COUPER l'appareil.



Remarque

Laisser fonctionner l'appareil pour réduire le taux d'humidité dans les rouleaux.

- Vider le réservoir d'eau propre et le bac d'eau sale. Voir les chapitres « Vider le réservoir d'eau propre » ou « Vider le bac d'eau sale »
- Débrancher de la prise.

Nettoyage des rouleaux

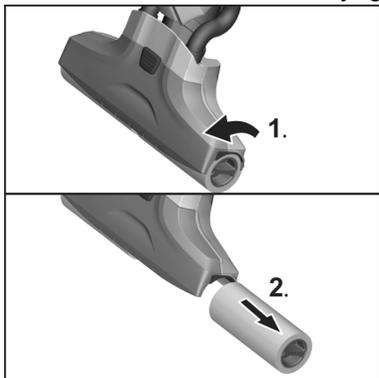
ATTENTION

Pour empêcher les fuites de liquide hors des réservoirs, vider le réservoir d'eau propre et le bac d'eau sale avant de poser l'appareil sur le sol.

Remarque

Si les rouleaux sont très sales, les retirer de l'appareil et les nettoyer.

- Appuyer sur la touche on/off pour COUPER l'appareil.
- Débrancher de la prise.
- Vider le réservoir d'eau propre et le bac d'eau sale. Voir les chapitres « Vider le réservoir d'eau propre » et « Vider le bac d'eau sale »
- Retirer les rouleaux de nettoyage.



- Nettoyer les rouleaux sous l'eau courante.
- ou
- Laver les rouleaux à la machine jusqu'à 140 °F (60 °C).

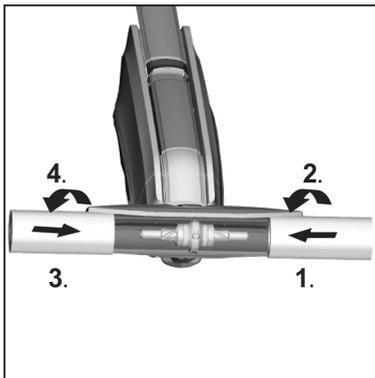
ATTENTION

Pour éviter d'endommager le lave-linge, nous vous recommandons de placer les rouleaux dans un filet à linge et d'ajouter du linge à laver dans la machine.

ATTENTION

Ne pas utiliser :

- Après le nettoyage, laisser les rouleaux sécher à l'air libre.
- Visser les rouleaux de nettoyage à fond



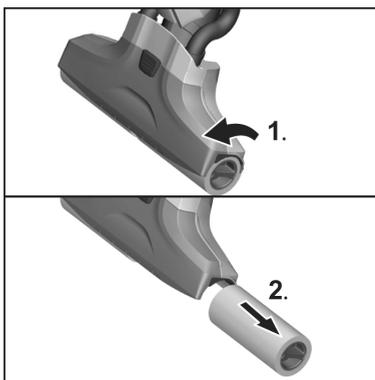
- Respecter les codes couleur entre le rouleau et le manche (p.ex. raccorder le bleu au bleu) et s'assurer que les rouleaux sont bloqués.

Nettoyage de la tête d'aspiration

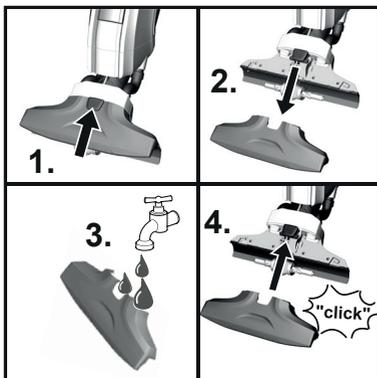
ATTENTION

Pour éviter les problèmes de performance, nettoyer l'appareil en cas de présence de gros résidus. En fonctionnement, ces débris entraîneraient des claquements ou bloqueraient les tuyaux d'aspiration, réduisant ainsi la puissance d'aspiration.

- Appuyer sur la touche on/off pour COUPER l'appareil.
- Débrancher de la prise.
- Retirer les rouleaux de nettoyage. Cf. le chapitre « Nettoyage des rouleaux ».



- 1 Appuyer sur le verrouillage de la tête d'aspiration.
- 2 Retirer le couvercle de la tête d'aspiration.
- 3 Nettoyer le capot de la tête d'aspiration sous l'eau courante.
Si besoin, retirer les dépôts de particules des tuyaux d'aspiration et les fentes dans le capot de la tête d'aspiration.
Nettoyer la tête d'aspiration de l'appareil avec un chiffon humide.
- 4 Fixer le couvercle de la tête d'aspiration sur la tête d'aspiration.



Remarque

Le couvercle de la tête d'aspiration doit s'enclencher audiblement à la tête d'aspiration lors de la fixation.

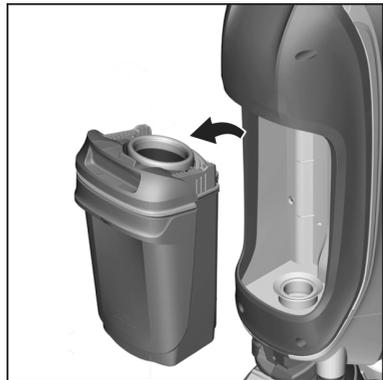
- Visser à fond les rouleaux de nettoyage sur la tige filetée.
Cf. le chapitre « Nettoyage des rouleaux ».

Nettoyage du bac d'eau sale

ATTENTION

Nettoyer régulièrement le bac d'eau sale pour éviter tout blocage vers la séparation et empêcher les salissures de s'accumuler dans le réservoir.

- Appuyer sur la touche on/off pour COUPER l'appareil.
- Placer l'appareil dans la station de rangement.
- Débrancher de la prise.
- Enlever le bac d'eau sale.
Cf. le chapitre « Vidage du bac d'eau sale ».



- Nettoyer le couvercle du bac d'eau sale et du réservoir à l'eau potable.



Remarque

Le bac d'eau sale peut également être nettoyé dans le lave-vaisselle.

- Après le nettoyage, fixer le couvercle et insérer le bac d'eau sale dans l'appareil.

Utilisation de détergents

ATTENTION

Les détergents contenant de l'eau de javel, de l'ammoniac ou d'autres substances corrosives ne sont pas autorisés dans cette machine.

L'utilisation de détergents non adaptés peut endommager le dispositif et annule la garantie.

Remarque

Ajouter des KÄRCHER détergents conformément au besoin.

- Pour doser le détergent, suivre les instructions du fabricant.
- Pour éviter la formation de mousse, remplir le réservoir d'eau propre en eau, puis ajouter le détergent.
- Pour éviter le trop-plein, laisser de la place pour le détergent lors du remplissage en eau.

⚠ **DANGER**

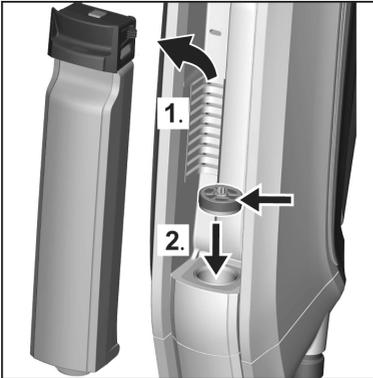
Avant tout travail d'entretien et de maintenance, mettre l'appareil hors tension et débrancher la fiche secteur.

Les défauts sont souvent simples et peuvent être résolus à l'aide des normes suivantes. Si le défaut n'apparaît pas dans la liste, contacter le service après-vente.

Rouleaux non humides

L'élément filtrant n'a pas été inséré.

- Retirer le réservoir d'eau propre et placer l'élément filtrant avec le pion vers le haut.

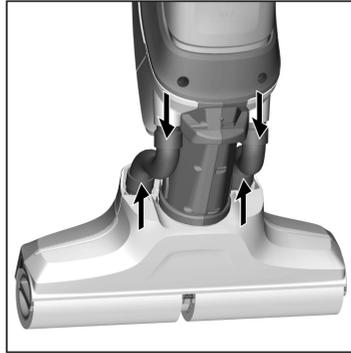


L'insert de filtre est mis en place dans le mauvais sens.

- Retirer l'élément filtrant et le placer avec le pion vers le haut.

Le tuyau d'aspiration est bloqué.

- Retirer avec précaution le tuyau d'aspiration de la tête d'aspiration.



- Mettre les tuyaux d'aspiration dans de l'eau froide pendant 10 à 20 minutes.
- Nettoyer les tuyaux d'aspiration avec un objet contondant et/ou sous l'eau courante.

Pas de retrait des salissures

Manque d'eau dans le réservoir d'eau propre.

- Remplir le réservoir d'eau propre à l'eau potable froide ou tiède.

Le réservoir d'eau propre n'est pas positionné correctement dans l'appareil.

- insérer le réservoir d'eau propre jusqu'à entendre un clic.

Les rouleaux de nettoyage sont absents ou ne sont pas insérés correctement.

- Fixer les rouleaux de nettoyage ou les tourner sur le manche de rouleau jusqu'à ce qu'ils soient fixés. Cf. le chapitre « Nettoyage des rouleaux ».

Les rouleaux de nettoyage sont sales ou usés.

- Nettoyer les rouleaux de nettoyage. ou
- Remplacer les rouleaux de nettoyage.

Les rouleaux ne tournent pas

Les rouleaux sont bloqués.

- Retirer les rouleaux et contrôler si un objet les bloque.

Cf. le chapitre « Nettoyage des rouleaux ».

Claquement fort lors de la mise sous tension

Les rouleaux sont trop secs.

- Humidifier les rouleaux avec 1.7 oz (0,05 l) d'eau dans la station de rangement.

Cf. le chapitre « Commencer le travail ».

Bruit dans la tête d'aspiration

Des pièces (p. ex. cailloux ou éclats) se trouvent dans la tête d'aspiration.

- Retirer le couvercle de la tête d'aspiration et nettoyer la tête d'aspiration.

Cf. le chapitre « Nettoyage de la tête d'aspiration ».

La puissance d'aspiration diminue

Les canaux d'aspiration et les fentes de la tête d'aspiration sont obturés.

- Retirer le couvercle de la tête d'aspiration et nettoyer la tête d'aspiration.

Cf. le chapitre « Nettoyage de la tête d'aspiration ».

Fuite d'eau sale dans le dispositif

Le bac d'eau sale est trop rempli.

- Vider le bac d'eau sale.

Cf. le chapitre « Nettoyage du bac d'eau sale ».

Le bac d'eau sale n'est pas mis correctement en place.

- Contrôler que le capot est bien fixé sur le bac d'eau sale.

Cf. le chapitre « Nettoyage du bac d'eau sale ».

Le séparateur est bouché.

- Retirer le capot du bac d'eau sale et nettoyer la séparation.

Cf. le chapitre « Nettoyage du bac d'eau sale ».

Le filet filtrant du séparateur du bac d'eau sale a été endommagé lors du nettoyage.

- Remplacer la séparation.

Traces au sol

Le détergent utilisé n'est pas efficace ou mal utilisé.

- Utiliser exclusivement les détergents autorisés par KÄRCHER. Voir le chapitre « Utilisation de détergents ».

- Tenir compte des recommandations de dosage du fabricant.

Première humidification des rouleaux.

- Humidifier entièrement les rouleaux.

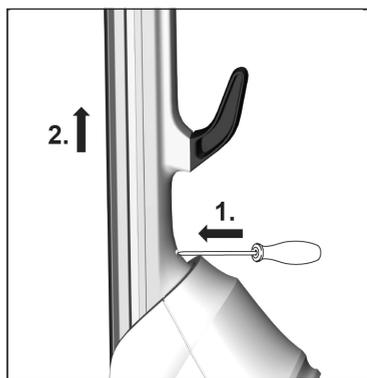
Retrait de la poignée de l'appareil

ATTENTION

Ne pas retirer la poignée de l'appareil lorsqu'il est assemblé.

La poignée ne peut être retirée que pour le transport.

- Insérer un tournevis à un angle de 90 degrés dans la petite ouverture à l'arrière de l'appareil tout en tirant la poignée jusqu'à ce qu'elle sorte.



ATTENTION

S'assurer que le cordon entre le corps et la poignée ne soit pas endommagé.



THANK YOU!

MERCI! ¡GRACIAS!



Register your product and benefit from many advantages.

Enregistrer votre produit et bénéficier de nombreux avantages.

Registre su producto y aproveche de muchas ventajas.

www.kaercher.com/welcome



Rate your product and tell us your opinion.

Évaluer votre produit et donner votre opinion.

Reseñe su producto y díganos su opinión.



Kärcher North America Inc.,

6398 N. Kärcher Way

Aurora, CO 80019

Tel: 1-800-537-4129

Kärcher Canada Inc.,

275 Pendant Drive, Mississauga,

Ontario L5T 2SW9

Tel: +1-800-465-4980

Kärcher México S.A. de C.V.,

Circuito Poetas 68.

Col Ciudad Satélite, Naucalpan de Juárez,

Estado de México C.P. 53100, México

Tel: +52-55-2629-4900



www.kaercher.com/service