



**TRANQUILO**  
**DEPOT**

**ADIRONDACK CHAIR**

# OWNER'S MANUAL & INSTALLATION GUIDE



Please make sure to follow the instructions carefully and use the product for its intended purpose.

**PLEASE DO NOT RETURN PRODUCT TO STORE**

If you have assembly questions or are missing parts or hardware:

Contact Tranquilo Depot Customer Service

Monday through Friday 9AM-5PM PST

support@tranquilodepot.com ; (786) 625-7677

For assembly videos and more product guides, please visit [youtube.com/tranquilodepot](https://youtube.com/tranquilodepot)



Adirondack Chair Installation Video

# PRIOR TO INSTALLATION

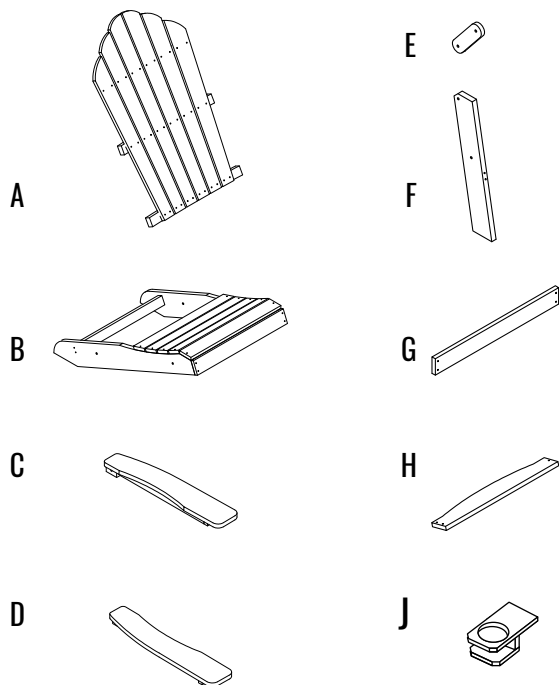
- Please identify and make sure all components and parts are present prior to beginning installation
- If any components or items are missing, please contact us immediately at (786) 625-7677 or at support@tranquilodepot.com
- Carefully remove all the components from the packaging
- Assemble on a soft surface to avoid scratching

**DO NOT OVERTIGHTEN SCREWS. DO NOT EXCEED WEIGHT LIMITATION.**

## WARNINGS

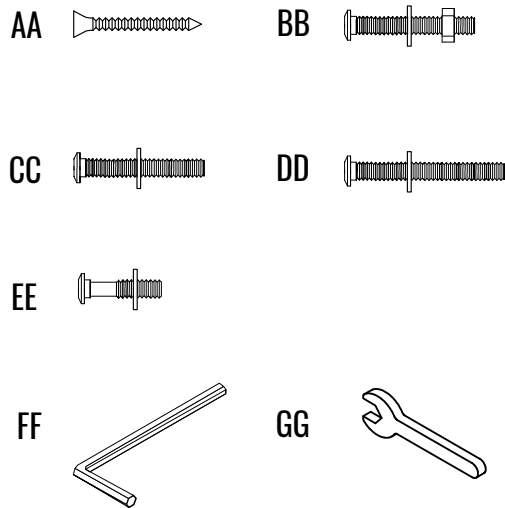
- CHOKING HAZARD-Small parts. Keep children away during assembly.
- Adult assembly is REQUIRED
- Tipping restraint that is provided with the chair must be installed in order to prevent accidental injury, instability, death, or damage due to tipping furniture.
- The tipping restraint is a safety measure and is NOT a substitute for proper adult supervision
- DO NOT ALLOW CHILDREN TO CLIMB ON FURNITURE

# WHAT'S IN THE BOX



NO.	ITEM	QTY
A	BACKREST	1
B	SEAT	1
C	LEFT ARMREST	1
D	RIGHT ARMREST	1
E	HINGE	2
F	FRONT LEGS	2
G	FRONT LEG CROSS BEAM	1
H	REAR SEAT SLAT	1
J	CUPHOLDER	1

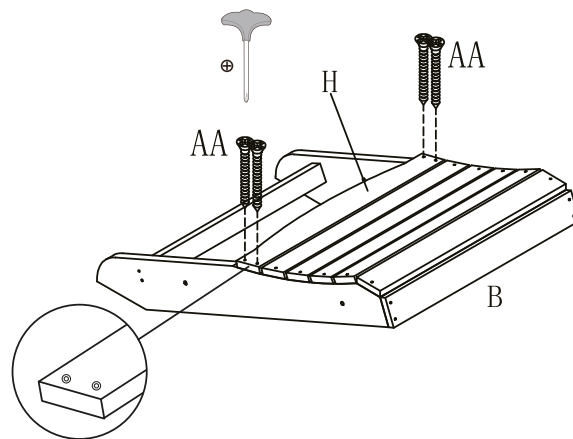
# WHAT'S IN THE BOX



NO.	ITEM	QTY
AA	4*35MM SCREW	8
BB	M6*50MM SCREW WITH BOLT & WASHER	6
CC	M6*50MM SCREW WITH WASHER	2
DD	M6*80MM SCREW WITH WASHER	2
EE	M6*30MM SCREW WITH WASHER	1
FF	ALLEN WRENCH	1
GG	SMALL WRENCH	1

## ASSEMBLY

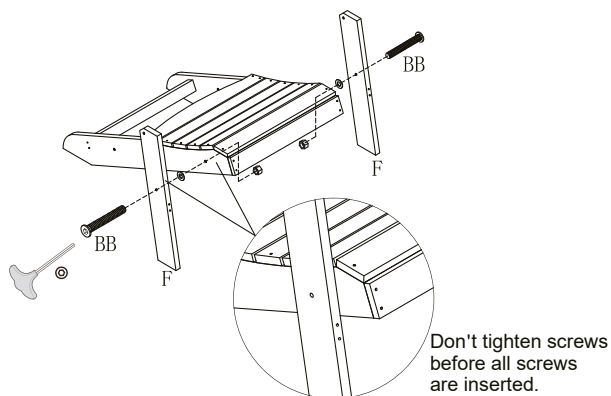
1. Attach the rear seat slat (Part H) to the seat (Part B) with screws (Part AA). Use two screws on each side. Please pay attention to the counterbores.



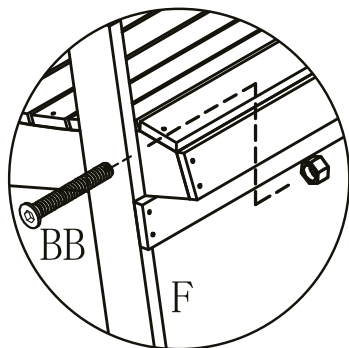
# ASSEMBLY

- 2.** Attach the front legs (Part F) to the seat (Part B) with screws (Part BB).

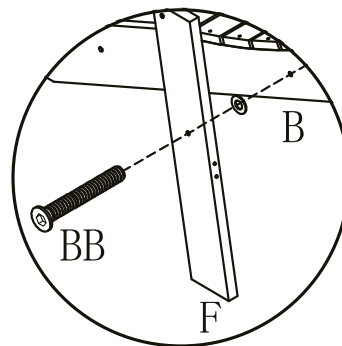
Remove the nut and the washer from the screw.



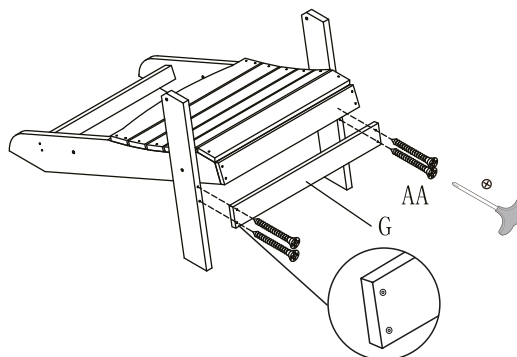
- 4.** Run the screw (Part BB) through the seat (Part B). Secure the screw (Part BB) on the interior using the previously removed bolt. Do NOT tighten until all screws are inserted first.



- 3.** Run the screw (Part BB) ONLY through the front leg (Part F). Once that is done, attach the washer to the interior of the screw so that once installed, it will act as a buffer between the front leg (Part F) and the seat (Part B).

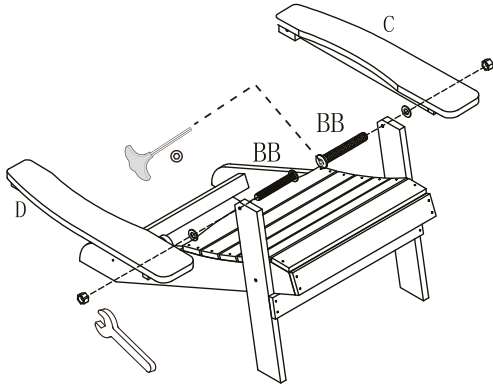


- 5.** Attach the front leg crossbeam (Part G) to the front legs (Part F) with screws (Part AA). Use two screws on each side. Please pay attention to the counterbores.

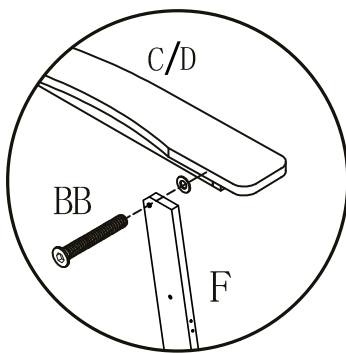


# ASSEMBLY

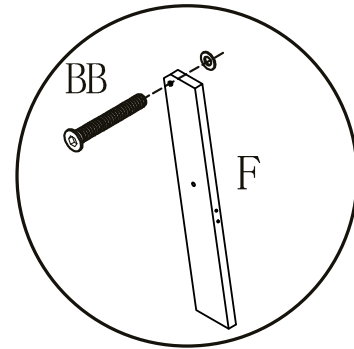
- 6.** Attach the left armrest (Part C) and right armrest (Part D) to the respective front legs (Part F) with screws (Part BB). Remove the nut and washer from the screw.



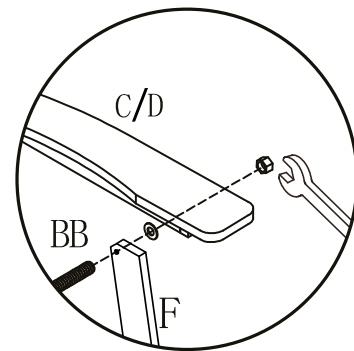
- 8.** Attach the armrest (Part C or Part D) by running the screw (Part BB) with a washer through it.



- 7.** Run the screw (Part BB) through the front leg (Part F). Once that is done, attach the washer to the exterior side of the screw so that once installed, it will act as a buffer between the front leg (Part F) and the armrest (Part C or Part D).

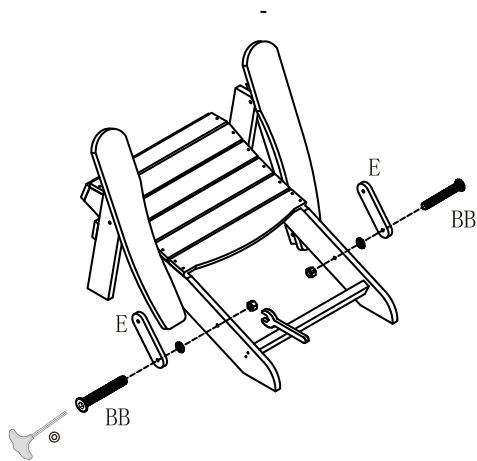


- 9.** Secure the screw (Part BB) using the previously removed bolt.

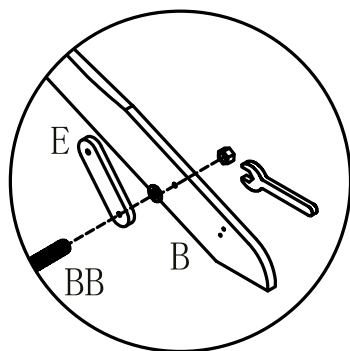


# ASSEMBLY

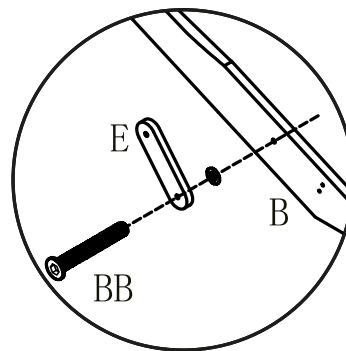
**10.** Attach the hinges (Part E) to the seat (Part B) with a screw (Part BB). Use 1 screw (Part BB) per side. The hinge can be affixed using either hole as the hinge is symmetrical.



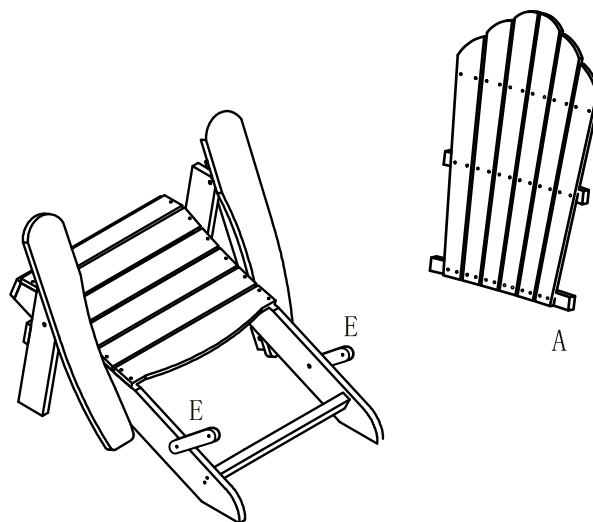
**12.** Secure the screw (Part BB) using the previously removed bolt.



**11.** Run the screw (Part BB) through the seat (Part B). Once that is done, attach the washer to the interior side of the screw so that once installed, it will act as a buffer between the hinge (Part E) and the seat (Part B).

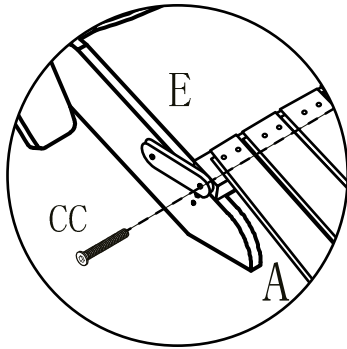


**13.** Angle the position of the hinges (Part E) to make it easier to attach the backrest (Part A).

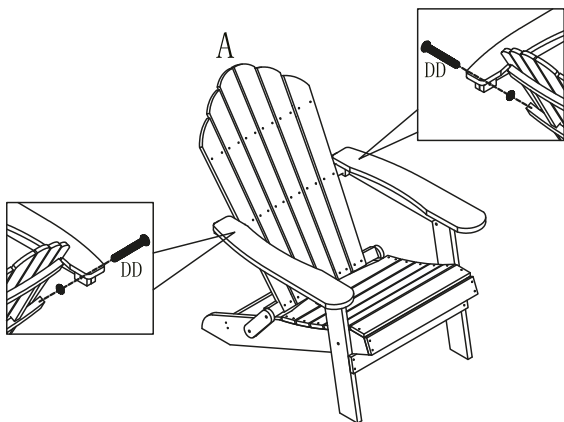


# ASSEMBLY

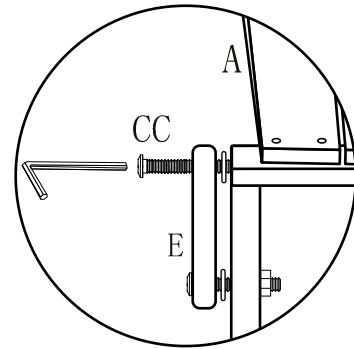
**14.** Take the backrest (Part A) and align it with the holes of the hinges (Part E). Remove the washer from the screw (Part CC).



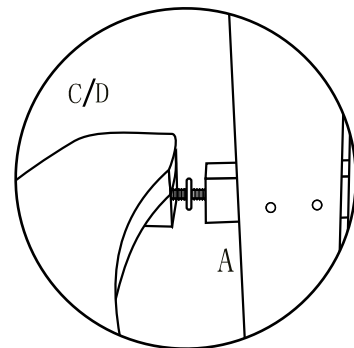
**16.** Align the holes of the armrest (Part C & D) with the holes of the backrest (Part A). Take 1 screw (Part DD) and remove the washer.



**15.** Insert the screw (Part CC) into the hinge (Part E). Attach the washer on the interior side of the screw so that it will act as a buffer between the hinge (Part E) and the backrest (Part A). Use an Allen wrench to tighten the screw into the seat.



**17.** Run the screw (Part DD) through the armrest (Part C & D). Attach the washer on the interior of the screw (Part DD), so that it will act as a buffer between the armrest (Part C/D) and the backrest (Part A). Use an Allen wrench to tighten the screw. Repeat for the other side.

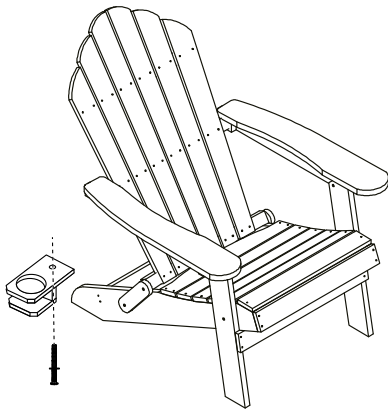


Do NOT overtighten, otherwise it will be tough to fold the chair.

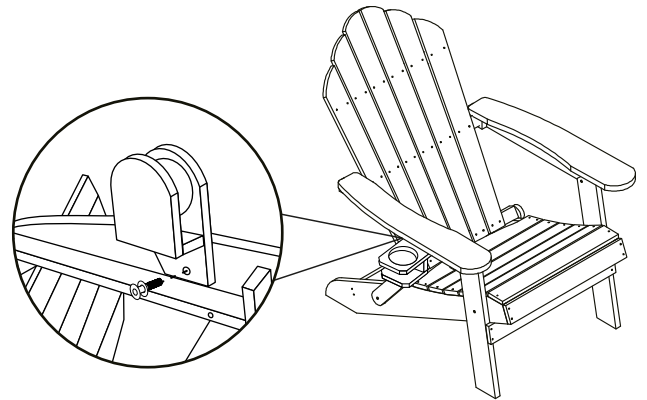
# ASSEMBLY

The adirondack chair comes with a complimentary cup holder. If you would like to install the cup holder, please follow the below steps:

**1.** Take the cupholder (Part J) and 1 screw (Part EE). DO NOT REMOVE THE WASHER.



**2.** Run the screw with the washer (Part EE) through the cupholder and insert it into the underside of the armrest.



**3.** DO NOT TIGHTEN FULLY. It will allow you to angle and move the cupholder to the degree that you wish to set it.

