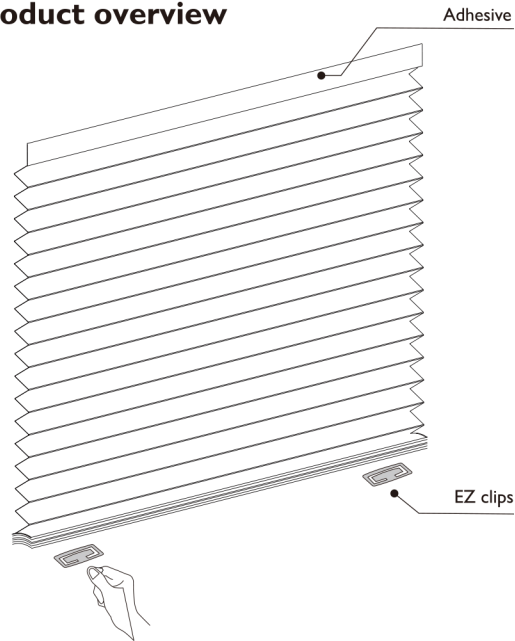


# Temporary Blind

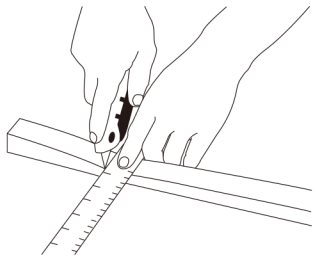
Thank you for purchasing this Temporary Blind. Please read the instructions carefully before use to ensure safe and satisfactory operation of this product. It is recommended that this blind should only be installed by persons competent in DIY.

## Product overview



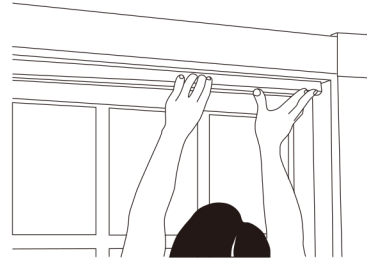
## 1. Trim to fit

Use a utility knife to cut the blind to desired width.



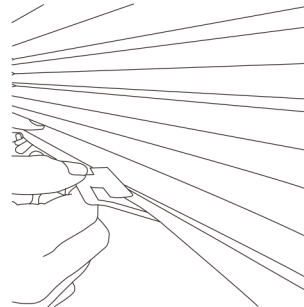
## 2. Installation – just peel and press

Peel paper off the back. Press the adhesive directly onto the clean and dry windowpane or wall surface. Run your finger or thumb along the mounted edge to ensure an even stick.



## 3. Adjusting

Use the provided EZ clips to hold the blind at your desired length.



## Important notice:

- A. Tape may damage painted or varnished surfaces. Test a small area before installation to ensure your surface will not be damaged.
- B. Not recommended as a permanent blind.

## Care instructions

Not washable.