



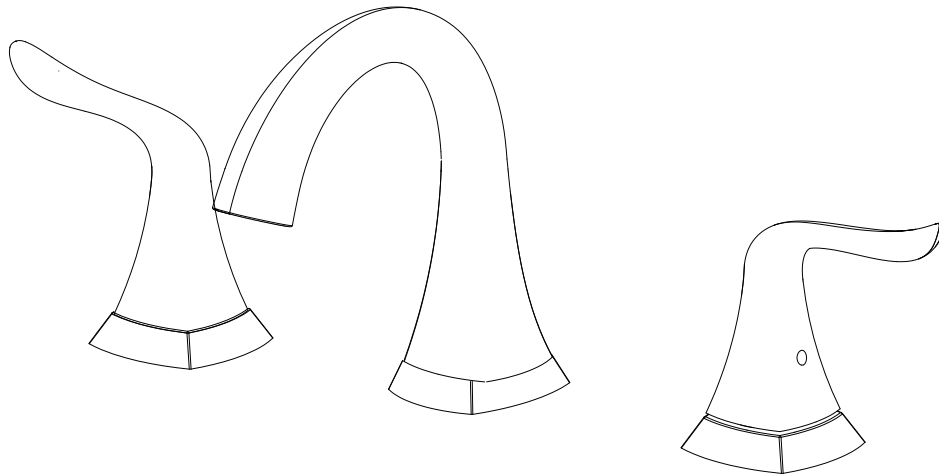
# Scarlett



Widespread Lavatory Bathroom Faucet

### STANDARDS

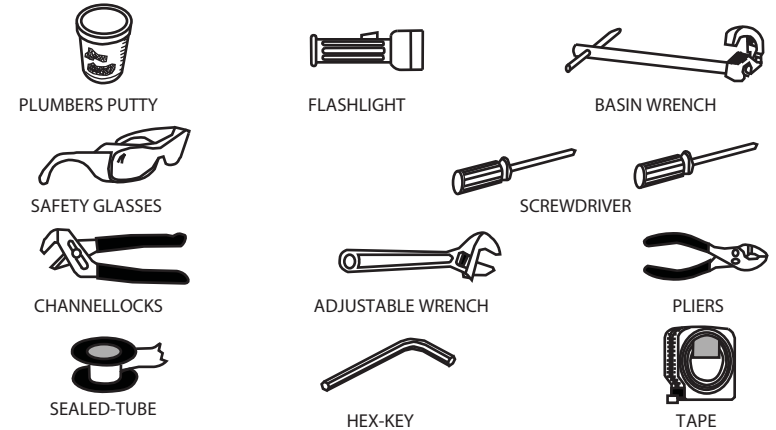
- ASME A112.18.1/CSA B125.1
- ASME A112.18.2/CSA B125.2
- LISTED IAPMO/cUPC
- 1.2 gpm/4.5 L/min



## Helpful Information

### Tools:

Gather the necessary tools as shown below to complete the installation of this faucet. Some may not be needed depending on the model of faucet you are installing. Check with your local hardware store on the requirements of your installation situation.



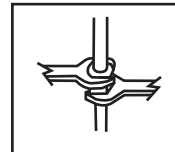
**!** WARNING:  
Please keep the tools for future use!

### Attention:

For easy installation, you will need:

- To read all the installation instructions completely before beginning.
- To read all the warning, attention and maintenance information.
- To purchase the proper supply lines.

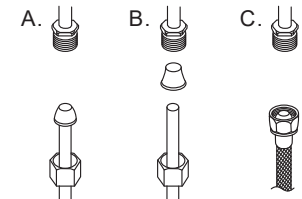
### Important



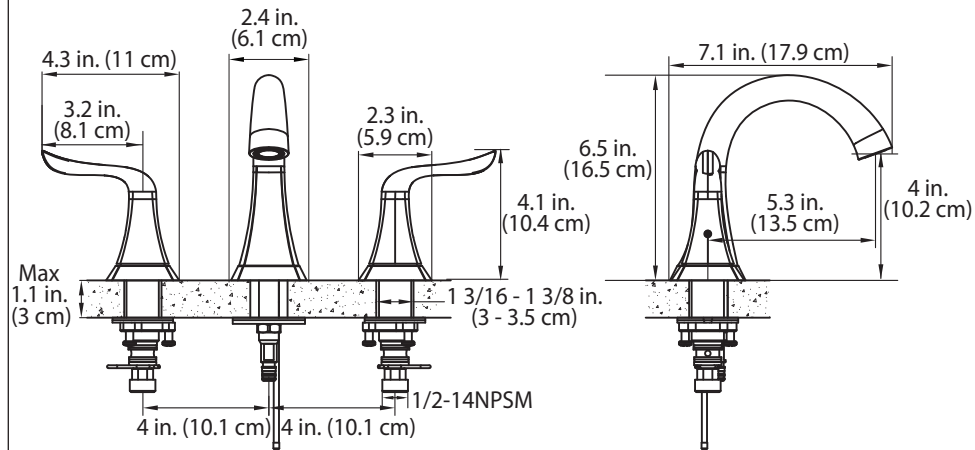
Tighten connection with two wrenches to prevent damage to tube body. Be careful not to bend the stem as this will void the product warranty.

Connect to water supply lines with either:

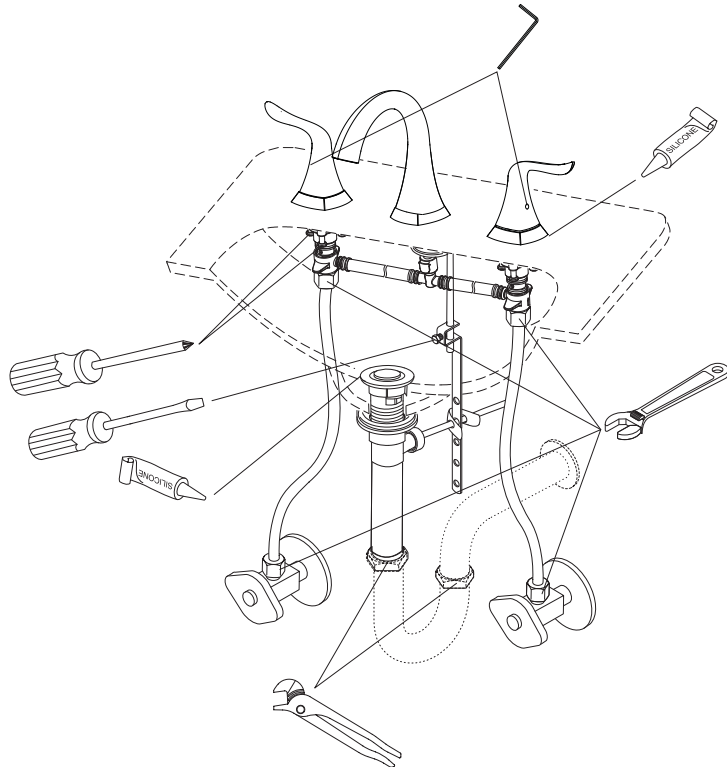
- A) 3/8" O.D.copper tubing (ball nose risers with the coupling nuts or;
- B) 3/8" copper tubing (no ball)with supplied tube head interior connector or;
- C) IPS faucet connectors (1/2" ) .



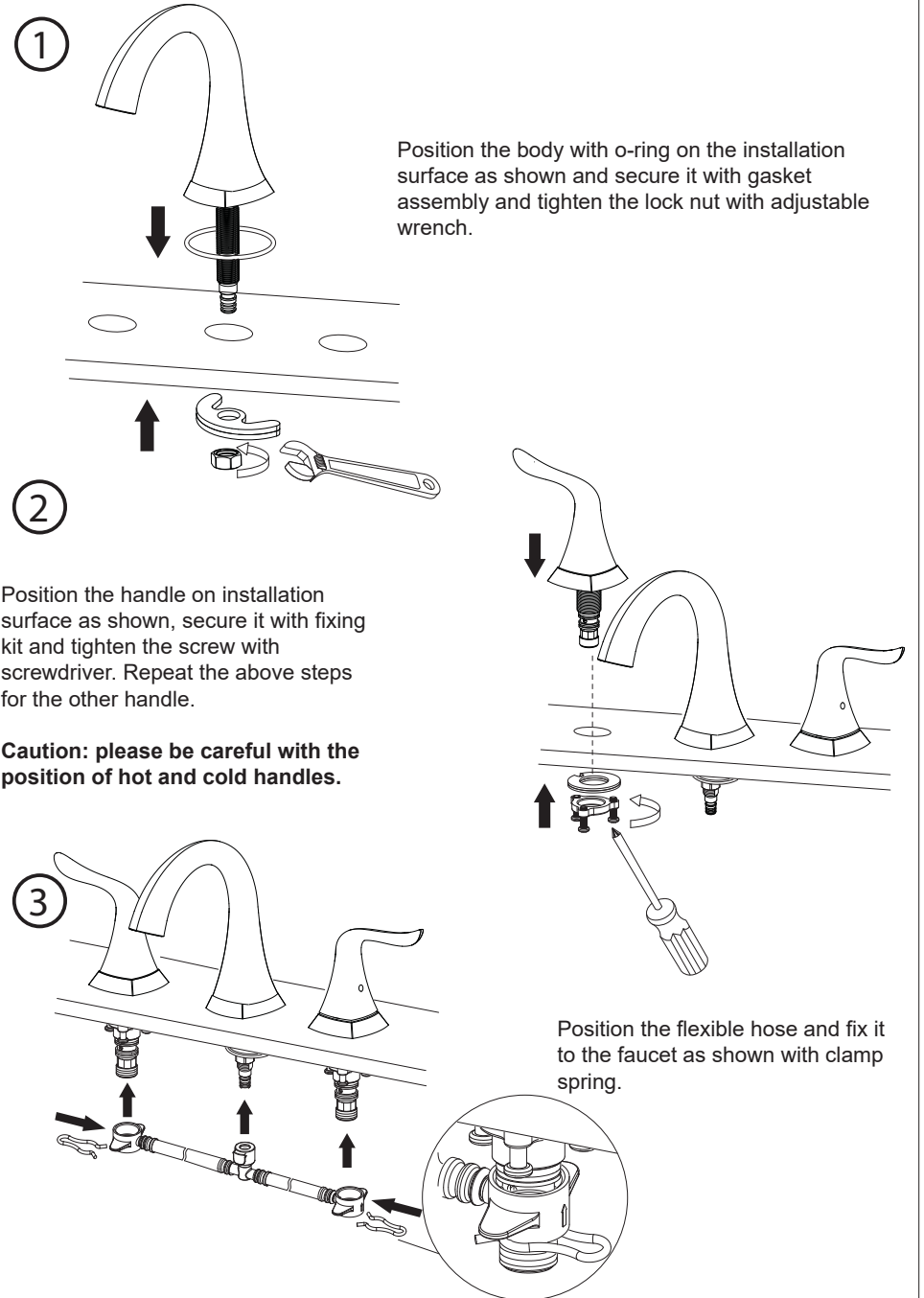
## Installation size map



Tools might be applied to the following places:



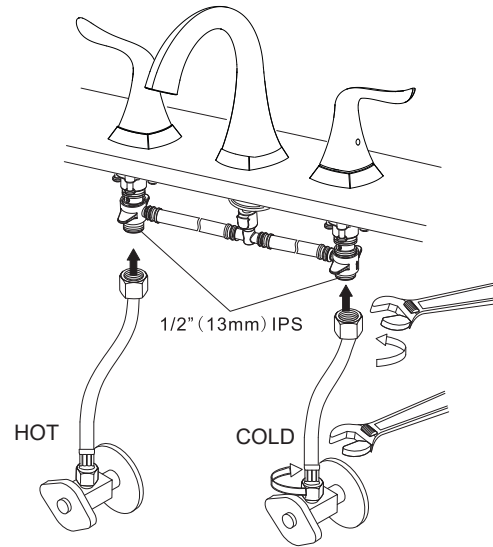
## Faucet Installation



4

Connect the water supply lines to faucet and water supply valves, then tighten it with wrench.

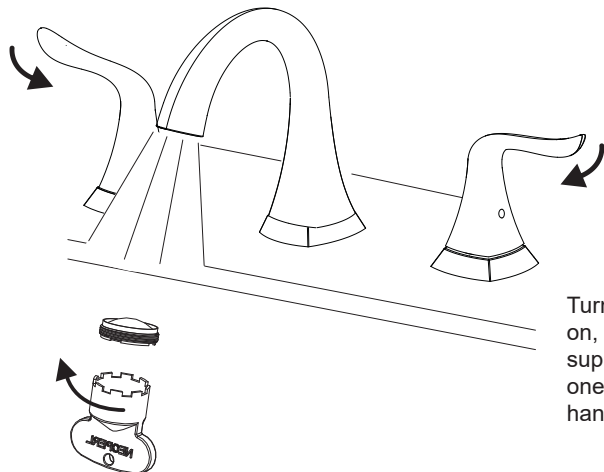
**Warning: The water supply valves mentioned above are not included, please purchase them at your local hardware store.**



**WARNING:  
DON'T OVERTIGHTEN!**

## Checking and Testing

5



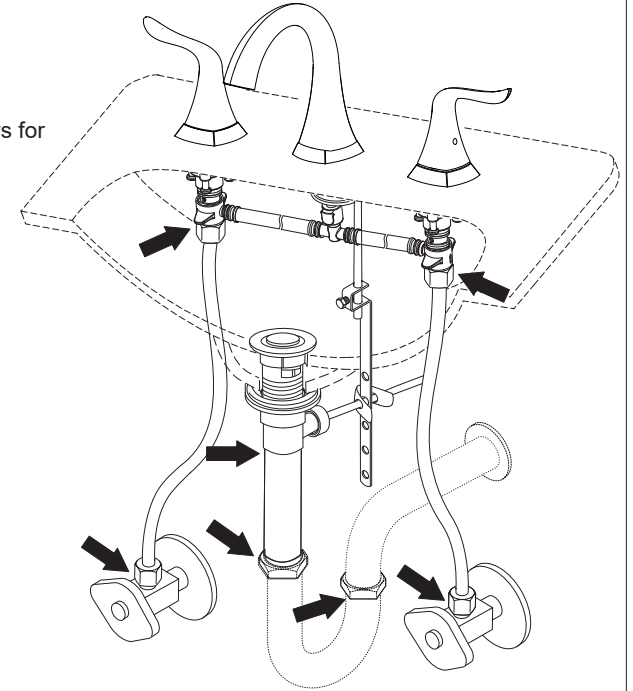
Turn the faucet handle all the way on, turn on hot and cold water supply and flush water lines for one minute. Reinstall aerator by hand.

6

Check all connections at arrows for leaks, retighten if necessary.



**BUT DON'T OVERTIGHTEN**



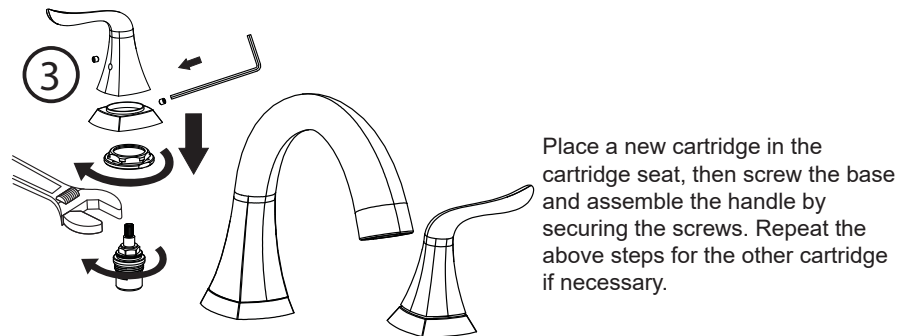
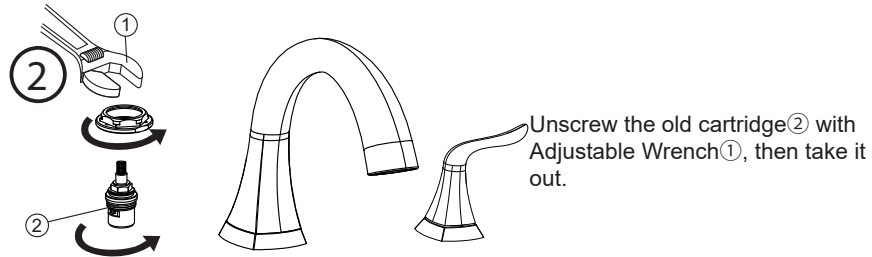
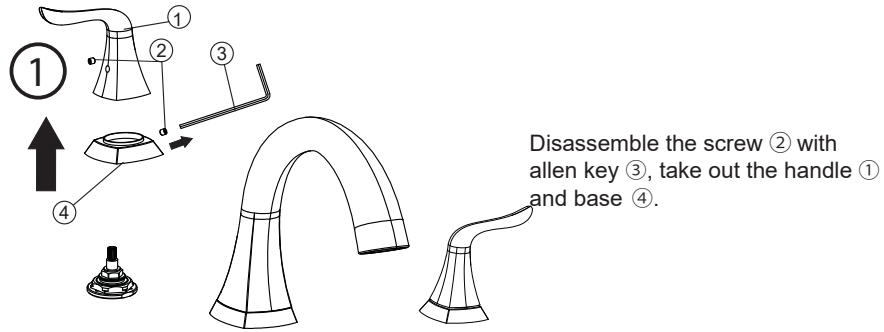
## Cleaning and care

Daily cleaning and care are required in order to keep the product shining and working properly.

- 1 Clean it with water and dry it with soft cloth.
- 2 Clean the product with gentle liquid or glass cleaner.
- 3 Don't use acid cleaner.
- 4 Don't clean with abrasive material, abrasive paper or knife.

## Maintenance

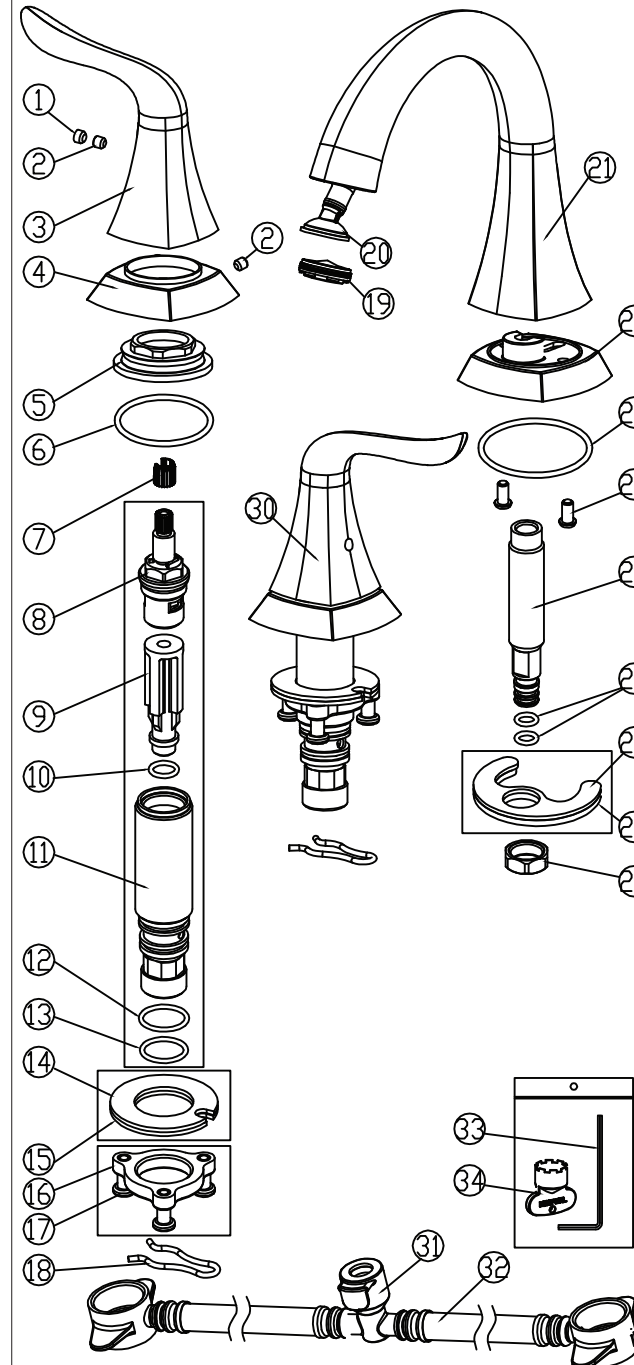
If faucet leaks from the handle or drips from spout, please replace cartridge following the steps:



### Maintenance:

Simply rinse the surface with clear water or mild liquid detergents (if necessary). Dry the faucet with a clean soft cotton cloth. Do not use any cleaning agents containing acids polish abrasives or harsh cleaners.

## Parts list



NO.	PART NAME
1	Screw
2	Screw
3	Handle
4	Handle base
5	Screw nut
6	O-ring
7	Handle spline
8	Cartridge
9	Inlet hose
10	O-ring
11	Inlet tube
12	O-ring
13	O-ring
14	Washer
15	Gasket
16	Screw
17	Screw
18	Clamp spring
19	Aerator
20	Supply line
21	Spout body
22	Spout base
23	O-ring
24	Screw
25	Inlet hose
26	O-ring
27	Washer
28	Gasket
29	Screw nut
30	Cartridge
31	Clamp spring
32	Connect hose
33	Allen key
34	Aerator wrench