



Valencia



Single Handle Pull-out Bathroom Faucet

• **STANDARDS**

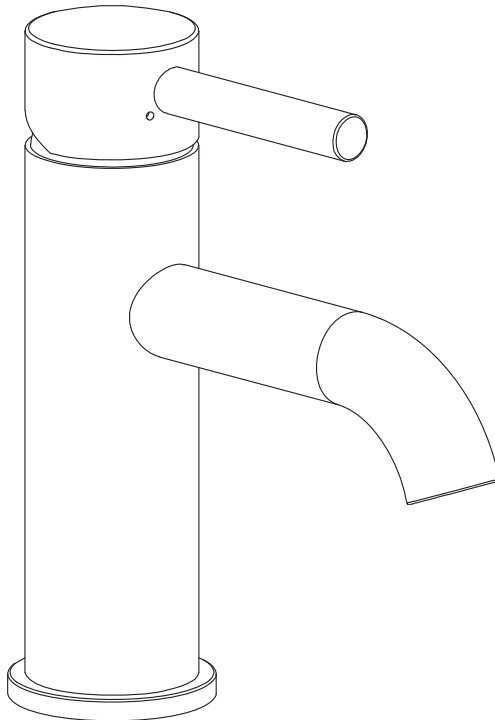
ASME A112.18.1-2012

CSA B125.1-12

NSF 61-9

LISTED IAPMO/cUPC

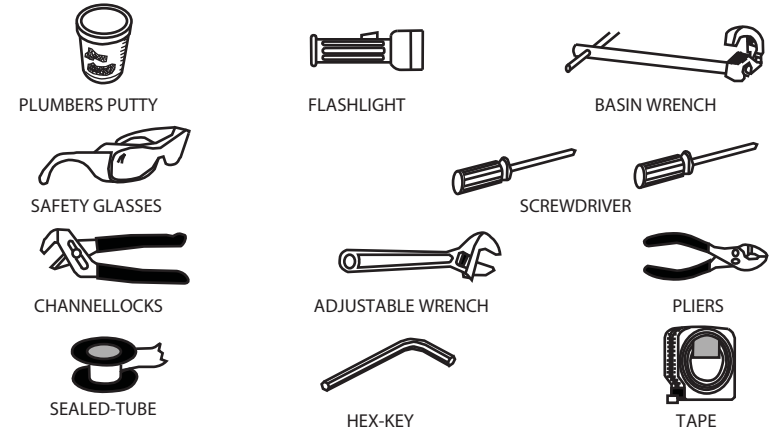
- 1.2 gpm/4.5 L/min



Helpful Information

Tools:

Gather the necessary tools as shown below to complete the installation of this faucet. Some may not be needed depending on the model of faucet you are installing. Check with your local hardware store on the requirements of your installation situation.

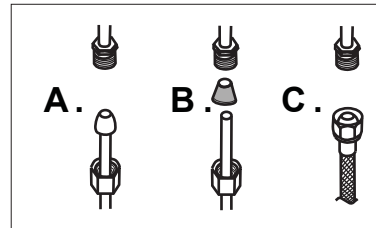


! WARNING:
Please keep the tools for future use!

For easy installation, you will need:

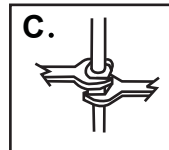
- To read all the installation instructions completely before beginning.
- To read all the warning, attention and maintenance information.
- To purchase the proper supply lines.

Configuration



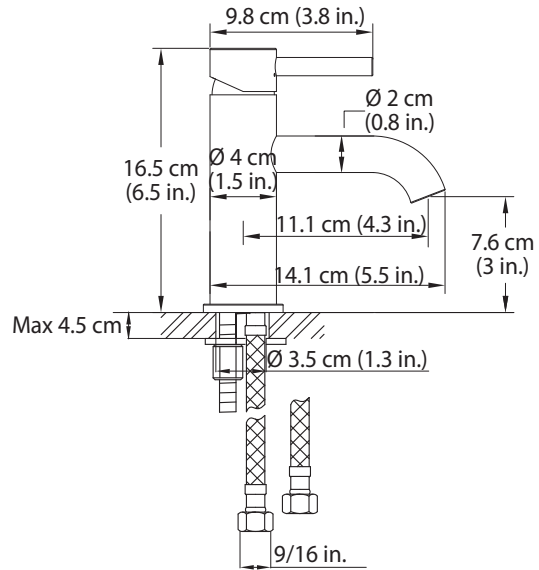
Connect to water supply lines with either:
(A) 3/8" O.D.copper tubing (ball nose risers with the coupling nuts or;
(B) 3/8" copper tubing (no ball)with supplied tube head interior connector or;
(C) IPS faucet connectors (1/2") .

Important



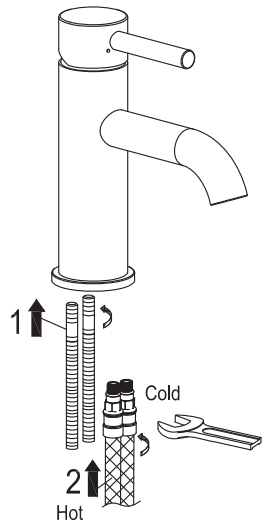
Tighten connection with two wrench to prevent damage to tube body.
Be careful not to bend the stem as this will void the product warranty

Installation size map



Faucet Installation

①

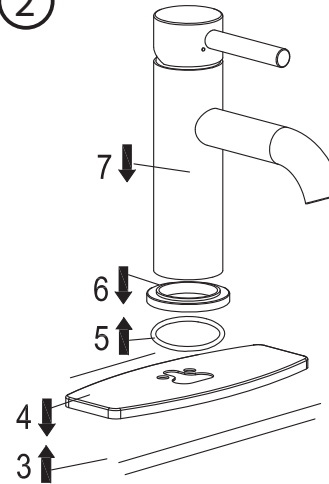


Preparation: Turn off water supplies and drain water lines. Clean installation site and remove any debris from the area.

Step 1: Connect Supply Hoses:
 A. Screw supply hoses and into base of faucet body.
 B. Screw in steel post into base of faucet body.

Faucet Installation

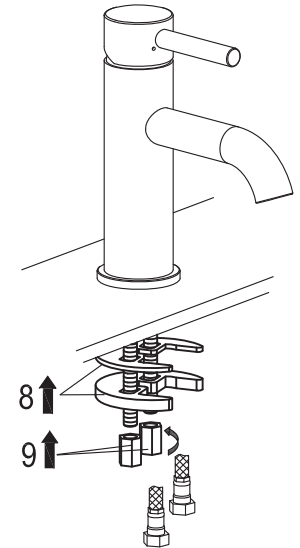
②



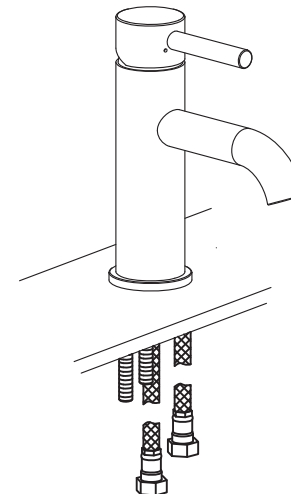
Step 2: Secure Spout Body in place:
 C. Insert black rubber ring into the metal ring.
 D. Insert the metal ring in between bottom of faucet body and sink deck hole.
 E. Insert faucet body through sink deck hole.

③

Step 3: Insert Rubber and Metal washers:
 F. Slide black rubber washer and metal washer over steel post, so that they fit around supply hoses.
 G. Insert nut onto steel post.

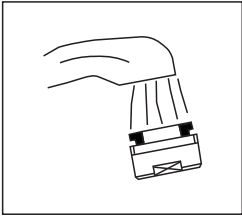


④



Step 4: Securing all connections:
 H. Connect supply hoses to main water supply.
 I. Ensure all connections are tight to avoid potential leakage.

Test Faucet Installation



- A. Move handle into "OFF" position.
- B. Turn on water supplies. Check connections for leaks.
- C. Remove aerator and let both hot and cold water run for one minute. This will help clean any debris that might otherwise clog the system. Replace aerator.
- D. Operate handle up and down, in cold and hot positions, to flush water lines thoroughly

Maintenance:

Simply rinse the surface with clear water or mild liquid detergents (if necessary) Dry the faucet with a clean soft cotton cloth. Do not use any cleaning agents containing acids, polish abrasives, or harsh cleaners.

Cleaning and care

Daily cleaning and care are required in order to keep the product shining and working properly.

1. Clean it with water and dry it with soft cloth.
2. Clean the product with gentle liquid or glass cleaner.
3. Don't use acid cleaner.
4. Don't clean with abrasive material, abrasive paper or knife.



Ensure hoses are tightly screwed in position as they may move during transportation and installation.



Assurez-vous de bien serrer les embouts de chaque Tuyau car ils peuvent se dévisser lors du transport – bien valider après l'installation aussi

