

FEATURES

- TORNADO FLUSH® system, ultra high-efficiency (1.0 GPF/3.8 LPF)
- CEFIONTECT® ceramic glaze prevents debris and mold from sticking to ceramic surfaces
- Specially designed to accommodate a WASHLET®+
- Completely skirted design for a sleek and understated look that's easier to clean
- Universal Height
- Elongated front bowl and seat
- 12" Rough-in
- Chrome plated trip lever

MODELS

- **MS642124CUFG** (#01, #03, #11, #12)
With CEFIONTECT ceramic glaze & includes SS124 SoftClose®
- **MS642124CUF** (#51)
Same as MS642124CUFG without CEFIONTECT ceramic glaze

OPTIONAL COMPONENTS

- **TSU10W.14**
14" Unifit Rough-in
- **THU485#01**
Trip Lever - Cotton
- **THU485#BN**
Trip Lever - Brushed Nickel
- **THU485#PN**
Trip Lever - Polished Nickel

COLORS/FINISHES

- | | |
|----------------------|----------------------|
| • #01 Cotton | Made to Order |
| • #12 Sedona Beige | |
| • #03 Bone | |
| • #11 Colonial White | |
| • #51 Ebony | |

PRODUCT SPECIFICATION

The one-piece ultra high-efficiency TORNADO FLUSH system toilet shall be 1.0 GPF/3.8 LPF. Toilet shall be 12" Unifit rough-in. Toilet shall have optional CEFIONTECT ceramic glaze and be at Universal Height. Toilet shall have elongated front bowl with SoftClose seat and Polished Chrome trip lever. Toilet shall be TOTO Model MS642124CUF____.



1G One Gallon Per Flush

CE CEFIONTECT



TORNADO FLUSH



U Universal Height



SD Skirted Design

CODES/STANDARDS

- Meets or exceeds ASME A112.19.2/CSA B45.1
- Certifications: IAPMO(cUPC), EPA Watersense, State of Massachusetts, City of Los Angeles, and others
- Code compliance: UPC, IPC, NSPC, NPC Canada, and others
- Legislative Compliance: California AB715, California Green Building Code, City of Los Angeles Water Efficiency Ordinance
- ADA compliant (when installed with trip lever located on the approach side)
- Complies with CA Prop 65 warning requirements



MS642124CUF(G)

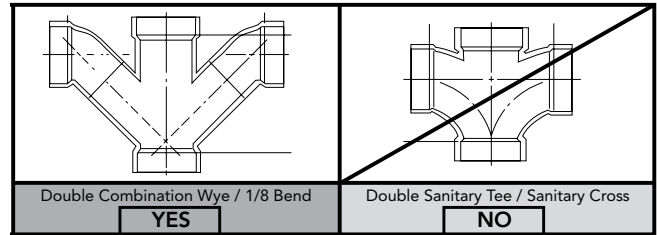
Nexus® 1G® One-Piece Toilet, 1.0 GPF

SPECIFICATIONS

Water Use	1.0 GPF (3.8 LPF)
Flush System	TORNADO FLUSH®
Min. Water Pressure	8 psi (Static)
Water Surface	6-5/8" x 9-1/8"
Trap Diameter	2-1/8"
Rough-in	12" (14" Optional)
Trap Seal	2-1/4"
Warranty	One Year Limited Warranty
Material	Vitreous China
Shipping Weight	117 lbs
Shipping Dimensions	18-1/2"W x 21-3/4" H1 x 27-1/2" H2 x 29-1/2" L

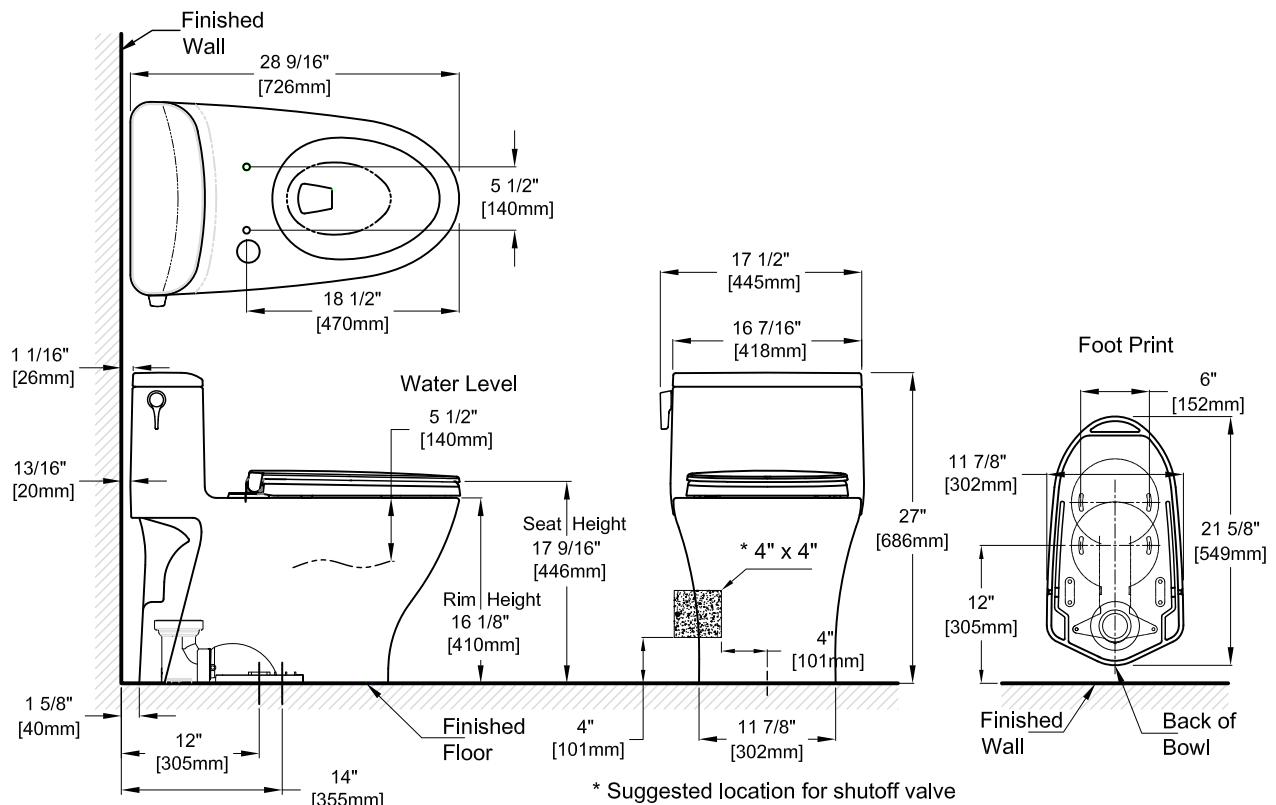
INSTALLATION NOTES

Back-to-Back Toilet Installations:
 TOTO recommends the use of a nationally listed, double sanitary tee-wye only, in vertical waste stacks, in accordance with the stipulations noted in the majority of nationally recognized plumbing codes.



To maintain adequate wall gap between the back of the tank and wall, mount the floor flange at a nominal 12" rough-in distance.

DIMENSIONS



TOTO®

These dimensions and specifications are subject to change without notice