

Hot/Cold Mixing Tee

FEATURES

- Below deck manual mixing valve for conventional temperature adjustment
- 3/8" compression fittings
- Low-lead solid brass construction
- Equipped with integral check valves and debris screens

MODELS

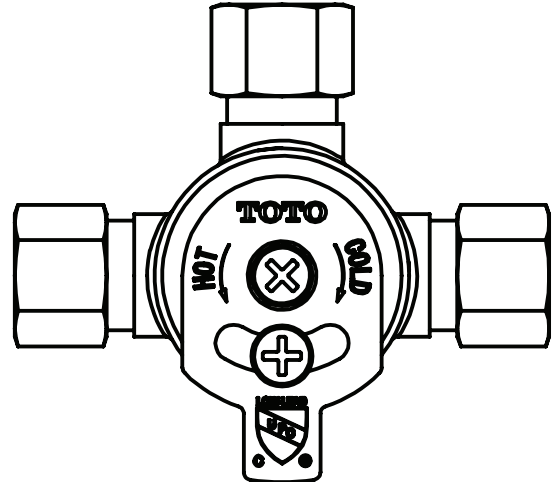
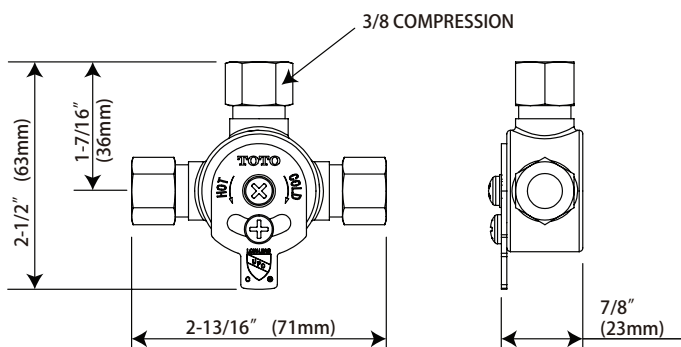
TLM10 Mixing Valve

*included in EcoPower® faucet kits ending with –EM

SPECIFICATIONS

| | |
|--------------------------------|---|
| Water Supply Pressure | Min (Dynamic/Flowing) Pressure: 15 psi (100 kPa) Max (Static) Pressure: 80 psi (551 kPa) |
| Water Supply Connection | 3/8 Compression |
| Ambient Temperature | 32 - 104°F (0 - 40°C) |
| Humidity | Max. 90% RH |
| Warranty | Three years |

CAUTION! This mechanical mixing valve is NOT a temperature limiting device and DOES NOT provide automatic control of outlet water temperature. Hot water in excess of 110°F (43°C) CAN CAUSE SCALDING. Please refer to product manual for detail safety instructions



CODES/STANDARDS

- Meets or exceeds NSF372-2011, ASME A112.18.1-2012/CSA B125.1-12
- Certifications: IAPMO(cUPC), State of Massachusetts, and others
- Complies with Federal and State statutes as low-lead (contains a weighted average of 0.25% lead or less)

